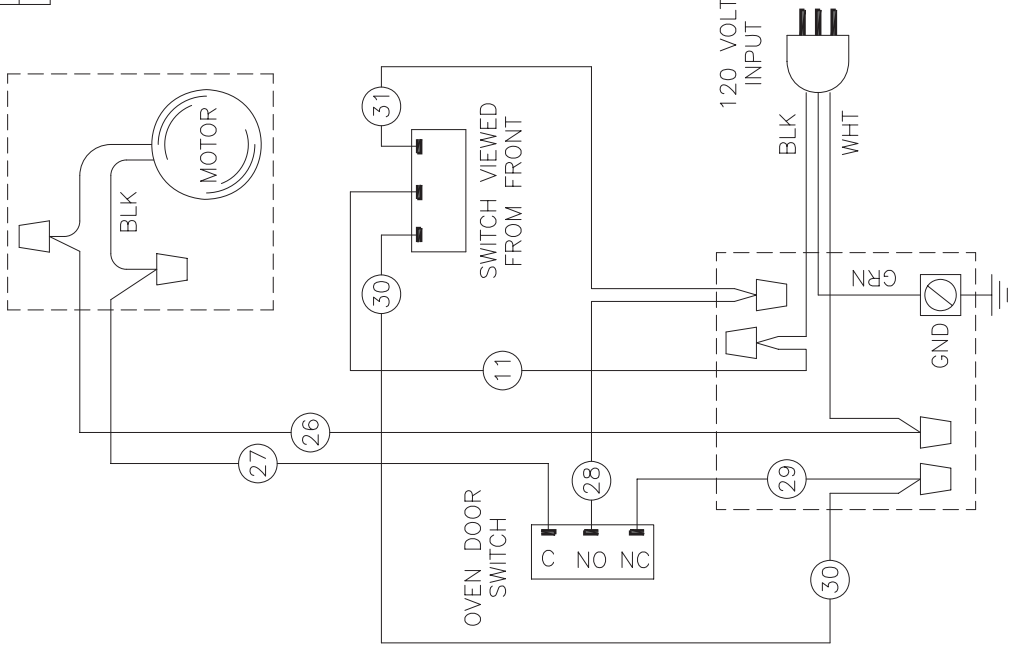


MODELS	GAS INPUT BTU'S/HR PER OVEN	ELECTRICAL RATING		
		VOLTS	AMPS	PHASE
PX/SUNFIRE	35,000	120	3.4	1

RIGHT RC OVEN SECTION



** CAD PRODUCED DRAWING **
 ** DO NOT REVISE MANUALLY **

REV	SYM	RELEASED ITEM/S	ECO	DATE	DR	APP	
0	-	1	97-182	10/10/97	BG	MA	
U.S. Range, Inc. A WELBILT Company		FREELAND PENNSYLVANIA 18224		SCALE	FACTOR	SIZE	
				1	1	B	
TOLERANCE (EXCEPT AS NOTED)							
FRACTIONAL ±1/64			DECIMAL ±.005		ANGULAR ±1°		
DESCRIPTION		DATE	DR.	BY	DR.	CK.	APP.
W/D PX/SUN RIGHT RC OVEN		10/10/97	BG	BG	BG	MA	MA
		MODEL(S)	FILE NAME				
		U.S. RANGE	27066S02				

ITEM	PART NUMBER	DESCRIPTION	REV
1	2706602	W/D PX/SUN RIGHT RC OVEN	0