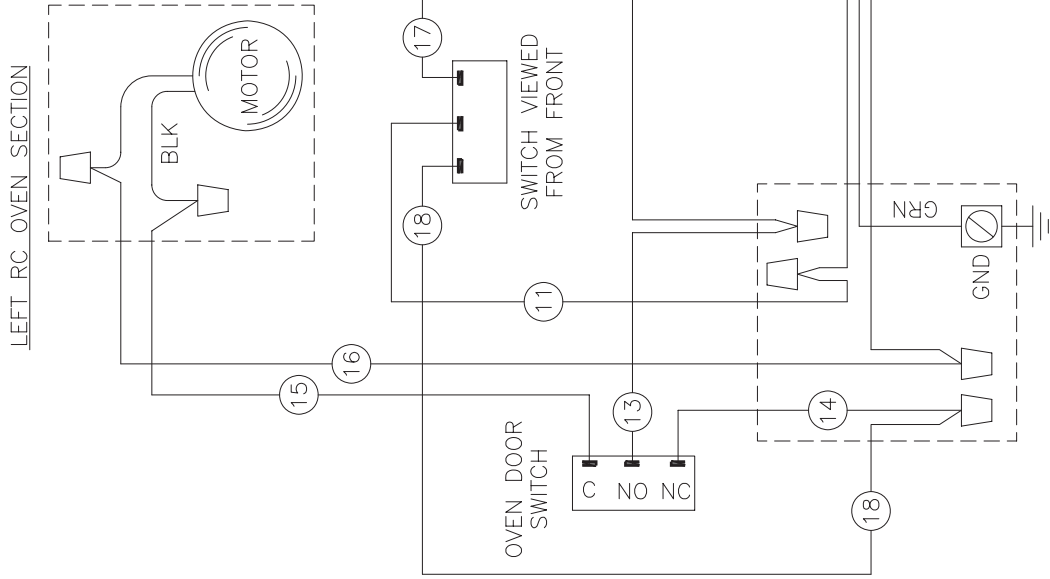


MODELS	GAS INPUT BTU'S/HR PER OVEN	ELECTRICAL RATING	
		VOLTS	AMPS
PX/SUNFIRE	35,000	120	3.4
			1



120 VOLT  
INPUT

BLK

WHT

\*\* CAD PRODUCED DRAWING \*\*  
\*\* DO NOT REVISE MANUALLY \*\*

REV	SYM	RELEASED ITEM/S	10/10 97	182	ECO	DATE	DR	APP	
0	-	1							
		CHANGE DESCRIPTION			SCALE	FACTOR	SIZE		
					1	1	B		
		U.S. Range, Inc. A WELBILT Company	FREELAND PENNSYLVANIA 18224						
TOLERANCE (EXCEPT AS NOTED)									
			FRACTIONAL ±1/64	DECIMAL ±.005	ANGULAR ±1°				
DESCRIPTION		DATE	DR.	BY	DR.	CK.	APP.	MA	
W/D PX/SUN LEFT RC OVEN		10/10/97	BG	BG	BG	BG	MA	MA	
		MODEL(S) U.S. RANGE			FILE NAME		27066S01		

ITEM	PART NUMBER	DESCRIPTION	REV
1	2706601	W/D PX/SUN LEFT RC OVEN	0