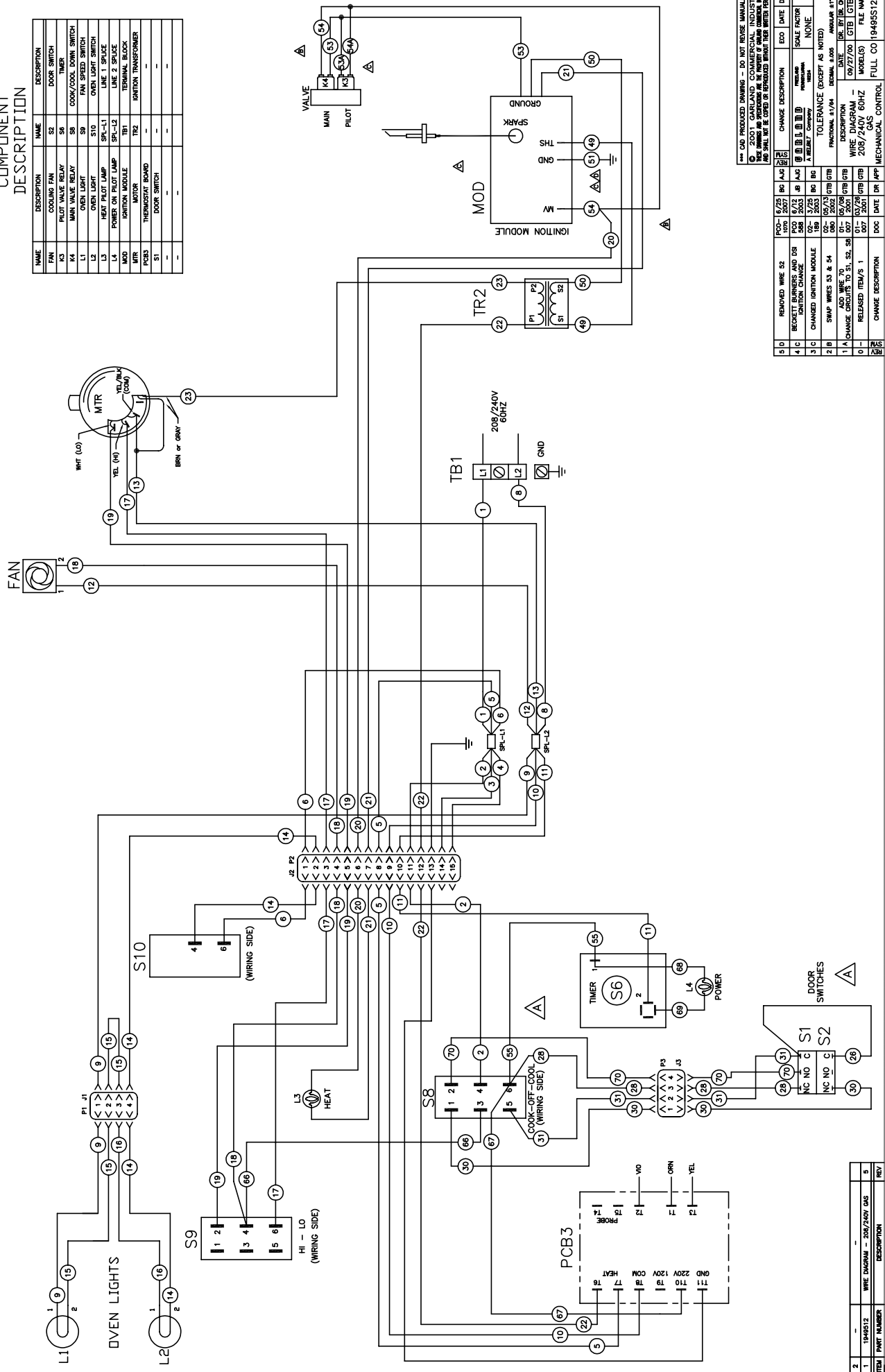


COMPONENT DESCRIPTION

NAME	DESCRIPTION	NAME	DESCRIPTION
FAN	COOLING FAN	S2	DOOR SWITCH
FAN	PILOT VALVE RELAY	S8	TIMER
K4	MAIN VALVE RELAY	S9	COOK/COOL DOWN SWITCH
L1	OVEN LIGHT	S10	FAN LIGHT SWITCH
L2	OVEN LIGHT	S11	FAN LIGHT SWITCH
L3	HEAT ON PILOT LAMP	SP-1-1	LINE 1 SPADCE
L4	HEAT ON PILOT LAMP	SP-1-2	LINE 2 SPADCE
MOD	IGNITION MODULE	TR1	TERMINAL BLOCK
MTR	MOTOR	TR2	IGNITION TRANSFORMER
PCB3	THERMOSTAT BOARD	-	-
S1	DOOR SWITCH	-	-
-	-	-	-



REV	PKMT NUMBER	WIRE DIAGRAM - 200/240V GAS	DESCRIPTION
2	-	-	-
1	1949512	200/240V GAS	5

REV	DATE	DR	APP	DOC	DESCRIPTION
0	01/20/07	ASB	ASB	007	CHANGE DESCRIPTION
1	01/20/07	ASB	ASB	007	CHANGE DESCRIPTION
2	01/20/07	ASB	ASB	007	CHANGE DESCRIPTION
3	01/20/07	ASB	ASB	007	CHANGE DESCRIPTION
4	01/20/07	ASB	ASB	007	CHANGE DESCRIPTION
5	01/20/07	ASB	ASB	007	CHANGE DESCRIPTION
6	01/20/07	ASB	ASB	007	CHANGE DESCRIPTION
7	01/20/07	ASB	ASB	007	CHANGE DESCRIPTION
8	01/20/07	ASB	ASB	007	CHANGE DESCRIPTION
9	01/20/07	ASB	ASB	007	CHANGE DESCRIPTION
10	01/20/07	ASB	ASB	007	CHANGE DESCRIPTION
11	01/20/07	ASB	ASB	007	CHANGE DESCRIPTION
12	01/20/07	ASB	ASB	007	CHANGE DESCRIPTION
13	01/20/07	ASB	ASB	007	CHANGE DESCRIPTION
14	01/20/07	ASB	ASB	007	CHANGE DESCRIPTION
15	01/20/07	ASB	ASB	007	CHANGE DESCRIPTION
16	01/20/07	ASB	ASB	007	CHANGE DESCRIPTION
17	01/20/07	ASB	ASB	007	CHANGE DESCRIPTION
18	01/20/07	ASB	ASB	007	CHANGE DESCRIPTION
19	01/20/07	ASB	ASB	007	CHANGE DESCRIPTION
20	01/20/07	ASB	ASB	007	CHANGE DESCRIPTION
21	01/20/07	ASB	ASB	007	CHANGE DESCRIPTION
22	01/20/07	ASB	ASB	007	CHANGE DESCRIPTION
23	01/20/07	ASB	ASB	007	CHANGE DESCRIPTION
24	01/20/07	ASB	ASB	007	CHANGE DESCRIPTION
25	01/20/07	ASB	ASB	007	CHANGE DESCRIPTION
26	01/20/07	ASB	ASB	007	CHANGE DESCRIPTION
27	01/20/07	ASB	ASB	007	CHANGE DESCRIPTION
28	01/20/07	ASB	ASB	007	CHANGE DESCRIPTION
29	01/20/07	ASB	ASB	007	CHANGE DESCRIPTION
30	01/20/07	ASB	ASB	007	CHANGE DESCRIPTION
31	01/20/07	ASB	ASB	007	CHANGE DESCRIPTION
32	01/20/07	ASB	ASB	007	CHANGE DESCRIPTION
33	01/20/07	ASB	ASB	007	CHANGE DESCRIPTION
34	01/20/07	ASB	ASB	007	CHANGE DESCRIPTION
35	01/20/07	ASB	ASB	007	CHANGE DESCRIPTION
36	01/20/07	ASB	ASB	007	CHANGE DESCRIPTION
37	01/20/07	ASB	ASB	007	CHANGE DESCRIPTION
38	01/20/07	ASB	ASB	007	CHANGE DESCRIPTION
39	01/20/07	ASB	ASB	007	CHANGE DESCRIPTION
40	01/20/07	ASB	ASB	007	CHANGE DESCRIPTION
41	01/20/07	ASB	ASB	007	CHANGE DESCRIPTION
42	01/20/07	ASB	ASB	007	CHANGE DESCRIPTION
43	01/20/07	ASB	ASB	007	CHANGE DESCRIPTION
44	01/20/07	ASB	ASB	007	CHANGE DESCRIPTION
45	01/20/07	ASB	ASB	007	CHANGE DESCRIPTION
46	01/20/07	ASB	ASB	007	CHANGE DESCRIPTION
47	01/20/07	ASB	ASB	007	CHANGE DESCRIPTION
48	01/20/07	ASB	ASB	007	CHANGE DESCRIPTION
49	01/20/07	ASB	ASB	007	CHANGE DESCRIPTION
50	01/20/07	ASB	ASB	007	CHANGE DESCRIPTION
51	01/20/07	ASB	ASB	007	CHANGE DESCRIPTION
52	01/20/07	ASB	ASB	007	CHANGE DESCRIPTION
53	01/20/07	ASB	ASB	007	CHANGE DESCRIPTION
54	01/20/07	ASB	ASB	007	CHANGE DESCRIPTION
55	01/20/07	ASB	ASB	007	CHANGE DESCRIPTION
56	01/20/07	ASB	ASB	007	CHANGE DESCRIPTION
57	01/20/07	ASB	ASB	007	CHANGE DESCRIPTION
58	01/20/07	ASB	ASB	007	CHANGE DESCRIPTION
59	01/20/07	ASB	ASB	007	CHANGE DESCRIPTION
60	01/20/07	ASB	ASB	007	CHANGE DESCRIPTION
61	01/20/07	ASB	ASB	007	CHANGE DESCRIPTION
62	01/20/07	ASB	ASB	007	CHANGE DESCRIPTION
63	01/20/07	ASB	ASB	007	CHANGE DESCRIPTION
64	01/20/07	ASB	ASB	007	CHANGE DESCRIPTION
65	01/20/07	ASB	ASB	007	CHANGE DESCRIPTION
66	01/20/07	ASB	ASB	007	CHANGE DESCRIPTION
67	01/20/07	ASB	ASB	007	CHANGE DESCRIPTION
68	01/20/07	ASB	ASB	007	CHANGE DESCRIPTION
69	01/20/07	ASB	ASB	007	CHANGE DESCRIPTION
70	01/20/07	ASB	ASB	007	CHANGE DESCRIPTION
71	01/20/07	ASB	ASB	007	CHANGE DESCRIPTION
72	01/20/07	ASB	ASB	007	CHANGE DESCRIPTION
73	01/20/07	ASB	ASB	007	CHANGE DESCRIPTION
74	01/20/07	ASB	ASB	007	CHANGE DESCRIPTION
75	01/20/07	ASB	ASB	007	CHANGE DESCRIPTION
76	01/20/07	ASB	ASB	007	CHANGE DESCRIPTION
77	01/20/07	ASB	ASB	007	CHANGE DESCRIPTION
78	01/20/07	ASB	ASB	007	CHANGE DESCRIPTION
79	01/20/07	ASB	ASB	007	CHANGE DESCRIPTION
80	01/20/07	ASB	ASB	007	CHANGE DESCRIPTION
81	01/20/07	ASB	ASB	007	CHANGE DESCRIPTION
82	01/20/07	ASB	ASB	007	CHANGE DESCRIPTION
83	01/20/07	ASB	ASB	007	CHANGE DESCRIPTION
84	01/20/07	ASB	ASB	007	CHANGE DESCRIPTION
85	01/20/07	ASB	ASB	007	CHANGE DESCRIPTION
86	01/20/07	ASB	ASB	007	CHANGE DESCRIPTION
87	01/20/07	ASB	ASB	007	CHANGE DESCRIPTION
88	01/20/07	ASB	ASB	007	CHANGE DESCRIPTION
89	01/20/07	ASB	ASB	007	CHANGE DESCRIPTION
90	01/20/07	ASB	ASB	007	CHANGE DESCRIPTION
91	01/20/07	ASB	ASB	007	CHANGE DESCRIPTION
92	01/20/07	ASB	ASB	007	CHANGE DESCRIPTION
93	01/20/07	ASB	ASB	007	CHANGE DESCRIPTION
94	01/20/07	ASB	ASB	007	CHANGE DESCRIPTION
95	01/20/07	ASB	ASB	007	CHANGE DESCRIPTION
96	01/20/07	ASB	ASB	007	CHANGE DESCRIPTION
97	01/20/07	ASB	ASB	007	CHANGE DESCRIPTION
98	01/20/07	ASB	ASB	007	CHANGE DESCRIPTION
99	01/20/07	ASB	ASB	007	CHANGE DESCRIPTION
100	01/20/07	ASB	ASB	007	CHANGE DESCRIPTION

REV	DATE	DR	APP	DOC	DESCRIPTION
0	01/20/07	ASB	ASB	007	CHANGE DESCRIPTION
1	01/20/07	ASB	ASB	007	CHANGE DESCRIPTION
2	01/20/07	ASB	ASB	007	CHANGE DESCRIPTION
3	01/20/07	ASB	ASB	007	CHANGE DESCRIPTION
4	01/20/07	ASB	ASB	007	CHANGE DESCRIPTION
5	01/20/07	ASB	ASB	007	CHANGE DESCRIPTION
6	01/20/07	ASB	ASB	007	CHANGE DESCRIPTION
7	01/20/07	ASB	ASB	007	CHANGE DESCRIPTION
8	01/20/07	ASB	ASB	007	CHANGE DESCRIPTION
9	01/20/07	ASB	ASB	007	CHANGE DESCRIPTION
10	01/20/07	ASB	ASB	007	CHANGE DESCRIPTION
11	01/20/07	ASB	ASB	007	CHANGE DESCRIPTION
12	01/20/07	ASB	ASB	007	CHANGE DESCRIPTION
13	01/20/07	ASB	ASB	007	CHANGE DESCRIPTION
14	01/20/07	ASB	ASB	007	CHANGE DESCRIPTION
15	01/20/07	ASB	ASB	007	CHANGE DESCRIPTION
16	01/20/07	ASB	ASB	007	CHANGE DESCRIPTION
17	01/20/07	ASB	ASB	007	CHANGE DESCRIPTION
18	01/20/07	ASB	ASB	007	CHANGE DESCRIPTION
19	01/20/07	ASB	ASB	007	CHANGE DESCRIPTION
20	01/20/07	ASB	ASB	007	CHANGE DESCRIPTION
21	01/20/07	ASB	ASB	007	CHANGE DESCRIPTION
22	01/20/07	ASB	ASB	007	CHANGE DESCRIPTION
23	01/20/07	ASB	ASB	007	CHANGE DESCRIPTION
24	01/20/07	ASB	ASB	007	CHANGE DESCRIPTION
25	01/20/07	ASB	ASB	007	CHANGE DESCRIPTION
26	01/20/07	ASB	ASB	007	CHANGE DESCRIPTION
27	01/20/07	ASB	ASB	007	CHANGE DESCRIPTION
28	01/20/07	ASB	ASB	007	CHANGE DESCRIPTION
29	01/20/07	ASB	ASB	007	CHANGE DESCRIPTION
30	01/20/07	ASB	ASB	007	CHANGE DESCRIPTION
31	01/20/07	ASB	ASB	007	CHANGE DESCRIPTION
32	01/20/07	ASB	ASB	007	CHANGE DESCRIPTION
33	01/20/07	ASB	ASB	007	CHANGE DESCRIPTION
34	01/20/07	ASB	ASB	007	CHANGE DESCRIPTION
35	01/20/07	ASB	ASB	007	CHANGE DESCRIPTION
36	01/20/07	ASB	ASB	007	CHANGE DESCRIPTION
37	01/20/07	ASB	ASB	007	CHANGE DESCRIPTION
38	01/20/07	ASB	ASB	007	CHANGE DESCRIPTION
39	01/20/07	ASB	ASB	007	CHANGE DESCRIPTION
40	01/20/07	ASB	ASB	007	CHANGE DESCRIPTION
41	01/20/07	ASB	ASB	007	CHANGE DESCRIPTION
42	01/20/07	ASB	ASB	007	CHANGE DESCRIPTION
43	01/20/07	ASB	ASB	007	CHANGE DESCRIPTION
44	01/20/07	ASB	ASB	007	CHANGE DESCRIPTION
45	01/20/07	ASB	ASB	007	CHANGE DESCRIPTION
46	01/20/07	ASB	ASB	007	CHANGE DESCRIPTION
47	01/20/07	ASB	ASB	007	CHANGE DESCRIPTION
48	01/20/07	ASB	ASB	007	CHANGE DESCRIPTION
49	01/20/07	ASB	ASB	007	CHANGE DESCRIPTION
50	01/20/07	ASB	ASB	007	CHANGE DESCRIPTION
51	01/20/07	ASB	ASB	007	CHANGE DESCRIPTION
52	01/20/07	ASB	ASB	007	CHANGE DESCRIPTION
53	01/20/07	ASB	ASB	007	CHANGE DESCRIPTION
54	01/20/07	ASB	ASB	007	CHANGE DESCRIPTION
55	01/20/07	ASB	ASB	007	CHANGE DESCRIPTION
56	01/20/07	ASB	ASB	007	CHANGE DESCRIPTION
57	01/20/07	ASB	ASB	007	CHANGE DESCRIPTION
58	01/20/07	ASB	ASB	007	CHANGE DESCRIPTION
59	01/20/07	ASB	ASB	007	CHANGE DESCRIPTION
60	01/20/07	ASB	ASB	007	CHANGE DESCRIPTION
61	01/20/07	ASB	ASB	007	CHANGE DESCRIPTION
62	01/20/07	ASB	ASB	007	CHANGE DESCRIPTION
63	01/20/07	ASB	ASB	007	CHANGE DESCRIPTION
64	01/20/07	ASB	ASB	007	CHANGE DESCRIPTION
65	01/20/07	ASB	ASB	007	CHANGE DESCRIPTION
66	01/20/07	ASB	ASB	007	CHANGE DESCRIPTION
67	01/20/07	ASB	ASB	007	CHANGE DESCRIPTION
68	01/20/07	ASB	ASB	007	CHANGE DESCRIPTION
69	01/20/07	ASB	ASB	007	CHANGE DESCRIPTION
70	01/20/07	ASB	ASB	007	CHANGE DESCRIPTION
71	01/20/07	ASB	ASB	007	CHANGE DESCRIPTION
72	01/20/07	ASB	ASB	007	CHANGE DESCRIPTION
73	01/20/07	ASB	ASB	007	CHANGE DESCRIPTION
74	01/20/07	ASB	ASB	007	CHANGE DESCRIPTION
75					