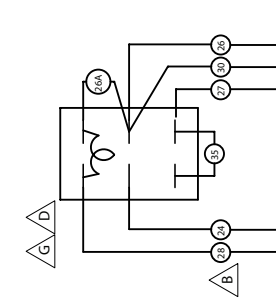
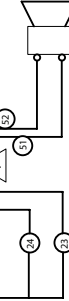
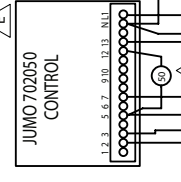


POWER SWITCH

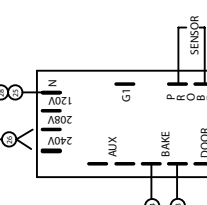


INFINITE SWITCH

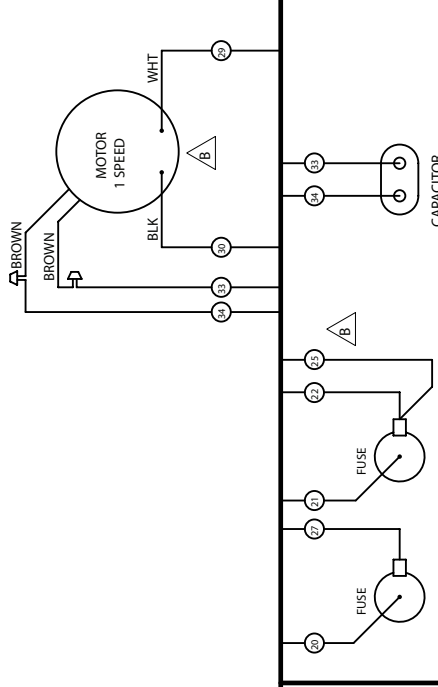
JUMO 702050 CONTROL



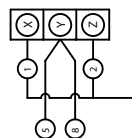
CONTROL WAS COM 6000



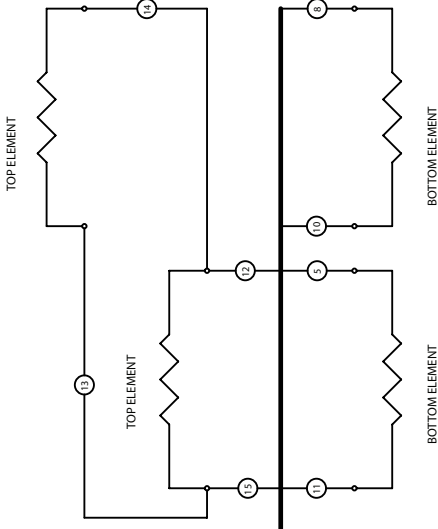
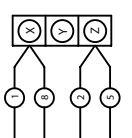
TOTAL KW	3 PHASE							
	SINGLE		AMPS PER LINE					
5200 WATTS	208	240	208	240	208	240		
	25	21.7	X	Y	Z	X	Y	Z
			17	10	17	15	9	15



3 PHASE TERMINAL BLOCK



SINGLE PHASE TERMINAL BLOCK



*** CAD PRODUCED DRAWING ***
 *** DO NOT REVISE MANUALLY ***

REV	DESCRIPTION	ECO	DATE	DR	APP
0	RELEASED ITEM #1	91-037	8/7/91	J5	DC
1	ADDED SENSOR LEADS	91-037A	10/2/91	JS	
2	MOVE WIRES 22,25,28,29 SWAP WIRES 29 & 30 AT MOTOR	02-155	9/27/2002	GTB	RJS
3	ADDED ALTERNATE SWITCH	PCO-244	5/4/2005	AUG	AUG
4	REVISED WRING OF ON / OFF SWITCH	PCO-947	3/21/2007	CTT	AUG
5	CHANGED TO JUMO CONTROL	PCO-1050	7/18/2007	AUG	AUG
6	MOVED JUMPER WIRE (50) ON JUMO CONTROL TERM 7 TO 5	PCO-1435	01/10/2008	AUG	AUG
G	ROTATE PWR SWITCH TO READ MECHANICALLY CORRECT			CTT	AUG



FRELAND PENNSYLVANIA 182.24		SCALE FACTOR	2	SIZE	B
TOLERANCE (EXCEPT AS NOTED)					
FRACTIONAL ±1/64		DECIMAL ±.005	ANGULAR ±1°		
DESCRIPTION	DATE	DR BY	DR CK	APP.	
WIRE DIAGRAM - 208/240V 60HZ	7/25/91	J.S.	B.G.	DC	
MODEL(S)	FILE NAME				
APO	1720301-R06				

ITEM	PART NUMBER	DESCRIPTION	REV
2			
1	1720301	WIRE DIAGRAM-208/240V DOMESTIC	6