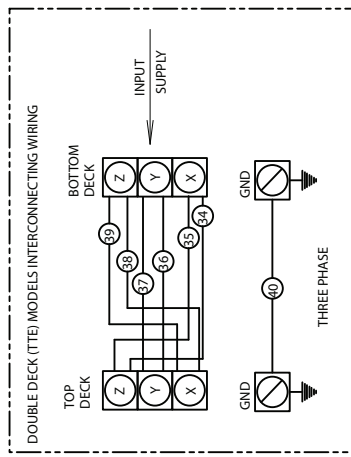
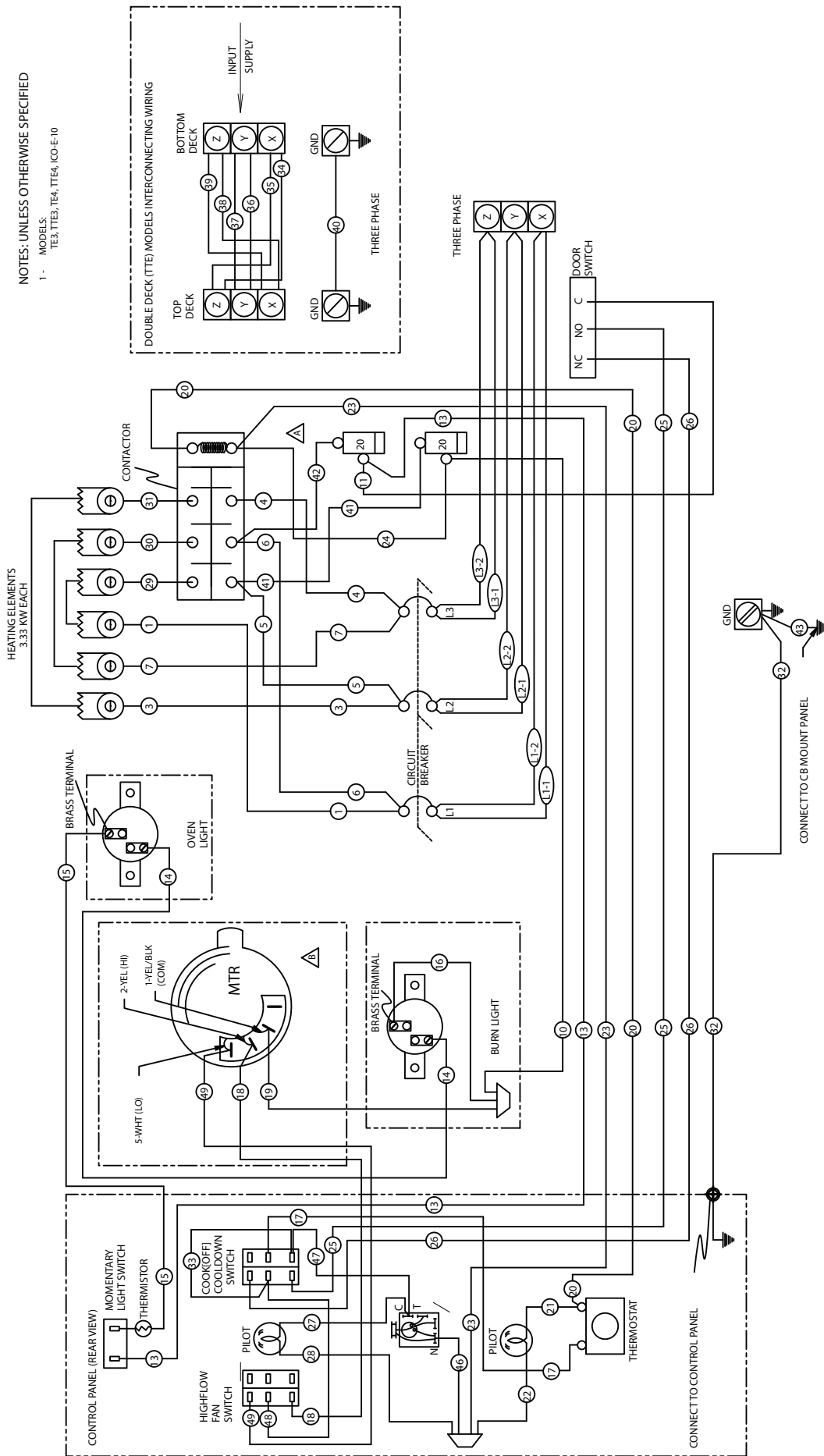


NOTES: UNLESS OTHERWISE SPECIFIED

1- MODELS:
TE3, TTE3, TE4, TTE4, ICO-E-10



MODEL AND MOTOR	TOTAL KW	THREE PHASE KW PHASE	NOMINAL AMPERS PER LINE						
			THREE PHASE						
△	208	236	240	208	236	240	208	236	240
T	4.4	3.3	3.3	X	Y	Z	X	Y	Z
HOWELL	22	7.7	7.7	6.6	6.6	6.6	53	52	56
T	10.4	3.8	3.3	3.3	3.3	3.3	30	30	26
CENTURY	20.8	7.1	7.1	6.6	6.6	6.6	58	60	51
TT	20.8	7.1	7.1	6.6	6.6	6.6	53	50	52
TT	20.8	7.1	7.1	6.6	6.6	6.6	50	50	50

ITEM	PART NUMBER	DESCRIPTION	REV
2	1267511	WIRING DIAGRAM (GCR PANEL)	10

REV	SYM	CHANGE DESCRIPTION	DOC	DATE	DR	APP
10	B	UPDATE MOTOR WIRING TO CURRENT MOTOR	PCO 1644	7/22 2008	BG	GR
9	A	WIRE #42 WAS #4	PCO 1388	11/30 2007	BG	CTT
8	-	REDRAWN ON CAD	PCO 718	09/11 2006	TEG	-

*** CAD PRODUCED DRAWING - DO NOT REVISE MANUALLY ***

© 2004 GARLAND COMMERCIAL INDUSTRIES
THESE DRAWINGS AND SPECIFICATIONS ARE THE PROPERTY OF GARLAND COMMERCIAL INDUSTRIES AND SHALL NOT BE COPIED OR REPRODUCED WITHOUT THEIR WRITTEN PERMISSION.

Garland
FREMONT, PENNSYLVANIA, U.S.A.

SCALE FACTOR: NONE
SIZE: C

TOLERANCE IN INCHES (EXCEPT AS NOTED):
(FORM XXX ± .031) (FLAT XXX ± .015) (ANGULAR ± .5°)

DESCRIPTION: CONVECTION OVEN FULL SIZE ELECTRIC W/ 2 SPEED MOTOR
DATE: 07/16/06
DR. BY: JCA
JCA
APP: JCA
FILE NAME: 1267511-R10
NOTES: