



Item: _____
 Quantity: _____
 Project: _____
 Approval: _____
 Date: _____

Summit Gas Convection Oven

Summit Gas Convection Oven

Models:

- SGM-100S1 SGM-100D1 SGM-200S1 SGM-200D1



Model SGM-100S1

Note: Ovens supplied with casters must be installed with an approved restraining device.

Standard Features:

- Summit 45 Solid State, Digital Controller 150°F -500°F (66°C-260°C) w/Pulse Fan & Cook 'n' Hold w/100 hour timer
- Auto-Cool Down and Auto Setback features
- Electronic spark ignition, including automatic pilot system with 100% safety shut off
- Two-speed 3/4 HP fan motor
- Total of 60,000 BTU (17.6 kW) loading per oven cavity
- Stainless steel front, sides, top, and legs
- 60/40 dependent door design with double pane thermal window in left-hand door and interior lighting
- Porcelain enameled oven interior with coved corners
- Full length, stainless steel positive door closure
- 10-position rack guides with 5 oven racks
- Double deck models available 200 models
- One year limited parts and labor warranty (USA and Canada only)

- Five year limited door warranty, excluding window (USA and Canada only)
- Natural or propane gas

Optional Features:

- Summit 45+ Solid State Digital Control with Cook 'n' Hold plus Core Probe
- 80,000 BTU (23.4kW) burner package (Natural Gas Only)
- Windows in both doors
- Stainless steel solid doors
- Stainless steel oven interior
- Extra oven racks
- Swivel casters, (4) w/ front brakes.
- Low profile casters, (4) w/ front brakes (double ovens only)
- Stainless steel open base with rack guides and shelf
- Canopy diverter (stainless steel)
- Direct connect vent
- Gas flex-hose w/quick disconnect & restraining device
- Back enclosure (stainless steel)
- 208 or 240 volt, single phase (please specify)
- Maximum security package available contact factory for details

Specifications:

U.S. Range Summit Full-Size Standard Depth, suffix S1 or Deep Depth, suffix D1 gas convection oven. 60,000 BTU (17.6 kW) cavity, 3/4 HP fan motor with two-speed fan speed control. Electronic spark ignition. Natural or propane gas. Summit 45 Solid State, Digital Controller 150°F-500°F (66°C-260°C) w/Pulse Fan & Cook 'n' Hold w/100 hour timer. Auto Cool Down / Auto Set Back feature. Porcelain enameled oven interior with coved corners, five (5) oven racks and 10-position rack guides. All model interiors are 29" (736mm) W by 24" (610mm) H, depth is 24" (610mm) for standard depth and 28" (711mm) for deep depth. Stainless

steel front, sides, top, and legs. 60/40 dependent door design with double pane thermal window in left-hand door and interior lighting. 200 Models are double deck units. Specify voltage if other than 115 volt, 60 Hz, 1 phase. UL, CUL Gas-Fired and NSF Listed.



Garland Commercial Industries, LLC
 185 East South Street
 Freeland, PA 18224
 Phone: (570) 636-1000
 Fax: (570) 636-3903

Garland Commercial Ranges Ltd
 1177 Kamato Road,
 Mississauga, Ontario
 L4W 1X4 CANADA
 Phone: 905-624-0260
 Fax: 905-624-5669



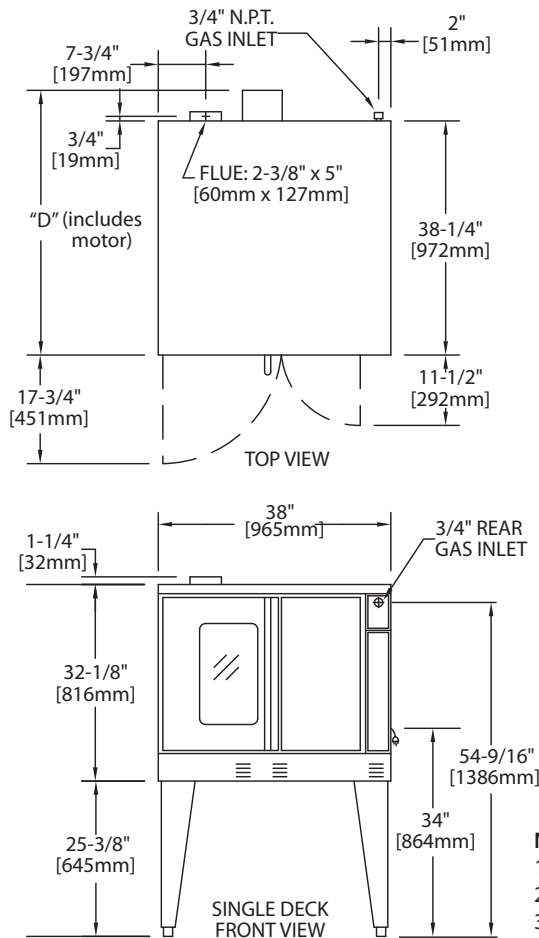
Model	Int. Dimensions: In (mm)			Ext. Dimensions: In (mm)			Ship Wt Lbs/kg	Ship Dim. Cubic Ft.
	W	H	D	W	H**	D (w/motor)		
SGM-100S1	29 (736)	24 (610)	24 (610)	38 (965)	57-1/2 (1461)	41-1/4 (1048)	510/232	42
SGM-100D1	29 (736)	24 (610)	28 (711)	38 (965)	57-1/2 (1461)	44-1/2 (1130)	510/232	42
SGM-200S1	29(736)	24(610)	24(610)	38(965)	70-1/2 (1791)	41-1/4 (1048)	1024/464	84
SGM-200D1	29(736)	24(610)	28 (711)	38(965)	70-1/2 (1791)	44-1/2 (1130)	1024/464	84

** Height with or without standard casters. Height with low profile casters (double deck) is 68-1/2" (1740mm).

Models	Input Ratings, Natural & Propane			Operating Pressure *		Electrical Specifications	
	BTU/hr	kW Equiv.	Gas Inlet	Natural	Propane	120V/1Ph.	240V/1Ph.
Single Deck	60,000	17.6	(1) @ 3/4" NPT	4.5" WC (11 mbar)	10" WC (25 mbar)	(1)@9.8A	(1)@ 5.2A
Double Deck	120,000	35.2	(1) @1" NPT			(2)@9.8A	(2)@ 5.2A

*Maximum Pressure 13.8" WC @ 70°F (21°C)

Many local codes exist and it is the responsibility of the owner and installer to comply with those codes. These appliances are intended for commercial use by professionally trained personnel.



Instillation Notes:			
Combustible & Non-Combustible Wall Clearances:			
Sides	1" (25mm)	Back	3" (76mm)
Entry Clearances: In (mm)			
Crated	44-1/2 (1130)	Uncrated	32-1/2 (826)

Notes:

- Standard electrical specifications include motor requirements.
- (120V units) 115V, 3/4 HP, 2-speed motor; 1140 and 1725 rpm, 60Hz.
- (240V units) 200-240V, 3/4 HP, 2-speed motor; 1140 and 1725 rpm, 60 Hz
- A 6 ft. line cord is provided for each 120V deck with a (NEMA #5-15P) plug.
- U. S. Range recommends a separate 15 AMP circuit for each 120V unit.

Gas Input Ratings shown here are for installations up to 2,000 ft. (610m) above sea level. Specify altitudes over 2,000 ft.

Form# SGM (03/19/10)