



## Summit Gas Convection Oven

*models* **SGM-100, SGM-200**

*for units built* **FROM: (serial#) 0709100242026**

**TO: (serial#) 12072300xxxxx**

# PARTS LIST

Phone (US & Canada): 1 800 427 6668

Fax (US & Canada): 1 800 361 7745

[www.Garland-Group.com](http://www.Garland-Group.com)

# **Quality Factory Replacement Parts for the World's Finest Foodservice Equipment Solutions**

This parts list is updated regularly. Please find the most current revision  
on our website @ [www.Garland-Group.com](http://www.Garland-Group.com)



## Summit Gas Convection Oven

*models* **SGM-100, SGM-200**

*for units built* **FROM: (serial#) 0709100242026**

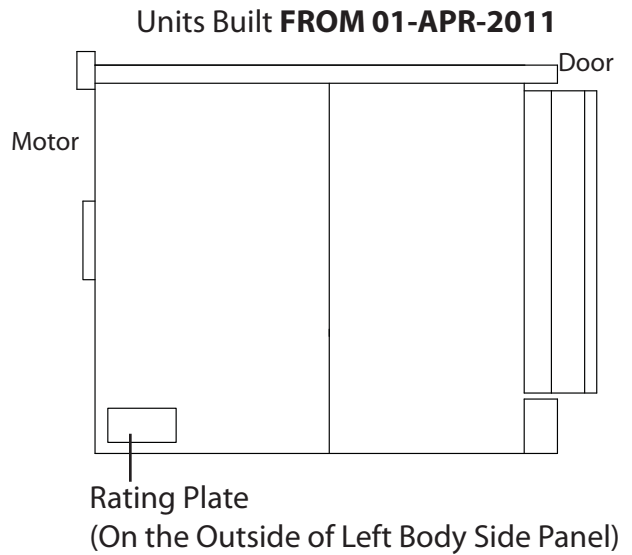
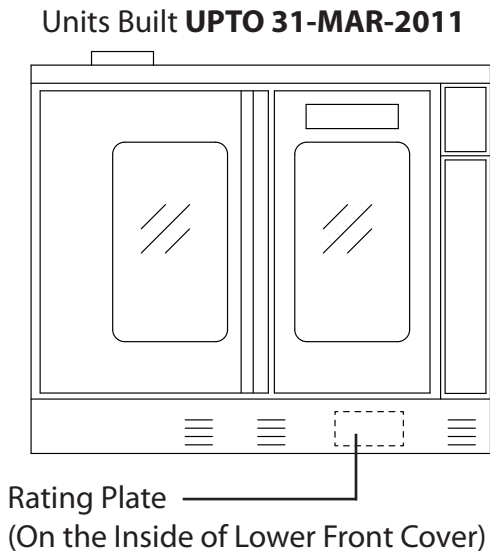
**TO: (serial#) 12072300xxxxx**

### Table of Contents

Rating Plate Location / Model & Serial# Interpretation .....	5
Main Exterior Components.....	6
Oven Components.....	8
FASTRON Digital Control & Components.....	10
ELREHA Digital Control & Components .....	14
Burner Package.....	18
Door Components & Assemblies.....	20
List of Wiring Diagrams & Available Kits.....	24
Related Bulletins.....	25
Revision History .....	25

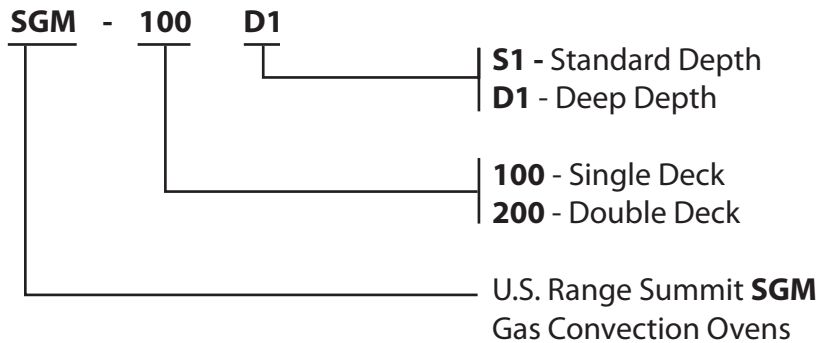
Blank Page

# Rating Plate Location



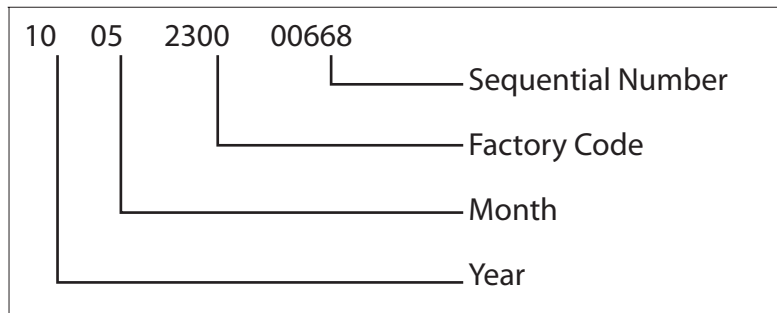
# Model Number Interpretation

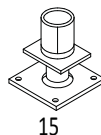
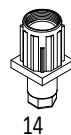
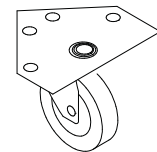
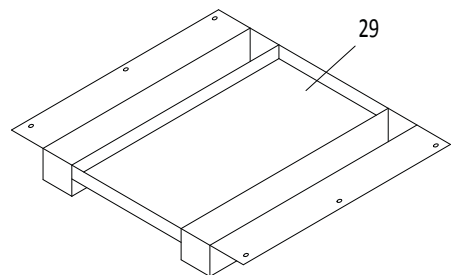
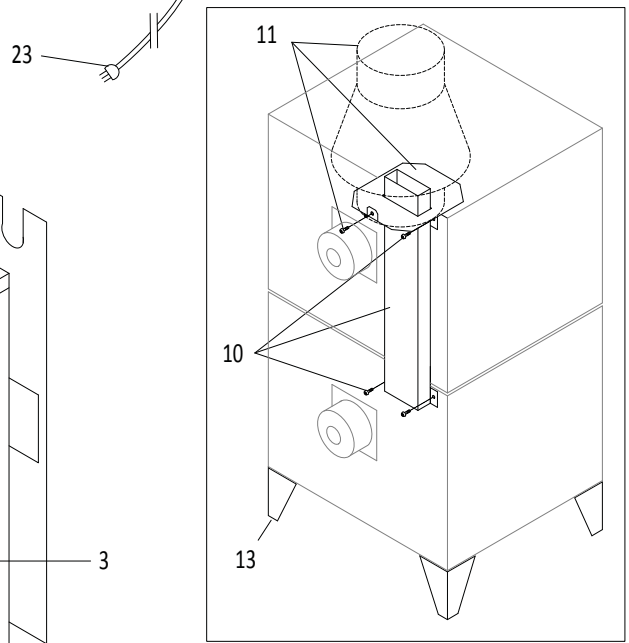
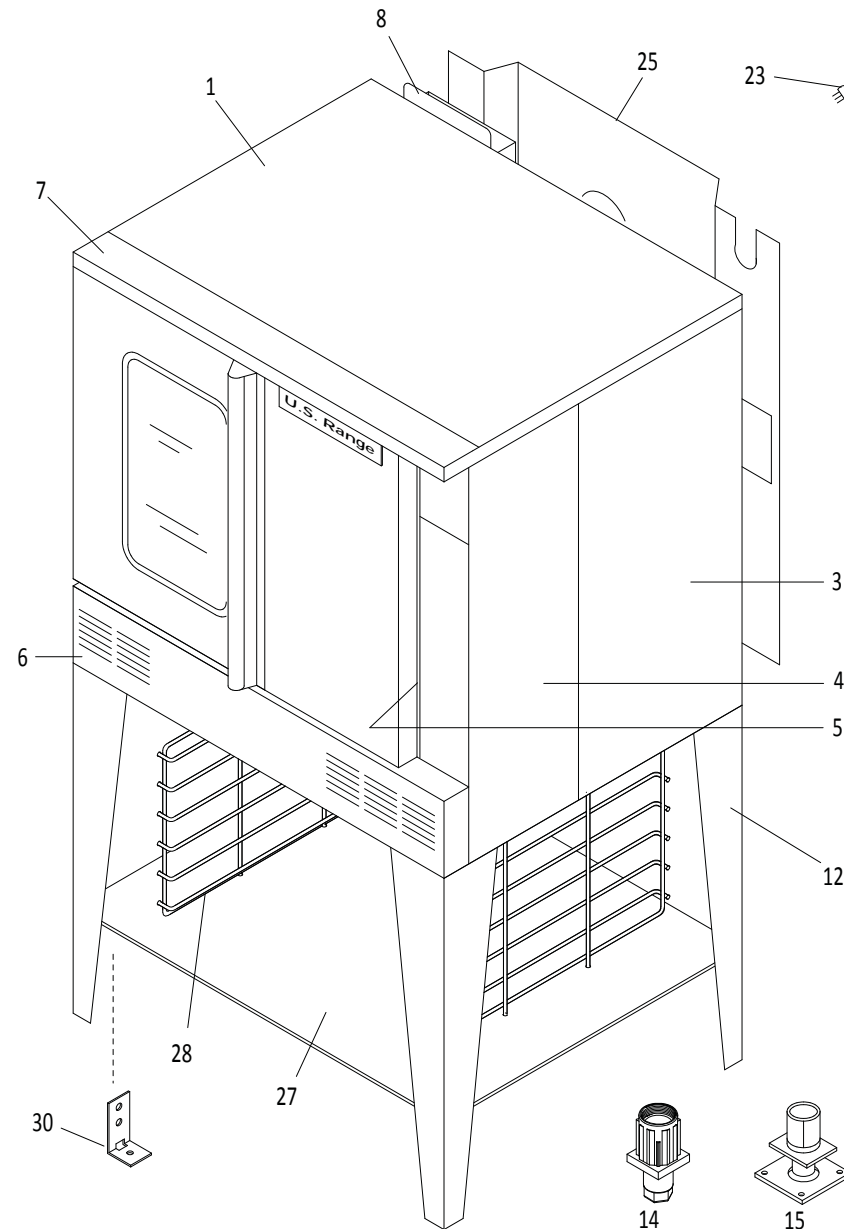
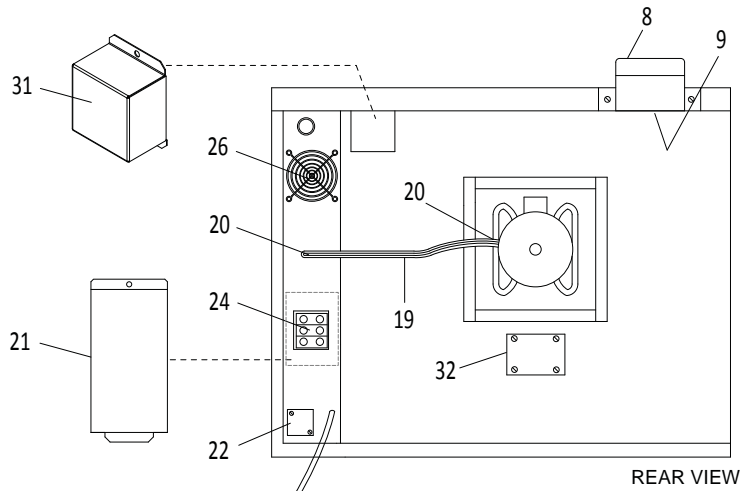
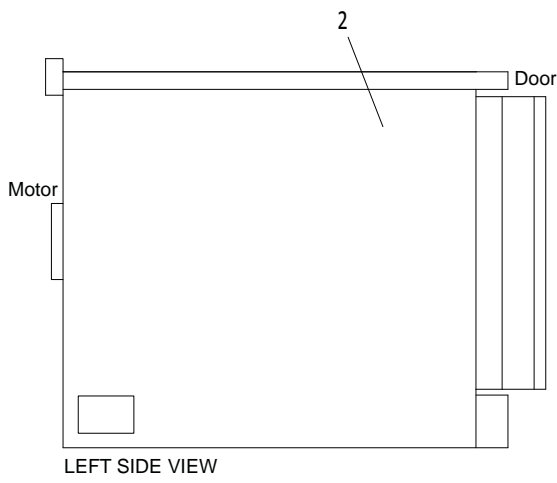
- SGM-100S1
- SGM-100D1
- SGM-200S1
- SGM-200D1



# Serial# (Year/Month Information)

The Serial Number is **13 Digits** long and is stamped on the Rating Plate.





18

14

15

16

17

**U.S. RANGE PARTS IDENTIFICATION**  
**Summit Series Gas Convection Oven**  
*models SGM-100/200*

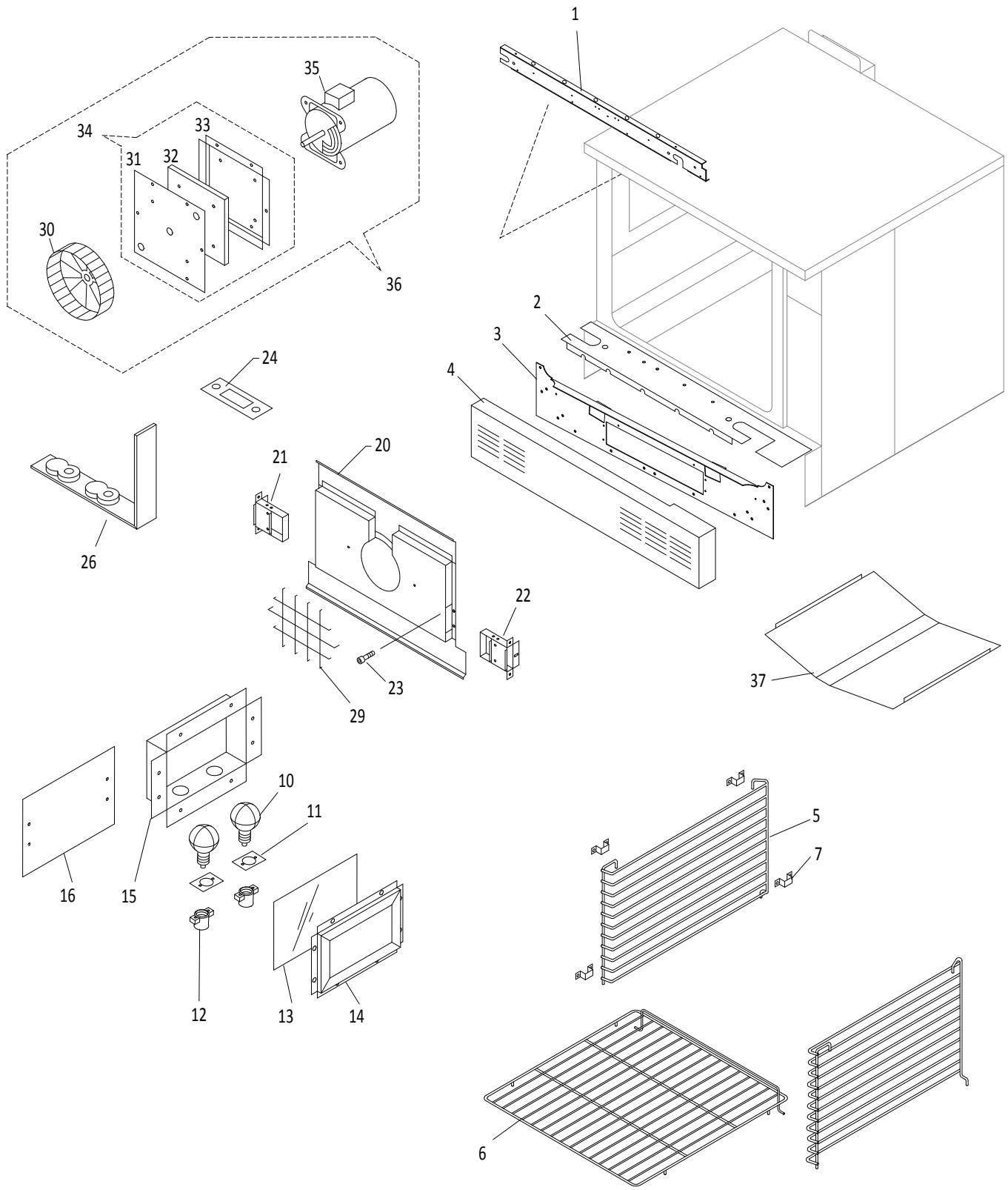
**MAIN EXTERIOR COMPONENTS**

ITEM	PART #	DESCRIPTION	QTY	CRITICAL
1	1917602	Cover - Main Top, SS	1	
2	1920201	Cover - Body Side, Left, SS	1	
3	1918701	Cover - Body Side, Right, SS	1	
4	1925901	Cover - Control Panel, Right, SS	1	
	1925999	Cover - Control Panel, Right (Prison Package)	1	
5	1925801	Cover - Control Panel, Left, SS	1	
6	4519724	Cover - Lower Front Trim, SS	1	
6A*	8003107	#10-24 x 3/4" Machine Screw-Th-Phl (for Lower Front Trim Cover)		
7	1925301	Cover - Upper Front Trim, SS	1	
7A*	8002107	#10 x 1/2" Machine Screw-Th-Phl-B Stl 2P (for Upper Front Trim Cover)		
8	1919999	Vent Assembly - Outer (Standard or Deep)	1	
9	1919399	Vent Assembly - Standard	1	
	1919398	Vent Assembly - Deep	1	
10	CK1920099	Flue Assembly for Double Deck <b>Note:</b> Kit includes sheet metal flue channels (part# 1920001, 1920002) and fasteners (8002106).	1	
11	1951217	Direct Vent Kit (for single or double deck) <b>Note:</b> Kit includes Flue Adapter Plate (1953001), Direct Vent Bell (1190100), and fasteners (8002108).	1	
12	1927199	Leg - Single Deck, SS, for Casters, approx. 19-3/4"	4	
	1927197	Leg - Single Deck, SS, for Foot Inserts, 24"	4	
13	1927195	Leg - Double Deck, SS	4	
14	1236100	1-1/2" Square Foot Insert - Chrome Plated	4	
15	1949701	Flanged Foot Insert ( <b>Optional Feature</b> )	4	
16	1775102	Caster Insert (Single Deck Only)	4	
17	1926501	Caster - 4" Swivel without Brake, 3/4NPT	4	
	1926502	Caster - 4" Swivel with Brake, 3/4NPT	4	
18	1926531	Heavy Duty Caster - 5" Swivel without Brake, for Double Deck	4	
	1926532	Heavy Duty Caster - 5" Swivel with Brake, for Double Deck	4	
	4524736	Kit - Casters 3" Swivel without Brake (low profile) <b>Note:</b> Kit Includes Two Casters	1	
	4524737	Kit - Casters 3" Swivel with Brake (low profile) <b>Note:</b> Kit Includes Two Casters	1	
19	1029426	3/8 BX Cable 26" Long	1	
20	1028501	BX Connector - Straight	2	
21	1927898	Cover - External Terminal Block (208/240V Units)	1	
22	1928206	Plate - Line Cord Patch	1	
23	<b>1029501</b>	<b>8' Long Power Cord (115V Gas Unit)</b>	1	
24	1193900	Terminal Block - 3 Pole-Hi Voltage	1	
25	1921001	Cover - Main Back, Std SS	1	
	1921003	Cover - Main Back, Deep SS	1	
	1921089	Cover W/A - Standard Depth (Prison Package)	1	
	1921088	Cover W/A - Deep Depth Gas (Prison Package)	1	
26	1919001	Cooling Fan Guard - 120mm	1	
27	1926902	Panel - Open Base, SS	1	
28	1926702	Rack Guide - Lower, Open Base	2	
29	1926802	Support - Rack Guide, Upper	1	
30	1927001	Clip - Lower Rack Guide Support	4	
31	1916301	Probe Connector Cover	1	
32	1928204	Plate - Element Patch	1	

\* NOT ILLUSTRATED

**RECOMMENDED STOCK PARTS**

**OVEN COMPONENTS**





**U.S. RANGE PARTS IDENTIFICATION**  
**Summit Series Gas Convection Oven**  
*models SGM-100/200*

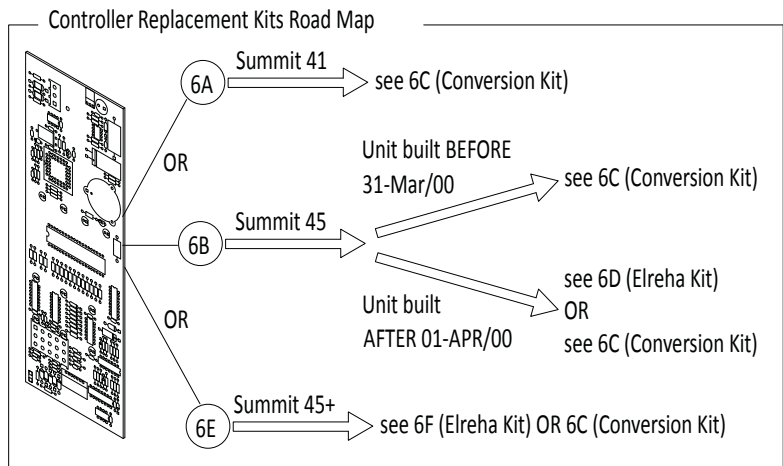
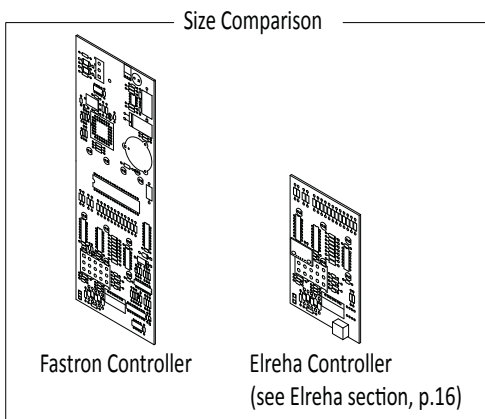
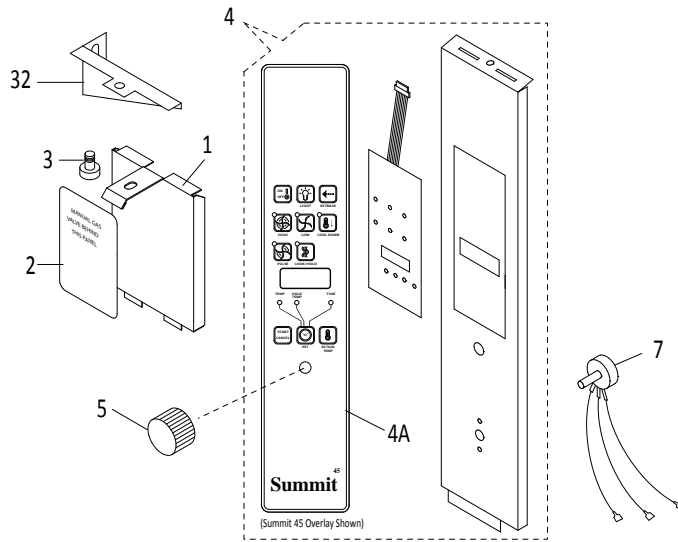
**OVEN COMPONENTS**

<b>ITEM</b>	<b>PART #</b>	<b>DESCRIPTION</b>	<b>QTY</b>	<b>CRITICAL</b>
1	1925201	Channel - Upper Hinge	1	
2	1925202	Channel - Lower Hinge	1	
3	1915401	Cover - Burner Box Front	1	
4	4519724	Cover - Lower Front Trim	1	
5	1922001	Oven Rack Guide - 10 Positions, Standard	2	
	1922002	Oven Rack Guide - 10 Positions, Deep	2	
6	1922211	Oven Rack - Standard	5	
	1922212	Oven Rack - Deep	5	
7	1765212	Oven Rack Clip	8	
10	<b>1623900</b>	<b>Light Bulb - 40W</b>	2	
11	1025900	Light Socket Gasket	2	
12	1025800	Lamp Socket - Porcelain	2	
13	1676901	Glass, High Temp	1	
14	1921801	Cover, Light Box	1	
15	1921902	Light Box	1	
16	1928299	Plate, Light Box Patch - Porcelain (no oven lights option)	1	
20	1802999	Fan Cover	1	
21	CK1782599	Fan Cover Duct, Left	1	
22	CK1782598	Fan Cover Duct, Right	1	
23	8004005	1/4-20 x 3/8" Allen Head Screws	4	
24	1784302	Oven Vent Cap - 60K BTU	1	
	1784303	Oven Vent Cap - 80K BTU	1	
26	1785998	Fan Duct Restrictor - 60K BTU	1	
	1785996	Fan Duct Restrictor - 80K BTU	1	
29	G02904-01P	Blower Inlet Cover	1	
30	G02952-01P	Blower Wheel Assembly Plated	1	
31	1916401	Plate, Motor Pocket Front	1	
32	1915921	Insulation - Motor Pocket	1	
33	1916402	Motor Pocket Back	1	
34	CK1916499	Motor Pocket Assembly	1	
35	1686711	Motor 3/4 HP, 115V, 2 Speed	1	
	1686712	Motor 3/4 HP, 208/240V, 2 Speed	1	
36	<b>CK1003090</b>	<b>Motor Assembly - 2 Speed - 115V</b>	1	C
	<b>CK1003091</b>	<b>Motor Assembly - 2 Speed - 208/240 V</b>	1	C
37	1783901	Fire Plate - Standard depth	1	
	1783902	Fire Plate - Deep depth	1	
38*	113361	Convection Oven Insulation Kit - Standard	1	
	113364	Convection Oven Insulation Kit - Deep Size	1	

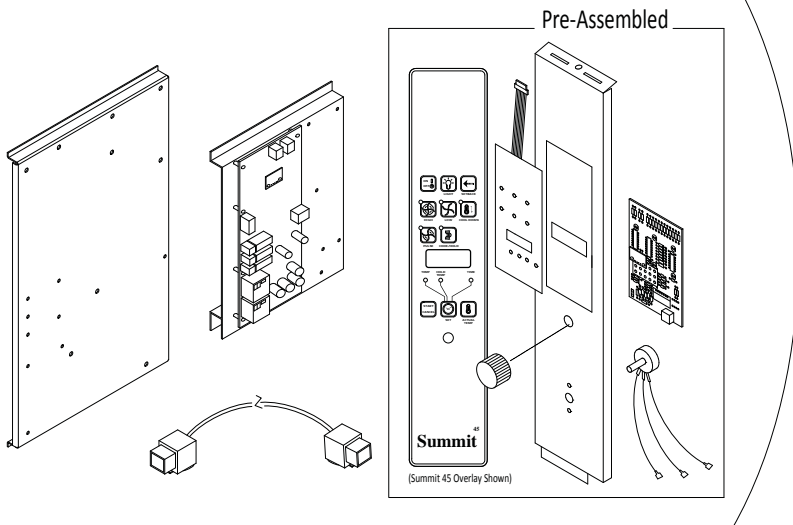
\* NOT ILLUSTRATED

**RECOMMENDED STOCK PARTS**

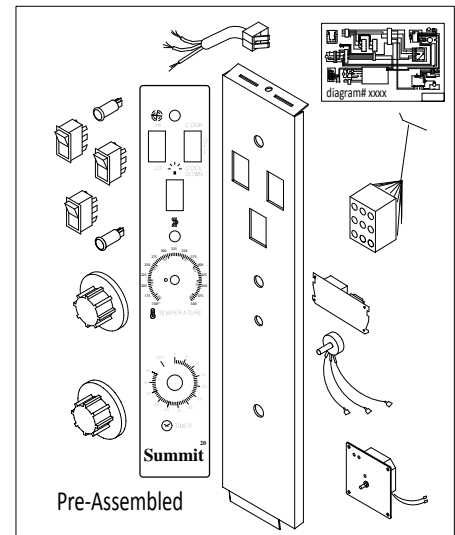
## (FASTRON) DIGITAL CONTROL PANEL & COMPONENTS

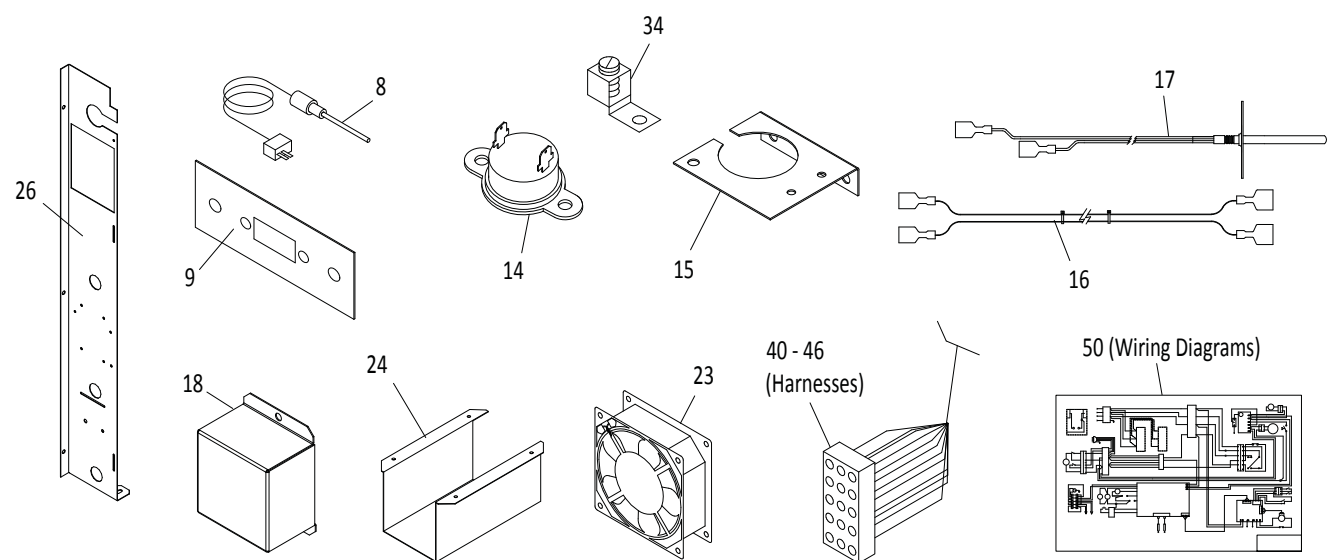
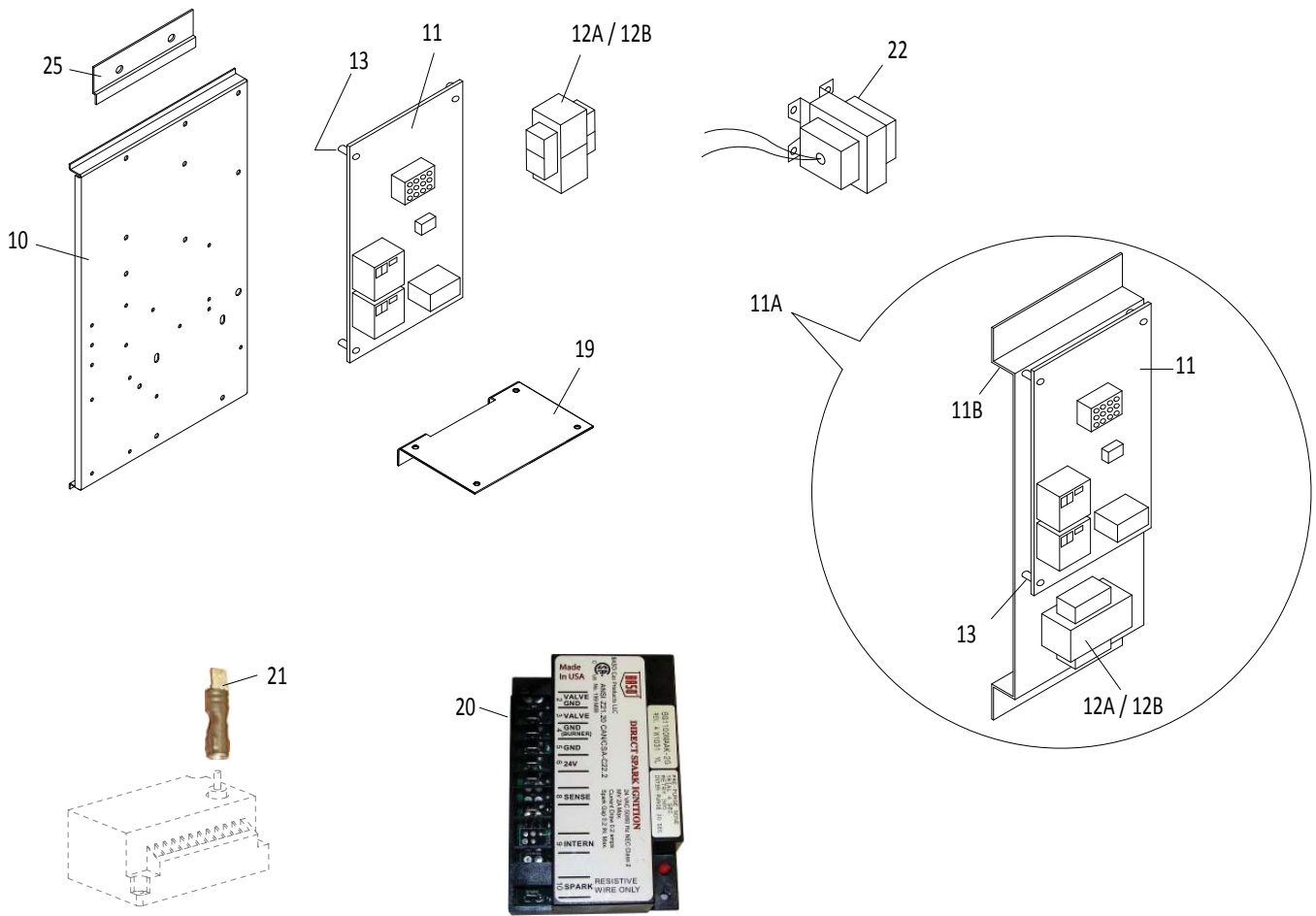


**Controller Replacement Kits (6D / 6F)**  
Convert from Fastron to Elreha controller



**Controller Conversion Kit (6C)**





## U.S. RANGE PARTS IDENTIFICATION

### Summit Series Gas Convection Oven

*models SGM-100/200*

#### (FASTRON) DIGITAL CONTROL PANEL & COMPONENTS

ITEM	PART#	DESCRIPTION	QTY	CRITICAL
1	1802599	Cover - Upper Control Panel OLD MODEL, LIMITED STOCK	1	
	1918501	Cover - Upper Control Panel, SS	1	
2	1835905	Overlay Top Control Panel Gas	1	
3	GF297	#10-24 x 1/2" Slotted Thumb Screw / Knurled Screw	1	
4	1952888	Control Panel Assembly - <b>Summit 45</b> Keypad, with Light Note: Assembly Includes a S/S Panel, a Key-Pad Control and Overlay (1908509).	1	
	CK1952887	Control Panel Assembly - <b>Summit 45+</b> Keypad, with Light Note: Assembly Includes a S/S Panel, a Key-Pad Control and Overlay (1908511).	1	
4A	1908509	Overlay - <b>Summit 45</b> with Light	1	
	1908511	Overlay - <b>Summit 45+</b> with Light	1	
5	1720502	Fluted Knob (Fast Control Knob)	1	
6A	1905702	<b>Summit 41</b> (410) Digital Controller <b>Note:</b> Use Kit 4530458 (#6C) Ref: Bulletin# BI-06-2012-P.	<b>NLA</b>	C
6B	1905703	<b>Summit 45</b> (450) Digital Controller with Cook-N-Hold <b>Note:</b> Use Kit 4530458 (#6C) or 4529707 (#6D), see illustration. Ref: Bulletin# BI-06-2012-P.	<b>NLA</b>	C
6C	4530458	Controller Replacement/Conversion Kit (Gas) - from digital to manual control <b>Note:</b> This Kit is the <b>ONLY OPTION</b> available for any unit built <b>before 31-March/2000</b> . Ref: Bulletin# BI-06-2012-P.	1	C
6D	4529707	Controller Replacement Kit - USRange <b>45</b> (Gas/Electric), Elreha <b>Note:</b> Use this Kit for any unit manufactured <b>after 01-April/2000</b> . Kit includes a panel assembly with Elreha control, a relay board assembly, a cable, a bracket and instructions (4529741). Ref: Bulletin# BI-06-2012-P.	1	C
6E	1905704	<b>Summit 45+</b> (455) Digital Controller with Cook-N-Hold and Core Probe <b>Note:</b> Use Kit 4529708 (item 6F). Ref: Bulletin# BI-06-2012-P.	<b>NLA</b>	C
6F	4529708	Controller Replacement Kit - USRange <b>45+</b> (Gas/Electric), Elreha <b>Note:</b> Kit includes a panel assembly with Elreha control, a relay board assembly, a cable, a bracket and instructions (4529741). Ref: Bulletin# BI-06-2012-P.	1	C
7	1911601	Potentiometer - Encoder	1	C
8	1906004	Core Probe (Meat Probe) - for <b>IM45+</b> Control Only	1	
9	1946701	Core Probe Bracket - for <b>IM45+</b> Control Only	1	
10	1933406	Bracket - Ignition Control for units with Fastron Control.	1	
11	1916901	Relay Board PCB Assy	1	C
11A	S113850	Relay Board Assembly Kit - 120V <b>Note:</b> Kit includes PCB Asm (1916901/item 11), transformer (1917199/item 12A), bracket (1916801/item 11B), nylon spacers and fasteners.	1	
	S113851	Relay Board Assembly Kit - 208-240V <b>Note:</b> Kit includes PCB Asm (1916901/item 11), transformer (1917198/item 12B), bracket (1916801/item 11B), nylon spacers and fasteners.		
11B	1916801	Bracket - Relay Board Assembly	1	
12A	1917199	Transformer 120V to 24VAC	1	C

\* NOT ILLUSTRATED

**RECOMMENDED STOCK PARTS**

**U.S. RANGE PARTS IDENTIFICATION**  
**Summit Series Gas Convection Oven**  
*models SGM-100/200*

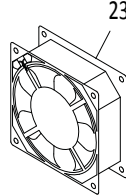
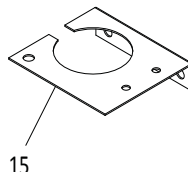
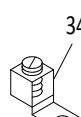
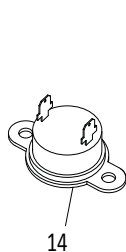
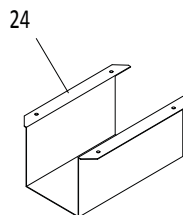
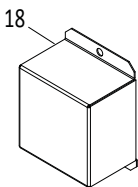
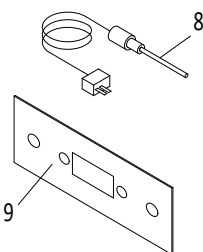
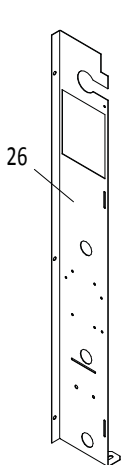
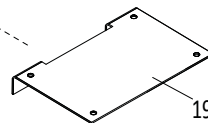
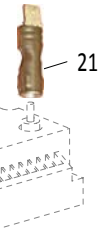
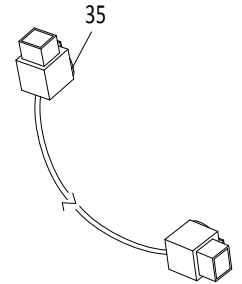
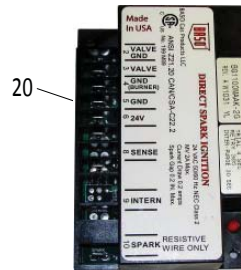
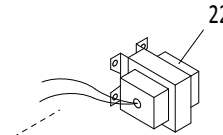
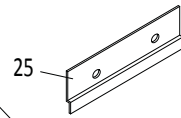
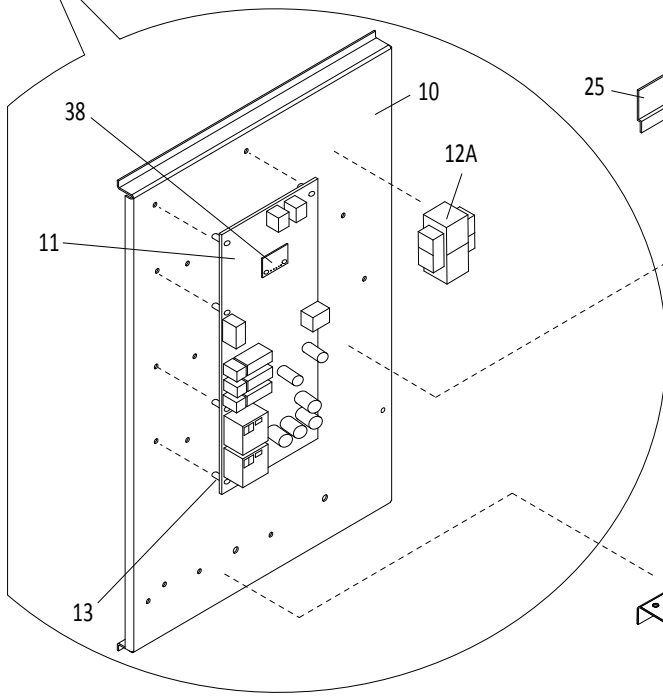
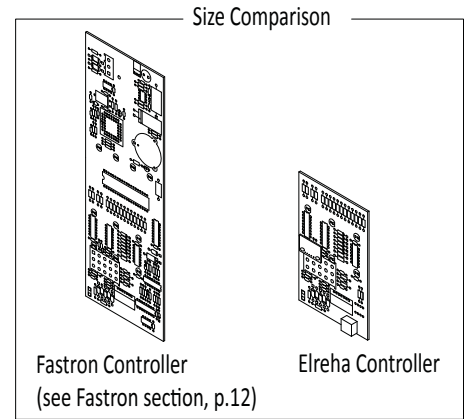
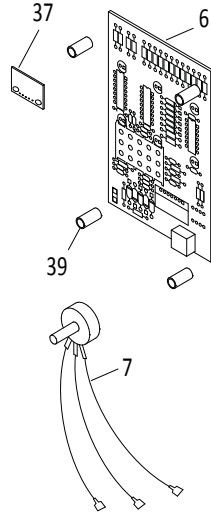
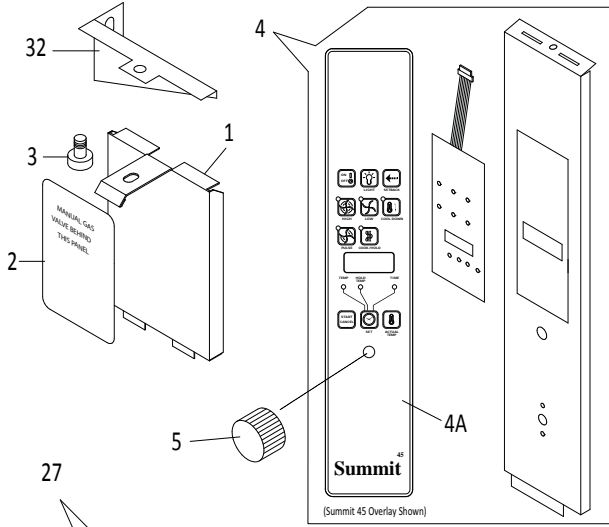
**(FASTRON) DIGITAL CONTROL PANEL & COMPONENTS**

ITEM	PART#	DESCRIPTION	QTY	CRITICAL
12B	1917198	Transformer 208/240V to 24VAC	1	C
13	1767901	Nylon PCB Spacer	4	
14	1955101	Switch - Thermal Disc, Cooling Fan	1	C
15	4519862	Bracket - Thermal Disc Switch	1	
16	1906003	Cable Assembly - Probe Extension <b>(USE ONLY WITH 1906002)</b> <b>Note:</b> Used from Nov-2000.	1	C
17	1906002	Probe - RTD, Flange Mount <b>(USE ONLY WITH 1906003)</b> <b>Note:</b> Used from Nov-2000.	1	C
18	1916301	Cover - Probe Connector	1	
19	4522605	Bracket - DSI Ignition Module	1	
20	4521585	DSI Ignition Module	1	C
21	1666300	1/4 Spade To Rajh Type Adaptor	1	
22	1269899	Transformer - Class 2,120V to 24V (with Insulated Slip on Terminal), for 115V-unit	1	C
	1636000	Transformer - 24VAC, for 208/240V-unit	1	C
23	1918201	Cooling Fan 120MM, 115V <b>Note:</b> Used UP To Sep-2009.	1	C
	1671100	Polar Fan 115V <b>Note:</b> For Fan Installation, refer to Service Bulletin B-97-2009-S.	1	C
	1918202	Cooling Fan 208V / 240V <b>Note:</b> Used UP To Sep-2009.	1	C
	1671101	Cooling Fan 208 / 240 V <b>Note:</b> For Fan Installation, refer to Service Bulletin B-97-2009-S.	1	C
24	1918001	Air Exhaust Duct - Standard Depth	1	
	1918002	Air Exhaust Duct - Deep Depth	1	
25	1911301	Relay Bracket Slide	2	
26	1926001	Panel - Right Side, Mid	1	
32	1918902	Bracket - Upper Control Panel Mounting	1	
34	1028402	Ground Lug (208/240V 1920102 module)	1	
39*	1804725	Main Wire Harness (in older units)	1	
40*	1949599	Wire Harness - 115V 60Hz Gas	1	
	1949598	Wire Harness - 208/240V 60Hz Gas	1	
41*	1949578	Wire Harness - Relay Board	1	
43*	1905901	Harness - Control to Relay	1	
44*	1905902	Wire Harness - Core Probe, for <b>IM45+</b> Control Only	1	
45*	1949579	Wire Harness - Lights	1	
46*	1936095	Wire Harness - Ignition Module (IPI/DSI)	1	
50*	1949501	Wiring Diagram 115V 60Hz Gas Fast Control	1	
	1949502	Wiring Diagram 208/240V Gas Fast Control	1	
<b>Note:</b> Diagram part#s listed For Reference Only. Please contact Technical Service for assistance.				

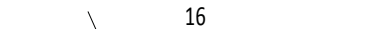
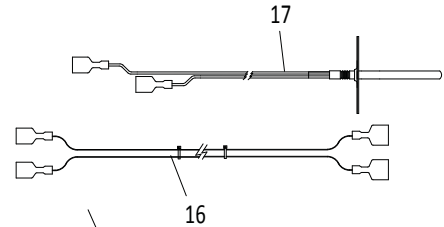
\* NOT ILLUSTRATED

**RECOMMENDED STOCK PARTS**

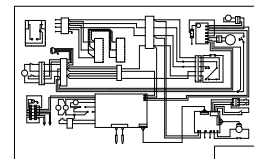
## (ELREHA) DIGITAL CONTROL PANEL & COMPONENTS



40 - 46  
(Wire Harnesses)



50 (Wiring Diagrams)



**U.S. RANGE PARTS IDENTIFICATION**  
**Summit Series Gas Convection Oven**  
*models SGM-100/200*

**(ELREHA) DIGITAL CONTROL PANEL & COMPONENTS**

ITEM	PART #	DESCRIPTION	QTY	CRITICAL
1	1918501	Cover - Upper Control Panel, SS	1	
2	1835905	Overlay Top Control Panel Gas	1	
3	GF297	#10-24 x 1/2" Slotted Thumb Screw / Knurled Screw	1	
4	4530504	<b>Summit 45</b> Control Panel Assembly (Elreha) <b>Note:</b> Assembly includes a S/S Control Panel, a Summit 45 Overlay (4529266), and a Key Pad Control(Membrane Switch). S/S Panel and Key Pad Not Sold Separately.	1	
	4530505	<b>Summit 45+</b> Control Panel Assembly Kit (Elreha) <b>Note:</b> Assembly includes a S/S Control Panel, a Summit 45+ Overlay (4529267), and a Key Pad Control(Membrane Switch). S/S Panel and Key Pad Not Sold Separately.	1	
4A	4529266	Overlay - <b>Summit 45</b> , with Light, Elreha	1	
	4529267	Overlay - <b>Summit 45+</b> , with Light, Elreha	1	
5	1720502	Fluted Knob (Fast Control Knob)	1	
6	4527483	User Interface Board / UI Board (Elreha)	1	
7	1911601	Potentiometer - Encoder	1	C
8	1906004	Core Probe (Meat Probe) - for <b>Summit 45+</b> Control Only	1	
9	1946701	Core Probe Bracket - for <b>Summit 45+</b> Control Only	1	
10	4528498	Bracket - Ignition Control/SRB, Elreha	1	
11	4527484	Relay Board / SRB - Digital Control, Elreha	1	C
12A	1917199	Transformer 120V to 24VAC	1	C
12B*	1917198	Transformer 208/240V to 24VAC	1	C
13	1767901	Nylon Spacers	8	
14	1955101	Switch - Thermal Disc, Cooling Fan	1	C
15	4519862	Bracket - Thermal Disc Switch	1	
16	1906003	Cable Assembly - Probe Extension ( <b>USE ONLY WITH 1906002</b> )	1	C
17	1906002	Probe - RTD, Flange Mount ( <b>USE ONLY WITH 1906003</b> )	1	C
18	1916301	Cover - Probe Connector	1	
19	4522605	Bracket - DSI Ignition Module	1	
20	4521585	DSI Ignition Module	1	C
21	1666300	1/4 Spade To Rajh Type Adaptor	1	
22	1269899	Transformer - Class 2,120V to 24V (with Insulated Slip on Terminal), for 115V-unit	1	C
	1636000	Transformer - 24VAC, for 208/240V-unit	1	C
23	1671100	Polar Fan 115V <b>Note:</b> For Fan Installation, refer to Service Bulletin B-97-2009-S.	1	C
	1671101	Cooling Fan 208 / 240 V <b>Note:</b> For Fan Installation, refer to Service Bulletin B-97-2009-S.	1	C
24	1918001	Air Exhaust Duct - Standard Depth	1	
	1918002	Air Exhaust Duct - Deep Depth	1	
25	1911301	Relay Bracket Slide	2	
26	1926001	Panel - Right Side, Mid	1	
27	S113848	Relay Board Assembly - Gas, Elreha <b>Note:</b> Assembly includes a mounting panel, relay board, personality module, transformer (1917199), and fasteners.	1	
32	1918902	Bracket - Upper Control Panel Mounting	1	
34	1028402	Ground Lug (208/240V 1920102 module)	1	
35	4529003	Cable - UI/SRB 0.5M Elreha	1	
37	4529740	Personality Module on UI, Elreha	1	

\* NOT ILLUSTRATED

**RECOMMENDED STOCK PARTS**



**U.S. RANGE PARTS IDENTIFICATION**  
**Summit Series Gas Convection Oven**  
*models SGM-100/200*

**(ELREHA) DIGITAL CONTROL PANEL & COMPONENTS**

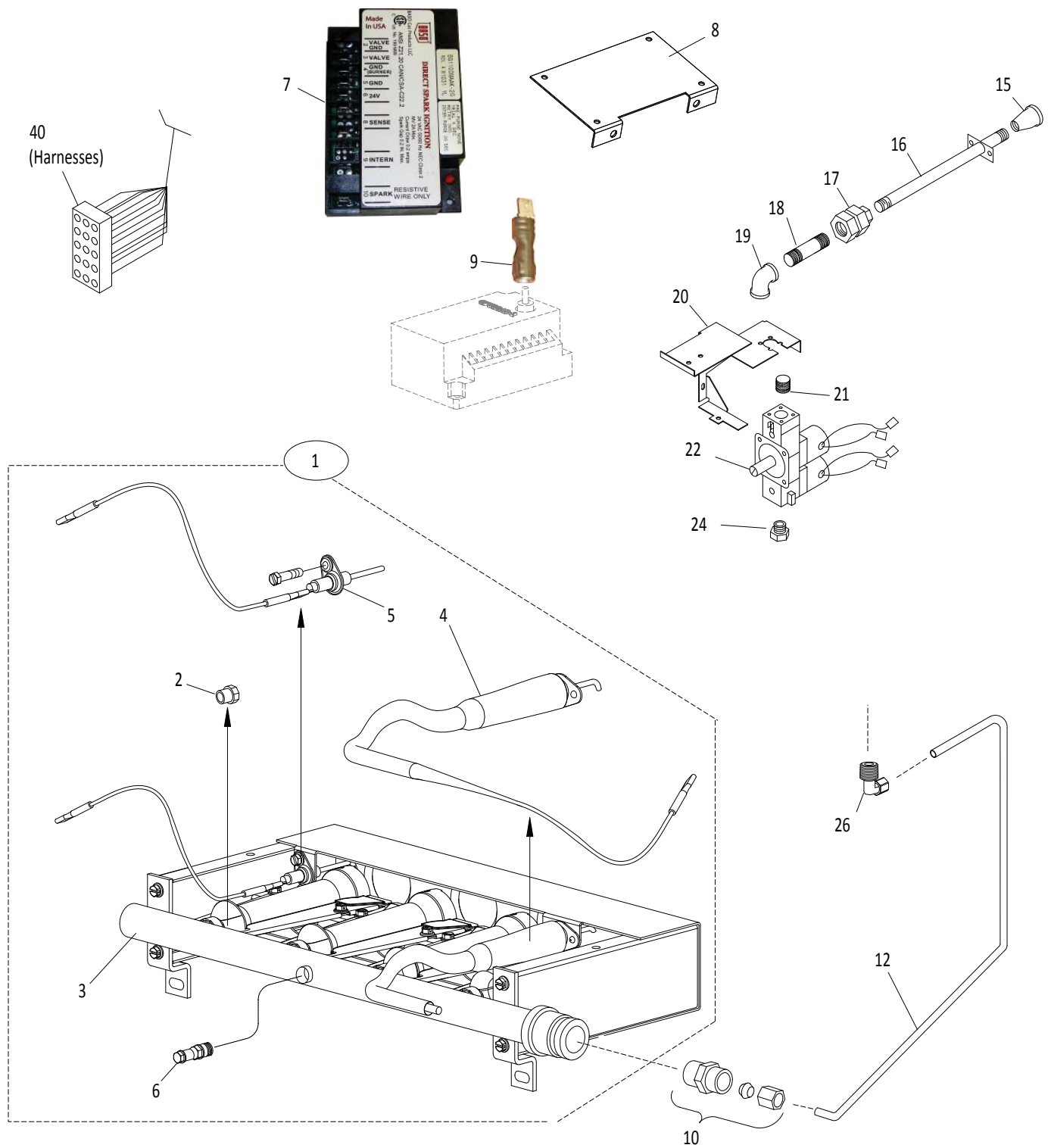
ITEM	PART #	DESCRIPTION	QTY	CRITICAL
38	4529761	Personality Module on Relay Board/SRB, Elreha	1	
39	1955703	Standoff Nylon, 1/4" dia.	4	
40*	1949599	Wire Harness - 115V 60Hz Gas	1	
	1949598	Wire Harness - 208/240V 60Hz Gas	1	
41*	1949578	Wire Harness - Relay Board	1	
44*	1905902	Wire Harness - Core Probe, for <b>Summit 45+</b> Control Only	1	
45*	1949579	Wire Harness - Lights	1	
46*	1936095	Wire Harness - Ignition Module (IPI/DSI)	1	
50*	1949501	Wiring Diagram 115V 60Hz Gas Fast Control	1	
	1949502	Wiring Diagram 208/240V Gas Fast Control	1	
<b>Note:</b> Diagram part#s listed For Reference Only. Please contact Technical Service for assistance.				

\* NOT ILLUSTRATED

**RECOMMENDED STOCK PARTS**



Blank Page



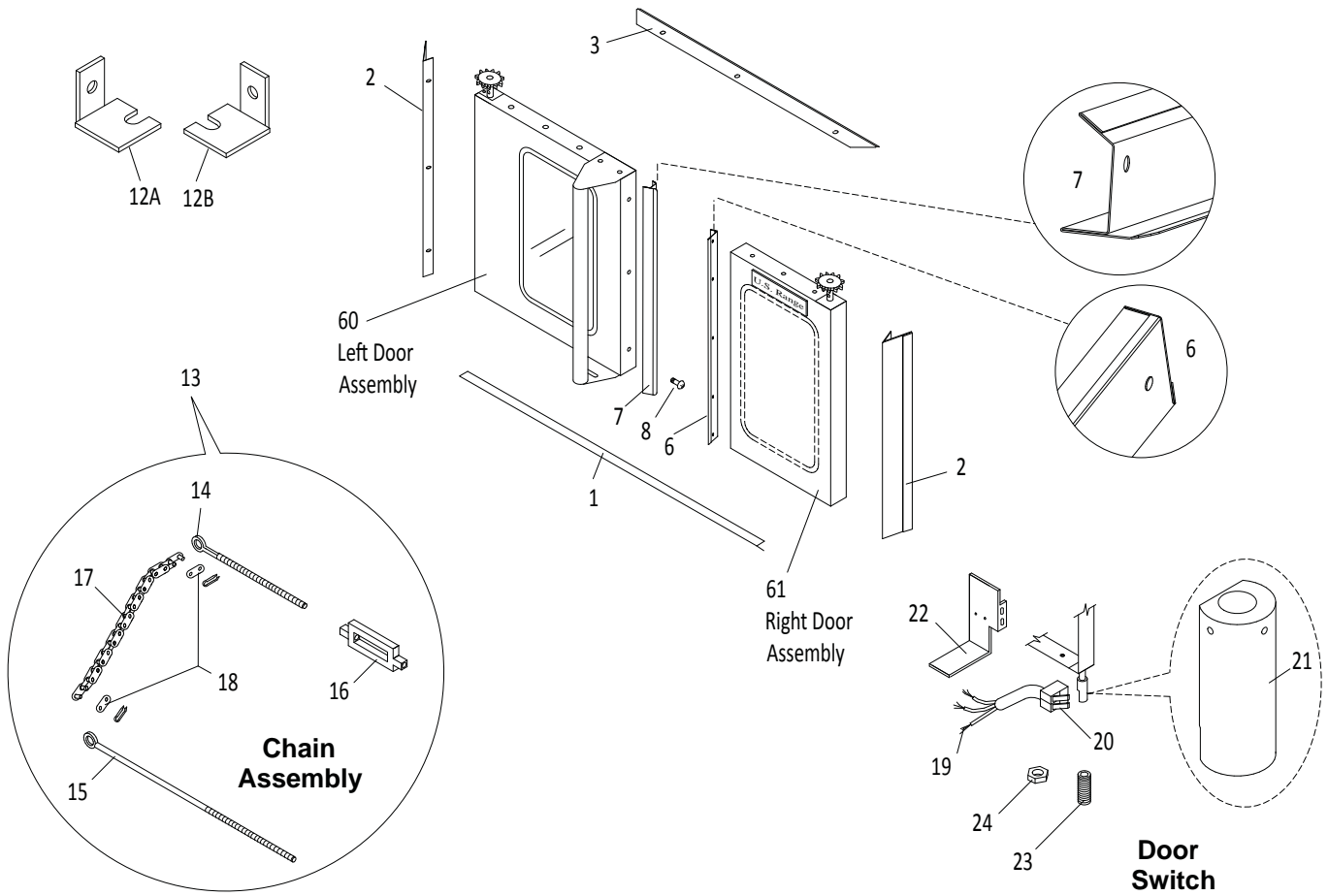
**U.S. RANGE PARTS IDENTIFICATION**  
**Summit Series Gas Convection Oven**  
*models SGM-100/200*

**BURNER PACKAGE**

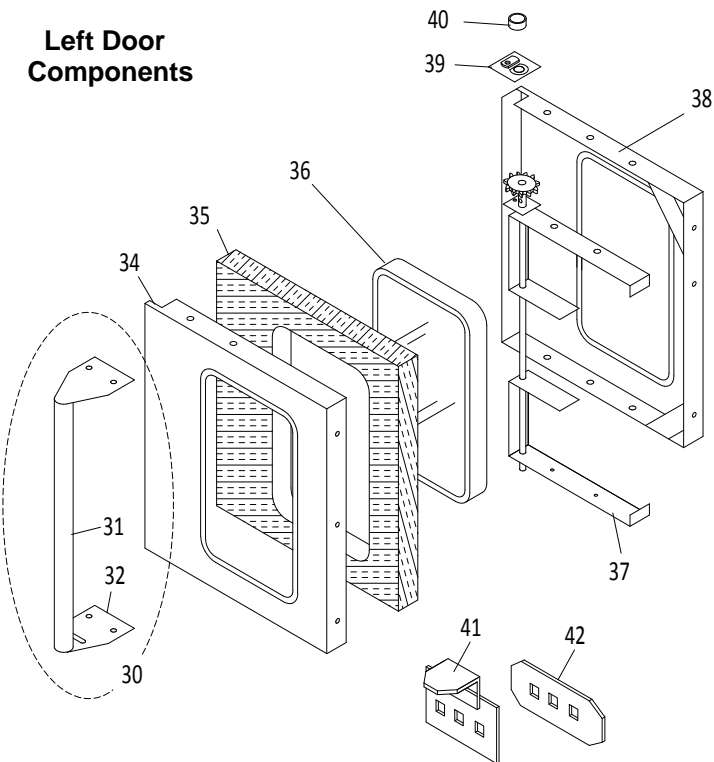
ITEM	PART #	DESCRIPTION	QUANTITY	CRITICAL
1	4521462	Burner Pack - DSI MCO 60K Natural	1	
	CK4521468	Burner Pack Converted - DSI MCO 80K Natural	1	
	CK4521464	Burner Pack Converted - DSI MCO 60K Propane	1	
2	4521466-04	Orifice, DSI MCO 80K Natural #47 <b>Note:</b> Use with Burner Pack CK4521468.	4	
	4521466-01	Orifice, DSI MCO 60K Propane #56 <b>Note:</b> Use with Burner Pack CK4521464.	4	
3	1916101	Manifold Pipe	1	
4	4523414	Ignitor - DSI Burner Pack	1	C
5	4523415	Flame Sensor – DSI Burner Pack	1	C
6	02251-1	Pressure Test Spigot	1	
7	4521585	DSI Ignition Module	1	C
8	4522605	Bracket - DSI Ignition Module	1	
9	1666300	1/4 Spade To Rajh Type Adaptor	1	
10	1095499	Straight Connector Assembly - 3/8 NPT x 7/16 CC (Includes Nut & Ferrule)	1	
12	1934308	Tubing - Gas Valve to Manifold	1	
15	1004849	Bell Reducer - 3/4 to 1/2 NPT	1	
16	1916199	Tailpipe - Standard	1	
	1916198	Tailpipe - Deep	1	
17	21302	Union - 1/2" NPT, Black (old P/N 1026903)	1	
18	14332	Nipple - 1/2" NPT x 3", Black (old P/N 1004644)	1	
19	05249	1/2" NPT x 90 Degree Elbow (old P/N 1026703)	1	
20	CK1918999	Bracket, Gas Valve Mount	1	
21C	14323	Close Nipple - 1/2" NPT x 1" Long (old P/N 1004640)	1	
22	1935701	Gas Valve - Natural Gas, Dual w/ Shut 4"	1	C
	1935702	Gas Valve - Propane Gas, Dual w/ Shut 10"	1	C
24	02558	Hex Bushing 1/2 x 3/8 NPT Black (old P/N 1038401)	1	
26	1027499	90 deg. Male Connector Assembly 7/16 CC x 3/8 NPT (includes a 7/16 CC Nut and a 7/16 CC Ferrule)	1	
40*	1936095	Wire Harness - Ignition Module (IPI/DSI)	1	

\* NOT ILLUSTRATED

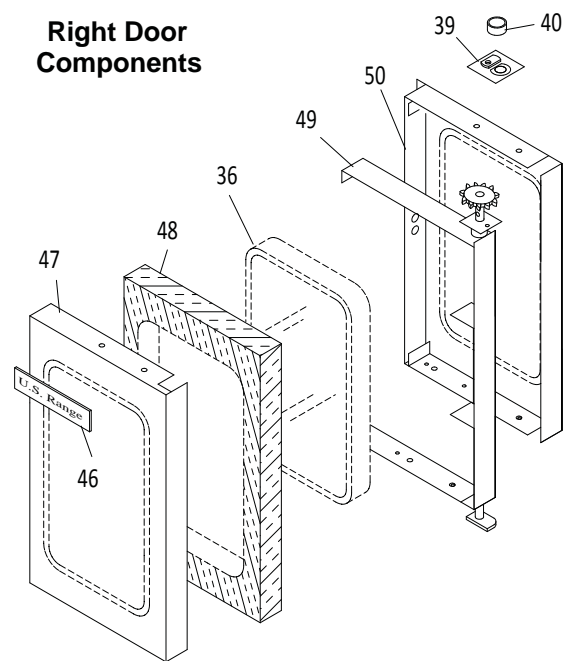
**RECOMMENDED STOCK PARTS**



**Left Door Components**



**Right Door Components**



Door

**U.S. RANGE PARTS IDENTIFICATION**  
**Summit Series Gas Convection Oven**  
*models SGM-100/200*

**DOOR COMPONENTS & ASSEMBLIES**

ITEM	PART #	DESCRIPTION	QUANTITY	CRITICAL
1	1924712	Seal - Door, Bottom	1	
2	1924601	Seal - Door, Left & Right	2	
3	1924711	Seal - Door Top	1	
6	1924411	Center - Right Door Seal	1	
7	1924412	Center - Left Door Seal	1	
8	8003123	Mscr - TH - Phil 10-24 x 5/8" Stl ZP (for Center Seals)		
12A	1925013	Bracket - Door Stop L/H	1	
12B	4519740	Bracket - Door Stop R/H	1	
DOOR CHAIN COMPONENTS (ITEMS 13 - 18)				
13	4520166	Door Chain Assembly <b>Note:</b> Includes Items 14-18.	2	C
14	1014201	Connecting Door Rod - Short <b>Note:</b> Item listed for reference only. Not Sold Separately.	2	
15	1014200	Connecting Door Rod - Long <b>Note:</b> Item listed for reference only. Not Sold Separately.	2	
16	1015000	Turnbuckle 1/4-20 with 4" Take Up	2	
17	1021100	Roller Chain #40	2	
18	1021299	Connecting Link #40	4	
DOOR SWITCH COMPONENTS (ITEMS 19 - 26)				
19	1949575	Wire Harness - Door Micro Switch, Mechanical Control (SGM Converted).	1	
	1804727	Wire Harness - Door Micro Switch, Digital Control.	1	
	1949573	Door Switch Wire Harness for <b>Gold Corral</b>	1	C
20	1855603	High Temp Micro Switch <b>Note:</b> For <b>units with Digital Controls.</b>	2	C
	4519715	Door Micro Switch - High Temp, High Current (SGM Converted)	2	C
21	1925101	Cam - Door Switch	1	
22	1925001	Bracket Door Switch Right	1	
23	8003802	10-24 x 3/8", Set Screw	2	
24	8001203	8-32 Nut, Hex, Steel	2	
25*	8001502	6-32 KEP Nut w/ Washer, Zinc Plated	2	
26*	8003208	6-32 x 2" Machine Screw, PH, Steel, Zinc Plated	2	

\* NOT ILLUSTRATED

**RECOMMENDED STOCK PARTS**

**U.S. RANGE PARTS IDENTIFICATION**  
**Summit Series Gas Convection Oven**  
*models SGM-100/200*

**DOOR COMPONENTS & ASSEMBLIES**

ITEM	PART #	DESCRIPTION	QUANTITY	CRITICAL
<b>LEFT &amp; RIGHT DOOR COMPONENTS (Window / Solid)</b>				
30	CK1924396	Door Handle Assembly- Black <b>Note:</b> Assembly includes items 31, 32, 33.	1	
31	1924195	Tube Door	1	
32	1924206	Plate - Door Handle	2	
33*	8003605	1/4-20 x 1" Carriage Bolt, Black	2	
34	1924001	Panel - Left Door (Solid)		
	1924002	Panel - Left Door (Window)	1	
	1924007	Panel - Left Door (Solid - Prison)	1	
	1924011	Panel - Left Door (Window - Prison)	1	
35	1915914	Insulation - Left Door (Window)	2	
	1915915	Insulation - Left Door (Solid)	1	
36	<b>1010999</b>	<b>Oven Door Window - 3/16" Glass (Window Option)</b>		
37	4520373	Weld Assembly Frame Left Door Extended Bearing Plate	1	
38	CK1923997	Panel - Left Door Liner (Window) <b>Note:</b> For both Standard and Prison Models.	1	
	1923996	Panel - Left Door Liner (Solid) <b>Note:</b> For both Standard and Prison Models.	1	
39	4520301	Plate - Door Bushing Extended	2	
40	1923201	Spacer - Door Hinge	2	
41	1925099	Door Hasp Bracket Weldment Assembly (Prison, Left Door)	1	
42	1925009	Plate - Door Hasp Back (Prison, Left Door)	1	
43*	8003603	3/8-16 x 3/4 Carriage Bolt (Prison, Left Door)	3	
	8001210	3/8-16 Hex Nut Stl Zinc (Prison, Left Door)	3	
	8000308	3/8 x 3/4 Flat Washer Stl Zinc (Prison, Left Door)	3	
	8000207	3/8 x 11/64 x 3/32 Split Lock Washer, Stl Zinc (Prison, Left Door)	3	
46	3077102	7-5/8" U.S. Range Nameplate (for non-Prison Door)	1	
47	1924003	Panel - Right Door (Solid)	1	
	1924008	Panel - Right Door (Solid - Prison)	1	
	1924004	Panel - Right Door (Window)	1	
48	1915916	Insulation Right Door (Window)	1	
	1915917	Insulation - Right Door (Solid)	1	
49	4520374	Weld Assembly Frame Right Door Extended Bearing Plate	1	
50	1923998	Panel - Right Door Liner (Solid) <b>Note:</b> For both Standard and Prison Models.	1	
	1923999	Panel - Right Door Liner (Window)	1	

\* NOT ILLUSTRATED

**RECOMMENDED STOCK PARTS**

**U.S. RANGE PARTS IDENTIFICATION**  
**Summit Gas Convection Ovens**  
*models* **SGM-100/200, SUMG-100/200**

**COMPLETE DOOR ASSEMBLIES**

<b>ITEM</b>	<b>PART #</b>	<b>DESCRIPTION</b>
<b>LEFT DOOR - COMPLETE ASSEMBLIES</b> (includes Left Door Components and the Left Door Center Seal)		
60	4520318	USR Complete Door Kit - Left (WINDOW)
	4520320	USR Complete Door Kit - Left (SOLID)
<b>RIGHT DOOR - COMPLETE ASSEMBLIES</b> (includes Right Door Components and the Right Door Center Seal)		
61	4520319	USR Complete Door Kit - Right (WINDOW)
	4520321	USR Complete Door Kit - Right (SOLID)

\* NOT ILLUSTRATED

***RECOMMENDED STOCK PARTS***

**U.S. RANGE PARTS IDENTIFICATION**  
**Summit Gas Convection Ovens**  
*models SGM-100/200*

**LIST OF WIRING DIAGRAMS & AVAILABLE KITS**

**WIRING DIAGRAMS**

*(For Reference Only - Contact Technical Service Department for assistance)*

<b>PART #</b>	<b>DESCRIPTION</b>
1949501	<b>SGM</b> 115V 60Hz Gas Digital Control
1949502	<b>SGM</b> 208/240V Gas Digital Control
4522595	Conversion - Fastron Digital Control Converted to Manual Control

**GAS CONVERSION KITS**

*(Contact Parts Department for assistance)*

<b>PART #</b>	<b>DESCRIPTION</b>
4526640-2	Gas Conversion Kit for 60,000 BTU/HR Natural Gas Final Configuration (Ref: 113412)
4526640-3	Gas Conversion Kit for 80,000 BTU/HR Natural Gas Final Configuration (Ref: 113413)
4526640-1	Gas Conversion Kit for 60,000 BTU/HR Propane Gas Final Configuration (Ref: 113414)

**SINGLE & DOUBLE DECK KITS (OPEN BASE, LEGS & CASTERS)**

*(For Reference Only - Contact Sales Department for assistance)*

<b>PART #</b>	<b>DESCRIPTION</b>
1951213	Single Deck S/S Open Base & Feet Kit
1951214	Single Deck S/S Open Base & Casters
1951204	Single Deck S/S Legs & Feet Inserts
1951205	Single Deck S/S Legs and Casters
1951209	Double Deck - Kit MCO - Heavy Duty Casters
1951210	Double Deck - Kit MCO - LO-Profile Casters
1951223	Double Deck Gas W/Inserts S/S Legs
1951226	Double Deck Gas W/Casters
1951228	Double Deck Gas W/Lo Profile Casters

**VENTILATION KITS**

*(For Reference Only - Contact Sales Department for assistance)*

<b>PART #</b>	<b>DESCRIPTION</b>
1951217	Direct Connect Venting Kit
1951229	S/S Canopy Diverter for MCO/Summit



## U.S. RANGE PARTS IDENTIFICATION

### RELATED BULLETINS

BULLETIN #	SUBJECT	DATE
B-97-2009-S	New Axial Cooling Fan Install Instructions	SEP 17 /2009
GAR-03-12-AIC	Master 200 Series Controller P/N 1955501	FEB 8 / 2012
BI-06-2012-P	Controllers (Digital Controller Replacement Kits)	FEB 22 / 2012
GAR-11-12-AC	Convection Ovens — NEW ELREHA Controller Critical & Recommended Stock Parts	SEP 21/2012

### REVISION HISTORY (SGM)

REV#	SECTION	ITEM#	NOTES	DATE
2 - 4			Refer to Parts List for Units Built UP TO 0709100242026 (file: "U_GO_PL_CONVECTION_SGMUPTO 07091002").	2007
5	26		New Gas Conversion Kits: 4526640-2 (113412), 4526640-3 (113413), 4526640-1 (113414). Ref: Install Instructions 260BFG. (CLV part#s used in install instructions.)	SEP 24/12
	7		Painted exterior parts NLA. Removed 1920202, 1918702, 1918802, 1921002, 1921004.	
	7		Removed old parts - 1921098, 1921097 - Std & Deep Depth's Main backs (prison) - both used UP TO Feb/2012.	
	9	38	Added insulation kits 113361, 113364.	
	10-11		New, for Converted Units	
	11-19		<ul style="list-style-type: none"> <li>• Two Sections - Fastron and new Elreha controllers.</li> <li>• Fastron pages: added new conversion kits (Fastron to Elreha); added new Fastron relay board kit S113850; added ignition module photo; listed overlays part#.</li> <li>• Elreha pages: new pages - Elreha control panel kits; new Elreha overlays; new relay board asm S113848; and, other new components.</li> </ul>	
27		Added bulletins.		

 ***U.S. Range***<sup>®</sup>

 ***Manitowoc***