



Regal Series Stock Pot Stoves

Item: _____

Quantity: _____

Project: _____

Approval: _____

Date: _____

Regal Series Stock Pot Stoves

Models:

SP-1844

SP-1844-2F

SP-1844-2S



SP-1844



SP-1844-2F

Standard Features:

- One-piece heavy cast reinforced top grate
- Large capacity, removable drip pan
- High speed ring-type burners with total input of 45,000 BTU/hr (SP-1844) and 90,000 BTU/hr (SP1844-2F/2S) (inner ring burner - 15,000 BTU/hr, outer ring burner - 30,000 BTU/hr)
- One gas control per burner
- Standing pilot for instant lighting
- 3/4" gas regulator
- Exterior finish – stainless steel

Specification:

Shall be U.S. Range Stock Pot, Model _____
Total BTU/Hour rating of _____ when used with natural/propane gas. Finish is to be stainless steel.



Model Number	Description	Total BTU Propane & Natural Gas
SP-1844	Single Stock Pot with Stainless Steel Tubular Legs	45,000
SP-1844-2F	Double (Front-to-Back) Stock Pot with Stainless Steel Tubular Legs	90,000
SP-1844-2S	Double (Side-to-Side) Stock Pot with Stainless Steel Tubular Legs	90,000

Specifications								
Model #	Dimensions: In. (mm)			No. of Burners	Input (BTU/hr) Natural & Propane			Gas Manifold
	Width	Depth	Height		Inner Ring	Outer Ring	Total	
SP-1844	18 (457)	21 (533)	25 (635)	2	15,000	30,000	45,000	3/4 NPT
SP-1844-2F	18 (457)	39 (991)	25 (635)	4	15,000	30,000	90,000	3/4 NPT
SP-1844-2S	36 (914)	21 (533)	25 (635)	4	15,000	30,000	90,000	3/4 NPT

Gas input ratings shown here are for installations up to 2000 ft. (610m) above sea level. Specify altitudes over 2,000 ft.

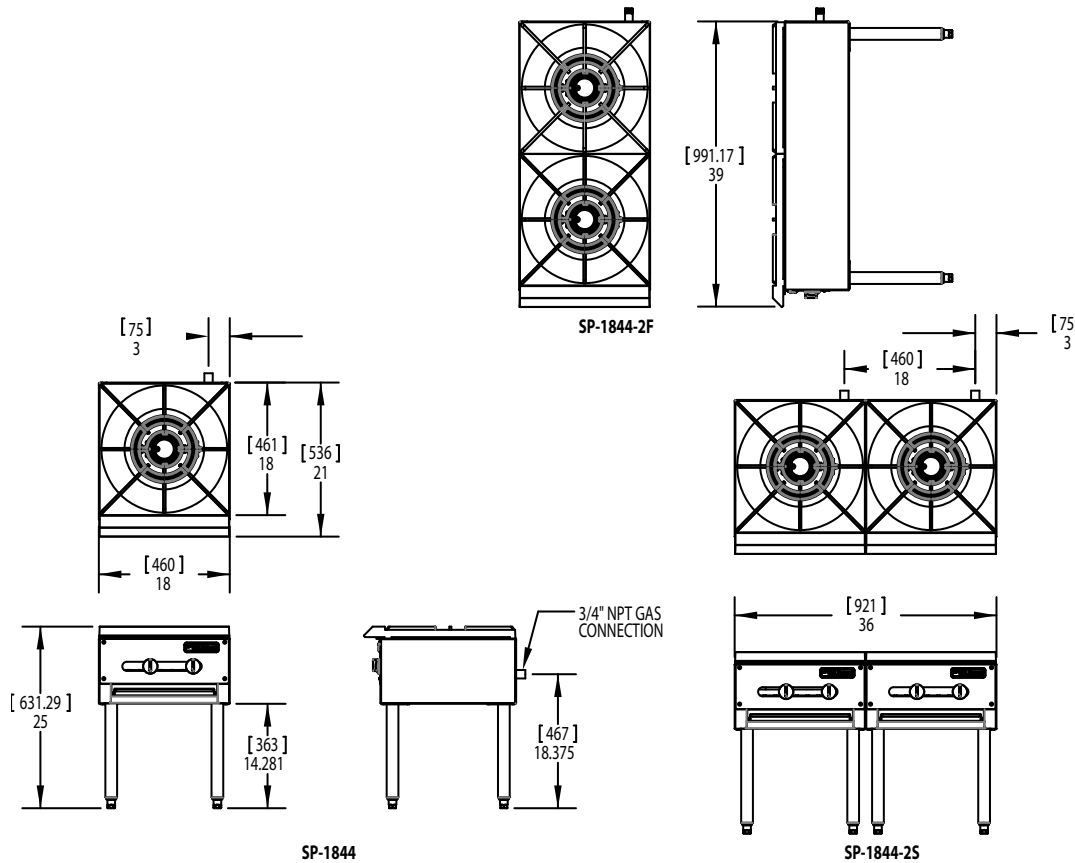
Please specify gas type when ordering.

US Range products are not approved for residential use and are intended for commercial applications only. Garland will not provide service, warranty, maintenance or support of any kind other than in commercial installations.

Local installation codes may exist and it is the responsibility of the owner and installer to comply with these codes

Manifold Operating Pressure All Models	
Natural Gas	Propane
5" WC (12.5 Mbar)	10" WC (25 Mbar)

Shipping Information		
Model #	Weight Lb/Kg	Cu Ft
SP-1844	106/48	9
SP-1844-2F	212/96	18
SP-1844-2S	212/96	18



Form# SP (07/26/11)