



SX SERIES RANGES

PARTS LIST

Toll Free Phone, (US & Canada): (800) 427-6668

Toll Free Fax, (US & Canada): (800) 361-7745

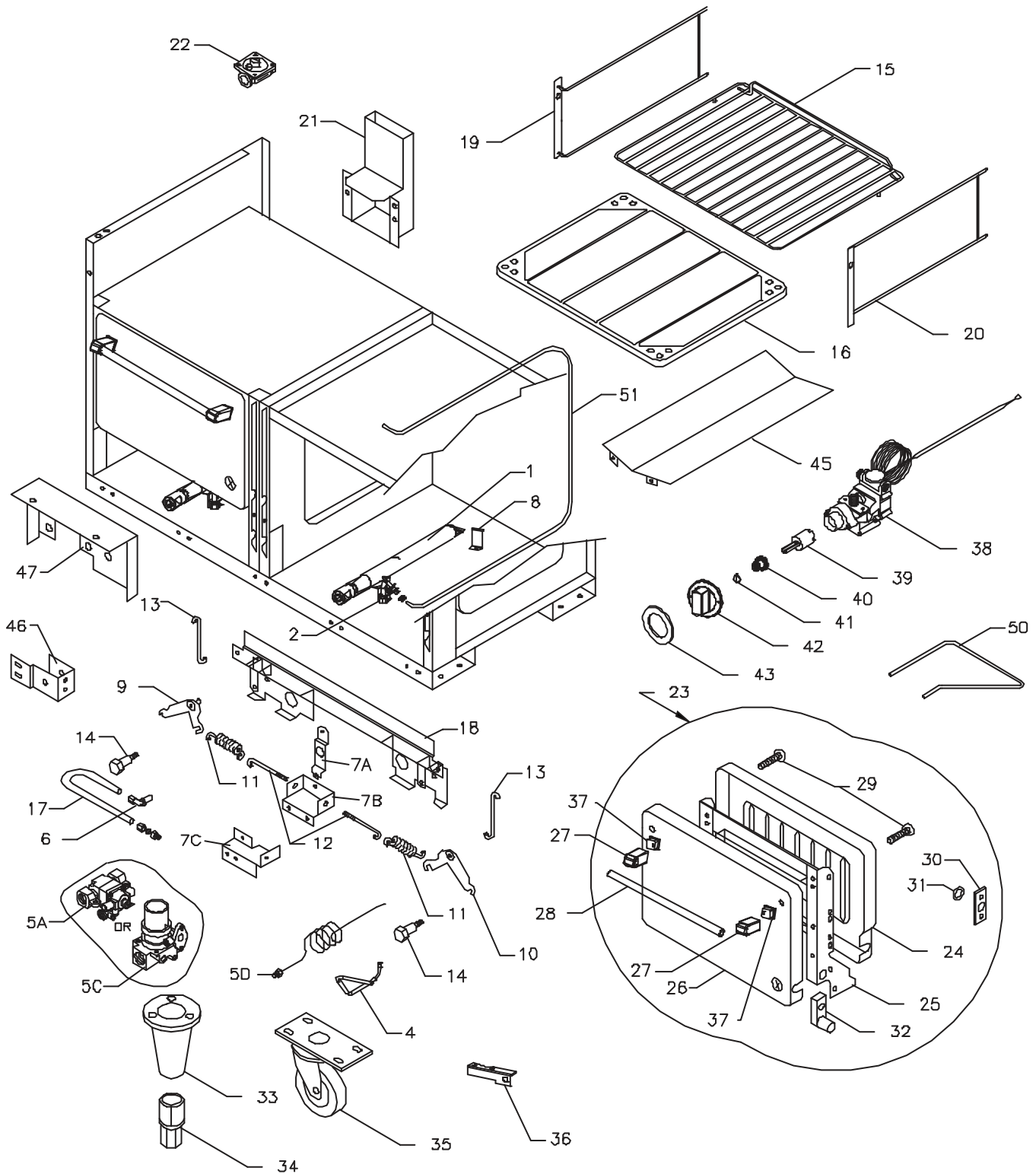
<http://www.garland-group.com>



SX SERIES RANGES

Contents:

SX Standard Oven	Page 4
Open Top Burners	Page 8
Hot Top	Page 10
Valve Controlled Griddle Top.....	Page 12
Raised Broiler/Griddle Top	Page 14
Backguards & High Shelves	Page 16
Exterior Finish	Page 18
SX Retrofit Kit - Oven Safety Valve	Page 20
Part Digital Photos.....	Page 21
Revision History	Page 23



SUNFIRE RANGE PARTS IDENTIFICATION

SX Series Ranges

Standard Oven

ITEM	PART #	DESCRIPTION	QUANTITY		DATE	
			20" Oven	26" Oven	UP TO	FROM
1	3100199	Steel Oven Burner Assembly	1	1		
2>	1415300	Pilot Burner Assy Natural Gas	1	1		
	1415301	Pilot Burner Assy LP	1	1		
4	4512894	Oven Pilot Tubing	1	1		
5A>	G01479-01	TS11J Safety Valve (Refer to Photo - Page 21)	1	1		
5C>	1415703	High Temperature Basco Valve (Refer to Photo - Page 21) See Page 20 for complete fittings/tubing used with Basco Valve	1	1		
5D>	4518817	Thermocouple 18" Long	1	1		
6	1415536F	Oven Orifice Fitting Assy #36 Nat		1		
	M9-36	Orifice Hood #36 Nat		1		
	1415540F	Oven Orifice Fitting Assy #40 Nat	1	1(SX-6-26A)		
	M9-40	Orifice Hood #40 Nat	1	1(SX-6-26A)		
	1415551F	Oven Orifice Fitting Assy #51 LP		1		
	M9-51	Orifice Hood #51 LP		1		
	1415554F	Oven Orifice Fitting Assy #54 LP	1			
	M9-54	Orifice Hood #54 LP	1			
7A	1415553F	Oven Orifice Fitting Assy #53 LP		1(SX-6-26A)		
	M9-53	Orifice Hood #53 LP		1(SX-6-26A)		
7A	2635100	Oven Orifice Bracket	1	1		
7B	2301300	Door Spring Support		1		
7C	4518231	Door Spring Support	1			
8	3100200	Burner Support Bracket	1	1		
9	1082198	L/H Bell Crank Assembly	1	1		
	1082199	R/H Bell Crank Assembly	1	1		
10	1082196	Oven Door Bell Crank 24"	1			
11	4512250	Oven Door Spring	1	2		
12	9004701	Oven Door Spring Hook		2		
	G01246-1-8	Oven Door Spring Hook	1			
13	1082802	Oven Door Hinge Link RT	1	1		
	1082803	Oven Door Hinge Link LT		1		
14	F299	Bell Crank Bolt	1	2		
15	2301200	Oven Rack		1		
	2301201	Oven Rack	1			
16	1438499	Oven Bottom Assy		1		
	2157098	Oven Bottom Assy	1			
17A	1392500	7/16 Tubing - Safety Valve to Orifice Used W/TS11 Safety Valve	1	1		
17B	4518708	7/16 Tubing - Safety Valve to Orifice Used W/Baso Safety Valve	1	2		
18	3051900	Lower Front Plate		1		
19	1781604	Oven Rack Slide Assy LT 2 Position	1	1		
20	1781603	Oven Rack Slide Assy RT 2 Position	1	1		
21	1005399	Oven Flue Riser	1	1		
22	2127502	Gas Regulator Natural 4.5"	1**	1**		
	2127500	Gas Regulator LP 10"	1**	1**		

^ NOT ILLUSTRATED

> PHOTO AT END

RECOMMENDED STOCK PARTS

* Note: On Units Equipped With Casters Only

** All Except Model SX-6-26A

SUNFIRE RANGE PARTS IDENTIFICATION

SX Series Ranges

Standard Oven

ITEM	PART #	DESCRIPTION	QUANTITY		DATE	
			20" Oven	26" Oven	UP TO	FROM
23	CK137J	Oven Door Assy (Complete - Sunfire)		1		
	4515631	Oven Door Assy (Complete - Blank)		1		
	4515145	Oven Door Assy (Complete - Sunfire)	1			
24	1439796	Oven Door Lining Enamelled		1		
	1439795	Oven Door Lining Enamelled	1			
25	3093799	Oven Door Insert Assy		1		
	3093798	Oven Door Insert Assy	1			
26	1080705	Oven Door Panel (Sunfire)		1		
	1080714	Oven Door Panel (Blank)		1		
	1439903	Oven Door Panel (Blank)	1			
	1439907	Oven Door Panel (Sunfire)	1			
27	3007300	Handle End LT & RT	2	2		
28	3017000	Oven Door Handle		1		
	3017001	Oven Door Handle	1			
29	F540	Handle Assy Attachment Screw	2	2		
30	1083001	Trunion Support	2	2		
31	1082700	Harness Ring	2	2		
32	1082500	Door Trunion	2	2		
33	1027600	Leg Retainer	4	4		
34	1150502	Bullet Foot	4	4		
35	1027800	Caster w/o Brake (except SX-6-26A)	2	2	Dec-10-04	
	4519432	Swivel Caster	2	2		Dec-10-04
	1027801	Caster w/Brake (except SX-6-26A)	2	2	Dec-10-04	
	4519433	Swivel Caster with Break	2	2		Dec-10-04
	4513676	Caster w/o Brake (SX-6-26A only)		2		
	4513677	Caster w/Brake (SX-6-26A only)		2		
36	1748701	Restraint Attachment Bracket*	1	1		
37	3010000	Oven Door Spacer	2	2		
38	1086700	BJW Thermostat (Oven)	1	1		
39	2527700	BJW Knob Adapter (Celsius)	1	1		
40	3043200	Knob Hub (Celsius)	1	1		
41	3043300	Spring Retainer (Celsius)	1	1		
42	1086703	Oven Knob with Temp Readings (Fahrenheit) Photo Next Page	1	1		
	3043100	Oven Knob Photo Next Page	1	1		
43	3049100	Thermostat Dial Insert (Celsius) Only Used with Part # 3043100 Knob Photo Next Page	1	1		
44^	G03601-1	Pilot Shut-Off Valve 1/4 Turn		1(SX-6-26A)		
45	2704002	SX Fire Plate		1		
46	1357301	Bell Crank Support	1			
47	2298600	Front Air Shield	1	1		
50A	1439300	Oven Tubing (Left-Hand STD Oven) 7/16" O.D.		1		
50B	1439500	Oven Tubing (Right-Hand STD Oven) 7/16" O.D.	1	1		
50C	4519868	Oven Tubing 7/16" dia – Oven Orifice to Stat – BG STD		1		

Tubing Used With Baso Safety Valve

^ NOT ILLUSTRATED

> PHOTO AT END

RECOMMENDED STOCK PARTS

* Note: On Units Equipped With Casters Only

** All Except Model SX-6-26A

SUNFIRE RANGE PARTS IDENTIFICATION

SX Series Ranges

Standard Oven

ITEM	PART #	DESCRIPTION	QUANTITY		DATE	
			20" Oven	26" Oven	UP TO	FROM
51A	4518711	Oven Tubing 3/6" Dia. -Tubing Gum Valve to Baso Valve BG STD Oven		1		
51B	4518709	Oven Tubing 3/6" Dia. -Tubing Gum Valve to Baso Valve STD Oven	1	1		
Tubing Used With TS11 Safety Valve						
52A^	4512892	Oven Tubing 3/6" Dia. -Tubing Gum Valve to TS11 Valve STD Oven		1		
52B^	4515599	Oven Tubing 3/6" Dia. -Tubing Gum Valve to TS11 Valve BG STD Oven	1	1		

^ NOT ILLUSTRATED

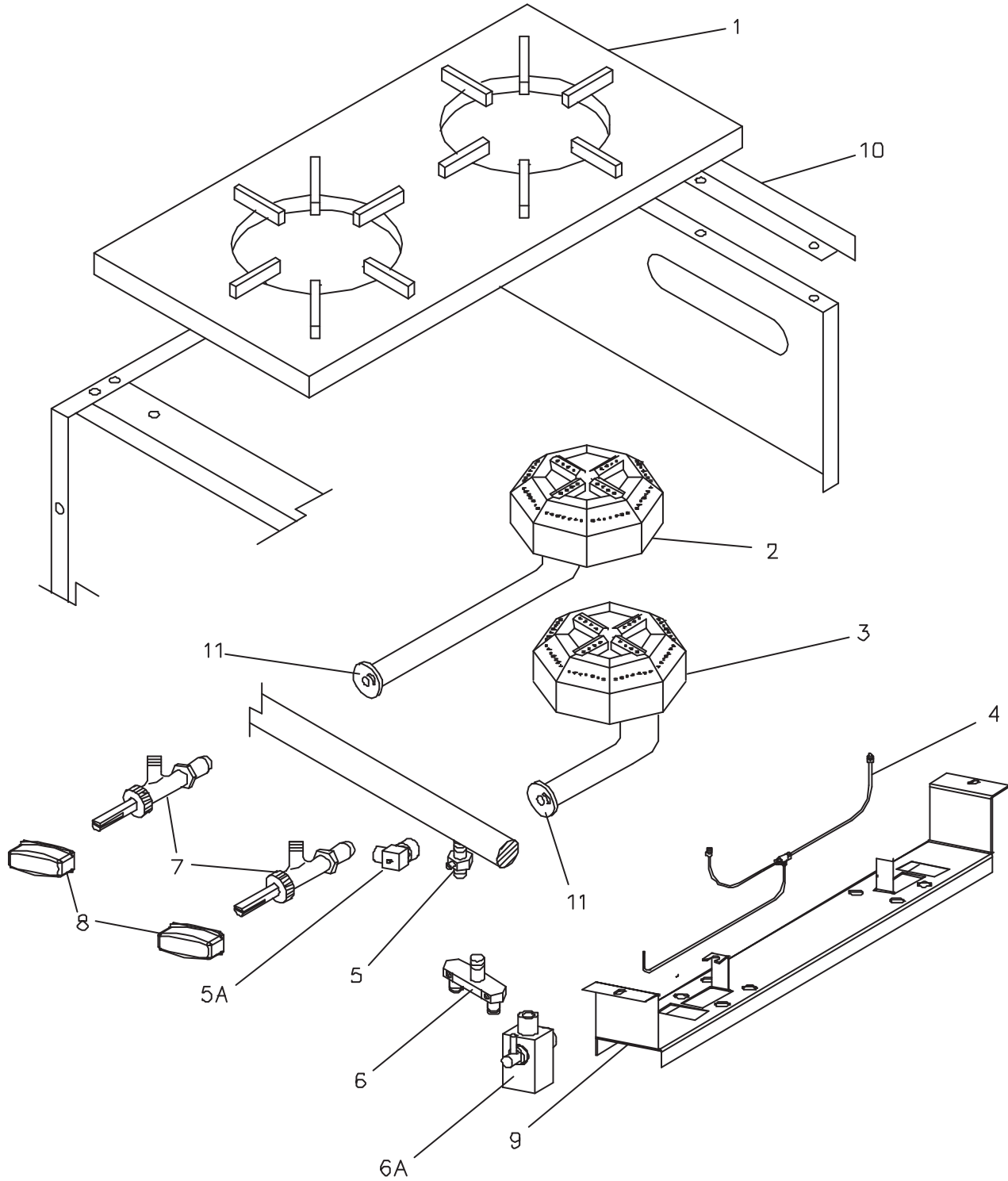
> PHOTO AT END

RECOMMENDED STOCK PARTS

* Note: On Units Equipped With Casters Only

** All Except Model SX-6-26A





SUNFIRE RANGE PARTS IDENTIFICATION

SX Series Ranges

Open Top Burners

ITEM	PART #	DESCRIPTION	QUANTITY	DATE	
				UP TO	FROM
1	2706901	Top Grate	1		
2	3019000	Open Top Burner Rear	1		
3	3019001	Open Top Burner Front	1		
4	4515518	Open Burner Pilot Tube Assy	1		
5	1086597	Pilot Adjust Valve 3/16	1		
		3/16 Ferrule incl w/1086597,G03674-2	1		
		3/16 cc Nut incl w/1086597, G03674-2	1		
5a	G03674-2	Pilot Adjust Valve 3/16, 90 Deg	1 (SX-6-26A only)		
6	1510402	Pilot Adjust Valve (Double) 3/16	As Req'd.		
		3/16 Ferrule Included with 1510402	2		
		3/16 cc Nut Included with 1510402	2		
6a	G03601-1	Pilot Shut-Off Valve - 1/4 turn	1 (SX-6-26A only)		
7	26878XX	Valve Assy Less Hood LML-15	2		
	4512102	Valve Assy Less Hood (SX-6-26A)	2		
	M8-44	Orifice Hood #44 (Natural) 22,000 BTU	2	24-Jul-06	
	M8-39	Orifice Hood # 39 (Natural) 28,000 BTU	2		25-Jul-06
	M8-54	Orifice Hood #54 (Propane) 22,000 BTU	2	24-Jul-06	
	M8-1500	Orifice Hood #1.5 (Popane) 28,000 BTU	2		25-Jul-06
	M8-55	Orifice Hood #55 (Propane) (SX-6-26A)	2		
8	1089100	Knob Handle	2		
9	2702104	Burner Hanger	1		
10	3094012	Drip Angle 12"	As Req'd.		
	3094024	Drip Angle 24"	As Req'd.		
	3094036	Drip Angle 36"	As Req'd.		
	3094060	Drip Angle 60"	As Req'd.		
11	1028002	Air Shutter	2		

^ NOT ILLUSTRATED

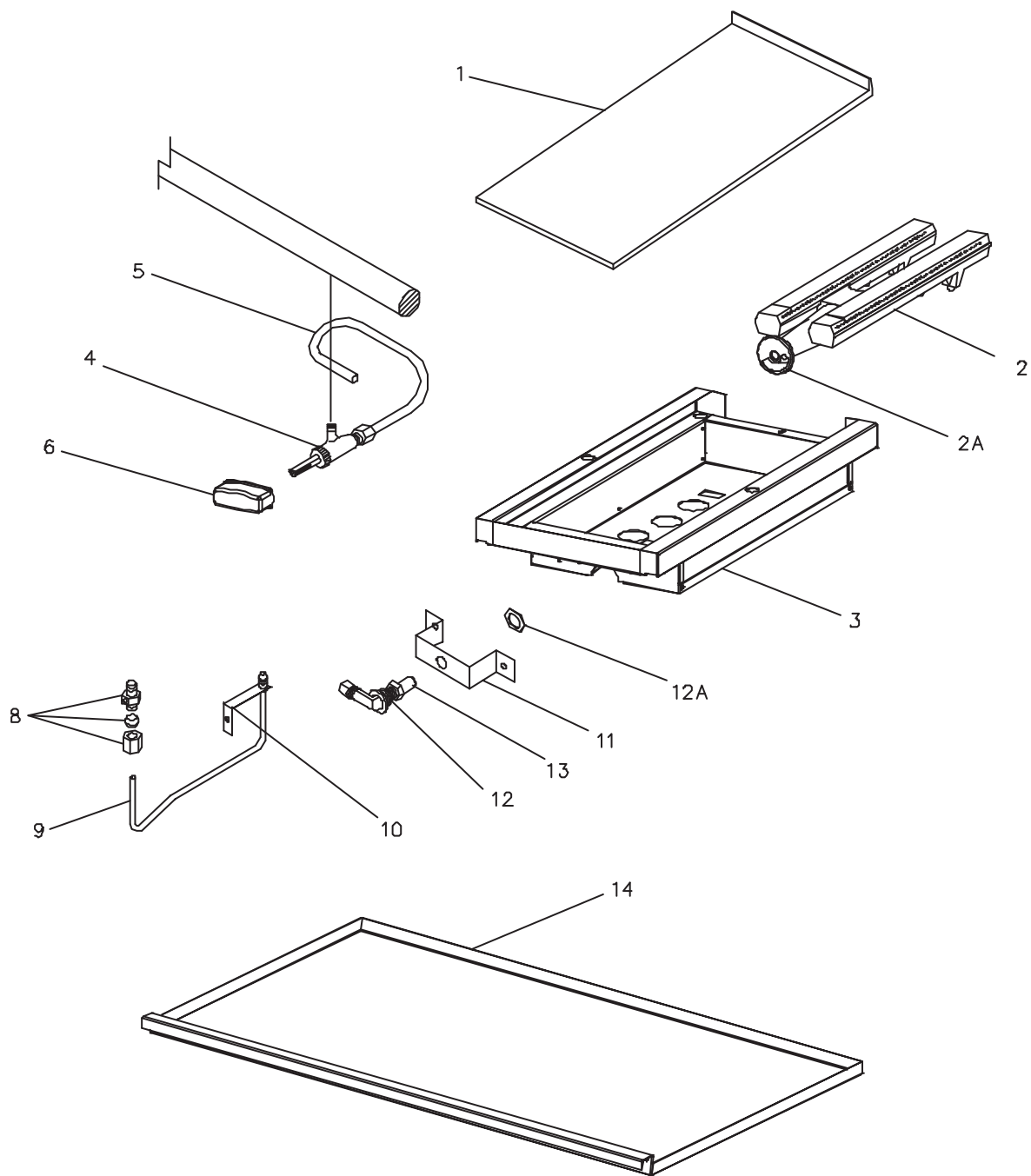
RECOMMENDED STOCK PARTS

NOTE: First Range Manufactured With Aluminized Oven Cavity, (Sides Back & Top Lines) & Increased Top Burner BTU Outputs.

DATE: July 25, 2006

MODEL: SX624BG2626-003

SERIAL: 060710014746



SUNFIRE RANGE PARTS IDENTIFICATION

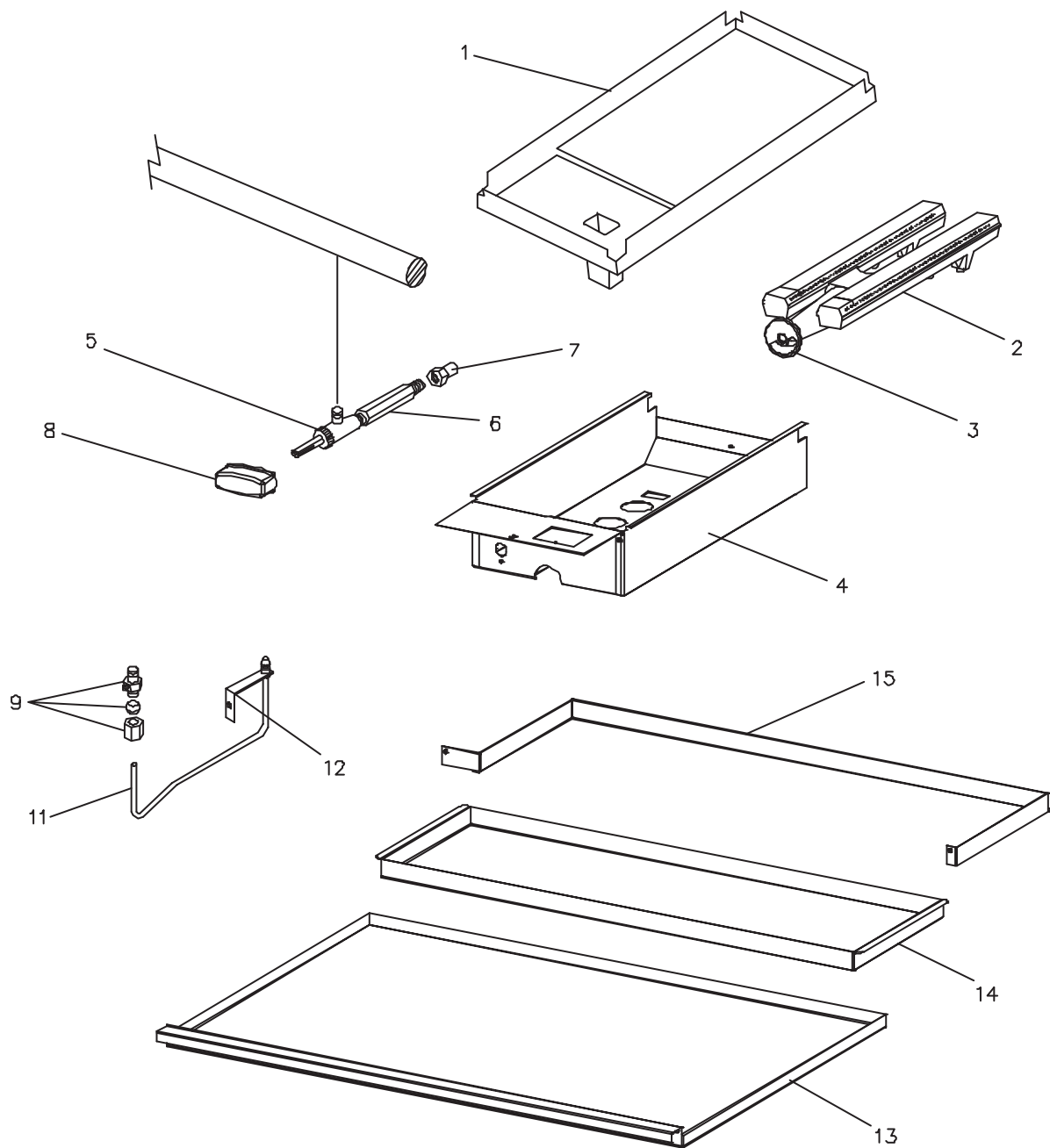
SX Series Ranges

Hot Top

ITEM	PART #	DESCRIPTION	QUANTITY
1	4513673	Hot Top Assy	1
2	1014901	Cast Iron H-Burner	1
2a	1028002	Air Shutter	1
3	3098599	Hot Top Insert Box	1
4	227005	Valve	1
5	3102600	3/8 Tubing - Valve to Orifice	1
6	1089100	Knob Handle	1
8	1086597	Pilot Adjust Valve - 3/16 cc	1
		3/16 Ferrule Included With 1086597	1
		3/16 cc Nut Included With 1086597	1
9	3096997	Pilot Assy	1
10	3097000	Pilot Bracket	1
11	3097601	Orifice Bracket	1
12	2431900	Orifice Fitting	1
12a		Locknut Included With 2431900	1
13	M8-45	Orifice Hood #45 Natural Gas	1
	M8-54	Orifice Hood #54 LP Gas	1
14	2702310	Drip Tray 36"	As Required
	2702306	Drip Tray 24"	As Required

^ NOT ILLUSTRATED

RECOMMENDED STOCK PARTS



SUNFIRE RANGE PARTS IDENTIFICATION

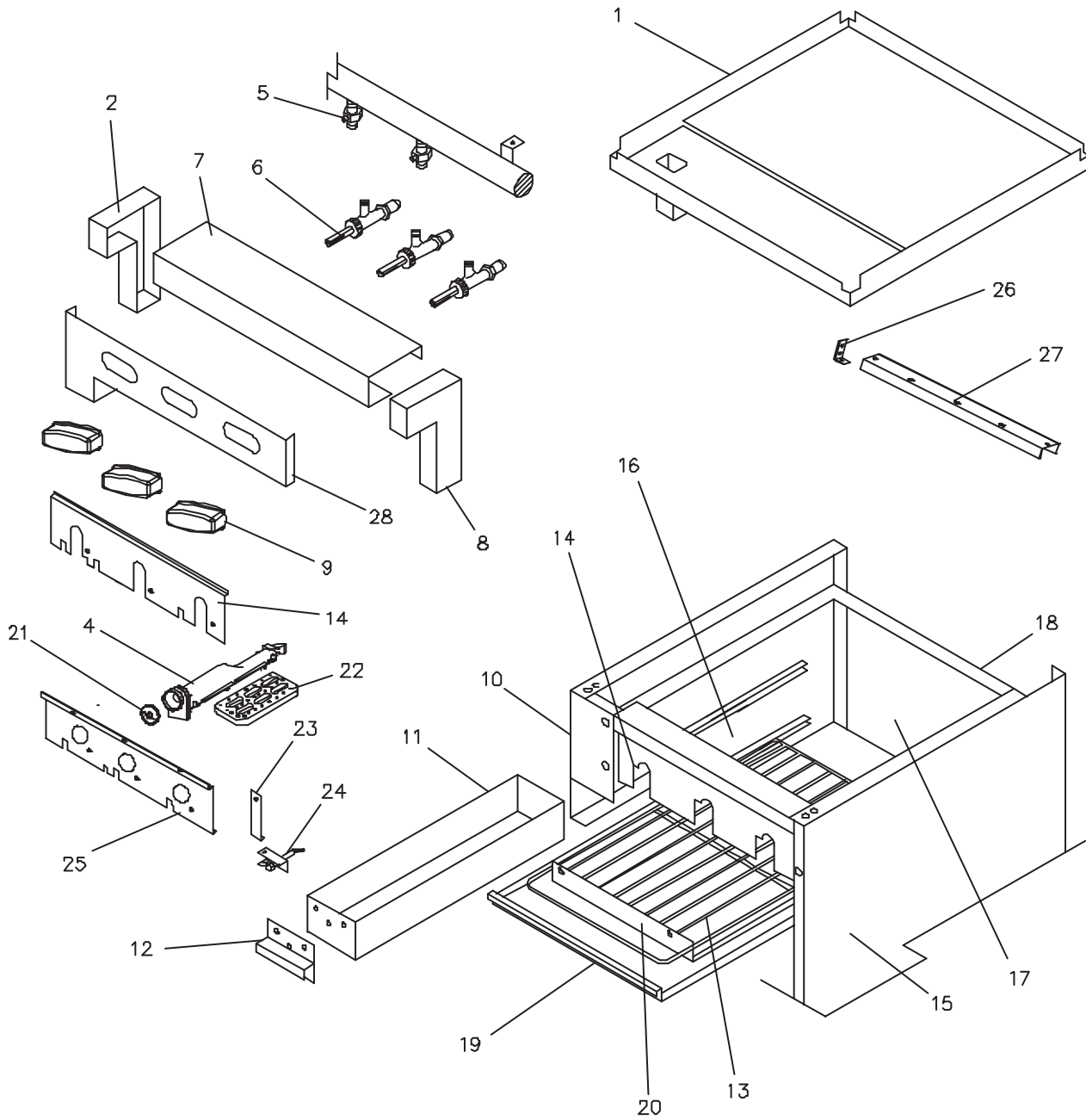
SX Series Ranges

Valve Controlled Griddle Top

ITEM	PART #	DESCRIPTION	QUANTITY
1	2704295	24" Griddle Assy 5/8" plate	As Required
	3000095	24" Griddle Assy 1" plate	As Required
2	1014901	Cast Iron H-Burner	1
3	1028002	Air Shutter	1
4	3096501	Griddle Insert Box 24"	As Required
5	26878XX	Valve	1
6	2706802	Valve Extension	1
7	M8-45	Orifice Hood #45 Natural Gas	1
	M8-54	Orifice Hood #54 LP Gas	1
8	1089100	Knob Handle	1
9	1086597	Pilot Adjust Valve - 3/16 cc	1
		3/16 Ferrule Included with 1086597	1
		3/16 cc Nut Included with 1086597	1
11	3096999	Pilot Assy	1
12	3097000	Pilot Bracket	1
13	2702306	Drip Tray - 24"	As Required
14	2702406	Grease Bucket - 24"	As Required
15	2702600	Grease Bucket Bracket - 24"	As Required

^ NOT ILLUSTRATED

RECOMMENDED STOCK PARTS



SUNFIRE RANGE PARTS IDENTIFICATION

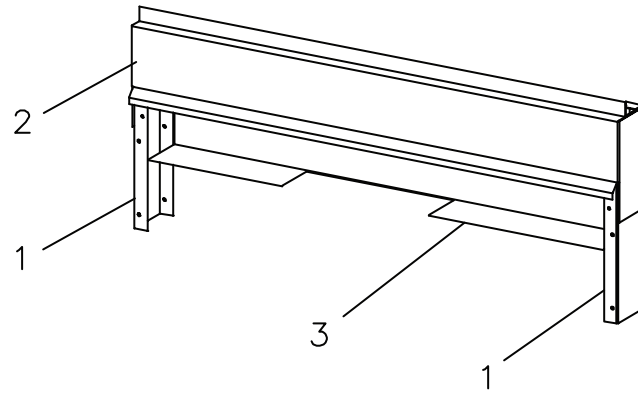
SX Series Ranges

Raised Broiler/griddle Top

ITEM	PART #	DESCRIPTION	QUANTITY
			24 RT
1	2704293	BG Griddle Assy 24" RT	1
2	3095100	Front Rail End LT (BG RT)	1
4	1090500	Burner	3
5	1086597	Pilot Valve - 3/16cc	3
		3/16 Ferrule Included With 1086597	3
		3/16 cc Nut Included With 1086597	3
6	26878XX	Burner Valve	3
	M8-52	Orifice Hood #52 Natural Gas	3
	M8-57	Orifice Hood #57 LP Gas	3
7	2700499	Front Rail Assy 24"	1
8	3095103	Front Rail End RT BG (BG RT)	1
9	1089100	Knob Handle	3
10	2705901	Broiler Box Side LT (BG RT)	1
11	1729501	Grease Drawer	1
12	2706301	Grease Bucket Handle	1
13	1090600	Broiler Rack	1
14	2384500	Broiler Burner Shield	1
15	3037400	Broiler/Burner Box Side RT (BG RT)	1
16	1081999	Side Liner Assy RT (BG RT)	1
	1081997	Side Liner Assy LT (BG RT)	1
17	2705601	Back Liner 24"	1
18	2706101	Broiler Box Back 24"	1
19	2702308	Drip Tray 24 BG"	1
20	1090797	Broiler Rack Drip Shield 24"	1
21	1028002	Air Shutter	3
22	1091000	Ceramic Radiant	6
23	1415100	Pilot Bracket	3
24	1473700	BG Pilot Assy Natural Gas	3
	1473701	BG Pilot Assy LP Gas	3
25	1414901	Broiler Valve Shield	1
26	1081905	Griddle Burner Rest Support	2
27	2705703	Rear Burner Rest 24"	1
28	2700513	Valve Cover 24" BG RT	1

^ NOT ILLUSTRATED

RECOMMENDED STOCK PARTS

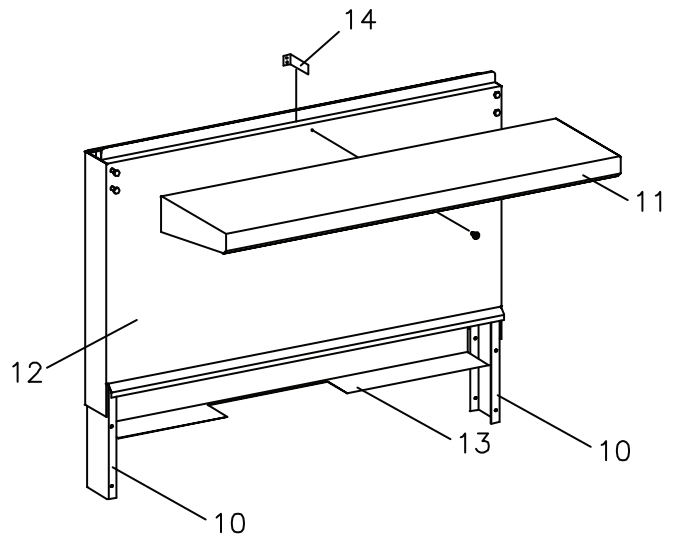
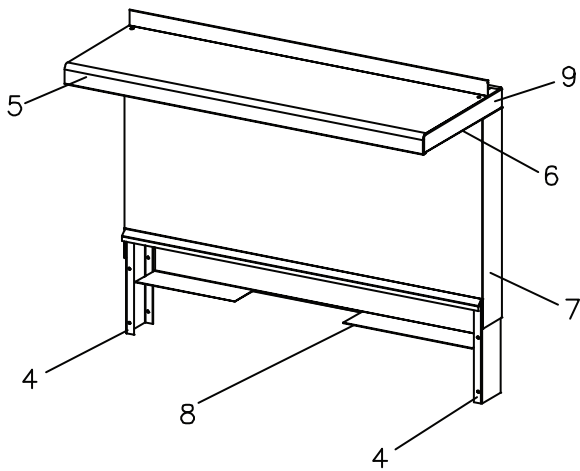


BACKGUARD

HIGH SHELF

USED UP TO DATE: FEBRUARY 1/06

TWO PIECE HIGH SHELF USED
FROM DATE FEBRUARY 1/06
SERIAL NUMBER: 0602100138140



4515535

SUNFIRE RANGE PARTS IDENTIFICATION

SX Series Ranges

Backguards

ITEM	PART #	DESCRIPTION	QUANTITY		
			24"	36"	60"
1	3037305	Stub Backguard Upright	2	2	2
	3037304	BG Stub Backguard Upright			2
2	3099101	Stub Backguard Front 24"	1		
	3099100	Stub Backguard Front 36"		1	
	3099103	Stub Backguard Front 60"			1
	3099702	Stub Backguard Front BG RT 60"			1
3	3099001	Stub Backguard Back 24"	1		
	3099000	Stub Backguard Back 36"		1	
	3099003	Stub Backguard Back 60"			1
	3099902	Stub Backguard Back BG 60"			1

High Shelves

Used Up To February 1, 2006

ITEM	PART #	DESCRIPTION	QUANTITY		
			24"	36"	60"
4	3094600	SDHS Upright RT/LT	2	2	2
5	3094702	SDHS Top 24"	1		
	3094700	SDHS Top 36"		1	
	3094704	SDHS Top 60"			1
6	3095202	SDHS Cover 24"	1		
	3095200	SDHS Cover 36"		1	
	3095204	SDHS Cover 60"			1
7	4512857	SDHS Front Panel 24"	1		
	4512856	SDHS Front Panel 36"		1	
	4512859	SDHS Front Panel 60"			1
	4512865	SDHS Front Panel BG RT 60"			1
8	3095002	SDHS Back Panel 24"	1		
	3095000	SDHS Back Panel 36"		1	
	3095003	SDHS Back Panel 60"			1
9	3094800	SDHS Shelf Support RT	1	1	1
	3094801	SDHS Shelf Support LT	1	1	1

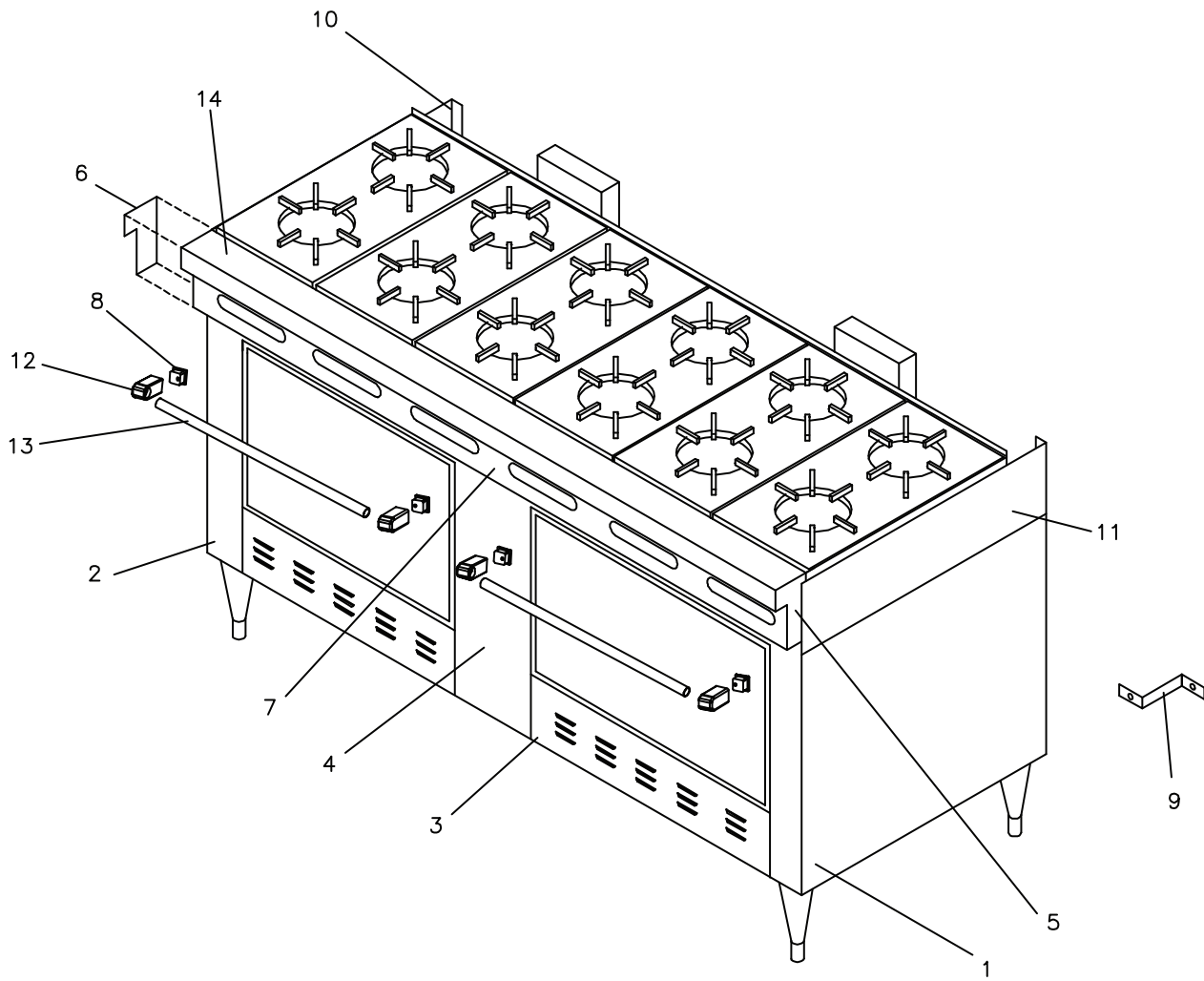
Two Piece High Shelves

Used From February 1, 2006 Serial # 0602100138140

ITEM	PART #	DESCRIPTION	QUANTITY		
			24"	36"	60"
10	4520785	SDHS Shelf Upright Support	2	2	2
11	4520989	Shelf SDHS 24"	1		
	4520990	Shelf SDHS 36"		1	
	4520992	Shelf SDHS 60"			1
12	4520776	Front Panel SDHS 24"	1		
	4520711	Front Panel SDHS 36"		1	
	4520778	Front Panel SDHS 60"			1
	4520873	Removable Front Panel SDHS (60") 24 BG RT Used For Right Hand Griddle Model			1
13	3095002	SDHS Back Panel 24"	1		
	3095000	SDHS Back Panel 36"		1	
	3095003	SDHS Back Panel 60"			1
14	4515626	SDHS Rear Support Bracket	1	1	1

^ NOT ILLUSTRATED

RECOMMENDED STOCK PARTS



SUNFIRE RANGE PARTS IDENTIFICATION

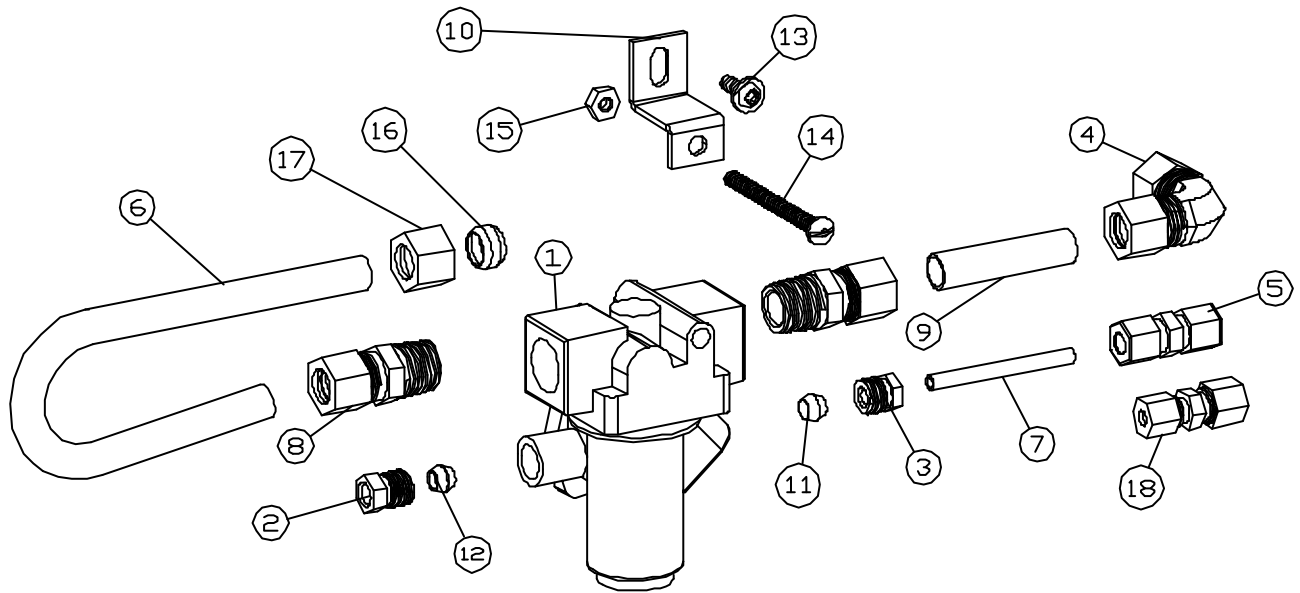
SX Series Ranges

EXTERIOR FINISH

ITEM	PART #	DESCRIPTION	QUANTITY		
			24"	36"	60"
1	1081113	Body Side Right SS	1		1
	1081104	Body Side Right SS		1	
2	1081108	Body Side Left SS	1		1
	1081109	Body Side Left SS		1	
3	2376703	Kick Panel 24"	1		
	2376702	Kick Panel 36"		1	2
4	1081506	Centre Column			1
5	2705402	Front Rail End RT	1	1	1
6	2705401	Front Rail End LT	1	1	1
7	2700506	Valve Cover 24"	1		
	2700507	Valve Cover 36"		1	
	2700509	Valve Cover 60"			1
8	3010000	Handle Spacer	2	2	4
9	1081300	Side Rear Brace (Std Oven)	2	2	2
10	2589200	Burner Box Side LT	1	1	1
11	2589201	Burner Box Side RT	1	1	1
	3037400	Broiler/Burner Box Side (BG RT)			1
12	3007300	Handle End LH & RH	2	2	4
13	3017000	Door Handle 26" Oven		1	2
	3017001	Door Handle 20" Oven	1		
14	2700499	Front Rail Assembly 24"	1		
	2700498	Front Rail Assembly 36"		1	
	2700497	Front Rail Assembly 60"			1

^ NOT ILLUSTRATED

RECOMMENDED STOCK PARTS



SUNFIRE RANGE PARTS IDENTIFICATION

SX Series Ranges

Baso Valve

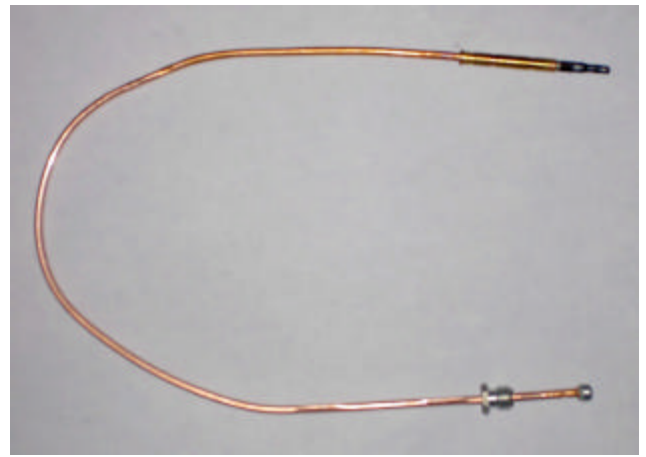
ITEM	PART #	DESCRIPTION	QTY
1	1415703	Hi Temp Safety Baso Valve	1
2	M225	1/4 Tube Comp Nut	1
3	M231	3/16 Tube Comp Nut	1
4	1313800	7/16cc x 7/16cc 90 Deg Elbow	1
5	076050-89	3/16cc x 3/16cc Comp Union	1
6	4518708	7/16 Tubing Safety Valve To Oven Orifice	1
7	4518716	3/16 Tubing Comp Union To Safety Valve Inlet	1
8	1095499	7/16cc x 3/8 NPT Straight Connector	1
9	4518715	7/16 Tubing Elbow to Straight Connector	1
10	1391500	Safety Valve Bracket	1
11	M126	3/16 Tubing Ferrule	1
12	M124	1/4 Tubing Ferrule	1
13	F60	#10A x 5/8 Sheetmetal Screw	1
14	F16	#10-24 x 2.5 RD HD Machine Screw	1
15	F312	#10-24 Locknut	1
16	M122	7/16 Tubing Ferrule	1
17	M123	7/16 Comp Nut	1
18	G62R-43	1/4cc x 16cc Comp Union	1
^	4518689	Include All Items	

^ NOT ILLUSTRATED

RECOMMENDED STOCK PARTS



1415703 High Temp Baso Valve
(Page 5 Item 5C)



4518817 Thermocouple 18" Long
(Page 5 Item 5D)



G01479-01 TS11J Safety Valve
(Page 5 Item 5A)

Standard Oven Pilot Burners



**1415300 Oven Pilot Burner Assembly (Natural)
Black Marker Indicates Natural Gas**



**1415301 Oven Pilot Burner Assembly (Propane)
Red Marker Indicates Propane Gas**



Assembly shown with thermocouple (4518817) slip-in type into any of the above pilots.

SUNFIRE RANGE PARTS IDENTIFICATION

Revision History

REV. #	PAGE #	ITEM #	NOTE	DATE
11	5	16	New part number 1438499 - was 1438494	Aug 09/04
			Entire Book Reformatted	
12	5	19, 20	New Part Numbers	Dec 01/04
13	6	35	New casters introduced - Mounting method and overall height would be the same as the old casters. The only difference is with the diameter of the new wheel. The old casters wheel diameter is (4") new casters is (3.5") in diameter	Jan 11/05
14	4		New Drawing - Part Number 5A, B, C, D Added	Feb14/05
	5	3	Part Number transferred to 5B	
		5A, B, C, D	New Part Numbers	
	20		Safety Baso Valve Breakdown	
	21		Digital Photos Added	
15	20		Safety Bso Valve List Updated	Mar 21/05
16	6,7	42,43	Part description changed – Photos added	Apr 07/05
17	21		Photo Updated	Apr 21/05
18	22		New Photos	Apr 25/05
19	4		Part Number Deleted	Aug 12/05
	5	5B	Part # 1415000 deleted (NLA) – Replaced by 4518817 Totally Interchangeable	
		5D	Description Changed	
	21,22		Photos Updated	
20	9	7	M8-45 Replaced by M8-44 Small Orifice	Aug 29/05
21	22		Part # Were Switched – Correction Made	Jan 04/06
22	6	35	Part # 1027800 Description Changed – NLA Deleted	Jan 19/06
			Part # 1027801 Description Changed – NLA Deleted	
	9	4A	Part Number Deleted – Was 4516423 Pilot	
23	4		Drawing Modified	Aug 25/06
	5	7A,7B,7C	New Part Number Added – Was 131000 & 2330800	
		9	Quantity of 1 Added On the 20" Oven	
		17B		
	6	46, 47,50	New Part Number Added	
	7	51, 52		
	9	7	Up To and From Dates Added	
			Foot Note Inserted	
16&17		Two Piece High Shelf List Added		
18		Drawing Modified		
19		15	New Part Number Added	
24	18,19	15	Part # 181600 (High Shelf Front Stabilizer) Removed	Mar 12/07

The logo features a stylized, italicized 'S' symbol to the left of the brand name. The brand name 'SunFire' is written in a bold, italicized, sans-serif font. A registered trademark symbol (®) is located at the top right of the word 'Fire'.

SunFire®