



***PS PERFORMER SERIES***  
***Effective March 2003***

**PARTS LIST**

Toll Free Phone, (US & Canada): (800) 427-6668

Toll Free Fax, (US & Canada): (800) 361-7745

<http://www.garland-group.com>

**PS PERFORMER SERIES  
MODEL NUMBER BREAKDOWN**

<b>Model Number</b>	<b>Description</b>
PS-4-20	Four Open Burners W/20" Oven
PS-4	Four Open Burners W/Open Storage
PS-12G-20	12" Griddle, Two Open Burners W/20" Oven
PS-12G	12" Griddle, Two Open Burners W/Open Storage
PS-24G-20	24" Griddle W/20" Oven
PS-24G	24" Griddle W/Open Storage
PS-6-26	Six Open Burners W/26" Oven
PS-6	Six Open Burners W/Open Storage
PS-12G-4-26	12" Griddle, Four Open Burners W/26" Oven
PS-12G-4	12" Griddle, Four Open Burners W/Open Storage
PS-24G-2-26	24" Griddle, Two Open Burners W/26" Oven
PS-24G-2	24" Griddle, Two Open Burners W/Open Storage
PS-36G-26	36" Griddle W/26" Oven
PS-36G	36" Griddle W/Open Storage
PS-4-12BG-36	36" Wide, Four Open Burners, 12" Broiler/Griddle W/26" Oven
PS-4-24BG-2020	48" Wide, Six Open Burners, 24" Broiler/Griddle W/(2) 20" Ovens
PS-6-24BG-26	60" Wide, Six Open Burners, 24" Broiler/Griddle W/26" Oven
PS-624BG-2626	60" Wide, Six Open Burners, 24" Broiler/Griddle W/(2) 26" Ovens
PS-36-PMA	36" Wide Char Broiler W/Open Storage
PS-36RB-26	36" Wide Char Broiler W/26" Oven

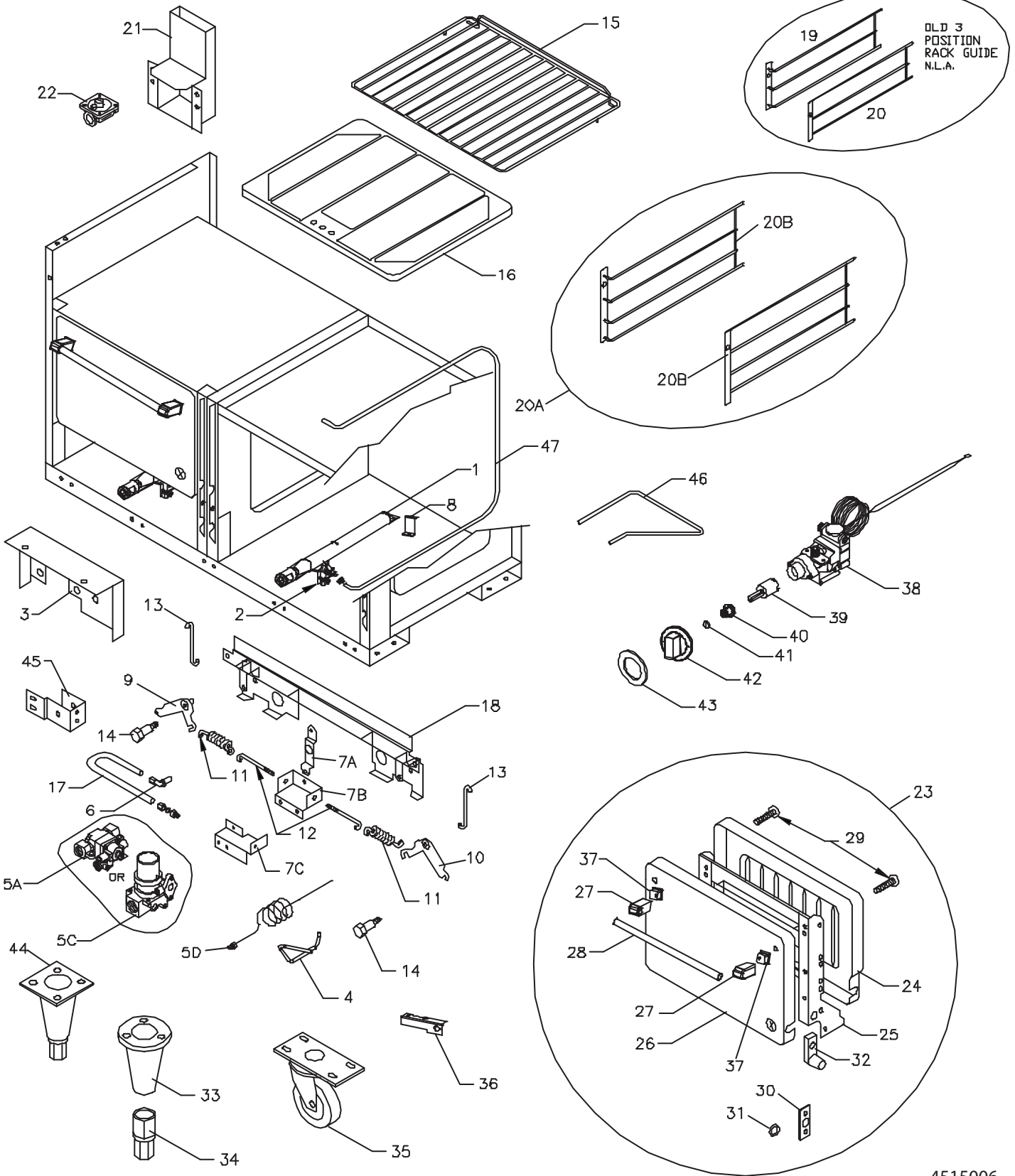


# ***PS PERFORMER SERIES***

***Effective March 2003***

## ***Contents:***

Model Number Breakdown .....	Page 2
PS Standard Oven .....	Page 4
PS Convection Oven .....	Page 8
Open Top Burners .....	Page 14
Hot Top .....	Page 16
Thermostatically Controlled Griddle Top .....	Page 18
Valve Controlled Griddle Top .....	Page 20
Raised Broiler/Griddle Top .....	Page 22
36" Charbroiler .....	Page 26
Backguards & High Shelves .....	Page 28
Exterior Finish .....	Page 32
Gas Conversion Kits .....	Page 34
Baso Valve Components .....	Page 35
Digital Photos .....	Page 36
Revision History .....	Page 40



4515006

## US RANGE PARTS IDENTIFICATION

### PS Performer Series Ranges

#### Standard Ranges

ITEM	PART #	DESCRIPTION	20" Oven	26" Oven	DATE		CRITICAL
					UP TO	FROM	
1	3100199	Steel Oven Burner Assembly	1	1			
2>	1415300	Pilot Burner Assy Natural Gas	1	1			
	1415301	Pilot Burner Assy - Propane Gas	1	1			
3	2298600	Front Air Shield	1	1			
4	4512894	Oven Pilot Tubing	1	1			
5A>	<b>G01479-01</b>	<b>TS11J Safety Valve (Refer to Photo - Page 36)</b>	1	1			C
5C>	<b>1415703</b>	<b>High Temp Baso Valve (Refer to Photo Page 36) See Page 35 for complete list of fittings/tubing used with Baso Valve</b>	1	1			C
5D>	<b>4518817</b>	<b>Thermocouple 18" Long</b>					C
6	<b>1415531F</b>	<b>Oven Orifice Fitting Assy #31 Nat</b>		1			C
	<b>M9-31</b>	<b>Orifice Hood #31 Nat</b>		1			C
	<b>1415540F</b>	<b>Oven Orifice Fitting Assy #40 Nat</b>	1				C
	<b>M9-40</b>	<b>Orifice Hood #40 Nat</b>	1				C
	<b>1415551F</b>	<b>Oven Orifice Fitting Assy #51 LP</b>		1			C
	<b>M9-51</b>	<b>Orifice Hood #51 LP</b>		1			C
	<b>1415554F</b>	<b>Oven Orifice Fitting Assy #54 LP</b>	1				C
	<b>M9-54</b>	<b>Orifice Hood #54 LP</b>	1				C
7A	2635100	Oven Orifice Bracket	1	1			
7B	2301300	Door Spring Support		1			
7C	4518231	Door Spring Support	1				
8	3100200	Burner Support Bracket	1	1			
9	1082198	L/H Bell Crank Assembly		1			
	1082199	R/H Bell Crank Assembly		1			
10	1082196	Oven Door Bell Crank 24"	1				
11	<b>1005800</b>	<b>Oven Door Spring</b>	1	2			
12	9004701	Oven Door Spring Hook		2			
	G01246-1-8	Oven Door Spring Hook	1				
13	1082802	Oven Door Hinge Link RT	1	1			
	1082803	Oven Door Hinge Link LT		1			
14	F299	Bell Crank Bolt	1	2			
15	2301200	Oven Rack		1			
	2301201	Oven Rack	1				
16	1438494	Oven Bottom Assy		1			
	2157098	Oven Bottom Assy	1				
17	1392500	7/16 Tubing - Safety Valve to Orifice	1	1			
18	3051900	Lower Front Plate		1			
19	2297701	Oven Rack Slide Assy LT - NLA	1	1	Nov 5/04		
20	2297700	Oven Rack Slide Assy RT - NLA	1	1	Nov 5/04		
<b>IMPORTANT NOTES FOR THE OVEN RACK GUIDE</b>							
Both 3 position racks guides will have to be replaced, when changing to the new 4 position rack guide Order Part # 4519545 Oven Rack Guide Kit which include both racks (Rt & Lt). Mounting method is the same.							
20A	4519545	Oven Rack Slide Assy LT/RT Kit (2 racks included) From Serial # 0410100109744	1	1		Nov 5/04	
20B	4518127	Oven Rack Slide Assy LT/RT From Serial # 0410100109744	1each side	1each side		Nov 5/04	
21	1005399	Oven Flue Riser	1	1			
22	<b>2127502</b>	<b>Gas Regulator Natural 4.5"</b>	1	1			C
	<b>2127500</b>	<b>Gas Regulator LP 10"</b>	1	1			C
23	4512919	Oven Door Assy (Complete - USR)		1			
	4513440	Oven Door Assy (Complete - Blank)		1			
	4513159	Oven Door Assy (Complete - USR)	1				
	4513259	Oven Door Assy (Complete - Blank)	1				

^ NOT ILLUSTRATED

> PHOTO AT THE END

#### **RECOMMENDED STOCK PARTS**

\* NOTE: On Units Equipped With Casters Only

## US RANGE PARTS IDENTIFICATION

### PS Performer Series Ranges

#### Standard Ranges

ITEM	PART #	DESCRIPTION	20" Oven	26" Oven	DATE		CRITICAL
					UP TO	FROM	
24	1439796	Oven Door Lining Enameled		1			
	1439795	Oven Door Lining Enameled	1				
25	G03984-06-8	Oven Door Insert Assy		1			
	G03984-04-8	Oven Door Insert Assy	1				
26	1080703	Oven Door Panel (USR)		1			
	1080714	Oven Door Panel (Blank)		1			
	1439903	Oven Door Panel (Blank)	1				
	1439906	Oven Door Panel (USR)	1				
27	3007300	Handle End LT & RT	2	2			
28	3017000	Oven Door Handle		1			
	3017001	Oven Door Handle	1				
29	F540	Handle Assy Attachment Screw	2	2			
30	1083001	Trunion Support	2	2			
31	1082700	Harness Ring	2	2			
32	1082500	Door Trunion	2	2			
33	1027600	Leg Retainer	4	4			
34	1150502	Bullet Foot	4	4			
35	1027800	Caster w/o Brake	2	2	Dec 10/04		
	4519432	Swivel Caster	2	2		Dec 10/04	
	1027801	Caster w/Brake	2	2	Dec 10/04		
	451933	Swivel Caster With Brake	2	2		Dec 10/04	
36	1748701	Restraint Attachment Bracket*	1	1			
37	3010000	Oven Door Spacer	2	2			
38	<b>1086700</b>	<b>BJW Thermostat (Oven)</b>	1	1			C
39	<b>2527700</b>	<b>BJW Knob Adapter</b>	1	1			C
40	<b>3043200</b>	<b>Knob Hub</b>	1	1			C
41	<b>3043300</b>	<b>Spring Retainer</b>	1	1			C
42	<b>3043100</b>	<b>Knob Handle</b>	1	1			C
43	<b>3049102</b>	<b>Thermostat Dial Insert (Fahrenheit)</b>	1	1			C
	<b>3049100</b>	<b>Thermostat Dial Insert (Celsius)</b>	1	1			C
44>	4519723	6" S/S Adjustable Leg (Optional)	4	4			
45	1357301	Bell Crank Support	1				
46A	1439300	Oven Tubing (Left-Hand STD Oven) 7/16" O.D.		1			
46B	1439500	Oven Tubing (Right-Hand STD Oven) 7/16" O.D.	1	1			
46C	4519868	Oven Tubing 7/16" Dia. - Oven Orifice to Stat -BG STD		1			
<b>Tubing Used With BASO Safety Valve</b>							
47A	4518711	Oven Tubing 3/16" Dia. - Tubing Gum Valve To Baso Valve BG STD Oven		1			
47B	4518709	Oven Tubing 3/16" Dia. - Tubing Gum Valve To Baso Valve STD Oven	1	1			
<b>Tubing Used With TS11 Safety Valve</b>							
48A^	4512892	Oven Tubing 3/16" Dia. - Tubing Gum Valve To TS11 Valve STD Oven	1	1			
48B^	4515599	Oven Tubing 3/16" Dia. - Tubing Gum Valve To TS11 Valve BG STD Oven		1			
48C^	4515538	Oven Tubing 3/16" Dia. - Tubing Gum Valve To TS11 Valve PS-36RB		1			

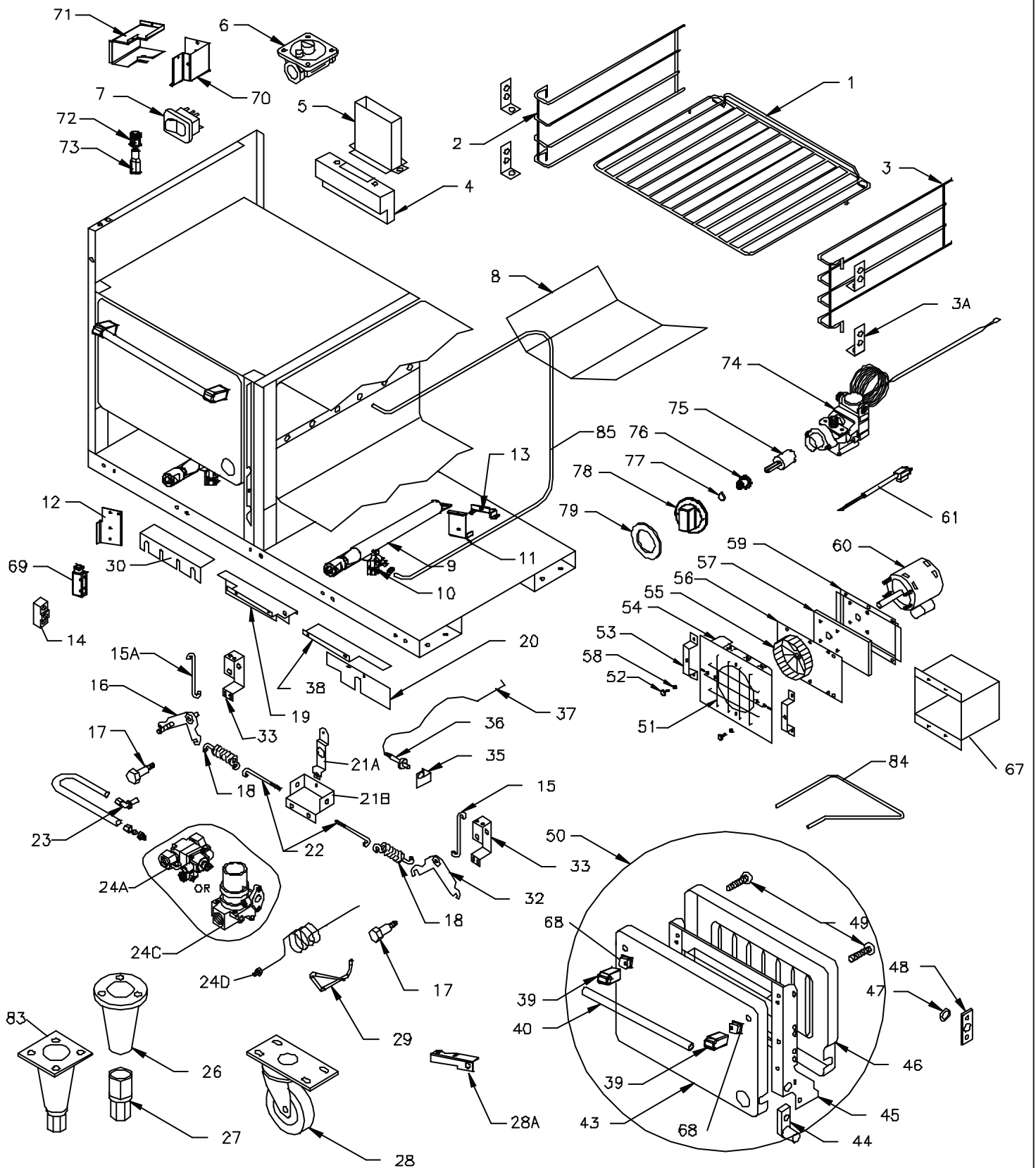
^ NOT ILLUSTRATED

> PHOTO AT THE END

**RECOMMENDED STOCK PARTS**

\* NOTE: On Units Equipped With Casters Only





4515007



## US RANGE PARTS IDENTIFICATION

### PS Performer Series Ranges

#### Convection Oven

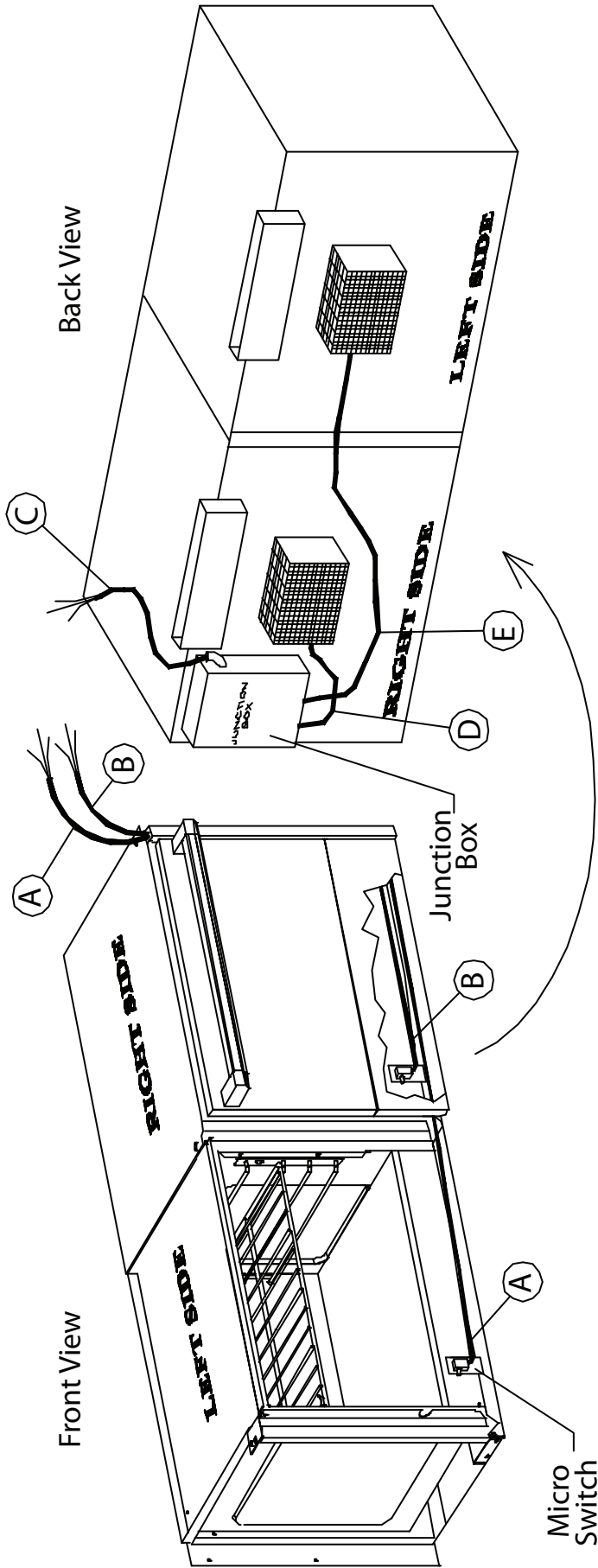
ITEM	PART #	DESCRIPTION	QUANTITY	DATE		CRITICAL
				UP TO	FROM	
1	2301200	Oven Rack	3			
2	1311100	Rack Slide Assy LT	1			
3	1311101	Rack Slide Assy RT	1			
3a	1356600	Rack Glide Clip	4			
4	1413901	Flue Box	1			
5	1413899	Flue Riser Assy	1			
6	<b>2127502</b>	<b>Gas Regulator Natural 4.5"</b>	1			C
	<b>2127500</b>	<b>Gas Regulator LP 10"</b>	1			C
7	<b>1358900</b>	<b>Power Switch ON/OFF/ON</b>	1			C
8	1357702	Fire Plate	1			
9	3100199	Oven Burner Assembly	1			
10>	<b>078239-10</b>	<b>Oven Pilot Natural Gas 3/32 Rnd Connector</b>	1			C
	<b>078239-11</b>	<b>Oven Pilot LP Gas 3/32 Rnd Connector</b>	1			C
11	4512233	Burner Support Bracket	1			
12	4515114	Microswitch Bracket NLA	1	Jun 01/04		
	4519693	Microswitch Bracket	1		Jun 01/04	
13	4512234	Burner Support Track	1			
14	<b>1019600</b>	<b>Door Micro Switch</b>	1			C
15	1082802	Oven Door Hinge Link RT	1			
15a	1082803	Oven Door Hinge Link LT	1			
16	1082198	Bell Crank Assy LT	1			
17	F299	Bell Crank Bolt	2			
18	<b>1005800</b>	<b>Oven Door Spring</b>	2			C
19	2635001	Left Roll Out Shield	1			
20	1390702	Right Roll Out Shield	1			
21A	2635100	Oven Orifice Bracket	1			
21B	2301300	Door Spring Support	1			
22	9004701	Oven Door Spring Hook	2			
23	<b>1415536F</b>	<b>Oven Orifice Fitting Assy #36 Natural</b>	1			C
	<b>M9-36</b>	<b>Orifice Hood #36 Natural</b>	1			C
	<b>1415551F</b>	<b>Oven Orifice Fitting Assy #51 Propane</b>	1			C
	<b>M9-51</b>	<b>Orifice Hood #51 Propane</b>	1			C
24A>	<b>G01479-01</b>	<b>TS11J Safety Valve (Refer to Photo - Page 36)</b>	1			C
24C>	<b>1415703</b>	<b>High Temp Baso Valve (Refer to Photo - Page 36)</b> <b>See page 35 for complete list of fittings/tubing used with Baso Valve</b>	1			C
24D>	<b>4518817</b>	<b>Thermocouple 18" Long</b>				
26	1027600	Leg Retainer	4			
27	1150502	Bullet Leg	4			
28	1027800	Caster w/o Brake	2	Dec 10/04		
	4519432	Swivel Caster	2		Dec 10/04	
	1027801	Caster w/Brake	2	Dec 10/04		
	4519433	Swivel Caster With Brake	2		Dec 10/04	
28A	1748701	Restraint Attachment Bracket*	1			
29	4512894	Oven Pilot Tubing	1			
30	4515637	TS11 Heat Shield	1			
32	1082199	Bell Crank Assy RT	1			
33	1386100	Bell Crank Support	2			
29	4512894	Oven Pilot Tubing	1			
32	1082199	Bell Crank Assy RT	1			
33	1386100	Bell Crank Support	1			
35	1413200	Piezo Support Bracket	1			
36	<b>1309201</b>	<b>Piezo Igniter</b>	1			C
37	<b>G03151-1</b>	<b>Piezo Electrode 16"</b>	1			C

^ NOT ILLUSTRATED

> PHOTO AT END

**RECOMMENDED STOCK PARTS**

\* Note: On Units Equipped With Casters Only



ITEM	PART#	DESCRIPTION
A	CK241	W-H DOOR MICRO SWITCH TO FAN SWT PS DOUBLE OVEN LEFT
B	CK240	W-H DOOR MICRO SWITCH TO FAN SWT PS SINGLE/DOUBLE OVEN RIGHT
C	CK235	W-H JUNCTION BOX TO ROCKER SWITCH PS DOUBLE OVEN
	CK238	W-H JUNCTION BOX TO ROCKER SWITCH PS SINGLE OVEN
D	CK236	W-H JUNCTION BOX TO MOTOR PS DOUBLE OVEN RIGHT
	CK239	W-H JUNCTION BOX TO MOTOR PS SINGLE OVEN
E	CK237	W-H JUNCTION BOX TO MOTOR PS DOUBLE OVEN LEFT

## US RANGE PARTS IDENTIFICATION

### PS Performer Series Ranges

#### Convection Oven

ITEM	PART #	DESCRIPTION	QUANTITY	DATE		CRITICAL
				UP TO	FROM	
38	1391100	Roll Out Shield Support	1			
39	3007300	Handle End LT & RT	2			
40	3017000	Oven Door Handle	1			
43	1080703	Oven Door Panel (USR)	1			
	1080714	Oven Door Panel (Blank)	1			
44	1082500	Door Trunion	2			
45	G03984-06-8	Door Insert Assembly	1			
46	1439796	Oven Door Lining Enamelled	1			
47	1082700	Harness Ring	2			
48	1083001	Trunion Support	2			
49	F540	Handle Assy Attachment Screw	1			
50	4512919	Oven Door Assy (Complete - USR)	1			
	4513440	Oven Door Assy (Complete - Blank)	1			
51	2520100	Fan Protector Screen	1			
52	F543	#10-24 X 3/4" SS Wing Screw	2			
53	1361298	Air Baffle Support	2			
54	2395999	Air Baffle Assy	1			
55	<b>G02952-01P</b>	<b>Blower Wheel</b>	1			C
56	3013400	Motor Mount Plate	1			
57	1669101	Motor Mount Insulation	1			
58	F542	Aluminum Padded Washer	2			
59	3013301	Motor Mount	1			C
60	<b>2485801</b>	<b>Motor 1/3 HP, 115V, 60Hz</b>	1			
61	4523398	Power Cord 6Ft. 3/14Ga 15Amp SJ00W	1			
67	2519799	Motor Guard Assy	1			
68	3010000	Oven Door Spacer	2			
69	2398700	Terminal Cover	1			
70	4515067	Switch Box Half - RT	1			
71	4515068	Switch Box Half - LT	1			
72	4515075	EMT Connector 0.5" (All Except BG)	1			
	4515537	EMT Connector 0.5" (BG Models)	1			
73	4515066	Formed Conduit (All Except BG)	1			
	4515501	Formed Conduit Assy (BG Models)	1			
74	<b>1086700</b>	<b>BJW Thermostat (Oven)</b>	1			C
75	<b>2527700</b>	<b>BJW Adapter Knob</b>	1			C
76	<b>3043200</b>	<b>Knob Hub</b>	1			C
77	<b>3043300</b>	<b>Spring Retainer</b>	1			C
78	<b>3043100</b>	<b>Knob Handle</b>	1			C
79	<b>3049102</b>	<b>Thermostat Dial Insert (Fahrenheit)</b>	1			C
	<b>3049100</b>	<b>Thermostat Dial Insert (Celsius)</b>	1			C
80^	1029434	3/8 BX Cable 34" Long				
	1029480	3/8 BX Cable 80" Long				
81^*	4515585	Corrugated Tubing 7" (behind kick-panel)				
	4515586	Corrugated Tubing 37" (behind kick-panel)				
82^*	4515536	Cable Retainer				
83>	4519723	6" S/S Adjustable Leg (Optional)	4			
84A	1439300	Oven Tubing (Left-Hand STD Oven) 7/16" O.D.	1			
84B	1439500	Oven Tubing (Right-Hand STD Oven) 7/16" O.D.	1			
84C	4519868	Oven Tubing 7/16" Dia.-Oven Orifice to Stat-BG STD	1			
<b>Tube Used With BASO Safety Valve</b>						
85A	4518711	Oven Tubing 3/16" Dia - Tubing Gum Valve to Baso Valve BG STD Oven	1			
85B	4518709	Oven Tubing 3/16" Dia - Tubing Gum Valve to Baso Valve STD Oven	1			

^ NOT ILLUSTRATED

> PHOTO AT END

#### **RECOMMENDED STOCK PARTS**

\* Note: On Units Equipped With Casters Only

## US RANGE PARTS IDENTIFICATION

### PS Performer Series Ranges

#### Convection Oven

ITEM	PART #	DESCRIPTION	QUANTITY	DATE		CRITICAL
				UP TO	FROM	
<b>Tubing Used With TS11 Safety Valve</b>						
86A^	4512892	Oven Tubing 3/16" Dia – Tubing Gum Valve to TS11 Valve STD Oven	1			
86B^	4515599	Oven Tubing 3/16" Dia – Tubing Gum Valve to TS11 Valve BG STD Oven	1			
86C^	4515538	Oven Tubing 3/16" Dia – Tubing Gum Valve to TS11 Valve PS-36RB	1			
<b>Wiring Harness Kits (Diagram On Page 10)</b>						
A	CK241	Wiring Harness – Door Micro-Switch to Fan Switch, PS Double Oven Left	1			
B	CK240	Wiring Harness – Door Micro-Switch to Fan Switch, PS Single & Double Right	1			
C	CK235	Wiring Harness – Junction Box To Rocker Switch, PS Double Oven	1			
	CK238	Wiring Harness – From Junction Box To Front Rocker Switch, PS Single Oven	1			
D	CK236	Wiring Harness – Box To Motor, PS Double Oven – Right	1			
	CK239	Wiring Harness – Rear Junction Box to Motor, PS Single Oven	1			
E	CK237	Wiring Harness – Box To Motor, PS Double Oven – Left	1			

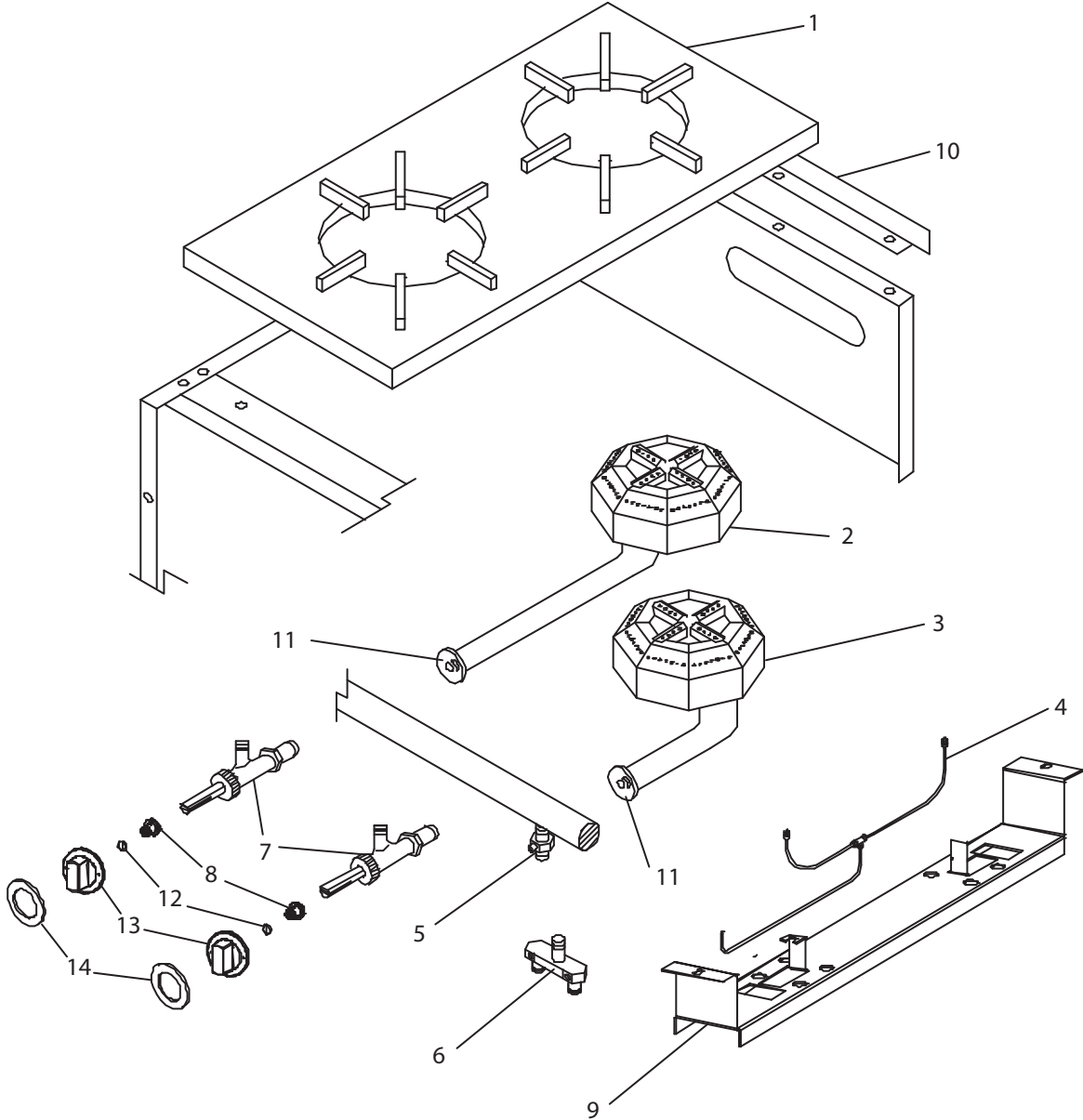
^ NOT ILLUSTRATED

> PHOTO AT END

**RECOMMENDED STOCK PARTS**

\* Note: On Units Equipped With Casters Only

## **NOTES**



## US RANGE PARTS IDENTIFICATION

### PS Performer Series Ranges

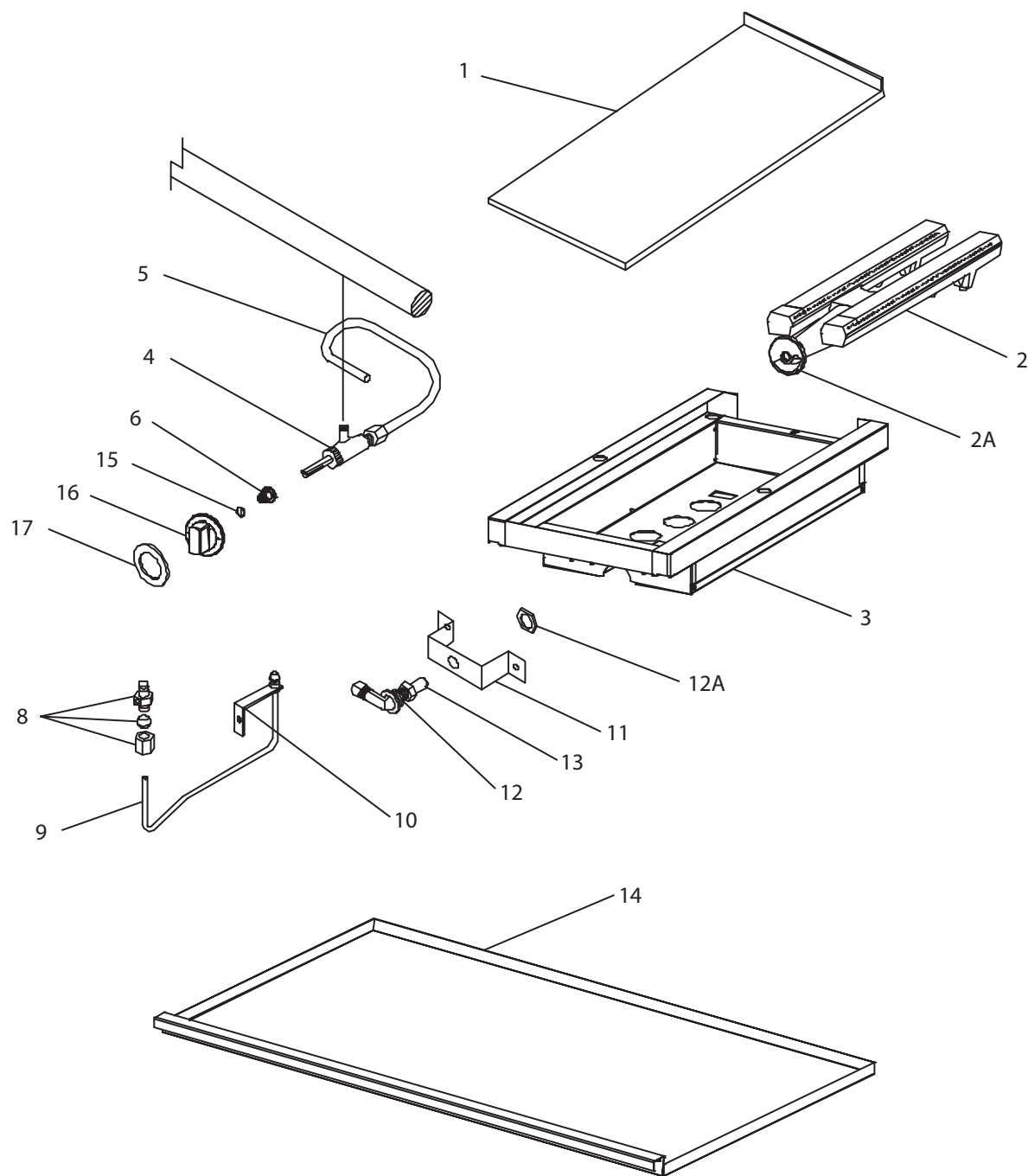
#### Open Top Burners

ITEM	PART #	DESCRIPTION	QUANTITY	DATE		CRITICAL
				UP TO	FROM	
1	2706901	Top Grate	1			
2	3019000	Open Top Burner Rear	1			
3	3019001	Open Top Burner Front	1			
4	4515518	Open Burner Pilot Tube Assy	1			
5	1086597	Pilot Adjust Valve 3/16	1			
		3/16 Ferrule Included with 1086597	1			
		3/16 cc Nut Included with 1086597	1			
6	1510402	Pilot Adjust Valve (Double) 3/16	As Required			
		3/16 Ferrule Included with 1510402	2			
		3/16 cc Nut Included with 1510402	2			
7A	<b>26878XX</b>	<b>Valve Assy Less Hood LML-15</b>	2			C
7B	<b>M8-39</b>	<b>Orifice Hood #39 (Natural) 30,000BTU</b>	2	Jul 24/06		C
7C	<b>M8-37</b>	<b>Orifice Hood #37 (Natural) 32,000BTU From Serial # 0607100149757</b>			Jul 24/06	C
7D	<b>M8-1500</b>	<b>Orifice Hood #1.5mm (Propane) 28,000 BTU</b>	2			C
8	3043200	Knob Hub	2			
9	2702104	Burner Hanger	1			
10	3094012	Drip Angle 12"	As Required			
	3094024	Drip Angle 24"	As Required			
	3094036	Drip Angle 36"	As Required			
	3094048	Drip Angle 48"	As Required			
	3094060	Drip Angle 60"	As Required			
	3094072	Drip Angle 72"	As Required			
11	1028002	Air Shutter	2			
12	3043300	Spring Retainer	2			
13	<b>3043100</b>	<b>Knob Handle</b>	2			C
14	<b>3049101</b>	<b>Knob Handle Insert On-Off</b>	2			C

^ NOT ILLUSTRATED

#### **RECOMMENDED STOCK PARTS**

**NOTE:** First range manufactured with increased top burner outputs (Natural Gas Only)  
 DATE: July 24, 2006  
 MODEL: PS626-0001  
 SERIAL: 0607100149757





## US RANGE PARTS IDENTIFICATION

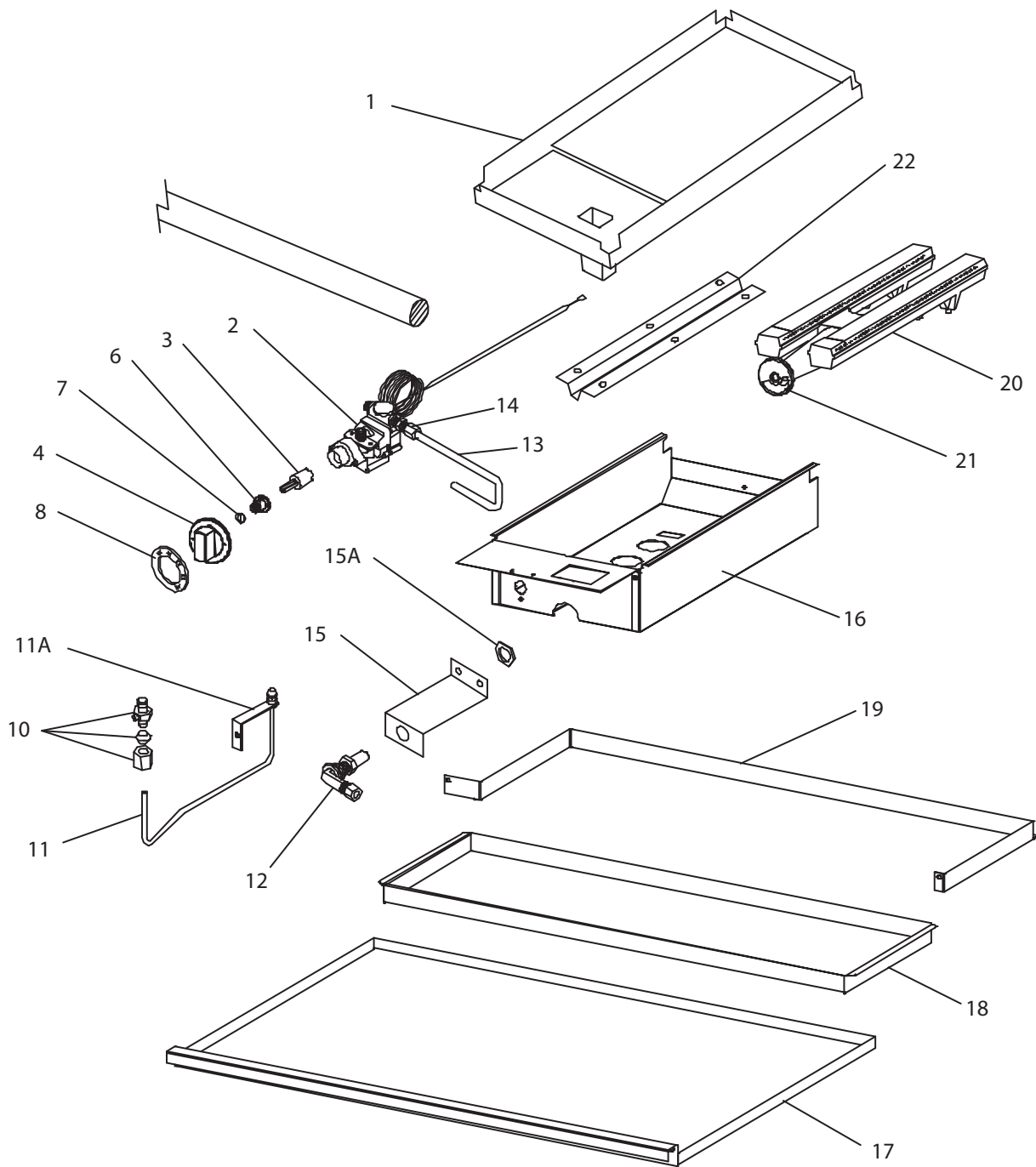
### PS Performer Series Ranges

#### Hot Top

ITEM	PART #	DESCRIPTION	QUANTITY	CRITICAL
1	4513673	Hot Top Assy	1	
2	1014901	Cast Iron H-Burner	1	
2a	1028002	Air Shutter	1	
3	3098599	Hot Top Insert Box	1	
4	<b>227005</b>	<b>Valve</b>	1	C
5	3102600	3/8 Tubing - Valve to Orifice	1	
6	3043200	Knob Hub	1	
8	1086597	Pilot Adjust Valve - 3/16 cc	1	
		3/16 Ferrule Included with 1086597	1	
		3/16 cc Nut Included with 1086597	1	
9	<b>3096997</b>	<b>Pilot Assy</b>	1	C
10	3097000	Pilot Bracket	1	
11	3097601	Orifice Bracket	1	
12	2431900	Orifice Fitting	1	
12a		Locknut Included with 2431900	1	
13	M8-45	Orifice Hood #45 Natural Gas	1	
	M8-54	Orifice Hood #54 LP Gas	1	
14	2702310	Drip Tray 36"	As Required	
	2702306	Drip Tray 24"	As Required	
15	3043300	Spring Retainer	1	
16	<b>3043100</b>	<b>Knob Handle</b>	1	C
17	<b>3049101</b>	<b>Knob Handle Insert On-Off</b>	1	C

^ NOT ILLUSTRATED

#### **RECOMMENDED STOCK PARTS**

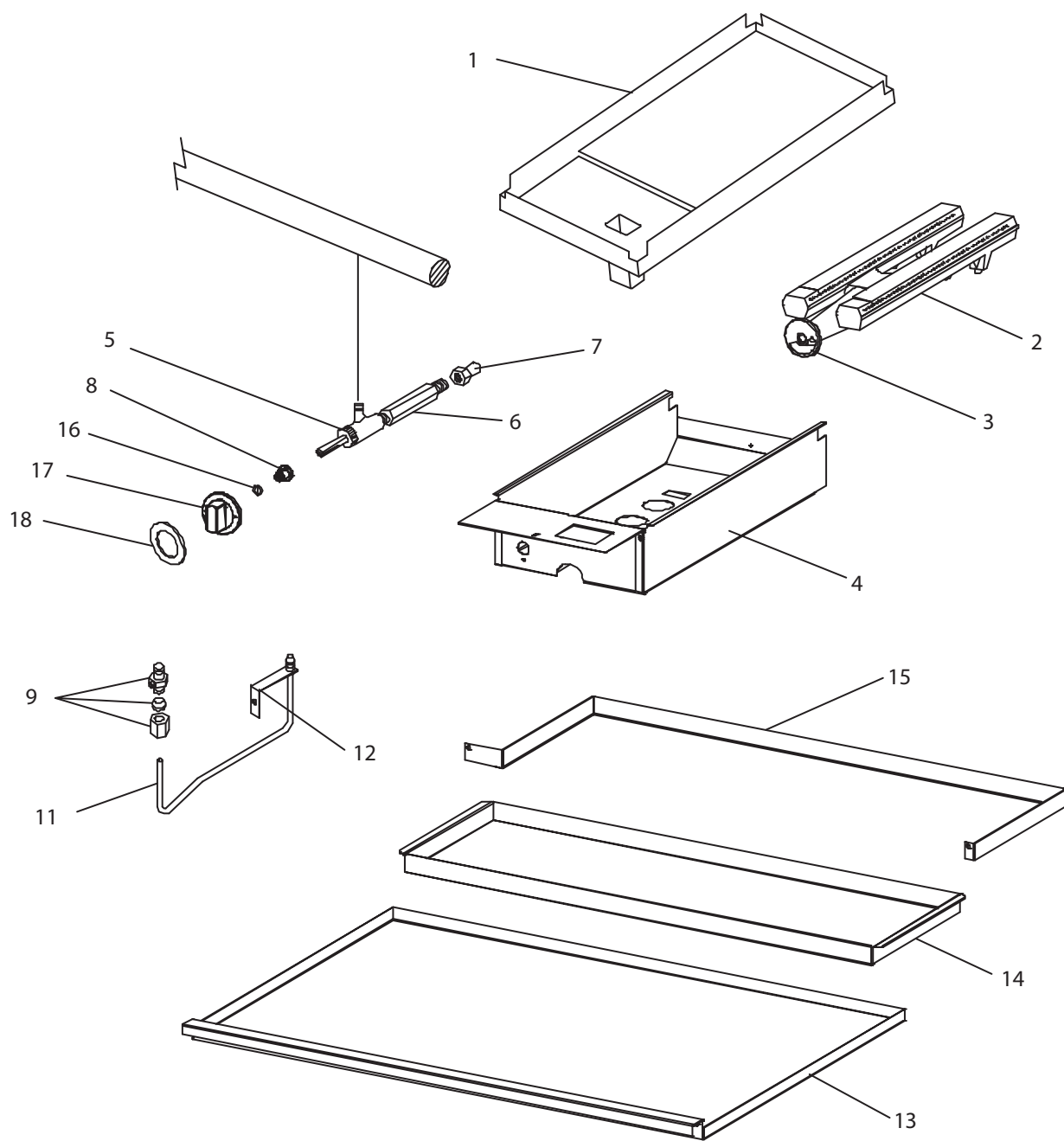


**US RANGE PARTS IDENTIFICATION**  
**PS Performer Series Ranges**  
**Thermostatically Controlled Griddle Top**

ITEM	PART #	DESCRIPTION	QUANTITY	CRITICAL
1	2704284	12" Thermostatic Griddle Assy 5/8" plate	As Required	
	3000084	12" Thermostatic Griddle Assy 1" plate	As Required	
	2704285	24" Thermostatic Griddle Assy 5/8" plate	As Required	
	3000085	24" Thermostatic Griddle Assy 1" plate	As Required	
	2704286	36" Thermostatic Griddle Assy 5/8" plate	As Required	
	3000086	36" Thermostatic Griddle Assy 1" plate	As Required	
	2704287	48" Thermostatic Griddle Assy 5/8" plate	As Required	
	3000087	48" Thermostatic Griddle Assy 1" plate	As Required	
	2704288	60" Thermostatic Griddle Assy 5/8" plate	As Required	
	3000088	60" Thermostatic Griddle Assy 1" plate	As Required	
	2704289	72" Thermostatic Griddle Assy 5/8" plate	As Required	
3000089	72" Thermostatic Griddle Assy 1" plate	As Required		
2	<b>1360200</b>	<b>Griddle BJ Thermostat</b>	1	C
3	2527700	BJ Knob Adapter	1	
4	<b>3043100</b>	<b>Knob Handle</b>	1	C
6	3043200	Knob Hub	1	
7	3043300	Spring Retainer	1	
8	<b>3049104</b>	<b>Knob Handle Insert (Deg C)</b>	1	C
	<b>3049103</b>	<b>Knob Handle Insert (Deg F)</b>	1	C
10	1086597	Pilot Adjust Valve 3/16 cc	1	
		3/16 Ferrule Included With 1086597	1	
		3/16 CC Nut Included With 1086597	1	
11	<b>3096999</b>	<b>Pilot Assy</b>	1	C
11a	3097000	Pilot Bracket	1	
12	2431900	Orifice Fitting	1	
	M8-45	Orifice Hood #45 Natural Gas	1	
	M8-54	Orifice Hood #54 LP Gas	1	
13	451518	3/8 Tubing Orifice To Valve	1	
14	076050-26	3/8 NPT Compression Elbow	1	
15	3097600	Orifice Support	1	
15a		Lock Nut - Included with 2431900	1	
16	3096500	Griddle Insert Box - 12"	As Required	
	3096501	Griddle Insert Box - 24"	As Required	
17	2702310	Drip Tray - 36"	As Required	
	2702306	Drip Tray - 24"	As Required	
18	2702405	Grease Bucket - 36"	As Required	
	2702406	Grease Bucket - 24"	As Required	
19	2702606	Grease Bucket Bracket - 36"	As Required	
	2702600	Grease Bucket Bracket - 24"	As Required	
20	1014901	Cast Iron H-Burner	1	
21	1028202	Air Shutter	1	
22	1473499	Bulb Clamp & Shield Assy	1	

^ NOT ILLUSTRATED

**RECOMMENDED STOCK PARTS**



## US RANGE PARTS IDENTIFICATION

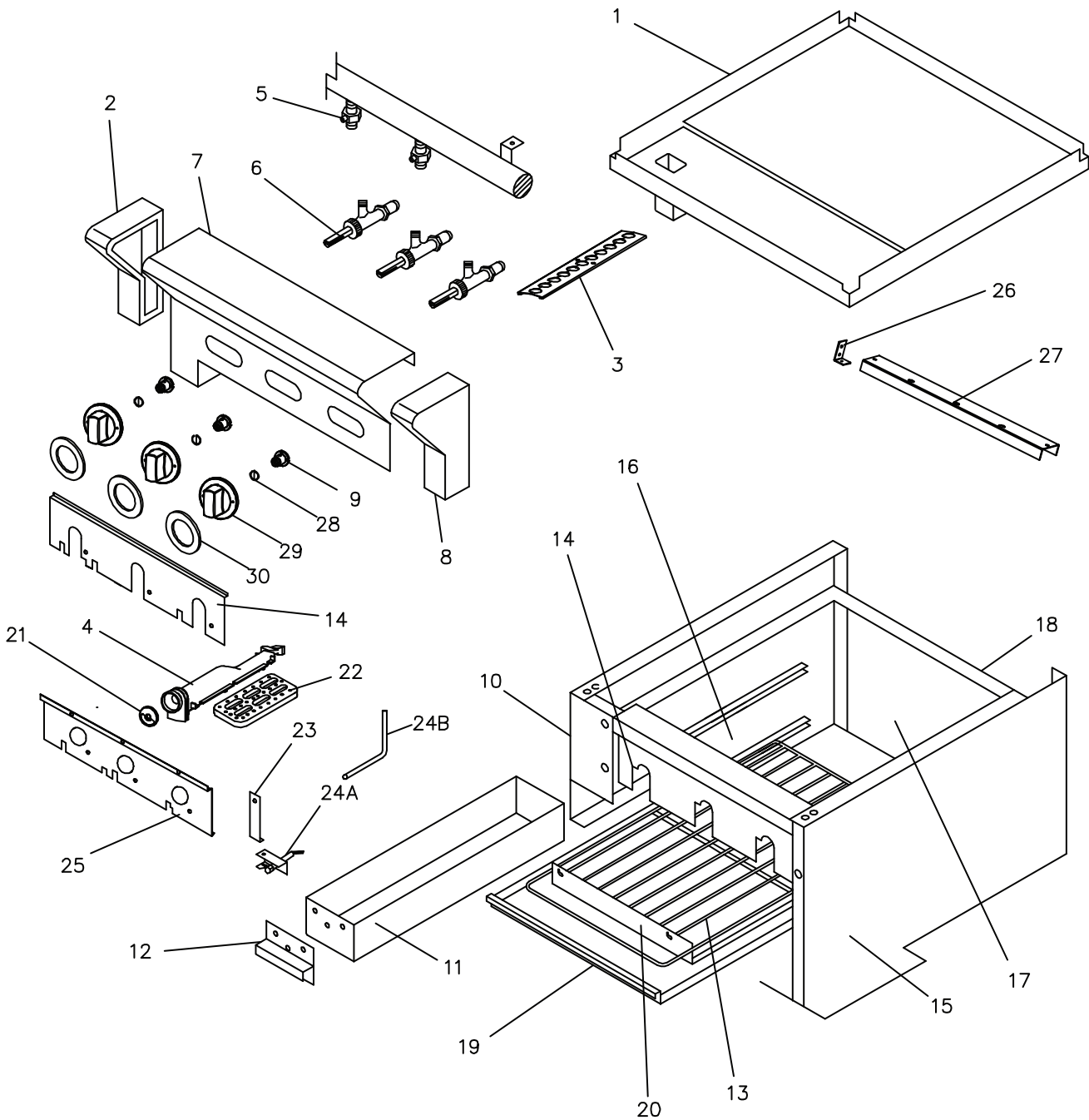
### PS Performer Series Ranges

#### Valve Controlled Griddle Top

ITEM	PART #	DESCRIPTION	QUANTITY	CRITICAL
1	2704294	12" Griddle Assy 5/8" plate	As Required	
	3000094	12" Griddle Assy 1" plate	As Required	
	2704295	24" Griddle Assy 5/8" plate	As Required	
	3000095	24" Griddle Assy 1" plate	As Required	
	2704296	36" Griddle Assy 5/8" plate	As Required	
	3000096	36" Griddle Assy 1" plate	As Required	
	2704297	48" Griddle Assy 5/8" plate	As Required	
	3000097	48" Griddle Assy 1" plate	As Required	
	2704298	60" Griddle Assy 5/8" plate	As Required	
	3000098	60" Griddle Assy 1" plate	As Required	
	2704299	72" Griddle Assy 5/8" plate	As Required	
3000099	72" Griddle Assy 1" plate	As Required		
2	1014901	Cast Iron H-Burner	1	
3	1028002	Air Shutter	1	
4	3096500	Griddle Insert Box 12"	As Required	
	3096501	Griddle Insert Box 24"	As Required	
5	<b>26878XX</b>	<b>Valve</b>	1	C
6	2706802	Valve Extension	1	
7	M8-45	Orifice Hood #45 Natural Gas	1	
	M8-54	Orifice Hood #54 LP Gas	1	
8	3043200	Knob Hub	1	
9	1086597	Pilot Adjust Valve - 3/16 cc	1	
		3/16 Ferrule Included with 1086597	1	
		3/16 cc Nut Included with 1086597	1	
11	<b>3096999</b>	<b>Pilot Assy</b>	1	C
12	3097000	Pilot Bracket	1	
13	2702310	Drip Tray - 36"	As Required	
	2702306	Drip Tray - 24"	As Required	
14	2702405	Grease Bucket - 36"	As Required	
	2702406	Grease Bucket - 24"	As Required	
15	2702606	Grease Bucket Bracket - 36"	As Required	
	2702600	Grease Bucket Bracket - 24"	As Required	
16	3043300	Spring Retainer	1	
17	<b>3043100</b>	<b>Knob Handle</b>	1	C
18	<b>3049101</b>	<b>Knob Handle Insert On-Off</b>	1	C

^ NOT ILLUSTRATED

#### RECOMMENDED STOCK PARTS



## US RANGE PARTS IDENTIFICATION

### PS Performer Series Ranges

#### Raised Broiler/Griddle Top

ITEM	PART #	DESCRIPTION	12 RT	12 LT	24 RT	24 LT	CRITICAL
1	2704293	BG Griddle Assy 24" RT			1		
	2704292	BG Griddle Assy 24" LT				1	
	2704291	BG Griddle Assy 12" RT	1				
	2704290	BG Griddle Assy 12" LT		1			
2	3095100	Front Rail End LT (BG RT)	1		1		
	3095102	Front Rail End LT BG (BG LT)		1		1	
3	4512255	Mesh Support Assy (Only Used For 12" GR)	2	2			
4	1090500	Burner	1	1	3	3	
5	1086597	Pilot Valve - 3/16cc	1	1	3	3	
		3/16 Ferrule Included with 1086597	1	1	3	3	
		3/16 cc Nut Included with 1086597	1	1	3	3	
6	<b>26878XX</b>	<b>Burner Valve</b>	1	1	3	3	C
	M8-52	Orifice Hood #52 Natural Gas	1	1	3	3	
	M8-57	Orifice Hood #57 LP Gas	1	1	3	3	
7	2700512	Valve Cover 24" BG RT			1		
	2700525	Valve Cover 24" BG LT				1	
	2700524	Valve Cover 12" BG RT	1				
	2700526	Valve Cover 12" BG LT		1			
8	3095101	Front Rail End RT (BG LT)		1		1	
	3095103	Front Rail End RT BG (BG RT)	1		1		
9	3043200	Knob Hub	1	1	3	3	
10	2705901	Broiler Box Side LT (BG RT)	1		1		
	2705902	Broiler Box Side RT (BG LT)		1		1	
11	1729501	Grease Drawer	1	1	1	1	
12	2706301	Grease Bucket Handle	1	1	1	1	
13	1090600	Broiler Rack			1	1	
	1090601	Broiler Rack	1	1			
14	2384500	Broiler Burner Shield			1	1	
	2384501	Broiler Burner Shield	1	1			
15	3037400	Broiler/Burner Box Side RT (BG RT)	1		1		
	3037401	Broiler/Burner Box Side LT (BG LT)		1		1	
16	1081999	Side Liner Assy RT (BG RT)	1		1		
	1081997	Side Liner Assy LT (BG RT)	1		1		
	1081995	Side Liner Assy LT (BG LT)		1		1	
	1081996	Side Liner Assy RT (BG LT)		1		1	
17	2705601	Back Liner 24"			1	1	
	2705602	Back Liner 12"	1	1			
18	2706101	Broiler Box Back 24"			1	1	
	2706102	Broiler Box Back 12"	1	1			
19	2702308	Drip Tray 24" BG			1	1	
	2702311	Drip Tray 12" BG	1	1			
20	1090797	Broiler Rack Drip Shield 24"			1	1	
	1090795	Broiler Rack Drip Shield 12"	1	1			
21	1028002	Air Shutter	1	1	3	3	
22	<b>1091000</b>	<b>Ceramic Radiant</b>			8	8	C
23	1415100	Pilot Bracket	1	1	3	3	
24A	<b>1473700</b>	<b>BG Pilot Assy Natural Gas</b>	1	1	3	3	C
	<b>1473701</b>	<b>BG Pilot Assy LP Gas</b>	1	1	3	3	C
24B	4515521	BG Pilot Tubing	1	1	3	3	
25	1414901	Broiler Valve Shield			1	1	
	1414902	Broiler Valve Shield 12"	1	1			
26	1081905	Griddle Burner Rest Support	2	2	2	2	

^ NOT ILLUSTRATED

#### **RECOMMENDED STOCK PARTS**

## US RANGE PARTS IDENTIFICATION

### PS Performer Series Ranges

#### Raised Broiler/Griddle Top

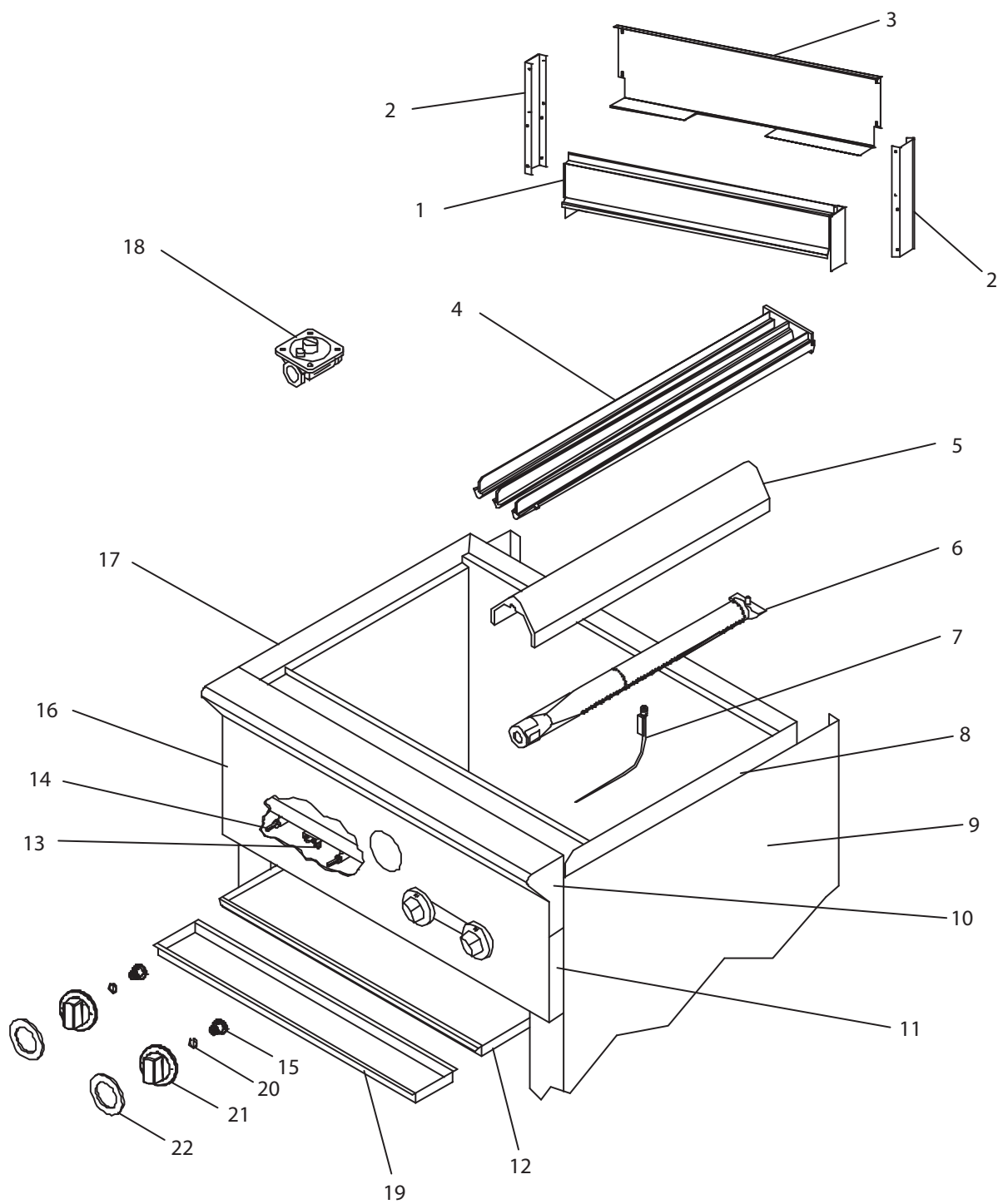
ITEM	PART #	DESCRIPTION	12 RT	12 LT	24 RT	24 LT	CRITICAL
27	2705703	Rear Burner Rest 24"			1	1	
	2705704	Rear Burner Rest 12"	1	1			
28	3043300	Spring Retainer	1	1	3	3	
29	<b>3043100</b>	<b>Knob Handle</b>	1	1	3	3	C
30	<b>3049101</b>	<b>Knob Handle Insert On-Off</b>	1	1	3	3	C

^ NOT ILLUSTRATED

**RECOMMENDED STOCK PARTS**



## **NOTES**



## US RANGE PARTS IDENTIFICATION

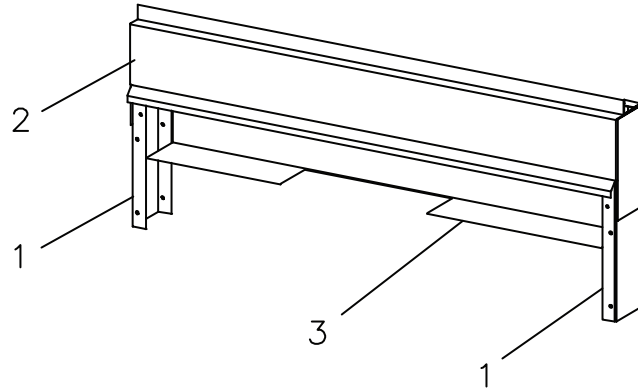
### PS Performer Series Ranges

#### 36" Charbroiler

ITEM	PART #	DESCRIPTION	QUANTITY	CRITICAL
1	3099105	Stub Backguard Front Panel	1	
2	3037305	Stub Backguard Upright RT & LT	2	
3	3099000	Stub Backguard Rear Panel	1	
4	222040	Top Grate - 3 Bar	12	
5	222024	Cast Iron Radiant	6	
6	222079-1	Burner	6	
7	<b>4515534</b>	<b>Pilot Assembly</b>	6	C
8	282401-2	Fire Box Assembly - 36"	1	
9	3037400	Broiler/Burner Box Side RT	1	
10	3095101	Front Rail End RT	1	
	3095100	Front Rail End LT	1	
11	2707601	Rim Roller Extension	2	
12	282764-2	Grease Pan - 36"	1	
13	1510402	Pilot Valve Double 3/16	3	
		3/16 Ferrule Included with 1510402	6	
		3/16 cc Nut Included with 1510402	6	
14	<b>26878XX</b>	<b>Burner Valve</b>	6	C
	M8-50	Orifice Hood #50 Natural Gas	6	
	M8-56	Orifice Hood #56 LP Gas	6	
15	3043200	Knob Hub	6	
16	2700523	Valve Panel	1	
17	3057401	Broiler/Burner Box Side LT	1	
18	<b>2127502</b>	<b>3/4" Pressure Regulator - Natural Gas</b>	1	C
	<b>2127500</b>	<b>3/4" Pressure Regulator - LP Gas</b>	1	C
19	282433-2	Front Grease Pan 36"	1	
20	3043300	Spring Retainer	6	
21	<b>3043100</b>	<b>Knob Handle</b>	6	C
22	<b>3049101</b>	<b>Knob Handle Insert On-Off</b>	6	C

^ NOT ILLUSTRATED

#### **RECOMMENDED STOCK PARTS**

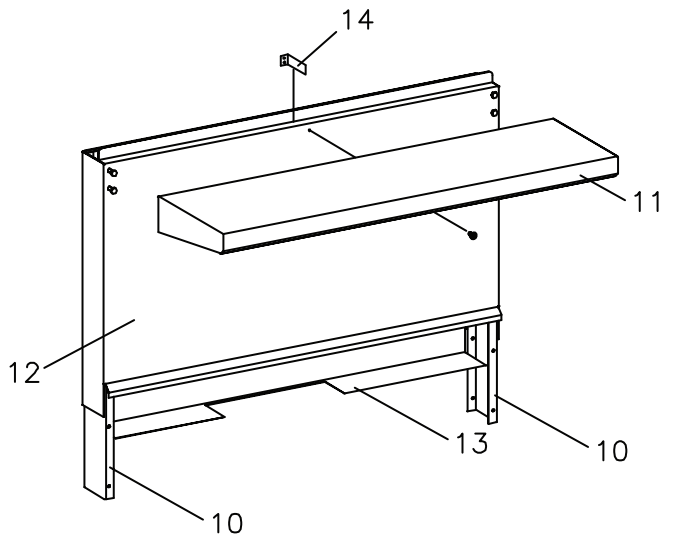
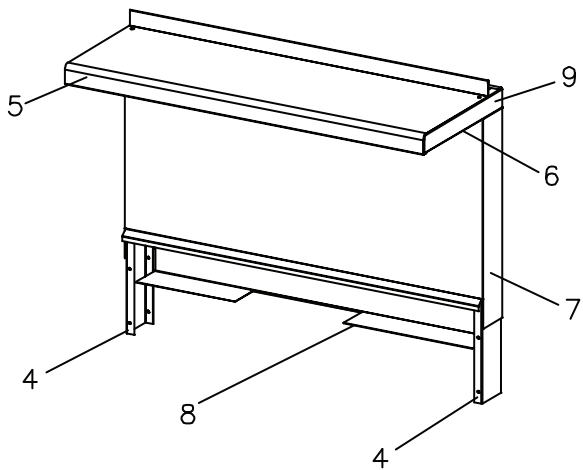


**BACKGUARD**

**HIGH SHELF**

USED UP TO DATE: FEBRUARY 1/06

TWO PIECE HIGH SHELF USED  
FROM DATE FEBRUARY 1/06  
SERIAL NUMBER: 0602100138140



4515009

## US RANGE PARTS IDENTIFICATION

### PS Performer Series Ranges

#### Backguards

ITEM	PART #	DESCRIPTION	24"	36"	48"	60"	72"
1	<b>3037305</b>	<b>Stub Backguard Upright</b>	<b>2</b>	<b>2</b>	<b>2</b>	<b>2</b>	<b>2</b>
	3037304	BG Stub Backguard Upright		2	2	2	2
2	3099101	Stub Backguard Front 24"	1				
	3099100	Stub Backguard Front 36"		1			
	3099102	Stub Backguard Front 48"			1		
	3099103	Stub Backguard Front 60"				1	
	3099104	Stub Backguard Front 72"					1
	3099105	Stub Backguard Front 36 RB		1			
	3099700	Stub Backguard Front BG RT 36"		1			
	3099703	Stub Backguard Front BG LT 36"		1			
	3099701	Stub Backguard Front BG RT 48"			1		
	3099704	Stub Backguard Front BG LT 48"			1		
	3099702	Stub Backguard Front BG RT 60"				1	
3099705	Stub Backguard Front BG LT 60"				1		
3	3099001	Stub Backguard Back 24"	1				
	3099000	Stub Backguard Back 36"		1			
	3099002	Stub Backguard Back 48"			1		
	3099003	Stub Backguard Back 60"				1	
	3099004	Stub Backguard Back 72"					1
	3099900	Stub Backguard Back BG 36"		1			
	3099901	Stub Backguard Back BG 48"			1		
	3099902	Stub Backguard Back BG 60"				1	

#### High Shelves Used Up To Feb 1, 2006

ITEM	PART #	DESCRIPTION	12" *	24"	36"	48"	60"	72"
4	3094600	SDHS Upright RT/LT	1	2	2	2	2	2
5	3094701	SDHS Top 12"	1					
	3094702	SDHS Top 24"		1				
	3094700	SDHS Top 36"			1			
	3094703	SDHS Top 48"				1		
	3094704	SDHS Top 60"					1	
	3094705	SDHS Top 72"						1
6	3095201	SDHS Cover 12"	1					
	3095202	SDHS Cover 24"		1				
	3095200	SDHS Cover 36"			1			
	3095203	SDHS Cover 48"				1		
	3095204	SDHS Cover 60"					1	
	3095205	SDHS Cover 72"						1
7	4512857	SDHS Front Panel 24"		1				
	4512856	SDHS Front Panel 36"			1			
	4512858	SDHS Front Panel 48"				1		
	4512859	SDHS Front Panel 60"					1	
	4512860	SDHS Front Panel 72"						1
	4512861	SDHS Front Panel BG RT 36"			1			
	4512862	SDHS Front Panel BG LT 36"			1			
	4512863	SDHS Front Panel BG RT 48"				1		
	4512864	SDHS Front Panel BG LT 48"				1		
	4512865	SDHS Front Panel BG RT 60"					1	
4512866	SDHS Front Panel BG LT 60"					1		

^ NOT ILLUSTRATED

#### **RECOMMENDED STOCK PARTS**

\* Note: 12" SDHS Is Component of 48" Salamander Broiler Mount

## GARLAND PARTS IDENTIFICATION

### PS Performer Series Ranges

#### High Shelves

**Used Up To Feb 1, 2001**

ITEM	PART #	DESCRIPTION	12" *	24"	36"	48"	60"	72"
8	3095001	SDHS Back Panel 12"	1					
	3095002	SDHS Back Panel 24"		1				
	3095000	SDHS Back Panel 36"			1			
	3095005	SDHS Back Panel 48"				1		
	3095003	SDHS Back Panel 60"					1	
	3095004	SDHS Back Panel 72"						1
9	3094800	SDHS Shelf Support RT	1	1	1	1	1	1
	3094801	SDHS Shelf Support LT	1	1	1	1	1	1

#### Two Piece High Shelves

**Used From Feb 1, 2006. Serial # 0602100138140**

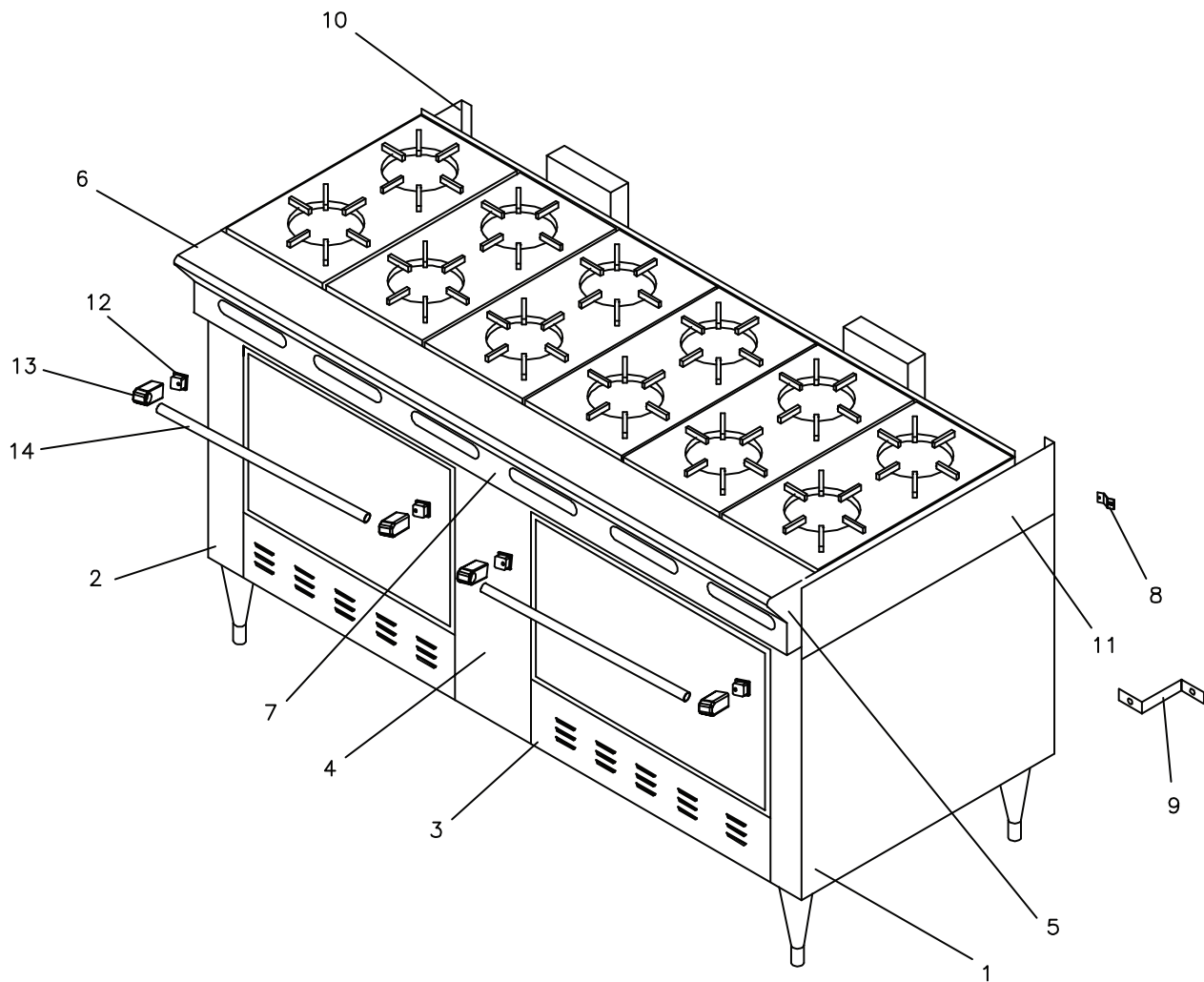
ITEM	PART #	DESCRIPTION	24"	36"	48"	60"	72"	
10	4520785	SDHS Shelf Upright Support	2	2	2	2	2	
	4520989	Shelf SDHS 24"	1					
	4520990	Shelf SDHS 36"		1				
11	4520991	Shelf SDHS 48"			1			
	4520992	Shelf SDHS 60"				1		
	4520993	Shelf SDHS 72"					1	
12	4520776	Front Panel SDHS 24"	1					
	4520777	Front Panel SDHS 48"			1			
	4520711	Front Panel SDHS 36"		1				
	4520778	Front Panel SDHS 60"				1		
	4520779	Front Panel SDHS 72"					1	
	4520869	Removable Front Panel SDHS (36") 12BG RT Use For Right Hand Griddle Model		1				
	4520870	Removable Front Panel SDHS (36") 12BG LT Use For Left Hand Griddle Model		1				
	4520871	Removable Front Panel SDHS (48") 24BG RT Use For Right Hand Griddle Model			1			
	4520872	Removable Front Panel SDHS (48") 24BG LT Use For Left Hand Griddle Model			1			
	4520873	Removable Front Panel SDHS (60") 24BG RT Use For Right Hand Griddle Model				1		
	4520874	Removable Front Panel SDHS (60") 24BG LT Use For Left Hand Griddle Model				1		
		3095002	SDHS Back Panel 24"	1				
		3095000	SDHS Back Panel 36"		1			
	13	3095005	SDHS Back Panel 48"			1		
3095003		SDHS Back Panel 60"				1		
3095004		SDHS Back Panel 72"					1	
14	4515626	SDHS Rear Support Bracket	1	1	1	1	1	

^ NOT ILLUSTRATED

**RECOMMENDED STOCK PARTS**

\* Note: 12" SDHS Is Component Of 48" Salamander Broiler Mount

## **NOTES**



4515000



## US RANGE PARTS IDENTIFICATION

### PS Performer Series Ranges

#### Exterior Finish

ITEM	PART #	DESCRIPTION	24"	36"	48"	60"	72"
1	1081113	Body Side Right SS	1		1	1	
	1081104	Body Side Right SS		1			1
2	1081108	Body Side Left SS	1		1	1	
	1081109	Body Side Left SS		1			1
3	2376703	Kick Panel 24"	1		2		
	2376702	Kick Panel 36"		1		2	2
4	1081506	Centre Column			1	1	
	1370101	Centre Column					1
5	3095101	Front Rail End RT	1	1	1	1	1
6	3095100	Front Rail End LT	1	1	1	1	1
7	2700501	Valve Cover 24"	1				
	2700502	Valve Cover 36"		1			
	2700503	Valve Cover 48"			1		
	2700504	Valve Cover 60"				1	
	2700505	Valve Cover 72"					1
	2700514	Valve Cover 24" Single RC (Use 4515587)		1	1		
	2700515	Valve Cover 36" Single RC (Use 4515588)		1		1	
	2700516	Valve Cover 36" Double RC (Use 4515589)				1	
	2700517	Valve Cover 48" Single RC (Use 4515590)			1		
	2700518	Valve Cover 60" Single RC (Use 4515591)				1	
	2700519	Valve Cover 60" Double RC (Use 4515592)				1	
	2700520	Valve Cover 72" Single RC (Use 4515593)					1
2700521	Valve Cover 72" Double RC (Use 4515594)					1	
8	1355900	Body Side Stiffener (RC Oven)		2	1	2*	2*
9	1081300	Side Rear Brace (Std Oven)	2	2	2*	2*	2*
10	2589200	Burner Box Side LT	1	1	1	1	1
	3037401	Broiler/Burner Box Side (BG LT)		1	1	1	
11	2589201	Burner Box Side RT	1	1	1	1	1
	3037400	Broiler/Burner Box Side (BG RT)		1	1	1	
12	3010000	Oven Door Spacer	2	2	4**	4**	4**
13	3007300	Handle End LT & RT	2	2	4**	4**	4**
14	3017000	Oven Door Handle 26" Oven		1		2	2
	3017001	Oven Door Handle 20" Oven	1		2**		

^ NOT ILLUSTRATED

#### **RECOMMENDED STOCK PARTS**

\* Note: Units with single RC oven have a quantity of one each of 1355900 and 1081300

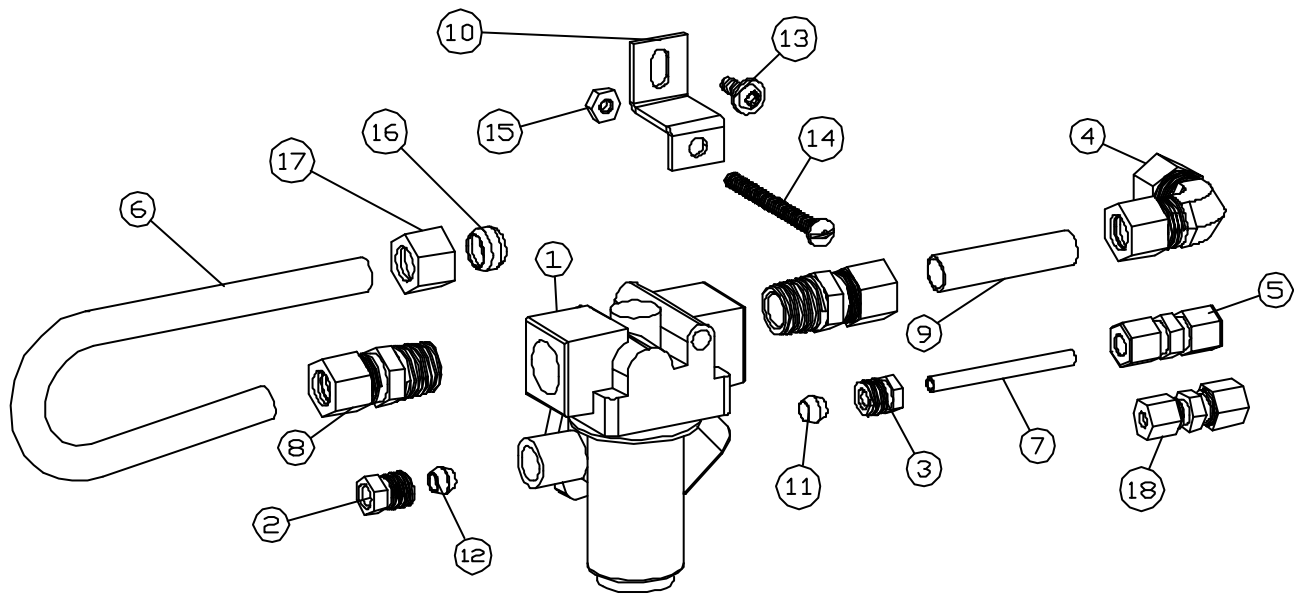
\*\* Note: For units with double oven. Quantity will be reduced by the number of storage compartments in a particular unit. Some 48" models have 26" oven so 3017000 would be substituted for 3017001

**US RANGE PARTS IDENTIFICATION**  
**PS Performer Series Ranges**  
**Conversion Kit for PS Ranges to Liquid Propane**

ITEM	PART #	DESCRIPTION	QUANTITY
1	4516399	Conversion Kit PS Ranges Propane	1
<b>All Parts Below are included in the Kit</b>			
	M8-1500	Small Orifice 1.5mm S	10
	M8-54	Small Orifice 54 Size	5
	M8-57	Small Orifice 57 Size	3
	M9-51	Large Orifice 51 Size	2
	M9-54	Large Orifice 54 Size	2
	1415301	2C-2 Pilot Propane	2
	1473701	Broiler Pilot (Pro)	3
	2127500	Regulator Pro 10" W/C	1
	4516403	Label Rating Plate Supply PS	1
	4516405	Label - Conversion Declaration	1
	4516443	SX Conversion Instructions Pro	1

**US RANGE PARTS IDENTIFICATION**  
**PS Performer Series Ranges**  
**Conversion Kit for PS Ranges to Natural Gas**

ITEM	PART #	DESCRIPTION	QUANTITY
1	4516400	PS Range Conversion Kit Natural	1
<b>All Parts Below are included in the Kit</b>			
	M8-39	Small Orifice 39 Size	10
	M8-45	Small Orifice 45 Size	5
	M8-52	Small Orifice 52 Size	3
	M9-31	Large Orifice 31 Size	2
	M9-36	Large Orifice 36 Size	2
	M9-40	Large Orifice 40 Size	2
	1415300	2C-2 Pilot Natural	2
	1473700	Broiler Pilot Nat - H	3
	2127502	Regulator Nat 4.5" W/C	1
	4516405	Label - Conversion Declaration	1
	4516444	PS Conversion Instruction Nat	1
	4516404	Label - Rating Plate Supp - PS	1



**US RANGE PARTS IDENTIFICATION**

**PS Performer Series Ranges**

**Baso Valve**

ITEM	PART #	DESCRIPTION	QTY
1	1415703	Hi Temp Safety Baso Valve	1
2	M225	1/4 Tube Comp Nut	1
3	M231	3/16 Tube Comp Nut	1
4	1313800	7/16cc x 7/16cc 90 Deg Elbow	1
5	076050-89	3/16cc x 3/16cc Comp Union	1
6	4518708	7/16 Tubing Safety Valve To Oven Orifice	1
7	4518716	3/16 Tubing Comp Union To Safety Valve Inlet	1
8	1095499	7/16cc x 3/8 NPT Straight Connector	1
9	4518715	7/16 Tubing Elbow to Straight Connector	1
10	1391500	Safety Valve Bracket	1
11	M126	3/16 Tubing Ferrule	1
12	M124	1/4 Tubing Ferrule	1
13	F60	#10A x 5/8 Sheetmetal Screw	1
14	F16	#10-24 x 2.5 RD HD Machine Screw	1
15	F312	#10-24 Locknut	1
16	M122	7/16 Tubing Ferrule	1
17	M123	7/16 Comp Nut	1
18	G62R-43	1/4cc x 16cc Comp Union	1
^	4518689	Include Item numbers 1 through 18	

^ NOT ILLUSTRATED

**RECOMMENDED STOCK PARTS**

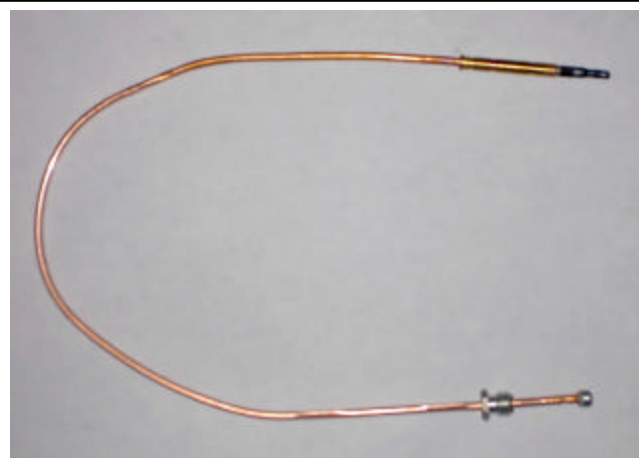
Baso Valve



**G01479-01 TS11J Safety Valve**  
(Page 5 Item 5A)  
(Page 9 Item 24A)



**1415703 High Temp Baso Valve**  
(Page 5 Item 5C)  
(Page 9 Item 24C)



**4518817 Thermocouple 18" Long**  
(Page 5 Item 5D)  
(Page 9 Item 24D)



4519723 S/S Adjustable Leg (Opt)

**Standard Oven Pilot Burners**



**1415300 Oven Pilot Burner Assembly (Natural)  
Black Marker Indicates Natural Gas**



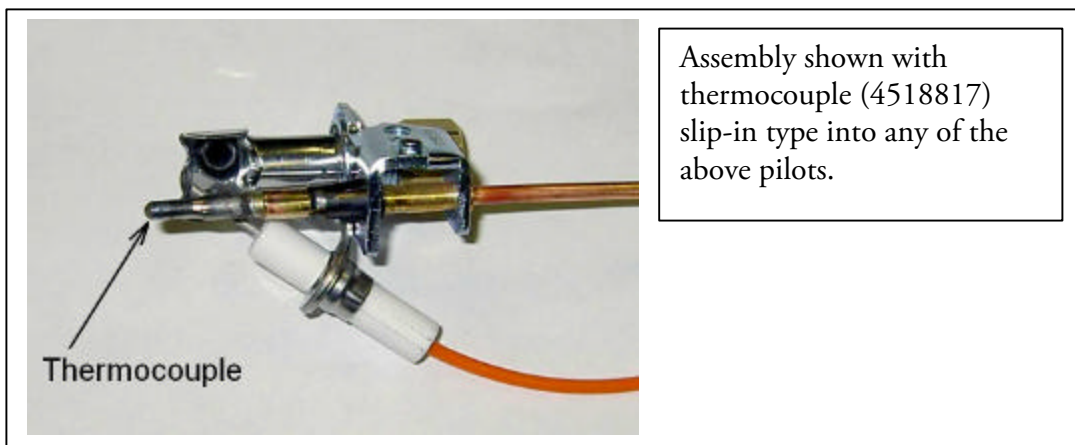
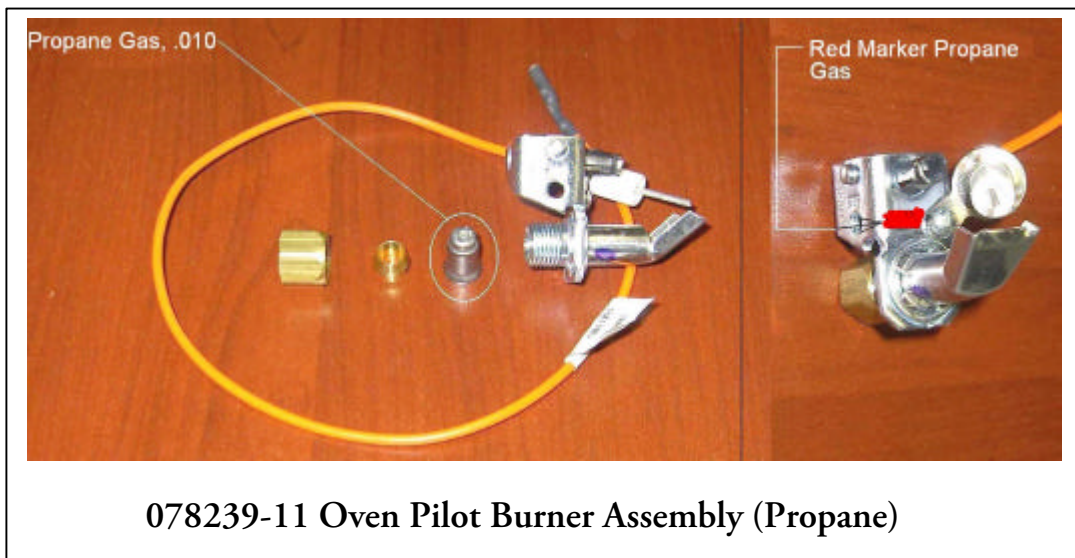
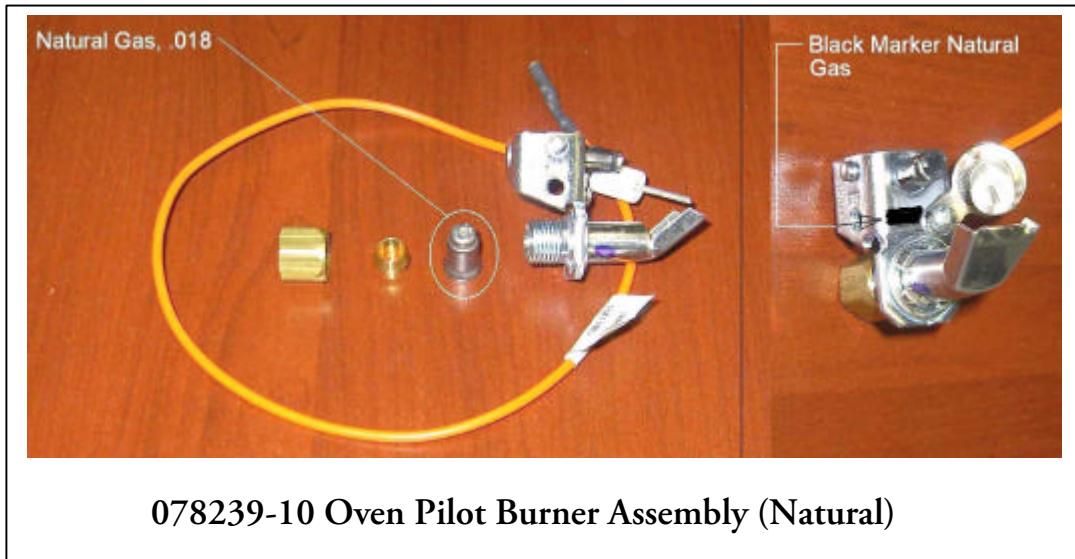
**1415301 Oven Pilot Burner Assembly (Propane)  
Red Marker Indicates Propane Gas**



Assembly shown with thermocouple (4518817) slip-in type into any of the above pilots.



## Convection Oven Pilot Burners



## US RANGE PARTS IDENTIFICATION

### Revision History

REV. #	PAGE #	ITEM #	NOTE	DATE	
10	7,8	30	New Part Number Added	Sep 13/05	
11	17	13	Part Number And Description Changed – Was 2702803	Jan 03/06	
	36		Part # Were Switched – Correction Made		
12	4	10	New Drawing	Feb 21/06	
	6	35	Part # 1027800 & 10527801 Description Changed		
	9	28	(NLA Deleted)		
13	4		Drawing Modified	Aug 16/06	
	5	7A, 7B, 7C	New Part Number Added – Was 1361000 & 2330800		
	6	45, 46, 47	New Part Number Added		
	7	48	New Part Number Added		
	8		Drawing Modified		
	9	21	131000 Orifice Bracket Replaced by 21A & 21B		
	11	84,85,86	New Part Number Added		
	13	13	7B		Description Changed
			7C		New Part Number Added
			7D		Part #M8-1.5mm Replaced by M8-1500
					Foot Note Added
	20				Drawing Modified – 24A & 24B
	21	21	3		Description Changed
			22		Quantity Changed
			24B		Part # Added
	26				Drawing Modified
28	10 TO 14		New Part Numbers Added		
30			Drawing Modified		
31	15		New Part Number		
14	4		Drawing Modified	Aug 30/06	
	5	3			
	11	87,88,89,90 91,92,93			New Part Number Added
					Part # 4516443 Of The Propane Kit Changed (Was 4516433)
	32	Propane Natural			Part Number M8-1500 Changed (Was M8-1.5)
			Natural Gas Kit – 2 Part Numbers Added M9-36 & 451604		
15	3		Index Updated	Jan 15/07	
	10		New Wiring Diagram Kit Inserted		
	12		Warning Harness Kits Item Number Replaced by Letter And Note (Diagram On Page 10) Added		
16	32,33	15	1081600 (High Shelf Front Stabilizer) Deleted	Mar 23/07	
17	11	61	New Part Number – Was (G2840-1 Cord & Plug Set)	Aug 06/08	
	4 to 27		Critical Column Added		
	3		New Index		



## **NOTES**

## **NOTES**

## **NOTES**

 ***U.S. Range***<sup>®</sup>