



PII PERFORMER SERIES

PARTS LIST

Toll Free Phone, (US & Canada): (800) 427-6668

Toll Free Fax, (US & Canada): (800) 361-7745

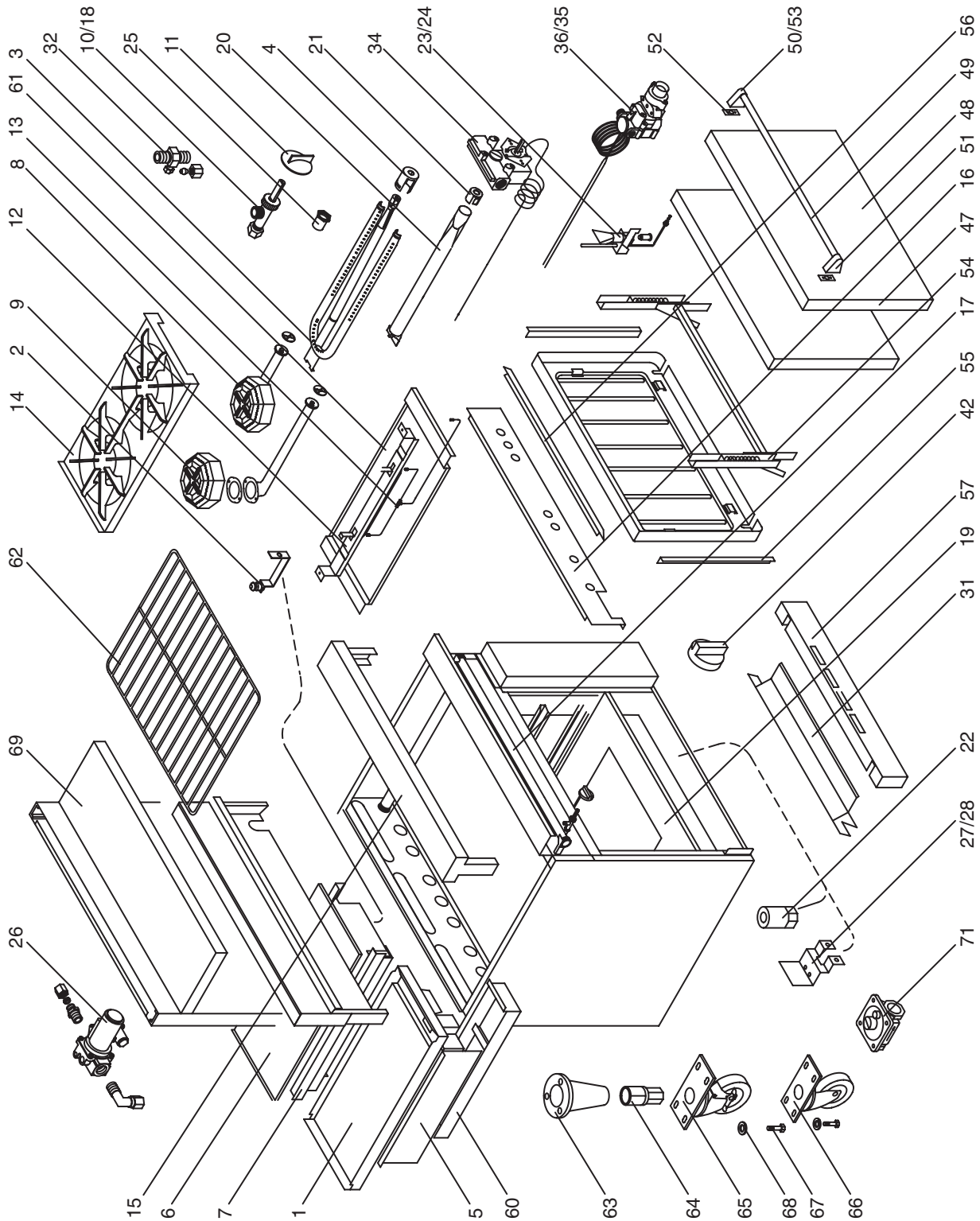
<http://www.garland-group.com>



PII PERFORMER SERIES

Contents:

Oven Section	Page 4
Convection Oven	Page 10
Broiler Griddle 12"-24"	Page 14
Char Broiler RB-26 PMA, RB-36 PMA	Page 16
Oven Section (Serial Numbers Starting With V)	Page 18
Convection Oven (Serial Numbers Starting With V)	Page 20
Broiler Griddle 12"-24" (Serial Numbers Starting With V)	Page 22
Griddle Plates	Page 24



USR99-P2-Rst Seri
REV.0

US RANGE PARTS IDENTIFICATION

PII Performance Series

Section 1 Restaurant Oven

ITEM	PART #	DESCRIPTION
1	Griddle Plate	Specify Model Left Or Right Side Drain - See Chart Included
2	282616	Pilot Tubing Assy - 1 Per Burner-Griddle
3	222076	Burner Assy-Griddle
4	223005-4	Air Shutter- Griddle Burner
5	Griddle	Gire Box Slide Rail Assy-Specify Model #
6	282227	Hot Plate Assy 12"
7	282753	Hot Top Frame Assy 12"
8	2278700	Open Top Burner Assy-Front (New Style Consists Of Parts Below)
	222162	Open Burner Head Only
	222015	Venturi/Air Shutter-Front Burner Cast Iron
	223005-10	Air Shutter S/S
9	282555	Open Top Burner Assy-Rear (Cast Iron, Consists Of Parts Below With 2 Types of Venturi Available)
	222162	Open Burner Head Only
	222172	Venturi/Air Shutter-Rear Burner S/S
	222161	Venturi/Air Shutter-Rear Burner Cast Iron
	223005-10	Air Shutter S/S
	224005	Gasket/Burner Head - (Cast Iron Venturi Only)
	224005-1	Gasket/Burner Head - (S/S Venturi Only)
	225233	Bolts (Open Burner Head To Venturi)
10	26878XX	Burner Valve-Open Top, Griddle & Hot Top- W/O Orifice
11	224002	Burner Valve Knob-Open Top, Griddle & Hot Top Metal
12	282624	Open Burner Hanger Assy
13	282626	Open Burner Pilot Tubing Assy
14	2706901	Top Grate - Open Burner
15	282536-1	Landing Ledge-24" - Top
	282536-2	Landing Ledge-36" - Top
	282536-3	Landing Ledge-60" - Top
	282536-4	Landing Ledge-48" - Top
	282536-5	Landing Ledge-72" - Top
16	Valve Cover	Specify Model & Serial Number
17	Manifold Assy	Specify Model & Serial Number
18	227005	Oven Manual Shut Off Valve
19	282080-01	Oven Bottom With Flame Spreader - 20" Oven (NLA)
	282562	Oven Bottom 20"
	282575	Flame Spreader 20"
	282556	Oven Bottom 26"
	282080-2	Oven Bottom With Flame Spreader - 26" Oven (NLA)
	282565	Flame Spreader Only 26" Oven
20	1028197	Oven Burner Natural
	222076	Burner, Steel Metal "U"
21	223005-5	Air Shutter
22	223242-42	Oven Burner Orifice - Nat - 20" Oven
	M8-53	Oven Burner Orifice - LP - 20" Oven
	223242-34	Oven Burner Orifice Nat 26" Oven
	M9-51	Oven Burner Orifice - LP 26" Oven
23	1758901	Electronic Oven Pilot - Nat (Mounted On L/S Of Burner)
	1758902	Electronic Oven Pilot - LP (Mounted On L/S Of Burner)
	1028299	Standing Oven Pilot - Nat (Mounted On R/S Of Burner)
	1028298	Standing Oven Pilot - LP (Mounted on R/S Of Burner)

* NOT ILLUSTRATED

RECOMMENDED STOCK PARTS

US RANGE PARTS IDENTIFICATION

PII Performance Series

Section 1 Restaurant Oven

ITEM	PART #	DESCRIPTION
24	F810-0126	Oven Pilot Orifice - Nat - 20" Oven
	1028207	Oven Pilot Orifice - LP 20" Oven
	F810-0126	Oven Pilot Orifice - Nat 26" Oven
	1028207	Oven Pilot Orifice - LP 26" Oven
25	M8-46	Open Burner Orifice - Nat
	M8-55	Open Burner Orifice -LP
	M8-48	Hot Top Burner Orifice - Nat
	M8-56	Hot Top Burner Orifice - LP
	MP-51	Griddle Burner Orifice - Nat - (Thermostat Control)
	M8-57	Griddle Burner Orifice - LP - (Thermostat Control)
	223242-44	Griddle Burner Orifice - Nat (Manual Control)
	223242-54	Griddle Burner Orifice - LP (Manual Control)
26	1415702	Oven Safety Pilot Valve - Baso Type
27	282534	Safety Pilot Bracket
28	225056	Bolt For Bracket - 10 -1 24 x 2 1/2
29*	225066	Hex Nut For Bracket - 10 - 24"
30"	223280	Orifice Elbow -W/O Orifice - Oven - 1/4" x 3/8"
31	282441-1	Front Burner Compartment Baffle - 20" Oven
	282441-2	Front Burner Compartment Baffle - 26" Oven
32	227199	Pilot Valve Adj. (Used Across The Board)
33*	Control Panel	Specify Model & Serial Number
34	227181-1	Thermostat - Oven -GS Type (Older Version Before 1990)
	227181-2	Thermostat - Griddle - GS Type (Older Version Before 1990)
35	227054	Thermostat - Oven "BJ Type" (2 Hole) Recommended To Get A Plug to Block Unused Port (Item 35A)
35A*	1007301	1/4" Pipe Plug
36	227000	Thermostat - Griddle "BJ Type" (2 Hole)
37*	225018	Capillary Bulb Holder - Oven TST
38*	224233	@ Thermostat Knob - Black (GS Control)
39*	224323	@ Insert (Red) Between Thermostat Stem & Knob (GS Control)
40*	224279	@ Overlay (Degrees) Oven Thermostat (GS Control)
41*	224280	@ Overlay (Degrees) Griddle Thermostat (GS Control)
42	224274-1	Knob (Red) (ON/OFF) - Oven - GS TST
	224274-2	Knob (Red) (ON/OFF) _ Griddle Thermostat GS TST
43*	224022	Dial - Oven "BJ" Type TST
	224000	Dial - Griddle "BJ" Type TST
44*	228111	Bezel - Oven TST
45*	228112	Bezel - Griddle TST
46*	229147-2	U.S. Range Emblem - (Blue)
47	282130-2	Oven Door Assy - S/S 20" Oven
	282110-2	Oven Door Assy - S/S 26" Oven
	282130-1	Oven Door Assy Black 20" Oven
	282110-6	Oven Door Assy Black 26" Oven
48	282131-1	Oven Door Liner - Porc 20" Oven
	282111-1	Oven Door Liner - Porc 26" Oven
	282134-1	Oven Door Front Panel S/S - 20" Oven (Shown With 47)
	282476-2	Oven Door Front Panel Blk - 26" Oven (Shown With 47)
49	221187-14	Oven Door Handle - 20" Oven
	221187-15	Oven Door Handle - 26" Oven (Old Style)
	1589100	Oven Door Handle - 26" Oven (New Style)
50	9003700	Handle End Right (New Style)

* NOT ILLUSTRATED

RECOMMENDED STOCK PARTS

US RANGE PARTS IDENTIFICATION

PII Performance Series

Section 1 Restaurant Oven

ITEM	PART #	DESCRIPTION
51	9003701	Handle End Left (New Style)
52	224242	Door Handle Spacer
53	1007	Door Handle Bolt 1/4 x 20 x 3/4
54	282135	Door Closure Mechanism Assy - 20"
	282115	Door Closure Mechanism Assy - 26"
55	282068	Oven Door Seal (Sides) - 20" & 26" Oven
56	282674	Oven Door Seal (Top) - 20" Oven
	282067-2	Oven Door Seal (Top) - 26" Oven
57	282022-1	Kick Plate - S/S - 20" Oven
	282567-2	Kick Plate - S/S - 26" Oven
	282478-1	Kick Plate - Blk - 20" Oven
	282478-2	Kick Plate - Blk - 26" Oven
58*	282043	Kick Plater Bracket Assy
59*	1415000	Thermocouple
60	282422	Grease Can - Griddle - 4" Wide
	282576	Grease Can Pan Assembly
	282630-1	Trim Handle Fro Grease Can
	252114-0	Grease Can - Griddle - 2" Wide
61	282636-1	Drip Pan - Open Top 12"
	282636-2	Drip Pan - Open Top - 24"
	282636-3	Drip Pan - Open Top - 36"
62	226060-1	Oven Rack - 20" Oven - 20 9/16" x 19 7/8"
	226060-5	Oven Rack - 26" Oven - 20 9/16" x 26 3/8"
63	1027603	6" Cone Leg
64	1150502	Foot Insert
65	1027811	Caster W/Brake
66	1027810	Caster W/O Brake
67	225248	Bolt For Caster & Legs (4 Per Leg Or Caster)
68	225076	Lockwashers - Casters & Legs (4 Per Leg Or Caster)
69	2822601-1	High Shelf Assy - S/S 24" Range
	2822601-2	High Shelf Assy - S/S 36" Range
	2822601-3	High Shelf Assy - S/S 60" Range
	2822601-4	High Shelf Assy - S/S 48" Range
	2822601-5	High Shelf Assy - S/S 72" Range
	2822601-6	High Shelf Assy - Blk 24" Range
	2822601-7	High Shelf Assy - Blk 36" Range
	2822601-8	High Shelf Assy - Blk 60" Range
	2822601-9	High Shelf Assy - Blk 48" Range
	2822601-10	High Shelf Assy - Blk 72" Range
70*	282251-1	Stub Back Assy - S/S 24" Range
	282251-2	Stub Back Assy - S/S 36" Range
	282251-3	Stub Back Assy - S/S 60" Range
	282251-4	Stub Back Assy - S/S 48" Range
	282251-5	Stub Back Assy - S/S 72" Range
	282251-6	Stub Back Assy - Blk 24" Range
	282251-7	Stub Back Assy - Blk 36" Range
	282251-8	Stub Back Assy - Blk 60" Range
	282251-9	Stub Back Assy - Blk 48" Range
	282251-10	Stub Back Assy - Blk 72" Range
71	1019012	Pressure Regulator - Nat 3/4" 5" W.C.
	2127500	Pressure Regulator - Nat #/4" 10" W.C.

* NOT ILLUSTRATED

RECOMMENDED STOCK PARTS

US RANGE PARTS IDENTIFICATION

PII Performance Series

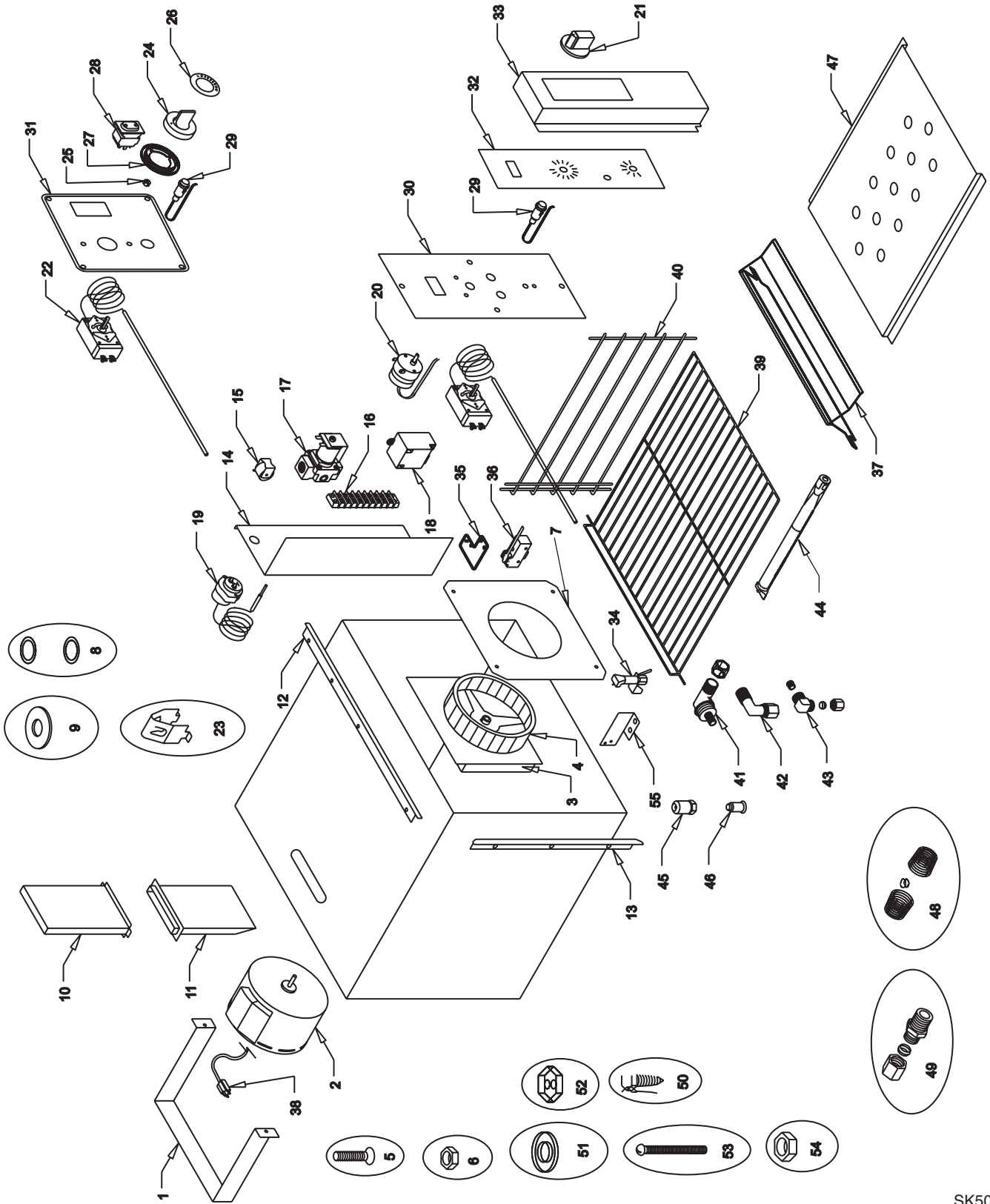
Section 1 Restaurant Oven

ITEM	PART #	DESCRIPTION
72*	224271	Burner Knob (Black) Plastic - Open Top - (ON/OFF) NLA
	G2716-2	Dial
	G02725-21	Adaptor
73*	224225	Door Handle Bracket, Plated
74*	229145	Logo-Door

* NOT ILLUSTRATED

RECOMMENDED STOCK PARTS

NOTES



SK5042
REV.0
USR99-P2-Convection Oven

US RANGE PARTS IDENTIFICATION

PII Performance Series

Section 3 - Convection Oven

ITEM	PART #	DESCRIPTION
1	282285	Motor Guard
2	228129	Motor Only - 1/4 HP
3	252757	Motor Pad Assy
4	228130	Blower Wheel/Fan
5	225249	Bolts For Motor Mount - 1/4" - 20"
6	225053-2	Hex Nut - 1/4" 20 x 7/16"
7	261543	Blower Cover - (Black)
	261543-1	Blower Cover - (Porcelain)
8	261590-1	Spacer - Inside Fan Guard
	261690-2	Spacer - Outside Fan Guard
9	225076	Washer
10	282092	Flue Assy
11	261545-1	Flue Spout Assy
12	282068	Door Gaskets - Top And Bottom
13	282068	Door Gaskets - Sides
14	282431-1	Control Bracket -R/H - 36" & 72" Units Only (Side)
	282431-2	Control Bracket -L/H - 36" & 72" Units Only (Side)
15	227157	Buzzer - 36" & 72" Units Only
16	228000	Terminal Block - 36" & 72" Units Only
17	G02965-1	Solenoid Valve
	252771	Solenoid Valve Assembly
18	077188-1	Spark Module
19	077189-1	Flame Switch
20	228265	Timer - 36" & 72" Units Only
21	224230-1	Knob (Gray) - Timer & TST - 36" & 72" Units Only
22	227155	Thermostat - Electric (KX Type)
23	225222	Capillary Bulb Holder
24	224233	Thermostat Knob - 48" & 60" Units Only
		Recommended To Replace Red Adapter (224232) Also
25	224232	Red Adapter For Knob Position
26	224279	Overlay For Knob - 48" & 60" Units Only
27	224237	Bezel - 48" & 60" Units Only
28	1729100	3 - Way Switch - (ON/OFF/COOL DOWN) (Whites)
29	228007-3	Indicator Light (Red)
30	282065-1	Control Panel Bracket - 36" & 72" Units Only - Decel
31*	229125	Control Face Plate Decel - 48" & 60" Units Only (Gray)
32	229127	Control Face Plate Decel - 36" & 72" Units Only (Gray)
33	282045-1	Control Cover Assembly R/H - 36" & 72" Units Only
	282045-2	Control Cover Assembly L/H - 36" & 72" Units Only
34	1758901	Pilot Burner Assy W/Leads - Nat
35	282075	Door Switch Bracket - L/H - 36" & 72" Units Only
	282075-1	Door Switch Bracket - R/H 36" & 72" Units Only
36	227034	Microswitch / Doorswitch
37	282441-2	Front Baffle
38	228210-1	Electric Power Cord
39	226061	Oven Rack - 25 7/8" x 20 9/16"
40	226050	Oven Rack Support (L/H or R/H)
41	223000-1	Orifice Elbow 90 W/O Orifice / Trailer Pilot
42	223073	Elbow 90 - 3/8" x 3/8" NPT
43	223076	Elbow 90 (1/8")
44	282059	Oven Burner (NLA) - Sub 1028197 C/N 223005 Air Shutter

* NOT ILLUSTRATED

RECOMMENDED STOCK PARTS

US RANGE PARTS IDENTIFICATION

PII Performance Series

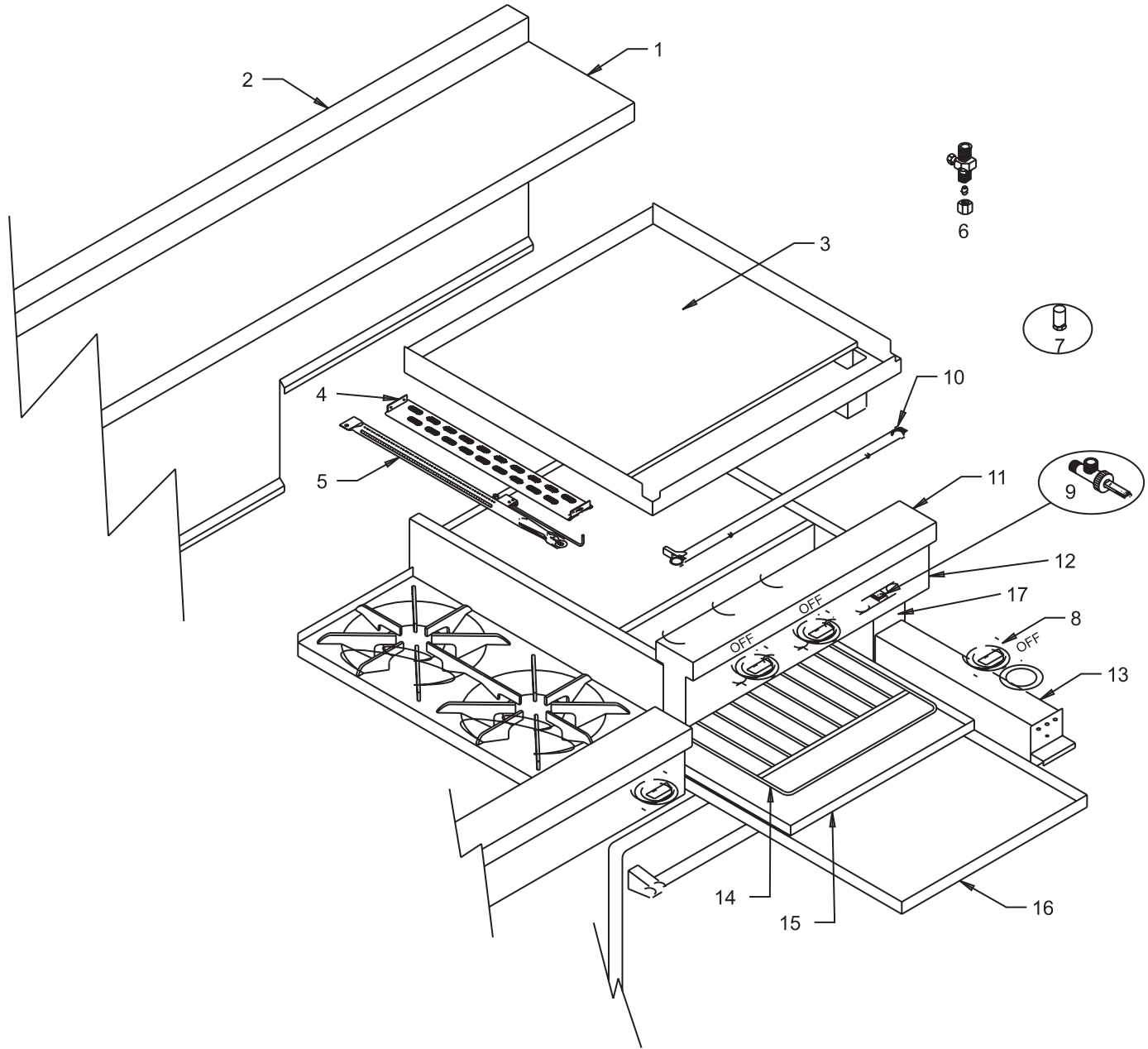
Section 3 - Convection Oven

ITEM	PART #	DESCRIPTION
45	223242-40	Oven Burner Orifice - Nat
	F810-0126	Oven Pilot Orifice - Nat
46	M8-53	Oven Burner Orifice - LP
	1028207	Oven Pilot Orifice - LP
47	282457	Oven Aeration Pan
48	252773	Nipple/Tapped - 3/8" x 2"
49	223079	Half Union/Brass 3/8" x 1/4" Brass
50	225072	Screw - 10- 1/2"
51	225009	Insulating Washer - 3/4" O.D. x 1/4" I.D. x 1/8"
52	225010	Hex Nut, 8-32
53	225094	Fastener - 6-32" x 1 1/2
54	225013	Hex Nut - 6-32
55*	282442	Bottom Orifice Bracket - 48" & 60" Only
56*	229129	Wiring Diagram - 48" & 60" Units Only
57*	229129-1	Wiring Diagram - 36" & 72" Units Only

* NOT ILLUSTRATED

RECOMMENDED STOCK PARTS

NOTES



SK5041
REV. 0

USR-P2-Broiler Griddle 12-14

US RANGE PARTS IDENTIFICATION

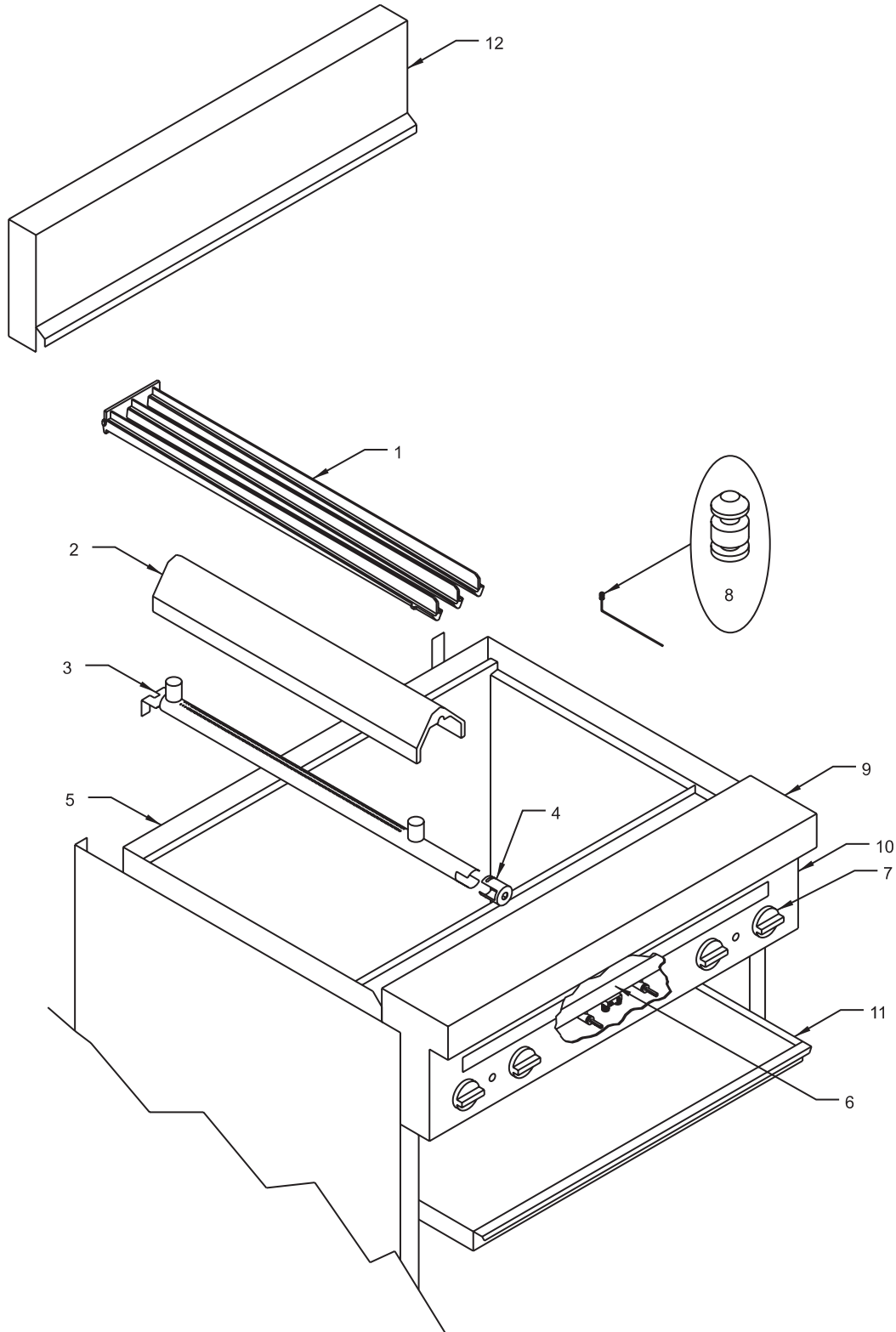
PII Performance Series

Section 2 Broiler Griddle 12" - 24"

ITEM	PART #	DESCRIPTION
1	Hi Shelf Assy	Specify Model Number - S/S Or Painted
2	Stub Back Assy	Specify Model Number - S/S Or Painted
3	282168-1	Griddle Plate Assy - 24" R/H
	282168-2	Griddle Plate Assy - 24" L/H
	282168-2	Griddle Plate Assy - 12" R/H
	282168-2	Griddle Plate Assy - 12" L/H
4	282165	Radiant/Screen Assy
5	282174	Burner Assy With Bracket
6	26878XX	Burner Valve - W/O Orifice
7	M8-51	Orifice/Burner - Nat
	M8-57	Orifice/Burner - LP
8	G02716-1	Dial - (Universal) Small Shaft
	G02725-21	Dial Insert (Blank)
	2430400	Valve Extension #P40-026
9	147300	Pilot Burner - Nat
	1086597	Pilot Valve / Single - Adjustable
10	Manifold Assy	Specify Model & Serial Number
11	282024-1	Landing Ledge Assy - 24"
	282024-6	Landing Ledge Assy - 12"
12	202018-100-1	Valve Cover - R/H - 24"
	202018-100-2	Valve Cover - L/H - 24"
	202018-101-1	Valve Cover - R/H - 12"
	202018-101-2	Valve Cover - L/H - 12"
13	282177	Grease Can Assy
14	226063	Wire Rack - 12" (NLA)
	226059	Wire Rack - 24"
15	252315-1	Grease Catcher - 12" (NLA)
	252315-2	Grease Catcher - 24"
16	282176-1	Drip Pan - 12" (NLA)
	282685-2	Drip Pan -24"
17	282180-1	Front End Cap - R/H
	282180-2	Front End Cap - L/H

* NOT ILLUSTRATED

RECOMMENDED STOCK PARTS



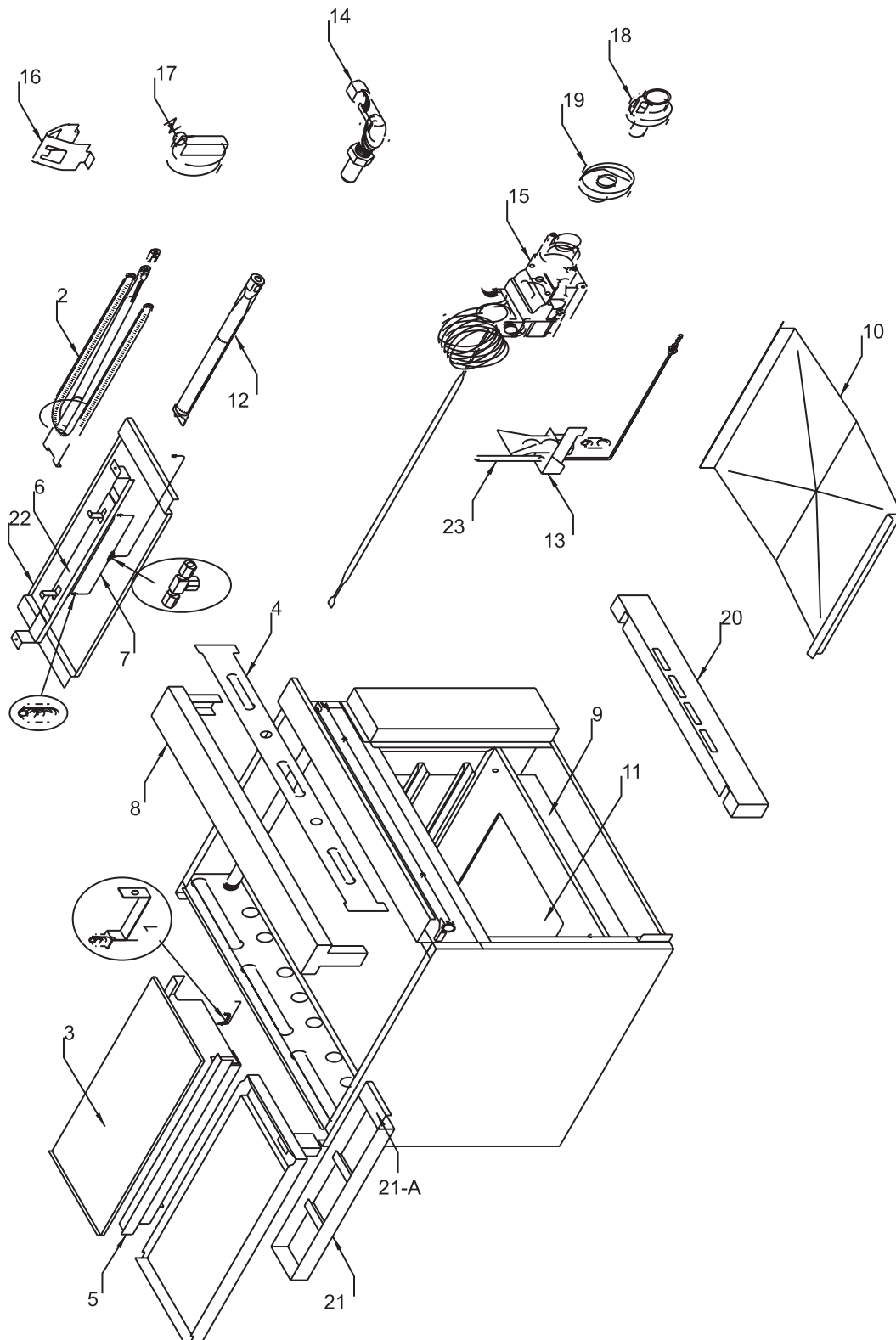
SK5043
REV.0
USR99-P2-Rst Char Broiler

US RANGE PARTS IDENTIFICATION
PII Performance Series
Section 4 Char Broiler RB-26 PMA, RB-36 PMA

ITEM	PART #	DESCRIPTION
1	222040	Top Grate - 3 Bar 3" x 21 1/4"
	222041	Top Grate - 4 Bar 3" x 21 1/4 (NLA) - Use 222040
2	222024	Cast Iron Radiant
3	222079	Burner With Support
4	223005-10	Air Shutter
5	282401-2	Fire Box Assy 24"
	282401-2	Fire Box Assy 36"
6	282032-203	Manifold Assy (RB-24-PMA)
	282032-314-3	Manifold Assy (RB-36-PMA)
	282032-314-1	Manifold Assy (P-RB-36-26)
	282032-314-2	Manifold Assy (P-RB-36-26-CP)
	Manifold Assy Consists Of Parts Below	
	26878XX	Burner Valve W/O Orifice
	G02486	Burner Orifice - Nat (Drill 50)
	M8-57	Burner Orifice - Small 57 Size
1510402	Pilot Valve / Double	
7	224271	Burner Valve Knob Black - (ON/OFF) NLA Sub G02716-2, G02725-21, 2430400
8	282417	Pilot Tubing Assy R/H
	282417	Pilot Tubing Assy L/H
9	282408-1	Landing Ledge Assy 24"
	282408-2	Landing Ledge Assy 36"
10	282018-203	Valve Cover - 24"
	282018-314	Valve Cover 36"
11	282412-1	Drip Pan-24"
	282412-2	Drip Pan- 36"
12	282410-1	Stub Back Assy - Stainless Steel - 24"
	282410-2	Stub Back Assy - Stainless Steel - 36"

* NOT ILLUSTRATED

RECOMMENDED STOCK PARTS



US RANGE PARTS IDENTIFICATION

PII Performance Series

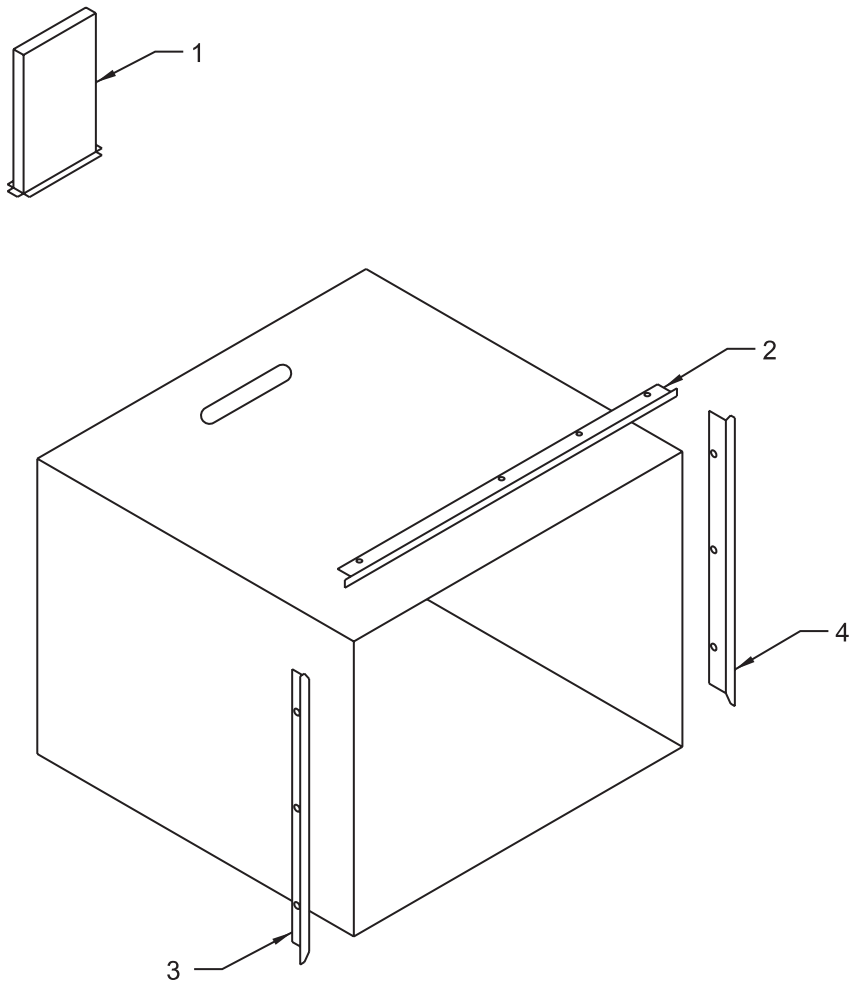
Section 5 Restaurant Oven

(For Serial Numbers Starting With "V")

ITEM	PART #	DESCRIPTION
1	282616	Pilot Tubing Assy - 1 Per Burner Griddle
2	222076	Burner - Griddle & Hot Top
	282752	Pilot Tubing Assy - Hot Top (1) Per Section
3	282754	Hot Top Plate Assy 12"
4	Valve Cover	Specify Model & Serial Number (Starting With V)
5	282753	Hot Top Frame Assy - 12"
6	282624	Open Burner Hanger Assy
7	282626	Open Burner Pilot Tubing Assy
8	282545-1	Landing Ledge Assy -24" - Top
	282545-2	Landing Ledge Assy -36" - Top
	282545-3	Landing Ledge Assy -48" - Top
	282545-4	Landing Ledge Assy -60" - Top
	282545-5	Landing Ledge Assy -72" - Top
9	282680	Oven Pilot Access Cover - 20" & 26" Oven
10	282575	Flame Spreader - 20" Oven
	282565	Flame Spreader - 26" Oven
11	282562	Oven Bottom - Porcelain - 20" Oven
	282556	Oven Bottom - Porcelain - 26" Oven
12	222163	Oven Burner W/Air Shutter NLA - See List Next Page
13	1028299	Oven Pilot Burner - Nat (Mounted On R/S Of Burner)
	1028298	Oven Oilot Burner - LP (Mounted On R/S Of Burner)
14	223000-1	Orifice Elbow - W/O Orifice Oven
15	227054	Thermostat - Oven/ Griddle W/Knob
16	224264	Capillary Bulb Clip - Oven
17	224274-3	Knob (Red) (ON/OFF) - Griddle
18	224266	Dial - Griddle TST
19	228111	Bezel / TST - Oven / Griddle
20	282566-1	Kick Plate S/S - 20" Oven
	282566-2	Kick Plate S/S - 26" Oven
	282569-1	Kick Plate Blk - 20" Oven
	282569-2	Kick Plate Blk - 26" Oven
21	282576	Grease Can Griddle
21-A	282630-1	Trim Handle
22	282636-1	Drip Pan - Open Top - 12"
	282636-2	Drip Pan - Open Top - 24"
	282636-3	Drip Pan - Open Top - 36"
23	1019418	Thermocouple

* NOT ILLUSTRATED

RECOMMENDED STOCK PARTS



SK5046
USR99-P2-Convection Oven SN5

US RANGE PARTS IDENTIFICATION

PII Performance Series

Section 7 - Convection Oven

(For Serial Numbers Starting With "V")

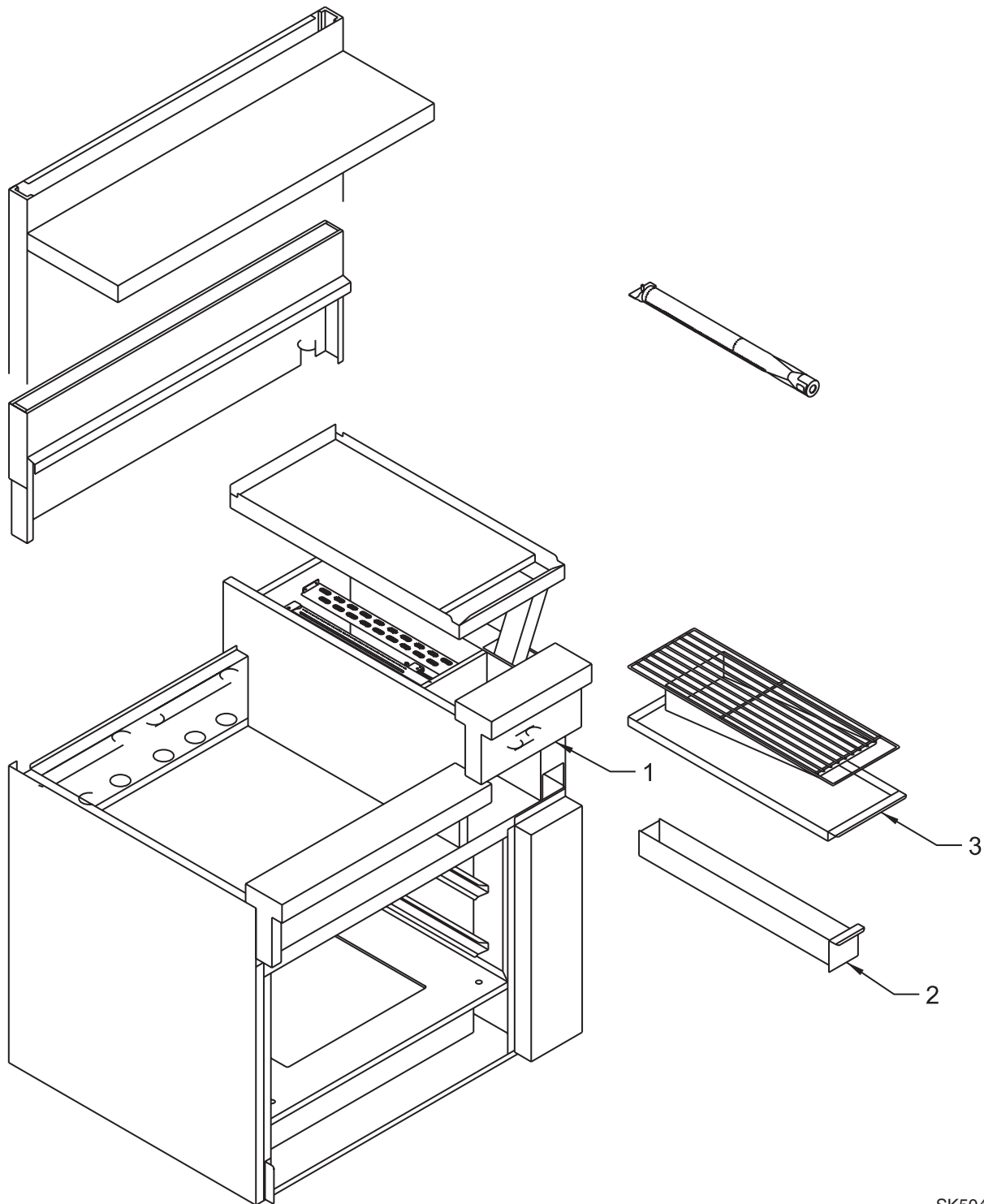
ITEM	PART #	DESCRIPTION
1	282663	Flue Assy
2	282674	Door Gasket - Top/Bottom
3	282673-1	Door Gasket / Side - L/H
4	282673-2	Door Gasket / Side - R/H
5*	227119	Solenoid Valve (NLA)
6*	282661	Solenoid Valve Bracket
7*	282662	Spark Module Bracket
8*	225264	Capillary Bulb Holder
9*	282676-1	Door Switch Bracket - L/H - 36" & 72"
	282676-2	Door Switch Bracket - R/H - 36" & 72"
10*	282659	Front Panel
11*	229138	Wiring Diagram - 48" -36" -60" -72"

For All Other Parts, Refer To Section 1 through Section 4

Ranger Parts - RGR - Takes Same Parts As Section 2 Except the Following:		
	G02716-6 & 1314141	Oven Knob
	227213	Oven Control
	227214	Oven Safety
	227215	Oven Pilot
	282565	Oven Flame Spreader
	224272	Oven Burner Valve Knob

* NOT ILLUSTRATED

RECOMMENDED STOCK PARTS



SK5045
REV. 0
USR99-P2-Rst Broiler Griddle 12-14V

US RANGE PARTS IDENTIFICATION

PII Performance Series

Section 6 - Broiler Griddle 12" - 24"

(For Serial Numbers Starting With "V")

ITEM	PART #	DESCRIPTION
1	282491-100-1	Valve Cover - R/H - 12"
	282491-100-2	Valve Cover - L/H - 12"
	282491-101-1	Valve Cover - R/H - 24"
	282491-101-2	Valve Cover - L/H - 24"
2	282446	Grease Catcher - 12"
	282446-1	Grease Catcher - 24"
3	282684-1	Drip Pan - 12"
	282684-2	Drip Pan - 24"

* NOT ILLUSTRATED

RECOMMENDED STOCK PARTS

US RANGE PARTS IDENTIFICATION

PII Performance Series

Plates

U.S. Range Griddle Plates - Performer Series (Valve Control)	
PART#	DESCRIPTION
282611-1	Griddle Plate 12"
282611-2	Griddle Plate 24"
282611-3	Griddle Plate 36"
282611-4	Griddle Plate 48"
282611-5	Griddle Plate 60"
282611-6	Griddle Plate 72"
U.S. Range Griddle Plates - Performer Series (T-Stat Control)	
PART#	DESCRIPTION
282634-1	Griddle Plate 12"
282634-2	Griddle Plate 24"
282634-3	Griddle Plate 36"
282634-4	Griddle Plate 48"
282634-5	Griddle Plate 60"
282634-6	Griddle Plate 72"
U.S. Range Griddle Plates - Performer Series (Valve &T-Stat Control)	
PART#	DESCRIPTION
251490-3	Griddle Plate 18"
251490-2	Griddle Plate 24"
251490-1	Griddle Plate 36"

* NOT ILLUSTRATED

RECOMMENDED STOCK PARTS

NOTES

NOTES

NOTES

 **U.S. Range**