



U Series Gas Ranges

models **U24 / U36 / U48 / U60**

PARTS LIST

P (US & Canada): 1 800 427 6668

F (US & Canada): 1 800 361 7745

www.Garland-Group.com

Quality Factory Replacement Parts for the World's Finest Foodservice Equipment Solutions

This parts list is updated regularly. Please find the most current revision
on our website @ www.Garland-Group.com



U Series Gas Ranges

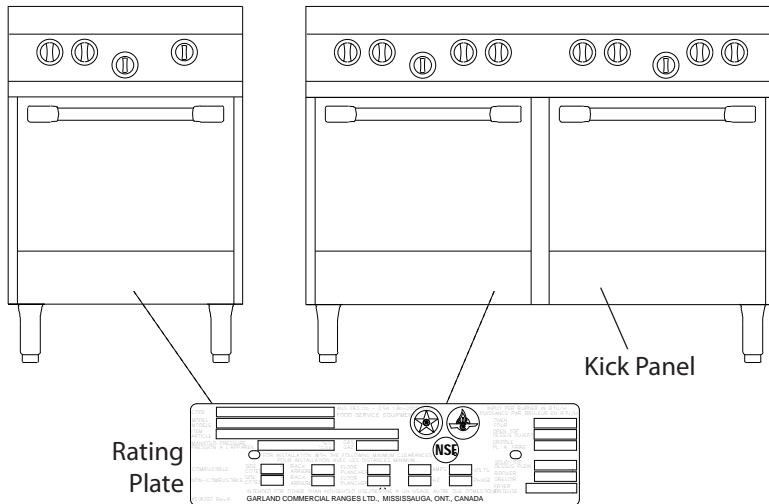
models **U24 / U36 / U48 / U60**

Table of Contents

| | |
|--|----|
| Rating Plate Location / Model Code & Serial# Interpretation..... | 5 |
| Oven Section Components - 24" Single Space Saver Oven / Cabinet Door | 6 |
| Oven Section Components - 36" Single Standard Oven / Cabinet Door | 12 |
| Oven Section Components - 36" Single Convection Oven | 18 |
| Oven Section Components - 48" Single Standard Oven & Cabinet Door..... | 24 |
| Oven Section Components - 48" Single Convection Oven & Cabinet Door | 30 |
| Oven Section Components - 48" Double Space Saver Ovens | 38 |
| Oven Section Components - 60" Single or Double Standard Oven(s) / Cabinet Door | 44 |
| Oven Section Components - 60" Single or Double Convection Oven(s) / Cabinet Door | 52 |
| Range Top Section Components - Open Top Burners..... | 60 |
| Range Top Section Components - Hi/Low Griddle..... | 62 |
| Range Top Section Components - Raised Griddle Broiler..... | 66 |
| Range Top Section Components - Thermostat Griddle | 70 |
| Range Top Section Components - Hot Top..... | 74 |
| High Shelf & Low Profile Back Guard Components | 76 |
| Critical & Recommended Stock Parts List | 78 |
| List of Wiring Diagrams, Manuals & Gas Conversion Kits..... | 79 |
| Revision History | 79 |

Blank Page

Rating Plate Location



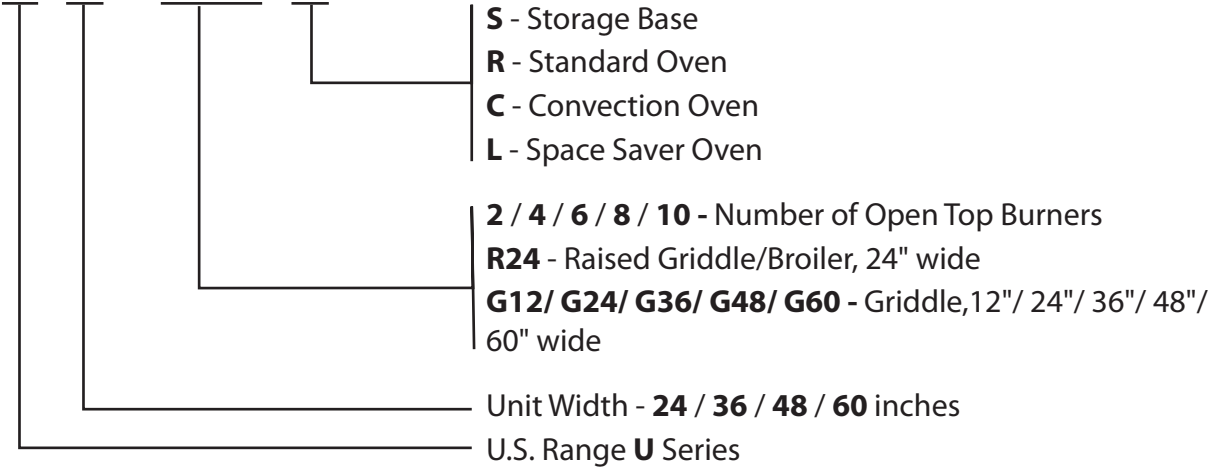
The Rating Plate (Product Identification Plate) is affixed to the front edge of the chassis bottom, behind the front kick panel.

For a double-oven model, the plate can be found behind the kick panel on the LEFT oven.

Model Code Interpretation

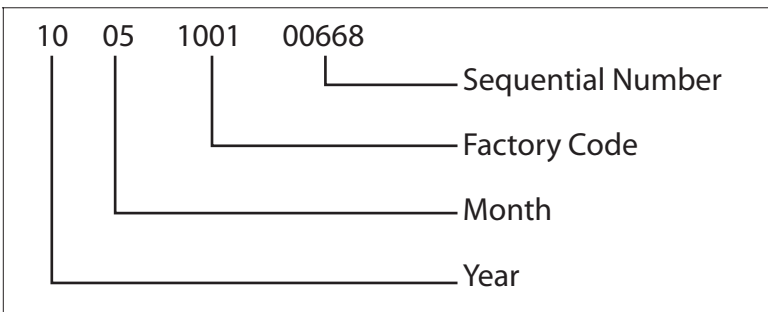
The model configuration code can be found on the unit's rating plate. See "Rating Plate Location".

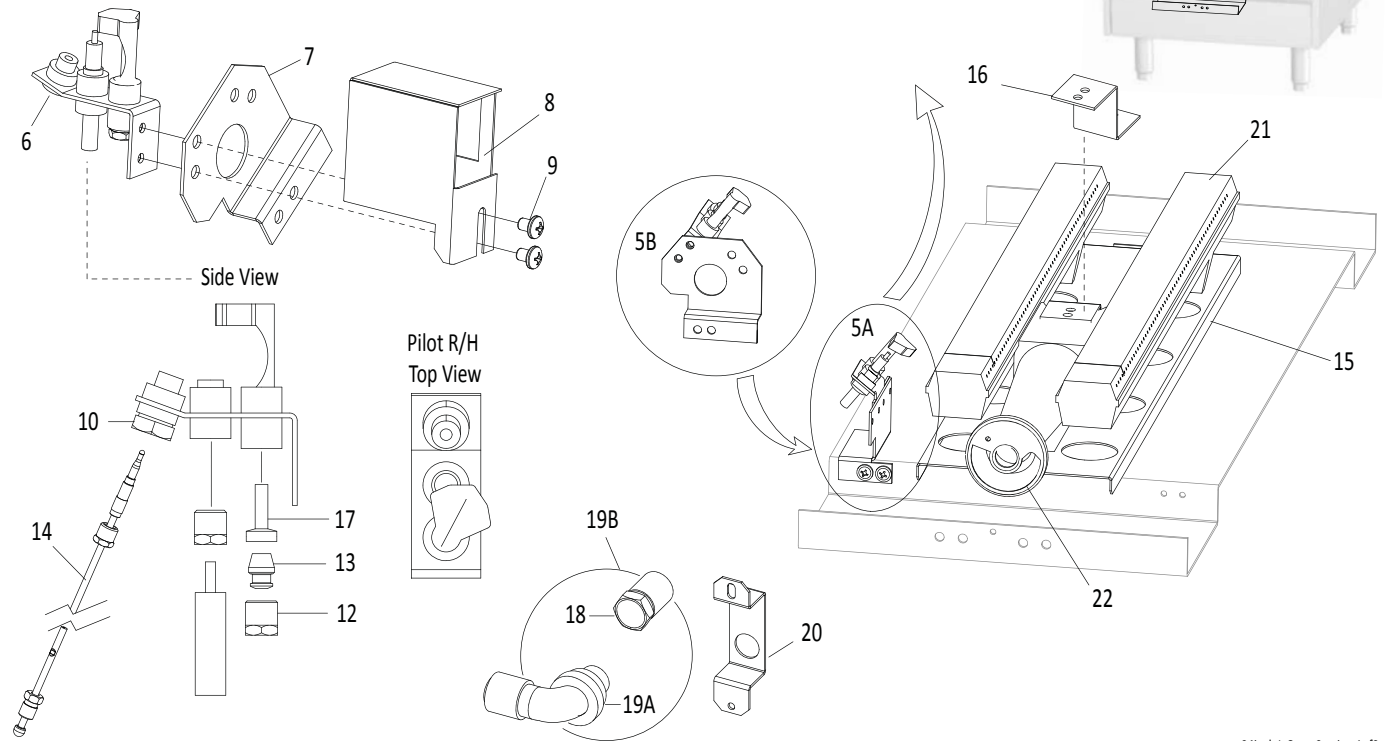
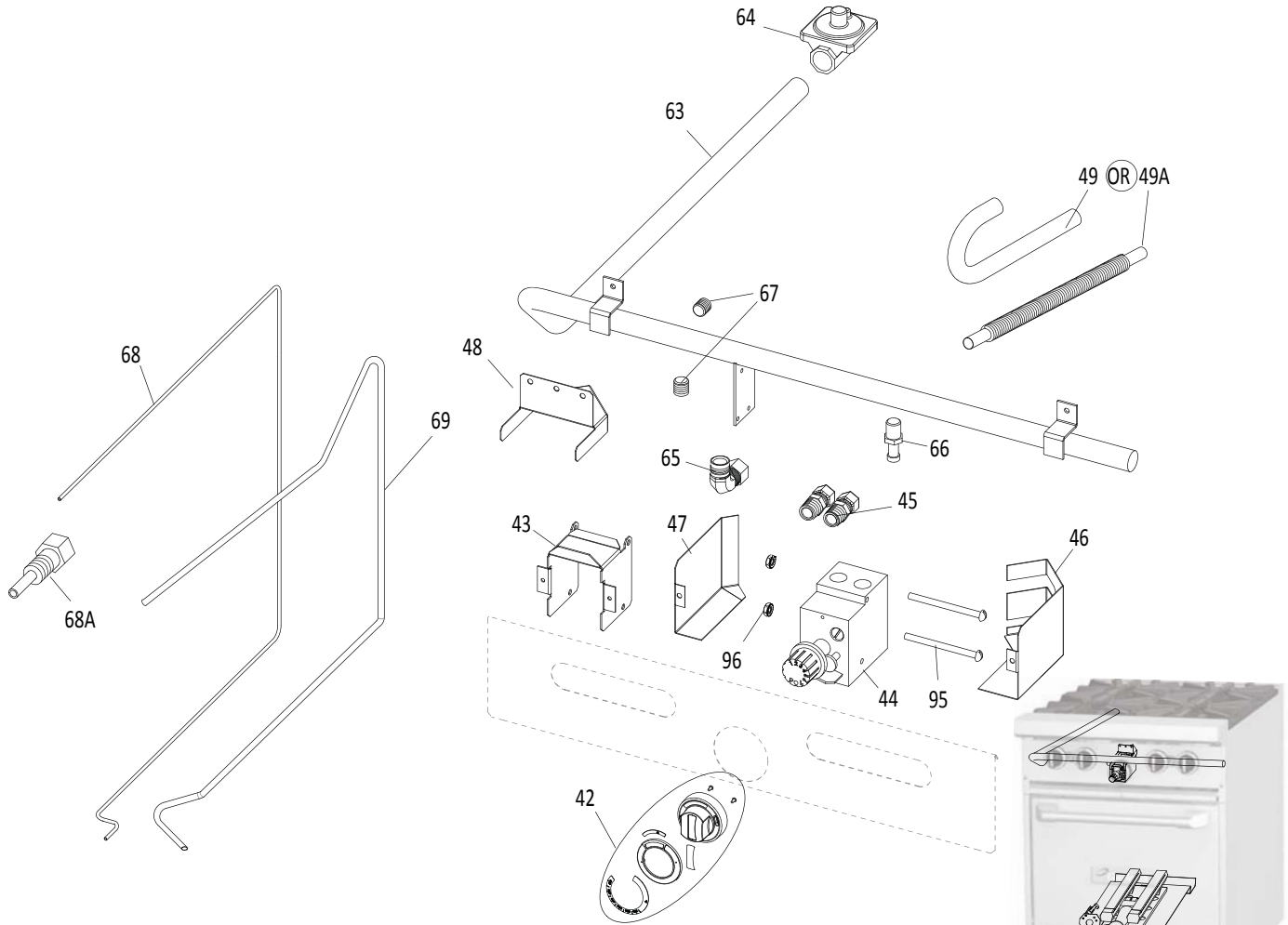
U 48 - 6 G12 LL



Serial# - Year/Month Information

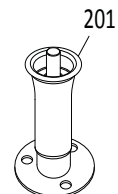
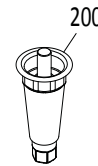
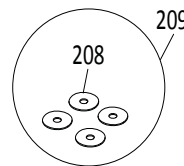
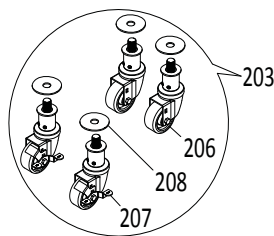
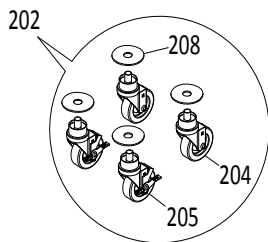
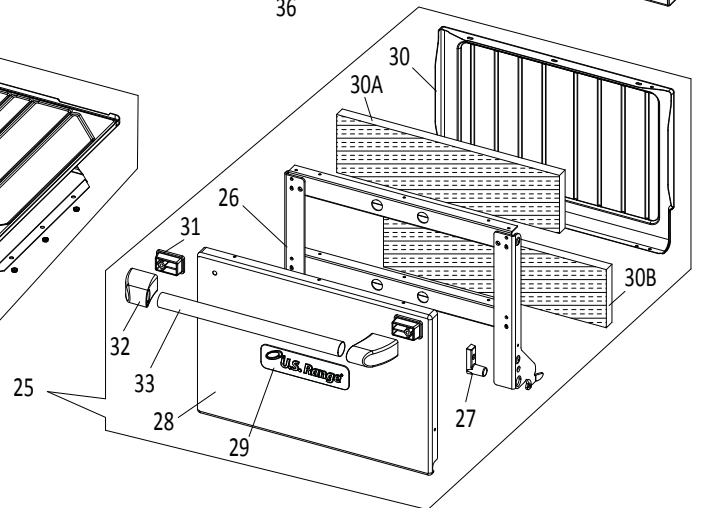
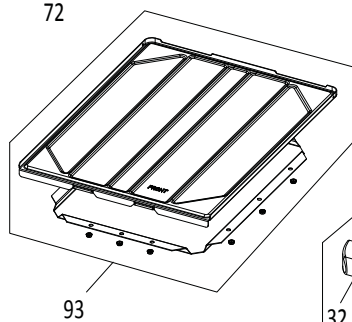
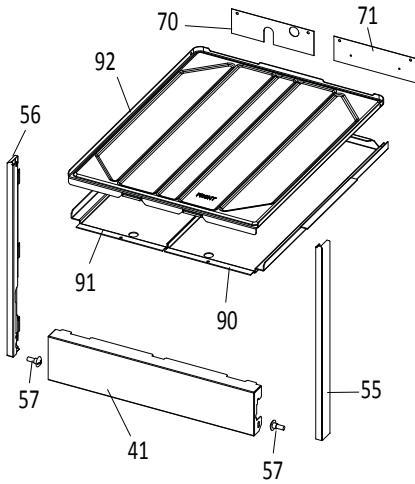
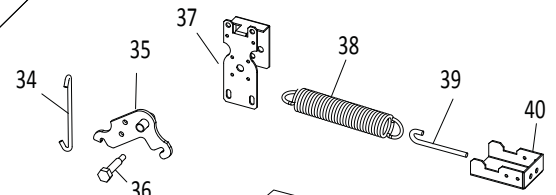
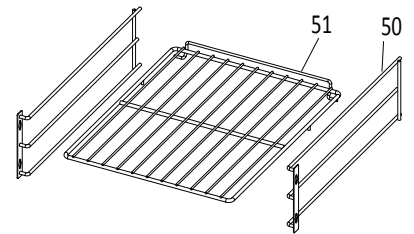
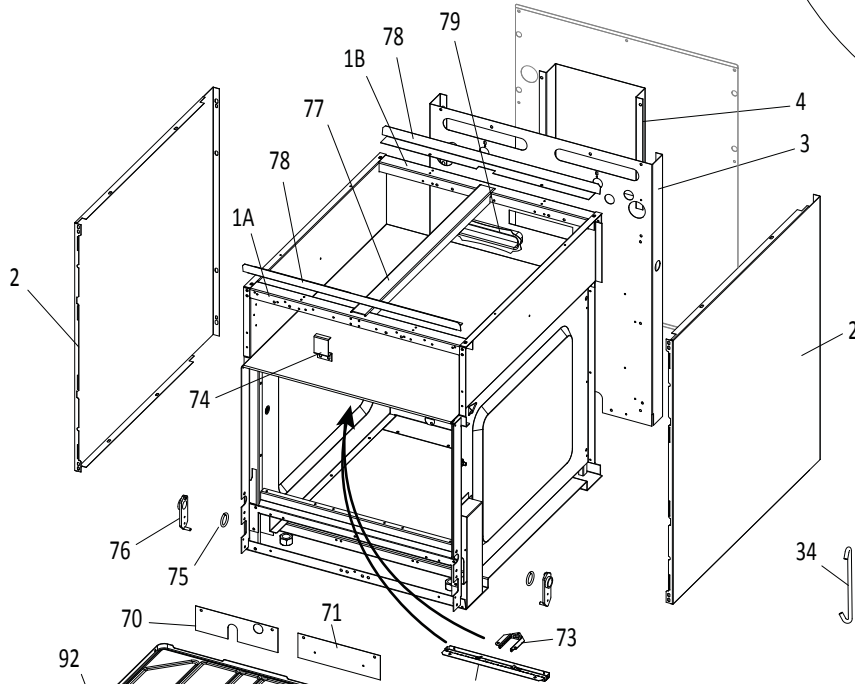
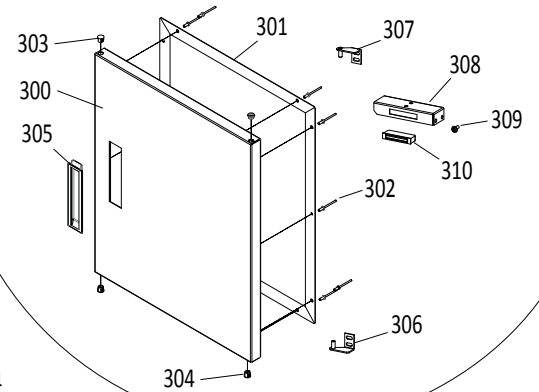
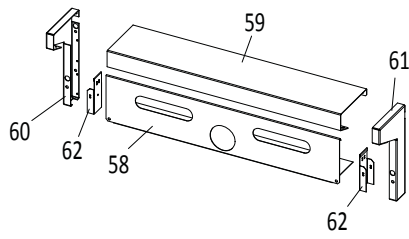
The serial number is **13 Digits long** and is stamped on the rating plate. See "Rating Plate Location".





U Series Gas Restaurant Ranges

24" SINGLE SPACE SAVER OVEN / CABINET DOOR (2 OF 2)



24inch L Oven Section 2of2

U.S. RANGE PARTS IDENTIFICATION

U Series Gas Restaurant Ranges

24" SINGLE SPACE SAVER OVEN / CABINET DOOR COMPONENTS

| ITEM | PART# | DESCRIPTION | QTY | FROM | UP TO | CRITICAL |
|------|-----------------|--|-----|-----------|-----------|----------|
| 1A | 4523184 | 24" Main Channel Front | 1 | | | |
| 1B | 4525529 | 24" Main Channel Rear | 1 | | | |
| 2 | 4522764 | Body Side Lt/Rt | 2 | | | |
| 3 | 4523041 | Main Back 24" Oven | 1 | | | |
| 4 | 4522762 | Flue Riser Std Oven | 1 | | | |
| 5A | | Pilot Assembly and Pilot Bracket Note: Used UP TO (date) Jan 29, 2008 / (serial#) 0801100101981. When servicing, IMPORTANT to replace both pilot assembly and bracket with the Range Oven Pilot Kit (item 5b). | | | 29-JAN-08 | |
| 5B | 4524826 | Range Oven Pilot Kit Natural Gas, on L/H Side of Burner | 1 | 30-JAN-08 | | C |
| | 4524828 | Range Oven Pilot Kit Propane Gas, on L/H Side of Burner | 1 | 30-JAN-08 | | C |
| 6 | 2200700 | Pilot R/H #0.145.010 (Mounted on L/H Side of Burner) Note: Used FROM (date) 30-Jan-08 / (serial#) 0801100101981. | 1 | 30-JAN-08 | | C |
| 7 | 4524677 | Pilot Bracket Note: Used FROM (date) 30-Jan-08 / (serial#) 0801100101981. | 1 | 30-JAN-08 | | |
| 8 | 4525285 | Oven Pilot Shield L/H for 2200700 Pilot R/H Note: Used FROM (date) 12-Jun-08 / (serial#) 0806100100492. | 1 | 12-JUN-08 | | |
| 9 | F440 | #10 - 32 x 1/4" Screw | 3 | | | |
| 10 | 2200706 | Thermocouple Retaining Nut | 1 | | | C |
| 12 | 2200704 | 3/16" Compression Nut - Oven Pilot | 1 | | | C |
| 13 | 2200705 | 3/16" Ferrule - Oven Pilot | 1 | | | C |
| 14 | 4523506 | Thermocouple Oven 60" | 1 | | | C |
| 15 | 4522763 | Oven Burner Rest | 1 | | | |
| 16 | 2512200 | Burner Hold Down Bracket | 1 | | | |
| 17 | 2200702 | Pilot Orifice #32 Natural Gas | 1 | | | C |
| | 2200703 | Pilot Orifice #23 Propane | 1 | | | C |
| 18 | M9-33 | Large Orifice # 33 Natural Gas | 1 | | | C |
| | M9-51 | Large Orifice # 51 Propane | 1 | | | C |
| 19A | 14155XX | Oven Orifice Fitting (without orifice) | 1 | | | C |
| 19B | 1415533F | Oven Orifice Fitting with #33 Hood (Natural) | 1 | | | C |
| | 1415551F | Oven Orifice Fitting with #51 Hood (Propane) | 1 | | | C |
| 20 | 4522781 | Orifice Bracket - Oven | 1 | | | |
| 21 | 4525464 | H - Burner with Air Shutter Assembly (Partially Ported) Note: Assembly includes a cast iron H-burner (p/n 1014901) and an air shutter (item 22). | 1 | | | |
| 22 | 2512100 | Oven Burner Air Shutter | 1 | | | |
| 25 | 4525153 | US Range 20W Oven Door Assembly | 1 | | | |
| 26 | 4523125 | Door Frame Assembly 20W | 1 | | | |
| 27 | 1082500 | Oven Door Trunion | 2 | | | |
| 28 | 4522738 | Oven Door Panel 20W (with holes) | 1 | | | |
| 29 | 4529726 | US Range Logo | 1 | | | |
| 30 | 4522378 | Oven Door Liner 20W | 1 | | | |
| 30A | 4522791 | Insulation Door Filler 20W | 2 | | | |
| 30B | 4522790 | Insulation Door Brace 20W | 2 | | | |
| 31 | 4522407 | Door Handle End Insulator | 2 | | | |
| 32A | 4522404 | Door Handle End | 2 | 9-SEP-09 | | |

* NOT ILLUSTRATED

RECOMMENDED STOCK PARTS

**U.S. RANGE PARTS IDENTIFICATION
U Series Gas Restaurant Ranges**

24" SINGLE SPACE SAVER OVEN / CABINET DOOR COMPONENTS

| ITEM | PART# | DESCRIPTION | QTY | FROM | UP TO | CRITICAL |
|------|----------------|--|-----|-----------|-------|----------|
| 32B* | 4525585 | Door Handle Kit 20W US Range Oven Note: Use this Kit for units manufactured from 21-NOV-2008 to 8-SEP-2009. Kit includes items 31, 32A, 33, and fasteners. | 1 | | | |
| 32C* | 4524912 | Door Handle End, Aluminum, US Range Note: This item is No Longer Available . Use Handle Kit 4525585 (item 32B) for an unit manufactured from (dates) 21-NOV-2008 to 8-SEP-2009 (serial#) 0811100101067 (model) U36-6C-0004. | | NLA | NLA | |
| 33 | 4522645 | Door Handle 24" 1.250 dia. | 1 | | | |
| 34 | 1082802 | Hinge Link Rt | 1 | | | C |
| 35 | 4522772 | Bell Crank Assembly | 1 | | | |
| 36 | F299 | Bolt 1/4-20x1/2" Bell Crank | 1 | | | |
| 37 | 4522818 | Bell Crank Support Bracket | 1 | | | |
| 38 | 1005800 | Oven Door Spring | 1 | | | C |
| 39 | 9004701 | Oven Door Spring Hook | 1 | | | |
| 40 | 4523654 | Spring Support Bracket (20W Door) | 1 | | | |
| 41 | 4523039 | Kick Panel 20W | 1 | | | |
| 42 | 4524668 | Knob Assembly - Oven SIT, deg. F | 1 | | | C |
| | 4524669 | Knob Assembly - Oven SIT, deg. C | 1 | | | C |
| 43 | 4523081 | ES Shield Mount | 1 | | | |
| 44 | 4523006 | SIT Oven Control | 1 | | | C |
| 45 | 1095499 | Straight Connector 7/16 | 2 | | | |
| 46 | 4523079 | ES Shield Rt | 1 | | | |
| 47 | 4523080 | SIT Lt Shield | 1 | | | |
| 48 | 4523499 | SIT Top Shield | 1 | | | |
| 49 | 4523145 | Tube - Sit To Manifold | 1 | | | |
| 49A | 4520720 | 7/16" Flexible Tubing Sit To Manifold NOTE: Applicable Only for Models with 12"Griddles Mounted on the L/H Side of the Range. | 1 | | | |
| 50 | 4522411 | Rack Guide 26D | 2 | | | |
| 51 | 4522410 | Oven Rack 20W x 26D | 1 | | | |
| 55 | 4522991 | Corner Column Rt 24" | 1 | | | |
| 56 | 4522990 | Corner Column Lt 24" | 1 | | | |
| 57 | F298N | Bolt, #10-24 x 3/8" Shoulder Truss HD, Nickel Plated | 2 | | | |
| 58 | 4523199 | 24" Valve Panel - All (4) Open Top Burners | 1 | | | |
| | 4524339 | 24" Valve Panel - 12" Griddle (Thermostat) - R/H | 1 | | | |
| | | 24" Valve Panel - 12" Griddle (Standard, HI-LO Valve) - R/H Note: Switched from 4523199 to 4524339 (date: 02-Dec-09, serial#: 0911100101162, model: G60-6G24RR-0002) | 1 | 02-DEC-09 | | |
| | 4524340 | 24" Valve Panel - 12" Griddle (Thermostat) - L/H | 1 | | | |
| | | 24" Valve Panel - 12" Griddle (Standard, HI-LO Valve) - L/H Note: Switched from 4523199 to 4524340 (date: 02-Dec-09, serial#: 0911100101162, model: G60-6G24RR-0002) | 1 | 02-DEC-09 | | |
| | 4523621 | 24" Valve Panel - 24" Griddle (Thermostat) 24" Valve Panel - 24" Griddle (Standard) Note: Switched from 4523620 to 4523621 (date: 02-Dec-09, serial#: 0911100101162, model: G60-6G24RR-0002) | 1 | 02-DEC-09 | | |
| 59 | 4523196 | 24" Plate Rail | 1 | | | |
| 60 | 4523073 | Valve Panel End Cap - Left | 1 | | | |

* NOT ILLUSTRATED

RECOMMENDED STOCK PARTS

**U.S. RANGE PARTS IDENTIFICATION
U Series Gas Restaurant Ranges**

24" SINGLE SPACE SAVER OVEN / CABINET DOOR COMPONENTS

| ITEM | PART# | DESCRIPTION | QTY | FROM | UP TO | CRITICAL |
|------|----------------|---|-----|-----------|-----------|----------|
| 61 | 4523074 | Valve Panel End Cap - Right | 1 | | | |
| 62 | 4526110 | Burner Box Filler | 2 | | | |
| 63 | 4522561 | Manifold Assembly - 24" (without Fittings) | 1 | | | C |
| 64 | 2127502 | Regulator - Natural Gas 4.5" WC | 1 | | | C |
| | 2127500 | Regulator - Propane Gas 10" WC | 1 | | | C |
| 65 | 4529768 | 90 deg Elbow Fitting,7/16CC to 3/8NPT | 1 | | | |
| 66 | G02251-1 | Pressure Test Spigot | 1 | | | |
| 67 | 2203400 | 1/8" NPT Pipe Plug | 2 | | | |
| 68 | 4523142 | .187 (3/16) Dia Tubing - SIT Valve to Oven Pilot | 1 | | | |
| 68A | 4527220 | SIT Pilot Tube Connection | 1 | | | |
| 69 | 4530485 | .437 (7/16) Dia Tubing - SIT Valve to Oven Orifice Fitting | 1 | | | |
| 70 | 4523043 | Air Shield Pilot 20W | 1 | | | |
| 71 | 4523042 | Air Shield Solid 20W | 1 | | | |
| 72 | 4523052 | Capillary Guard 20W Standard Oven | 1 | | | |
| 73 | 4523030 | Bulb Guard Standard Oven | 1 | | | |
| 74 | 4523194 | Rail Support Bracket | 1 | | | |
| 75 | 1082700 | Harness Ring, Nickel Plated | 2 | | | |
| 76 | 4522400 | Trunion Bracket | 2 | | | |
| 77 | 4523087 | Grate Support Rail | 1 | | | |
| 78 | 4523186 | 24" Drip Angle | 2 | | | |
| 79 | 1005110 | Flue Collar - Aluminized | 1 | | | |
| 90 | 4525084 | Baffle Pan 20W Right | 1 | 3-MAY-08 | 12-SEP-08 | |
| | 4525552 | Baffle Pan Right Hand 20W Used FROM S/N 0809100100283 | 1 | 12-SEP-08 | | |
| 91 | 4525085 | Baffle Pan 20W Left | 1 | 3-MAY-08 | 12-SEP-08 | |
| | 4525551 | Baffle Pan Left Hand 20W Used FROM S/N 0809100100283 | 1 | 12-SEP-08 | | |
| 92 | 4522384 | Oven Hearth 20W x 26D - Enamelled | 1 | 3-MAY-08 | | |
| 93 | 4523053 | Oven Hearth Assembly 20W x 26D Note: Used UP TO serial# 0804100101527 / date 2-May-08. Assembly includes an oven hearth with studs (p/n 4523326), an oven hearth baffle (p/n 4523054), and pal nuts (p/n F95). Components listed for reference only; not sold separately. | 1 | | 2-MAY-08 | |
| 95 | F16 | SIT to Manifold Mounting Bolts (#10-24 x 2-1/2", Round Head, Slot Drive) | 2 | | | |
| 96 | F312 | SIT to Manifold Mounting Lock Nut (#10-24, K-Lock Nut) | 2 | | | |

* NOT ILLUSTRATED

RECOMMENDED STOCK PARTS

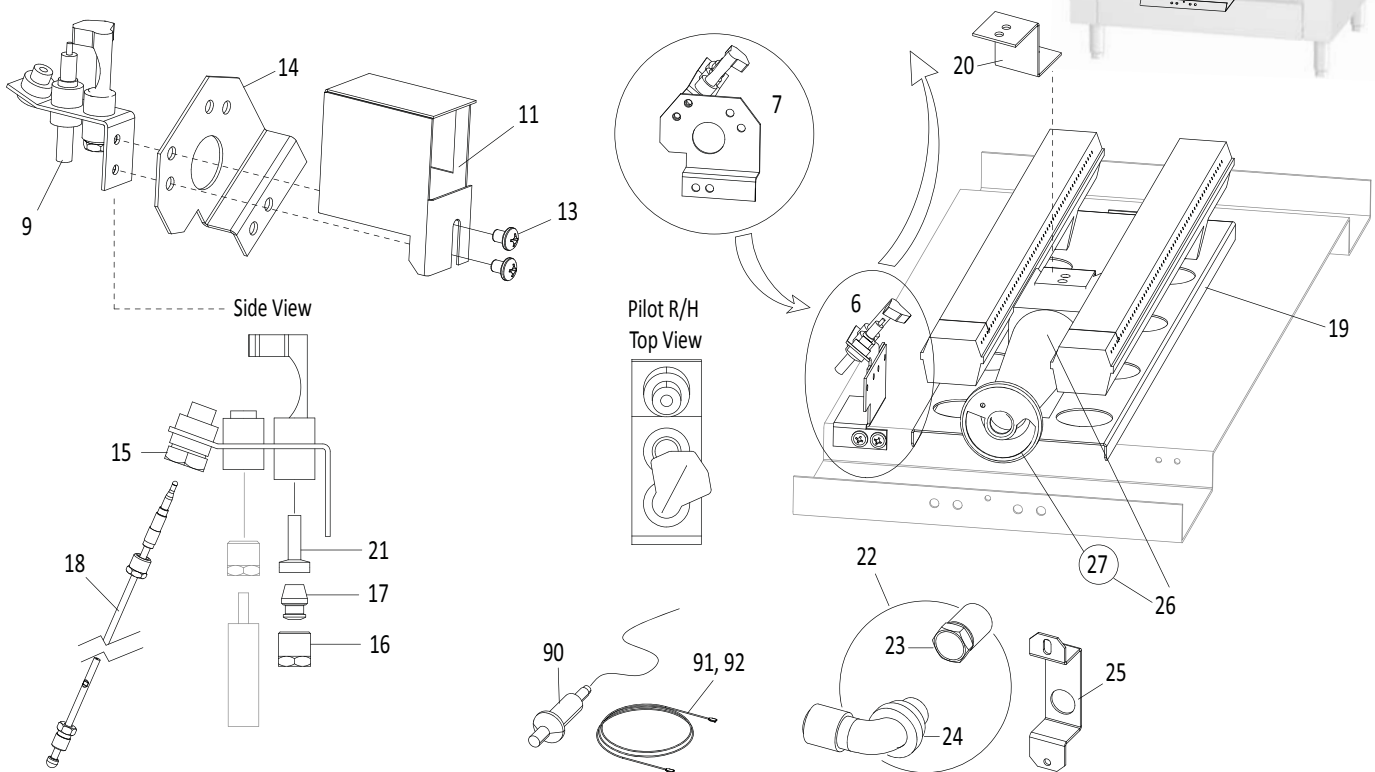
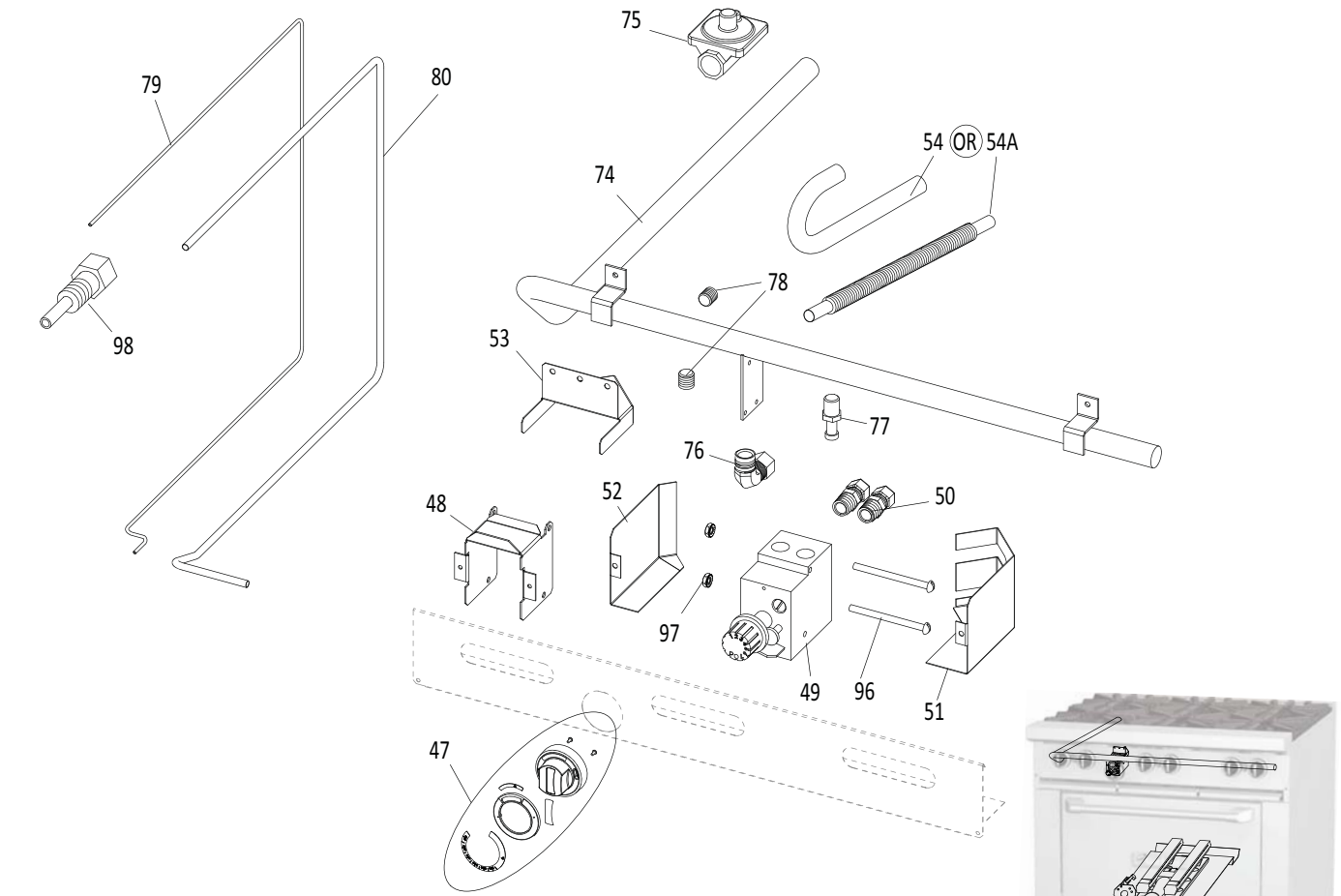
U.S. RANGE PARTS IDENTIFICATION
U Series Gas Restaurant Ranges

24" SINGLE SPACE SAVER OVEN / CABINET DOOR COMPONENTS

| ITEM | PART# | DESCRIPTION | QTY | FROM | UP TO | CRITICAL |
|---|----------|---|-----|-----------|-------|----------|
| LEGS & CASTERS | | | | | | |
| 200 | 4525074 | 6" Adjustable Leg, S/S | 4 | | | |
| 201 | 4524104 | 6" Flanged Leg (Optional) | 4 | | | |
| 202 | 4526324 | 6" Caster Package, non-adjustable (Optional) Note: Includes items 204, 205, 208, and installation instructions. | 1 | | | |
| 203 | 4526323 | 6" Caster Package, adjustable (Optional) Note: Includes items 206, 207, 208, and installation instructions. | 1 | | | |
| 204 | 4522417 | 6" Caster No Brake, 3/4-10 mount, non-adjustable | 2 | | | |
| 205 | 4522916 | 6" Caster With Brake, 3/4-10 mount, non-adjustable | 2 | | | |
| 206 | 4525597 | 6" Caster No Brake, 3/4-10 mount, adjustable | 2 | | | |
| 207 | 4525598 | 6" Caster With Brake, 3/4-10 mount, adjustable | 2 | | | |
| 208 | 4526157 | Caster Washer Note: Used FROM serial#: 0901100100838 / date: 20-Jan-09. | 4 | 20-JAN-09 | | |
| 209 | 4526325 | Caster Washer Kit | 1 | | | |
| DOOR COMPONENTS - 24" STORAGE BASE MODEL | | | | | | |
| 300 | 4524305 | Door Panel Outer - 24", Standard Base | 1 | | | |
| 301 | 4524306 | Door Panel Inner - 24", Standard Base | 1 | | | |
| 302 | F557 | 5/32" Rivet - S/S (Grip Range .039" - .118") | 12 | | | |
| 303 | 078056-5 | Flange Bearing/Bushing | 2 | | | |
| 304 | 2530900 | 0.375" Hole Plug | 2 | | | |
| 305 | 3031900 | Storage Door Handle | 1 | | | |
| 306 | 4524288 | Door Hinge Assembly - Right | 1 | | | |
| 307 | 4524287 | Door Hinge Assembly - Left | 1 | | | |
| 308 | 4524308 | Door Stop - 15"/24" Door, Standard Base | 1 | | | |
| 309 | F60 | Screw-10AX 5/8INTLock Quad Pan | 8 | | | |
| 310 | 078174-1 | Magnetic Door Catch | 1 | | | |

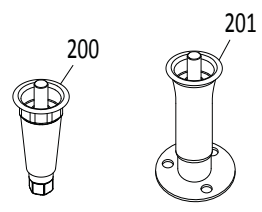
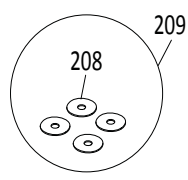
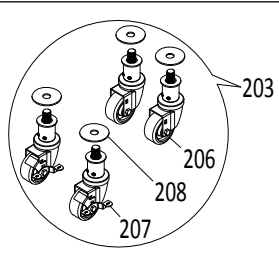
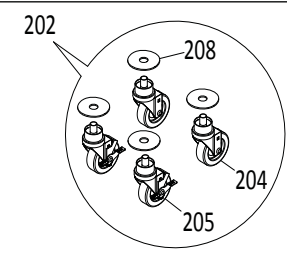
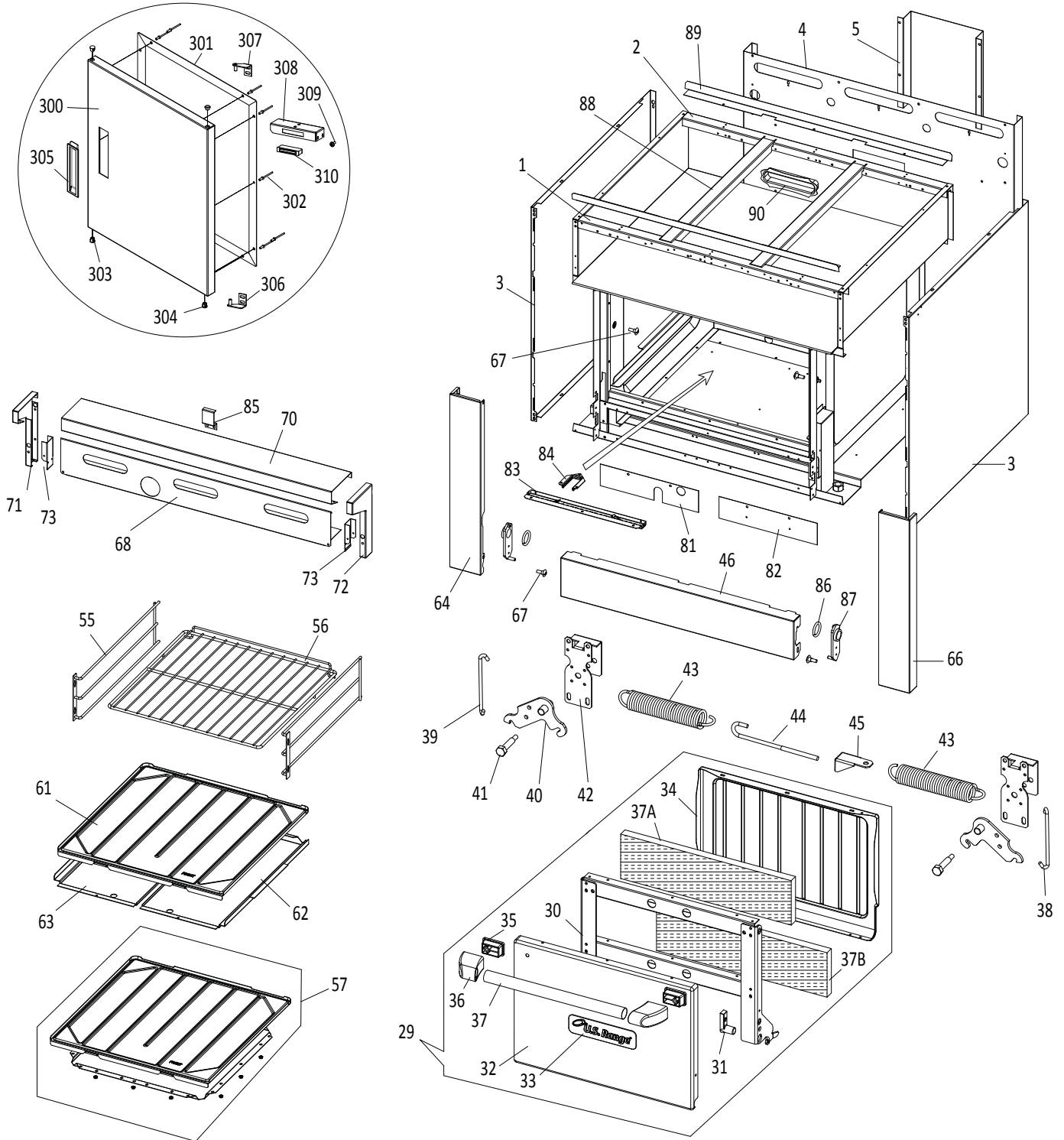
* NOT ILLUSTRATED

RECOMMENDED STOCK PARTS



U Series Gas Restaurant Ranges

36" SINGLE STANDARD OVEN / CABINET DOOR (2 OF 2)



36inch R Oven Section 2of2

**U.S. RANGE PARTS IDENTIFICATION
U Series Gas Restaurant Ranges**

36" SINGLE STANDARD OVEN / CABINET DOOR COMPONENTS

| ITEM | PART # | DESCRIPTION | QTY | FROM | UP TO | CRITICAL |
|------|-----------------|---|-----|-----------|-----------|----------|
| 1 | 4523068 | 24" Main Channel - Front | 2 | | | |
| 2 | 4525530 | 24" Main Channel - Rear | 2 | | | |
| 3 | 4522764 | Body Side Lt/Rt | 2 | | | |
| 4 | 4522761 | Main Back 48" - Standard Oven & Storage | 1 | | | |
| 5 | 4522762 | Flue Riser Standard Oven | 2 | | | |
| 6 | | Right Pilot Assembly and Right Pilot Bracket Note: Used UP TO (date) Jan 29, 2008 / (serial#) 0801100101981. When servicing, IMPORTANT to replace the pilot assembly and bracket with Range Oven Pilot Kits (see item 7). | | | 29-JAN-08 | |
| 7 | 4524826 | Range Oven Pilot Kit Natural Gas, on L/H Side of Burner (for the oven on the Left) | 1 | 30-JAN-08 | | C |
| | 4524828 | Range Oven Pilot Kit Propane Gas, on L/H Side of Burner (for the oven on the Left) | 1 | 30-JAN-08 | | C |
| 9 | 2200700 | Pilot R/H #0.145.010, for Oven on the Left (Mounted on L/H Side of Burner) | 1 | | | C |
| 11 | 4525285 | Oven Pilot Shield L/H, for 2200700 Pilot R/H Note: Used FROM (serial#) 0806100100492 / (model) G36-6R-0022. | 1 | 12-JUN-08 | | |
| 13 | F440 | #10-32 x 1/4" Screw | | | | |
| 14 | 4524677 | Pilot Bracket Note: Used FROM (serial#) 0801100101981. | 1 | 30-JAN-08 | | |
| 15 | 2200706 | Thermocouple Retaining Nut | 1 | | | C |
| 16 | 2200704 | 3/16" Compression Nut - Oven Pilot | 1 | | | C |
| 17 | 2200705 | 3/16" Ferrule - Oven Pilot | 1 | | | C |
| 18 | 4523506 | Thermocouple Oven 60" | 1 | | | C |
| 19 | 4522763 | Oven Burner Rest | 1 | | | |
| 20 | 2512200 | Burner Hold Down Bracket | 1 | | | |
| 21 | 2200702 | Pilot Orifice #32 Natural Gas | 1 | | | C |
| | 2200703 | Pilot Orifice #23 Propane | 1 | | | C |
| 22 | 1415530F | Oven Orifice Fitting w/#30 Hood (Natural Gas) | 1 | | | C |
| | 1415550F | Oven Orifice Fitting w/#50 Hood (Propane) | 1 | | | C |
| 23 | M9-30 | Large Orifice #30 Natural Gas | 1 | | | C |
| | M9-50 | Large Orifice #50 Propane | 1 | | | C |
| 24 | 14155XX | Oven Orifice Fitting (without orifice) | 1 | | | C |
| 25 | 4522781 | Orifice Bracket Oven | 1 | | | |
| 26 | 4525464 | H - Burner with Air Shutter Assembly (Partially Ported) Note: Assembly includes a cast iron H-burner (p/n 1014901) and an air shutter (item 27). | 1 | | | |
| 27 | 2512100 | Oven Burner Air Shutter (included in burner asm item# 26) | 1 | | | |
| 29 | 4525052 | US Range 26W Oven Door Assembly | 1 | | | |
| 30 | 4522769 | Door Frame Assembly 26W | 1 | | | |
| 31 | 1082500 | Oven Door Trunion | 2 | | | |
| 32 | 4522737 | Oven Door Panel 26W (with holes) | 1 | | | |
| 33 | 4529726 | US Range Logo - Large | 1 | | | |
| 34 | 4522377 | Oven Door Liner 26W | 1 | | | |
| 35 | 4522407 | Door Handle End Insulator | 2 | | | |
| 36A | 4522404 | Door Handle End | 2 | 9-SEP-09 | | |

* NOT ILLUSTRATED

RECOMMENDED STOCK PARTS

**U.S. RANGE PARTS IDENTIFICATION
U Series Gas Restaurant Ranges**

36" SINGLE STANDARD OVEN / CABINET DOOR COMPONENTS

| ITEM | PART # | DESCRIPTION | QTY | FROM | UP TO | CRITICAL |
|------|----------------|--|-----|-----------|-----------|----------|
| 36B* | 4525584 | Door Handle Kit 26W US Range Oven Note: Use this Kit for units manufactured from 21-NOV-2008 to 8-SEP-2009. Kit includes items 35, 36A, 37, and fasteners. | 1 | | | |
| 36C* | 4524912 | Door Handle End, Aluminum, US Range Note: This item is No Longer Available . Use Handle Kit 4525584 (item 36B) for an unit manufactured from (dates) 21-NOV-2008 to 8-SEP-2009 (serial#) 0811100101067 (model) U36-6C-0004. | | NLA | NLA | |
| 37 | 4522644 | Door Handle, 26W | 1 | | | |
| 37A | 4522789 | Insulation, Door Filler 26W | 2 | | | |
| 37B | 4522788 | Insulation, Door Brace 26W | 2 | | | |
| 38 | 1082802 | Hinge Link Rt | 1 | | | C |
| 39 | 1082803 | Hinge Link Lt | 1 | | | C |
| 40 | 4522772 | Bell Crank Assembly | 2 | | | |
| 41 | F299 | Bolt 1/4-20 x 1/2" Bell Crank | 2 | | | |
| 42 | 4522818 | Bell Crank Support Bracket | 2 | | | |
| 43 | 1005800 | Oven Door Spring | 2 | | | C |
| 44 | 4523497 | 6" Long J-Bolt (F598) | 1 | | | C |
| 45 | 4530057 | Door Spring Adjustment Bracket | 1 | | | |
| 46 | 4522770 | Kick Panel 26W | 1 | | | |
| 47 | 4524668 | Knob Assembly - Oven SIT Deg F | 1 | | | C |
| | 4524669 | Knob Assembly - Oven SIT Deg C | 1 | | | C |
| 48 | 4523081 | SIT Shield Mount | 1 | | | |
| 49 | 4523006 | SIT Oven Control | 1 | | | C |
| 50 | 1095499 | Straight Connector 7/16" | 2 | | | |
| 51 | 4523079 | SIT Shield Right | 1 | | | |
| 52 | 4523080 | SIT Shield Left | 1 | | | |
| 53 | 4523499 | SIT Shield Top | 1 | | | |
| 54 | 4523145 | .437 (7/16) Tube - SIT to Manifold | 1 | | | |
| 54A | 4520720 | 7/16" Flexible Tubing Sit To Manifold NOTE: Applicable Only for Models with 12"Griddles Mounted on the L/H Side of the Range. | 1 | | | |
| 55 | 4522411 | Rack Guide 26D | 2 | | | |
| 56 | 4522408 | Oven Rack 26W x 26D | 1 | | | |
| 57 | 4525164 | Oven Hearth Assembly 26W x 26D Note: Used UP TO 30-Apr-08. Assembly includes an oven hearth with studs (p/n 4523325), an oven hearth baffle (p/n 4523029), and pal nuts (p/n F95). Components listed for reference only; not sold separately. | 1 | | 30-APR-08 | |
| 61 | 4524992 | Oven Hearth 26W x 26D (Enamelled) Note: Used FROM 30-Apr-2008 / (serial#) 0804100101886. | 1 | 30-APR-08 | | |
| 62 | 4524993 | Baffle Pan 26W Right Note: Used UP TO 11-Sep-2008 / (serial#) 0804100101886 | 1 | 30-APR-08 | 11-SEP-08 | |
| | 4525550 | Baffle Pan 26W Right Note: Used FROM 12-Sep-2008 / (serial#) 0809100100283 | 1 | 12-SEP-08 | | |
| 63 | 4524994 | Baffle Pan 26W Left Note: Used UP TO 11-Sep-2008 / (serial#) 0804100101886 | 1 | 30-APR-08 | 11-SEP-08 | |
| | 4525549 | Baffle Pan 26W Left Note: Used FROM 12-Sep-2008 / (serial#) 0809100100283 | 1 | 12-SEP-08 | | |

* NOT ILLUSTRATED

RECOMMENDED STOCK PARTS

**U.S. RANGE PARTS IDENTIFICATION
U Series Gas Restaurant Ranges**

36" SINGLE STANDARD OVEN / CABINET DOOR COMPONENTS

| ITEM | PART # | DESCRIPTION | QTY | FROM | UP TO | CRITICAL |
|---------|---|---|-----------|-----------|-------|----------|
| 64 | 4522765 | Corner Column Left | 1 | | | |
| 66 | 4522766 | Corner Column Right | 1 | | | |
| 67 | F298N | 10-24 x 3/8" Shoulder Bolt Truss Head, Nickel Plated | 4 | | | |
| 68 | 4523088 | 36" Valve Panel - All (6) Open Top Burners | 1 | | | |
| | 4523744 | 36" Valve Panel - 12" Griddle (Thermostat) - R/H | 1 | | | |
| | | 36" Valve Panel - 12" Griddle (Standard) - R/H Note: Switched from 4523088 to 4523744 (date: 02-Dec-09, serial#: 0911100101162, model: G60-6G24RR-0002) | 1 | 02-DEC-09 | | |
| | 4523745 | 36" Valve Panel - 12" Griddle (Thermostat) - L/H | 1 | | | |
| | | 36" Valve Panel - 12" Griddle (Standard) - L/H Note: Switched from 4523088 to 4523745 (date: 02-Dec-09, serial#: 0911100101162, model: G60-6G24RR-0002) | 1 | 02-DEC-09 | | |
| | 4523613 | 36" Valve Panel - 24" Griddle (Thermostat) - R/H | 1 | | | |
| | | 36" Valve Panel - 24" Griddle (Standard) - R/H Note: Switched from 4523609 to 4523613 (date: 02-Dec-09, serial#: 0911100101162, model: G60-6G24RR-0002) | 1 | 02-DEC-09 | | |
| 4523615 | 36" Valve Panel - 24" Griddle (Thermostat) - L/H 36" Valve Panel - 24" Griddle (Standard) - L/H Note: Switched from 4523611 to 4523615 (date: 02-Dec-09, serial#: 0911100101162, model: G60-6G24RR-0002) | 1 | 02-DEC-09 | | | |
| 4524094 | 36" Valve Panel - 36" Griddle (Thermostat) 36" Valve Panel - 36" Griddle (Standard) Note: Switched from 4523609 to 4524094 (date: 02-Dec-09, serial#: 0911100101162, model: G60-6G24RR-0002) | 1 | 02-DEC-09 | | | |
| 70 | 4523072 | 36" Plate Rail | 1 | | | |
| 71 | 4523073 | Valve Panel End Cap Left | 1 | | | |
| 72 | 4523074 | Valve Panel End Cap Right | 1 | | | |
| 73 | 4526110 | Burner Box Filler | 2 | | | |
| 74 | 4522562 | Manifold Assembly 36" (without Fittings) | 1 | | | C |
| 75 | 2127502 | Regulator - Natural Gas 4.5" WC | 1 | | | C |
| | 2127500 | Regulator - Propane Gas 10" WC | 1 | | | C |
| 76 | G02352-1 | 90 Deg Elbow 3/8" Pipe to 7/16" Tube | 1 | | | |
| 77 | G02251-1 | Pressure Test Spigot | 1 | | | |
| 78 | 2203400 | 1/8" NPT Pipe Plug (Griddle/Hot tops only) Qty varies with top section configuration. | MAX 2 | | | |
| 79 | 4523142 | .187 (3/16) Dia Tubing SIT Valve to Oven Pilot | 1 | | | |
| 80 | 4523143 | .437 (7/16) Dia Tubing SIT Valve to Oven Orifice Fitting | 1 | | | |
| 81 | 4522774 | Air Shield Pilot 26W | 1 | | | |
| 82 | 4522773 | Air Shield Solid 26W | 1 | | | |
| 83 | 4523031 | Capillary Guard 26W | 1 | | | |
| 84 | 4523030 | Bulb Guard | 1 | | | |
| 85 | 4523194 | Rail Support Bracket | 1 | | | |
| 86 | 1082700 | Harness Ring | 2 | | | |
| 87 | 4522400 | Trunion Bracket | 2 | | | |
| 88 | 4523087 | Grate Support Rail (Qty varies with top section configuration) | MAX 2 | | | |
| 89 | 4523069 | 36" Drip Angle | 4 | | | |
| 90 | 1005110 | Flue Collar | 1 | | | |

* NOT ILLUSTRATED

RECOMMENDED STOCK PARTS

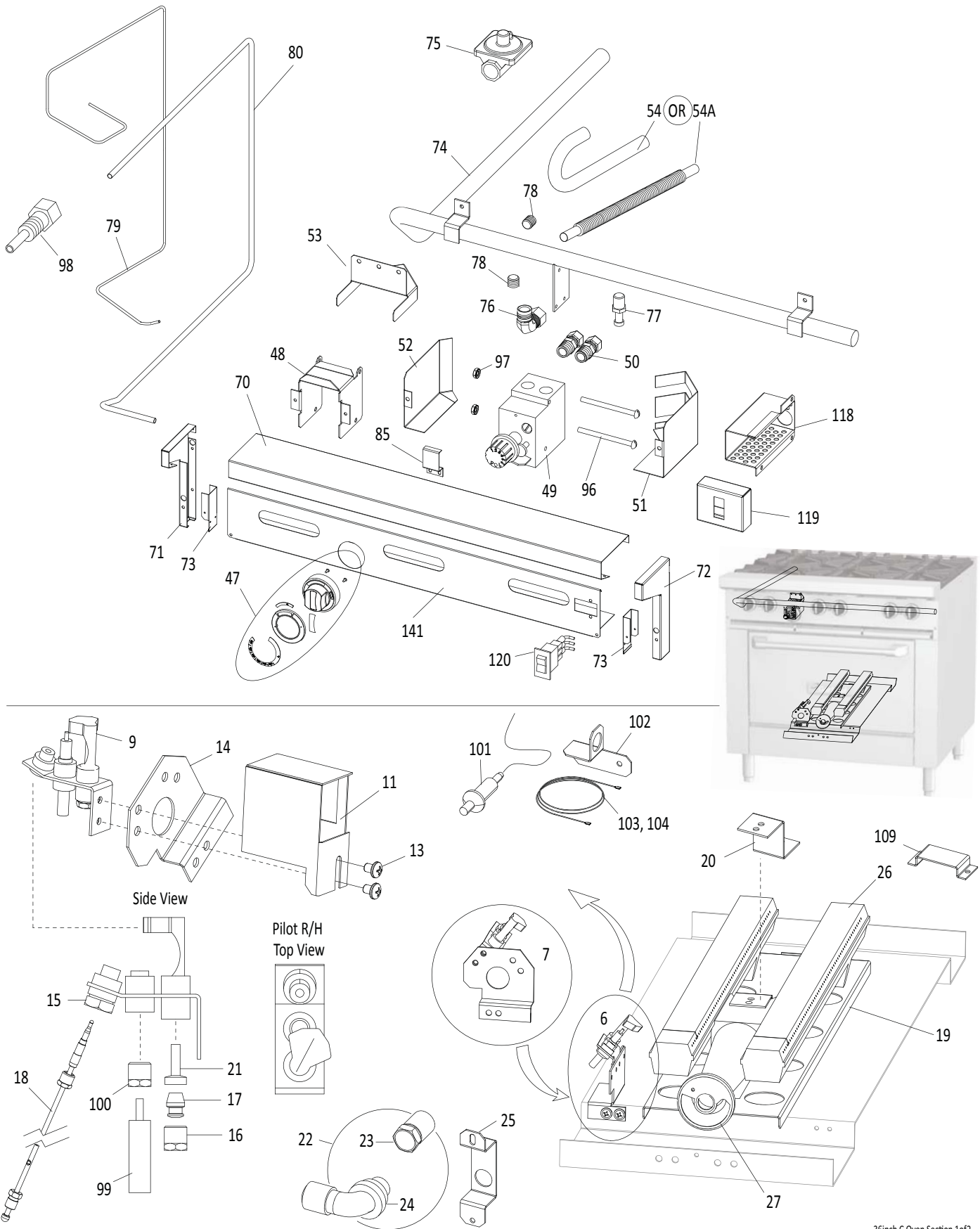
**U.S. RANGE PARTS IDENTIFICATION
U Series Gas Restaurant Ranges**

36" SINGLE STANDARD OVEN / CABINET DOOR COMPONENTS

| ITEM | PART # | DESCRIPTION | QTY | FROM | UP TO | CRITICAL |
|---|----------|---|-----|-----------|-------|----------|
| 96 | F16 | SIT to Manifold Mounting Bolts (#10-24 Round Head x 2-1/2" Long) | 2 | | | |
| 97 | F312 | SIT to Manifold Mounting Lock Nut (#10-24, K-Lock Nut) | 2 | | | |
| 98 | 4527220 | SIT Pilot Tube Connection | 1 | | | |
| LEGS & CASTERS | | | | | | |
| 200 | 4525074 | 6" Adjustable Leg, S/S | 4 | | | |
| 201 | 4524104 | 6" Flanged Leg (Optional) | 4 | | | |
| 202 | 4526324 | 6" Caster Package, non-adjustable (Optional) Note: Includes items 204, 205, 208, and installation instructions. | 1 | | | |
| 203 | 4526323 | 6" Caster Package, adjustable (Optional) Note: Includes items 206, 207, 208, and installation instructions. | 1 | | | |
| 204 | 4522417 | 6" Caster No Brake, 3/4-10 mount, non-adjustable | 2 | | | |
| 205 | 4522916 | 6" Caster With Brake, 3/4-10 mount, non-adjustable | 2 | | | |
| 206 | 4525597 | 6" Caster No Brake, 3/4-10 mount, adjustable | 2 | | | |
| 207 | 4525598 | 6" Caster With Brake, 3/4-10 mount, adjustable | 2 | | | |
| 208 | 4526157 | Caster Washer Note: Used FROM serial#: 0901100100838 / date: 20-Jan-09. | 4 | 20-JAN-09 | | |
| 209 | 4526325 | Caster Washer Kit | 1 | | | |
| CABINET DOOR COMPONENTS - 36" STORAGE BASE MODEL | | | | | | |
| 300 | 4524282 | Door Panel Outer - 36" Storage Base | 1 | | | |
| 301 | 4524283 | Door Panel Inner - 36" Storage Base | 1 | | | |
| 302 | F557 | 5/32" Rivet - S/S (Grip Range .039" - .118") | 10 | | | |
| 303 | 078056-5 | Flange Bearing/Bushing | 2 | | | |
| 304 | 2530900 | 0.375" Hole Plug | 2 | | | |
| 305 | 3031900 | Storage Door Handle | 1 | | | |
| 306 | 4524288 | Door Hinge Assembly - Right | 1 | | | |
| 307 | 4524287 | Door Hinge Assembly - Left | 1 | | | |
| 308 | 4524284 | Door Stop - 36" Door, Standard Base | 1 | | | |
| 309 | F60 | Screw-10AX 5/8INTLock Quad Pan | 8 | | | |
| 310 | 078174-1 | Magnetic Door Catch | 1 | | | |

* NOT ILLUSTRATED

RECOMMENDED STOCK PARTS



U.S.RANGE PARTS IDENTIFICATION

U Series Gas Restaurant Ranges

36" SINGLE CONVECTION OVEN COMPONENTS

| ITEM | PART # | DESCRIPTION | QTY | FROM | UP TO | CRITICAL |
|------|-----------------|--|-----|-----------|-----------|----------|
| 1 | 4523068 | 24" Main Channel - Front | 1 | | | |
| 2 | 4525530 | 24" Main Channel - Rear | 1 | | | |
| 3 | 4522764 | Body Side Lt/Rt | 2 | | | |
| 4 | 4522931 | Main Back Convection Oven | 1 | | | |
| 5 | 4522930 | Flue Riser Convection Oven | 1 | | | |
| 6 | | Right Pilot Assembly and Right Pilot Bracket Note: Used UP TO (date) Jan 29, 2008 / (serial#) 0801100101981. When servicing, IMPORTANT to replace the pilot assemble and bracket with Range Oven Pilot Kits (see item 7). | | | 29-JAN-08 | |
| 7 | 4524826 | Range Oven Pilot Kit Natural Gas, on L/H Side of Burner (for the oven on the Left) | 1 | 30-JAN-08 | | C |
| | 4524828 | Range Oven Pilot Kit Propane Gas, on L/H Side of Burner (for the oven on the Left) | 1 | 30-JAN-08 | | C |
| 9 | 2200700 | Pilot R/H #0.145.010, for Oven on the Left (Mounted on L/H Side of Burner) | 1 | | | C |
| 11 | 4525285 | Oven Pilot Shield L/H, for 2200700 Pilot R/H Note: Used FROM (serial#) 0806100100492 / (model) G36-6R-0022. | 1 | 12-JUN-08 | | |
| 13 | F440 | #10-32 x 1/4" Screw | | | | |
| 14 | 4524677 | Pilot Bracket Note: Used FROM (serial#) 0801100101981. | 1 | 30-JAN-08 | | |
| 15 | 2200706 | Thermocouple Retaining Nut | 1 | | | C |
| 16 | 2200704 | 3/16" Compression Nut - Oven Pilot | 1 | | | C |
| 17 | 2200705 | 3/16" Ferrule - Oven Pilot | 1 | | | C |
| 18 | 4523506 | Thermocouple Oven 60" | 1 | | | C |
| 19 | 4522763 | Oven Burner Rest | 1 | | | |
| 20 | 2512200 | Burner Hold Down Bracket | 1 | | | |
| 21 | 2200702 | Pilot Orifice #32 Natural Gas | 1 | | | C |
| | 2200703 | Pilot Orifice #23 Propane | 1 | | | C |
| | 2200709 | Pilot Orifice #40 Manufactured Gas | 1 | | | C |
| 22 | 1415530F | Oven Orifice Fitting w/#30 Hood (Natural Gas) | 1 | | | C |
| | 1415550F | Oven Orifice Fitting w/#50 Hood (Propane) | 1 | | | C |
| 23 | M9-30 | Large Orifice #30 Natural Gas | 1 | | | C |
| | M9-50 | Large Orifice #50 Propane | 1 | | | C |
| 24 | 14155XX | Oven Orifice Fitting (without orifice) | 1 | | | C |
| 25 | 4522781 | Orifice Bracket Oven | 1 | | | |
| 26 | 4525464 | H - Burner with Air Shutter Assembly (Partially Ported) Note: Assembly includes a cast iron H-burner (p/n 1014901) and an air shutter (item 27). | 1 | | | |
| 27 | 2512100 | Oven Burner Air Shutter (included in burner asm item# 26) | 1 | | | |
| 29 | 4525052 | US Range 26W Oven Door Assembly | 1 | | | |
| 30 | 4522769 | Door Frame Assembly 26W | 1 | | | |
| 31 | 1082500 | Oven Door Trunion | 2 | | | |
| 32 | 4522737 | Oven Door Panel 26W (with holes) | 1 | | | |
| 33 | 4529726 | US Range Logo - Large | 1 | | | |
| 34 | 4522377 | Oven Door Liner 26W | 1 | | | |
| 35 | 4522407 | Door Handle End Insulator | 2 | | | |
| 36A | 4522404 | Door Handle End | 2 | 9-SEP-09 | | |
| 36B* | 4525584 | Door Handle Kit 26W US Range Oven Note: Use this Kit for units manufactured from 21-NOV-2008 to 8-SEP-2009. Kit includes items 35, 36A, 37, and fasteners. | 1 | | | |

* NOT ILLUSTRATED

RECOMMENDED STOCK PARTS

**U.S.RANGE PARTS IDENTIFICATION
U Series Gas Restaurant Ranges**

36" SINGLE CONVECTION OVEN COMPONENTS

| ITEM | PART # | DESCRIPTION | QTY | FROM | UP TO | CRITICAL |
|------|----------------|--|----------|------------|------------|----------|
| 36C* | 4524912 | Door Handle End, Aluminum, US Range Note: This item is No Longer Available . Use Handle Kit 4525584 (item 36B) for an unit manufactured from (dates) 21-NOV-2008 to 8-SEP-2009 (serial#) 0811100101067 (model) U36-6C-0004. | | NLA | NLA | |
| 37 | 4522644 | Door Handle 26W | 1 | | | |
| 37A | 4522789 | Insulation, Door Filler 26W | 2 | | | |
| 37B | 4522788 | Insulation, Door Brace 26W | 2 | | | |
| 38 | 1082802 | Hinge Link Rt | 1 | | | C |
| 39 | 1082803 | Hinge Link Lt | 1 | | | C |
| 40 | 4522772 | Bell Crank Assembly | 2 | | | |
| 41 | F299 | Bolt 1/4-20 x 1/2" Bell Crank | 2 | | | |
| 42 | 4522818 | Bell Crank Support Bracket | 2 | | | |
| 43 | 1005800 | Oven Door Spring | 2 | | | C |
| 44 | 4523497 | 6" Long J-Bolt (F598) | 1 | | | C |
| 45 | 4530057 | Door Spring Adjustment Bracket | 1 | | | |
| 46 | 4522770 | Kick Panel 26W | 1 | | | |
| 47 | 4524668 | Knob Assembly - Oven SIT Deg F | 1 | | | C |
| | 4524669 | Knob Assembly - Oven SIT Deg C | 1 | | | C |
| 48 | 4523081 | SIT Shield Mount | 1 | | | |
| 49 | 4523006 | SIT Oven Control | 1 | | | C |
| 50 | 1095499 | Straight Connector 7/16" | 2 | | | |
| 51 | 4523079 | SIT Shield Right | 1 | | | |
| 52 | 4523080 | SIT Shield Left | 1 | | | |
| 53 | 4523499 | SIT Shield Top | 1 | | | |
| 54 | 4523145 | .437 (7/16) Tube - SIT to Manifold | 1 | | | |
| 54A | 4520720 | 7/16" Flexible Tubing S/S Sit To Manifold. Only for Models with 12"Griddles Mounted on the L/H Side of the Range. | 1 | | | |
| 55 | 4522413 | Rack Guide 26D | 2 | | | |
| 56 | 4522409 | Oven Rack 26W x 26D | 1 | | | |
| 64 | 4522765 | Corner Column Left | 1 | | | |
| 66 | 4522766 | Corner Column Right | 1 | | | |
| 67 | F298N | 10-24 x 3/8" Shoulder Bolt Truss Head, Nickel Plated | 4 | | | |
| 70 | 4523072 | 36" Plate Rail | 1 | | | |
| 71 | 4523073 | Valve Panel End Cap Left | 1 | | | |
| 72 | 4523074 | Valve Panel End Cap Right | 1 | | | |
| 73 | 4526110 | Burner Box Filler | 2 | | | |
| 74 | 4522562 | Manifold Assembly 36" (without Fittings) | 1 | | | C |
| 75 | 2127502 | Regulator - Natural Gas 4.5" WC | 1 | | | C |
| | 2127500 | Regulator - Propane Gas 10" WC | 1 | | | C |
| 76 | 4529768 | 90 Deg Elbow 3/8" Pipe to 7/16" Tube | 1 | | | |
| 77 | G02251-1 | Pressure Test Spigot | 1 | | | |
| 78 | 2203400 | 1/8" NPT Pipe Plug (Qty varies with top section configuration) | MAX 2 | | | |
| 79 | 4529764 | .187 (3/16) Dia Tubing SIT Valve to Oven Pilot | 1 | | | |
| 80 | 4523143 | .437 (7/16) Dia Tubing SIT Valve to Oven Orifice Fitting | 1 | | | |
| 81 | 4522774 | Air Shield Pilot 26W | 1 | | | |
| 82 | 4522773 | Air Shield Solid 26W | 1 | | | |
| 83 | 4523031 | Capillary Guard 26W | 1 | | | |
| 84 | 4523030 | Bulb Guard | 1 | | | |
| 85 | 4523194 | Rail Support Bracket | 1 | | | |

* NOT ILLUSTRATED

RECOMMENDED STOCK PARTS

U.S.RANGE PARTS IDENTIFICATION

U Series Gas Restaurant Ranges

36" SINGLE CONVECTION OVEN COMPONENTS

| ITEM | PART # | DESCRIPTION | QTY | FROM | UP TO | CRITICAL |
|-------|----------------|--|-----|-----------|-----------|----------|
| 86 | 1082700 | Harness Ring | 2 | | | |
| 87 | 4522400 | Trunion Bracket | 2 | | | |
| 88 | 4523087 | Grate Support Rail | 2 | | | |
| 89 | 4523069 | 36" Drip Angle | 4 | | | |
| 96 | F16 | SIT to Manifold Mounting Bolts (#10-24 Round Head x 2-1/2" Long) | 2 | | | |
| 97 | F312 | SIT to Manifold Mounting Lock Nut (#10-24, K-Lock Nut) | 2 | | | |
| 98 | 4527220 | SIT Pilot Tube Connection | 1 | | | |
| 99 | 2200708 | Electrode #0.915.025 | 1 | | | C |
| 100 | 2200707 | Nut Electrode #0.974.144 | 1 | | | C |
| 101 | 1309201 | Piezo Igniter #1244-41 | 1 | | | C |
| 102 | 4518193 | Piezo Support Bracket | 1 | | | |
| 103 | CK2200211 | 12" High Tension Wire Leads | 1 | | | |
| 104 | G03883R | Thermoflex Insulating Sleeve (sold by the foot) | 12" | | | |
| 105 | 4522949 | Fire Plate RC Oven | 1 | | 28-MAY-08 | |
| | 4524459 | Fire Plate RC Oven Note: Used FROM serial# 0805100101613 | 1 | 29-MAY-08 | | |
| 106 | 4522950 | Fire Plate Support Bracket Assembly | 1 | | | |
| 107 | 1412300 | Vent Slide | 1 | | | |
| 108 | 1412400 | Vent Slide Housing | 1 | | | |
| 109 | 4512234 | Burner Support Track | 1 | | | |
| 111 | 4522932 | Door Switch Cover, Convection Oven | 1 | | | |
| 112 | 1019600 | Door Switch, Convection Oven | 1 | | | C |
| 113 | G01503-16 | 1/4-20 x 1-3/4" Long Weld Stud | 1 | | | |
| 114 | F86 | 1/4 - 20 K-Lock Nut | 1 | | | |
| 115 | 4524808 | Hinge - RC Door Switch | 1 | | | |
| 116 | F599 | #6-32 x 1-1/2" Machine Screw | 1 | | | |
| 117 | F590 | #6-32 K-Lock Nut | 2 | | | |
| 118 | 4523222 | Switch Box, Convection Oven | 1 | | | C |
| 119 | 4524317 | Extension Box - C, Convection Oven | 1 | | | |
| 120 | 1358900 | Switch (Power Switch ON/OFF/ON), Convection Oven | 1 | | | C |
| 121 | 4524280 | Wire Channel | 1 | | | |
| 123 | 4515043 | RC Motor Assembly Kit 115V Note: Kit includes items 124A, 125 - 129. | 1 | | | C |
| 124A | 2485801 | RC Motor 1/3 HP, 115V, 60Hz | 1 | | | C |
| 124B* | 2485800 | RC Motor 1/3 HP, 208/240V, 50/60 Hz | 1 | | | C |
| 125 | G01503-3 | 1/4 - 20 Weld Nut | 8 | | | |
| 126 | 3013301 | Motor Mount Pocket | 1 | | | |
| 127 | 1669101 | Motor Pocket Insulation Board | 1 | | | |
| 128 | 3013401 | Motor Mount Plate | 1 | | | |
| 129 | G02952-01P | Blower Wheel Assembly (Plated) | 1 | | | |
| 130 | 2520100 | Fan Protector Screen | 1 | | | |
| 131A* | 1361298 | Bracket, Air Baffle Support Note: A unit manufactured UP TO 23-Jan-09 requires Kit (item# 133). | 2 | | 23-JAN-09 | |
| 131B | 4526160 | Air Baffle Support Bracket Assy with Care Nuts | 2 | 24-JAN-09 | | |
| 132A* | 4525267 | Air Baffle Note: A unit manufactured UP TO 23-Jan-09 requires Kit (item# 133). | 1 | | 23-JAN-09 | |
| 132B | 4526161 | Air Baffle | 1 | 24-JAN-09 | | |

* NOT ILLUSTRATED

RECOMMENDED STOCK PARTS

U.S.RANGE PARTS IDENTIFICATION

U Series Gas Restaurant Ranges

36" SINGLE CONVECTION OVEN COMPONENTS

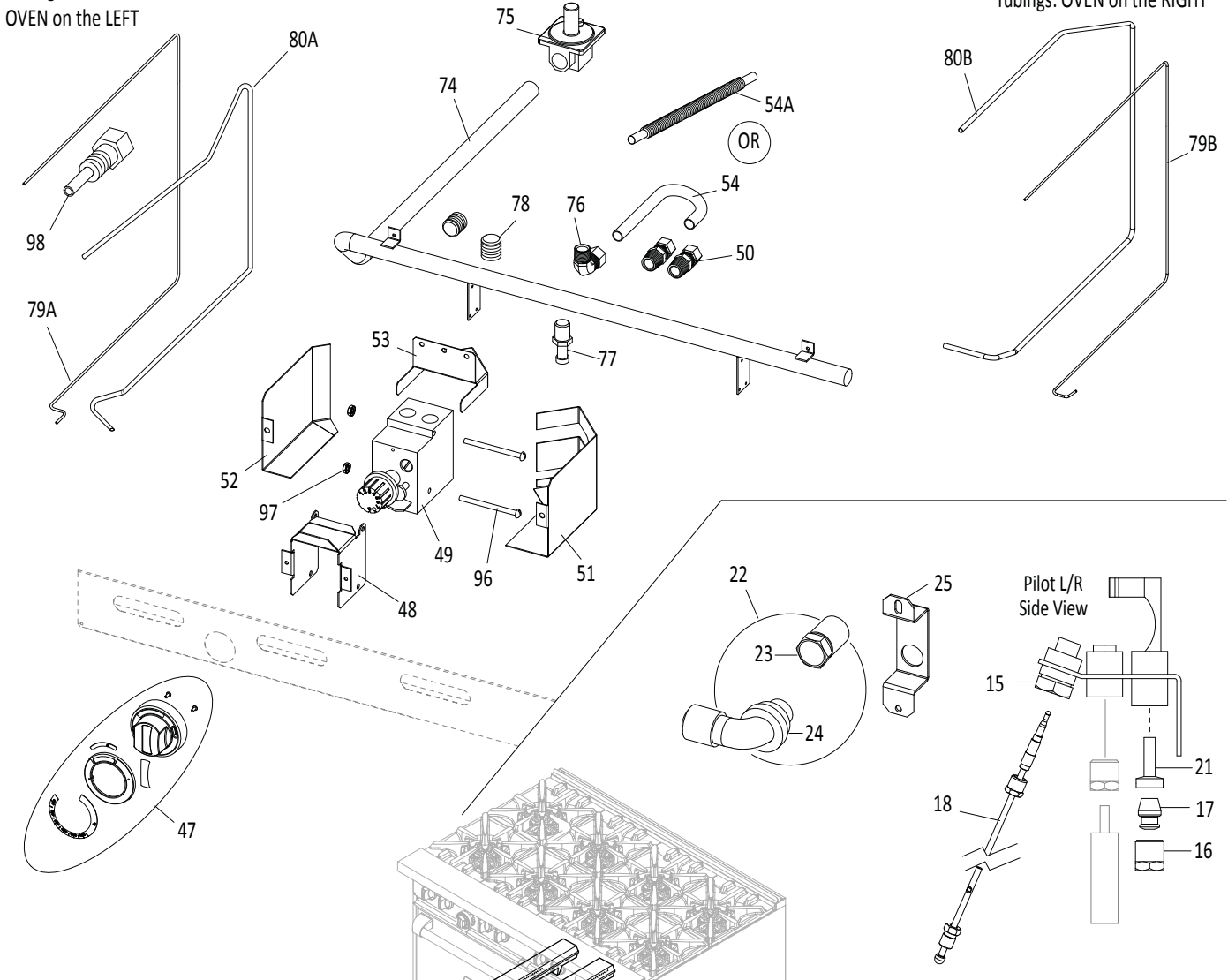
| ITEM | PART # | DESCRIPTION | QTY | FROM | UP TO | CRITICAL |
|---|----------|---|-----------|-----------|-------|----------|
| 133 | 4526164 | Convection Oven Air Baffle Kit (includes Items 115A & 116A) Note: This Kit can be used on an unit manufactured before or after 23-Jan-09. Kit includes items 131B & 132B. | 1 | | | |
| 134 | 4523398 | Cord & Plug, 6 Ft, 15Amp, SJ00W | 1 | | | |
| 135 | 4530070 | Terminal Box | 1 | | | |
| 136 | 4530071 | Terminal Box Cover | 1 | | | |
| 137 | 3050401 | Miniature Terminal Block Assy 3-P (for 208V/240V unit) | 1 | | | |
| 138 | G01497-1 | B/X Connector Straight 3/8" | 1 | | | |
| 139 | 1028500 | B/X Connector 90 Degrees 3/8" | 1 | | | |
| 140 | 2519799 | Motor Guard Assembly | 1 | | | |
| 141 | 4523311 | 36" Valve Panel (Convection)- All (6) Open Top Burners | 1 | | | |
| | 4523941 | 36" Valve Panel (Convection)- 12" Griddle (Thermostat) - R/H | 1 | | | |
| | | 36" Valve Panel (Convection)- 12" Griddle (Standard) - R/H Note: Switched from 4523311 to 4523941 (date: 02-Dec-09, serial#: 0911100101162, model: G60-6G24RR-0002) | 1 | 02-DEC-09 | | |
| | 4523942 | 36" Valve Panel (Convection)- 12" Griddle (Thermostat) - L/H | 1 | | | |
| | | 36" Valve Panel (Convection)- 12" Griddle (Standard) - L/H Note: Switched from 4523311 to 4523942 (date: 02-Dec-09, serial#: 0911100101162, model: G60-6G24RR-0002) | 1 | 02-DEC-09 | | |
| | 4523939 | 36" Valve Panel (Convection)- 24" Griddle (Thermostat) - R/H | 1 | | | |
| | | 36" Valve Panel (Convection)- 24" Griddle (Standard) - R/H Note: Switched from 4524041 to 4523939 (date: 02-Dec-09, serial#: 0911100101162, model: G60-6G24RR-0002) | 1 | 02-DEC-09 | | |
| | 4523940 | 36" Valve Panel (Convection)- 24" Griddle (Thermostat) - L/H | 1 | | | |
| | | 36" Valve Panel (Convection)- 24" Griddle (Standard) - L/H Note: Switched from 4523938 to 4523940 (date: 02-Dec-09, serial#: 0911100101162, model: G60-6G24RR-0002) | 1 | 02-DEC-09 | | |
| | 4524095 | 36" Valve Panel (Convection)- 36" Griddle (Thermostat) | 1 | | | |
| 36" Valve Panel (Convection)- 36" Griddle (Standard) Note: Switched from 4524041 to 4524095 (date: 02-Dec-09, serial#: 0911100101162, model: G60-6G24RR-0002) | | 1 | 02-DEC-09 | | | |
| LEGS & CASTERS | | | | | | |
| 200 | 4525074 | 6" Adjustable Leg, S/S | 4 | | | |
| 201 | 4524104 | 6" Flanged Leg (Optional) | 4 | | | |
| 202 | 4526324 | 6" Caster Package, non-adjustable (Optional) Note: Includes items 204, 205, 208, and installation instructions. | 1 | | | |
| 203 | 4526323 | 6" Caster Package, adjustable (Optional) Note: Includes items 206, 207, 208, and installation instructions. | 1 | | | |
| 204 | 4522417 | 6" Caster No Brake, 3/4-10 mount, non-adjustable | 2 | | | |
| 205 | 4522916 | 6" Caster With Brake, 3/4-10 mount, non-adjustable | 2 | | | |
| 206 | 4525597 | 6" Caster No Brake, 3/4-10 mount, adjustable | 2 | | | |
| 207 | 4525598 | 6" Caster With Brake, 3/4-10 mount, adjustable | 2 | | | |
| 208 | 4526157 | Caster Washer Note: Used FROM serial#: 0901100100838 / date: 20-Jan-09. | 4 | 20-JAN-09 | | |
| 209 | 4526325 | Caster Washer Kit | 1 | | | |

* NOT ILLUSTRATED

RECOMMENDED STOCK PARTS

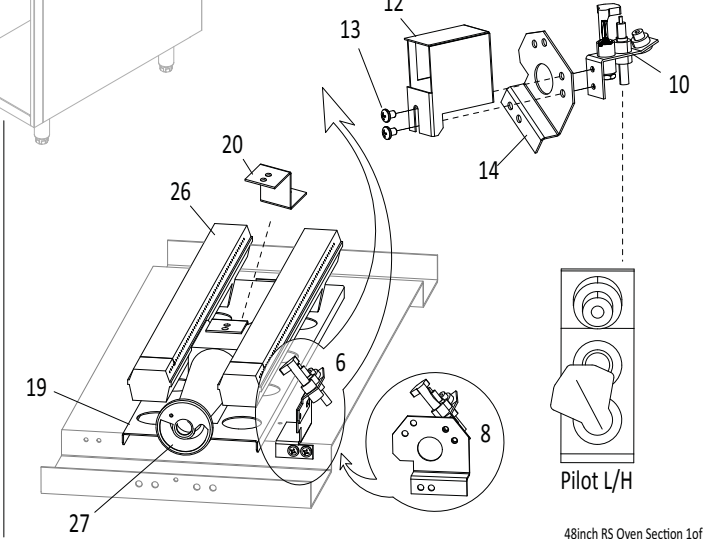
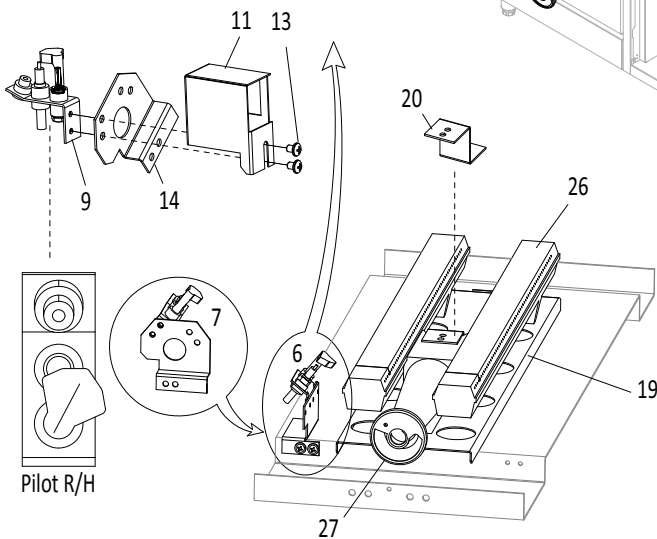
Tubings:
OVEN on the LEFT

Tubings: OVEN on the RIGHT



IF OVEN on the LEFT

IF OVEN on the RIGHT



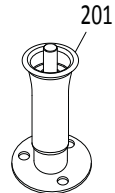
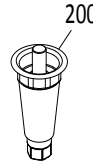
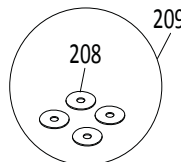
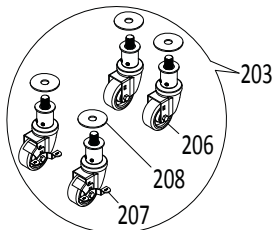
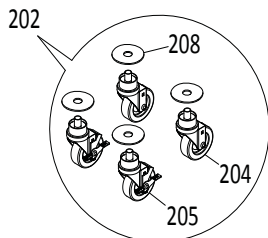
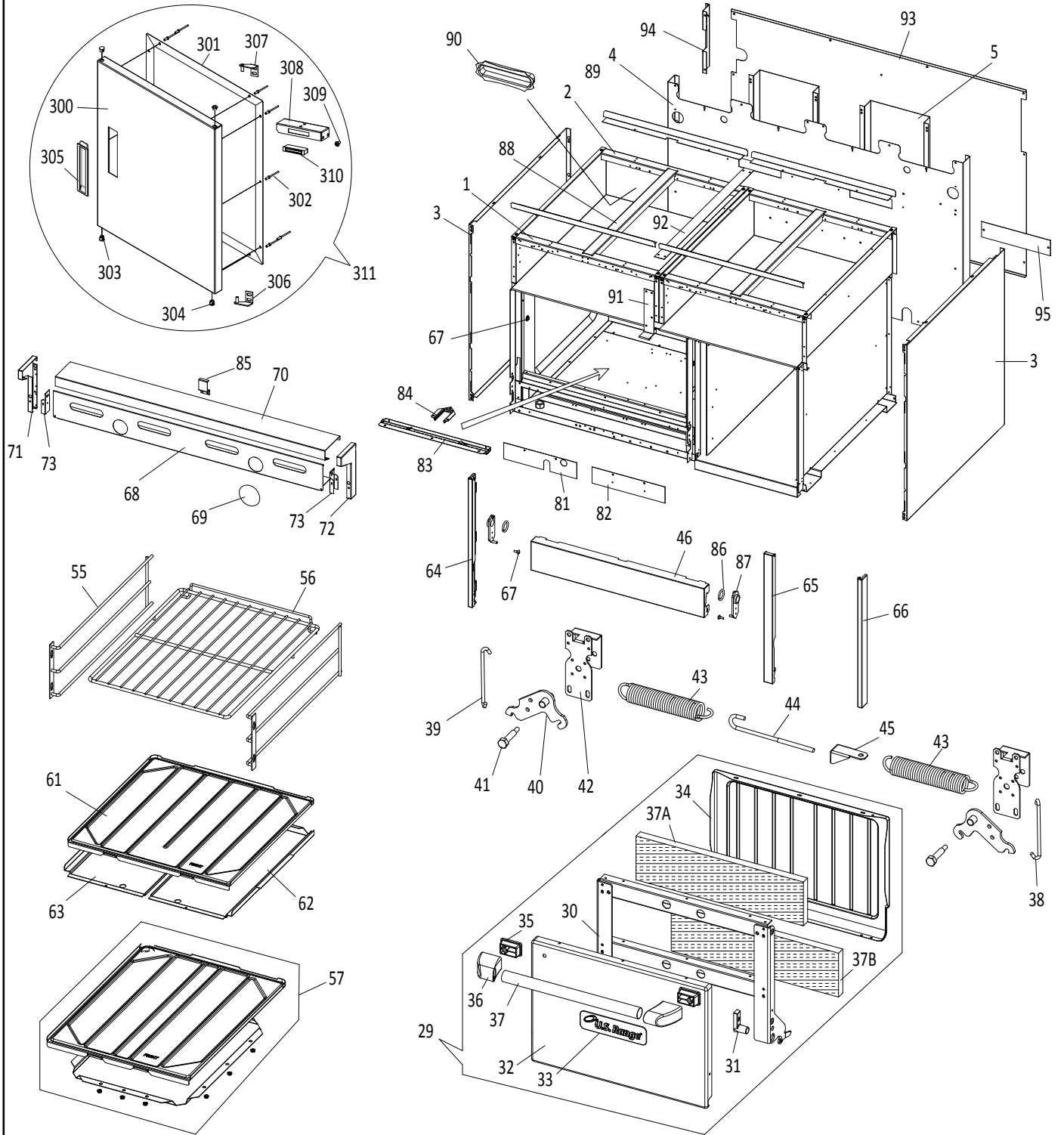
Pilot R/H

Pilot L/H

U Series Gas Restaurant Ranges



48" SINGLE STANDARD OVEN & CABINET DOOR (2 OF 2)



48inch RS Oven Section 2of2

U.S. RANGE PARTS IDENTIFICATION

U Series Gas Restaurant Ranges

48" SINGLE STANDARD OVEN & CABINET DOOR COMPONENTS

| ITEM | PART # | DESCRIPTION | QTY | FROM | UP TO | CRITICAL |
|------|-----------------|---|-----|-----------|-----------|----------|
| 1 | 4523184 | 24" Main Channel - Front | 2 | | | |
| 2 | 4525529 | 24" Main Channel - Rear | 2 | | | |
| 3 | 4522764 | Body Side Lt/Rt | 2 | | | |
| 4 | 4523136 | Main Back 48" - Standard Oven & Storage | 1 | | | |
| 5 | 4522762 | Flue Riser Standard Oven | 2 | | | |
| 6 | | Left/Right Pilot Assembly and Left/Right Pilot Bracket Note: Used UP TO (date) Jan 29, 2008 / (serial#) 0801100101981. When servicing, IMPORTANT to replace the pilot assembleie and bracket with Range Oven Pilot Kits (see item 7 / 8). | | | 29-JAN-08 | |
| 7 | 4524826 | Range Oven Pilot Kit Natural Gas, on L/H Side of Burner (for the oven on the Left) | 1 | 30-JAN-08 | | C |
| | 4524828 | Range Oven Pilot Kit Propane Gas, on L/H Side of Burner (for the oven on the Left) | 1 | 30-JAN-08 | | C |
| 8 | 4524825 | Range Oven Pilot Kit Natural Gas, on R/H Side of Burner (for the oven on the Right) | 1 | 30-JAN-08 | | C |
| | 4524827 | Range Oven Pilot Kit Propane Gas, on R/H Side of Burner (for the oven on the Right) | 1 | 30-JAN-08 | | C |
| 9 | 2200700 | Pilot R/H #0.145.010, for Oven on the Left (Mounted on L/H Side of Burner) | 1 | | | C |
| 10 | 2200701 | Pilot L/H #0.145.007 for Oven on the Right (Mounted on R/H Side of Burner) | 1 | | | C |
| 11 | 4525285 | Oven Pilot Shield L/H, for 2200700 Pilot R/H Note: Used FROM (serial#) 0806100100492 / (model) G36-6R-0022. | 1 | | | |
| 12 | 4525300 | G/U Oven Pilot Shield R/H for 2200701 Pilot L/H Note: Used FROM (serial# 0806100100492 / (model) G36-6R-0022 | 1 | | | |
| 13 | F440 | #10-32 x 1/4" Screw | | | | |
| 14 | 4524677 | Pilot Bracket | 1 | | | |
| 15 | 2200706 | Thermocouple Retaining Nut | 1 | | | C |
| 16 | 2200704 | 3/16" Compression Nut - Oven Pilot | 1 | | | C |
| 17 | 2200705 | 3/16" Ferrule - Oven Pilot | 1 | | | C |
| 18 | 4523506 | Thermocouple Oven 60" | 1 | | | C |
| 19 | 4522763 | Oven Burner Rest | 1 | | | |
| 20 | 2512200 | Burner Hold Down Bracket | 1 | | | |
| 21 | 2200702 | Pilot Orifice #32 Natural Gas | 1 | | | C |
| | 2200703 | Pilot Orifice #23 Propane | 1 | | | C |
| 22 | 1415530F | Oven Orifice Fitting w/#30 Hood (Natural Gas) | 1 | | | C |
| | 1415550F | Oven Orifice Fitting w/#50 Hood (Propane) | 1 | | | C |
| 23 | M9-30 | Large Orifice #30 Natural Gas | 1 | | | C |
| | M9-50 | Large Orifice #50 Propane | 1 | | | C |
| 24 | 14155XX | Oven Orifice Fitting (without orifice) | 1 | | | C |
| 25 | 4522781 | Orifice Bracket Oven | 1 | | | |
| 26 | 4525464 | H - Burner with Air Shutter Assembly (Partially Ported) Note: Assembly includes a cast iron H-burner (p/n 1014901) and an air shutter (item 27). | 1 | | | |
| 27 | 2512100 | Oven Burner Air Shutter (included in burner asm item# 26) | 1 | | | |
| 29 | 4525052 | USRange 26W Oven Door Assembly | 1 | | | |
| 30 | 4522769 | Door Frame Assembly 26W | 1 | | | |
| 31 | 1082500 | Oven Door Trunion | 2 | | | |
| 32 | 4522737 | Oven Door Panel 26W (with holes) | 1 | | | |
| 33 | 4529726 | USRange Logo - Large | 1 | | | |

* NOT ILLUSTRATED

RECOMMENDED STOCK PARTS

U.S. RANGE PARTS IDENTIFICATION

U Series Gas Restaurant Ranges

48" SINGLE STANDARD OVEN & CABINET DOOR COMPONENTS

| ITEM | PART # | DESCRIPTION | QTY | FROM | UP TO | CRITICAL |
|------|----------------|--|-----|-----------|-----------|----------|
| 34 | 4522377 | Oven Door Liner 26W | 1 | | | |
| 35 | 4522407 | Door Handle End Insulator | 2 | | | |
| 36A | 4522404 | Door Handle End | 2 | 9-SEP-09 | | |
| 36B* | 4525584 | Door Handle Kit 26W US Range Oven Note: Use this Kit for units manufactured from 21-NOV-2008 to 8-SEP-2009. Kit includes items 35, 36A, 37, and fasteners. | 1 | | | |
| 36C* | 4524912 | Door Handle End, Aluminum, US Range Note: This item is No Longer Available . Use Handle Kit 4525584 (item 36B) for an unit manufactured from (dates) 21-NOV-2008 to 8-SEP-2009 / (serial#) 0811100101067 / (model) U36-6C-0004. | | NLA | NLA | |
| 37 | 4522644 | Door Handle, 26W | 1 | | | |
| 37A | 4522789 | Insulation, Door Filler 26W | 2 | | | |
| 37B | 4522788 | Insulation, Door Brace 26W | 2 | | | |
| 38 | 1082802 | Hinge Link Rt | 1 | | | C |
| 39 | 1082803 | Hinge Link Lt | 1 | | | C |
| 40 | 4522772 | Bell Crank Assembly | 2 | | | |
| 41 | F299 | Bolt 1/4-20 x 1/2" Bell Crank | 2 | | | |
| 42 | 4522818 | Bell Crank Support Bracket | 2 | | | |
| 43 | 1005800 | Oven Door Spring | 2 | | | C |
| 44 | 4523497 | 6" Long J-Bolt (F598) | 1 | | | C |
| 45 | 4530057 | Door Spring Adjustment Bracket | 1 | | | |
| 46 | 4522770 | Kick Panel 26W | 1 | | | |
| 47 | 4524668 | Knob Assembly - Oven SIT Deg F | 1 | | | C |
| | 4524669 | Knob Assembly - Oven SIT Deg C | 1 | | | C |
| 48 | 4523081 | SIT Shield Mount | 1 | | | |
| 49 | 4523006 | SIT Oven Control | 1 | | | C |
| 50 | 1095499 | Straight Connector 7/16" | 2 | | | |
| 51 | 4523079 | SIT Shield Right | 1 | | | |
| 52 | 4523080 | SIT Shield Left | 1 | | | |
| 53 | 4523499 | SIT Shield Top | 1 | | | |
| 54 | 4523145 | .437 (7/16) Tube - SIT to Manifold | 1 | | | |
| 54A | 4520720 | 7/16" Flexible Tubing Sit To Manifold Only for Models with 12"Griddles Mounted on the L/H Side of the Range. | 1 | | | |
| 55 | 4522411 | Rack Guide 26D | 2 | | | |
| 56 | 4522408 | Oven Rack 26W x 26D | 1 | | | |
| 57 | 4525164 | Oven Hearth Assembly 26W x 26D Note: Used UP TO 30-Apr-08. Assembly includes an oven hearth with studs (p/n 4523325), an oven hearth baffle (p/n 4523029), and pal nuts (p/n F95). Components listed for reference only; not sold separately. | 1 | | 30-APR-08 | |
| 61 | 4524992 | Oven Hearth 26W x 26D (Enamelled) (Serial #0804100101886) | 1 | 30-APR-08 | | |
| 62 | 4524993 | Baffle Pan 26W Right Note: Used UP TO 11-Sep-2008 / (serial#) 0804100101886 | 1 | 30-APR-08 | 11-SEP-08 | |
| | 4525550 | Baffle Pan 26W Right Note: Used FROM 12-Sep-2008 / (serial#) 0809100100283 | 1 | 12-SEP-08 | | |
| 63 | 4524994 | Baffle Pan 26W Left Note: Used UP TO 11-Sep-2008 / (serial#) 0804100101886 | 1 | 30-APR-08 | 11-SEP-08 | |
| | 4525549 | Baffle Pan 26W Left Note: Used FROM 12-Sep-2008 / (serial#) 0809100100283 | 1 | 12-SEP-08 | | |
| 64 | 4522990 | Corner Column Left | 1 | | | |
| 65 | 4522993 | Center Column | 1 | | | |

* NOT ILLUSTRATED

RECOMMENDED STOCK PARTS

U.S. RANGE PARTS IDENTIFICATION

U Series Gas Restaurant Ranges

48" SINGLE STANDARD OVEN & CABINET DOOR COMPONENTS

| ITEM | PART # | DESCRIPTION | QTY | FROM | UP TO | CRITICAL |
|---|---|---|-----------|-----------|-------|----------|
| 66 | 4522991 | Corner Column Right | 1 | | | |
| 67 | F298N | 10-24 x 3/8" Shoulder Bolt Truss Head, Nickel Plated | 4 | | | |
| 68 | 4523204 | 48" Valve Panel - All (8) Open Top Burners | 1 | | | |
| | 4524393 | 48" Valve Panel - 12" Griddle (Thermostat) - R/H | 1 | | | |
| | | 48" Valve Panel - 12" Griddle (Standard) - R/H Note: Switched from 4523204 to 4524393 (date: 02-Dec-09, serial#: 0911100101162, model: G60-6G24RR-0002) | 1 | 02-DEC-09 | | |
| | 4524395 | 48" Valve Panel - 12" Griddle (Thermostat) - L/H | 1 | | | |
| | | 48" Valve Panel - 12" Griddle (Standard) - L/H Note: Switched from 4523204 to 4524395 (date: 02-Dec-09, serial#: 0911100101162, model: G60-6G24RR-0002) | 1 | 02-DEC-09 | | |
| | 4523721 | 48" Valve Panel - 24" Griddle (Thermostat) - R/H | 1 | | | |
| | | 48" Valve Panel - 24" Griddle (Standard) - R/H Note: Switched from 4523719 to 4523721 (date: 02-Dec-09, serial#: 0911100101162, model: G60-6G24RR-0002) | 1 | 02-DEC-09 | | |
| | 4523722 | 48" Valve Panel - 24" Griddle (Thermostat) - L/H | 1 | | | |
| | | 48" Valve Panel - 24" Griddle (Standard) - L/H Note: Switched from 4523720 to 4523722 (date: 02-Dec-09, serial#: 0911100101162, model: G60-6G24RR-0002) | 1 | 02-DEC-09 | | |
| | 4524397 | 48" Valve Panel - 36" Griddle (Thermostat) - R/H | 1 | | | |
| 48" Valve Panel - 36" Griddle (Standard) - R/H Note: Switched from 4523719 to 4524397 (date: 02-Dec-09, serial#: 0911100101162, model: G60-6G24RR-0002) | | 1 | 02-DEC-09 | | | |
| 4524399 | 48" Valve Panel - 36" Griddle (Thermostat) - L/H | 1 | | | | |
| | 48" Valve Panel - 36" Griddle (Standard) - L/H Note: Switched from 4523720 to 4524399 (date: 02-Dec-09, serial#: 0911100101162, model: G60-6G24RR-0002) | 1 | 02-DEC-09 | | | |
| 4524401 | 48" Valve Panel - 48" Griddle (Thermostat) | 1 | | | | |
| | 48" Valve Panel - 48" Griddle (Standard) Note: Switched from 4524391 to 4524401 (date: 02-Dec-09, serial#: 0911100101162, model: G60-6G24RR-0002) | 1 | 02-DEC-09 | | | |
| 69 | 4523746 | 2.5" Nickel Plated Valve Panel Plug | 1 | | | |
| 70 | 4523197 | 48" Plate Rail | 1 | | | |
| 71 | 4523073 | Valve Panel End Cap Left | 1 | | | |
| 72 | 4523074 | Valve Panel End Cap Right | 1 | | | |
| 73 | 4526110 | Burner Box Filler | 2 | | | |
| 74 | 4522563 | Manifold Assembly 48" (without Fittings) | 1 | | | C |
| 75 | 4522421 | 1" Regulator - Natural Gas 4.5" WC | 1 | | | C |
| | 4522422 | 1" Regulator - Propane Gas 10" WC | 1 | | | C |
| 76 | 4529768 | 90 Deg Elbow 3/8" Pipe to 7/16" Tube | 1 | | | |
| 77 | G02251-1 | Pressure Test Spigot | 1 | | | |
| 78 | 2203400 | 1/8" NPT Pipe Plug (Griddle/Hot tops only) Qty varies with top section configuration. | MAX 2 | | | |
| 79A | 4523142 | .187 (3/16) Dia Tubing SIT Valve to Oven Pilot, for Oven on the Left | 1 | | | |
| 79B | 4523180 | .187 (3/16) Dia Tubing SIT Valve to Oven Pilot, for Oven on the Right | 1 | | | |
| 80A | 4530485 | .437 (7/16) Dia Tubing SIT Valve to Oven Orifice Fitting, for Oven on the Left | 1 | | | |

* NOT ILLUSTRATED

RECOMMENDED STOCK PARTS

**U.S. RANGE PARTS IDENTIFICATION
U Series Gas Restaurant Ranges**

48" SINGLE STANDARD OVEN & CABINET DOOR COMPONENTS

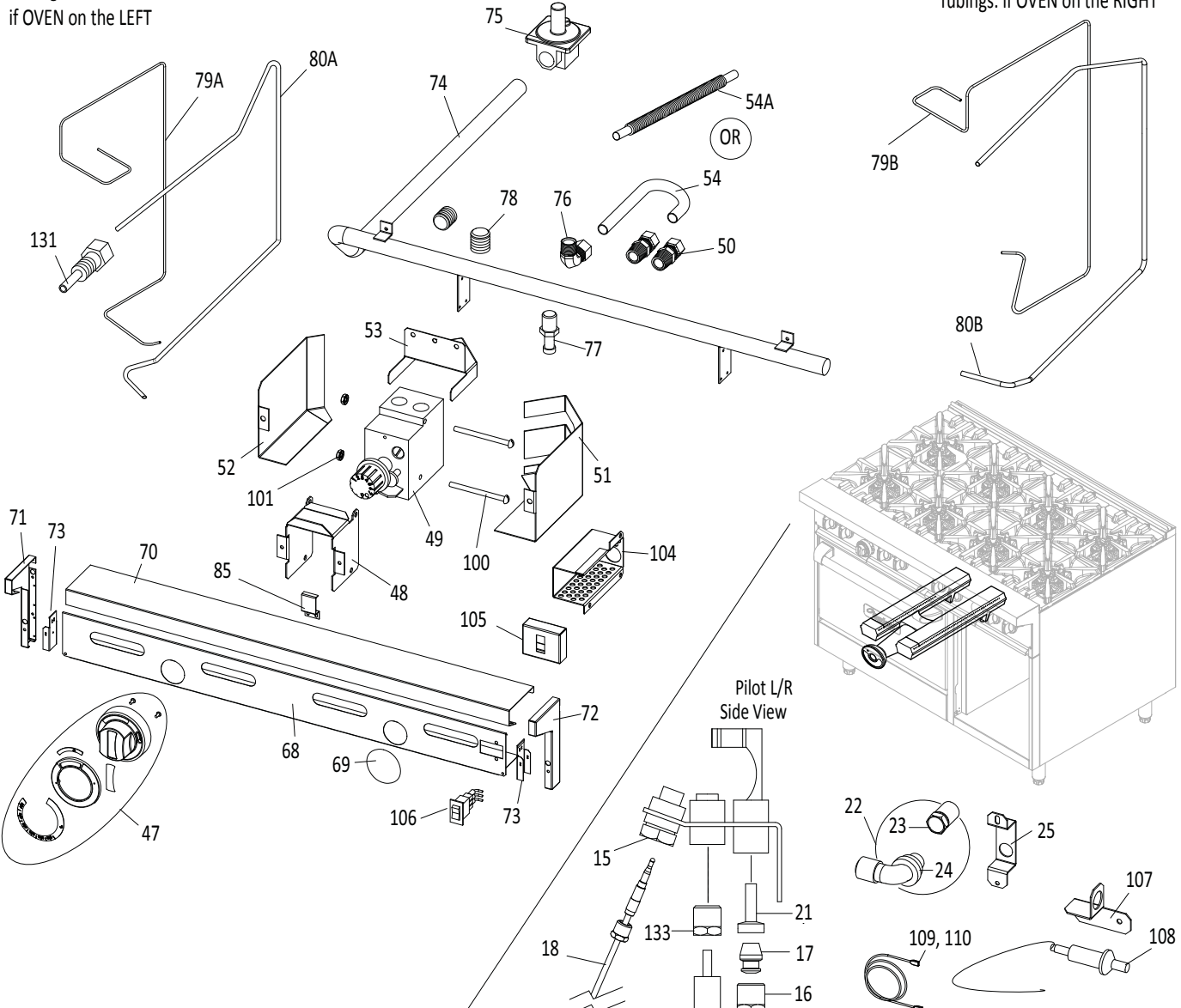
| ITEM | PART # | DESCRIPTION | QTY | FROM | UP TO | CRITICAL |
|---|------------|---|-------|-----------|-------|----------|
| 80B | 4530483 | .437 (7/16) Dia Tubing SIT Valve to Oven Orifice Fitting, for Oven on the Right | 1 | | | |
| 81 | 4522774 | Air Shield Pilot 26W | 1 | | | |
| 82 | 4522773 | Air Shield Solid 26W | 1 | | | |
| 83 | 4523031 | Capillary Guard 26W | 1 | | | |
| 84 | 4523030 | Bulb Guard | 1 | | | |
| 85 | 4523194 | Rail Support Bracket | 1 | | | |
| 86 | 1082700 | Harness Ring | 2 | | | |
| 87 | 4522400 | Trunion Bracket | 2 | | | |
| 88 | 4523087 | Grate Support Rail (Qty varies with top section configuration) | MAX 2 | | | |
| 89 | 4523186 | 24" Drip Angle | 4 | | | |
| 90 | 1005110 | Flue Collar | 1 | | | |
| 91 | 4522996 | Tie Strap Front | 1 | | | |
| 92 | 4522995 | Tie Strap Top | 1 | | | |
| 93 | 4524634 | Veneer Back S/S - 48" Standard Oven (Optional) | 1 | | | |
| 94 | 4524632 | Veneer Back Support - Standard Oven | 1 | | | |
| 95 | G01265-1-7 | Storage Base - Flue/Oven Tube Cover | 1 | | | |
| 96 | F16 | SIT to Manifold Mounting Bolts (#10-24 Round Head x 2-1/2" Long) | 2 | | | |
| 97 | F312 | SIT to Manifold Mounting Lock Nut (#10-24, K-Lock Nut) | 2 | | | |
| 98 | 4527220 | SIT Pilot Tube Connection | 1 | | | |
| LEGS & CASTERS | | | | | | |
| 200 | 4525074 | 6" Adjustable Leg, S/S | 4 | | | |
| 201 | 4524104 | 6" Flanged Leg (Optional) | 4 | | | |
| 202 | 4526324 | 6" Caster Package, non-adjustable (Optional) Note: Includes items 204, 205, 208, and installation instructions. | 1 | | | |
| 203 | 4526323 | 6" Caster Package, adjustable (Optional) Note: Includes items 206, 207, 208, and installation instructions. | 1 | | | |
| 204 | 4522417 | 6" Caster No Brake, 3/4-10 mount, non-adjustable | 2 | | | |
| 205 | 4522916 | 6" Caster With Brake, 3/4-10 mount, non-adjustable | 2 | | | |
| 206 | 4525597 | 6" Caster No Brake, 3/4-10 mount, adjustable | 2 | | | |
| 207 | 4525598 | 6" Caster With Brake, 3/4-10 mount, adjustable | 2 | | | |
| 208 | 4526157 | Caster Washer Note: Used FROM serial#: 0901100100838 / date: 20-Jan-09. | 4 | 20-JAN-09 | | |
| 209 | 4526325 | Caster Washer Kit | 1 | | | |
| CABINET DOOR COMPONENTS - 15" STORAGE BASE MODEL | | | | | | |
| 300 | 4524309 | Door Panel Outer - 15" Storage Base | 1 | | | |
| 301 | 4524310 | Door Panel Inner - 15" Storage Base | 1 | | | |
| 302 | F557 | 5/32" Rivet - S/S (Grip Range .039" - .118") | 12 | | | |
| 303 | 078056-5 | Flange Bearing/Bushing | 2 | | | |
| 304 | 2530900 | 0.375" Hole Plug | 2 | | | |
| 305 | 3031900 | Storage Door Handle | 1 | | | |
| 306 | 4524288 | Door Hinge Assembly - Right | 1 | | | |
| 307 | 4524287 | Door Hinge Assembly - Left | 1 | | | |
| 308 | 4524308 | Door Stop - 15"/24" Door, Standard Base | 1 | | | |
| 309 | F60 | Screw-10AX 5/8INTLock Quad Pan | 4 | | | |
| 310 | 078174-1 | Magnetic Door Catch | 1 | | | |
| 311 | 4529120 | 15" Complete Door Kit Assembly, G/U Series Note: Assembly includes items 300 - 310 | 1 | | | |

* NOT ILLUSTRATED

RECOMMENDED STOCK PARTS

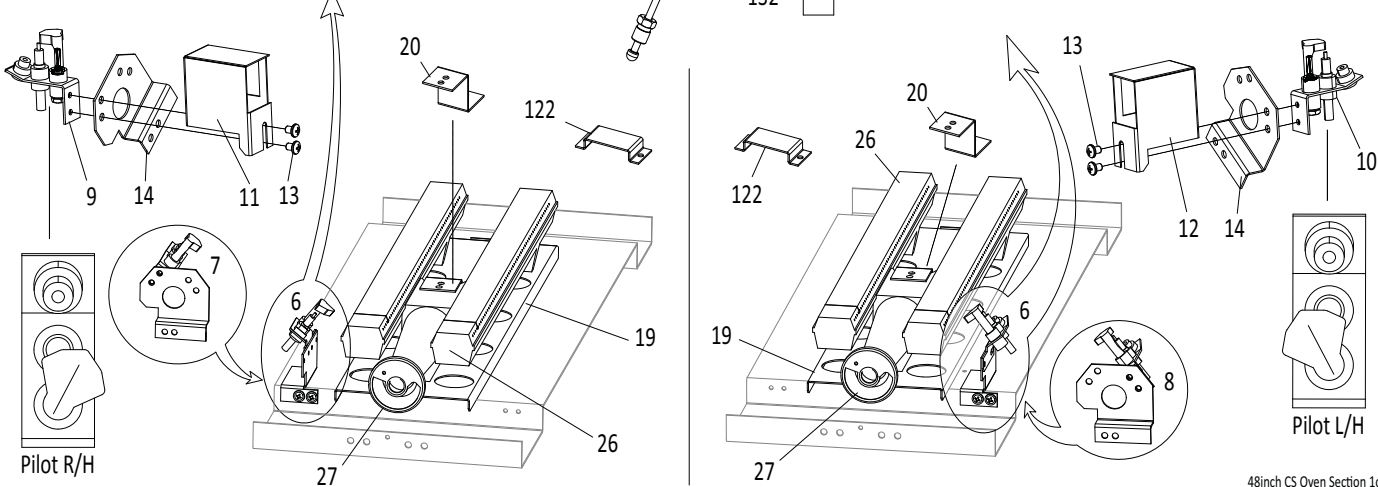
Tubings:
if OVEN on the LEFT

Tubings: if OVEN on the RIGHT



IF OVEN on the LEFT

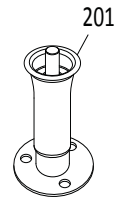
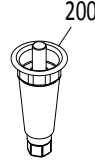
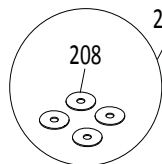
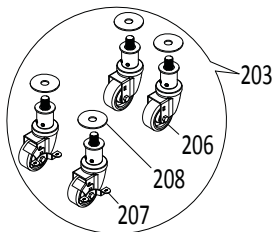
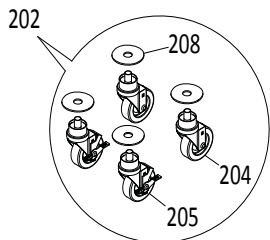
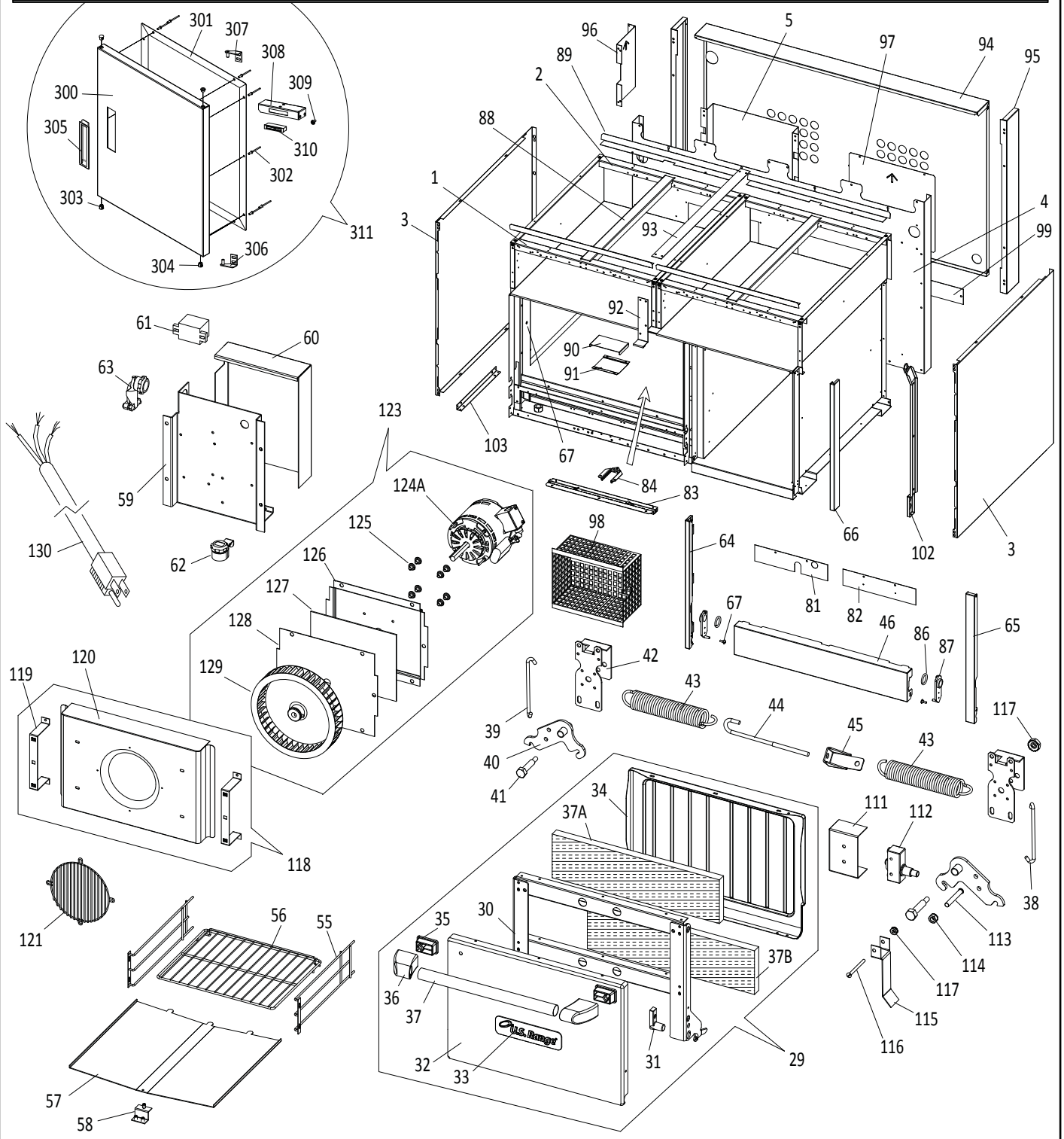
IF OVEN on the RIGHT



U Series Gas Restaurant Ranges



48" SINGLE CONVECTION OVEN & CABINET DOOR (2 OF 2)



48inch CS Oven Section 2of2

**U.S. RANGE PARTS IDENTIFICATION
U Series Gas Restaurant Ranges**

48" SINGLE CONVECTION OVEN & CABINET DOOR COMPONENTS

| ITEM | PART# | DESCRIPTION | QTY | FROM | UP TO | CRITICAL |
|------|-----------------|--|-----|-----------|-----------|----------|
| 1 | 4523184 | 24" Main Channel - Front | 2 | | | |
| 2 | 4525529 | 24" Main Channel - Rear | 2 | | | |
| 3 | 4522764 | Body Side Lt/Rt | 2 | | | |
| 4 | 4523137 | Main Back 48" - RC Oven & Storage | 1 | | | |
| 5 | 4522930 | Flue Riser RC Oven | 1 | | | |
| 6 | | Left/Right Pilot Assembly and Left/Right Pilot Bracket Note: Used UP TO (date) Jan 29, 2008 / (serial#) 0801100101981. When servicing, IMPORTANT to replace the pilot assemblie and bracket with Range Oven Pilot Kits (see item 7 / 8). | | | 29-JAN-08 | |
| 7 | 4524826 | Range Oven Pilot Kit Natural Gas, on L/H Side of Burner (for the oven on the Left) | 1 | 30-JAN-08 | | C |
| | 4524828 | Range Oven Pilot Kit Propane Gas, on L/H Side of Burner (for the oven on the Left) | 1 | 30-JAN-08 | | C |
| 8 | 4524825 | Range Oven Pilot Kit Natural Gas, on R/H Side of Burner (for the oven on the Right) | 1 | 30-JAN-08 | | C |
| | 4524827 | Range Oven Pilot Kit Propane Gas, on R/H Side of Burner (for the oven on the Right) | 1 | 30-JAN-08 | | C |
| 9 | 2200700 | Pilot R/H #0.145.010, for Oven on the Left (Mounted on L/H Side of Burner) | 1 | | | C |
| 10 | 2200701 | Pilot L/H #0.145.007 for Oven on the Right (Mounted on R/H Side of Burner) | 1 | | | C |
| 11 | 4525285 | Oven Pilot Shield L/H, for 2200700 Pilot R/H Note: Used FROM (serial#) 0806100100492 / (model) G36-6R-0022. | 1 | | | |
| 12 | 4525300 | G/U Oven Pilot Shield R/H for 2200701 Pilot L/H Note: Used FROM (serial#) 0806100100492 / (model) G36-6R-0022 | 1 | | | |
| 13 | F440 | #10-32 x 1/4" Screw | | | | |
| 14 | 4524677 | Pilot Bracket | 1 | | | |
| 15 | 2200706 | Thermocouple Retaining Nut | 1 | | | C |
| 16 | 2200704 | 3/16" Compression Nut - Oven Pilot | 1 | | | C |
| 17 | 2200705 | 3/16" Ferrule - Oven Pilot | 1 | | | C |
| 18 | 4523506 | Thermocouple Oven 60" | 1 | | | C |
| 19 | 4522763 | Oven Burner Rest | 1 | | | |
| 20 | 2512200 | Burner Hold Down Bracket | 1 | | | |
| 21 | 2200702 | Pilot Orifice #32 Natural Gas | 1 | | | C |
| | 2200703 | Pilot Orifice #23 Propane | 1 | | | C |
| 22 | 1415530F | Oven Orifice Fitting w/#30 hood (Natural Gas) | 1 | | | C |
| | 1415550F | Oven Orifice Fitting w/#50 hood (Propane) | 1 | | | C |
| 23 | M9-30 | Large Orifice #30 Natural Gas | 1 | | | C |
| | M9-50 | Large Orifice #50 Propane | 1 | | | C |
| 24 | 14155XX | Oven Orifice Fitting (without orifice) | 1 | | | C |
| 25 | 4522781 | Orifice Bracket Oven | 1 | | | |
| 26 | 4525464 | H - Burner with Air Shutter Assembly (Partially Ported) Note: Assembly includes a cast iron H-burner (p/n 1014901) and an air shutter (item 27). | 1 | | | |
| 27 | 2512100 | Oven Burner Air Shutter (included in burner asm item# 26) | 1 | | | |
| 29 | 4525052 | US Range 26W Oven Door Assembly | 1 | | | |

* NOT ILLUSTRATED

RECOMMENDED STOCK PARTS

**U.S. RANGE PARTS IDENTIFICATION
U Series Gas Restaurant Ranges**

48" SINGLE CONVECTION OVEN & CABINET DOOR COMPONENTS

| ITEM | PART# | DESCRIPTION | QTY | FROM | UP TO | CRITICAL |
|------|----------------|--|-----|-----------|-----------|----------|
| 30 | 4522769 | Door Frame Assembly 26W | 1 | | | |
| 31 | 1082500 | Oven Door Trunion | 2 | | | |
| 32 | 4522737 | Oven Door Panel 26W (with holes) | 1 | | | |
| 33 | 4529726 | US Range Logo - Large | 1 | | | |
| 34 | 4522377 | Oven Door Liner 26W | 1 | | | |
| 35 | 4522407 | Door Handle End Insulator | 2 | | | |
| 36A | 4522404 | Door Handle End | 2 | 9-SEP-09 | | |
| 36B* | 4525584 | Door Handle Kit 26W US Range Oven Note: Use this Kit for units manufactured from 21-NOV-2008 to 8-SEP-2009. Kit includes items 35, 36A, 37, and fasteners. | 1 | | | |
| 36C* | 4524912 | Door Handle End, Aluminum, US Range Note: This item is No Longer Available . Use Handle Kit 4525584 (item 36B) for an unit manufactured from (dates) 21-NOV-2008 to 8-SEP-2009 (serial#) 0811100101067 (model) U36-6C-0004. | | NLA | NLA | |
| 37 | 4522644 | Door Handle 26W | 1 | | | |
| 37A | 4522789 | Insulation, Door Filler 26W | 2 | | | |
| 37B | 4522788 | Insulation, Door Brace 26W | 2 | | | |
| 38 | 1082802 | Hinge Link Rt | 1 | | | C |
| 39 | 1082803 | Hinge Link Lt | 1 | | | C |
| 40 | 4522772 | Bell Crank Assembly | 2 | | | |
| 41 | F299 | Bolt 1/4-20 x 1/2" Bell Crank | 2 | | | |
| 42 | 4522818 | Bell Crank Support Bracket | 2 | | | |
| 43 | 1005800 | Oven Door Spring | 2 | | | C |
| 44 | 4523497 | 6" Long J-Bolt (F598) | 1 | | | C |
| 45 | 4530057 | Door Spring Adjustment Bracket | 1 | | | |
| 46 | 4522770 | Kick Panel 26W | 1 | | | |
| 47 | 4524668 | Knob Assembly - Oven SIT Deg F | 1 | | | C |
| | 4524669 | Knob Assembly - Oven SIT Deg C | 1 | | | C |
| 48 | 4523081 | SIT Shield Mount | 1 | | | |
| 49 | 4523006 | SIT Oven Control | 1 | | | C |
| 50 | 1095499 | Straight Connector 7/16" | 2 | | | |
| 51 | 4523079 | SIT Shield Right | 1 | | | |
| 52 | 4523080 | SIT Shield Left | 1 | | | |
| 53 | 4523499 | SIT Shield Top | 1 | | | |
| 54 | 4523145 | Tube - SIT to Manifold | 1 | | | |
| 54A | 4520720 | Flex Tube - SIT to Manifold. Only for models with 12" griddles mounted on the left side of the range) | 1 | | | |
| 55 | 4522413 | Rack Guide RC Oven | 2 | | | |
| 56 | 4522409 | Oven Rack 26W x 22D | 3 | | | |
| 57 | 4522949 | Fire Plate RC Oven | 1 | | 27-MAY-08 | |
| | 4524459 | Fire Plate RC Oven (Used FROM May 28/2008, serial# 0805100101613) | 1 | 28-MAY-08 | | |
| 58 | 4522950 | Fire Plate Support Bracket Assembly | 1 | | | |
| 59 | 4530070 | Terminal Box | 1 | | | |
| 60 | 4530071 | Terminal Box Cover | 1 | | | |
| 61 | 3050401 | Miniature Terminal Black Assy 3-P (for 208V/240V unit) | 1 | | | |

* NOT ILLUSTRATED

RECOMMENDED STOCK PARTS

U.S. RANGE PARTS IDENTIFICATION
U Series Gas Restaurant Ranges

48" SINGLE CONVECTION OVEN & CABINET DOOR COMPONENTS

| ITEM | PART# | DESCRIPTION | QTY | FROM | UP TO | CRITICAL |
|--|--|--|-----------|-----------|-------|----------|
| 62 | G01497-1 | B/X Connector Straight 3/8" | 1 | | | |
| 63 | 1028500 | B/X Connector 90 Degrees 3/8" | 1 | | | |
| 64 | 4522990 | Corner Column Left | 1 | | | |
| 65 | 4522993 | Center Column | 1 | | | |
| 66 | 4522991 | Corner Column Right | 1 | | | |
| 67 | F298N | #10-24 x 3/8" Shoulder Bolt, Nickel Plated | 4 | | | |
| 68 | 4523935 | 48" Valve Panel (Convection) - All (8) Open Top Burners | 1 | | | |
| | 4524394 | 48" Valve Panel (Convection) - 12" Griddle (Thermostat) - R/H | 1 | | | |
| | | 48" Valve Panel (Convection) - 12" Griddle (Standard) - R/H Note: Switched from 4523935 to 4524394 (date: 02-Dec-09, serial#: 0911100101162, model: G60-6G24RR-0002) | 1 | 02-DEC-09 | | |
| | 4524396 | 48" Valve Panel (Convection) - 12" Griddle (Thermostat) - L/H | 1 | | | |
| | | 48" Valve Panel (Convection) - 12" Griddle (Standard) - L/H Note: Switched from 4523935 to 4524396 (date: 02-Dec-09, serial#: 0911100101162, model: G60-6G24RR-0002) | 1 | 02-DEC-09 | | |
| | 4524046 | 48" Valve Panel (Convection) - 24" Griddle (Thermostat) - R/H | 1 | | | |
| | | 48" Valve Panel (Convection) - 24" Griddle (Standard) - R/H Note: Switched from 4524044 to 4524046 (date: 02-Dec-09, serial#: 0911100101162, model: G60-6G24RR-0002) | 1 | 02-DEC-09 | | |
| | 4524047 | 48" Valve Panel (Convection) - 24" Griddle (Thermostat) - L/H | 1 | | | |
| | | 48" Valve Panel (Convection) - 24" Griddle (Standard) - L/H Note: Switched from 4524045 to 4524047 (date: 02-Dec-09, serial#: 0911100101162, model: G60-6G24RR-0002) | 1 | 02-DEC-09 | | |
| | 4524398 | 48" Valve Panel (Convection) - 36" Griddle (Thermostat) - R/H | 1 | | | |
| 48" Valve Panel (Convection) - 36" Griddle (Standard) - R/H Note: Switched from 4524044 to 4524398 (date: 02-Dec-09, serial#: 0911100101162, model: G60-6G24RR-0002) | | 1 | 02-DEC-09 | | | |
| 4524400 | 48" Valve Panel (Convection) - 36" Griddle (Thermostat) - L/H | 1 | | | | |
| | 48" Valve Panel (Convection) - 36" Griddle (Standard) - L/H Note: Switched from 4524045 to 4524400 (date: 02-Dec-09, serial#: 0911100101162, model: G60-6G24RR-0002) | 1 | 02-DEC-09 | | | |
| 4524402 | 48" Valve Panel (Convection) - 48" Griddle (Thermostat) | 1 | | | | |
| | 48" Valve Panel (Convection) - 48" Griddle (Standard) Note: Switched from 4524392 to 4524402 (date: 02-Dec-09, serial#: 0911100101162, model: G60-6G24RR-0002) | 1 | 02-DEC-09 | | | |
| 69 | 4523746 | 2.5" Nickel Plated Valve Panel Plug | 1 | | | |
| 70 | 4523197 | 48" Plate Rail | 1 | | | |
| 71 | 4523073 | Valve Panel End Cap Left | 1 | | | |
| 72 | 4523074 | Valve Panel End Cap Right | 1 | | | |
| 73 | 4526110 | Burner Box Filler | 2 | | | |
| 74 | 4522563 | Manifold Assembly 48" (without Fittings) | 1 | | | C |
| 75 | 4522421 | 1" Regulator - Natural Gas 4.5" WC | 1 | | | C |
| | 4522422 | 1" Regulator - Propane Gas 10" WC | | | | C |
| 76 | 4529768 | 90 Deg Elbow 3/8" Pipe to 7/16" Tube | 1 | | | |
| 77 | G02251-1 | Pressure Test Spigot | 1 | | | |
| 78 | 2203400 | 1/8" NPT Pipe Plug (Griddle/Hot tops only) - Qty varies with top configuration. | MAX 4 | | | |
| 79A | 4529764 | .187 (3/16) Dia Tubing SIT Valve to Oven Pilot - Oven on the Left | 1 | | | |

* NOT ILLUSTRATED

RECOMMENDED STOCK PARTS

**U.S. RANGE PARTS IDENTIFICATION
U Series Gas Restaurant Ranges**

48" SINGLE CONVECTION OVEN & CABINET DOOR COMPONENTS

| ITEM | PART# | DESCRIPTION | QTY | FROM | UP TO | CRITICAL |
|------|----------------|---|------|------|-------|----------|
| 79B | 4529765 | .187 (3/16) Dia Tubing SIT Valve to Oven Pilot - Oven on the Right | | | | |
| 80A | 4530485 | .437 (7/16) Dia Tubing SIT Valve to Oven Orifice Fitting - Oven on the Left | 1 | | | |
| 80B | 4530483 | .437 Dia Tubing SIT Valve to Oven Orifice Fitting - Oven on the Right | 1 | | | |
| 81 | 4522774 | Air Shield Pilot 26W | 1 | | | |
| 82 | 4522773 | Air Shield Solid 26W | 1 | | | |
| 83 | 4523052 | Capillary Guard 20W | 1 | | | |
| 84 | 4523030 | Bulb Guard | 1 | | | |
| 85 | 4523194 | Rail Support Bracket | 2 | | | |
| 86 | 1082700 | Harness Ring, Nickel Plated | 2 | | | |
| 87 | 4522400 | Trunion Bracket | 2 | | | |
| 88 | 4523087 | Grate Support Rail - Depends on top configuration (maximum quantity shown) | 2 | | | |
| 89 | 4523186 | 24" Drip Angle | 4 | | | |
| 90 | 1412300 | Vent Slide | 1 | | | |
| 91 | 1412400 | Vent Slide Housing | 1 | | | |
| 92 | 4522996 | Tie Strap Front | 1 | | | |
| 93 | 4522995 | Tie Strap Top | 1 | | | |
| 94 | 4524635 | Veneer Back S/S - 48" RC Oven (Optional) | 1 | | | |
| 95 | 4524629 | Extension RC S/S Veneer Back (Optional) | 2 | | | |
| 96 | 4524633 | Veneer Back Support - RC Oven (Optional) | 1 | | | |
| 97 | 4523138 | RC Motor Patch 48" Range | 1 | | | |
| 98 | 2519799 | Motor Guard Assembly | 1 | | | |
| 99 | G01265-1-7 | Storage Base - Flue/Oven Tube Cover | 1 | | | |
| 100 | F16 | SIT to Manifold Mounting Bolts (#10-24 Round Head x 2-1/2" Long) | 2 | | | |
| 101 | F312 | SIT to Manifold K-Lock Nut (#14-24) | 2 | | | |
| 102 | 4524280 | Wire Channel, Convection Oven | 1 | | | |
| 103 | 4523027 | Retention Bracket, Convection Oven | 1 | | | |
| 104 | 4523222 | Switch Box, Convection Oven | 1 | | | |
| 105 | 4524317 | Extension Box - C, Convection Oven | 1 | | | |
| 106 | 1358900 | Switch (Power Switch ON/OFF/ON), Convection Oven | 1 | | | C |
| 107 | 1309201 | Piezo Spark Ignitor | 1 | | | C |
| 108 | 4518193 | Piezo Mounting Bracket | 1 | | | |
| 109 | CK2200211 | 12" High Tension Wire Leads | 1 | | | |
| 110 | G03883R | Thermoflex Insulating Sleeve (sold by the foot - 1 foot required) | 1 FT | | | |
| 111 | 4522932 | Door Switch Cover, Convection Oven | 1 | | | |
| 112 | 1019600 | Door Switch, Convection Oven | 1 | | | C |
| 113 | G01503-16 | 1/4-20 x 1-3/4" Long Weld Stud | 1 | | | |
| 114 | F86 | 1/4 - 20 K-Lock Nut | 1 | | | |
| 115 | 4524808 | Hinge - RC Door Switch | 1 | | | |
| 116 | F599 | #6-32 x 1-1/2" Machine Screw | 1 | | | |
| 117 | F590 | #6-32 K-Lock Nut | 2 | | | |
| 118 | 4526164 | Air Baffle Kit, G Series, Convection Oven Note: Kit includes items 119, 120, fasteners, and instructions. | 1 | | | |
| 119 | 4526160 | Air Baffle Support Bracket Assy with Cage Nuts - G Series | 1 | | | |
| 120 | 4526161 | Air Baffle | 1 | | | |

* NOT ILLUSTRATED

RECOMMENDED STOCK PARTS

U.S. RANGE PARTS IDENTIFICATION
U Series Gas Restaurant Ranges

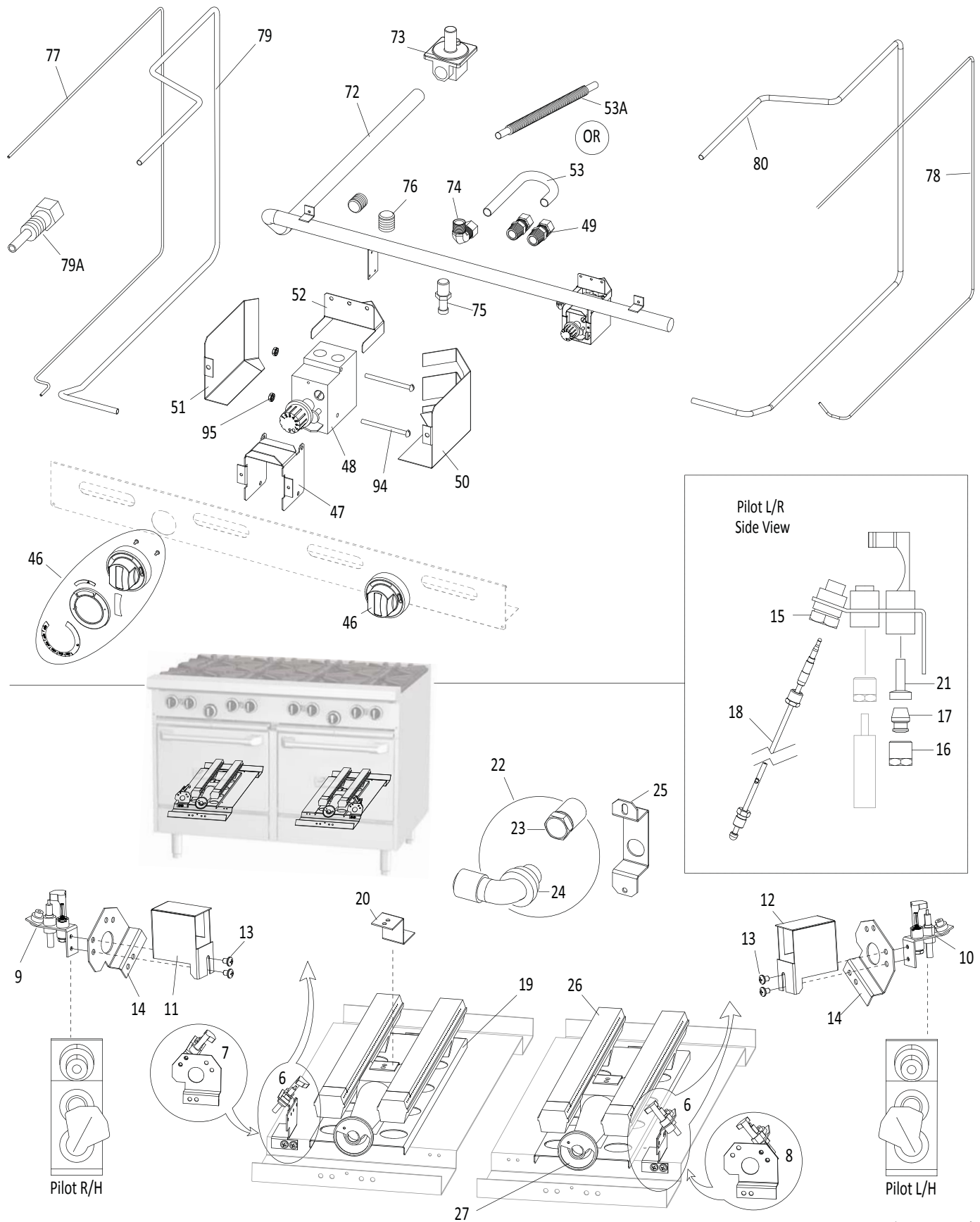
48" SINGLE CONVECTION OVEN & CABINET DOOR COMPONENTS

| ITEM | PART# | DESCRIPTION | QTY | FROM | UP TO | CRITICAL |
|---|----------------|---|-----|-----------|-------|----------|
| 121 | 2520100 | Fan Protector Screen | 1 | | | |
| 122 | 4512234 | Burner Support Track | 1 | | | |
| 123 | 4515043 | RC Motor Assembly Kit 115V Note: Kit includes items 124A, 125 - 129. | 1 | | | C |
| 124A | 2485801 | RC Motor 1/3 HP, 115V, 60Hz | 1 | | | C |
| 124B | 2485800 | RC Motor 1/3 HP, 208/240V, 50/60 Hz | 1 | | | C |
| 125 | G01503-3 | 1/4 - 20 Weld Nut | 8 | | | |
| 126 | 3013301 | Motor Mount Pocket | 1 | | | |
| 127 | 1669101 | Motor Pocket Insulation Board | 1 | | | |
| 128 | 3013401 | Motor Mount Plate | 1 | | | |
| 129 | G02952-01P | Blower Wheel Assembly (Plated) | 1 | | | |
| 130 | 4523398 | Cord & Plug 6 Ft. (3/4 GA, 15 AMP, SJ00W) | 1 | | | |
| 131 | 4527220 | SIT Pilot Tube Connection | 1 | | | |
| 132 | 2200708 | Electrode #0.915.025 | 1 | | | C |
| 133 | 2200707 | Nut Electrode #0.974.144 | 1 | | | C |
| LEGS & CASTERS | | | | | | |
| 200 | 4525074 | 6" Adjustable Leg, S/S | 4 | | | |
| 201 | 4524104 | 6" Flanged Leg (Optional) | 4 | | | |
| 202 | 4526324 | 6" Caster Package, non-adjustable (Optional) Note: Includes items 204, 205, 208, and installation instructions. | 1 | | | |
| 203 | 4526323 | 6" Caster Package, adjustable (Optional) Note: Includes items 206, 207, 208, and installation instructions. | 1 | | | |
| 204 | 4522417 | 6" Caster No Brake, 3/4-10 mount, non-adjustable | 2 | | | |
| 205 | 4522916 | 6" Caster With Brake, 3/4-10 mount, non-adjustable | 2 | | | |
| 206 | 4525597 | 6" Caster No Brake, 3/4-10 mount, adjustable | 2 | | | |
| 207 | 4525598 | 6" Caster With Brake, 3/4-10 mount, adjustable | 2 | | | |
| 208 | 4526157 | Caster Washer Note: Used FROM serial#: 0901100100838 / date: 20-Jan-09. | 4 | 20-JAN-09 | | |
| 209 | 4526325 | Caster Washer Kit | 1 | | | |
| CABINET DOOR COMPONENTS - 15" STORAGE BASE MODEL | | | | | | |
| 300 | 4524309 | Door Panel Outer - 15" Storage Base | 1 | | | |
| 301 | 4524310 | Door Panel Inner - 15" Storage Base | 1 | | | |
| 302 | F557 | 5/32" Rivet - S/S (Grip Range .039" - .118") | 12 | | | |
| 303 | 078056-5 | Flange Bearing/Bushing | 2 | | | |
| 304 | 2530900 | 0.375" Hole Plug | 2 | | | |
| 305 | 3031900 | Storage Door Handle | 1 | | | |
| 306 | 4524288 | Door Hinge Assembly - Right | 1 | | | |
| 307 | 4524287 | Door Hinge Assembly - Left | 1 | | | |
| 308 | 4524308 | Door Stop - 15"/24" Door, Standard Base | 1 | | | |
| 309 | F60 | Screw-10AX 5/8INTLock Quad Pan | 4 | | | |
| 310 | 078174-1 | Magnetic Door Catch | 1 | | | |
| 311 | 4529120 | 15" Complete Door Kit Assembly, G/U Series Note: Assembly includes items 300 - 310 | 1 | | | |

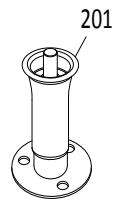
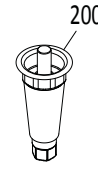
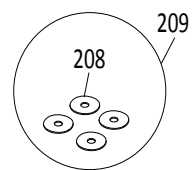
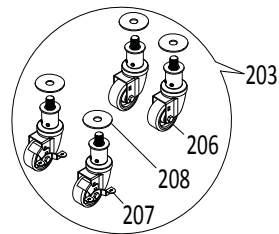
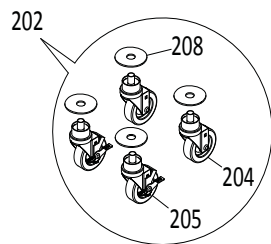
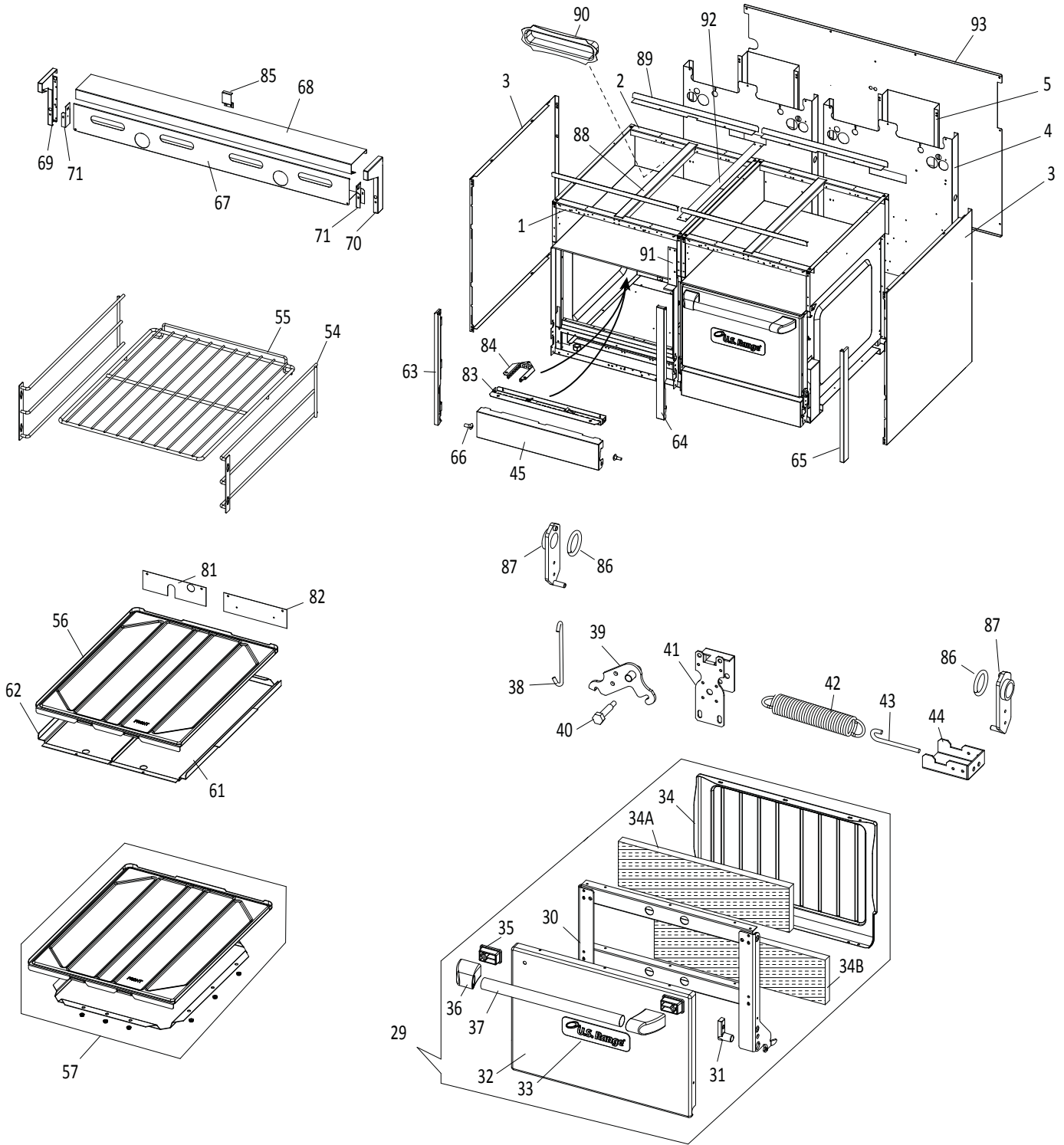
* NOT ILLUSTRATED

RECOMMENDED STOCK PARTS

Blank Page



48" DOUBLE SPACE SAVER OVENS COMPONENTS (2 OF 2)



48inch LL Oven Section 2of2

U.S. RANGE PARTS IDENTIFICATION

U Series Gas Restaurant Ranges

48" DOUBLE SPACE SAVER OVENS COMPONENTS

| ITEM | PART# | DESCRIPTION | PER OVEN | WHOLE UNIT | FROM | UP TO | CRITICAL |
|------|-----------------|---|----------|------------|-----------|-----------|----------|
| 1 | 4523184 | 24" Main Channel Front | 1 | 2 | | | |
| 2 | 4525529 | 24" Main Channel Rear | 1 | 2 | | | |
| 3 | 4522764 | Body Side Lt/Rt | 1 | 2 | | | |
| 4 | 4523041 | Main Back 24" Oven | 1 | 2 | | | |
| 5 | 4522762 | Flue Riser Std Oven | 1 | 2 | | | |
| 6 | | Left/Right Pilot Assembly and Left/Right Pilot Bracket Note: Used UP TO (date) Jan 29, 2008 / (serial#) 0801100101981. When servicing, IMPORTANT to replace the pilot assemblies and brackets with Range Oven Pilot Kits (see item 7A - 7B). | | | | 29-JAN-08 | |
| 7 | 4524826 | Range Oven Pilot Kit Natural Gas, on L/H Side of Burner (for the oven on the Left) | | | 30-JAN-08 | | |
| | 4524828 | Range Oven Pilot Kit Propane Gas, on L/H Side of Burner (for the oven on the Left) | | | 30-JAN-08 | | |
| 8 | 4524825 | Range Oven Pilot Kit Natural Gas, on R/H Side of Burner (for the oven on the Right) | | | 30-JAN-08 | | |
| | 4524827 | Range Oven Pilot Kit Propane Gas, on R/H Side of Burner (for the oven on the Right) | | | 30-JAN-08 | | |
| 9 | 2200700 | Pilot R/H #0.145.010, for Oven on the Left (Mounted on L/H Side of Burner) | 1 | 1 | | | C |
| 10 | 2200701 | Pilot L/H #0.145.007 for Oven on the Right (Mounted on R/H Side of Burner) | 1 | 1 | | | C |
| 11 | 4525285 | Oven Pilot Shield L/H, for 2200700 Pilot R/H Note: Used FROM (serial#) 0806100100492 / (model) G36-6R-0022. | 1 | 1 | | | |
| 12 | 4525300 | G/U Oven Pilot Shield R/H for 2200701 Pilot L/H Note: Used FROM (serial#) 0806100100492 / (model) G36-6R-0022 | 1 | 1 | | | |
| 13 | F440 | #10-32 x 1/4" Screw | | | | | |
| 14 | 4524677 | Pilot Bracket | 1 | 2 | | | |
| 15 | 2200706 | Thermocouple Retaining Nut | 1 | 2 | | | C |
| 16 | 2200704 | 3/16" Compression Nut - Oven Pilot | 1 | 2 | | | C |
| 17 | 2200705 | 3/16" Ferrule - Oven Pilot | 1 | 2 | | | C |
| 18 | 4523506 | Thermocouple Oven 60" | 1 | 2 | | | C |
| 19 | 4522763 | Oven Burner Rest | 1 | 2 | | | |
| 20 | 2512200 | Burner Hold Down Bracket | 1 | 2 | | | |
| 21 | 2200702 | Pilot Orifice #32 Natural Gas | 1 | 2 | | | C |
| | 2200703 | Pilot Orifice #23 Propane | 1 | 2 | | | C |
| 22 | 1415533F | Oven Orifice Fitting with #33 Hood (Natural) | 1 | 2 | | | C |
| | 1415551F | Oven Orifice Fitting with #51 Hood (Propane) | 1 | 2 | | | C |
| 23 | M9-33 | Large Orifice #33 Natural Gas | 1 | 2 | | | C |
| | M9-51 | Large Orifice #51 Propane | 1 | 2 | | | C |
| 24 | 14155XX | Oven Orifice Fitting (without orifice) | 1 | 2 | | | C |
| 25 | 4522781 | Oven Orifice Bracket | 1 | 2 | | | |
| 26 | 4525464 | H - Burner with Air Shutter Assembly (Partially Ported) Note: Assembly includes a cast iron H-burner (p/n 1014901) and an air shutter (item 27). | 1 | 2 | | | |
| 27 | 2512100 | Oven Burner Air Shutter (included in burner asm item# 26) | 1 | 2 | | | |
| 29 | 4525153 | UR Range 20W Oven Door Assembly | 1 | 2 | | | |

* NOT ILLUSTRATED

RECOMMENDED STOCK PARTS

U.S. RANGE PARTS IDENTIFICATION

U Series Gas Restaurant Ranges

48" DOUBLE SPACE SAVER OVENS COMPONENTS

| ITEM | PART# | DESCRIPTION | PER OVEN | WHOLE UNIT | FROM | UP TO | CRITICAL |
|------|----------------|--|----------|------------|------------|------------|----------|
| 30 | 4523125 | Door Frame Assembly 20W | 1 | 2 | | | |
| 31 | 1082500 | Oven Door Trunion | 2 | 4 | | | |
| 32 | 4522738 | Oven Door Panel 20W (with holes) | 1 | 2 | | | |
| 33 | 4529726 | US Range Logo, Large | 1 | 2 | | | |
| 34 | 4522378 | Oven Door Liner 20W | 1 | 2 | | | |
| 34A | 4522791 | Insulation Door Filler 20W | 2 | 4 | | | |
| 34B | 4522790 | Insulation Door Brace 20W | 2 | 4 | | | |
| 35 | 4522407 | Door Handle End Insulator | 2 | 4 | | | |
| 36A | 4522404 | Door Handle End | 2 | 4 | 9-SEP-09 | | |
| 36B* | 4525585 | Door Handle Kit 20W US Range Oven Note: Use this Kit for units manufactured from 21-NOV-2008 to 8-SEP-2009. Kit includes items 35, 36A, 37, and fasteners. | 1 | 2 | | | |
| 36C* | 4524912 | Door Handle End, Aluminum, US Range Note: This item is No Longer Available . Use Handle Kit 4525585 (item 36B) for an unit manufactured from (dates) 21-NOV-2008 to 8-SEP-2009 / (serial#) 0811100101067 / (model) U36-6C-0004. | | | NLA | NLA | |
| 37 | 4522645 | Door Handle 24" 1.250 dia. | 1 | 2 | | | |
| 38 | 1082802 | Hinge Link Rt | 1 | 2 | | | C |
| 39 | 4522772 | Bell Crank Assembly | 1 | 2 | | | |
| 40 | F299 | Bolt 1/4-20 x 1/2" Bell Crank | 1 | 2 | | | |
| 41 | 4522818 | Bell Crank Support Bracket | 1 | 2 | | | |
| 42 | 1005800 | Oven Door Spring | 1 | 2 | | | C |
| 43 | 9004701 | Oven Door Spring Hook | 1 | 2 | | | C |
| 44 | 4523654 | Spring Support Bracket (20W Oven) | 1 | 2 | | | |
| 45 | 4523039 | Kick Panel 20W | 1 | 2 | | | |
| 46 | 4524668 | Knob Assembly - Oven SIT Deg F | 1 | 2 | | | C |
| | 4524669 | Knob Assembly - Oven SIT Deg C | 1 | 2 | | | C |
| 47 | 4523081 | SIT Shield Mount | 1 | 2 | | | |
| 48 | 4523006 | SIT Oven Control | 1 | 2 | | | C |
| 49 | 1095499 | Straight Connector 7/16" | 2 | 4 | | | |
| 50 | 4523079 | SIT Shield Right | 1 | 2 | | | |
| 51 | 4523080 | SIT Shield Left | 1 | 2 | | | |
| 52 | 4523499 | SIT Shield Top | 1 | 2 | | | |
| 53 | 4523145 | Tube - Sit To Manifold | 1 | 2 | | | |
| 53A | 4520720 | 7/16" Flexible Tubing Sit To Manifold NOTE: Applicable Only for Models with 12"Griddles Mounted on the L/H Side of the Range. | | | | | |
| 54 | 4522411 | Rack Guide 26D | 2 | 4 | | | |
| 55 | 4522410 | Oven Rack 20W x 26D | 1 | 2 | | | |
| 56 | 4522384 | Oven Hearth 20W x 26D (Enamelled) Note: Used FROM May 3/2008 / serial# 0804100101527 | 1 | 2 | 3-MAY-08 | | |
| 57 | 4523053 | Oven Hearth Assembly 20W x 26D Note: Used UP TO serial# 0804100101527 / date 2-May-08. Assembly includes an oven hearth with studs (p/n 4523326), an oven hearth baffle (p/n 4523054), and pal nuts (p/n F95). Components listed for reference only; not sold separately. | 1 | 2 | | 2-MAY-08 | |

* NOT ILLUSTRATED

RECOMMENDED STOCK PARTS

U.S. RANGE PARTS IDENTIFICATION

U Series Gas Restaurant Ranges

48" DOUBLE SPACE SAVER OVENS COMPONENTS

| ITEM | PART# | DESCRIPTION | PER OVEN | WHOLE UNIT | FROM | UP TO | CRITICAL |
|---|----------------|---|----------|------------|-----------|-----------|----------|
| 61 | 4525084 | Baffle Pan 20W R/H | 1 | 2 | 3-MAY-08 | 12-SEP-08 | |
| | 4525552 | Baffle Pan 20W R/H, Used FROM serial# 0809100100283 | 1 | 2 | 12-SEP-08 | | |
| 62 | 4525085 | Baffle Pan 20W L/H | 1 | 2 | 3-MAY-08 | 12-SEP-08 | |
| | 4525551 | Baffle Pan 20W L/H, Used FROM serial# 0809100100283 | 1 | 2 | 12-SEP-08 | | |
| 63 | 4522990 | Corner Column Left | | 1 | | | |
| 64 | 4522993 | Center Column | | 1 | | | |
| 65 | 4522991 | Corner Column Right | | 1 | | | |
| 66 | F298N | Bolt, #10-24 x 3/8" Shoulder Truss HD, Nickel Plated | 4 | 8 | | | |
| 67 | 4523204 | 48" Valve Panel - All (8) Open Top Burners | | 1 | | | |
| | 4524393 | 48" Valve Panel - 12" Griddle (Thermostat) - R/H | | 1 | | | |
| | | 48" Valve Panel - 12" Griddle (Standard) - R/H Note: Switched from 4523204 to 4524393 (date: 02-Dec-09, serial#: 0911100101162, model: G60-6G24RR-0002) | | 1 | 02-DEC-09 | | |
| | 4524395 | 48" Valve Panel - 12" Griddle (Thermostat) - L/H | | 1 | | | |
| | | 48" Valve Panel - 12" Griddle (Standard) - L/H Note: Switched from 4523204 to 4524395 (date: 02-Dec-09, serial#: 0911100101162, model: G60-6G24RR-0002) | | 1 | 02-DEC-09 | | |
| | 4523721 | 48" Valve Panel - 24" Griddle (Thermostat) - R/H | | 1 | | | |
| | | 48" Valve Panel - 24" Griddle (Standard) - R/H Note: Switched from 4523719 to 4523721 (date: 02-Dec-09, serial#: 0911100101162, model: G60-6G24RR-0002) | | 1 | 02-DEC-09 | | |
| | 4523722 | 48" Valve Panel - 24" Griddle (Thermostat) - L/H | | 1 | | | |
| | | 48" Valve Panel - 24" Griddle (Standard) - L/H Note: Switched from 4523720 to 4523722 (date: 02-Dec-09, serial#: 0911100101162, model: G60-6G24RR-0002) | | 1 | 02-DEC-09 | | |
| | 4524397 | 48" Valve Panel - 36" Griddle (Thermostat) - R/H | | 1 | | | |
| | | 48" Valve Panel - 36" Griddle (Standard) - R/H Note: Switched from 4523719 to 4524397 (date: 02-Dec-09, serial#: 0911100101162, model: G60-6G24RR-0002) | | 1 | 02-DEC-09 | | |
| | 4524399 | 48" Valve Panel - 36" Griddle (Thermostat) - L/H | | 1 | | | |
| | | 48" Valve Panel - 36" Griddle (Standard) - L/H Note: Switched from 4523720 to 4524399 (date: 02-Dec-09, serial#: 0911100101162, model: G60-6G24RR-0002) | | 1 | 02-DEC-09 | | |
| | 4524401 | 48" Valve Panel - 48" Griddle (Thermostat) | | 1 | | | |
| 48" Valve Panel - 48" Griddle (Standard) Note: Switched from 4524391 to 4524401 (date: 02-Dec-09, serial#: 0911100101162, model: G60-6G24RR-0002) | | | 1 | 02-DEC-09 | | | |
| 68 | 4523197 | 48" Plate Rail | | 1 | | | |
| 69 | 4523073 | Valve Panel End Cap Left | | 1 | | | |
| 70 | 4523074 | Valve Panel End Cap Right | | 1 | | | |
| 71 | 4526110 | Burner Box Filler | | 2 | | | |
| 72 | 4522563 | Manifold Assembly 48" (without Fittings) | | 1 | | | C |
| 73 | 4522421 | 1" Regulator - Natural Gas 4.5" WC | | 1 | | | C |
| | 4522422 | 1" Regulator - Propane Gas 10" WC | | 1 | | | C |
| 74 | 4529768 | 90 Deg Elbow 3/8" Pipe to 7/16" Tube | 1 | 2 | | | |
| 75 | G02251-1 | Pressure Test Spigot | | 1 | | | |
| 76 | 2203400 | 1/8" NPT Pipe Plug (Griddle/Hot tops only) - Qty varies with top configuration. | | MAX 2 | | | |

* NOT ILLUSTRATED

RECOMMENDED STOCK PARTS

U.S. RANGE PARTS IDENTIFICATION

U Series Gas Restaurant Ranges

48" DOUBLE SPACE SAVER OVENS COMPONENTS

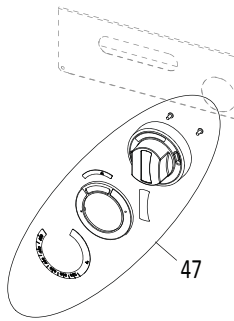
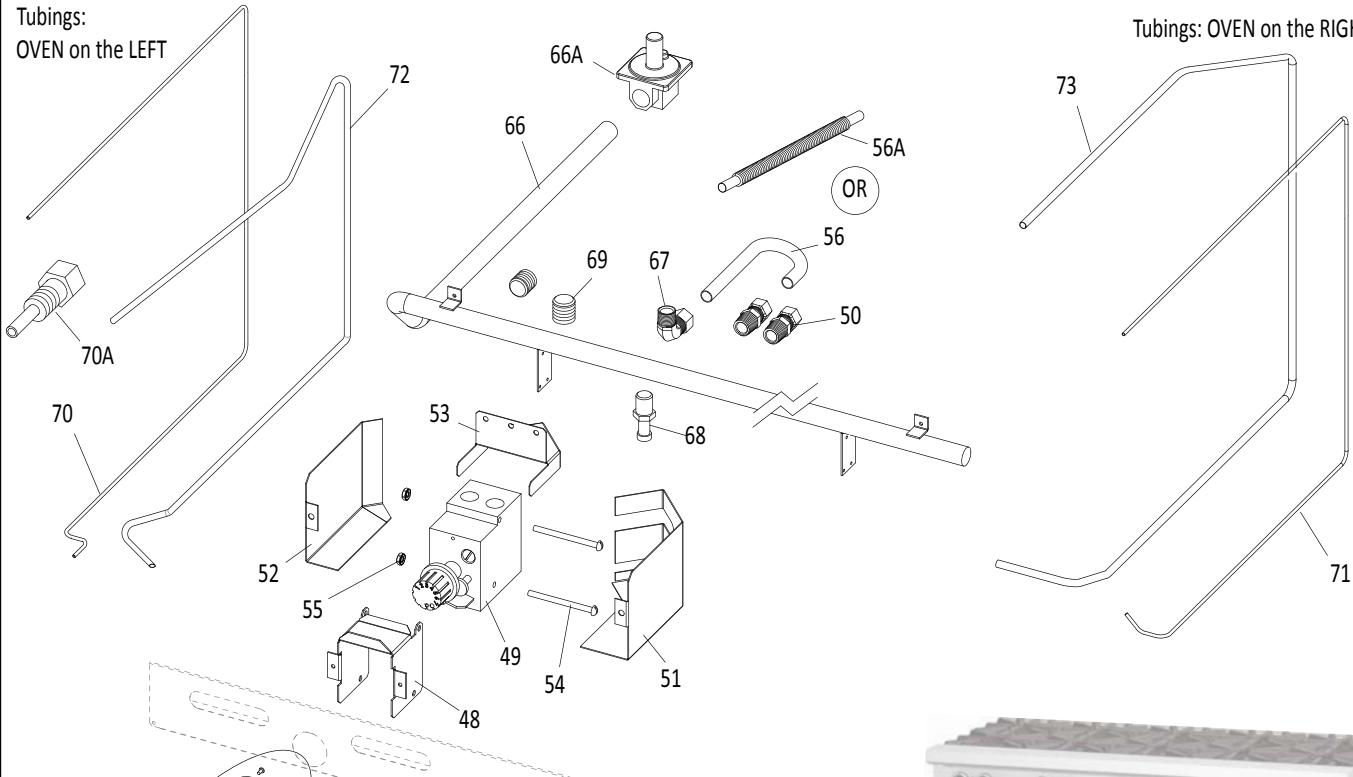
| ITEM | PART# | DESCRIPTION | PER OVEN | WHOLE UNIT | FROM | UP TO | CRITICAL |
|---------------------------|---------|---|----------|------------|-----------|-------|----------|
| 77 | 4523142 | .187 (3/16) Dia Tubing SIT Valve to Oven Pilot - Oven on the Left | | 1 | | | |
| 78 | 4523180 | .187 (3/16) Dia Tubing SIT Valve to Oven Pilot - Oven on the Right | | 1 | | | |
| 79 | 4530485 | .437 (7/16) Dia Tubing SIT Valve to Oven Orifice Fitting for Oven on the Left | | 1 | | | |
| 79A | 4527220 | SIT Pilot Tube Connection | 1 | 2 | | | |
| 80 | 4530484 | .437 (7/16) Dia Tubing SIT Valve to Oven Orifice Fitting for Oven on the Right | | 1 | | | |
| 81 | 4523043 | Air Shield Pilot 20W | 1 | 2 | | | |
| 82 | 4523042 | Air Shield Solid 20W | 1 | 2 | | | |
| 83 | 4523052 | Capillary Guard 20W | 1 | 2 | | | |
| 84 | 4523030 | Bulb Guard | 1 | 2 | | | |
| 85 | 4523194 | Rail Support Bracket | | 1 | | | |
| 86 | 1082700 | Harness Ring, Nickel Plated | 2 | 4 | | | |
| 87 | 4522400 | Trunion Bracket | 2 | 4 | | | |
| 88 | 4523087 | Grate Support Rail. Qty varies with top configuration. | | MAX 2 | | | |
| 89 | 4523186 | 24" Drip Angle | 2 | 4 | | | |
| 90 | 1005110 | Flue Collar | 1 | 2 | | | |
| 91 | 4522996 | Tie Strap Front | | 1 | | | |
| 92 | 4522995 | Tie Strap Top | | 1 | | | |
| 93 | 4524634 | Veneer Back S/S - 48" Standard Oven (Optional) | | 1 | | | |
| 94 | F16 | SIT to Manifold Mounting Bolts (#10-24 Round Head x 2-1/2" Long) | 2 | 4 | | | |
| 95 | F312 | SIT to Manifold Mounting Lock Nut (#10-24, K-Lock Nut) | 2 | 4 | | | |
| LEGS & CASTERS | | | | | | | |
| 200 | 4525074 | 6" Adjustable Leg, S/S | | 4 | | | |
| 201 | 4524104 | 6" Flanged Leg (Optional) | | 4 | | | |
| 202 | 4526324 | 6" Caster Package, non-adjustable (Optional) Note: Includes items 204, 205, 208, and installation instructions. | | 1 | | | |
| 203 | 4526323 | 6" Caster Package, adjustable (Optional) Note: Includes items 206, 207, 208, and installation instructions. | | 1 | | | |
| 204 | 4522417 | 6" Caster No Brake, 3/4-10 mount, non-adjustable | | 2 | | | |
| 205 | 4522916 | 6" Caster With Brake, 3/4-10 mount, non-adjustable | | 2 | | | |
| 206 | 4525597 | 6" Caster No Brake, 3/4-10 mount, adjustable | | 2 | | | |
| 207 | 4525598 | 6" Caster With Brake, 3/4-10 mount, adjustable | | 2 | | | |
| 208 | 4526157 | Caster Washer Note: Used FROM serial#: 0901100100838 / date: 20-Jan-09. | | 4 | 20-JAN-09 | | |
| 209 | 4526325 | Caster Washer Kit | | 1 | | | |

* NOT ILLUSTRATED

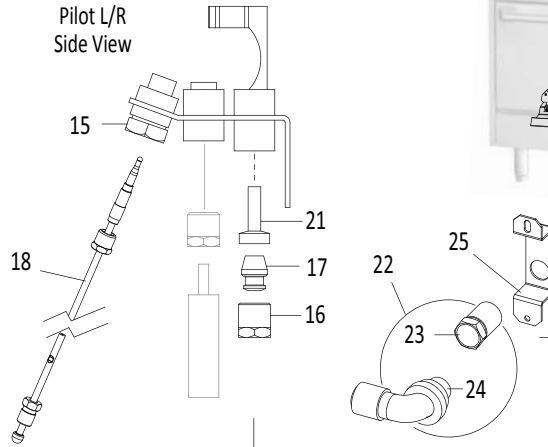
RECOMMENDED STOCK PARTS

Tubings:
OVEN on the LEFT

Tubings: OVEN on the RIGHT

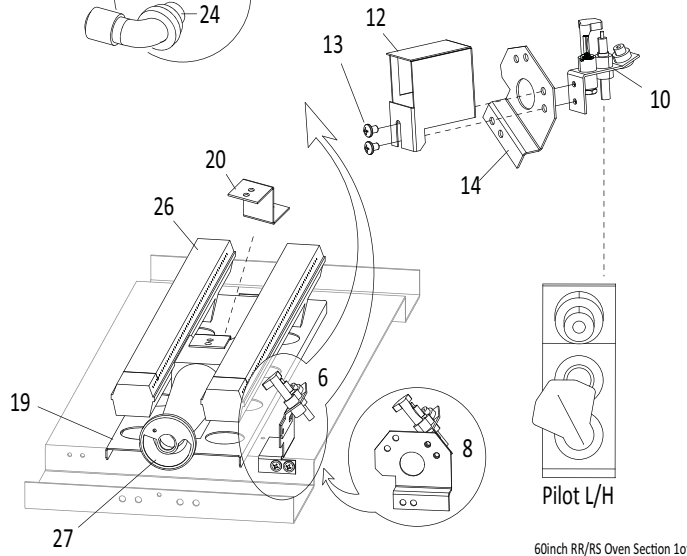
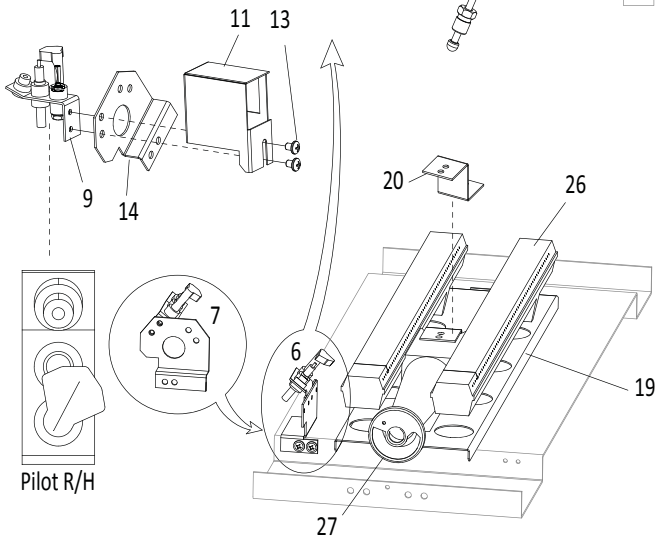


Pilot L/R
Side View



OVEN on the LEFT

OVEN on the RIGHT



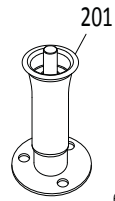
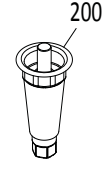
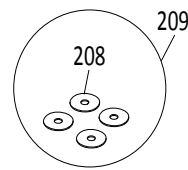
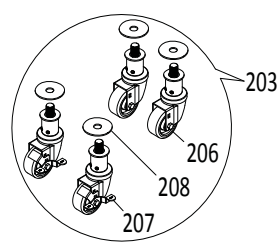
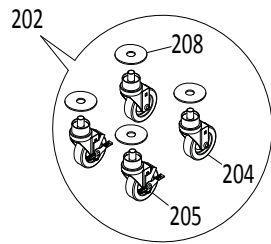
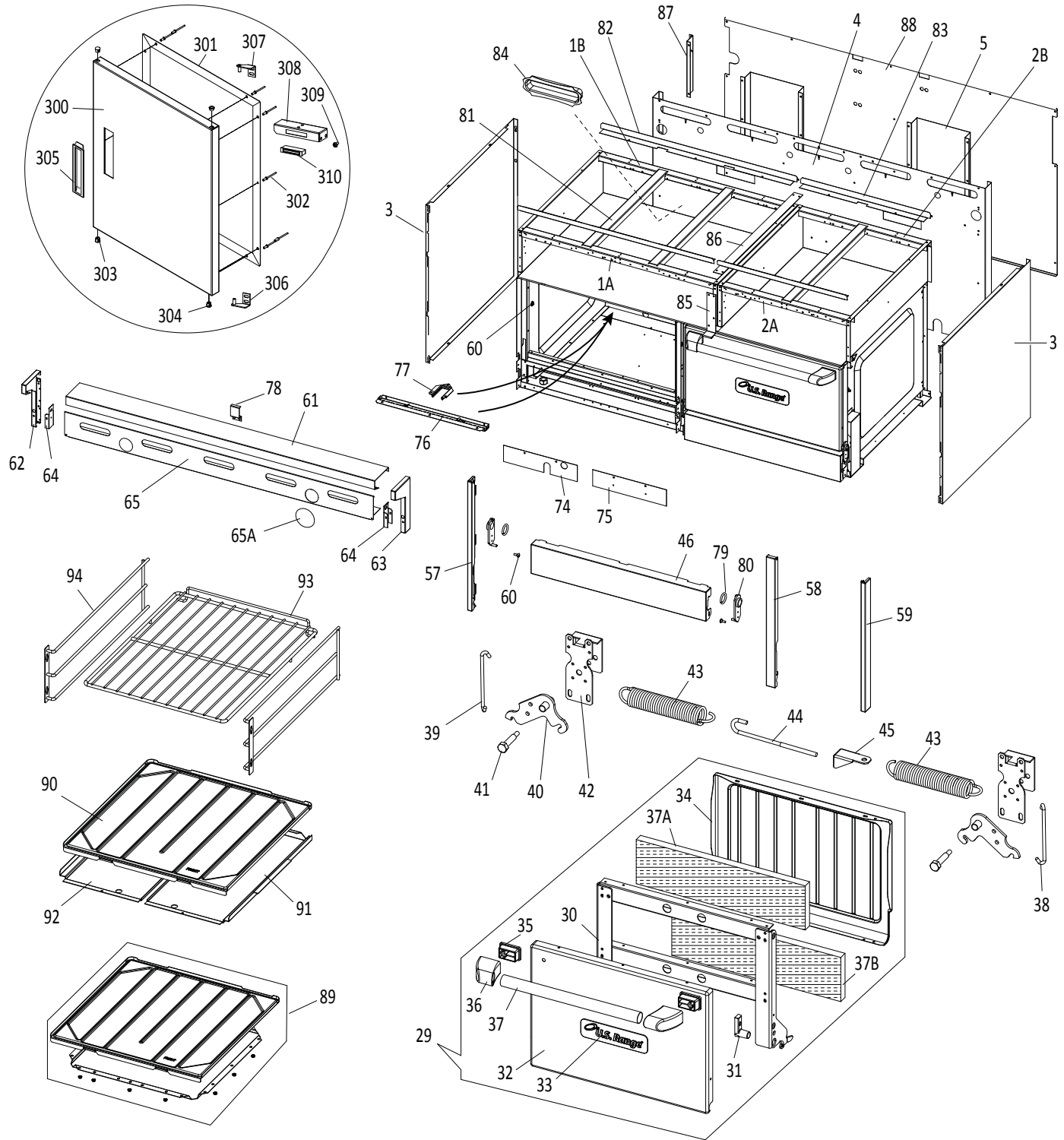
Pilot R/H

Pilot L/H

60inch RR/RS Oven Section 1of2

U Series Gas Restaurant Ranges

60" SINGLE OR DOUBLE STANDARD OVEN(S) / CABINET DOOR (2 OF 2)



60inch RR/RS Oven Section 2of2

**U.S. RANGE PARTS IDENTIFICATION
U Series Gas Restaurant Ranges**

60" SINGLE OR DOUBLE STANDARD OVEN(S) / CABINET DOOR COMPONENTS

| ITEM | PART# | DESCRIPTION | SINGLE OVEN | DOUBLE OVENS | FROM | UP TO | CRITICAL |
|------|-----------------|---|-------------|--------------|-----------|-----------|----------|
| 1A | 4523068 | 36" Main Channel – Front | 1 | 1 | | | |
| 1B | 4525530 | 36" Main Channel – Rear | 1 | 1 | | | |
| 2A | 4523184 | 24" Main Channel – Front | 1 | 1 | | | |
| 2B | 4525529 | 24" Main Channel – Rear | 1 | 1 | | | |
| 3 | 4522764 | Body Side Lt/Rt | 2 | 2 | | | |
| 4 | 4522994 | Main Back for Double Standard Ovens / Storage & One Std Oven on Lt or Rt. | 1 | 1 | | | |
| 5 | 4522762 | Flue Riser Standard Oven | 1 | 2 | | | |
| 6 | | Right/Left Pilot Assembly and Right/Left Pilot Bracket Note: Used UP TO (date) Jan 29, 2008 / (serial#) 0801100101981. When servicing, IMPORTANT to replace the pilot assemblies and brackets with Range Oven Pilot Kits (see items 7 and 8). | | | | 29-JAN-08 | |
| 7 | 4524826 | Range Oven Pilot Kit Natural Gas, on L/H Side of Burner (for the oven on the Left) | 1 | 1 | 30-JAN-08 | | |
| | 4524828 | Range Oven Pilot Kit Propane Gas, on L/H Side of Burner (for the oven on the Left) | 1 | 1 | 30-JAN-08 | | |
| 8 | 4524825 | Range Oven Pilot Kit Nat Gas on R/H Side of Burner (Oven on Right) | 1 | 1 | 30-JAN-08 | | |
| | 4524827 | Range Oven Pilot Kit Pro Gas on R/H Side of Burner (Oven on Right) | 1 | 1 | 30-JAN-08 | | |
| 9 | 2200700 | Pilot R/H #0.145.010, for Oven on the Left (Mounted on L/H Side of Burner) | 1 | 1 | 12-JUN-08 | | C |
| 10 | 2200701 | Pilot L/H #0.145.007, for Oven on the Right (Mounted on R/H Side of Burner) | 1 | 1 | 12-JUN-08 | | C |
| 11 | 4525285 | Oven Pilot Shield L/H, for 2200700 Pilot R/H Note: Used FROM (serial#) 0806100100492 / (model) G36-6R-0022. | 1 | 1 | 12-JUN-08 | | |
| 12 | 4525300 | G/U Oven Pilot Shield R/H, for 2200701 Pilot L/H Note: Used FROM (serial#) 0806100100492 / (model) G36-6R-0022. | 1 | 1 | 12-JUN-08 | | |
| 13 | F440 | #10-32 x 1/4" Screw | | | | | |
| 14 | 4524677 | Pilot Bracket Note: Used FROM (serial#) 0801100101981. | 1 | 2 | 30-JAN-08 | | |
| 15 | 2200706 | Thermocouple Retaining Nut | 1 | 2 | | | C |
| 16 | 2200704 | 3/16" Compression Nut - Oven Pilot | 1 | 2 | | | C |
| 17 | 2200705 | 3/16" Ferrule - Oven Pilot | 1 | 2 | | | C |
| 18 | 4523506 | Thermocouple Oven 60" | 1 | 2 | | | C |
| 19 | 4522763 | Oven Burner Rest | 1 | 2 | | | |
| 20 | 2512200 | Burner Hold Down Bracket | 1 | 2 | | | |
| 21 | 2200702 | Pilot Orifice #32 Natural Gas | 1 | 2 | | | C |
| | 2200703 | Pilot Orifice #23 Propane | 1 | 2 | | | C |
| 22 | 1415530F | Oven Orifice Fitting w/#30 Hood (Natural Gas) | 1 | 2 | | | C |
| | 1415550F | Oven Orifice Fitting w/#50 Hood (Propane) | 1 | 2 | | | C |
| 23 | M9-30 | Large Orifice #30 Natural Gas | 1 | 2 | | | C |
| | M9-50 | Large Orifice #50 Propane | 1 | 2 | | | C |
| 24 | 14155XX | Oven Orifice Fitting (without orifice) | 1 | 2 | | | C |
| 25 | 4522781 | Orifice Bracket, Oven | 1 | 2 | | | |

* NOT ILLUSTRATED

RECOMMENDED STOCK PARTS

U.S. RANGE PARTS IDENTIFICATION
U Series Gas Restaurant Ranges

60" SINGLE OR DOUBLE STANDARD OVEN(S) / CABINET DOOR COMPONENTS

| ITEM | PART# | DESCRIPTION | SINGLE OVEN | DOUBLE OVENS | FROM | UP TO | CRITICAL |
|------|----------------|--|-------------|--------------|----------|-------|----------|
| 26 | 4525464 | H - Burner with Air Shutter Assembly (Partially Ported) Note: Assembly includes a cast iron H-burner (p/n 1014901) and an air shutter (item 27). | 1 | 2 | | | |
| 27 | 2512100 | Oven Burner Air Shutter (included in burner asm item# 26) | 1 | 2 | | | |
| 29 | 4525052 | US Range 26W Oven Door Assembly | 1 | 2 | | | |
| 30 | 4522769 | Door Frame Assembly 26W | 1 | 2 | | | |
| 31 | 1082500 | Oven Door Trunion | 2 | 4 | | | |
| 32 | 4522737 | Oven Door Panel 26W (with holes) | 1 | 2 | | | |
| 33 | 4529726 | US Range Logo - Large | 1 | 2 | | | |
| 34 | 4522377 | Oven Door Liner 26W | 1 | 2 | | | |
| 35 | 4522407 | Door Handle End Insulator | 2 | 4 | | | |
| 36A | 4522404 | Door Handle End | 2 | 4 | 9-SEP-09 | | |
| 36B* | 4525584 | Door Handle Kit 26W US Range Oven Note: Use this Kit for units manufactured from 21-NOV-2008 to 8-SEP-2009. Kit includes items 35, 36A, 37, and fasteners. | 1 | 2 | | | |
| 36C* | 4524912 | Door Handle End, Aluminum, US Range Note: This item is No Longer Available . Use Handle Kit 4525584 (item 36B) for an unit manufactured from (dates) 21-NOV-2008 to 8-SEP-2009 (serial#) 0811100101067 (model) U36-6C-0004. | | | NLA | NLA | |
| 37 | 4522644 | Door Handle, 26W | 1 | 2 | | | |
| 37A | 4522789 | Insulation, Door Filler 26W | 2 | 4 | | | |
| 37B | 4522788 | Insulation, Door Brace 26W | 2 | 4 | | | |
| 38 | 1082802 | Hinge Link Rt | 1 | 2 | | | C |
| 39 | 1082803 | Hinge Link Lt | 1 | 2 | | | C |
| 40 | 4522772 | Bell Crank Assembly | 2 | 4 | | | |
| 41 | F299 | Bolt 1/4-20 x 1/2" Bell Crank | 2 | 4 | | | |
| 42 | 4522818 | Bell Crank Support Bracket | 2 | 4 | | | |
| 43 | 1005800 | Oven Door Spring | 2 | 4 | | | C |
| 44 | 4523497 | 6" Long J-Bolt (F598) | 1 | 2 | | | C |
| 45 | 4530057 | Door Spring Adjustment Bracket | 1 | 2 | | | |
| 46 | 4522770 | Kick Panel 26W | 1 | 2 | | | |
| 47 | 4524668 | Knob Assembly - Oven SIT Deg F | 1 | 2 | | | C |
| | 4524669 | Knob Assembly - Oven SIT Deg C | 1 | 2 | | | C |
| 48 | 4523081 | SIT Shield Mount | 1 | 2 | | | |
| 49 | 4523006 | SIT Oven Control | 1 | 2 | | | C |
| 50 | 1095499 | Straight Connector 7/16" | 2 | 4 | | | |
| 51 | 4523079 | SIT Shield Right | 1 | 2 | | | |
| 52 | 4523080 | SIT Shield Left | 1 | 2 | | | |
| 53 | 4523499 | SIT Shield Top | 1 | 2 | | | |
| 54 | F16 | SIT to Manifold Mounting Bolts (#10-24 Round Head x 2-1/2" Long) | 2 | 4 | | | |
| 55 | F312 | SIT to Manifold Mounting Lock Nut (#10-24, K-Lock Nut) | 2 | 4 | | | |
| 56 | 4523145 | Tube - SIT to Manifold | 1 | 2 | | | |
| 56A | 4520720 | 7/16" Flexible Tubing Sit To Manifold NOTE: Only used for models with a 12" griddle mounted on the L/H side of the range. | 1 | 1 | | | |
| 57 | 4522990 | Corner Column Left | 1 | 1 | | | |

* NOT ILLUSTRATED

RECOMMENDED STOCK PARTS

U.S. RANGE PARTS IDENTIFICATION

U Series Gas Restaurant Ranges

60" SINGLE OR DOUBLE STANDARD OVEN(S) / CABINET DOOR COMPONENTS

| ITEM | PART# | DESCRIPTION | SINGLE OVEN | DOUBLE OVENS | FROM | UP TO | CRITICAL |
|---------|---|---|-------------|--------------|-----------|-------|----------|
| 58 | 4522993 | Center Column | 1 | 1 | | | |
| 59 | 4522991 | Corner Column Right | 1 | 1 | | | |
| 60 | F298N | Bolt 10-24 X 3/8" Long Shoulder Truss Head, Nickel Plated | 4 | 8 | | | |
| 61 | 4523198 | 60" Plate Rail | 1 | 1 | | | |
| 62 | 4523073 | Valve Panel End Cap Left | 1 | 1 | | | |
| 63 | 4523074 | Valve Panel End Cap Right | 1 | 1 | | | |
| 64 | 4526110 | Burner Box Filler | 2 | 2 | | | |
| 65 | 4523583 | 60" Valve Panel - All (10) Open Top Burners | 1 | 1 | | | |
| | 4524151 | 60" Valve Panel - 12" Griddle (Thermostat) - R/H | 1 | 1 | | | |
| | | 60" Valve Panel - 12" Griddle (Standard) - R/H Note: Switched from 4523583 to 4524151 (date: 02-Dec-09, serial#: 0911100101162, model: G60-6G24RR-0002) | 1 | 1 | 02-DEC-09 | | |
| | 4524148 | 60" Valve Panel - 12" Griddle (Thermostat) - L/H | 1 | 1 | | | |
| | | 60" Valve Panel - 12" Griddle (Standard) - L/H Note: Switched from 4523583 to 4524148 (date: 02-Dec-09, serial#: 0911100101162, model: G60-6G24RR-0002) | 1 | 1 | 02-DEC-09 | | |
| | 4523977 | 60" Valve Panel - 24" Griddle (Thermostat) - R/H | 1 | 1 | | | |
| | | 60" Valve Panel - 24" Griddle (Standard) - R/H Note: Switched from 4523525 to 4523977 (date: 02-Dec-09, serial#: 0911100101162, model: G60-6G24RR-0002) | 1 | 1 | 02-DEC-09 | | |
| | 4523554 | 60" Valve Panel - 24" Griddle (Thermostat) - L/H | 1 | 1 | | | |
| | | 60" Valve Panel - 24" Griddle (Standard) - L/H Note: Switched from 4523553 to 4523554 (date: 02-Dec-09, serial#: 0911100101162, model: G60-6G24RR-0002) | 1 | 1 | 02-DEC-09 | | |
| | 4523474 | 60" Valve Panel - 36" Griddle (Thermostat) - R/H | 1 | 1 | | | |
| | | 60" Valve Panel - 36" Griddle (Standard) - R/H Note: Switched from 4523525 to 4523474 (date: 02-Dec-09, serial#: 0911100101162, model: G60-6G24RR-0002) | 1 | 1 | 02-DEC-09 | | |
| | 4523527 | 60" Valve Panel - 36" Griddle (Thermostat) - L/H | 1 | 1 | | | |
| | | 60" Valve Panel - 36" Griddle (Standard) - L/H Note: Switched from 4523526 to 4523527 (date: 02-Dec-09, serial#: 0911100101162, model: G60-6G24RR-0002) | 1 | 1 | 02-DEC-09 | | |
| | 4524354 | 60" Valve Panel - 48" Griddle (Thermostat) - R/H | 1 | 1 | | | |
| | | 60" Valve Panel - 48" Griddle (Standard) - R/H Note: Switched from 4524350 to 4524354 (date: 02-Dec-09, serial#: 0911100101162, model: G60-6G24RR-0002) | 1 | 1 | 02-DEC-09 | | |
| 4524356 | 60" Valve Panel - 48" Griddle (Thermostat) - L/H | 1 | 1 | | | | |
| | 60" Valve Panel - 48" Griddle (Standard) - L/H Note: Switched from 4524352 to 4524356 (date: 02-Dec-09, serial#: 0911100101162, model: G60-6G24RR-0002) | 1 | 1 | 02-DEC-09 | | | |
| 4524360 | 60" Valve Panel - 60" Griddle (Thermostat) | 1 | 1 | | | | |
| | 60" Valve Panel - 60" Griddle (Standard) Note: Switched from 4524350 to 4524360 (date: 02-Dec-09, serial#: 0911100101162, model: G60-6G24RR-0002) | 1 | 1 | 02-DEC-09 | | | |
| 65A | 4523746 | 2.5" Valve Panel Hole Cover (L/R Storage Base Model) | 1 | | | | |
| 66 | 4522564 | Manifold Assembly (without Fittings) | 1 | 1 | | | C |

* NOT ILLUSTRATED

RECOMMENDED STOCK PARTS

**U.S. RANGE PARTS IDENTIFICATION
U Series Gas Restaurant Ranges**

60" SINGLE OR DOUBLE STANDARD OVEN(S) / CABINET DOOR COMPONENTS

| ITEM | PART# | DESCRIPTION | SINGLE OVEN | DOUBLE OVENS | FROM | UP TO | CRITICAL |
|------|----------|--|-------------|--------------|-----------|-----------|----------|
| 66A | 4522421 | Regulator - Natural Gas 4.5" WC (1" Regulator) | 1 | 1 | | | C |
| | 4522422 | Regulator - Propane Gas 10" WC (1" Regulator) | 1 | 1 | | | C |
| 67 | 4529768 | 90 Deg Elbow 3/8" Pipe to 7/16" Tube | 1 | 2 | | | |
| 68 | G02251-1 | Pressure Test Spigot | 1 | 1 | | | |
| 69 | 2203400 | 1/8" NPT Pipe Plug | | 4 | | | |
| 70 | 4523142 | .187 (3/16) Dia Tubing SIT Valve to Oven Pilot - Oven on the Left | 1 | 1 | | | |
| 70A | 4527220 | SIT Pilot Tube Connection | 1 | 1 | | | |
| 71 | 4523180 | .187 (3/16) Dia Tubing SIT Valve to Oven Pilot - Oven on the Right | 1 | 1 | | | |
| 72 | 4530485 | .437 (7/16) Dia Tubing SIT Valve to Oven Orifice Fitting - Oven on the Left | 1 | 1 | | | |
| 73 | 4530483 | .437 (7/16) Dia Tubing SIT Valve to Oven Orifice Fitting - Oven on the Right | 1 | 1 | | | |
| 74 | 4522774 | Air Shield Pilot 26W | 1 | 2 | | | |
| 75 | 4522773 | Air Shield Solid 26W | 1 | 2 | | | |
| 76 | 4523031 | Capillary Guard 26W | 1 | 2 | | | |
| 77 | 4523030 | Bulb Guard | 1 | 2 | | | |
| 78 | 4523194 | Rail Support Bracket | 2 | 2 | | | |
| 79 | 1082700 | Harness Ring, Nickel Plated | 2 | 4 | | | |
| 80 | 4522400 | Trunion Bracket | 2 | 4 | | | |
| 81 | 4523087 | Grate Support Rail | 3 | 3 | | | |
| 82 | 4523069 | 36" Drip Angle | 2 | 2 | | | |
| 83 | 4523186 | 24" Drip Angle | 2 | 2 | | | |
| 84 | 1005110 | Flue Collar | 1 | 2 | | | |
| 85 | 4522996 | Tie Strap Front | 1 | 1 | | | |
| 86 | 4522995 | Tie Strap Top | 1 | 1 | | | |
| 87 | 4524632 | Support Veneer Back Standard Oven (Optional) | 1 | 1 | | | |
| 88 | 4524630 | Veneer Back S/S - 60" Standard Oven (Optional) | 1 | 1 | | | |
| 89 | 4525164 | Oven Hearth Assembly 26W x 26D Note: Used UP TO 30-Apr-08. Assembly includes an oven hearth with studs (p/n 4523325), an oven hearth baffle (p/n 4523029), and pal nuts (p/n F95). Components listed for reference only; not sold separately. | | | | 30-APR-08 | |
| 90 | 4524992 | Oven Hearth 26W x 26D (Enamelled) Note: Used FROM 30-Apr-2008 / (serial#) 0804100101886. | 1 | 2 | 30-APR-08 | | |
| 91 | 4524993 | Baffle Pan 26W Right Note: Used UP TO 11-Sep-2008 / (serial#) 0804100101886 | 1 | 2 | 30-APR-08 | 11-SEP-08 | |
| | 4525550 | Baffle Pan 26W Right Note: Used FROM 12-Sep-2008 / (serial#) 0809100100283 | 1 | 2 | 12-SEP-08 | | |
| 92 | 4524994 | Baffle Pan 26W Left Note: Used UP TO 11-Sep-2008 / (serial#) 0804100101886 | 1 | 2 | 30-APR-08 | 11-SEP-08 | |
| | 4525549 | Baffle Pan 26W Left Note: Used FROM 12-Sep-2008 / (serial#) 0809100100283 | 1 | 2 | 12-SEP-08 | | |
| 93 | 4522408 | Oven Rack 26W x 26D | 1 | 2 | | | |
| 94 | 4522411 | Rack Guide 26D | 2 | 4 | | | |

* NOT ILLUSTRATED

RECOMMENDED STOCK PARTS

**U.S. RANGE PARTS IDENTIFICATION
U Series Gas Restaurant Ranges**

60" SINGLE OR DOUBLE STANDARD OVEN(S) / CABINET DOOR COMPONENTS

| ITEM | PART# | DESCRIPTION | SINGLE OVEN | DOUBLE OVENS | FROM | UP TO | CRITICAL |
|---|----------|---|-------------|--------------|-----------|-------|----------|
| LEGS & CASTERS | | | | | | | |
| 200 | 4525074 | 6" Adjustable Leg, S/S | | 4 | | | |
| 201 | 4524104 | 6" Flanged Leg (Optional) | | 4 | | | |
| 202 | 4526324 | 6" Caster Package, non-adjustable (Optional) Note: Includes items 204, 205, 208, and installation instructions. | | 1 | | | |
| 203 | 4526323 | 6" Caster Package, adjustable (Optional) Note: Includes items 206, 207, 208, and installation instructions. | | 1 | | | |
| 204 | 4522417 | 6" Caster No Brake, 3/4-10 mount, non-adjustable | | 2 | | | |
| 205 | 4522916 | 6" Caster With Brake, 3/4-10 mount, non-adjustable | | 2 | | | |
| 206 | 4525597 | 6" Caster No Brake, 3/4-10 mount, adjustable | | 2 | | | |
| 207 | 4525598 | 6" Caster With Brake, 3/4-10 mount, adjustable | | 2 | | | |
| 208 | 4526157 | Caster Washer Note: Used FROM serial#: 0901100100838 / date: 20-Jan-09. | | 4 | 20-JAN-09 | | |
| 209 | 4526325 | Caster Washer Kit | | 1 | | | |
| CABINET DOOR COMPONENTS - 36" STORAGE BASE MODEL | | | | | | | |
| 300 | 4524282 | Door Panel Outer - 36" Storage Base | 1 | | | | |
| 301 | 4524283 | Door Panel Inner - 36" Storage Base | 1 | | | | |
| 302 | F557 | 5/32" Rivet - S/S (Grip Range .039" - .118") | 10 | | | | |
| 303 | 078056-5 | Flange Bearing/Bushing | 2 | | | | |
| 304 | 2530900 | 0.375" Hole Plug | 2 | | | | |
| 305 | 3031900 | Storage Door Handle | 1 | | | | |
| 306 | 4524288 | Door Hinge Assembly - Right | 1 | | | | |
| 307 | 4524287 | Door Hinge Assembly - Left | 1 | | | | |
| 308 | 4524284 | Door Stop - 36" Door, Standard Base | 1 | | | | |
| 309 | F60 | Screw-10AX 5/8INTLock Quad Pan | 8 | | | | |
| 310 | 078174-1 | Magnetic Door Catch | 1 | | | | |

* NOT ILLUSTRATED

RECOMMENDED STOCK PARTS

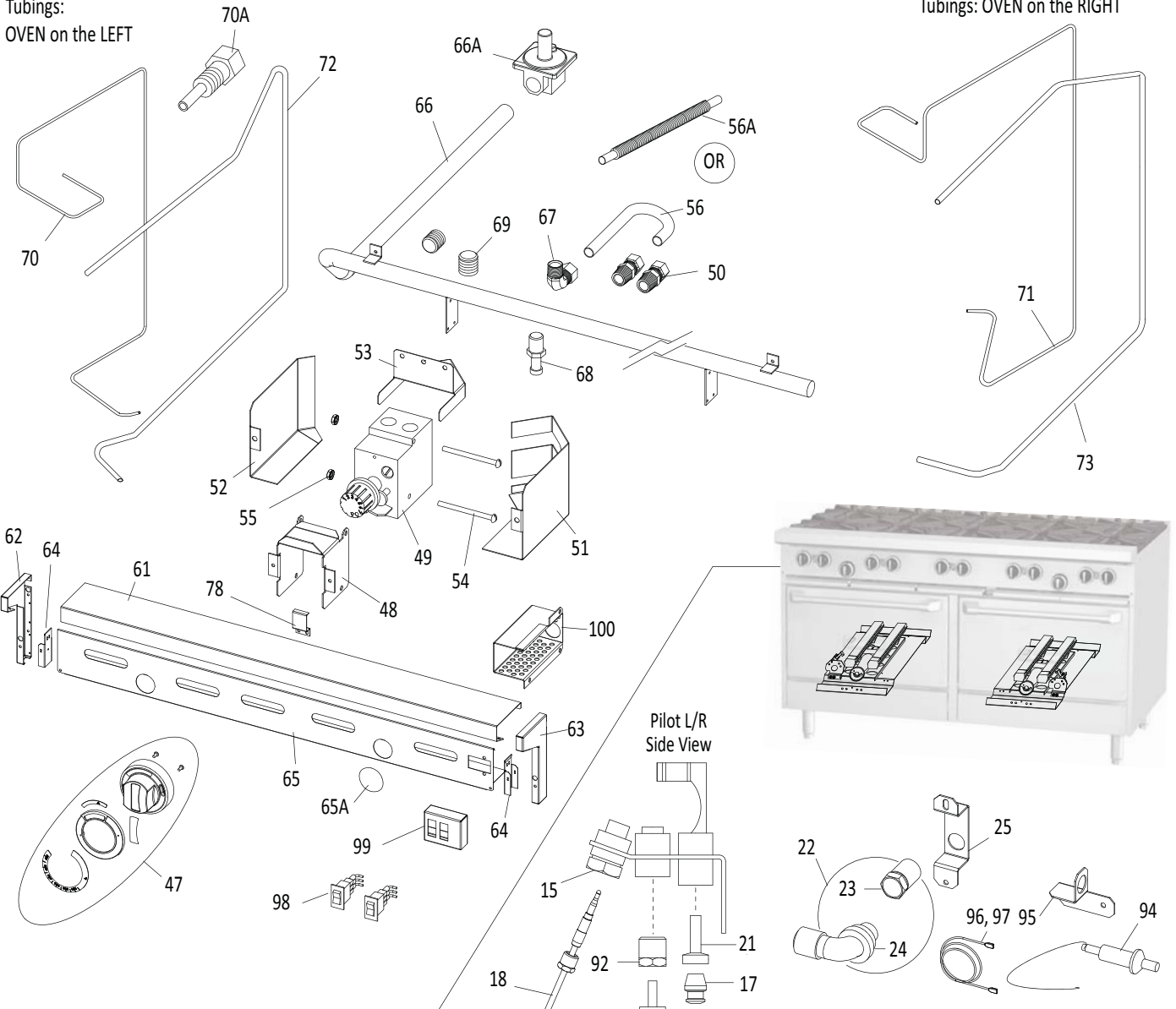
Blank Page

U.S. Range® 60" SINGLE OR DOUBLE CONVECTION OVEN(S)/CABINET DOOR(1 OF 2)

U Series Gas Restaurant Ranges

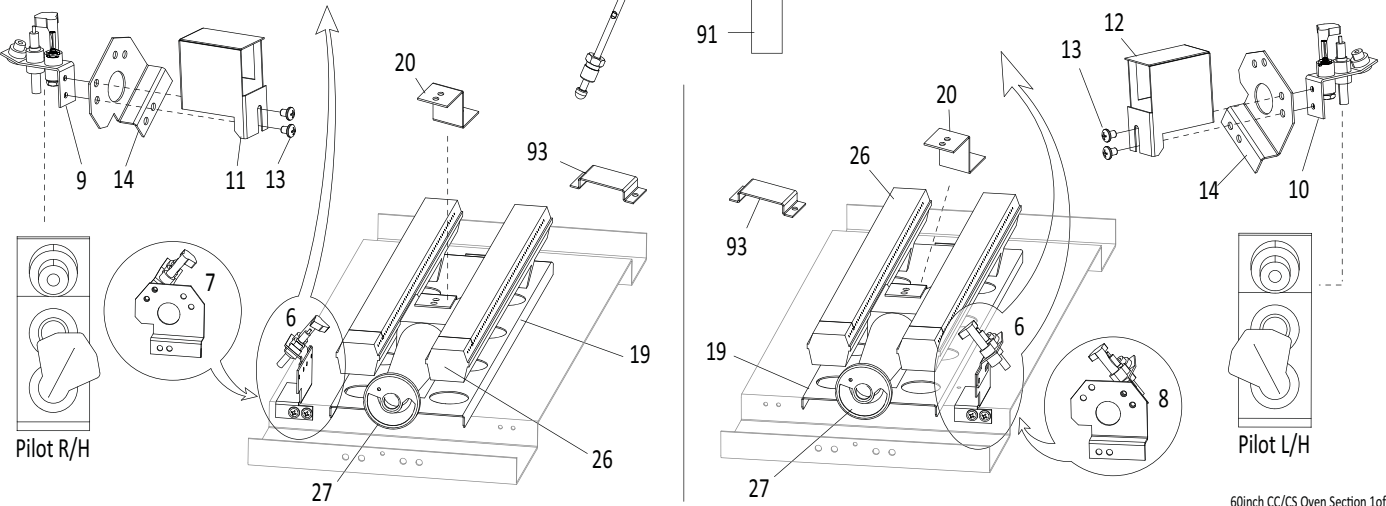
Tubings:
OVEN on the LEFT

Tubings: OVEN on the RIGHT



OVEN on the LEFT

OVEN on the RIGHT

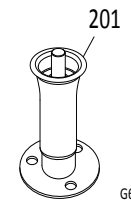
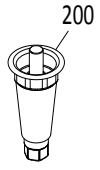
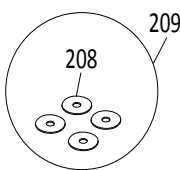
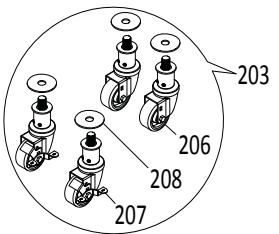
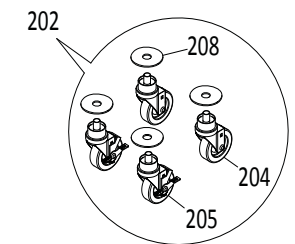
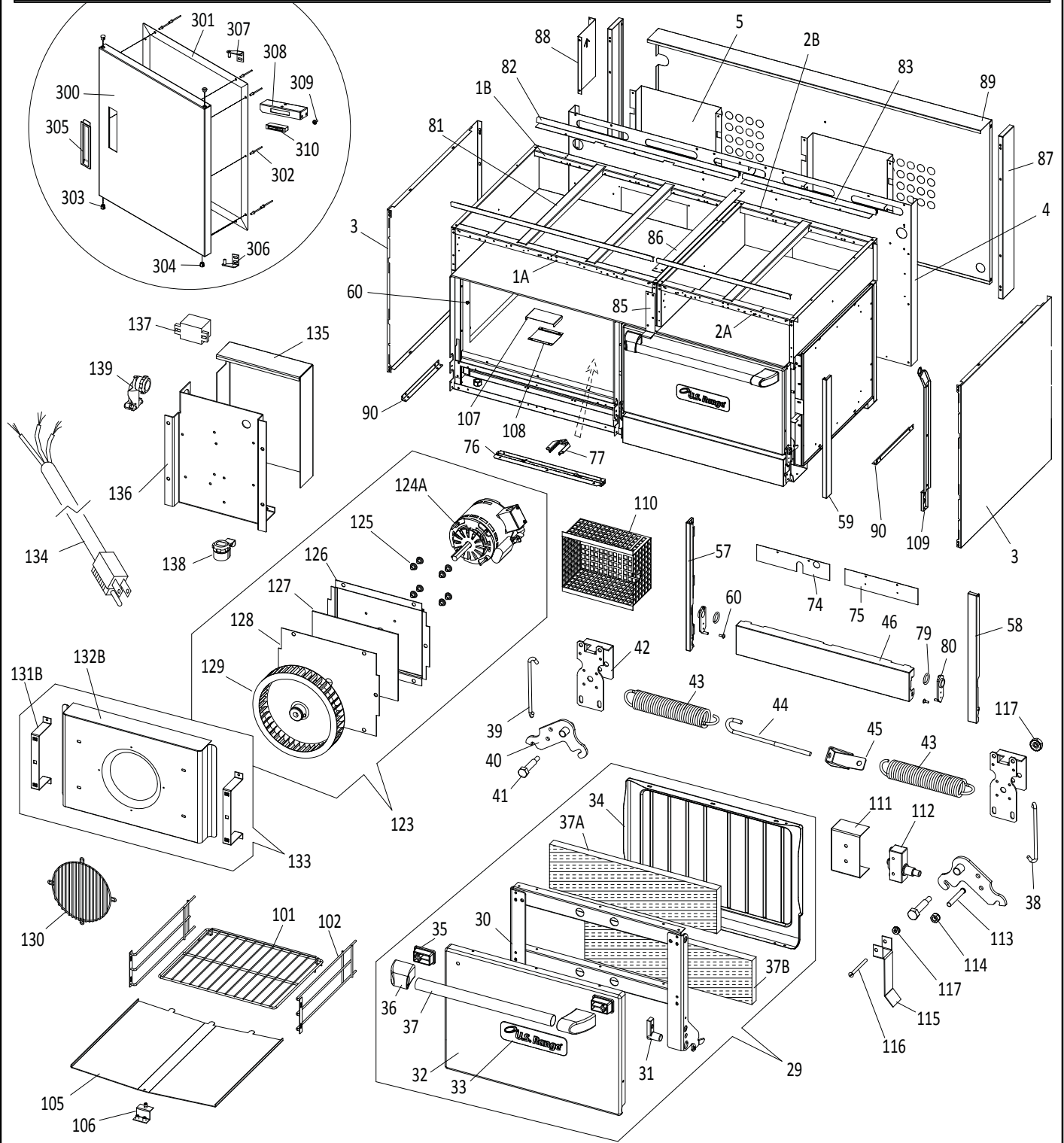


60Inch CC/CS Oven Section 1of2

U Series Gas Restaurant Ranges



60" SINGLE OR DOUBLE CONVECTION OVEN(S)/CABINET DOOR(2 OF 2)



G60 CC/CS Oven Section 2of2

U.S. RANGE PARTS IDENTIFICATION

U Series Gas Restaurant Ranges

60" SINGLE / DOUBLE CONVECTION OVEN(S) & CABINET DOOR COMPONENTS

| ITEM | PART# | DESCRIPTION | SINGLE OVEN | DOUBLE OVENS | FROM | UP TO | CRITICAL |
|------|-----------------|--|-------------|--------------|-----------|-----------|----------|
| 1A | 4523068 | 36" Main Channel – Front | 1 | 1 | | | |
| 1B | 4525530 | 36" Main Channel – Rear | 1 | 1 | | | |
| 2A | 4523184 | 24" Main Channel – Front | 1 | 1 | | | |
| 2B | 4525529 | 24" Main Channel – Rear | 1 | 1 | | | |
| 3 | 4522764 | Body Side Lt/Rt | 2 | 2 | | | |
| 4 | 4523024 | Main Back - 2 Convection Ovens | 1 | 1 | | | |
| | 4523025 | Main Back - Convection Oven on L/H or 1 Std Oven on R/ 1 Convection on L | 1 | 1 | | | |
| | 4523026 | Main Back - Convection Oven on R/H or 1 Std Oven on L/1 Convection on R | 1 | 1 | | | |
| 5 | 4522930 | Flue Riser RC Oven | 1 | 2 | | | |
| 6 | | Right/Left Pilot Assembly and Right/Left Pilot Bracket Note: Used UP TO (date) Jan 29, 2008 / (serial#) 0801100101981. When servicing, IMPORTANT to replace the pilot assemblies and brackets with Range Oven Pilot Kits (see items 7 and 8). | | | | 29-JAN-08 | |
| 7 | 4524826 | Range Oven Pilot Kit Natural Gas, on L/H Side of Burner (for the oven on the Left) | 1 | 1 | 30-JAN-08 | | |
| | 4524828 | Range Oven Pilot Kit Propane Gas, on L/H Side of Burner (for the oven on the Left) | 1 | 1 | 30-JAN-08 | | |
| 8 | 4524825 | Range Oven Pilot Kit Nat Gas on R/H Side of Burner (Oven on Right) | 1 | 1 | 30-JAN-08 | | |
| | 4524827 | Range Oven Pilot Kit Pro Gas on R/H Side of Burner (Oven on Right) | 1 | 1 | 30-JAN-08 | | |
| 9 | 2200700 | Pilot R/H #0.145.010, for Oven on the Left (Mounted on L/H Side of Burner) | 1 | 1 | 12-JUN-08 | | C |
| 10 | 2200701 | Pilot L/H #0.145.007, for Oven on the Right (Mounted on R/H Side of Burner) | 1 | 1 | 12-JUN-08 | | C |
| 11 | 4525285 | Oven Pilot Shield L/H, for 2200700 Pilot R/H Note: Used FROM (serial#) 0806100100492 / (model) G36-6R-0022. | 1 | 1 | 12-JUN-08 | | |
| 12 | 4525300 | G/U Oven Pilot Shield R/H, for 2200701 Pilot L/H Note: Used FROM (serial#) 0806100100492 / (model) G36-6R-0022. | 1 | 1 | 12-JUN-08 | | |
| 13 | F440 | #10-32 x 1/4" Screw | | | | | |
| 14 | 4524677 | Pilot Bracket Note: Used FROM (serial#) 0801100101981. | 1 | 2 | 30-JAN-08 | | |
| 15 | 2200706 | Thermocouple Retaining Nut | 1 | 2 | | | C |
| 16 | 2200704 | 3/16" Compression Nut - Oven Pilot | 1 | 2 | | | C |
| 17 | 2200705 | 3/16" Ferrule - Oven Pilot | 1 | 2 | | | C |
| 18 | 4523506 | Thermocouple Oven 60" | 1 | 2 | | | C |
| 19 | 4522763 | Oven Burner Rest | 1 | 2 | | | |
| 20 | 2512200 | Burner Hold Down Bracket | 1 | 2 | | | |
| 21 | 2200702 | Pilot Orifice #32 Natural Gas | 1 | 2 | | | C |
| | 2200703 | Pilot Orifice #23 Propane | 1 | 2 | | | C |
| 22 | 1415530F | Oven Orifice Fitting w/#30 Hood (Natural Gas) | 1 | 2 | | | C |
| | 1415550F | Oven Orifice Fitting w/#50 Hood (Propane) | 1 | 2 | | | C |
| 23 | M9-30 | Large Orifice #30 Natural Gas | 1 | 2 | | | C |
| | M9-50 | Large Orifice #50 Propane | 1 | 2 | | | C |

* NOT ILLUSTRATED

**U.S. RANGE PARTS IDENTIFICATION
U Series Gas Restaurant Ranges**

60" SINGLE / DOUBLE CONVECTION OVEN(S) & CABINET DOOR COMPONENTS

| ITEM | PART# | DESCRIPTION | SINGLE OVEN | DOUBLE OVENS | FROM | UP TO | CRITICAL |
|------|----------------|---|-------------|--------------|------------|------------|----------|
| 24 | 14155XX | Oven Orifice Fitting (without orifice) | 1 | 2 | | | C |
| 25 | 4522781 | Orifice Bracket Oven | 1 | 2 | | | |
| 26 | 4525464 | H - Burner with Air Shutter Assembly (Partially Ported) Note: Assembly includes a cast iron H-burner (p/n 1014901) and an air shutter (item 27). | 1 | 2 | | | |
| 27 | 2512100 | Oven Burner Air Shutter (included in burner asm item# 26) | 1 | 2 | | | |
| 29 | 4525052 | US Range 26W Oven Door Assembly | 1 | 2 | | | |
| 30 | 4522769 | Door Frame Assembly 26W | 1 | 2 | | | |
| 31 | 1082500 | Oven Door Trunion | 2 | 4 | | | |
| 32 | 4522737 | Oven Door Panel 26W (with holes) | 1 | 2 | | | |
| 33 | 4529726 | US Range Logo - Large | 1 | 2 | | | |
| 34 | 4522377 | Oven Door Liner 26W | 1 | 2 | | | |
| 35 | 4522407 | Door Handle End Insulator | 2 | 4 | | | |
| 36A | 4522404 | Door Handle End | 2 | 4 | 9-SEP-09 | | |
| 36B* | 4525584 | Door Handle Kit 26W US Range Oven Note: Use this Kit for units manufactured from 21-NOV-2008 to 8-SEP-2009. Kit includes items 35, 36A, 37, and fasteners. | 1 | 2 | | | |
| 36C* | 4524912 | Door Handle End, Aluminum, US Range Note: This item is No Longer Available . Use Handle Kit 4525584 (item 36B) for an unit manufactured from (dates) 21-NOV-2008 to 8-SEP-2009 / (serial#) 0811100101067 / (model) U36-6C-0004. | | | NLA | NLA | |
| 37 | 4522644 | Door Handle 26W | 1 | 2 | | | |
| 37A | 4522789 | Insulation, Door Filler 26W | 2 | 4 | | | |
| 37B | 4522788 | Insulation, Door Brace 26W | 2 | 4 | | | |
| 38 | 1082802 | Hinge Link Rt | 1 | 2 | | | C |
| 39 | 1082803 | Hinge Link Lt | 1 | 2 | | | C |
| 40 | 4522772 | Bell Crank Assembly | 2 | 4 | | | |
| 41 | F299 | Bolt 1/4-20 x 1/2" Bell Crank | 2 | 4 | | | |
| 42 | 4522818 | Bell Crank Support Bracket | 2 | 4 | | | |
| 43 | 1005800 | Oven Door Spring | 2 | 4 | | | C |
| 44 | 4523497 | 6" Long J-Bolt (F598) | 1 | 2 | | | C |
| 45 | 4530057 | Door Spring Adjustment Bracket | 1 | 2 | | | |
| 46 | 4522770 | Kick Panel 26W | 1 | 2 | | | |
| 47 | 4524668 | Knob Assembly - Oven SIT Deg F | 1 | 2 | | | C |
| | 4524669 | Knob Assembly - Oven SIT Deg C | 1 | 2 | | | C |
| 48 | 4523081 | SIT Shield Mount | 1 | 2 | | | |
| 49 | 4523006 | SIT Oven Control | 1 | 2 | | | C |
| 50 | 1095499 | Straight Connector 7/16" | 2 | 4 | | | |
| 51 | 4523079 | SIT Shield Right | 1 | 2 | | | |
| 52 | 4523080 | SIT Shield Left | 1 | 2 | | | |
| 53 | 4523499 | SIT Shield Top | 1 | 2 | | | |
| 54 | F16 | SIT to Manifold Mounting Bolts (#10-24 Round Head x 2-1/2" Long) | 2 | 4 | | | |
| 55 | F312 | SIT to Manifold Mounting Lock Nut (#10-24, K-Lock Nut) | 2 | 4 | | | |
| 56 | 4523145 | Tube - SIT to Manifold | 1 | 2 | | | |

* NOT ILLUSTRATED

RECOMMENDED STOCK PARTS

U.S. RANGE PARTS IDENTIFICATION

U Series Gas Restaurant Ranges

60" SINGLE / DOUBLE CONVECTION OVEN(S) & CABINET DOOR COMPONENTS

| ITEM | PART# | DESCRIPTION | SINGLE OVEN | DOUBLE OVENS | FROM | UP TO | CRITICAL |
|---|---|---|-------------|--------------|-----------|-------|----------|
| 56A | 4520720 | 7/16" Flexible Tubing Sit To Manifold NOTE: Only used for models with a 12" griddle mounted on the L/H side of the range. | 1 | 1 | | | |
| 57 | 4522990 | Corner Column Left | 1 | 1 | | | |
| 58 | 4522993 | Center Column | 1 | 1 | | | |
| 59 | 4522991 | Corner Column Right | 1 | 1 | | | |
| 60 | F298N | Bolt 10-24 X 3/8" Long Shoulder Truss Head, Nickel Plated | 4 | 8 | | | |
| 61 | 4523198 | 60" Plate Rail | 1 | 1 | | | |
| 62 | 4523073 | Valve Panel End Cap Left | 1 | 1 | | | |
| 63 | 4523074 | Valve Panel End Cap Right | 1 | 1 | | | |
| 64 | 4526110 | Burner Box Filler | 2 | 2 | | | |
| 65 | 4523862 | 60" Valve Panel - All (10) Open Top Burners | 1 | 1 | | | |
| | 4524150 | 60" Valve Panel - 12" Griddle (Thermostat) - R/H | 1 | 1 | | | |
| | | 60" Valve Panel - 12" Griddle (Standard) - R/H Note: Switched from 4523862 to 4524150 (date: 02-Dec-09, serial#: 0911100101162, model: G60-6G24RR-0002) | 1 | 1 | 02-DEC-09 | | |
| | 4524153 | 60" Valve Panel - 12" Griddle (Thermostat) - L/H | 1 | 1 | | | |
| | | 60" Valve Panel - 12" Griddle (Standard) - L/H Note: Switched from 4523862 to 4524153 (date: 02-Dec-09, serial#: 0911100101162, model: G60-6G24RR-0002) | 1 | 1 | 02-DEC-09 | | |
| | 4523978 | 60" Valve Panel - 24" Griddle (Thermostat) - R/H | 1 | 1 | | | |
| | | 60" Valve Panel - 24" Griddle (Standard) - R/H Note: Switched from 4523947 to 4523978 (date: 02-Dec-09, serial#: 0911100101162, model: G60-6G24RR-0002) | 1 | 1 | 02-DEC-09 | | |
| | 4523955 | 60" Valve Panel - 24" Griddle (Thermostat) - L/H | 1 | 1 | | | |
| | | 60" Valve Panel - 24" Griddle (Standard) - L/H Note: Switched from 4523953 to 4523955 (date: 02-Dec-09, serial#: 0911100101162, model: G60-6G24RR-0002) | 1 | 1 | 02-DEC-09 | | |
| | 4523946 | 60" Valve Panel - 36" Griddle (Thermostat) - R/H | 1 | 1 | | | |
| | | 60" Valve Panel - 36" Griddle (Standard) - R/H Note: Switched from 4523947 to 4523946 (date: 02-Dec-09, serial#: 0911100101162, model: G60-6G24RR-0002) | 1 | 1 | 02-DEC-09 | | |
| | 4523952 | 60" Valve Panel - 36" Griddle (Thermostat) - L/H | 1 | 1 | | | |
| | | 60" Valve Panel - 36" Griddle (Standard) - L/H Note: Switched from 4523950 to 4523952 (date: 02-Dec-09, serial#: 0911100101162, model: G60-6G24RR-0002) | 1 | 1 | 02-DEC-09 | | |
| | 4524355 | 60" Valve Panel - 48" Griddle (Thermostat) - R/H | 1 | 1 | | | |
| 60" Valve Panel - 48" Griddle (Standard) - R/H Note: Switched from 4524351 to 4524355 (date: 02-Dec-09, serial#: 0911100101162, model: G60-6G24RR-0002) | | 1 | 1 | 02-DEC-09 | | | |
| 4524357 | 60" Valve Panel - 48" Griddle (Thermostat) - L/H | 1 | 1 | | | | |
| | 60" Valve Panel - 48" Griddle (Standard) - L/H Note: Switched from 4524353 to 4524357 (date: 02-Dec-09, serial#: 0911100101162, model: G60-6G24RR-0002) | 1 | 1 | 02-DEC-09 | | | |
| 4524361 | 60" Valve Panel - 60" Griddle (Thermostat) | 1 | 1 | | | | |
| | 60" Valve Panel - 60" Griddle (Standard) Note: Switched from 4524351 to 4524361 (date: 02-Dec-09, serial#: 0911100101162, model: G60-6G24RR-0002) | 1 | 1 | 02-DEC-09 | | | |

* NOT ILLUSTRATED

RECOMMENDED STOCK PARTS

**U.S. RANGE PARTS IDENTIFICATION
U Series Gas Restaurant Ranges**

60" SINGLE / DOUBLE CONVECTION OVEN(S) & CABINET DOOR COMPONENTS

| ITEM | PART# | DESCRIPTION | SINGLE OVEN | DOUBLE OVENS | FROM | UP TO | CRITICAL |
|------|----------------|--|-------------|--------------|-----------|-----------|----------|
| 65A | 4523746 | 2.5" Valve Panel Hole Cover (L/R Storage Base Model) | 1 | | | | |
| 66 | 4522562 | Manifold Assembly (without Fittings) | 1 | 1 | | | C |
| 66A | 4522421 | Regulator - Natural Gas 4.5" WC (1" Regulator) | 1 | 1 | | | C |
| | 4522422 | Regulator - Propane Gas 10" WC (1" Regulator) | 1 | 1 | | | C |
| 67 | 4529768 | 90 Deg Elbow 3/8" Pipe to 7/16" Tube | 1 | 2 | | | |
| 68 | G02251-1 | Pressure Test Spigot | 1 | 1 | | | |
| 69 | 2203400 | 1/8" NPT Pipe Plug | | 2 | | | |
| 70 | 4529764 | .187 (3/16) Dia Tubing SIT Valve to Oven Pilot - Oven on the Left | 1 | 1 | | | |
| 70A | 4527220 | SIT Pilot Tube Connection | 1 | 1 | | | |
| 71 | 4529765 | .187 (3/16) Dia Tubing SIT Valve to Oven Pilot - Oven on the Right | 1 | 1 | | | |
| 72 | 4530485 | .437 (7/16) Dia Tubing SIT Valve to Oven Orifice Fitting - Oven on the Left | 1 | 1 | | | |
| 73 | 4530483 | .437 (7/16) Dia Tubing SIT Valve to Oven Orifice Fitting - Oven on the Right | 1 | 1 | | | |
| 74 | 4522774 | Air Shield Pilot 26W | 1 | 2 | | | |
| 75 | 4522773 | Air Shield Solid 26W | 1 | 2 | | | |
| 76 | 4523031 | Capillary Guard 26W | 1 | 2 | | | |
| 77 | 4523030 | Bulb Guard | 1 | 2 | | | |
| 78 | 4523194 | Rail Support Bracket | 2 | 2 | | | |
| 79 | 1082700 | Harness Ring, Nickel Plated | 2 | 4 | | | |
| 80 | 4522400 | Trunion Bracket | 2 | 4 | | | |
| 81 | 4523087 | Grate Support Rail | 3 | 3 | | | |
| 82 | 4523069 | 36" Drip Angle | 2 | 2 | | | |
| 83 | 4523186 | 24" Drip Angle | 2 | 2 | | | |
| 85 | 4522996 | Tie Strap Front | 1 | 1 | | | |
| 86 | 4522995 | Tie Strap Top | 1 | 1 | | | |
| 87 | 4524629 | Extension RC S/S Veneer Back (Optional) | 2 | 2 | | | |
| 88 | 4524633 | Veneer Support - 60" RC Oven (Optional) | 1 | 1 | | | |
| 89 | 4524631 | Veneer Back S/S 60" RC Oven (Optional) | 1 | 1 | | | |
| 90 | 4523027 | Retention Bracket 60" Convection Oven | 2 | 2 | | | |
| 91 | 2200708 | Electrode #0.915.025 | 1 | 2 | | | C |
| 92 | 2200707 | Nut, Electrode #0.974.144 | 1 | 2 | | | C |
| 93 | 4512234 | Burner Support Track | 1 | 2 | | | |
| 94 | 1309201 | Piezo Ignitor | 1 | 2 | | | C |
| 95 | 4518193 | Piezo Support Bracket | 1 | 2 | | | |
| 96 | CK2200211 | 12" High Tension Wire Leads | 1 | 2 | | | |
| 97 | G03883R | Thermoflex Insulating Sleeve (sold by the foot.) | 12" | 24" | | | |
| 98 | 1358900 | Convection Oven Power Switch (on/off/on) | 1 | 2 | | | C |
| 99 | 4524317 | Convection Oven Extension Box C | 1 | | | | |
| | 4524316 | Convection Oven Extension Box CC | | 1 | | | |
| 100 | 4523222 | Convection Oven Switch Box | 1 | 1 | | | |
| 101 | 4522409 | Oven Rack 26W x 22D | 3 | 6 | | | |
| 102 | 4522413 | Rack Guide - Convection Oven | 2 | 4 | | | |
| 105 | 4522949 | Fire Plate RC Oven | 1 | 2 | | 28-MAY-08 | |
| | 4524459 | Fire Plate RC Oven Note: Used FROM serial# 0805100101613 | 1 | 2 | 29-MAY-08 | | |

* NOT ILLUSTRATED

RECOMMENDED STOCK PARTS

**U.S. RANGE PARTS IDENTIFICATION
U Series Gas Restaurant Ranges**

60" SINGLE / DOUBLE CONVECTION OVEN(S) & CABINET DOOR COMPONENTS

| ITEM | PART# | DESCRIPTION | SINGLE OVEN | DOUBLE OVENS | FROM | UP TO | CRITICAL |
|-------|----------------|---|-------------|--------------|-----------|-----------|----------|
| 106 | 4522950 | Fire Plate Support Bracket Assembly | 1 | | | | |
| 107 | 1412300 | Vent Slide | 1 | 2 | | | |
| 108 | 1412400 | Vent Slide Housing | 1 | 2 | | | |
| 109 | 4524280 | Wire Channel | 1 | | | | |
| 110 | 2519799 | Motor Guard | 1 | 2 | | | |
| 111 | 4522932 | Door Switch Cover, Convection Oven | 1 | 2 | | | |
| 112 | 1019600 | Door Switch, Convection Oven | 1 | 2 | | | C |
| 113 | G01503-16 | 1/4-20 x 1-3/4" Long Weld Stud | 1 | 2 | | | |
| 114 | F86 | 1/4 - 20 K-Lock Nut | 1 | 2 | | | |
| 115 | 4524808 | Hinge - RC Door Switch | 1 | 2 | | | |
| 116 | F599 | #6-32 x 1-1/2" Machine Screw | 1 | 2 | | | |
| 117 | F590 | #6-32 K-Lock Nut | 2 | 4 | | | |
| 123 | 4515043 | RC Motor Assembly Kit 115V Note: Kit includes items 124A, 125 - 129. | 1 | 2 | | | C |
| 124A | 2485801 | RC Motor 1/3 HP, 115V, 60Hz | 1 | 2 | | | C |
| 124B* | 2485800 | RC Motor 1/3 HP, 208/240V, 50/60 Hz | 1 | 2 | | | C |
| 125 | G01503-3 | 1/4 - 20 Weld Nut | 8 | 16 | | | |
| 126 | 3013301 | Motor Mount Pocket | 1 | 2 | | | |
| 127 | 1669101 | Motor Pocket Insulation Board | 1 | 2 | | | |
| 128 | 3013401 | Motor Mount Plate | 1 | 2 | | | |
| 129 | G02952-01P | Blower Wheel Assembly (Plated) | 1 | 2 | | | |
| 130 | 2520100 | Fan Protector Screen | 1 | 2 | | | |
| 131A* | 1361298 | Bracket, Air Baffle Support Note: A unit manufactured UP TO 23-Jan-09 requires Kit (item# 133). | 2 | 2 | | 23-JAN-09 | |
| 131B | 4526160 | Air Baffle Support Bracket Assy with Care Nuts | 2 | 2 | 24-JAN-09 | | |
| 132A* | 4525267 | Air Baffle Note: A unit manufactured UP TO 23-Jan-09 requires Kit (item# 133). | 1 | 1 | | 23-JAN-09 | |
| 132B | 4526161 | Air Baffle | 1 | 1 | 24-JAN-09 | | |
| 133 | 4526164 | Convection Oven Air Baffle Kit Note: This Kit can be used on unit manufactured before or after 23-Jan-09. Kit includes items 116B & 117B. | 1 | 1 | | | |
| 134 | 4523398 | Cord & Plug 6Ft. 3/4GA / 15Amp / SJ00W | 1 | 1 | | | |
| 135 | 4530070 | Terminal Box | 1 | 1 | | | |
| 136 | 4530071 | Terminal Box Cover | 1 | 1 | | | |
| 137 | 3050401 | Miniature Terminal Black Assy 3-P (for 208V/240V unit) | 1 | 1 | | | |
| 138 | G01497-1 | B/X Connector Straight 3/8" | 1 | 1 | | | |
| 139 | 1028500 | B/X Connector 90 Degrees 3/8" | 1 | 1 | | | |

* NOT ILLUSTRATED

RECOMMENDED STOCK PARTS

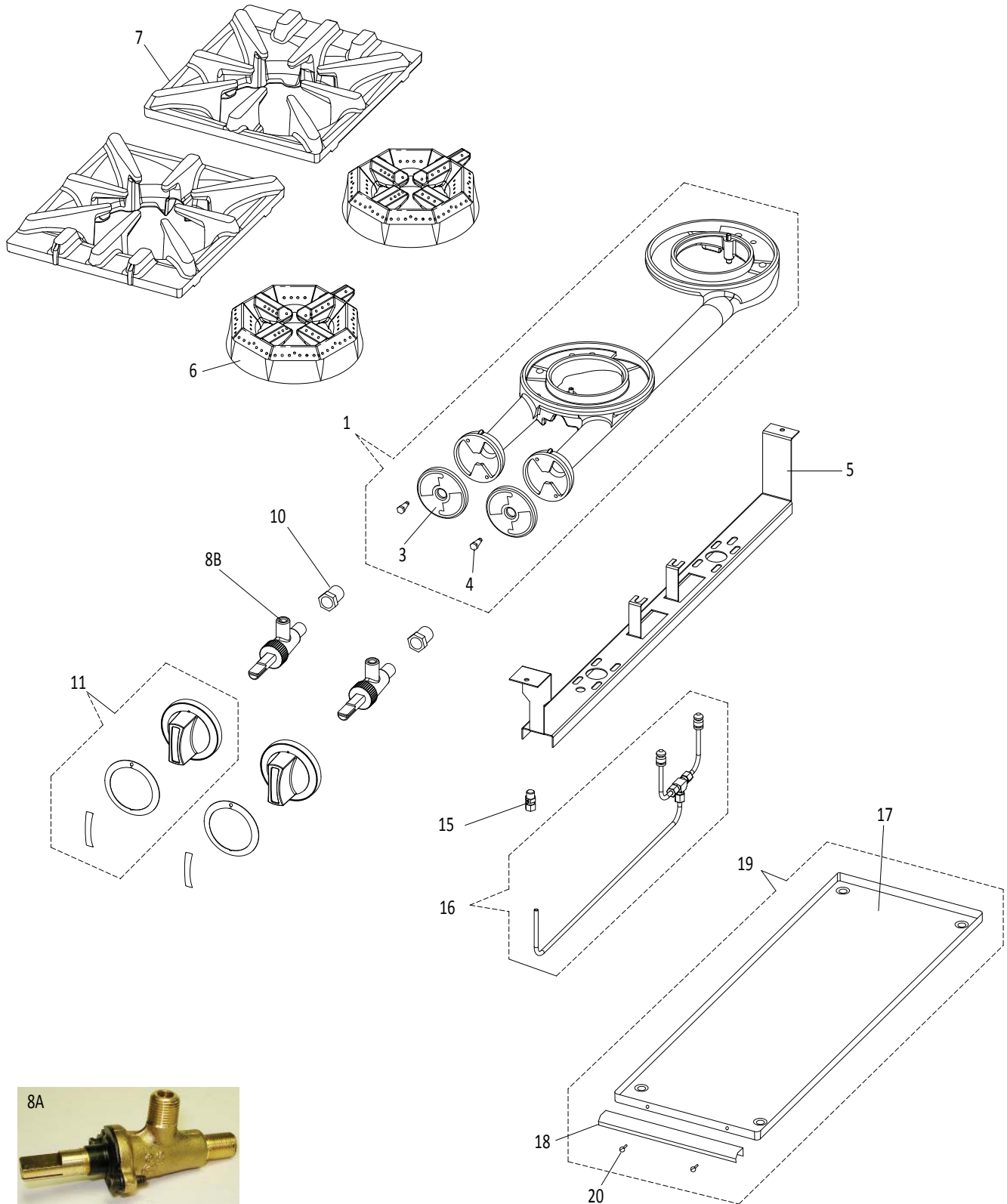
U.S. RANGE PARTS IDENTIFICATION
U Series Gas Restaurant Ranges

60" SINGLE / DOUBLE CONVECTION OVEN(S) & CABINET DOOR COMPONENTS

| ITEM | PART# | DESCRIPTION | SINGLE OVEN | DOUBLE OVENS | FROM | UP TO | CRITICAL |
|---|----------|---|-------------|--------------|-----------|-------|----------|
| LEGS & CASTERS | | | | | | | |
| 200 | 4525074 | 6" Adjustable Leg, S/S | | 4 | | | |
| 201 | 4524104 | 6" Flanged Leg (Optional) | | 4 | | | |
| 202 | 4526324 | 6" Caster Package, non-adjustable (Optional) Note: Includes items 204, 205, 208, and installation instructions. | | 1 | | | |
| 203 | 4526323 | 6" Caster Package, adjustable (Optional) Note: Includes items 206, 207, 208, and installation instructions. | | 1 | | | |
| 204 | 4522417 | 6" Caster No Brake, 3/4-10 mount, non-adjustable | | 2 | | | |
| 205 | 4522916 | 6" Caster With Brake, 3/4-10 mount, non-adjustable | | 2 | | | |
| 206 | 4525597 | 6" Caster No Brake, 3/4-10 mount, adjustable | | 2 | | | |
| 207 | 4525598 | 6" Caster With Brake, 3/4-10 mount, adjustable | | 2 | | | |
| 208 | 4526157 | Caster Washer Note: Used FROM serial#: 0901100100838 / date: 20-Jan-09. | | 4 | 20-JAN-09 | | |
| 209 | 4526325 | Caster Washer Kit | | 1 | | | |
| CABINET DOOR COMPONENTS - 36" STORAGE BASE MODEL | | | | | | | |
| 300 | 4524282 | Door Panel Outer - 36" Storage Base | 1 | | | | |
| 301 | 4524283 | Door Panel Inner - 36" Storage Base | 1 | | | | |
| 302 | F557 | 5/32" Rivet - S/S (Grip Range .039" - .118") | 10 | | | | |
| 303 | 078056-5 | Flange Bearing/Bushing | 2 | | | | |
| 304 | 2530900 | 0.375" Hole Plug | 2 | | | | |
| 305 | 3031900 | Storage Door Handle | 1 | | | | |
| 306 | 4524288 | Door Hinge Assembly - Right | 1 | | | | |
| 307 | 4524287 | Door Hinge Assembly - Left | 1 | | | | |
| 308 | 4524284 | Door Stop - 36" Door, Standard Base | 1 | | | | |
| 309 | F60 | Screw-10AX 5/8INTLock Quad Pan | 8 | | | | |
| 310 | 078174-1 | Magnetic Door Catch | 1 | | | | |

* NOT ILLUSTRATED

RECOMMENDED STOCK PARTS



U.S. RANGE PARTS IDENTIFICATION
U Series Gas Restaurant Ranges

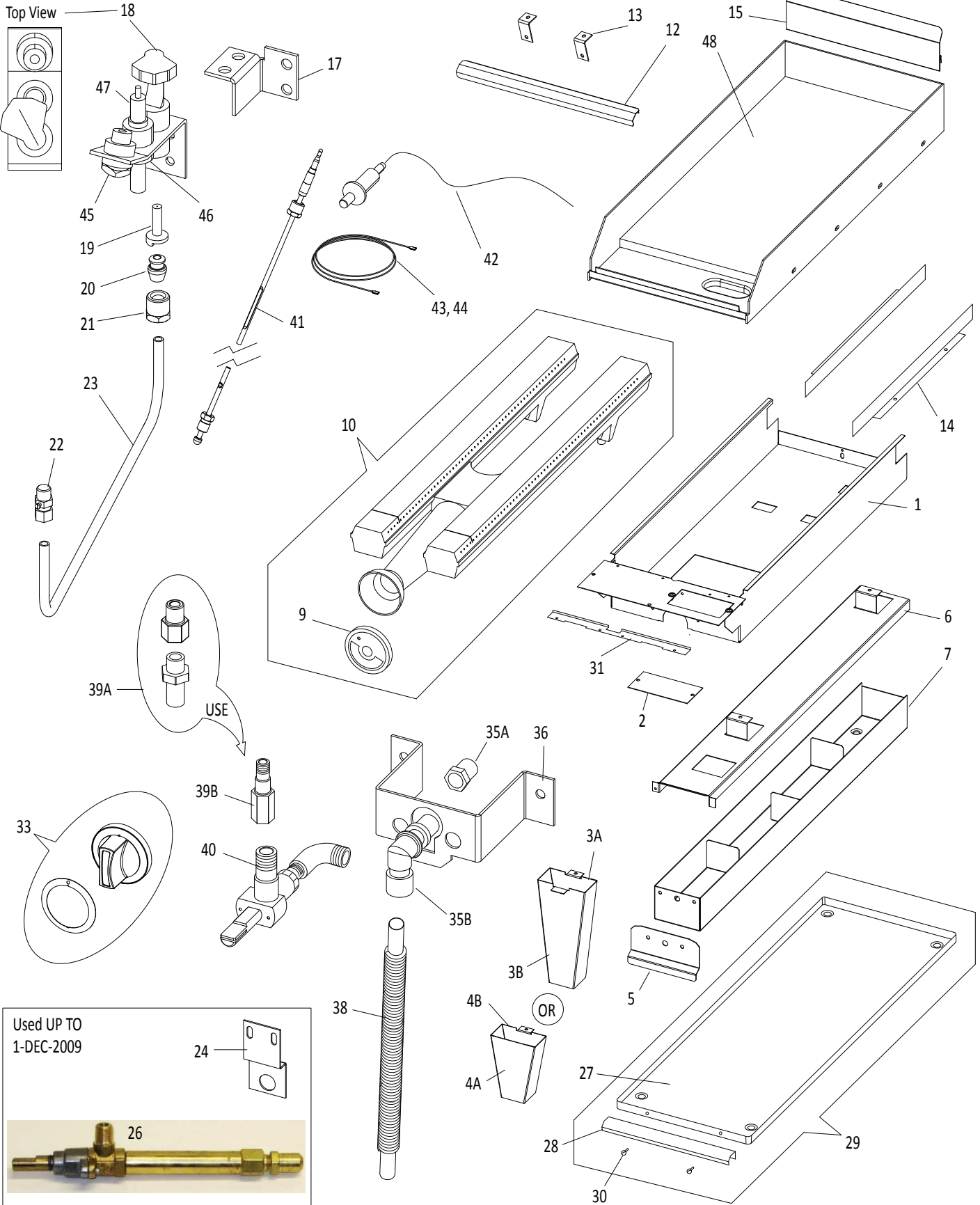
OPEN TOP BURNERS

| ITEM | PART # | DESCRIPTION | OPEN TOP SECTION | | | | | CRITICAL |
|------|----------------|---|------------------|-----|-----|-----|-----|----------|
| | | | 12" | 24" | 36" | 48" | 60" | |
| 1 | 4522264 | Dual Venturi Housing Base Assembly | 1 | 2 | 3 | 4 | 5 | |
| 3 | 4522266 | Air Shutter - Open Top | 2 | 4 | 6 | 8 | 10 | |
| 4 | F43 | 10-24 x 3/8" Hex Washer Head Screw | 2 | 4 | 6 | 8 | 10 | |
| 5 | 4523090 | Open Top Burner Rest | 1 | 2 | 3 | 4 | 5 | |
| 6 | 4522271 | Open Burner Head, US Range | 2 | 4 | 6 | 8 | 10 | |
| 7 | 4522268 | Open Top Grate, US Range | 2 | 4 | 6 | 8 | 10 | |
| 8A | 26878xx | Open Burner Valve, no Hood Note: Used UP TO (date) 2-May/12 (model) G36-6R-0005 / U36-6C-0014 (serial#) 1204100101467 / 1204100101482 | 2 | 4 | 6 | 8 | 10 | C |
| 8B | 4530671 | Open Burner Valve, no Hood Note: Used FROM (date) 2-May/12 (model) G36-6R-0005 / U36-6C-0014 (serial#) 1204100101467 / 1204100101482 | 2 | 4 | 6 | 8 | 10 | C |
| 10 | M8-37 | Open Top Orifice - Natural Gas #37 | 2 | 4 | 6 | 8 | 10 | C |
| | M8-53 | Open Top Orifice - Propane Gas #53 | 2 | 4 | 6 | 8 | 10 | C |
| 11 | 4524670 | Knob Assembly | 2 | 4 | 6 | 8 | 10 | C |
| 15 | 1086597 | Pilot Gum Valve | 1 | 2 | 3 | 4 | 5 | |
| 16 | 4523127 | Open Top Pilot Tube Assembly | 1 | 2 | 3 | 4 | 5 | |
| 17 | 4522401 | Crumb Tray | 1 | 2 | 3 | 4 | 5 | |
| 18 | 4522402 | Crumb Tray Trim | 1 | 2 | 3 | 4 | 5 | |
| 19 | CK4523334 | Crumb Tray Assembly | 1 | 2 | 3 | 4 | 5 | |
| 20 | F554 | Rivet .125" Dia. SS | | | | | | |

* NOT ILLUSTRATED

RECOMMENDED STOCK PARTS

Top View



U.S. RANGE PARTS IDENTIFICATION

U Series Gas Restaurant Ranges

HI / LOW GRIDDLE TOP

| ITEM | PART# | DESCRIPTION | GRIDDLE SIZE | | | | | | | FROM | UP TO | CRITICAL |
|------|----------------|--|--------------|-----|-------------|------------|-------------|------------|-----|------|----------|----------|
| | | | 12" | 24" | 36" (RIGHT) | 36" (LEFT) | 48" (RIGHT) | 48" (LEFT) | 60" | | | |
| 1 | 4525514 | Hot Top / Griddle Burner Box | 1 | 2 | 3 | 3 | 4 | 4 | 5 | | | |
| 2 | 4524158 | Griddle / Hot Box Patch | | 1 | 2 | 2 | 2 | 2 | 3 | | | |
| 3A | 4524326 | 12" Chute Rear Plate | 1 | | | | | | | | | |
| 3B | 4524325 | 12" Grease Chute Funnel | 1 | | | | | | | | | |
| 4A | 4523219 | Grease Chute Rear Plate | | 1 | 1 | 1 | 2 | 2 | 2 | | | |
| 4B | 4523218 | Grease Chute Funnel | | 1 | 1 | 1 | 2 | 2 | 2 | | | |
| 5 | 4523217 | Grease Drawer Handle | | 1 | 1 | 1 | 2 | 2 | 2 | | | |
| 6 | 4523221 | Grease Drawer Shield | | 1 | 1 | 1 | 2 | 2 | 2 | | | |
| 7 | 4523493 | Grease Drawer Assembly | | 1 | 1 | 1 | 2 | 2 | 2 | | | |
| 9 | 1028002 | Air Shutter - Hot Top / Griddle | 1 | 2 | 3 | 3 | 4 | 4 | 5 | | | |
| 10 | 4525463 | H-Burner W/Shutter Assembly (Partially Ported) Note: Assembly includes a partially ported cast iron H-Burner (part# 1014901) and an Air Shutter (item# 9). | 1 | 2 | 3 | 3 | 4 | 4 | 5 | | | |
| 12 | 4524416 | False Trim 6" (For a 60" unit w/ a 48" Griddle Left) | | | | | | 1 | | | | |
| | 4524414 | False Trim 12" (For a 48" Unit w/ a 36" Griddle Left or a 60" unit w/ a 48" Griddle Left) | | | | 1 | | 1 | | | | |
| | 4523552 | False Trim 16" | | 1 | | 1 | | 1 | | | | |
| | 4523690 | False Trim 17" (For a 36" units w/ a 24" Griddle Right) | | 1 | | | | | | | | |
| | 4524412 | False Trim 18" | | | | | 1 | | 1 | | | |
| | 4523528 | False Trim 28" (For a 36" unit w/ a 36" Griddle or a 60" unit w/ a 60" Griddle & 60"Unit W/36 Griddle Left) | | | | 1 | 1 | | | 1 | | |
| | 4523516 | False Trim 29" (For a 48" or a 60" unit w/ a 36" Griddles Right) | | | | 1 | | | | | | |
| 13 | 4523519 | False Trim Bracket | | 2 | 2 | 2 | 4 | 6 | 4 | | | |
| 14 | 4525515 | Burner Side Deflector | 2 | 4 | 6 | 6 | 8 | 8 | 10 | | | |
| 15 | 4523418 | Rear Griddle Splash Guard - 12" | 1 | | | | | | | | | |
| | 4523419 | Rear Griddle Splash Guard - 24" | | 1 | | | | | | | | |
| | 4523420 | Rear Griddle Splash Guard - 36" | | | 1 | 1 | | | | | | |
| | 4523421 | Rear Griddle Splash Guard - 48" | | | | | 1 | 1 | | | | |
| | 4523422 | Rear Griddle Splash Guard - 60" | | | | | | | | 1 | | |
| 17 | 4525503 | SIT Pilot Bracket | 1 | 2 | 3 | 3 | 4 | 4 | 5 | | | |
| 18 | 2200701 | Pilot L/H #0.145.007 | 1 | 2 | 3 | 3 | 4 | 4 | 5 | | | C |
| 19 | 2200702 | Pilot Orifice #32 (Natural Gas) | 1 | 2 | 3 | 3 | 4 | 4 | 5 | | | C |
| | 2200703 | Pilot Orifice #23 (Propane Gas) | 1 | 2 | 3 | 3 | 4 | 4 | 5 | | | C |
| 20 | 2200705 | 3/16" Ferrule - Pilot | 1 | 2 | 3 | 3 | 4 | 4 | 5 | | | C |
| 21 | 2200704 | 3/16" Compression Nut - Pilot | 1 | 2 | 3 | 3 | 4 | 4 | 5 | | | C |
| 22 | 1086597 | Pilot Gum Valve | 1 | 2 | 3 | 3 | 4 | 4 | 5 | | | |
| 23 | 4523286 | 3/16 Tubing Pilot to Gum Valve | 1 | 2 | 3 | 3 | 4 | 4 | 5 | | | |
| 24 | 4523483 | Hot Top Valve Ext. Support | 1 | 2 | 3 | 3 | 4 | 4 | 5 | | 1-DEC-09 | |
| 26 | 1086580 | Hi-Low Valve Assembly Natural Gas #47 w/ Extension & Orifice | 1 | 2 | 3 | 3 | 4 | 4 | 5 | | 1-DEC-09 | C |
| | 1086595 | Hi-Low Valve Assembly Propane Gas #1.3mm w/ Extension & Orifice | 1 | 2 | 3 | 3 | 4 | 4 | 5 | | 1-DEC-09 | C |
| 27 | 4522401 | Crumb Tray | 1 | | | | | | | | | |
| 28 | 4522402 | Crumb Tray Trim | 1 | | | | | | | | | |

* NOT ILLUSTRATED

RECOMMENDED STOCK PARTS

U.S. RANGE PARTS IDENTIFICATION

U Series Gas Restaurant Ranges

HI / LOW GRIDDLE TOP

| ITEM | PART# | DESCRIPTION | GRIDDLE SIZE | | | | | | | FROM | UP TO | CRITICAL |
|---|--|---|--------------|-----|-------------|------------|-------------|------------|-----|-----------|-----------|----------|
| | | | 12" | 24" | 36" (RIGHT) | 36" (LEFT) | 48" (RIGHT) | 48" (LEFT) | 60" | | | |
| 29 | CK4523334 | Crumb Tray Assembly | 1 | | | | | | | | | |
| 30 | F554 | Rivet .125" Dia. SS | 1 | | | | | | | | | |
| 31 | 4525512 | Griddle Box Heat Shield | 1 | 2 | 3 | 3 | 4 | 4 | 5 | | | |
| 33 | 4524671 | Hi-Lo Griddle Knob Assembly | 1 | 2 | 3 | 3 | 4 | 4 | 5 | | | C |
| 35A | M8-47 | Hot Top/Griddle Orifice - Natural Gas #47 | 1 | 2 | 3 | 3 | 4 | 4 | 5 | | | C |
| | M8-1.3mm | Hot Top/Griddle Orifice - Propane Gas #1.3mm | 1 | 2 | 3 | 3 | 4 | 4 | 5 | | | C |
| 35B | G02486XX | Orifice Fitting (without orifice) Note: Used FROM serial#: 0911100101162 / model: G60-6G24RR-0002 / date: date: 2-Dec-09 | 1 | 2 | 3 | 3 | 4 | 4 | 5 | 2-DEC-09 | | C |
| 35C* | G02486-47F | Orifice Fitting 47F - Natural Gas | 1 | 2 | 3 | 3 | 4 | 4 | 5 | | | C |
| | G02486-1300 | Orifice Fitting 1.3mm - Propane Gas | 1 | 2 | 3 | 3 | 4 | 4 | 5 | | | C |
| 36 | 4527389 | Orifice Bracket Note: Used FROM serial#: 0911100101162 / model: G60-6G24RR-0002 / date: 2-Dec-09 | 1 | 2 | 3 | 3 | 4 | 4 | 5 | 2-DEC-09 | | |
| 38 | IMPORTANT: Production switched from 12" flex tubing to 6" as of 22-Jan/10. The 6" version is sufficient. Use part 4525331 (6") on any unit manufactured between dates 2-Dec-09 and 21-Jan-10. | | | | | | | | | | | |
| | 4521446 | 1/4" Flex Tubing, 12" Long (Valve to Orifice Fitting) Note: Used FROM serial#: 0911100101162 / model: G60-6G24RR-0002 | 1 | 2 | 3 | 3 | 4 | 4 | 5 | 2-DEC-09 | 21-JAN-10 | |
| | 4525331 | 1/4" Flex Tubing, 6" Long, S/S (Valve to Orifice Fitting) | 1 | 2 | 3 | 3 | 4 | 4 | 5 | 22-JAN-10 | | |
| 39A | 4524442 | 1/8 NPT Hex Pipe Nipple | | | | | | | | | | |
| | 4527682 | Coupling 1/8 NPT Brass | | | | | | | | | | |
| Note: Part 4527831 (item 39B) replaced both 4524442 and 4527682. | | | | | | | | | | | | |
| 39B | 4527831 | Extension 1/8" NPT Male To NPT Female Brass Note: Replaced item 39A (Nipple and Coupling) | 1 | 2 | 3 | 3 | 4 | 4 | 5 | | | C |
| 40 | G02599-01 | HI-LOW Valve with 90 Degree Elbow Note: Used FROM date: 2-DEC-2009 / serial#: 0911100101162 / model: G60-6G24RR-0002. | 1 | 2 | 3 | 3 | 4 | 4 | 5 | 2-DEC-09 | | C |
| 41 | 4523505 | Thermocouple 18" (SIT 0290084) | 1 | 2 | 3 | 3 | 4 | 4 | 5 | | | C |
| 42 | 1309201 | Piezo Igniter #1244-41 | 1 | 2 | 3 | 3 | 4 | 4 | 5 | | | C |
| 43 | CK2200211 | 12" High Tension Wire | 1 | 2 | 3 | 3 | 4 | 4 | 5 | | | C |
| 44 | G03883R | Thermo Flex Insulating Sleeve (sold by the foot) - 12" required for each electrode | | | | | | | | | | |
| 45 | 2200706 | Thermocouple Retaining Nut | 1 | 2 | 3 | 3 | 4 | 4 | 5 | | | C |
| 46 | 2200707 | Nut, Electro | 1 | 2 | 3 | 3 | 4 | 4 | 5 | | | C |
| 47 | 2200708 | Electro | 1 | 2 | 3 | 3 | 4 | 4 | 5 | | | C |

* NOT ILLUSTRATED

RECOMMENDED STOCK PARTS

U.S. RANGE PARTS IDENTIFICATION

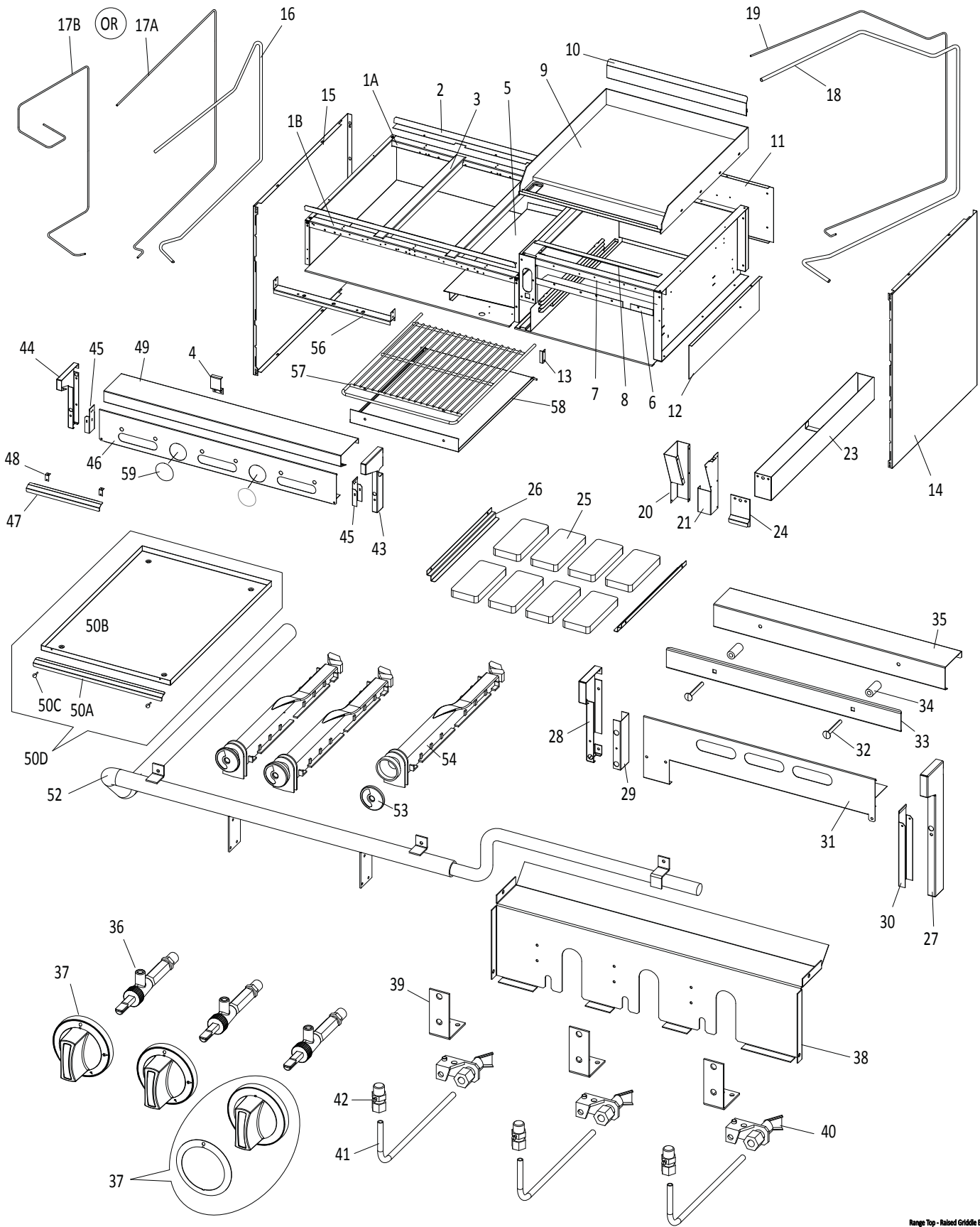
U Series Gas Restaurant Ranges

HI / LOW GRIDDLE TOP

| ITEM | PART# | DESCRIPTION | GRIDDLE SIZE | | | | | | | FROM | UP TO | CRITICAL |
|---------|--------------------------------------|---|--------------|-----|-------------|------------|-------------|------------|-----|------|-------|----------|
| | | | 12" | 24" | 36" (RIGHT) | 36" (LEFT) | 48" (RIGHT) | 48" (LEFT) | 60" | | | |
| 48 | 4523235 | 12" Griddle Assembly | 1 | | | | | | | | | |
| | 4523780 | 12" Griddle Assembly (Fully Grooved) | 1 | | | | | | | | | |
| | 4523234 | 24" Griddle Assembly | | 1 | | | | | | | | |
| | 4523781 | 24" Griddle Assembly (Fully Grooved) | | 1 | | | | | | | | |
| | 4523782 | 24" Griddle Assembly (Right Grooved) | | 1 | | | | | | | | |
| | 4523783 | 24" Griddle Assembly (Left Grooved) | | 1 | | | | | | | | |
| | 4523236 | 36" Griddle Assembly | | | 1 | 1 | | | | | | |
| | 4523784 | 36" Griddle Assembly (Fully Grooved) | | | 1 | 1 | | | | | | |
| | 4523785 | 36" Griddle Assembly (Right Grooved) | | | 1 | 1 | | | | | | |
| | 4523786 | 36" Griddle Assembly (Left Grooved) | | | 1 | 1 | | | | | | |
| | 4523931 | 36" Griddle Assembly - Middle Chute (Used only on 48" unit w/36" Griddle on Left) | | | | 1 | | | | | | |
| | 4523932 | 36" Griddle Assembly - Middle Chute - Fully Grooved (Used only on 48" unit w/36" Griddle on Left) | | | | 1 | | | | | | |
| | 4523933 | 36" Griddle Assembly - Middle Chute - Right Grooved (Used only on 48" unit w/36" Griddle on Left) | | | | 1 | | | | | | |
| | 4523934 | 36" Griddle Assembly - Middle Chute - Left Grooved (Used only on 48" unit w/36" Griddle on Left) | | | | 1 | | | | | | |
| | 4523387 | 48" Griddle Assembly - R/H Side | | | | | 1 | | | | | |
| | 4523787 | 48" Griddle Assembly (Fully Grooved) - R/H Side | | | | | 1 | | | | | |
| | 4523788 | 48" Griddle Assembly (Right Grooved) - R/H Side | | | | | 1 | | | | | |
| | 4523789 | 48" Griddle Assembly (Left Grooved) - R/H Side | | | | | 1 | | | | | |
| | 4524404 | 48" Griddle Assembly - L/H Side (Used only on 60" units w/48" Griddle Left) | | | | | | 1 | | | | |
| | 4524405 | 48" Griddle Assembly (Fully Grooved) - L/H Side (Used only on 60" units w/48" Griddle Left) | | | | | | 1 | | | | |
| | 4524406 | 48" Griddle Assembly (Right Grooved) - L/H Side (Used only on 60" units w/48" Griddle Left) | | | | | | 1 | | | | |
| | 4524407 | 48" Griddle Assembly (Left Grooved) - L/H Side (Used only on 60" units w/48" Griddle Left) | | | | | | 1 | | | | |
| | 4523388 | 60" Griddle Assembly | | | | | | | 1 | | | |
| 4523790 | 60" Griddle Assembly (Fully Grooved) | | | | | | | 1 | | | | |
| 4523791 | 60" Griddle Assembly (Right Grooved) | | | | | | | 1 | | | | |
| 4523792 | 60" Griddle Assembly (Left Grooved) | | | | | | | 1 | | | | |

* NOT ILLUSTRATED

RECOMMENDED STOCK PARTS



Range Top - Raised Griddle Broiler

U.S. RANGE PARTS IDENTIFICATION

U Series Gas Restaurant Ranges

RAISED GRIDDLE BROILER TOP

| ITEM | PART # | DESCRIPTION | QUANTITY | CRITICAL |
|------|----------------|--|----------|----------|
| 1A | 4523068 | 36" Main Channel – Front | 1 | |
| 1B | 4525530 | 36" Main Channel – Rear | 1 | |
| 2 | 4523069 | 36" Drip Angle | 2 | |
| 3 | 4523087 | Grate Support Rail | 2 | |
| 4 | 4523194 | Rail Support Bracket | 1 | |
| 5 | 4524650 | Deflector Crumb Tray | 1 | |
| 6 | 4524641 | RGB Rail Shield | 1 | |
| 7 | 4523820 | RGB Front Channel | 1 | |
| 8 | 4524642 | RGB Front Griddle Seal | 1 | |
| 9 | 4524038 | RGB Griddle Assembly | 1 | |
| 10 | 4523419 | 24" Rear Griddle Splash Guard | 1 | |
| 11 | 4523829 | RGB Back Liner | 1 | |
| 12 | 4523826 | RGB Side Liner Air Shield | 1 | |
| 13 | 4523819 | RGB Rack Stop Angle | 1 | |
| 14 | 4523810 | RGB Side Right | 1 | |
| 15 | 4522764 | Body Side Lt/Rt | 1 | |
| 16 | 4530485 | .437 (7/16) Dia Tubing SIT Valve to Oven Orifice Fitting - Oven on the Left (Standard or Convection) | 1 | |
| 17A | 4523142 | .187 (3/16) Dia Tubing SIT Valve to Oven Pilot - Oven on the Left (Standard Oven) | 1 | |
| 17B | 4529764 | .187 (3/16) Dia Tubing SIT Valve to Oven Pilot - Oven on the Left (Convection Oven) | | |
| 18 | 4529679 | .437 (7/16) Dia Tubing SIT Valve to Oven RGB - Oven on the Right (Standard or Convection) | 1 | |
| 19 | 4529680 | .187 (3/16) Dia Tubing SIT Valve to Oven Pilot RGB - Oven on the Right (Standard or Convection) | 1 | |
| 20 | 4523824 | RGB Grease Chute Front | 1 | |
| 21 | 4523825 | RGB Grease Chute Rear | 1 | |
| 23 | 4524649 | RGB Grease Drawer Assembly | 1 | |
| 24 | 4523812 | Grease Drawer Handle | 1 | |
| 25 | 1091000 | Ceramic Radiant RGB | 8 | |
| 26 | 4524643 | RGB Ceramic Support Lt/Rt | 2 | |
| 27 | 4524639 | RGB Valve Panel End Cap Right Long | 1 | |
| 28 | 4524640 | RGB Valve Panel End Cap Left | 1 | |
| 29 | 4523799 | RGB Valve Panel Side Shield | 1 | |
| 30 | 4523803 | RGB Burner Box Filler Right | 1 | |
| 31 | 4523813 | RGB Valve Panel, 24" | 1 | |
| 32 | 4515934 | 2.5" Carriage Bolt S/S | 2 | |
| 33 | 4521619 | RGB Front Rail Bar | 1 | |
| 34 | 3038601 | RGB Front Rail Bar Spacer S/S | 2 | |
| 35 | 4524638 | RGB Plate Rail | 1 | |
| 36 | 1086593 | RGB Hi-Lo Valve w/extension & #53F Orifice Natural Gas | 3 | C |
| | 1086594 | RGB Hi-Lo Valve w/extension & #61F Orifice Propane Gas | 3 | C |
| 37 | 4524670 | Knob Kit | 3 | C |
| 38 | 4523815 | Broiler Box Shield | 1 | |
| 39 | 4523823 | RGB Pilot Bracket | 3 | |
| 40 | 1473700 | Broiler Pilot Assembly - Natural Gas | 3 | C |
| | 1473701 | Broiler Pilot Assembly - Propane Gas | 3 | C |
| 41 | 4524667 | RGB Pilot Tubing | 3 | |
| 42 | 1086597 | 3/16" Pilot Gum Valve | 3 | |
| 43 | 4524681 | Valve Panel End Cap Right RGB | 1 | |
| 44 | 4523073 | Valve Panel End Cap Left | 1 | |

* NOT ILLUSTRATED

RECOMMENDED STOCK PARTS

**U.S. RANGE PARTS IDENTIFICATION
U Series Gas Restaurant Ranges**

RAISED GRIDDLE BROILER TOP

| ITEM | PART # | DESCRIPTION | QUANTITY | CRITICAL |
|-------------|---------------|--|-----------------|-----------------|
| 45 | 4526110 | Burner Box Filler | 2 | |
| 46 | 4523736 | 36" Valve Panel - RGB Right, Standard Oven Version | 1 | |
| | 4523735 | 36" Valve Panel - RGB Right, Convection Oven Version | 1 | |
| 47 | 4522402 | Crumb Tray Trim S/S | 1 | |
| 48 | 4523519 | False Trim Bracket | 2 | |
| 49 | 4523072 | 36" Plate Rail | 1 | |
| 50A | 4523832 | RGB Tray Trim S/S | 1 | |
| 50B | 4523828 | RGB Grease Tray | 1 | |
| 50C | F554 | Rivet .125" Dia. SS | 1 | |
| 50D | CK4523828 | RGB Grease Tray Assembly | 1 | |
| 52 | 4522565 | 60" Manifold Assembly RGB Right (without fittings) | 1 | C |
| 53 | 1028002 | RGB Burner Air Shutter | 3 | |
| 54 | 1090500 | RGB Burner | 3 | |
| 56 | 4523822 | RGB Burner Rest | 1 | |
| 57 | 1090600 | RGB Wire Rack | 1 | |
| 58 | 4524648 | RGB Wire Rack Drip Shield | 1 | |
| 59 | 4523746 | 2.5" Dia Nickel Plated Steel Hole Plug - Storage Base Left/Right | MAX 2 | |

* NOT ILLUSTRATED

RECOMMENDED STOCK PARTS

Blank Page

**U.S. RANGE PARTS IDENTIFICATION
U Series Gas Restaurant Ranges**

THERMOSTAT GRIDDLE TOP

| ITEM | PART # | DESCRIPTION | T-STAT GRIDDLE TOP | | | | | FROM | UP TO | CRITICAL |
|------|-----------------|--|--------------------|-----|---------|---------|-----|-----------|-----------|----------|
| | | | 12" | 24" | 36" R/L | 48" R/L | 60" | | | |
| 1A | 4523179 | Hot Top / Griddle Burner Box Note: Requires Thermostat Griddle Service Kit (Item#46). | 1 | 2 | 3 | 4 | 5 | | 21-JUL-08 | |
| 1B^ | 4525514 | Griddle / Hot Top Burner Box | 1 | 2 | 3 | 4 | 5 | 21-JUL-08 | | |
| 2^ | 4525463 | H-Burner W/Shutter Assembly (Partially Ported) Note: Assembly includes a partially ported H-burner (#3B) and an air shutter (#4). | 1 | 2 | 3 | 4 | 5 | 21-JUL-08 | | |
| 3A | 1014900 | Cast Iron H-Burner (Fully Ported) Replaced by P/N 4525463 (Item 2B) | 1 | 2 | 3 | 4 | 5 | | 20-JUL-08 | |
| 3B | 1014901 | Cast Iron H-Burner (Partially Ported) | 1 | 2 | 3 | 4 | 5 | 21-JUL-08 | | |
| 4 | 1028002 | Air Shutter - Hot Top / Griddle | 1 | 2 | 3 | 4 | 5 | | | |
| 5 | 4523221 | Grease Drawer Shield | | 1 | 1 | 2 | 2 | | | |
| 6 | 2200701 | Pilot L/H #0.145.007 | 1 | 2 | 3 | 4 | 5 | | | C |
| 7 | 2431900 | Orifice Fitting (Orifice Hood Not Included) | 1 | 2 | 3 | 4 | 5 | | | C |
| 8 | M8-47 | Griddle Orifice Small - Natural Gas #47 | 1 | 2 | 3 | 4 | 5 | | | C |
| | M8-1.3mm | Griddle Orifice Small - Propane Gas #1.3mm | 1 | 2 | 3 | 4 | 5 | | | C |
| 9 | 4523212 | Thermostat Griddle Orifice Bracket | 1 | 2 | 3 | 4 | 5 | | | |
| 10A | 4524326 | 12" Chute Rear Plate | 1 | | | | | | | |
| 10B | 4524325 | 12" Grease Chute Funnel | 1 | | | | | | | |
| 11A | 4523219 | Grease Chute Rear | | 1 | 1 | 2 | 2 | | | |
| 11B | 4523218 | Grease Chute Funnel | | 1 | 1 | 2 | 2 | | | |
| 12 | 4524158 | Griddle / Hot Box Patch | | 1 | 2 | 2 | 3 | | | |
| 13A | 4523176 | Sit Pilot Bracket Note: Requires Thermostat Griddle Service Kit (Item#46). | 1 | 2 | 3 | 4 | 5 | | 21-JUL-08 | |
| 13B^ | 4525503 | SIT Pilot Bracket | 1 | 2 | 3 | 4 | 5 | 21-JUL-08 | | |
| 14 | 4523007 | SIT Thermostat Griddle Control Note: Use 4525399 (item 14A) - Thermostat Griddle SIT Assembly | 1 | 2 | 3 | 4 | 5 | | | C |
| 14A | 4525399 | Thermostat Griddle SIT Assembly Note: Assembly includes a SIT control (item 14), a capillary shield (item 16), an insulating sleeve (item#51), fasteners, and instructions. | 1 | 2 | 3 | 4 | 5 | | | C |
| 15 | 4524672 | T-stat Griddle Knob Assembly Deg F | 1 | 2 | 3 | 4 | 5 | | | C |
| | 4524673 | T-stat Griddle Knob Assembly Deg C | 1 | 2 | 3 | 4 | 5 | | | C |
| 16 | 4524358 | Capillary Shield | 1 | 2 | 3 | 4 | 5 | | | |
| 19 | 4525512 | Griddle Box Heat Shield / Front Seal | 1 | 2 | 3 | 4 | 5 | | | |
| 21 | 4522401 | Crumb Tray | 1 | | | | | | | |
| 22 | F554 | Rivet .125" Dia. SS | 1 | | | | | | | |
| 23 | 4522402 | Crumb Tray Trim | 1 | | | | | | | |
| 24 | CK4523334 | Crumb Tray Assembly | 1 | | | | | | | |
| 25 | 4523214 | Vertical Mounting Bracket | 1 | 2 | 3 | 4 | 5 | | | |
| 26 | 4523493 | Grease Drawer Assembly | | 1 | 1 | 2 | 2 | | | |
| 27 | 4523217 | Grease Drawer Handle | | 1 | 1 | 2 | 2 | | | |

* NOT ILLUSTRATED

RECOMMENDED STOCK PARTS

^ Used FROM (DATE) July 21, 2008 / (SERIAL#) 0807100100942 / (MODEL) G36-G36R-0012

U.S. RANGE PARTS IDENTIFICATION

U Series Gas Restaurant Ranges

THERMOSTAT GRIDDLE TOP

| ITEM | PART # | DESCRIPTION | T-STAT GRIDDLE TOP | | | | | FROM | UP TO | CRITICAL |
|---------|---|--|--------------------|-----|---------|---------|-----|------|-------|----------|
| | | | 12" | 24" | 36" R/L | 48" R/L | 60" | | | |
| 28 | 4523064 | Comp. Fitting 3/8T x 1/8P | 1 | 2 | 3 | 4 | 5 | | | |
| 29 | 4525531 | Male 3/8"Tx 3/8" P Straight Connector | 2 | 4 | 6 | 8 | 10 | | | |
| 30 | 4523081 | SIT Shield Mount | 1 | 2 | 3 | 4 | 5 | | | |
| 31 | 2200702 | Pilot Orifice #32 Natural Gas | 1 | 2 | 3 | 4 | 5 | | | C |
| | 2200703 | Pilot Orifice #23 Propane Gas | 1 | 2 | 3 | 4 | 5 | | | C |
| 35 | 2200704 | 3/16" Compression Nut - Oven Pilot | 1 | 2 | 3 | 4 | 5 | | | |
| 36 | 2200705 | 3/16" Ferrule - Oven Pilot | 1 | 2 | 3 | 4 | 5 | | | |
| 37 | 4523235 | 12" Griddle Assembly | 1 | | | | | | | |
| | 4523234 | 24" Griddle Assembly | | 1 | | | | | | |
| | 4523781 | 24" Griddle Assembly (Fully Grooved) | | 1 | | | | | | |
| | 4523782 | 24" Griddle Assembly (Right Grooved) | | 1 | | | | | | |
| | 4523783 | 24" Griddle Assembly (Left Grooved) | | 1 | | | | | | |
| | 4523236 | 36" Griddle Assembly | | | 1 | | | | | |
| | 4523784 | 36" Griddle Assembly (Fully Grooved) | | | 1 | | | | | |
| | 4523785 | 36" Griddle Assembly (Right Grooved) | | | 1 | | | | | |
| | 4523786 | 36" Griddle Assembly (Left Grooved) | | | 1 | | | | | |
| | 4523931 | 36" Griddle Assembly - Middle Chute (Used only on 48" unit w/36" Griddle on Left) | | | 1(L) | | | | | |
| | 4523932 | 36" Griddle Assembly - Middle Chute - Fully Grooved (Used only on 48" unit w/36" Griddle on Left) | | | 1(L) | | | | | |
| | 4523933 | 36" Griddle Assembly - Middle Chute - Right Grooved (Used only on 48" unit w/36" Griddle on Left) | | | 1(L) | | | | | |
| | 4523934 | 36" Griddle Assembly - Middle Chute - Left Grooved (Used only on 48" unit w/36" Griddle on Left) | | | 1(L) | | | | | |
| | 4523387 | 48" Griddle Assembly - R/H Side | | | | 1(R) | | | | |
| | 4523787 | 48" Griddle Assembly (Fully Grooved) - R/H Side | | | | 1(R) | | | | |
| | 4523788 | 48" Griddle Assembly (Right Grooved) - R/H Side | | | | 1(R) | | | | |
| | 4523789 | 48" Griddle Assembly (Left Grooved) - R/H Side | | | | 1(R) | | | | |
| | 4524404 | 48" Griddle Assembly - L/H Side (Used only on 60" units w/48" Griddle Left) | | | | 1(L) | | | | |
| | 4524405 | 48" Griddle Assembly (Fully Grooved) - L/H Side (Used only on 60" units w/48" Griddle Left) | | | | 1(L) | | | | |
| | 4524406 | 48" Griddle Assembly (Right Grooved) - L/H Side (Used only on 60" units w/48" Griddle Left) | | | | 1(L) | | | | |
| 4524407 | 48" Griddle Assembly (Left Grooved) - L/H Side (Used only on 60" units w/48" Griddle Left) | | | | 1(L) | | | | | |
| 4523388 | 60" Griddle Assembly | | | | | 1 | | | | |
| 4523790 | 60" Griddle Assembly (Fully Grooved) | | | | | 1 | | | | |
| 4523791 | 60" Griddle Assembly (Right Grooved) | | | | | 1 | | | | |
| 4523792 | 60" Griddle Assembly (Left Grooved) | | | | | 1 | | | | |
| 38 | 4523245 | Bulb Clamp | 1 | 2 | 3 | 4 | 5 | | | |
| 39 | 4523246 | Bulb Shield | 1 | 2 | 3 | 4 | 5 | | | |
| 40 | 4523418 | Rear Griddle Splash Guard - 12" | 1 | | | | | | | |
| | 4523419 | Rear Griddle Splash Guard - 24" | | 1 | | | | | | |
| | 4523420 | Rear Griddle Splash Guard - 36" | | | 1 | | | | | |
| | 4523421 | Rear Griddle Splash Guard - 48" | | | | 1 | | | | |
| | 4523422 | Rear Griddle Splash Guard - 60" | | | | | 1 | | | |
| 41 | 4525515 | Burner Side Deflector / Baffle | 2 | 4 | 6 | 8 | 10 | | | |

* NOT ILLUSTRATED

RECOMMENDED STOCK PARTS

^ Used FROM (DATE) July 21, 2008 / (SERIAL#) 0807100100942 / (MODEL) G36-G36R-0012

U.S. RANGE PARTS IDENTIFICATION

U Series Gas Restaurant Ranges

THERMOSTAT GRIDDLE TOP

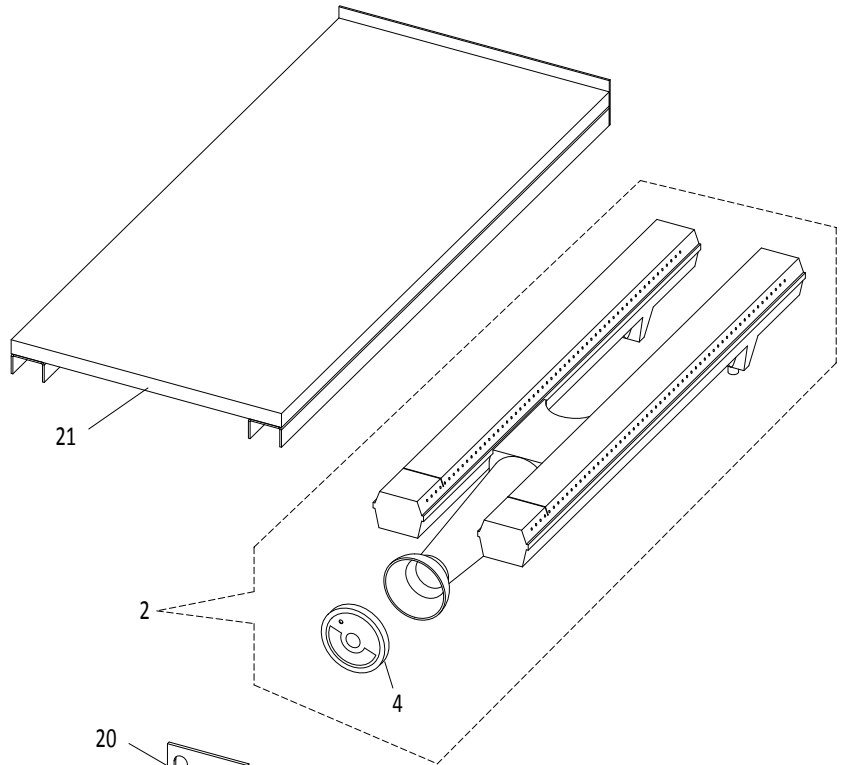
| ITEM | PART # | DESCRIPTION | T-STAT GRIDDLE TOP | | | | | FROM | UP TO | CRITICAL |
|------|----------------|--|--------------------|-----|---------|---------|-----|-----------|------------|----------|
| | | | 12" | 24" | 36" R/L | 48" R/L | 60" | | | |
| 42A | 4523285 | 3/16 Tubing TG - Sit to Pilot Note: Requires Thermostat Griddle Service Kit (Item#46). | 1 | 2 | 3 | 4 | 5 | | 21-JUL;-08 | |
| 42B^ | 4525534 | 3/16 Tubing TG - Sit to Pilot | 1 | 2 | 3 | 4 | 5 | 21-JUL-08 | | |
| 42C | 4527220 | SIT Pilot Tube Connection | 1 | 2 | 3 | 4 | 5 | | | |
| 43 | 4523409 | 3/8 x 10" long Flex-Tubing - Manifold to SIT Inlet | 1 | 2 | 3 | 4 | 5 | | | |
| 44 | 4523409 | 3/8 x 10" long Flex Tubeing - TH Griddle | 1 | 2 | 3 | 4 | 5 | | | |
| 45 | 4523505 | Thermocouple SIT - 18" Long | 1 | 2 | 3 | 4 | 5 | | | C |
| 46* | 4525569 | Thermostat Griddle Service Kit Note: Kit includes burner box (#1B), H-Burner Asm (#2), capillary shield (#16), pilot bracket (#13B), griddle box heat shield (#19), burner side deflectors (#41), orifice (#8), fasteners, and instructions. | | | | | | | | C |
| 47 | 4524416 | False Trim 6" (Only Used on 60" Units W/48" Griddle Left) | | | | 1(L) | | | | |
| | 4524414 | False Trim 12" (Only Used on 48" Units W/36" Griddle Left & 60" Units W/48 Griddle Left.) | | | | 1(L) | | | | |
| | 4523552 | False Trim 16" | | 1 | | 1(L) | | | | |
| | 4523690 | False Trim 17" (Only Used on 36" Units W/24" Griddle Right) | | | | 1(R) | | | | |
| | 4524412 | False Trim 18" | | | | 1(R) | 1 | | | |
| | 4523528 | False Trim 28" (Used on 36" Units W/36" Griddle 60" Units W/60" Griddle & 60" Unit W/36 Griddle Left) | | | 1 | | 1 | | | |
| | 4523516 | False Trim 29" Used only for 48"&60" Range Models w/36" Griddles | | | 1 | | | | | |
| 48 | 4523519 | False Trim Bracket | | 2 | 2 | 4 | 4 | | | |
| 49 | 1309201 | Piezo Igniter | 1 | 2 | 3 | 4 | 5 | | | C |
| 50 | CK2200211 | 12" High Tension Wire Leads | 1 | 2 | 3 | 4 | 5 | | | C |
| 51 | G03883R | Thermoflex Insulating Sleeve (sold by the foot) Note: Require 12" for each item# 50, and 22" for each Griddle Thermostat Capillary. | | | | | | | | |
| 52 | 2200706 | Thermocouple Retaining Nut | 1 | 2 | 3 | 4 | 5 | | | C |
| 53 | 2200707 | Nut, Electro | 1 | 2 | 3 | 4 | 5 | | | C |
| 54 | 2200708 | Electro | 1 | 2 | 3 | 4 | 5 | | | C |

* NOT ILLUSTRATED

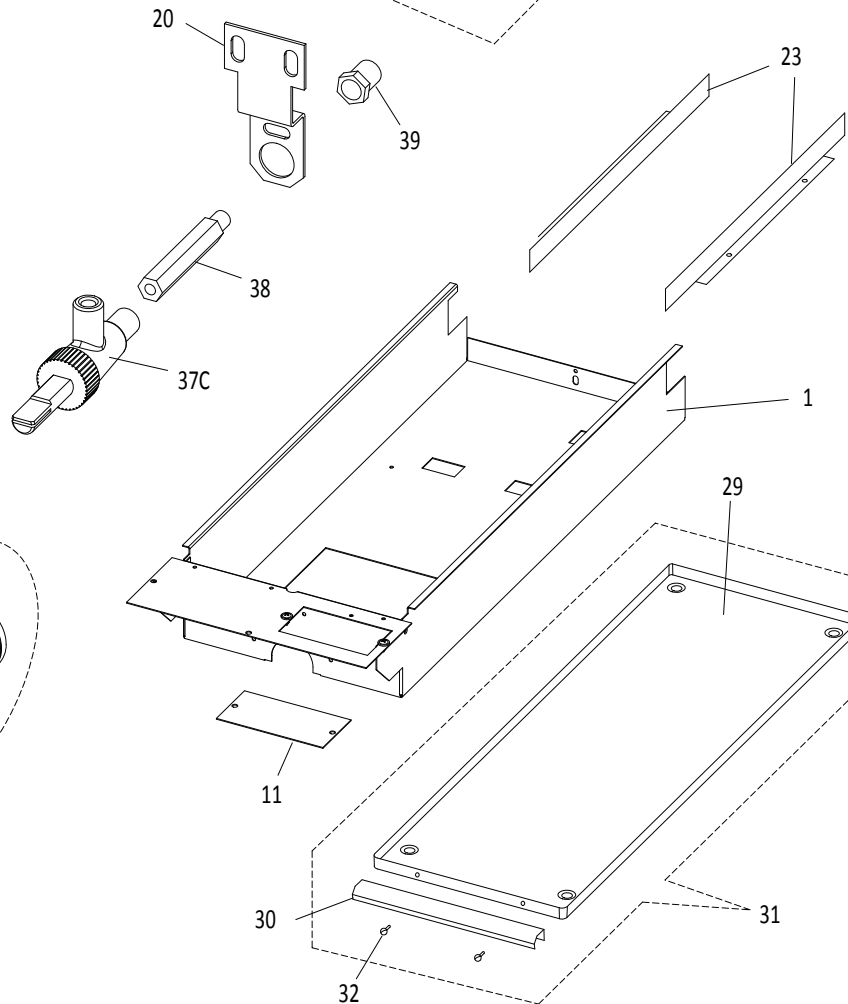
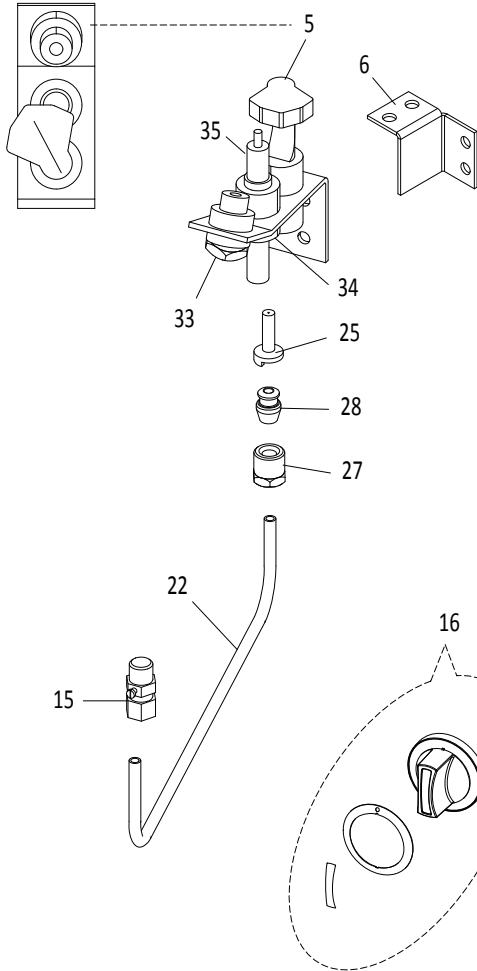
RECOMMENDED STOCK PARTS

^ Used FROM (DATE) July 21, 2008 / (SERIAL#) 0807100100942 / (MODEL) G36-G36R-0012

U Series Gas Restaurant Ranges
HOT TOP (12" SECTION SHOWN)



Pilot L/H
 Top View



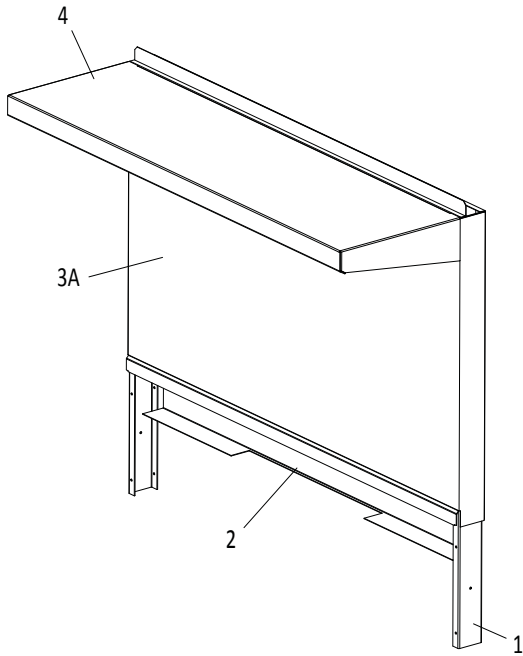
**U.S. RANGE PARTS IDENTIFICATION
U Series Gas Restaurant Ranges**

HOT TOP

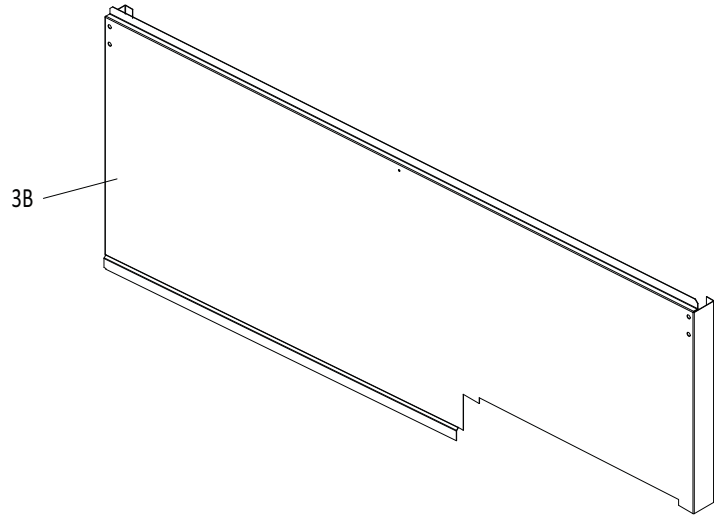
| ITEM | PART # | DESCRIPTION | HOT TOP | | | FROM | UP TO | CRITICAL |
|------|-----------------|---|---------|-----|-----|----------|----------|----------|
| | | | 12" | 24" | 36" | | | |
| 1 | 4525514 | Hot Top / Griddle Burner Box | 1 | 2 | 3 | | | |
| 2 | 4525463 | H-Burner W/Shutter Assembly (Partially Ported) Note: Assembly includes a cast iron H-burner (p/n 1014901) and an air shutter (item# 4). | 1 | 2 | 3 | | | |
| 4 | 1028002 | Air Shutter - Hot Top / Griddle | 1 | 2 | 3 | | | |
| 5 | 2200701 | Pilot L/H #0.145.007 | 1 | 2 | 3 | | | C |
| 6 | 4525503 | SIT Pilot Bracket | 1 | 2 | 3 | | | |
| 11 | 4524158 | Griddle / Hot Top Box Patch | 1 | 2 | 3 | | | |
| 15 | 1086597 | Pilot Gum Valve | 1 | 2 | 3 | | | |
| 16 | 4524670 | Knob Assembly | 1 | 2 | 3 | | | |
| 20 | 4523483 | Hot Top Valve Extension Support | 1 | 2 | 3 | | | |
| 21 | 4523148 | Hot Top 12" Assembly | 1 | 2 | 3 | | | |
| 22 | 4523286 | 3/16" Tubing Hot Top Pilot To Gum Valve | 1 | 2 | 3 | | | |
| 23 | 4525515 | Burner Side Deflector | 2 | 4 | 6 | | | |
| 25 | 2200702 | Pilot Orifice #32 Natural Gas | 1 | 2 | 3 | | | C |
| | 2200703 | Pilot Orifice #23 Propane Gas | 1 | 2 | 3 | | | C |
| 27 | 2200704 | 3/16" Compression Nut | 1 | 2 | 3 | | | C |
| 28 | 2200705 | 3/16" Ferrule | 1 | 2 | 3 | | | C |
| 29 | 4522401 | Crumb Tray | 1 | 2 | 3 | | | |
| 30 | 4522402 | Crumb Tray Trim | 1 | 2 | 3 | | | |
| 31 | CK4523334 | Crumb Tray Assembly | 1 | 2 | 3 | | | |
| 32 | F554 | Rivet .125" Dia. SS | 2 | 4 | 6 | | | |
| 33 | 2200706 | Thermocouple Retaining Nut | 1 | 2 | 3 | | | C |
| 34 | 2200707 | Nut, Electro | 1 | 2 | 3 | | | C |
| 35 | 2200708 | Electro | 1 | 2 | 3 | | | C |
| 37A | 1086580 | Hi-Low Valve Assembly, Natural Gas #47 w/ Extension and Orifice | 1 | 2 | 3 | | 1-DEC/09 | C |
| | 1086595 | Hi-Low Valve Assembly, Propane Gas #1.3mm w/ Extension and Orifice | 1 | 2 | 3 | | 1-DEC/09 | C |
| 37B | 26878xx | Open Burner Valve, no Hood Note: Used UP TO (date) 2-May/12 (model) G36-6R-0005 / U36-6C-0014 (serial#) 1204100101467 / 1204100101482 | 1 | 2 | 3 | 2-DEC/09 | 2-MAY/12 | C |
| 37C | 4530671 | Open Burner Valve, no Hood Note: Used FROM (date) 2-May/12 (model) G36-6R-0005 / U36-6C-0014 (serial#) 1204100101467 / 1204100101482 | 1 | 2 | 3 | 2-MAY/12 | | C |
| 38 | 2706802 | Valve Extension, 3.25" | 1 | 2 | 3 | | | C |
| 39 | M8-47 | Hot Top/Griddle Orifice Natural Gas #47 | 1 | 2 | 3 | | | C |
| | M8-1.3mm | Hot Top/Griddle Orifice Propane Gas #1.3mm | 1 | 2 | 3 | | | C |

* NOT ILLUSTRATED

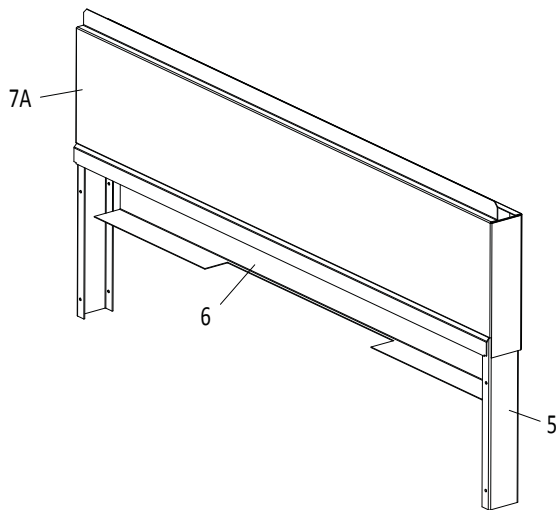
RECOMMENDED STOCK PARTS



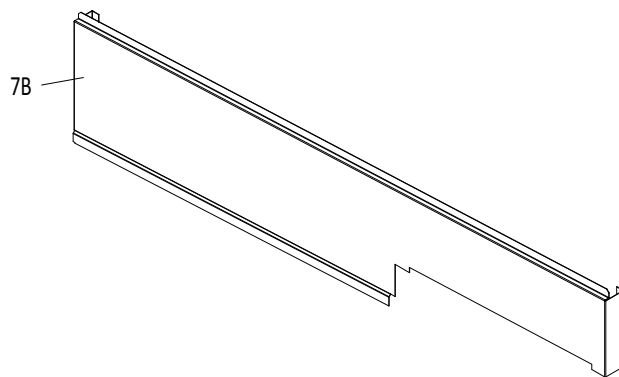
36" High Shelf Shown



60" High Shelf Front Panel
for Raised Griddle Broiler Only



48" Back Guard Shown



60" Low Guard Front Panel
for Raised Griddle Broiler Only

U.S. RANGE PARTS IDENTIFICATION

U Series Gas Restaurant Range

HIGH SHELF & LOW PROFILE BACK GUARD COMPONENTS

| ITEM | PART # | DESCRIPTION | QUANTITY |
|---|---------|--|----------|
| High Shelf (HS) Components | | | |
| 1 | 4523112 | High Shelf Upright (Vertical Side Channel) | 2 |
| 2 | 4523267 | 24" HS Back Panel | 1 |
| | 4524105 | 24" HS Back Panel - S/S | 1 |
| | 4523111 | 36" HS Back Panel | 1 |
| | 4523312 | 36" HS Back Panel - S/S | 1 |
| | 4523290 | 48" HS Back Panel | 1 |
| | 4524106 | 48" HS Back Panel - S/S | 1 |
| | 4523268 | 60" HS Back Panel | 1 |
| | 4524107 | 60" HS Back Panel - S/S | 1 |
| 3A | 4523289 | 24" HS Front Panel | 1 |
| | 4523110 | 36" HS Front Panel | 1 |
| | 4523291 | 48" HS Front Panel | 1 |
| | 4523264 | 60" HS Front Panel | 1 |
| 3B | 4523833 | 60" HS Front Panel - for Raised Griddle Broiler Model Only | 1 |
| 4 | 4523293 | 24" Shelf | 1 |
| | 4523113 | 36" Shelf | 1 |
| | 4523294 | 48" Shelf | 1 |
| | 4523270 | 60" Shelf | 1 |
| <p>9" Low Profile Back Guard (LPBG) Components</p> <p>NOTE: ALL 6" Low Profile Back Guard Components Are No Longer Available (Nla). Replacing Any 6" Low Profile Components Will Require A Complete Conversion To The 9" Low Profile Back Guard Assembly.</p> | | | |
| 5 | 4525520 | 9" LPBG Upright (Vertical Side Channel) | 2 |
| | 4524097 | 9" LPBG Upright (Vertical Side Channel) for Raised Griddle Broiler Model Only | 2 |
| 6 | 4525521 | 24" LPBG Back Panel | 1 |
| | 4525522 | 24" LPBG Back Panel - S/S | 1 |
| | 4525523 | 36" LPBG Back Panel | 1 |
| | 4525524 | 36" LPBG Back Panel - S/S | 1 |
| | 4525525 | 48" LPBG Back Panel | 1 |
| | 4525526 | 48" LPBG Back Panel - S/S | 1 |
| | 4525527 | 60" LPBG Back Panel | 1 |
| | 4525528 | 60" LPBG Back Panel - S/S | 1 |
| | 4523887 | 60" LPBG Back Panel - for Raised Griddle Broiler Model Only | 1 |
| | 4523895 | 60" LPBG Back Panel - S/S - for Raised Griddle Broiler Model Only | 1 |
| 7A | 4525516 | 24" LPBG Front Panel | 1 |
| | 4525517 | 36" LPBG Front Panel | 1 |
| | 4525518 | 48" LPBG Front Panel | 1 |
| | 4525519 | 60" LPBG Front Panel | 1 |
| 7B | 4523886 | 60" LPBG Front Panel - for Raised Griddle Broiler Model Only | 1 |

U.S. RANGE PARTS IDENTIFICATION

U Series Gas Restaurant Range

CRITICAL & RECOMMENDED STOCK PARTS LIST

| PART# | DESCRIPTION |
|---------|--|
| 1005800 | Oven Door Spring |
| 1019600 | Door Switch, Convection Oven |
| 1082802 | Hinge Link Rt |
| 1082803 | Oven Door Hinge Link L/H |
| 1086580 | Hi-Low Valve Assembly, Natural Gas #47 w/ Extension and Orifice |
| 1086593 | RGB Hi-Lo Valve w/extension & #53F Orifice Natural Gas |
| 1086594 | RGB Hi-Lo Valve w/extension & #61F Orifice Propane Gas |
| 1086595 | Hi-Low Valve Assembly, Propane Gas #1.3mm w/ Extension and Orifice |
| 1309201 | Piezo Igniter #1244-41 |
| 1358900 | Switch (Power Switch ON/OFF/ON), Convection Oven |
| 1473700 | Broiler Pilot Assembly - Natural Gas |
| 1473701 | Broiler Pilot Assembly - Propane Gas |
| 2127500 | Regulator - Propane Gas 10" WC |
| 2127502 | Regulator - Natural Gas 4.5" WC |
| 2200700 | Pilot R/H #0.145.010, Oven |
| 2200701 | Pilot L/H #0.145.007, Oven |
| 2200702 | Pilot Orifice #32 Natural Gas |
| 2200703 | Pilot Orifice #23 Propane |
| 2200704 | 3/16" Compression Nut - Oven Pilot |
| 2200705 | 3/16" Ferrule - Oven Pilot |
| 2200706 | Thermocouple Retaining Nut |
| 2200707 | Nut Electrode #0.974.144 |
| 2200708 | Electrode #0.915.025 |
| 2431900 | Orifice Fitting (Orifice Hood Not Included) |
| 2485800 | RC Motor 1/3 HP, 208/240V, 50/60 Hz |
| 2485801 | RC Motor 1/3 HP, 115V, 60Hz |
| 2706802 | Valve Extension, 3.25" |
| 4515043 | RC Motor Assembly Kit 115V |
| 4522421 | Regulator - Natural Gas 4.5" WC (1" Regulator) |
| 4522422 | Regulator - Propane Gas 10" WC (1" Regulator) |
| 4522561 | Manifold Assembly 24" (without Fittings) |
| 4522562 | Manifold Assembly 36" (without Fittings) |
| 4522563 | Manifold Assembly 48" (without Fittings) |
| 4522564 | Manifold Assembly (without Fittings) |
| 4522565 | 60" Manifold Assembly RGB Right (without fittings) |
| 4523006 | SIT Oven Control |
| 4523007 | SIT Thermostat Griddle Control |
| 4523222 | Switch Box, Convection Oven |
| 4523497 | 6" Long J-Bolt (F598) |
| 4523505 | Thermocouple SIT - 18" Long |
| 4523506 | Thermocouple Oven 60" |

| PART# | DESCRIPTION |
|-------------|---|
| 4524668 | Knob Assembly - Oven SIT, deg. F |
| 4524669 | Knob Assembly - Oven SIT, deg. C |
| 4524670 | Knob Assembly |
| 4524671 | Hi-Lo Griddle Knob Assembly |
| 4524672 | T-stat Griddle Knob Assembly Deg F |
| 4524673 | T-stat Griddle Knob Assembly Deg C |
| 4524825 | Range Oven Pilot Kit Natural Gas (on R/H of burner) |
| 4524826 | Range Oven Pilot Kit Natural Gas (on L/H of burner) |
| 4524827 | Range Oven Pilot Kit Propane Gas (on R/H of burner) |
| 4524828 | Range Oven Pilot Kit Propane Gas (on L/H of burner) |
| 4525399 | Thermostat Griddle SIT Assembly |
| 4525569 | Thermostat Griddle Service Kit |
| 4527831 | Extension 1/8" NPT Male To 1/8" NPT Female Brass |
| 4530671 | Open Burner Valve, no Hood |
| 9004701 | Oven Door Spring Hook |
| 1415530F | Oven Orifice Fitting w/#30 hood (Natural Gas) |
| 1415533F | Oven Orifice Fitting with #33 Hood (Natural) |
| 1415550F | Oven Orifice Fitting w/#50 Hood (Propane) |
| 1415551F | Oven Orifice Fitting with #51 Hood (Propane) |
| 14155XX | Oven Orifice Fitting (without orifice) |
| 26878XX | Open Burner Valve, no Hood |
| CK2200211 | 12" High Tension Wire Leads |
| G02486-1300 | Orifice Fitting 1.3mm - Propane Gas |
| G02486-47F | Orifice Fitting 47F - Natural Gas |
| G02486XX | Orifice Fitting (without orifice) |
| G02599-01 | HI-LOW Valve with 90 Degree Elbow |
| M8-1.3MM | Hot Top/Griddle Orifice Propane Gas #1.3mm |
| M8-37 | Small Orifice Natural Gas #37 |
| M8-47 | Hot Top/Griddle Orifice Natural Gas #47 |
| M8-53 | Small Orifice Propane Gas #53 |
| M9-30 | Large Orifice #30 Natural Gas |
| M9-33 | Large Orifice #33 Natural Gas |
| M9-50 | Large Orifice #50 Propane |
| M9-51 | Large Orifice # 51 Propane |

U.S. RANGE PARTS IDENTIFICATION

U Series Gas Restaurant Range

LIST OF WIRING DIAGRAMS, MANUALS & GAS CONVERSION KITS

WIRING DIAGRAMS

(For reference only. Please contact technical service for assistance.)

| PART# | DESCRIPTION |
|---------|---|
| 4524261 | Wiring Diagram - U36, Single Convection Oven |
| 4529836 | Wiring Diagram - U48/U60, Single Convection Oven on Right |
| 4524262 | Wiring Diagram - U48, Single Convection Oven on Left |
| 4524263 | Wiring Diagram - U60 Double Convection Ovens |
| 4524800 | Wiring Diagram - U60 Raised Griddle Broiler - Single Convection Oven on Right |
| 4524801 | Wiring Diagram - U60 Raised Griddle Broiler - Single Convection Oven on Left |
| 4524802 | Wiring Diagram - U60 Raised Griddle Broiler - Double Convection Ovens |

MANUALS / INSTRUCTION SHEETS

| PART# | DESCRIPTION |
|---------|--|
| 4523341 | Installation and Operation Manual |
| GCTRM | Gas Control - Technical Reference Manual - Garland/USRange |
| 4525482 | Backguard Installation Instructions |

GAS CONVERSION KITS

| PART# | DESCRIPTION |
|---------|--|
| 4525165 | Conversion Kit 24" / 36" G/U/X Ranges - To Propane Gas |
| 4525166 | Conversion Kit 24" / 36" G/U/X Ranges - To Natural Gas |
| 4525314 | Conversion Kit 48" / 60" G/U/X Ranges - To Propane Gas |
| 4525316 | Conversion Kit 48" / 60" G/U/X Ranges - To Natural Gas |

Revision history

| REV# | PAGE # | ITEM # | NOTES | DATE |
|------|----------------------------------|-------------|--|-----------|
| 16 | 7, 13, 19, 25, 31, 39, 45, 53 | 201 | Corrected illustration for 6" flanged foot. | 23-AUG/12 |
| 17 | 60-61 | 8A,8B | Burner gas valve, new: 4530671 and old: 26878XX. See info in description. PCO06146. | 19-OCT/12 |
| | 62-65 | 8 | Removed 1014901. Use 4525463 with Air Shutter | |
| | 66-68 | 36 | Revised descriptions. #53F, was #53; #61F, was #61. | |
| | 74-75 | 37A,37B,37C | Gas Valves 1086580/1086595 are obsolete. See dates. This information was removed in Rev 15. Put back in Rev 17 with dates info. Gas Valve 26878xx was used. See dates. Current Gas Valve - 4530671. See info in description. PCO06146. | |



U.S. Range
