



INSTALLATION AND OPERATION MANUAL

SUNFIRE SX SERIES GAS RESTAURANT RANGES



FOR YOUR SAFETY:
DO NOT STORE OR USE GASOLINE
OR OTHER FLAMMABLE VAPORS OR
LIQUIDS IN THE VICINITY OF
THIS OR ANY OTHER
APPLIANCE

WARNING:
IMPROPER INSTALLATION, ADJUSTMENT,
ALTERATION, SERVICE OR MAINTENANCE
CAN CAUSE PROPERTY DAMAGE, INJURY,
OR DEATH. READ THE INSTALLATION,
OPERATING AND MAINTENANCE
INSTRUCTIONS THOROUGHLY
BEFORE INSTALLING OR
SERVICING THIS EQUIPMENT

PLEASE READ ALL SECTIONS OF THIS MANUAL
AND RETAIN FOR FUTURE REFERENCE.

THIS PRODUCT HAS BEEN CERTIFIED AS
COMMERCIAL COOKING EQUIPMENT AND
MUST BE INSTALLED BY PROFESSIONAL
PERSONNEL AS SPECIFIED.

IN THE COMMONWEALTH OF MASSACHUSETTS
THIS PRODUCT MUST BE INSTALLED BY A
LICENSED PLUMBER OR GAS FITTER. APPROVAL
NUMBER: G-1-07-05-28

For Your Safety:
Post in a prominent location, instructions to be
followed in the event the user smells gas. This
information shall be obtained by consulting
your local gas supplier.

Users are cautioned that maintenance and repairs must be performed by a Garland authorized service agent using genuine Garland replacement parts. Garland will have no obligation with respect to any product that has been improperly installed, adjusted, operated or not maintained in accordance with national and local codes or installation instructions provided with the product, or any product that has its serial number defaced, obliterated or removed, or which has been modified or repaired using unauthorized parts or by unauthorized service agents. For a list of authorized service agents, please refer to the Garland web site at <http://www.garland-group.com>. The information contained herein, (including design and parts specifications), may be superseded and is subject to change without notice.

GARLAND COMMERCIAL INDUSTRIES
185 East South Street
Freeland, Pennsylvania 18224
Phone: (570) 636-1000
Fax: (570) 636-3903

GARLAND COMMERCIAL RANGES, LTD.
1177 Kamato Road, Mississauga, Ontario L4W 1X4
CANADA
Phone: 905-624-0260
Fax: 905-624-5669

Enodis UK LTD.
Swallowfield Way, Hayes, Middlesex UB3 1DQ ENGLAND
Telephone: 081-561-0433
Fax: 081-848-0041

IMPORTANT INFORMATION

WARNING:

This product contains chemicals known to the state of California to cause cancer and/or birth defects or other reproductive harm. Installation and servicing of this product could expose you to airborne particles of glass wool/ceramic fibers. Inhalation of airborne particles of glass wool/ceramic fibers is known to the state of California to cause cancer. Operation of this product could expose you to carbon monoxide if not adjusted properly. Inhalation of carbon monoxide is known to the state of California to cause birth defects or other reproductive harm.

Keep appliance area free and clear of combustibles.

TABLE OF CONTENTS

| | | | |
|--|----------|---|-----------|
| IMPORTANT INFORMATION..... | 2 | OPERATION..... | 9 |
| DIMENSIONS AND SPECIFICATIONS | 4 | Open Top burners | 9 |
| Gas Pressures | 4 | Hot top Sections | 9 |
| Individual Burner Input Rates | 4 | Valve Controlled Griddles | 9 |
| Models Designations..... | 4 | Raised Broiler/Griddles | 9 |
| Dimensions..... | 5 | General..... | 10 |
| INTRODUCTION..... | 5 | Standard Ovens..... | 10 |
| INSTALLATION | 6 | Open Burners..... | 11 |
| Siting..... | 6 | Hot tops..... | 11 |
| Appliances Equipped with Casters..... | 6 | Griddles | 11 |
| Appliances Equipped with legs | 6 | MAINTENANCE AND CLEANING..... | 12 |
| Installing Shelf to Backguard | 6 | Stainless Steel | 12 |
| Installing a Backguard or Shelf..... | 7 | Interior Cleaning of Standard Aluminized Steel Interior Surfaces | 12 |
| Ventilation Air | 7 | Open Top Burners | 12 |
| Statutory Regulations | 7 | Cast Iron Top & Ring Grates..... | 13 |
| Gas Connection..... | 7 | Griddle..... | 13 |
| Installation Notes:..... | 8 | Hot Tops..... | 13 |
| TESTING & ADJUSTMENT | 8 | | |
| Testing | 8 | | |
| Griddle Seasoning | 9 | | |

DIMENSIONS AND SPECIFICATIONS

Gas Pressures

| GAS | MINIMUM SUPPLY GAS PRESSURE | | MANIFOLD OPERATING PRESSURE | |
|---------|-----------------------------|-----------|-----------------------------|------------|
| | | | | |
| Natural | 7" WC | 17.5 mbar | 4.5" WC | 11.25 mbar |
| Propane | 11" WC | 27.5 mbar | 10.0" WC | 25 mbar |

Individual Burner Input Rates

| BURNER | NATURAL GAS | | PROPANE GAS | |
|--------------------------------|--------------|------------------|--------------|------------------|
| | INPUT BTU/HR | ORIFICE SIZE DMS | INPUT BTU/HR | ORIFICE SIZE DMS |
| Open Burner | 28,000 | #39 | 28,000 | 1.5 mm |
| Hot Top, | 20,000 | #45 | 20,000 | #54 |
| 12" Griddle, | 20,000 | #45 | 20,000 | #54 |
| Broiler/Griddle | 14,000 | #52 | 13,500 | #57 |
| 26" Oven Burner Standard or RC | 30,000 | #36 | 30,000 | #51 |
| 20" Oven Burner | 25,000 | #40 | 25,000 | #54 |

Models Designations

| MODEL NO. | DESCRIPTION |
|----------------|---|
| SX-4 | (4) Open Burners, Storage Base |
| SX-4-20 | (4) Open Burners, (1) 20" Oven |
| SX-6 | (6) Open Burners, Storage Base |
| SX-6-26 | (6) Open Burners, (1) 26" Oven |
| SX-6-24BG-2626 | (6) Open Burners, (1) 24" Raised Broiler/Griddle, (2) 26" Ovens |
| SX-6-24BG-26 | (6) Open Burners, (1) 24" Raised Broiler/Griddle, (1) 26" Oven (1) Storage Base |
| SX-10-2626 | (10) Open Burners, (2) 26" Ovens |
| SX-10-26 | (10) Open Burners, (1) 26" Oven (1) Storage Base |
| SX-1HT-4 | (4) Open Burners, (1) 12" Hot Top, (1) Storage Base |
| SX-1HT-4-26 | (4) Open Burners, (1) 12" Hot Top, (1) 26" Oven |
| SX-24G-2 | (2) Open Burners, (1) 24" Griddle, (1) Storage Base |
| SX-24G-2-26 | (2) Open Burners, (1) 24" Griddle, (1) 26" Oven |
| SX-24G-6-26 | (6) Open Burners (1) 24" Griddle, (1) 26" Oven, (1) Storage Base |
| SX-24G-6-2626 | (6) Open Burners (1) 24" Griddle, (2) 26" Ovens |

DIMENSIONS AND SPECIFICATIONS Continued

Dimensions

| MODEL NO. | WIDTH | DEPTH | HEIGHT | | WEIGHT LBS/KG |
|----------------|--------------|-----------------|-----------------|-----------------|------------------|
| | | | W/ LEGS | W/O LEGS | |
| SX-4 | 24" (610mm) | 33-1/8" (841mm) | 38-1/2" (978mm) | 32-1/2" (343mm) | 275/125 |
| SX-4-20 | 24" (610mm) | 33-1/8" (841mm) | 38-1/2" (978mm) | 32-1/2" (343mm) | 350/159 |
| SX-6 | 36" (914mm) | 33-1/8" (841mm) | 38-1/2" (978mm) | 32-1/2" (343mm) | 346/157 |
| SX-6-26 | 36" (914mm) | 33-1/8" (841mm) | 38-1/2" (978mm) | 32-1/2" (343mm) | 446/202 |
| SX-6-24BG-2626 | 60" (1524mm) | 33-1/8" (841mm) | 38-1/2" (978mm) | 32-1/2" (343mm) | 855/387 |
| SX-6-24BG-26 | 60" (1524mm) | 33-1/8" (841mm) | 38-1/2" (978mm) | 32-1/2" (343mm) | 736/333 |
| SX-10-2626 | 60" (1524mm) | 33-1/8" (841mm) | 38-1/2" (978mm) | 32-1/2" (343mm) | 756/343 |
| SX-10-26 | 60" (1524mm) | 33-1/8" (841mm) | 38-1/2" (978mm) | 32-1/2" (343mm) | 710/322 |
| SX-1HT-4 | 36" (914mm) | 33-1/8" (841mm) | 38-1/2" (978mm) | 32-1/2" (343mm) | 360/163 |
| SX-1HT-4-26 | 36" (914mm) | 33-1/8" (841mm) | 38-1/2" (978mm) | 32-1/2" (343mm) | 460/209 |
| SX-24G-2 | 36" (914mm) | 33-1/8" (841mm) | 38-1/2" (978mm) | 32-1/2" (343mm) | 380/172 |
| SX-24G-2-26 | 36" (914mm) | 33-1/8" (841mm) | 38-1/2" (978mm) | 32-1/2" (343mm) | 480/218 |
| SX-24G-6-26 | 60" (1524mm) | 33-1/8" (841mm) | 38-1/2" (978mm) | 32-1/2" (343mm) | 719/326 |
| SX-24G-6-2626 | 60" (1524mm) | 33-1/8" (841mm) | 38-1/2" (978mm) | 32-1/2" (343mm) | 793/326 |

INTRODUCTION

1. Check crate for possible damage sustained during transit. Carefully remove unit from crate and again check for damage. Any damage to the appliance must be reported to the carrier immediately.
2. The wires for retaining the burners and other packing material must be removed from units. Any protective material covering stainless steel parts must also be removed.
3. All equipment is shipped from the factory with legs fitted, unless otherwise specified. Where the range is to be mounted on a dais or cove base, it is shipped without legs. Legs must be fitted to the oven when it is installed on a combustible floor.
4. The type of gas and supply pressure that the equipment was set-up for at the factory is noted on the data plate and on the packaging. This type of gas supply must be used.
5. Do not remove permanently affixed labels, warnings or data plates from the appliance, for this may invalidate the manufacturer's warranty.

INSTALLATION

This product has been certified as commercial cooking equipment and must be installed by professional personnel as specified. THIS APPLIANCE IS NOT RECOMMENDED FOR RESIDENTIAL INSTALLATION.

We suggest installation, maintenance and repairs should be preformed by your local Garland authorized service agency.

Siting

The floor on which the appliance is to be sited must be capable of adequately supporting the weight of the appliance and any ancillary equipment.

Units with ovens must be fitted with legs if installed on a combustible floor.

Adequate clearance must be provided for servicing and proper operation.

Appliances Equipped with Casters

1. The installation shall be made with a connector that complies with the Standard for Connectors for Moveable Gas Appliances, ANSI Z21.69/CSA 6.16, Addenda Z21.69B-2006/CSA 6.16B-2006 (or latest edition), and a quick-disconnect device that complies with the Standard for Quick Disconnects for Use with Gas Fuel, ANSI Z21.41/CSA 6.9, Addenda Z21.41A-2005/CSA 6.16A-2005 (or latest edition).
2. The front casters on the appliance are equipped with brakes to limit the movement of the appliance without placing any strain on the connector or quick disconnect device or its associated piping.
3. Please be aware; required restraint is attached to a bracket, (which is located on the rear of the caster closest to the gas connection), and if disconnection of the restraint is necessary, be sure to reconnect the device after the appliance has been returned to its original position.

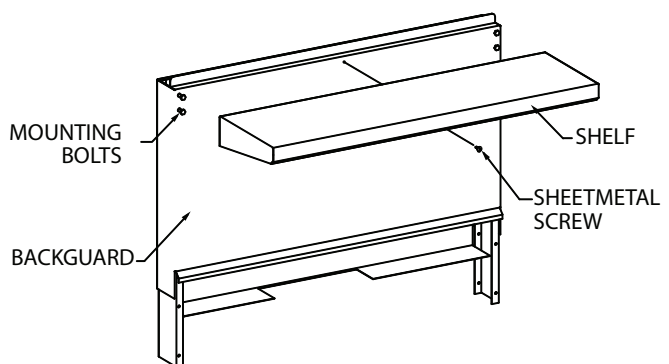
Appliances Equipped with legs

1. Raise the front of the appliance and block. Do not lay the appliance on its back.
2. Position a leg insert in leg retainer opening and tap upward until the insert seats at the collar flange.
3. Repeat leg insert installation for the other three legs and adjust all four legs to the same height.
4. Legs can be further adjusted to level the appliance and to compensate for uneven flooring.

Installing Shelf to Backguard

Note: Shelf may be installed before or after installing the backguard to the range.

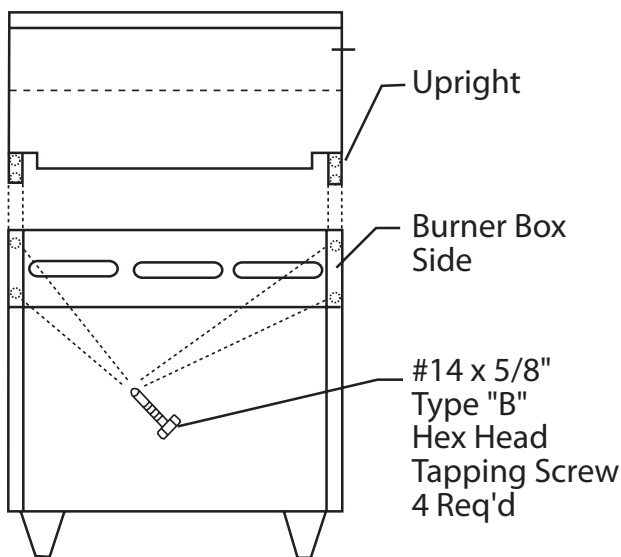
1. Loosen 4 bolts on the front of the backguard approximately 1/4" (6mm).
2. Align the 4 holes on the back of the shelf with the 4 bolts on the backguard.
3. Slide the shelf downward until the 4 bolts are engaged in the slotted portion of the keyhole.
4. Tighten the 4 bolts to secure shelf.
5. On 60" units only, install a sheet metal screw through the hole in the underside of the shelf into the backguard and tighten.



INSTALLATION Continued

Installing a Backguard or Shelf

1. Rear of range must be easily accessible.
2. Place the backguard, high shelf, salamander, or cheesmelter on the rear of the range, slipping the support brackets into the openings in the burner box sides.
3. Securely fasten the support brackets to the burner box sides with (4) #14 x 5/8" Hex washer head, type B tapping screws. (Hardware package is supplied)



Ventilation Air

The following notes are intended to give general guidance. For detailed recommendations, refer to the applicable code(s) in the country of destination.

Proper ventilation is highly essential for optimum performance. The ideal method of ventilating open-top equipment is the use of a properly designed canopy that should extend six inches (152mm), beyond all sides of the appliance(s) and six feet, six inches (1981mm) above the floor.

A strong exhaust will create a vacuum in the room. For an exhaust vent to work properly, replacement air must enter the room. The amount of air that enters must be equal to the amount exhausted.

All gas burners and pilots need sufficient air to operate. Large objects should not be placed in front of the appliance(s) that would obstruct the flow of air into the front.

Statutory Regulations

The installation of this appliance must be carried out by a competent person and in accordance with the relevant regulations, codes of practice and the related publications of the country and destination.

The installation must conform to the National Fuel Gas Code ANSI Z223.1-1998 or latest edition, NPFA No.54 - latest edition/or local code to assure safe and efficient operation. In Canada, the installation must comply with CSA B149.1 and local codes.

Gas Connection

The local gas authority should be consulted at the installation planning stage in order to establish the availability of an adequate supply of gas and to ensure that the meter is adequate for the required flow rate. The pipe work from the meter to the appliances must be of an appropriate size.

All fixed (non-mobile) appliances MUST be fitted with a manual gas-cock upstream of the appliance to provide a means of isolation for servicing or cleaning purposes. A union or similar means of disconnection must be provided between the gas-cock and the appliance.

A manually operable valve must be fitted to the gas supply to the kitchen to enable it to be isolated in an emergency. Wherever practical, this shall be located either outside the kitchen or near to an exit in a readily accessible position.

Where it is not practical to do this, an automatic isolation valve system shall be fitted which can be operated from a readily accessible position near to the exit.

At locations where the manual isolation valve is fitted or the automatic system can be reset a notice MUST be fitted stating:

"ALL DOWNSTREAM BURNER AND PILOT VALVES MUST BE TURNED OFF PRIOR TO ATTEMPTING TO RESTORE THE SUPPLY. AFTER EXTENDED SHUT OFF, PURGE BEFORE RESTORING GAS."

INSTALLATION Continued

Installation Notes:

Before assembly and connection check gas supply.

- A. The type of gas for which the unit is equipped is stamped on the data plate located behind the lower front panel. Connect a unit stamped "NAT" only to natural gas; connect one stamped "PRO" only to propane gas.
- B. If it is a new installation have the gas authorities check meter size and piping to assure that the unit is supplied with necessary amount of gas pressure required to operate the unit.
- C. If it is additional or replacement equipment have the gas authorities check pressure to make certain that existing meter and piping will supply fuel to the unit with no more than 0.15 Kpa pressure drop.

- D. Make certain new piping and connections have been made in a clean manner and have been purged so that piping compound, chips, etc. will not clog pilots, valves or burners. Use pipe joint compound approved for natural and liquefied petroleum gases.

NOTE: Gas pressure should be checked when the unit is installed and all other equipment on the same line is on. The operating gas pressure must be the same as that specified on the rating plate. If necessary, pressure adjustment may be made at the pressure regulator supplied with the appliance.

The appliance and its individual shut-off valve must be disconnected from the gas supply piping system during any pressure testing of that system pressures in excess of 1/2 PSIG (3.45kPa.).

TESTING & ADJUSTMENT

Testing

All fittings and pipe connections must be tested for leaks. Use approved gas leak detectors, soap solution or equivalent, checking over and around all the fittings and pipe connections. **DO NOT USE A FLAME!** Accessibility to all gas lines and fittings require that valve panel(s) lower front panel(s), and/or oven rack(s) be removed. It may be necessary to remove, or at least raise and securely prop griddle(s), hot top(s), and/or top grate(s). All parts removed, (including fasteners), should be stored safely for re-installation.

1. Be sure that all valves and thermostats are in the "OFF" position.
2. Turn on the main gas supply valve. Light all top section pilots.
3. Leak test all valves and fittings as described at the beginning of this section. Correct any leaks as required and recheck.
4. Light the oven pilot.

5. If the range is equipped with an oven on/off valve separate from the thermostat, turn this valve on. If the oven thermostat dial has an "OFF" position, the thermostat is its own on/off valve.
6. In either case, now set the thermostat to 500°F, (260°C). Leak test all valves and fittings as described at the beginning of this section. Correct any leaks as required and recheck.
7. Shut off all valves and set thermostat dials to "OFF" or lowest position.

All units are tested and adjusted at the factory, however, burners and pilots should be checked upon installation and adjusted if necessary.

CAUTION: Gas will flow to the top section burners even if top section pilots are not lit. Gas will not be interrupted. It is the responsibility of the operator to confirm the proper ignition of each burner as it is turned on. Should ignition fail to occur 5 seconds after turning a burner on, turn the burner off, wait 5 minutes, and try again.

TESTING & ADJUSTMENT Continued

Griddle Seasoning

1. Remove all factory applied protective material by washing with hot water, mild detergent or soap solution.
2. Apply a thin coat of cooking oil to the griddle surface, about one ounce per square foot of griddle surface. Spread over the entire griddle surface with a cloth to create a thin film. Wipe off any excess oil with a cloth.
3. Light all burners, set a lowest possible setting. Some discoloration will occur when heat is applied to steel.
4. Heat the griddle slowly for 15 to 20 minutes. Then wipe away oil. Repeat the procedure 2 to 3 times until the griddle has a slick, mirror like finish. Do this until you have reached the desired cooking temperature.

Important: Do not attain high (on valve control) or 450° (on thermostat control) during “break-in” period.

NOTE: Steel griddle surface will tone (blue discoloration) from heat. This toning will not diminish function or operation and is not a defect.

The griddle will not require reseasoning if it is used properly. If the griddle is over heated and product begins to stick to the surface it may be necessary to repeat the seasoning process again. If the griddle is cleaned with soap and water it will be necessary to reseason the griddle surface.

OPERATION

Open Top burners

Lighting:

1. Light pilots located in the center of each burner.
2. Turn valve completely on. Burner flame should be 1/2-inch, (13mm), stable blue flame, and should impinge on the bottom of a pot placed on the ring great.

Shut Down:

1. Turn all valves to the “OFF” position.
2. If the unit is to be shut down for an extended period of time, close the in-line gas valve.

CAUTION: Should burner ignition fail within 5 seconds, turn the burner valve off and repeat steps 1 through 5. If ignition continues to fail, consult your factory authorized service agency.

Hot top Sections

1. Raise or remove hot top sections. Each burner has one pilot located at the front right side of the burner.

2. Light pilots. The pilot burner should be adjusted to provide for rapid ignition of the burner.
3. Turn the burner valve on. A sharp blue flame should be approximately 1/4-inch, (6mm) high.
4. Replace Hot top Sections.

Valve Controlled Griddles

See the section on griddle seasoning before initial use.

1. Raise griddle at front and securely block.
2. Light pilots located at the front right side of each burner.
3. Turn burner valves completely on. Burners should have 1/2-inch to 5/8-inch (13mm to 16mm), stable blue flame.
4. Lower griddle carefully into position.

Raised Broiler/Griddles

See the section on griddle seasoning before initial use.

1. Light the pilots located in the broiler section.

OPERATION Continued

2. Turn the burner valves completely on. Burners should exhibit a 5/16-inch stable blue flame.

CAUTION: Gas will flow to the top section burners even if top section pilots are not lit. Gas will not be interrupted. It is the responsibility of the operator to confirm the proper ignition of each burner as it is turned on. Should ignition fail to occur 5 seconds after turning a burner on, turn the burner off, wait 5 minutes, and try again.

Standard Ovens

Lighting

1. Remove oven bottom(s).
2. Depress and hold the red reset button, located on the safety valve behind the kick panel below the oven door, while lighting the oven pilot. Continue to hold the reset button for at least 60 seconds after the pilot is lit. Release the button. If the pilot does not stay lit, wait five minutes, then repeat the procedure.

Shut Down:

1. Turn all valves and thermostats to the "OFF" position, or lowest setting.
2. If the range is to be shut down for an extended period of time, close the in-line gas valve.

Relighting:

1. Turn all gas valves off.
2. Wait five, (5) minutes.
3. Following procedure under "Lighting".

PRODUCT APPLICATION INFORMATION

General

The range is the workhorse of the kitchen because of its versatility. Most frequently used in small applications, such as cafes, schools, church kitchens, firehouses, and small nursing homes where demands are less taxing. As a general rule of thumb, one four to six burner range with a hot top will be adequate for a restaurant seating 30 to 35.

The top of the range is designed for flexibility and the preparation of numerous different types of products. It may be equipped with two, or even three different types of tops and burners, depending on the menu needs. An operation that cooks to order, or uses the range primarily as back-up will find that open burners will suit most of their needs.

Preparation of soups, stocks, or sauces is done on a hot top where slow, even cooking is desirable.

Heating larger quantities of food can be done more efficiently than heating small quantities. Pots and pans should be covered whenever possible to reduce energy consumption.

High acid sauces, such as tomato should be cooked in stainless steel rather than aluminum to avoid chemical reaction. Light colored sauces such as Alfredo may be discolored by the use of aluminum, especially if stirred with a metal spoon or whip. Saltwater shellfish may pit aluminum pots if they are frequently used for this purpose.

NOTE: Many parts of the commercial range are raw steel. Hot tops, griddles, springs, door hooks etc., can react with moisture, forming rust. This occurrence is normal and not considered a defect. Clean with a stainless steel or fiber pad. A light coating of cooking oil may be applied.

PRODUCT APPLICATION INFORMATION Continued

Open Burners

The most traditional uses of open burners are sautéing, pan frying, and small stock pot work. Short-term cooking is the most efficient use for the open burner. Pans should cover as much of the grate as possible to minimize heat loss. The maximum stock pot size to be used on an open burner is 11 inches, (279mm), diameter. Open burners should be turned off when not in use to conserve energy. Leaving a flame burning is of no advantage since the heat is instantaneous.

Hot tops

Hot tops are recommended where long-term stock pot cooking is required for soups, sauces or stocks. Pots can be placed anywhere on the hot top, rather than one specific position, as on an open burner. The maximum stock pot size to be used on the hot top is 12 inches, (305mm), in diameter.

Recommended preheat time for a 12-inch, (305mm), hot top section is 30 minutes. This will thoroughly saturate the metal with heat. Hot tops are evenly heated, and have a smooth surface so that pots may be moved easily to any position.

Pots must have a flat bottom for maximum contact with the hot top surface. Warped or dented pots will not transfer heat evenly or efficiently, wasting energy and resulting in uneven cooking patterns. Roasting pans with straps should not be used on a hot top because only the straps will touch the heated surface and transfer will be minimal. During slow times, group pots on one hot top section and turn off the other section(s). This will conserve energy. If needed the other section(s) will preheat in 10 to 15 minutes due to the retained heat in the metal.

Griddles

Griddle tops are designed to have food cooked directly on the surface, for example hamburgers, eggs, pancakes, hash browns, etc. do not put pots or pans on the griddle surface. This will scratch or nick the surface, resulting in sticking and scorching of product. Never salt food on a griddle because this will cause a gummy residue to build up, making the griddle more difficult to clean. Avoid hitting the griddle plate with a spatula, as this will also nick the surface. The most frequently used temperature range for griddles is 325° to 350°F, (163° to 177°C). Check and drain the grease drawer frequently during heavy use to prevent overflowing. Over a period of time, some discoloration of the steel griddle plate will occur. This will not affect performance. For best cooking results, keep the griddle surface as clean and shiny as possible.

MAINTENANCE AND CLEANING

Stainless Steel

For routine cleaning just wash with a hot water and detergent solution. Wash just a small area at a time or the water will evaporate leaving the chemicals behind causing streaking.

Rinse the washed area with a clean sponge dipped in a sanitizing solution and wipe dry with a soft clean cloth before it can dry.

Use a paste (of water and a mild scouring powder) if you have to, but never rub against the grain. All stainless steel has been polished in one direction. Rub with the polish lines to preserve the original finish. Then thoroughly rinse as before.

To prevent fingerprints there are several stainless steel polishes on the market that leave an oily or waxy film. Do not use on surfaces that will be in contact with food.

Stainless steel may discolor if overheated. These stains can usually be removed by vigorous rubbing with a scouring powder paste.

Use only stainless steel, wood or plastic tools if necessary to scrape off heavy deposits of grease and oil. Do not use ordinary steel scrapers or knives as particles of the iron may become imbedded and rust. STEEL WOOL SHOULD NEVER BE USED.

Interior Cleaning of Standard Aluminized Steel Interior Surfaces

The oven sides and top linings are formed of heavy gauge steel with an aluminum fused into its surface to provide for the reflectance of heat back to the food being prepared and to virtually eliminate the possibility of rust formation. Establish a regular cleaning schedule or wipe off on the same day when spillovers occur.

1. Cool down oven.
2. Remove oven racks.
3. Lift rack guides on either side of oven off of holders, pull the top away from the cavity wall, when it's cleared the clips push down and remove. Racks and guides may be run through dishwasher while oven cavity is being cleaned.

4. Use a concentrated detergent on a plastic pad to remove burned on soil. Do Not Use Steel Wool, Oven Cleaner Or Abrasive Powders. These will remove the aluminum. Rinse with warm water on a soft cloth. Be sure to remove all traces of detergent. Any discoloration, which may remain after the soil build-up has been removed, will not affect the performance of the oven.
5. To reinstall reverse procedure. Place the bottom of the rack guide against the cavity wall. Keeping the top pulled away from the wall lift up. Push the top of the rack guide against the wall and push down locking it into place.

Open Top Burners

Cleaning of the range top burner is a simple procedure, and, if done at regular intervals will prolong the life of the range and ensure good flame characteristics.

1. The most common problem with open burner ranges is spillage. Once the burner ports are partially plugged with food, the air-to-gas mixture is disturbed and results in an inefficient burner.
2. Wipe any spills as they occur.
3. Grids and trays should be removed daily, washed, rinsed and dried thoroughly.
4. Use a wire brush to clean the ports of the burners. Ignite and check for clogged holes.
5. If any clogged holes are apparent, the burner should be lifted out and brushed inside and out with a small venture brush. Each port on the burner itself should be cleaned with a properly sized wire or thumb drill. Wash with soap and hot water if grease is observed on the burners. Dry thoroughly.
6. Reinstall and check the flame pattern. Readjust the air shutter if necessary.
7. If a yellow flame appears around the edges instead of being uniformly blue, it is usually a sign of grease and dirt in the throat of the burner. Remove and clean the burner and readjust the air shutter.

MAINTENANCE AND CLEANING Continued

Cast Iron Top & Ring Grates

Cast iron top and ring grate(s) can be cleaned with mild soap and warm water. For baked on material, a wire brush can be used. Dry thoroughly. Lightly coat with vegetable oil to help prevent rust from forming.

Griddle

To produce evenly cooked, browned griddle products, keep griddle free from carbonized grease. Carbonized grease on the surface hinders the transfer of heat from the griddle surface to food product. This results in uneven browning and loss of cooking efficiency, and worst of all, carbonized grease tends to cling to grilled foods, giving them a highly unsatisfactory and unappetizing appearance. To keep the griddle clean and operating at peak performance, follow these simple instructions:

- A. **After Each Use:** Clean griddle thoroughly with a grill scraper or spatula. Wipe off any excess debris left from cooking process.
- B. **Once A Day:** Clean griddle surface with a grill brick and grill pad. Remove grease container and clean thoroughly, in same manner as any ordinary cooking utensil.

- C. **Once A Week:** Clean griddle surface thoroughly. If necessary, use a grill stone or grill pad over the griddle surface. Rub with grain of the metal while still warm. A detergent may be used on the plate surface to help clean it, but care must be taken to be sure it is thoroughly removed. After removal of detergent, the surface of the plate should be covered with a thin film of oil to prevent rusting. To remove discolorations, use a non-abrasive cleaner. Before re-using the griddle must be reseasoned. Keep griddle drain tube to grease container clear at all times on those models without side grease container.

CAUTION: This griddle plate is steel, but the surface is relatively soft and can be scored or dented by careless use of spatula. Be careful not to dent, scratch, or gouge the plate surface. This will cause food to stick in those areas. Also, note, since this is a steel griddle if a light coating of oil is not always present rust will develop on exposed & uncoated areas.

Hot Tops

While the surface is still slightly warm, wipe down with a clean burlap cloth. Burnt on spillage should be scraped off. If necessary, remove the plate and wash in a sink with soap and hot water. Dry thoroughly. In damp climates, wipe down with a light coating of oil to prevent rusting. Avoid excessive use of water as this could damage the surface and the controls below.

NOTE: Steel griddle and hot top surface will "tone" (blue/brown discoloration) from heat. This toning will not diminish function or operation and is not a defect.

SunFire[®]

SunFire®

Les Grilles Supérieures En Fonte

Les grilles supérieures en fonte peuvent être nettoyées avec de l'eau tiède et du savon doux. Pour déloger les aliments recuits dessus, on peut utiliser une brosse métallique. Bien sécher et appliquer une légère couche d'huile végétale pour empêcher les grilles de rouiller.

Gril

Pour obtenir des aliments uniformément cuits et dorés, éliminer toute trace de graisses carbonisées. Les graisses carbonisées sur la surface de cuisson empêchent le transfert de la chaleur du gril vers les aliments, ce qui provoque une coloration inégale et une perte d'efficacité de la cuisson et surtout ces graisses carbonisées ont tendance à coller aux aliments et leur donnent un aspect insatisfaisant et inappétant. Pour maintenir le gril propre et en bon état de fonctionnement, suivre ces instructions simples.

- A. **Après chaque** : utilisation, nettoyer soigneusement la surface du gril avec un raclette à gril ou une spatula. Essuyer tout débris laissé après le processus de cuisson.
- B. **Une fois par jour** : nettoyer la surface du gril avec une brique à gril et un tampon à gril. Retirer le contenant à grilisse et bien le nettoyer comme tout autre outil de cuisson.

- C. **Une fois par semaine** : nettoyer soigneusement la surface du gril. Si nécessaire, utiliser une pierre à gril ou un tampon à gril pour nettoyer la surface. Frotter dans le sens du grain du métal encore tiède. Il est possible d'utiliser un détergent pour nettoyer la surface du gril. Cependant il faut veiller à bien éliminer les résidus. Après élimination du détergent, la surface du gril doit être couverte d'un mince film d'huile pour l'empêcher de rouiller. Pour éliminer la décoloration, utiliser un produit de nettoyage non-abrasif. Avant de réutiliser le gril, celui-ci doit êtreapprêté à nouveau. Maintenir le tube de vidange de graisse propre surtout sur les modèles sans contenant à graisse latéral.

ATTENTION : Cette plaque de gril est en acier, mais la surface est relativement tendre et peut être rayée ou entaillée par suite d'une mauvaise utilisation d'une spatule. Prendre soin de ne pas entailler, rayer ou creuser la surface de la plaque, sous peine de provoquer l'adhérence des aliments dans les parties correspondantes. Noter également qu'étant donné qu'il s'agit d'un gril en acier, celui-ci doit être recouvert d'une mince couche d'huile pour éviter la formation de rouille.

Plaques De Cuisson

Pendant que la surface est encore légèrement tiède, essuyer avec un chiffon en toile propre. Les déversements brûlés devront être grattés. Si nécessaire, retirer la plaque et la laver dans un évier avec du savon et de l'eau chaude. Bien sécher. Dans les climats humides, appliquer une légère couche d'huile pour empêcher la formation de rouille. Éviter d'utiliser trop d'eau car cela pourrait endommager la surface et les commandes en dessous.

NOTA : La surface en acier des grils et des plaques de cuisson prendra une teinte bleue/brune à cause de la chaleur. Cette décoloration ne réduira pas les qualités ni le fonctionnement et ne constitue pas un défaut.

Acier Inoxydable

Pour le nettoyage de routine, laver simplement avec une solution d'eau et de détergent. Laver une petite surface à la fois, sinon l'eau s'évaporerait et laissera sur la surface des traces de détergent.

Rincer la surface lavée avec une éponge trempée dans une solution désinfectante et sécher avec un torchon doux avant que la zone nettoyée ne sèche.

Utiliser une pâte (mélange d'eau et de poudre à récurer douce) si nécessaire, mais en prenant soin de ne jamais travailler à contre sens. Toutes les surfaces en acier inoxydable sont polies dans un sens. Frotter en respectant ce sens pour préserver l'apparence d'origine. Rincer ensuite comme indiqué précédemment.

Pour supprimer les empreintes digitales sur les surfaces extérieures, il existe de nombreux produits disponibles dans le commerce qui laissent un film huileux ou ciré sur la surface. Ne pas utiliser de tels produits sur les surfaces pouvant être en contact avec les aliments.

Utiliser uniquement des outils en acier inoxydable, en bois ou en plastique pour gratter si nécessaire les résidus tenaces de graisses ou d'huiles. Ne pas utiliser de grattoirs ni de couteaux en acier ordinaire, car des particules de fer risquent de s'incruster dans les surfaces et rouiller. NE JAMAIS UTILISER DE LAINE D'ACIER.

Nettoyage Intérieur Des Surfaces En Acier Aluminé

Les côtés du four et le revêtement du dessus sont en acier épais avec un revêtement de surface d'aluminium projeté et fondu afin de refléter la chaleur sur les aliments et d'éliminer pratiquement toute formation de rouille. Établir un calendrier régulier de nettoyage ou nettoyer tout déversement se produisant dans la journée.

1. Laisser refroidir le four.
2. Enlever les crémallières du four.

3. Soulever les guides des crémallières des deux côtés de leurs supports, éloigner le haut de la paroi du four. Une fois qu'elles sont dégagées des clips, pousser vers le bas et les retirer. Les crémallières et les guides peuvent être lavés dans le lave-vaisselle pendant le nettoyage de l'intérieur du four.

Brûleurs Supérieurs Ouverts

4. Utiliser un produit détergent concentré sur un tampon en plastique pour retirer les résidus brûlés. Ne pas utiliser de laine d'acier, de nettoyeurs pour fours ni de poudres abrasives. Ces produits risquent d'enlever l'aluminium. Rincer à l'eau tiède à l'aide d'un chiffon doux. Veiller à bien enlever tout résidu de détergent. Toute décoloration persistante après le nettoyage n'affecte en rien le fonctionnement du four.
5. Pour le remontage, inverser la procédure. Placer le bas du guide de crémallière contre la paroi intérieure du four. En maintenant le haut écarté de la paroi, soulever. Pousser le haut du guide de crémallière contre la paroi et pousser vers le bas pour le verrouiller en place.

1. Le problème le plus commun avec les cuisinières à brûleur ouvert est constitué par les déversements. Une fois que les orifices des brûleurs sont partiellement bouchés par de la nourriture, le mélange d'air et de gaz est modifié et le brûleur n'assure pas un bon rendement.
2. Essuyer tout déversement dès qu'il se produit.
3. Les grilles et les plateaux devront être retirés chaque jour, lavés, rincés et séchés soigneusement.

4. Utiliser une brosse métallique pour nettoyer les orifices des brûleurs. Allumer et vérifier si les trous sont bouchés.
5. S'il semble que des trous sont bouchés, le brûleur devra être sorti et brossé à l'intérieur et à l'extérieur avec une petite brosse à venturi. Chaque orifice du brûleur devra être nettoyé avec un fil métallique ou un foret de taille appropriée. Laver avec du savon et de l'eau chaude s'il y a de la graisse sur les brûleurs. Sécher soigneusement.
6. Remonter et vérifier la flamme. Régler à nouveau les obturateurs d'air si nécessaire.

7. Si une flamme jaune apparaît autour des bords au lieu d'être uniformément bleue, c'est habituellement un signe qu'il y a de la graisse ou des saletés dans la gorge du brûleur. Retirer le brûleur et le nettoyer et régler à nouveau l'obturateur d'air.

Généralités

La cuisinière est l'appareil le plus utilisé de la cuisine à cause de sa polyvalence. Elle est plus fréquemment utilisée dans les applications moins exigeantes telles que les cafés, les écoles, les cuisines d'église, les casernes de pompier et les petites maisons de repos où les exigences sont plus faciles.

Le dessus de cuisinière est conçu pour donner plus de souplesse et préparer de nombreux types d'aliments

différents. Il peut être équipé de deux ou même trois types

différents de brûleurs, en fonction du menu. Un restaurant faisant la cuisine sur commande, ou utilisant la cuisinière

principalement comme solution de rechange, utilisera plutôt des brûleurs ouverts convenant mieux à ses besoins.

La préparation de soupes, bouillons ou sauces se fait sur

une plaque de cuisson dans le cas où une cuisson lente et régulière est souhaitable.

Le plus efficace est de chauffer de grandes quantités de

nourriture plutôt que de petites quantités. Les pots et plats

devront être couverts dans la mesure du possible pour réduire la consommation d'énergie.

Les sauces très acides, telles que la sauce tomate, devront être cuites dans de l'acier inoxydable plutôt que dans de

l'aluminium pour éviter toute réaction chimique. Les sauces peu colorées, telles que la sauce Alfredo, risquent d'être

décolorées si l'on utilise de l'aluminium, en particulier si l'on

remue avec une cuillère ou un fouet métallique. Les poisons

d'eau salée risquent de piquer les pots en aluminium s'ils

sont fréquemment utilisés dans ce but.

NOTA : Beaucoup de pièces de la cuisinière commerciale sont en acier brut. Les plaques de cuisson, grils, ressorts, crochets de porte, etc. peuvent réagir au contact de l'humidité en formant de la rouille. Cela est normal et n'est pas considéré comme un défaut. Nettoyer avec un tampon en acier inoxydable ou en fibre. Une légère couche d'huile de cuisson peut être appliquée.

Brûleurs Ouverts

Les brûleurs ouverts sont surtout utilisés pour sauter les aliments, la friture dans une poêle et les petites marmites. Les cuissons courtes sont les plus efficaces sur un brûleur ouvert. Le plat devra couvrir une surface de grille aussi grande que possible pour réduire les pertes de chaleur. Le diamètre maximal d'une marmite à utiliser sur un brûleur ouvert est de 11 po (279 mm). Les brûleurs ouverts devront être fermés lorsqu'ils ne sont pas utilisés pour économiser l'énergie. Il n'est pas avantageux de laisser brûler une flamme étant

donné que la chaleur est instantanée.

Plaques De Cuisson

Les plaques de cuisson sont recommandées lorsque l'on a besoin de faire des cuissons longues en marmite pour les soupes, les sauces ou les bouillons. Les marmites peuvent être placées n'importe où sur la plaque plutôt qu'à une position particulière comme c'est le cas sur un brûleur ouvert. Le diamètre maximal de la marmite à utiliser sur la plaque de cuisson est de 12 po (305 mm).

Le temps de préchauffage recommandé pour une plaque de cuisson de 12 po (305 mm) est de 30 minutes. Cela saturera parfaitement le métal de chaleur. Les plaques de cuisson sont chauffées de façon régulière et offrent une surface lisse de façon à pouvoir déplacer les marmites facilement à n'importe quelle position.

Les marmites doivent avoir un fond plat pour obtenir un contact maximal avec la surface de la plaque. Les marmites déformées ou entaillées ne transféreront pas la chaleur de façon régulière ni efficacement, ce qui gaspillera l'énergie et donnera des cycles de cuisson irréguliers. On ne devra pas utiliser de plats à rôtir avec des pieds sur une plaque de cuisson parce que seuls les pieds toucheront à la surface chauffée et le transfert de chaleur sera minimal. Pendant les périodes d'inactivité, grouper les marmites sur une section de plaque de cuisson et arrêter les autres sections afin de conserver l'énergie. Si nécessaire, les autres sections préchaufferont en 10 à 15 minutes grâce à la chaleur retenue par le métal.

Grils

Les grils sont conçus pour cuire directement les aliments sur la surface, par exemple les hamburgers, les œufs, les crêpes, les pommes de terre rissolées, etc. Ne pas placer de marmite ou de plat sur la surface d'un gril car cela rayera ou entaillera la surface, faisant coller les aliments ensuite. Ne jamais saler les aliments sur un gril car cela produira l'accumulation d'un résidu collant, rendant le gril plus difficile à nettoyer. Éviter de heurter la plaque du gril avec une spatule car cela entaillera également la surface. La gamme de températures utilisera fréquemment utilisée pour les grils est de 325 à 350 °F (163 à 177 °C). Vérifier et vidanger fréquemment le tiroir à graisse pendant les heures d'utilisation intensive pour empêcher tout débordement. Au bout d'un certain temps, une certaine décoration de la plaque en acier du gril se produira. Cela n'affectera pas les performances. Pour obtenir la meilleure cuisson possible, maintenir la surface du gril aussi propre et aussi brillante que possible.

Brûleurs Supérieurs Ouverts

Allumage:

1. Allumer les veilleuses.

2. Tourner complètement le robinet. La flamme du brûleur devrait être stable, d'une hauteur de 1/2 po et bleue et devrait toucher la partie inférieure d'un placé sur la grille annulaire.

Arrêt:

1. Placer tous les robinets en position « OFF ».

2. Si l'appareil doit être arrêté pour une période de temps prolongée, fermer le robinet de gaz en ligne.

ATTENTION : Si le brûleur ne s'allume pas dans un délai de 5 secondes, fermer son robinet et recommencer à l'étape 1. S'il continue de ne pas s'allumer, consulter une agence de service d'usine autorisée.

Sections À Plaque De Cuisson

1. Soulever ou retirer les sections à plaque de cuisson. Chaque brûleur est doté d'une veilleuse situé sur le côté avant gauche du brûleur.
2. Allumer les veilleuses. La veilleuse doit être réglée pour assurer un allumage rapide du brûleur.
3. Ouvrir le robinet du brûleur. La flamme doit être nette et bleue et avoir une hauteur d'environ 1/4 de pouce (6 mm).
4. Remettre en place les sections à plaque de cuisson.

Gris Commandées Par Robinet

Voir le paragraphe Apprêtage des grils avant toute utilisation.

1. Soulever la plaque à l'avant et la bloquer.
2. Allumer les veilleuses situées sur le côté avant droit de chaque brûleur.
3. Ouvrir complètement les robinets des brûleurs. Les brûleurs devraient avoir une flamme bleue stable de 1/2 à 5/8 po.(13-16 mm)

1. Fermer tous les robinets de gaz.
2. Attendre 5 minutes.
3. Suivre la procédure sous « Allumage ».

Réallumage

1. Tourner tous les robinets et thermostats en position « OFF » ou au réglage le plus bas.
2. Si la cuisinière doit être arrêtée pendant une période de temps prolongée, fermer le robinet d'alimentation en gaz.

Arrêt

1. Retirer les plaques de fond du four.
2. Appuyer et maintenir enfoncé le bouton de réenclenchement (rouge) situé à la partie inférieure à l'avant du four (sous la porte du four) tout en allumant la veilleuse du four. Maintenir enfoncé le bouton de réenclenchement pendant 60 secondes. Relâcher le bouton. Si la veilleuse ne reste pas allumée, recommencer cette procédure au bout de 5 minutes.

Allumage

Four Standard

ATTENTION : Le gaz alimentera les brûleurs de la section supérieure même si les veilleuses de cette section ne sont pas allumées. L'alimentation en gaz ne sera pas coupée. Il est de la responsabilité de l'utilisateur de vérifier l'allumage de tous les brûleurs dont le robinet est ouvert. Dans le cas où l'allumage ne se ferait dans un délai de 5 secondes après l'ouverture du robinet, fermer le robinet du brûleur, attendre 5 minutes et essayer de nouveau.

1. Allumer les veilleuses situées dans la section rôtissoire
2. Ouvrir complètement les robinets. Le brûleur devrait avoir une flamme bleue stable de 5/16 po.

Rôtissoire/Gris Surélevés

4. Abaisser le grill en place.

Voir le paragraphe Apprêtage des grils avant toute utilisation.

7. Fermer tous les robinets et régler les cadrans des thermostats à "OFF" ou à la position la plus basse.

Tous les appareils sont testés et réglés en usine. Cependant, les brûleurs et les veilleuses doivent être vérifiés au moment de l'installation et réglés si nécessaire.

Attention : Le gaz allimentera les brûleurs de la section supérieure même si les veilleuses de cette section ne sont pas allumées. L'alimentation en gaz ne sera pas coupée. Il est de la responsabilité de l'utilisateur de vérifier l'allumage de tous les brûleurs dont le robinet est ouvert.

Dans le cas où l'allumage ne se ferait dans un délai de 5 secondes après l'ouverture du robinet, fermer le robinet du brûleur, attendre 5 minutes et essayer de nouveau.

Apprêtage des grils

1. Retirer le revêtement de protection appliqué en usine en lavant avec de l'eau chaude et un détergent doux ou une solution savonneuse.

2. Appliquer une fine couche d'huile de cuisson sur la surface du gril, environ une once par pied carré de surface. Étaler sur toute la surface avec un chiffon pour créer un film fin. Essuyer tout excès d'huile avec un chiffon.

3. Allumer tous les brûleurs et les régler au plus bas. Une certaine décoloration se produira pendant le chauffage de l'acier.

4. Chauffer la plaque lentement pendant 15 à 20 minutes, puis essuyer l'huile. Recommencer la procédure deux à trois fois, jusqu'à obtention d'un fini luisant comme un miroir. Continuer jusqu'à ce que l'on atteigne la température de cuisson souhaitée.

IMPORANT : Ne pas utiliser le réglage maximal (sur la commande à robinet) ou 450° F (sur la commande à thermostat) pendant le processus d'apprêtage.

NOTA : La surface en acier de la plaque à frire se décolorera (décoloration bleue) à cause de la chaleur. Cette décoloration ne réduira en rien les fonctions ou l'utilisation et ne constitue pas un défaut.

Le gril n'aura pas besoin d'un nouvel apprêtage s'il est utilisé correctement. S'il est surchauffé et que les aliments commencent à coller à la surface, il peut être nécessaire de recommencer le processus d'apprêtage. Si la plaque à frire est nettoyée avec de l'eau et du savon, il sera nécessaire d'effectuer un nouvel apprêtage.

Remarques Sur L'installation

Avant de procéder au montage et à la connexion, vérifier l'alimentation en gaz.

A. Le type de gaz pour lequel l'appareil est équipé est

estampillé sur la plaque signalétique se trouvant derrière le panneau avant inférieure. Les appareils estampillés

"NAT" doit uniquement être connectés au gaz naturel, ceux estampillés "RO" doivent l'être uniquement au

propane.

B. S'il s'agit d'une nouvelle installation, demander à la

compagnie de gaz locale de vérifier la taille du compteur

et de la canalisation pour s'assurer que l'appareil peut être alimenté avec la pression de gaz nécessaire à son

fonctionnement.

C. S'il s'agit d'un équipement de remplacement ou

additionnel, demander à la compagnie locale de gaz de vérifier la pression afin de s'assurer que le compteur et la

canalisation existants alimenteront l'appareil avec une chute éventuelle de pression ne dépassant pas 1/2 po de

colonne d'eau.

D. S'assurer que la canalisation et les connexions on été

installées proprement, et qu'ils ont été purgées de telle sorte que le scellant de conduit ou tout autre débris ne

viennent pas boucher les veilleses, valves ou brûleurs. Utiliser du scellant de conduit certifié pour le gaz naturel

et gaz liquifié.

REMARQUE : La pression du gaz, doit être vérifiée après

l'installation de l'appareil en s'assurant que tous les appareils installés sur la même canalisation sont allumés. La pression

du gaz mesurée doit être La même que la pression spécifiée sur la plaque signalétique. Si nécessaire, un ajustement de la

pression peut être fait au niveau du régulateur expédié avec l'appareil.

L'appareil et son robinet individuel d'arrêt doivent être

déconnectés de la canalisation d'alimentation en gaz pendant toutes les manœuvres d'essai de pression de ce

système si la pression est supérieure à 1/2 PSIG (3,45 kPa).

Essais

Tous les raccords et connexions de tuyaux doivent être

testés pour détecter les fuites éventuelles. Utiliser des détecteurs de fuites approuvés, de l'eau savonneuse ou des

produits équivalents, appliqués sur et autour des raccords et connexions de tuyaux. NE PAS UTILISER DE FLAMME ! Pour

accéder à toutes les canalisations de gaz et aux raccords il est nécessaire de retirer le(s) panneau(x) des robinets, le(s)

panneau(x) inférieure(s) avant et les grilles du four. Il peut être nécessaire de retirer ou au moins de soulever et de supporter

correctement les grils, les plaques de cuisson et grilles supérieures. Toutes les pièces retirées (y compris les moyens

de fixation) doivent être soigneusement rangées pour les réutiliser ensuite.

1. Vérifier que tous les robinets et thermostats sont en

position "OFF";

nouvelle vérification.

robinets et raccord comme décrit au début de la présente section. Corriger les fuites éventuelles et faire une

6. Dans tous les cas, régler maintenant le thermostat à 500oF (260oC). Vérifier la présence de fuites sur tous les

doté de son propre robinet marche/arrêt.

5. Si la cuisinière est équipée d'un robinet d'arrêt du four séparé du thermostat, ouvrir ce robinet Si le cadran du thermostat du four a une position "OFF", le thermostat est

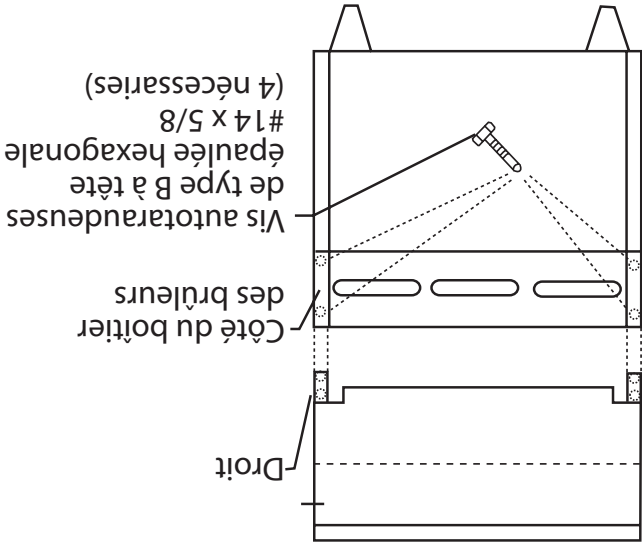
4. Allumer la veilleuse du four.

3. Vérifier la présence de fuites aux robinets et raccords, comme décrit dans la procédure ci-dessus. Réparer les fuites si nécessaire et vérifier de nouveau.

2. Ouvrir le robinet principal d'alimentation en gaz. Allumer toutes les veilleuses de la section haute.

Installation Du Dossieret Ou De L'étagère

1. L'arrière de la cuisinière doit être facilement accessible.
2. Placer le dossieret, l'étagère haute, la salamandre ou la salamandre à fromage à l'arrière de la cuisinière en faisant glisser les supports dans les ouvertures dans les côtés des boîtes des brûleurs.
3. Bien fixer les supports aux côtés du boîtier des brûleurs avec 4 vis autotaraudeuses de type B à tête épaulée hexagonale # 14 x 5/8. (Un ensemble de quincaillerie est fourni).



Air De Ventilation

Les remarques suivantes constituent des indications générales. Pour des recommandations plus détaillées, consulter le(s) code(s) applicable(s) dans le pays de destination.

Une ventilation correcte est essentielle pour un fonctionnement optimal. La méthode idéale pour ventiler un équipement à flammes nues est d'utiliser une hotte correctement conçue qui devra se prolonger de six pouces (152 mm), au-delà des côtés des appareils et se trouver à six pieds six pouces (1981 mm) au-dessus du sol.

Une forte ventilation d'aspiration créera un vide dans la pièce. Pour qu'une ventilation d'aspiration fonctionne correctement, il est nécessaire que de l'air de remplacement pénètre dans la pièce. La quantité d'air entrant dans la pièce doit être égale à la quantité d'air évacuée.

Réglementation Légale

L'installation de cet appareil doit être effectuée par une personne compétente et conformément aux règlements, codes d'usage et publications connexes en vigueur dans le pays de destination.

L'installation doit être conforme au National Fuel Code ANSI Z 223.1-1998 ou à la dernière édition, NFPA No 54 - dernière édition et/ou au code local pour assurer une fonctionnement sécuritaire et efficace. Au Canada, l'installation doit être conforme au CSA-149.1 et aux codes locaux le cas échéant.

Connexion Du Gaz

Consulter la compagnie locale de gaz au moment de la planification de l'installation de façon à établir la disponibilité d'une alimentation en gaz suffisante et de s'assurer que le compteur correspond au débit nécessaire. La canalisation entre le compteur et les appareils doit être de diamètre approprié.

Tous les appareils fixes (non mobiles) DOIVENT être équipés d'un robinet de gaz manuel en amont de l'appareil pour pouvoir isoler l'appareil lors de toute intervention d'entretien ou de nettoyage. Un raccord union ou tout autre moyen de déconnexion doit être installé entre le robinet de gaz et l'appareil.

Un robinet à commande manuelle doit être installé sur l'arrivée de gaz dans la cuisine pour permettre d'isoler la cuisine en cas d'urgence. Chaque fois que cela est possible, ce robinet sera installé soit à l'extérieur de la cuisine ou près d'une sortie dans un endroit facile d'accès. Lorsque cela est impossible, un système automatique de robinet d'isolation doit être installé à un endroit facile d'accès près de la sortie.

L'avis suivant DOIT être affiché à l'endroit d'installation du robinet d'isolation ou du système automatique :

“TOUS LES ROBINETS DE BRÛLEURS ET DE VEILLEUSES EN AMONT DOIVENT ÊTRE MIS EN POSITION D'ARRÊT AVANT D'OUVRIR L'ALIMENTATION. APRÈS UN PÉRIODE D'ARRÊT PROLONGÉE, PURGER AVANT DE REBRANCHER LE GAZ”

Ce produit a été homologué comme équipement de cuisson commercial et doit être installé par du personnel professionnel selon les spécifications. CET APPAREIL N'EST PAS RECOMMANDÉ POUR UNE INSTALLATION RÉSIDENTIELLE.

Nous suggérons de confier l'installation, l'entretien et les réparations à l'agence de services garland locale.

Emplacement

Le plancher d'installation de l'appareil doit pouvoir supporter convenablement le poids de l'appareil et de tout autre équipement auxiliaire.

Les appareils munis d'un four doivent être équipés de pieds s'ils sont installés sur un plancher combustible.

Prévoir un dégagement suffisant pour les réparations et un fonctionnement correct.

Appareils Équipés De Roulette

1. L'installation sera faite avec un raccord conforme à la norme Connectors for Movable Gas Appliances, ANSI Z21.69/CSA 6.16, Addenda Z21.69B-2006/CSA 6.16B-2006 (ou la dernière édition) et un raccord rapide conforme à la norme Standard for Quick-Disconnect Devices for use with gas fuel, ANSI Z21.41/CSA 6.9, Addenda Z21.41A-2005/CSA 6.16A-2005 (ou la dernière édition).
2. Les roulettes avant de l'appareil seront équipées de freins pour limiter le déplacement de l'appareil sans exercer aucun effort sur le connecteur ou le dispositif de débranchement rapide ou les conduits connexes.
3. Attention : Un dispositif de retenue obligatoire est fixé à un support (situé sur la roulette arrière droite, en regardant la cuisinière depuis l'arrière) et si le débranchement de ce dispositif est nécessaire, ne pas oublier de rebrancher l'appareil après que celui-ci ait été remis dans sa position d'origine.

Appareils Équipés De Pieds

1. Soulever l'avant de l'appareil et le bloquer. Ne pas coucher l'appareil sur le dos.
2. Positionner l'insert de pied dans l'ouverture du dispositif de retenue du pied et taper jusqu'à ce qu'il soit en place dans la bride à coller.
3. Répéter l'installation des inserts de pied pour les autres pieds et régler les quatre pieds à la même hauteur.
4. Les pieds peuvent être encore réglés pour mettre l'appareil de niveau et compenser un sol inégal.

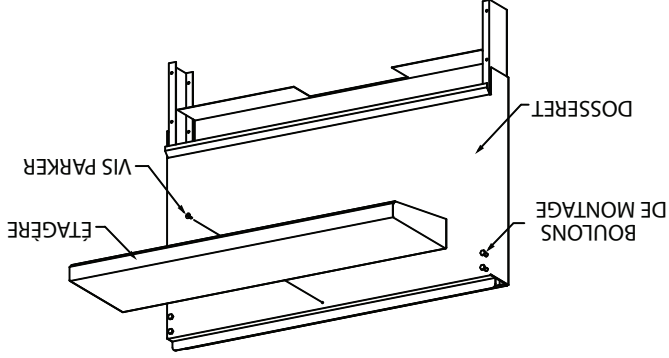
Installation De L'étagère Sur Le Dossieret

Nota : L'étagère peut être installée avant ou après avoir installé le dossieret sur la cuisinière.

1. Desserer les 4 boulons à l'avant du dossieret d'environ ¼ po (6 mm).

2. Aligner les 4 trous à l'arrière de l'étagère avec les 4 boulons sur le dossieret.
3. Faire glisser l'étagère vers le bas jusqu'à ce que les 4 boulons soient engagés dans la partie allongée du trou de serrure.
4. Serrer les 4 boulons pour immobiliser l'étagère.

5. Sur les appareils de 60 po seulement, installer une vis Parker dans le trou sous l'étagère dans le dossieret et serrer la vis.



INTRODUCTION

1. Vérifier la caisse pour déceler les dommages éventuels survenus durant le transport. Retirer avec précaution l'appareil de la caisse et vérifier de nouveau la présence de dommages. Tout dommage doit être signalé immédiatement au transporteur.
2. Les fils de fer retenant les brûleurs et autres matériaux d'emballage doivent être retirés des appareils. Tout matériel de protection couvrant les pièces en acier inoxydable doit également être retiré.
3. Tout l'équipement est expédié de l'usine avec les pieds en place, sauf indication contraire. Dans les cas où la cuisinière doit être montée sur une base avec plinthe, elle est expédiée sans pieds. Des pieds doivent être installés sur le four quand celui-ci est monté sur un sol combustible.
4. Le type de gaz et la pression d'alimentation pour lesquels l'équipement a été réglé en usine sont indiqués sur la plaque signalétique et sur l'emballage. Ce type d'alimentation en gaz doit être utilisé.
5. Ne pas retirer les étiquettes, avertissements ou plaques signalétiques appliqués à demeure sur l'équipement, car cela peut annuler la garantie du fabricant.

| NUMÉRO DE MODÈLE | LARGEUR | PROFONDEUR | HAUTEUR | | POIDS LBS/KG |
|------------------|----------------|-------------------|-------------------|-------------------|-----------------|
| | | | AVEC PIEDS | SANS PIEDS | |
| SX-4 | 24 po (610mm) | 33-1/8 po (841mm) | 38-1/2 po (978mm) | 32-1/2 po (343mm) | 275/125 |
| SX-4-20 | 24 po (610mm) | 33-1/8 po (841mm) | 38-1/2 po (978mm) | 32-1/2 po (343mm) | 350/159 |
| SX-6 | 36 po (914mm) | 33-1/8 po (841mm) | 38-1/2 po (978mm) | 32-1/2 po (343mm) | 346/157 |
| SX-6-26 | 36 po (914mm) | 33-1/8 po (841mm) | 38-1/2 po (978mm) | 32-1/2 po (343mm) | 446/202 |
| SX-6-24BG-26 | 60 po (1524mm) | 33-1/8 po (841mm) | 38-1/2 po (978mm) | 32-1/2 po (343mm) | 855/387 |
| SX-6-24BG-26 | 60 po (1524mm) | 33-1/8 po (841mm) | 38-1/2 po (978mm) | 32-1/2 po (343mm) | 736/333 |
| SX-10-2626 | 60 po (1524mm) | 33-1/8 po (841mm) | 38-1/2 po (978mm) | 32-1/2 po (343mm) | 756/343 |
| SX-10-26 | 60 po (1524mm) | 33-1/8 po (841mm) | 38-1/2 po (978mm) | 32-1/2 po (343mm) | 710/322 |
| SX-1HT-4 | 36 po (914mm) | 33-1/8 po (841mm) | 38-1/2 po (978mm) | 32-1/2 po (343mm) | 360/163 |
| SX-1HT-4-26 | 36 po (914mm) | 33-1/8 po (841mm) | 38-1/2 po (978mm) | 32-1/2 po (343mm) | 460/209 |
| SX-24G-2 | 36 po (914mm) | 33-1/8 po (841mm) | 38-1/2 po (978mm) | 32-1/2 po (343mm) | 380/172 |
| SX-24G-2-26 | 36 po (914mm) | 33-1/8 po (841mm) | 38-1/2 po (978mm) | 32-1/2 po (343mm) | 480/218 |
| SX-24G-6-26 | 60 po (1524mm) | 33-1/8 po (841mm) | 38-1/2 po (978mm) | 32-1/2 po (343mm) | 719/326 |
| SX-24G-6-2626 | 60 po (1524mm) | 33-1/8 po (841mm) | 38-1/2 po (978mm) | 32-1/2 po (343mm) | 793/326 |

Dimensions

DIMENSIONS ET SPÉCIFICATIONS suite

| NUMÉRO DE MODÈLE | DESCRIPTION |
|------------------|---|
| SX-4 | Quatre brûleurs ouverts, sans four |
| SX-4-20 | Quatre brûleurs ouverts, avec four 20 po |
| SX-6 | Six brûleurs ouverts, sans four |
| SX-6-26 | Six brûleurs ouverts, avec four 26po |
| SX-6-24BG-26 | Six brûleurs ouverts, (1) 24 po rôtissoire/grills surélevés, avec (1) four 26 po |
| SX-6-24BG-26 | Six brûleurs ouverts, (1) 24 po rôtissoire/grills surélevés, avec (2) fours 26 po |
| SX-10-2626 | Dix brûleurs ouverts, avec (2) fours 26 po |
| SX-10-26 | Dix brûleurs ouverts, avec (1) four 26 po |
| SX-1HT-4 | Quatre brûleurs ouverts, (1) plaques de cuisson 12 po, sans four |
| SX-1HT-4-26 | Quatre brûleurs ouverts, (1) plaques de cuisson 12 po, avec four 26 po |
| SX-24G-2 | Deux brûleurs ouverts, (1) Gril 24 po, sans four |
| SX-24G-2-26 | Deux brûleurs ouverts, (1) Gril 24 po, avec four 26 po |
| SX-24G-6-26 | Six brûleurs ouverts, (1) Gril 24 po, avec four 26 po |
| SX-24G-6-2626 | Six brûleurs ouverts, (1) Gril 24 po, avec (2) fours 26 po |

Désignations Des Modèles

| BRÛLEUR | | DÉBIT BTU/h | ORIFICE TAILLE DMS | DÉBIT BTU/h | ORIFICE TAILLE DMS |
|-----------------------------|--------|----------------|--------------------------|----------------|--------------------------|
| | | GAZ NATUREL | | PROPANE | |
| Brûleur Ouvert | 28,000 | #39 | 28,000 | 28,000 | 1.5 mm |
| Plaque De Cuisson | 20,000 | #45 | 20,000 | 20,000 | #54 |
| Gril 12 po | 20,000 | #45 | 20,000 | 20,000 | #54 |
| Gril/Rôtissoire | 14,000 | #52 | 14,000 | 13,500 | #57 |
| Four 26 po – Standard ou RC | 30,000 | #36 | 30,000 | 30,000 | #51 |
| Four 20 po | 25,000 | #40 | 25,000 | 25,000 | #54 |

Débites Calorifiques Des Brûleurs Individuels

| GAZ | PRESSION MINIMALE D'ALIMENTATION EN GAZ | PRESSION DE FONCTIONNEMENT DU COLLECTEUR |
|-------------|---|---|
| Propane | 11 po C.E. | 25 mbar |
| GAZ naturel | 7 po C.E. | 11.25 mbar |
| | 17.5 mbar | 4.5 po C.E. |
| | 27.5 mbar | 10 po C.E. |

Pression du gaz

DIMENSIONS ET SPÉCIFICATIONS

TABLE DES MATIÈRES

| | |
|----|---|
| 2 | INFORMATIONS IMPORTANTES |
| 4 | DIMENSIONS ET SPÉCIFICATIONS |
| 4 | Pression du gaz |
| 4 | Débites Calorifiques Des Brûleurs Individuels |
| 4 | Désignations Des Modèles |
| 5 | Dimensions |
| 5 | INTRODUCTION |
| 6 | INSTALLATION |
| 6 | Emplacement |
| 6 | Appareils Équipés De Roulette |
| 6 | Appareils Équipés De Pieds |
| 6 | Installation De L'étagère Sur Le Dossier |
| 7 | Installation Du Dossieret Ou De L'étagère |
| 7 | Air De Ventilation |
| 7 | Réglementation Légale |
| 7 | Connexion Du Gaz |
| 8 | Remarques Sur L'installation |
| 8 | ESSAIS ET RÉGLAGES |
| 8 | Essais |
| 9 | Apprêtage des grils |
| 10 | FONCTIONNEMENT |
| 10 | Brûleurs Supérieurs Ouverts |
| 10 | Sections À Plaque De Cuisson |
| 10 | Grils Commandées Par Robinet |
| 10 | Rôtissoire/Grils Surélevés |
| 10 | Four Standard |
| 11 | APPLICATIONS DES PRODUITS |
| 11 | Généralités |
| 11 | Brûleurs Ouverts |
| 11 | Plaques De Cuisson |
| 11 | Grils |
| 12 | ENTRETIEN ET NETTOYAGE |
| 12 | Acier Inoxydable |
| 12 | Nettoyage Intérieur Des Surfaces En Acier Aluminé |
| 12 | Brûleurs Supérieurs Ouverts |
| 13 | Les Grilles Supérieures En Fonte |
| 13 | Gril |
| 13 | Plaques De Cuisson |

AVERTISSEMENT

Ce produit contient des produits chimiques reconnus par l'état de Californie comme causant le cancer et/ou des malformations congénitales ou d'autres problèmes de reproduction. L'installation et l'entretien de ce produit peut vous exposer aux poussières de laine de verre/fibres céramiques. L'inhalation de ces particules de laine de verre ou de fibres céramiques est reconnue par l'état de Californie comme causant le cancer. L'utilisation de ce produit peut vous exposer au monoxyde de carbone en cas de mauvais réglage. L'inhalation de monoxyde de carbone est reconnue par l'état de Californie comme pouvant causer des malformations congénitales ou d'autres problèmes reproductifs.

**Maintenir les abords de l'appareil
dégagés et ne pas y stocker de produits combustibles**

Enodis UK LTD.
Swallowfield Way, Hayes, Middlesex UB3 1DQ
ANGLETERRÉ
Téléphone : 081-561-0433
Télécopieur : 081-848-0041

GARLAND COMMERCIAL RANGES, LTD.
1177 Kamato Road, Mississauga, Ontario L4W 1X4
CANADA
Téléphone : 905-624-0260
Télécopieur : 905-624-5669

GARLAND COMMERCIAL INDUSTRIES
185 East South Street
Freeland, Pennsylvanie 18224
Téléphone : (570) 636-1000
Télécopieur : (570) 636-3903

L'attention des utilisateurs est attirée sur le fait que l'entretien et les réparations doivent être effectués par un agent d'entretien autorisé par Garland utilisant des pièces de rechange d'origine Garland. Garland n'aura aucune obligation en ce qui concerne n'importe quel produit mal installé, réglé, utilisé ou qui n'aurait pas été entretenu conformément aux codes nationaux et locaux ou aux instructions d'installation fournies avec le produit ou n'importe quel produit dont le numéro de série aurait été mutilé, oblitéré ou supprimé ou qui aurait été modifié ou réparé avec des pièces non autorisées ou par des agents d'entretien non autorisés. Pour obtenir la liste des agents de service autorisés, consulter le site web de Garland à : <http://www.garland-group.com>. Les renseignements contenus dans le présent document (y compris la conception et les spécifications des pièces) peuvent être remplacés ou modifiés sans préavis.

Placer dans un endroit bien en vue les instructions à suivre en cas d'odeur de gaz détectée par l'utilisateur. Cette information peut être obtenue auprès du fournisseur de gaz local.

LIRE TOUTES LES SECTIONS DU PRÉSENT MANUEL ET LE CONSERVER POUR S'Y REPORTER ULTÉRIEUREMENT.

CE PRODUIT A ÉTÉ HOMOLOGUÉ EN TANT QU'ÉQUIPEMENT PROFESSIONNEL DE CUISSON ET DOIT ÊTRE INSTALLÉ PAR DU PERSONNEL PROFESSIONNEL TEL QUE SPÉCIFIÉ.

DANS L'ÉTAT DU MASSACHUSETTS, CE PRODUIT DOIT ÊTRE INSTALLÉ PAR UN PLOMBIER OU UN MONTEUR D'INSTALLATION AU GAZ. NUMÉRO D'AUTORISATION : G-1-07-05-28

Pour votre sécurité

| | |
|--|--|
| AVERTISSEMENT UNE INSTALLATION, DES RÉGLAGES, DES MODIFICATIONS, DES RÉPARATIONS OU UN ENTRETIEN MAL FAITS PEUVENT CAUSER DES DOMMAGES MATÉRIELS, DES BLESSURES OU LA MORT. LIRE SOIGNEUSEMENT LES INSTRUCTIONS D'INSTALLATION, D'UTILISATION ET D'ENTRETIEN AVANT D'INSTALLER OU DE RÉPARER L'ÉQUIPEMENT. | POUR VOTRE SÉCURITÉ: NE PAS STOCKER NI UTILISER D'ESSENCE OU D'AUTRES VAPEURS OU LIQUIDES INFLAMMABLES À PROXIMITÉ DE CET APPAREIL OU DE TOUT AUTRE APPAREIL |
|--|--|



MANUEL D'UTILISATION ET D'INSTALLATION DE CUISINIÈRES DE RESTAURANT SÉRIE SUNFIRE SX

