



Item: \_\_\_\_\_  
 Quantity: \_\_\_\_\_  
 Project: \_\_\_\_\_  
 Approval: \_\_\_\_\_  
 Date: \_\_\_\_\_

Polar Cuisine Self-Contained Refrigerated Or Freezer Base

# Polar Cuisine Self-Contained Refrigerated Or Freezer Base

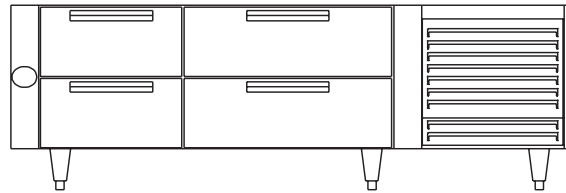
Models:

**REFRIGERATION UNITS**

- BRSA-1-02-48US     BRSA-1-02-54US     BRSA-2-04-60US
- BRSA-2-04-66US     BRSA-2-04-72US     BRSA-2-04-78US     BRSA-2-04-84US     BRSA-3-06-90US
- BRSA-3-06-96US     BRSA-3-06-102US     BRSA-3-06-108US     BRSA-3-08-114US     BRSA-3-06-120US

**FREEZER UNITS**

- BFSA-1-02-48US     BFSA-1-02-54US     BFSA-2-04-60US
- BFSA-2-04-66US     BFSA-2-04-72US     BFSA-2-04-78US     BFSA-2-04-84US     BFSA-3-06-90US



**Standard Features:**

- Refrigerator/Freezer cabinet interior, front and side stainless steel
- Drawers and cabinet are 100% "Pressure sprayed in place" foam insulation
- Self-closing drawers with heavy duty 2" (51mm) skate wheels with a stainless steel tract
- Heavy duty, long life rubber drawer gaskets
- Center located, flush mount handle for positive opening and reduced stress points on drawer
- Easy to remove drawers for cleaning and set-up
- Designed to accommodate standard 6" (152mm) deep hotel pans in configuration, to suit your needs

- No exposed fasteners
- Front, face mounted dial thermometers
- Blower coil evaporator with R-404A expansion valve standard
- Internal conduit for single point electrical connection
- Sleeves provided for refrigeration & drain lines
- Stainless steel adjustable 6" (152mm) legs

NOTE: Electrical junction box, drain line and refrigeration are all standard left rear connection. Consult factory for other locations.

**Optional Features:**

- Padlock assemblies
- 6" (162mm) casters, front locking; (5"/127mm diameter wheel)
- 5 year warranty (compressor only)

**Specifications:**

US Range Low height Self-Contained Refrigerated or Freezer Base model \_\_\_\_\_ to be exclusively used under US Range Heavy Duty Cuisine Series modular tops. Stainless steel refrigerated or freezer base interior, front face, drawers and sides. 3/8" (10mm) radius bottom and vertical corners of inner liner. Bottom and back of base of galvanized steel. 100% polyurethane shot-in-place foam, free of any CFCs insulation for cabinet and drawer faces. Stainless steel self closing drawer track assemblies with heavy duty 2" (51mm) skate wheels with concealed bearings. Heavy duty, long life PVC drawer gaskets. R-404A blower coil evaporator with expansion valve, concealed pre-wired electrical conduit to a single point connection, dial thermometer and sleeve for drain and refrigeration lines. 6" (152 mm) stainless steel legs with 2" (51mm) adjustable bullet feet.



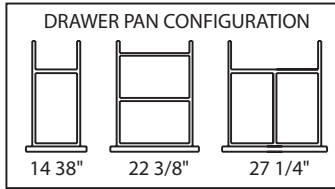
NOTE: Bases supplied with casters must be installed with an approved restraining device.

Garland Commercial Industries, LLC  
 185 East South Street  
 Freeland, PA 18224  
 Phone: (570) 636-1000  
 Fax: (570) 636-3903

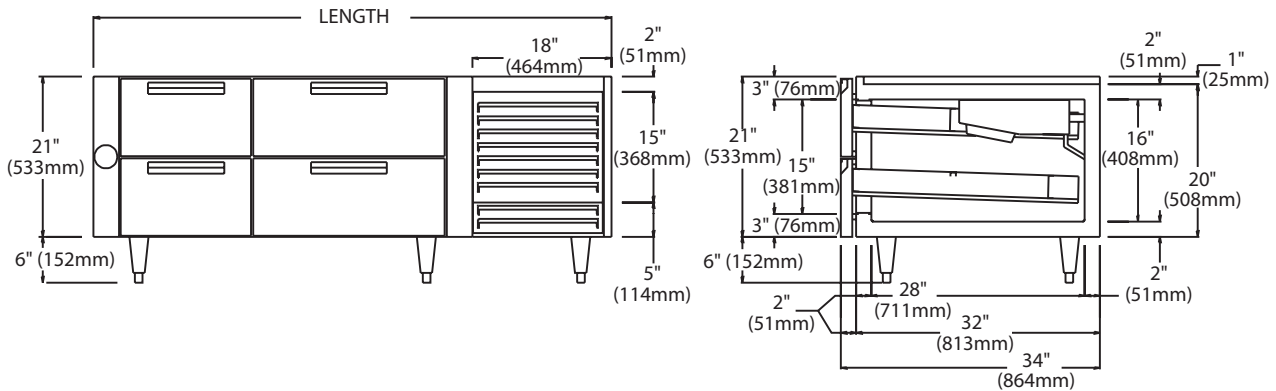
Garland Commercial Ranges Ltd  
 1177 Kamato Road,  
 Mississauga, Ontario  
 L4W 1X4 CANADA  
 Phone: 905-624-0260  
 Fax: 905-624-5669

Enodis UK LTD  
 Swallowfield Way,  
 Hayes, Middlesex  
 UB3 1DQ ENGLAND  
 Telephone: 081-561-0433  
 Fax: 081-848-0041





Note: Bases must be ordered with a U.S. Range Cuisine Unist Only  
Optional pressure Regular required.



**Low Height Refrigerations: 21"(533mm) Body Height**

Self Contained Model	Length: In.(mm)	Depth: In.(mm)	Height: In.(mm)	Drawer Size Openings			Hotel Pans	Utilities			
				14-3/8"	22-3/8"	27-1/4"		Volts	Amps	Phase	BTU'S
BRSA-1-02-48US	48(1219)	34(864)	27(686)		2		2	115	8.2	1ph	1000
BRSA-1-02-54US	54(1372)	34(864)	27(686)			2	3	115	8.2	1ph	1000
BRSA-2-04-60US	60(1524)	34(864)	27(686)	4			4	115	8.2	1ph	1000
BRSA-2-04-66US	66(1672)	34(864)	27(686)	2	2		5	115	8.9	1ph	1300
BRSA-2-04-72US	72(1829)	34(864)	27(686)	2		2	6	115	8.9	1ph	1300
BRSA-2-04-78US	78(1981)	34(864)	27(686)		2	2	8	115	8.9	1ph	1300
BRSA-2-04-84US	84(2134)	34(864)	27(686)			4	7	115	9.3	1ph	1300
BRSA-3-06-90US	90(2286)	34(864)	27(686)	4		2	7	115	8.9	1ph	1300
BRSA-3-06-96US	96(2438)	34(864)	27(686)	4		2	7	115	9.3	1ph	1300
BRSA-3-06-102US	102(2591)	34(864)	27(686)		6		12	115	9.3	1ph	1300
BRSA-3-06-108US	108(2743)	34(864)	27(686)		2	4	12	115	9.3	1ph	1300
BRSA-3-06-114US	114(2896)	34(864)	27(686)			6	12	115	9.3	1ph	1300
BRSA-3-08-120US	120(3048)	34(864)	27(686)			6	16	115	9.3	1ph	1300

**Low Height Freezers: 21" (533mm) Body Height**

Self Contained Model	Length: Ins(mm)	Depth: Ins(mm)	Height: Ins(mm)	Drawer Size Openings			Hotel Pans	Utilities			
				14-3/8"	22-3/8"	27-1/4"		Volts	Amps	Phase	BTU'S
BFSA-1-02-48US	48(1219)	34(864)	27(686)		2		2	115	8.2	1ph	1000
BFSA-1-02-54US	54(1372)	34(864)	27(686)			2	3	115	8.2	1ph	1000
BFSA-2-04-60US	60(1524)	34(864)	27(686)	4			4	115	8.2	1ph	1000
BFSA-2-04-66US	66(1676)	34(864)	27(686)	2	2		5	115	8.9	1ph	1300
BFSA-2-04-72US	72(1829)	34(864)	27(686)	2		2	6	115	8.9	1ph	1300
BFSA-2-04-78US	78(1981)	34(864)	27(686)		2	2	8	115	8.9	1ph	1300
BFSA-2-04-84US	84(2134)	34(864)	27(686)			4	7	115	9.3	1ph	1300
BFSA-3-06-90US	90(2286)	34(864)	27(686)	4		2	7	115	8.9	1ph	1300

Form# BRSA (09/04/08)