



Cuisine Series Heavy Duty Infra-Red Double Broiler

Item: C2100M

Quantity: _____

Project: _____

Approval: _____

Date: _____

Models:

C2100M



Model C2100M w/Optional Casters

Standard Features:

- Stainless steel front, top, and sides
- 6" (152mm), chrome steel adjustable legs
- Four, (4), direct radiant, infra-red, 17,500 BTU, (5.14kW), burners per broiling chamber
- 120V air-intake blower motor
- Easy to clean, removable mesh filter
- Air-proving safety switch, which cuts off gas supply when air-intake blower is not operational, or if the filter is blocked
- 6-foot (1.8m) AC power cord and plug
- Removable broiler grid rack sections; 24" (610mm) wide x 22" (559mm) deep
- 3-position adjustable broiling racks, (opening is 4-1/2"/114mm high with rack in lowest position)

- Large capacity, easily removable grease container for each broiling chamber; located outside of the heat zone
- Two, (2), "High/Medium/Low" independent heat controls for each broiling chamber
- 3/4" rear gas connection w/gas pressure regulator

Optional Features:

- Stainless steel main back
- 6" (152mm) stainless steel adjustable legs, set of (4)
- Set of (4) swivel casters with front (2) locking
- Polyurethane, non-marking swivel casters (4) with front (2) locking
- Adjustable casters (for C2100M only)
- Flanged feet set of (4)
- Gas flex hose w/quick disconnect - 3/4"

Specifications:

Double, over-fired broiler with two infra-red broiler chambers. Four, (4), 17,500 BTU, (5.14kW), direct radiant burners per broiling chamber. Fan-assisted clean air delivery system. Each chamber features a large capacity, easy to remove grease collection pan. Standard with stainless steel front, two independent heat controls, (left and right), for each broiling chamber and 3/4" rear gas connection with pressure regulator. Natural gas or propane.



NOTE: Broilers supplied with casters must be installed with an approved restraining device.

Cuisine Series Heavy Duty Infra-Red Double Broiler

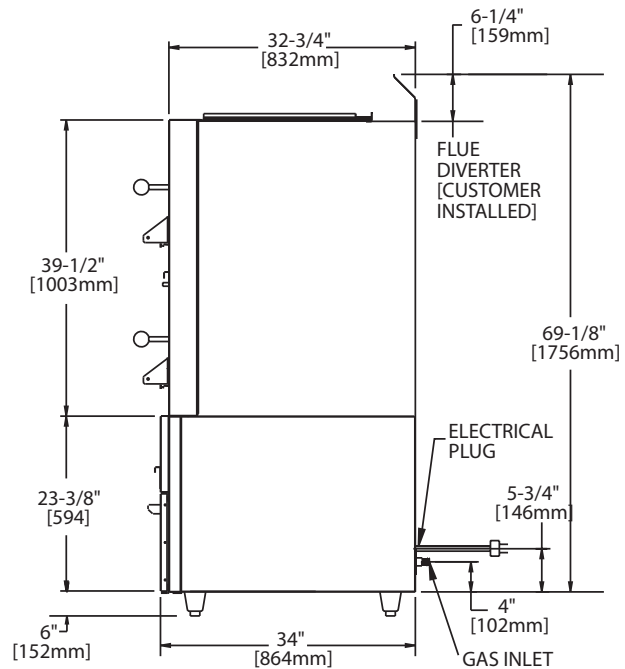
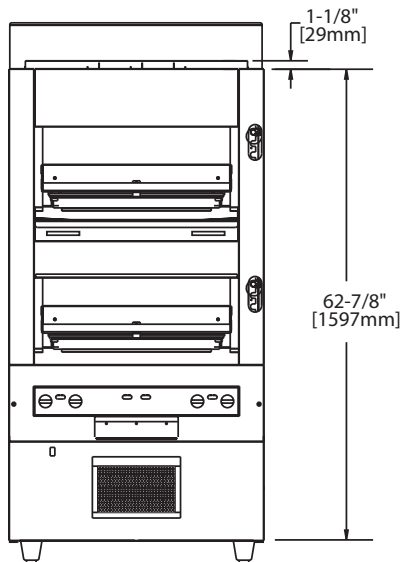
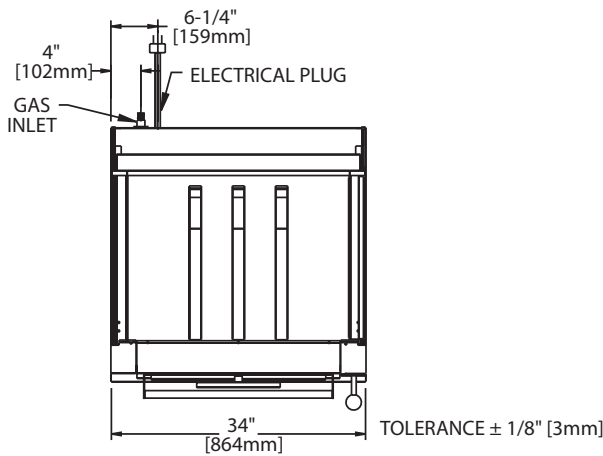
Input Rating				Manifold Operating Pressure				Rear Gas Connection	Electrical Supply
Per Burner		Total		Natural		Propane			
BTU	kW	BTU	kW	"WC	mbar	"WC	mbar	3/4" NPT	120V/60Hz/1Ø 3 Amps
17,500	5.14	140,000	41.12	6	15	11	27.5		

Gas input ratings shown for installations up to 2000 ft., (610m), above sea level. Please specify altitudes over 2000 ft. Please specify gas type when ordering.

Exterior Dimensions			Installation Clearances*		Entry Clearances	
Height	Width	Depth	Sides	Rear	Crated	Uncrated
75-1/8" (1908mm)	34" (864mm)	34" (864mm)	6" (152mm)	6" (152mm)	39-1/4" (997mm)	37" (940mm)

*For installation in non-combustible locations only.

Garland/U.S. Range products are not approved or authorized for home or residential use, but are intended for commercial applications only. Garland / U.S. Range will not provide service, warranty, maintenance or support of any kind other than in commercial applications.



Form# C2100M (08/17/11)