



# Infra-Red Salamander Broiler

Item: \_\_\_\_\_

Quantity: \_\_\_\_\_

Project: \_\_\_\_\_

Approval: \_\_\_\_\_

Date: \_\_\_\_\_

# Infra-Red Salamander Broiler

Models:

BS-CX

BS-WX

BS-RX



Model BS-CX

### Standard Features:

- Stainless steel front, sides, and top
- Single, 30,000 atmospheric infra-red burner designed for heavy broiling
- Available in Natural or Propane gas
- 5 position, positive lock, adjustable rack height
- Large capacity removable grease pan
- Designed to be installed on a counter, wall or range mounted on Cuisine Series ranges

- Broiling grid 28" (711mm) Wide x 13 1/2" (343mm) Deep
- Heavy-duty, spring assisted carriage is angle iron construction for long life and durability
- 1/2" NPT top gas inlet
- One Year limited parts and labor warranty (USA and Canada only)

### Optional Features:

- Interconnection gas pipe for range mounting
- S/S bottom available for BS-RX Cuisine Series range-mount models and BS-WX wall mount.

### Specification:

Unit shall be a U.S. Range Infrared Salamander Broiler, Model \_\_\_\_\_. Single 30,000 BTU atmospheric infra-red burner, with 5 position adjustable rack. Stainless steel finish on front, sides, and top, available in natural or propane gas. Unit to be range, (BS-RX), counter, (BS-CX), or wall mounted, (BS-WX).



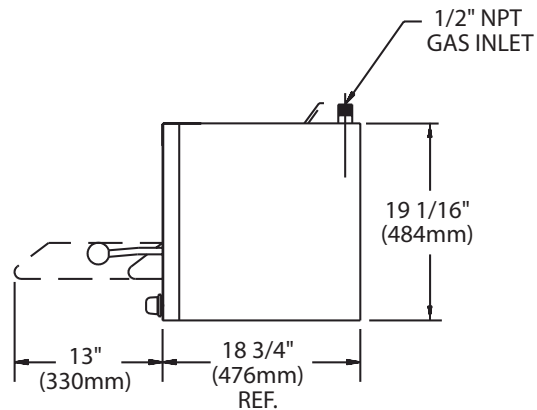
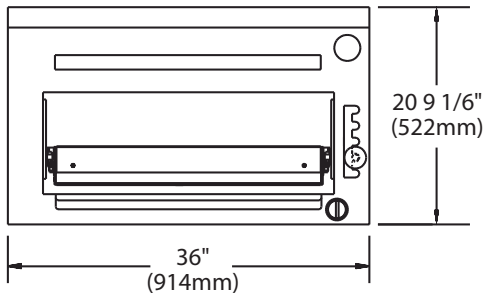
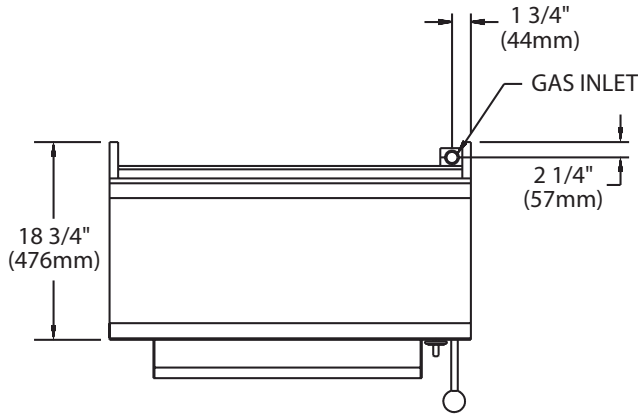
Model #	Description
BS-CX	36" wide Salamander Broiler for countertop use (with 4" (102mm) legs)
BS-WX	36" wide Salamander Broiler for wall mounting (with mounting brackets)
BS-RX	36" Salamander Broiler for Cuisine Series range mounting (with backguard)

Many local codes exist and it is the responsibility of the owner and installer to comply with those codes.

Garland/U.S. Range products are not approved or authorized for home or residential use, but are intended for commercial applications only. Garland / U.S. Range will not provide service, warranty, maintenance or support of any kind other than in commercial applications.

Model #	Weight Lbs/Kg	Cu Ft
BS-RX	205/93	28
BS-CX	210/95	20
BS-WX	192/87	20

Manifold Operating Pressure	
Natural Gas	5.0" WC (12.5mbar)
Propane	11.0" WC (28mbar)



Form# BSX (08/16/11)