



CUISINE SERIES
HEAVY DUTY GAS FRYERS
Models C836-1-35F, C836-FMA &
C836-FMD

PARTS LIST

Toll Free Phone, (US & Canada): (800) 427-6668

Toll Free Fax, (US & Canada): (800) 361-7745

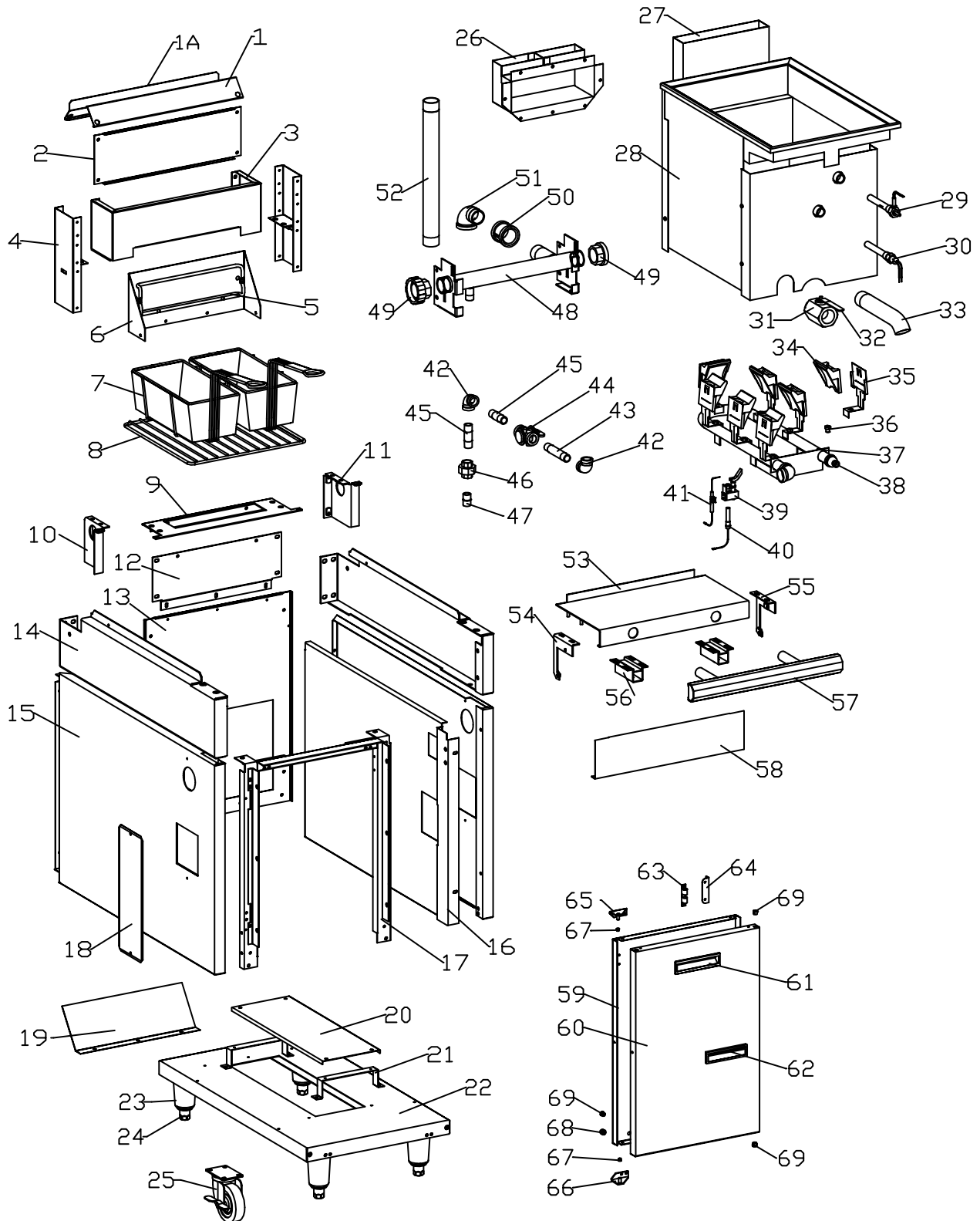
<http://www.garland-group.com>



CUISINE SERIES
HEAVY DUTY GAS FRYERS
Models C836-1-35F, C836-FMA &
C836-FMD

Contents:

Cuisine Series Heavy Duty Gas Fryer - Model C836-1-35F.....	Page 4
Cuisine Series Heavy Duty Filter-quick - Model C836-FMA.....	Page 6
Cuisine Series Heavy Duty Storage Cabinet - Model C836-FMD	Page 12
Revision History.....	Page 14



US RANGE PARTS IDENTIFICATION

Cuisine Series Heavy Duty Gas Fryer - Model C836-1-35F

ITEM	PART #	DESCRIPTION	QUANTITY
1	4518226	Flue Cap Front	1
1A	4518227	Flue Cap Rear	1
2	3035101	Backguard Back	1
3	3035001	Backguard	1
4	3034899	Backguard Post	2
5	F826-1015	Basket Hanger Kit	1
6	1480600	Fry Pot Back-Splash	1
7	F803-0020	Twin Basket	2
	F803-0015	Large Single Basket	1
8	F803-0032	Basket Support Rack	1
9	4517662	Back Top	1
10	3021799	Shelf Mounting Bracket Lt.	1
11	3021798	Shelf Mounting Bracket Rt.	1
12	3020703	Burner Box Back	1
13	4517663	Main Back	1
14	4517624	Burner Box Side Lt.	1
	4517623	Burner Box Side Rt.	1
15	4517620	Body Side Lt.	1
	4517619	Body Side Rt.	1
16	4517622	Body Side Liner Lt.	1
	4517621	Body Side Liner Rt.	1
17	3015696	Front Frame Assy.	1
18	1574400	Body Side Patch	2
19	1290204	Shield Rear	1
20	4517671	Air Intake Cover	1
21	4517670	Cover Bracket	2
22	4517887	Main Bottom Assy.	1
23	1027600	Leg Retainer	4
24	1150502	Bullet Leg	4
25	1027800	Caster	2
	1027801	Caster w/ Brake	2
26	4517659	Flue Assembly	1
27	4518615	Flue Riser Assy.	1
28	1600998	Fry Pot Assembly LP	1
	1600999	Fry Pot Assembly Nat	1
29	F826-1177	Thermostat Hi-Limit	1
30	F806-0184	Thermostat Opening	1
31	F823-1363	Drain Valve 1-1/4" x 1"	1
32	F810-0662	Drain Valve Handle w/ Lock Pin	1
33	F812-1227	Drain Extension	1
34	F806-4720	Deflector Single	9
35	F810-0152	Deflector Bracket	9
36	F810-0129	Orifice Main Burner Nat 51F 1.70mm	9
	F810-0134	Orifice Main Burner LP 59F 1.05mm	9
37	F823-0106	Manifold Assembly	1
38	G02251-1	Pressure Test Spigot	1
39	F810-0615	Pilot Burner	1
	F810-0149	Pilot Orifice Nat	1
	F810-0148	Pilot Orifice LP	1
40	F810-0617-1	Thermopile	1
41	G03151-2	Piezo Electrode	1
42	G01474-2	Elbow 1/2" NPT	2

* NOT ILLUSTRATED

RECOMMENDED STOCK PARTS

US RANGE PARTS IDENTIFICATION

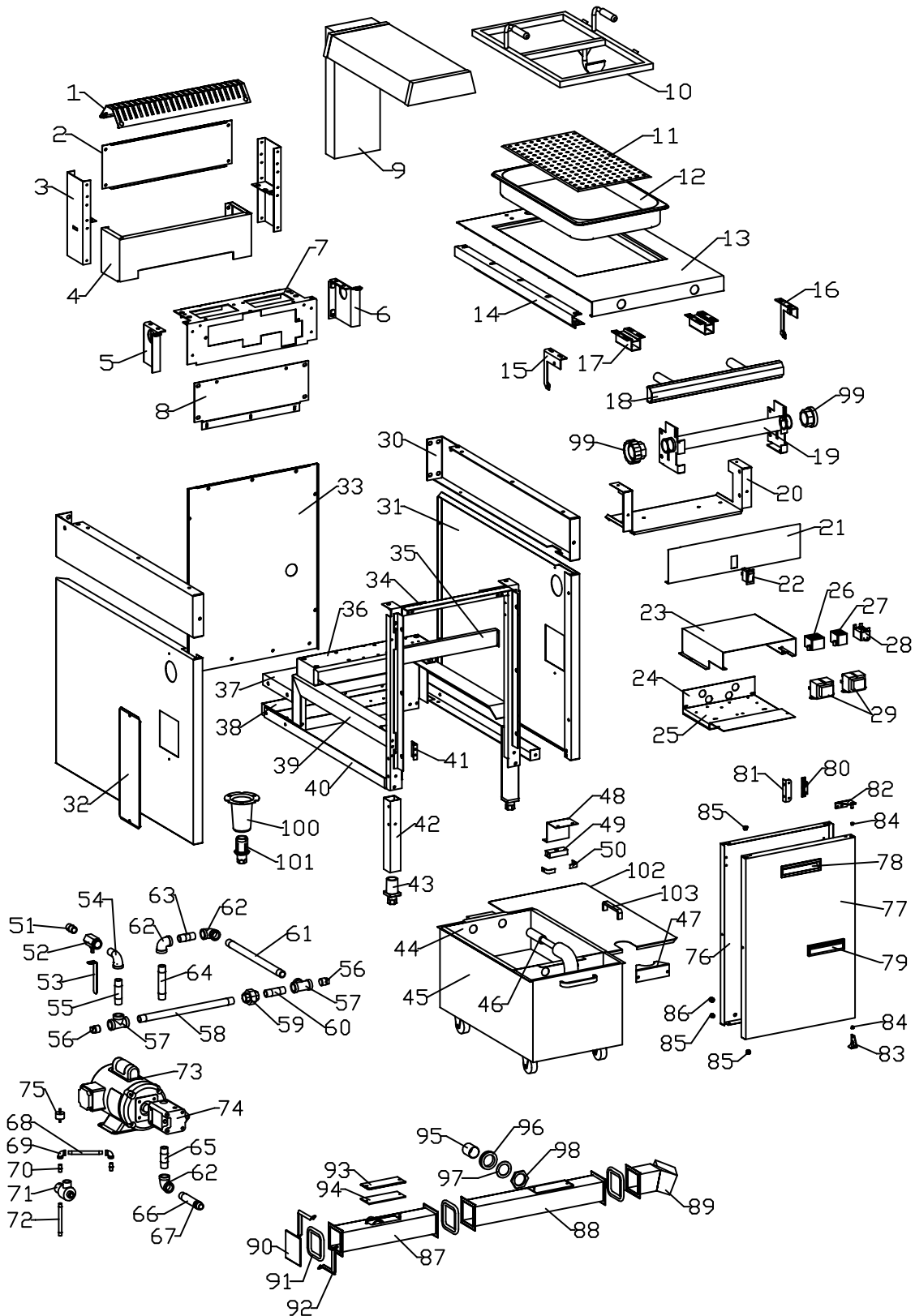
Cuisine Series Heavy Duty Gas Fryer - Model C836-1-35F

ITEM	PART #	DESCRIPTION	QUANTITY
43	G01477-2	Nipple 1/2" NPT x 4-1/8"	1
44	G01517-1	Shut-Off Valve	1
45	G01477-4	Nipple 1/2" NPT x 2-1/2"	2
46	G01739-1	Union 1/2" NPT	1
47	G01736-1	Nipple 1/2" NPT x Close	1
48	4517831	Manifold Assembly	1
	4517832	Manifold Assembly Rear Gas	1
49	G7075	Union 1-1/4" NPT	1
50	2437102	3/4" Rear Gas Option - Reduc. Coupling	1
	076029-183	1-1/4" Rear Gas Option - Coupling 1-1/4" NPT	1
51	G01475-2	3/4" Rear Gas Option - Street Elbow 3/4" NPT	1
	076029-194	1-1/4" Rear Gas Option - Street Elbow 1-1/4" NPT	1
52	076029-190	3/4" Rear Gas Option - Nipple 3/4" NPT x 16"	1
	076029-195	1-1/4" Rear Gas Option - Nipple 1-1/4" NPT x 16"	1
53	4517649	Front Rail Assembly	1
54	3023299	Manifold Mounting Bracket Assembly Lt.	1
55	3023298	Manifold Mounting Bracket Assembly Rt.	1
56	3024399	Extended Rail Mounting. Assembly	2
57	3049698	Extended Rail Assembly 18"	1
58	3025009	Valve Panel	1
59	3022402	Door Liner	1
60	3022302	Door Panel	1
61	3031900	Door Handle	1
62	3077103	U.S.Range Nameplate	1
63	3051100	Door Latch	1
64	3051300	Door Latch Bracket	1
65	3022698	Door Hinge Assy.	1
66	3022699	Door Hinge Assy.	1
67	078056-5	Flanged Bushing	2
68	2327100	Door Stop Bumper	1
69	2530900	Hole Plug	3

* NOT ILLUSTRATED

RECOMMENDED STOCK PARTS

NOTES



451843

US RANGE PARTS IDENTIFICATION

Cuisine Series Heavy Duty Filter-quick - Model C836-FMA

ITEM	PART #	DESCRIPTION	QUANTITY
1	3035201	Flue Cap	1
2	3035101	Backguard Back	1
3	3034899	Backguard Post	2
4	3035001	Backguard	1
5	3021799	Shelf Mounting Bracket Lt.	1
6	3021798	Shelf Mounting Bracket Rt.	1
7	3020603	Back Top	1
8	3020703	Burner Box Back	1
	3020721	Burner Box Back - Rear Gas	1
9	4518116	Heat Lamp 120V (Opt.)	1
	4518117	Heat Lamp 208/240V (Opt.)	1
10	1600799	Power Shower	1
11	1651301	1" Pan Insert	1
12	1651300	2 1/2" Pan	1
13	4517923	Main Top	1
	4517924	Main Top Heat - Lamp	1
14	3053500	Top Support Channel	2
15	3023299	Manifold Mounting Bracket Assembly Lt.	1
16	3032398	Manifold Mounting Bracket Assembly Rt.	1
17	3024399	Extended Rail Mounting Assembly	2
18	3049698	Extended Rail Assembly	1
19	3027796	Manifold Assembly	1
	3027795	Manifold Assembly Rear Gas.	1
20	4517896	Burner Box Bottom	1
21	4517909	Control Panel	1
22	1578800	On/Off Switch	1
23	4517895	Component Box Cover	1
24	4518119	Component Box Tray	1
25	4517894	Component Box Bottom	1
26	1579300	16 Pin Terminal Block	1
27	1579200	12 Pin Terminal Block	1
28	1578400	Pump Motor Relay	1
29	1578300	Transformer 120V/24V	2
	1578301	Transformer 240V/24V	2
30	3016801	Burner Box Side Lt.	1
	3016800	Burner Box Side Rt.	1
31	4517620	Body Side Lt.	1
	4517619	Body Side Rt.	1
32	1574400	Body Side Patch	2
33	4517684	Main Back	1
34	3015696	Front Frame Assembly	1
35	4517865	Front Support	1
36	1574700	Pump Support	1
37	4517960	Base Channel Insert	1
38	4517685	Base Channel	1
39	2612700	Filter Slide Lt.	1
	2612701	Filter Slide Rt.	1
40	2612600	Lifting Angle Lt.	1
	2612601	Lifting Angle Rt.	1
41	4517867	Filter Slide Bracket	2

* NOT ILLUSTRATED

RECOMMENDED STOCK PARTS

US RANGE PARTS IDENTIFICATION

Cuisine Series Heavy Duty Filter-quick - Model C836-FMA

ITEM	PART #	DESCRIPTION	QUANTITY
42	2612800	Leg	2
43	1236100	Leg Bullet Insert	2
44	1601798	Crumb Screen	1
45	1601799	Drain Pan Assembly	1
46	1601797	Filter Foot	1
47	4518232	Tank Cover Filler	1
48	1574600	Contactora Support Bracket	1
49	1640600	Contactora Block	1
50	1640500	Contactora	2
51	G01736-1	Close Nipple 1/2" NPT	1
52	1578100	Ball Valve 1/2" NPT	1
53	2593700	Valve Handle	1
54	G01475-1	Street Elbow 90 Deg. 1/2" NPT	1
55	G01896-1	Nipple 1/2" NPT x 3"	1
56	G01747-4	Pipe Plug 1/2" NPT	2
57	G01474-2	Tee 1/2" NPT	2
58	G01477-1	Nipple 1/2" NPT x 12 3/4"	1
59	G01739-1	Union 1/2" NPT	1
60	G01896-2	Nipple 1/2" NPT x 3 1/2"	1
61	2258100	Nipple 1/2" NPT x 11 3/8"	1
62	G01474-2	Elbow 90 Deg. 1/2" NPT	3
63	G01477-3	Nipple 1/2" NPT x 2"	1
64	G01477-2	Nipple 1/2" NPT x 4 1/8	1
65	G01477-4	Nipple 1/2" NPT x 2 1/2"	1
66	1576200	Male Disconnect	1
67	2599400	O-Ring	2
68	1004606	Nipple 1/8" NPT x 4"	1
69	1026700	Elbow 90 Deg. 1/8" NPT	2
70	1004600	Close nipple 1/8" NPT	2
71	1578500	Solenoid vent Valve	1
72	1004606	Nipple 1/8" NPT x 4"	1
73	2599200	Electric Pump Motor 120V	1
	2599201	Electric Pump Motor 230V	1
74	2599100	Pump	1
75	1580000	Vibration Mounts	4
76	3022402	Door Liner	1
77	3022302	Door Panel	1
78	3031900	Door Handle	1
79	3077103	U.S.Range Nameplate	1
80	3051100	Door Latch	1
81	3051300	Door Latch Bracket	1
82	3022699	Door Hinge Assembly	1
83	4517886	Door Hinge Assembly	1
84	078056-5	Flanged Bushing	2
85	2530900	Hole Plug	3
86	2327100	Door Stop Bumper	1
87	4517803	Drain Tube Assembly 17"	1
88	4517805	Drain Tube Assembly 13"	1
89	2599999	Drain Elbow Assembly Lt.	1
	2599998	Drain Elbow Assembly Rt.	1

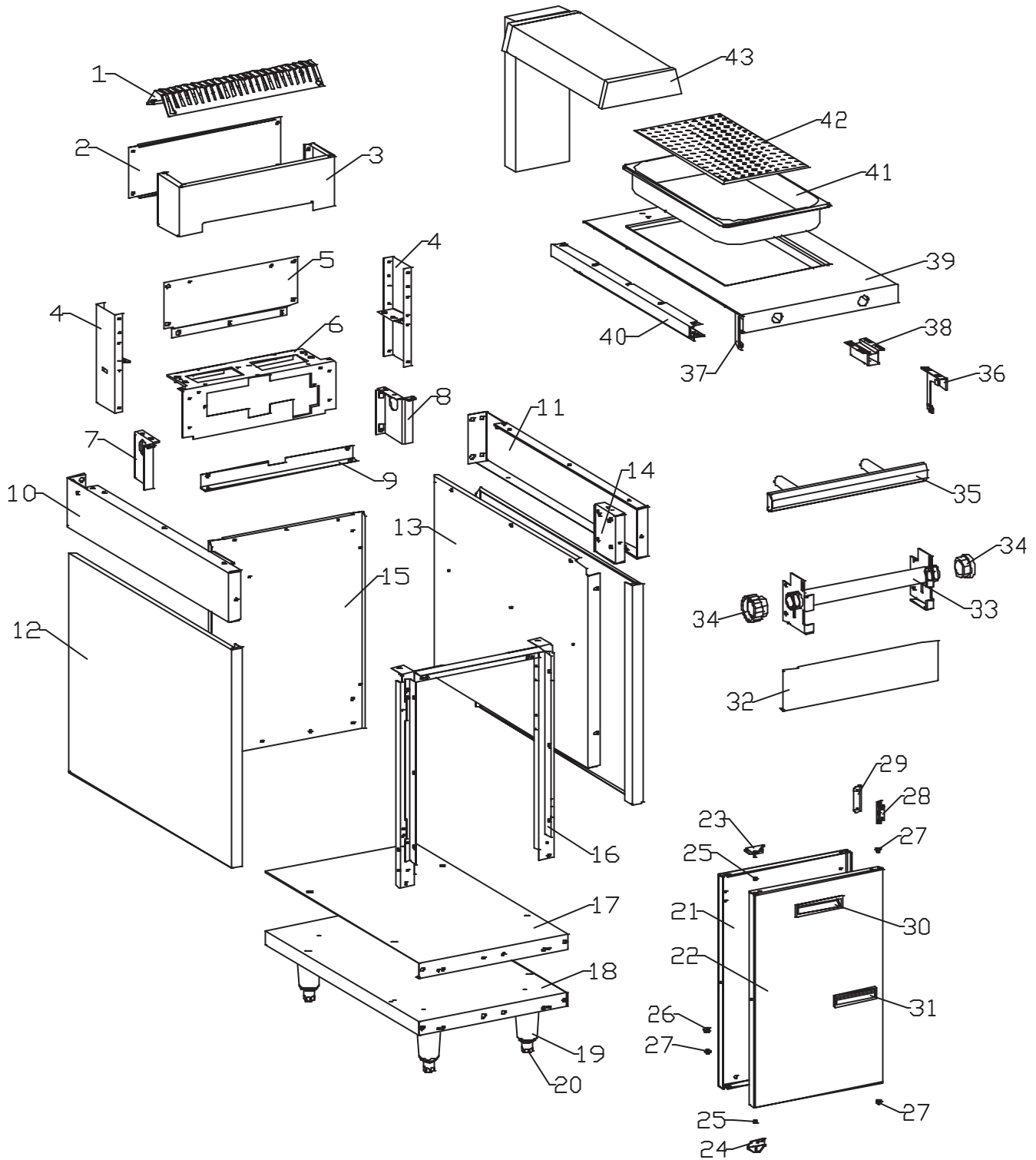
* NOT ILLUSTRATED

RECOMMENDED STOCK PARTS

US RANGE PARTS IDENTIFICATION
Cuisine Series Heavy Duty Filter-quick - Model C836-FMA

ITEM	PART #	DESCRIPTION	QUANTITY
90	1580200	Cover, Drain End	1
91	1580100	Drain Gasket	2
92	1580900	Drain Gasket Clamp	4
93	1580800	Drain Clean-out Cover	1
94	1580700	Drain Clean-out Gasket	1
95	1580600	Close Nipple 1"	1
96	1580500	Drain Gasket	1
97	1580400	Retainer Washer	1
98	1580300	Retaining Nut	1
99	G7075	Union 1-1/4" NPT	1
100	1027600	Leg Retainer	2
101	1150502	Bullet Leg	2
102	4518039	Tank Cover	1
103	3041000	Handle	2

* NOT ILLUSTRATED
RECOMMENDED STOCK PARTS



US RANGE PARTS IDENTIFICATION

Cuisine Series Heavy Duty Storage Cabinet - Model C836-FMD

ITEM	PART #	DESCRIPTION	QUANTITY
1	3035201	Flue Cap	1
2	3035101	Backguard Back	1
3	3035001	Backguard	1
4	3034899	Backguard Post	2
5	3020703	Burner Box Back	1
	3020721	Burner Box Back - Rear Gas	1
6	3020603	Back Top	1
7	3021799	Shelf Mounting Bracket Lt.	1
8	3021798	Shelf Mounting Brkt. Rt.	1
9	3056602	Back Top Support	1
10	3016801	Burner Box Side Lt.	1
11	3016800	Burner Box Side Rt.	1
12	3017103	Body Side Lt.	1
	3017102	Body Side Rt.	1
13	3022001	Side Liner Lt.	1
	3022000	Side Liner Rt.	1
14	3054200	Spreader Manifold Mount	2
15	3017303	Main Back	1
16	3015696	Front Frame Assembly	1
17	3022202	Bottom Liner	1
18	3014797	Main Bottom Assembly	1
19	1027600	Leg Retainer	4
20	1150502	Bullet Leg	4
21	3022402	Door Liner	1
22	3022302	Door Panel	1
23	3022698	Door Hinge Assembly	1
24	3022699	Door Hinge Assembly	1
25	078056-5	Flanged Bushing	2
26	2327100	Door Stop Bumper	1
27	2530900	Hole Plug	3
28	3051100	Door Latch	1
29	3051300	Door Latch Bracket	1
30	3031900	Door Handle	1
31	3077103	U.S. Range Nameplate	1
32	3025009	Front Panel	1
33	3027796	Manifold Assembly	1
	3027795	Manifold Assembly - Rear Gas	1
34	G7075	Union 1-1/4" NPT	1
35	3049698	Extended Rail Assembly	1
36	3023298	Manifold Mounting Bracket Assembly Rt.	1
37	3023299	Manifold Mounting Bracket Assembly Lt.	1
38	3024399	Extended Rail Mounting Assembly	2
39	4517923	Main Top - Dump Station	1
	4517924	Main Top - Heat Lamp	1
	3053498	Main Top - Work Surface	1
40	3053500	Top Support Channel	2
41	1651300	2-1/2" Pan	1
42	1651301	1" Pan Insert	1
43	4518116	Heat Lamp 120V (Optional)	1
	4518117	Heat Lamp 208/240V (Optional)	1

* NOT ILLUSTRATED

RECOMMENDED STOCK PARTS

US RANGE PARTS IDENTIFICATION

Revision History

REV. #	PAGE #	ITEM #	NOTE	DATE
0			New Parts List	Nov 10/04
1	12,13		New Model C836-FMD Added	Jan 10/05
2	6	54,55	Error In Description	Jan 13/05
	9	15, 16		
	13		Reformatted Page	
3	10, 11		New Title Added	May 22/07

NOTES

