



Item: _____
 Quantity: _____
 Project: _____
 Approval: _____
 Date: _____

Regal Series Snap Action Thermostat Control Griddle

Models:

- RG TSA-2424-1 RG TSA-2436-1 RG TSA-2448-1



RG TSA-2448-1

Standard Features:

- Stainless steel front, sides and landing ledge
- 24" (610mm) - 72" (1829mm) wide
- 14 Gauge splash guard
- Built-in front grease trough
- Large capacity, removable grease container
- Aluminized steel burners, one every 12" (305mm)
- 24,000 BTU/hr per burner
- Snap action thermostat control
- 110V cord/plug provided

- Temperature range 100°F - 450°F (32°C - 232°C)
- 1" (25mm) thick steel griddle plate
- 4" (102mm) legs with adjustable feet
- 3/4" rear gas connection w/ regulator
- One year parts and labor warranty

Optional Features:

- Stainless steel equipment stand with intermediate shelf
- Swivel casters on stand

Specification:

Shall be U.S. Range Regal Snap Thermostat Control Griddle. Model _____ with a total BTU/hr rating of _____ when used with natural or propane gas. Finish is to be stainless steel front and sides.



Garland Commercial Industries, LLC
 185 East South Street
 Freeland, PA 18224
 Phone: (570) 636-1000
 Fax: (570) 636-3903

Garland Commercial Ranges Ltd
 1177 Kamato Road,
 Mississauga, Ontario
 L4W 1X4 CANADA
 Phone: 905-624-0260
 Fax: 905-624-5669

Enodis UK LTD
 Swallowfield Way,
 Hayes, Middlesex
 UB3 1DQ ENGLAND
 Telephone: 081-561-0433
 Fax: 081-848-0041



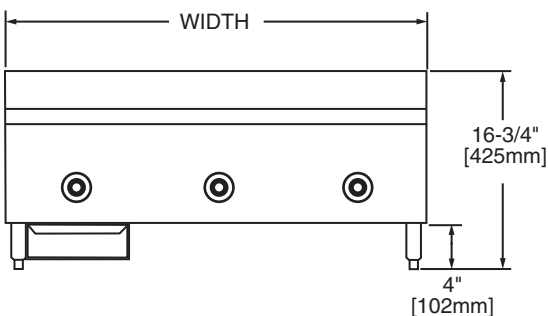
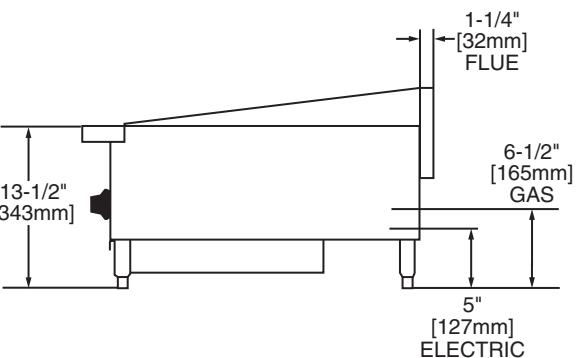
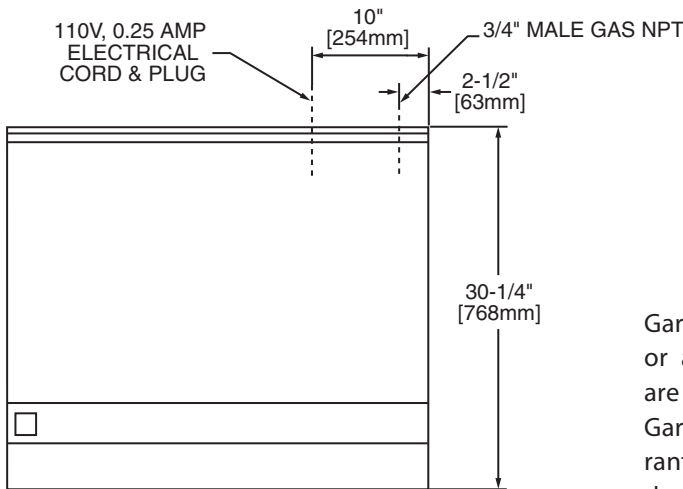
Model #	Dimensions: In. (mm)			No. of Burners	Total BTU*	Griddle Size; In. (mm)	
	Width	Depth	Height			Width	Depth
RGTSA-2424-1	24(610)	30-1/4(768)	16-3/4(425)	2	48,000	24(610)	22(559)
RGTSA-2436-1	36(914)	30-1/4(768)	16-3/4(425)	3	72,000	36(914)	22(559)
RGTSA-2448-1	48(1219)	30-1/4(768)	16-3/4(425)	4	96,000	48(1219)	22(559)

*** Natural and Propane Gas**

Many local codes exist and it is the responsibility of the owner and installer to comply with those codes.

Shipping Information		
Model No.	Weight Lb/Kg	Cube
RGTSA-2424-1	270/122	18.0
RGTSA-2436-1	370/168	25.0
RGTSA-2448-1	441/200	33.0

Manifold Operating Pressure All Models			
Natural Gas		Propane	
"WC	Mbar	"WC	Mbar
5	12.5	10	25



Garland/U.S. Range products are not approved or authorized for home or residential use, but are intended for commercial applications only. Garland/U.S. Range will not provide service, warranty, maintenance or support of any kind other than in commercial applications.

Form# RGTSA (06/07)