



Item: _____
 Quantity: _____
 Project: _____
 Approval: _____
 Date: _____

Regal Series Broiler with Nonadjustable Grates

Models:

- RBA-24 RBA-30 RBA-36 RBA-48 RBA-60



Model RBA-24

Standard Features:

- Heavy-duty, reversible, cast iron grates in 3" (76mm) sections
- Built-in front grease trough
- Large capacity, 1-1/2" (38mm) deep drip pan
- Aluminized steel burners, one every 6" (152mm)
- Cast iron radiants, one every 6" (152mm)
- 15,000 BTU/hr per burner
- Individual burner controls
- Standing pilot for instant lighting
- 3/4" Gas regulator

- 4" (102mm) Legs with adjustable feet
- Exterior finish - stainless steel front and sides

Optional Features:

- Stainless steel stand with intermediate shelf
- 3" (76mm) deep water pan in lieu of 1-1/2" (38mm) deep drip pan, for models RBA-30, -36, -48, and -60; no additional charge
- Casters on stand - swivel type
- Stainless steel splatterguards (with original equipment order)

Specification:

Shall be U.S. Range Regal Broiler w/nonadjustable grate, Model _____ with total BTU/hr rating of _____ when used with natural/propane gas. Finish is to be stainless steel front and sides.



| Model # | Description | Total BTU | SHIPPING INFORMATION | |
|---------|---------------------------|-----------|----------------------|------------|
| | | | Lb/Kg | Cubic Feet |
| RBA-24 | 24" (610mm) Wide Broiler | 60,000 | 226/103 | 18 |
| RBA-30 | 30" (762mm) Wide Broiler | 75,000 | 266/121 | 22 |
| RBA-36 | 36" (914mm) Wide Broiler | 90,000 | 300/136 | 25 |
| RBA-48 | 48" (1219mm) Wide Broiler | 120,000 | 387/176 | 33 |
| RBA-60 | 60" (1524mm) Wide Broiler | 150,000 | 467/212 | 40 |

Garland Commercial Industries, LLC
 185 East South Street
 Freeland, PA 18224
 Phone: (570) 636-1000
 Fax: (570) 636-3903

Garland Commercial Ranges Ltd
 1177 Kamato Road,
 Mississauga, Ontario
 L4W 1X4 CANADA
 Phone: 905-624-0260
 Fax: 905-624-5669

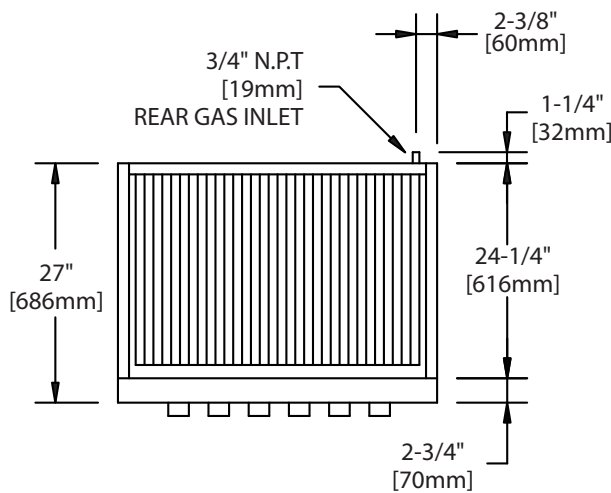


| Model # | Dimensions: In. (mm) | | | No. of Burners | Total BTU* | Gas Broiling Grid: In. (mm) | |
|---------|----------------------|---------|---------|----------------|------------|-----------------------------|-------------|
| | Width | Depth | Height | | | Width | Depth |
| RBA-24 | 24(610) | 27(656) | 13(330) | 4 | 60,000 | 20(508) | 21-1/2(546) |
| RBA-30 | 30(762) | 27(646) | 13(330) | 5 | 75,000 | 26(660) | 21-1/2(546) |
| RBA-36 | 36(914) | 27(646) | 13(330) | 6 | 90,000 | 32(813) | 21-1/2(546) |
| RBA-48 | 48(1219) | 27(646) | 13(330) | 8 | 120,000 | 44(1118) | 21-1/2(546) |
| RBA-60 | 60(1524) | 27(646) | 13(330) | 10 | 150,000 | 56(1422) | 21-1/2(546) |

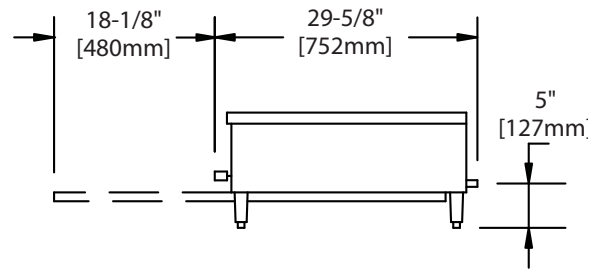
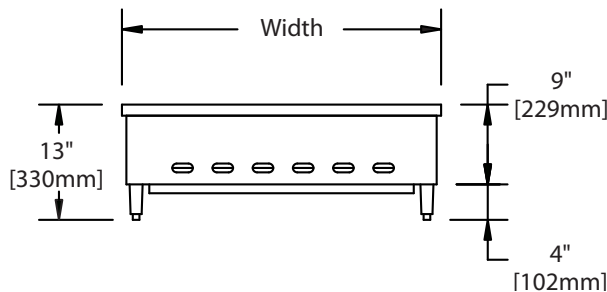
* Natural and Propane Gas Gas Manifold 3/4" NPT on all models

Many local codes exist and it is the responsibility of the owner and installer to comply with those codes.

Garland/U.S. Range products are not approved or authorized for home or residential use, but are intended for commercial applications only. Garland / U.S. Range will not provide service, warranty, maintenance or support of any kind other than in commercial applications.



| Manifold Operating Pressure All Models | | | |
|---|------|---------|------|
| Natural Gas | | Propane | |
| "WC | Mbar | "WC | Mbar |
| 5 | 12.5 | 10 | 25 |



Form# RBA (02/27/09)