



INSTALLATION AND OPERATION MANUAL

“REGAL” SERIES CHEESE MELTERS



FOR YOUR SAFETY:
DO NOT STORE OR USE GASOLINE
OR OTHER FLAMMABLE VAPORS OR
LIQUIDS IN THE VICINITY OF
THIS OR ANY OTHER
APPLIANCE

WARNING:
IMPROPER INSTALLATION, ADJUSTMENT,
ALTERATION, SERVICE OR MAINTENANCE
CAN CAUSE PROPERTY DAMAGE, INJURY,
OR DEATH. READ THE INSTALLATION,
OPERATING AND MAINTENANCE
INSTRUCTIONS THOROUGHLY
BEFORE INSTALLING OR
SERVICING THIS EQUIPMENT

PLEASE READ ALL SECTIONS OF THIS MANUAL
AND RETAIN FOR FUTURE REFERENCE.

THIS PRODUCT HAS BEEN CERTIFIED AS
COMMERCIAL COOKING EQUIPMENT AND
MUST BE INSTALLED BY PROFESSIONAL
PERSONNEL AS SPECIFIED.

IN THE COMMONWEALTH OF MASSACHUSETTS
THIS PRODUCT MUST BE INSTALLED BY A
LICENSED PLUMBER OR GAS FITTER. APPROVAL
NUMBER: G-1-07-05-28

For Your Safety:
Post in a prominent location, instructions to be
followed in the event the user smells gas. This
information shall be obtained by consulting
your local gas supplier.

Users are cautioned that maintenance and repairs must be performed by a Garland authorized service agent using genuine Garland replacement parts. Garland will have no obligation with respect to any product that has been improperly installed, adjusted, operated or not maintained in accordance with national and local codes or installation instructions provided with the product, or any product that has its serial number defaced, obliterated or removed, or which has been modified or repaired using unauthorized parts or by unauthorized service agents.

For a list of authorized service agents, please refer to the Garland web site at <http://www.garland-group.com>.

The information contained herein, (including design and parts specifications), may be superseded and is subject to change without notice.

GARLAND COMMERCIAL RANGES, LTD.
1177 Kamato Road, Mississauga, Ontario L4W 1X4
CANADA
Phone: 905-624-0260
Fax: 905-624-5669

IMPORTANT INFORMATION

WARNING:

This product contains chemicals known to the state of California to cause cancer and/or birth defects or other reproductive harm. Installation and servicing of this product could expose you to airborne particles of glass wool/ceramic fibers. Inhalation of airborne particles of glass wool/ceramic fibers is known to the state of California to cause cancer. Operation of this product could expose you to carbon monoxide if not adjusted properly. Inhalation of carbon monoxide is known to the state of California to cause birth defects or other reproductive harm.

Keep appliance area free and clear of combustibles.

TABLE OF CONTENTS

IMPORTANT INFORMATION.....	2
INTRODUCTION.....	4
Uncrating.....	4
Rating Plate.....	4
DIMENSIONS AND SPECIFICATIONS	5
INSTALLATION	6
Clearances.....	6
Positioning and Setup.....	6
Air Supply and Ventilation.....	6
Gas Supply	6
Statutory Regulations	6
Manual Shut-Off Valve	7
Pressure Regulator.....	7
Rigid Connections	7
Flexible Couplings & Connectors.....	7
Manual Pilot Valve	7
Testing and Adjustments.....	7
INITIAL OPERATION	8
Initial Pilot Light	8
Final Preparation.....	8
CLEANING AND MAINTENANCE.....	8
General Cleaning	8
Periodic	8
Cleaning Stainless Steel	8
SERVICE AND PARTS	9

INTRODUCTION

Garland manufactures the U.S. Range "Regal" Infra Red Cheese Melter in widths ranging from two feet to six feet, designed for either wall mounting or counter installation.

All units are shipped completely assembled. A gas regulator is packed and shipped inside the body of the unit. All units are inspected at the factory prior to shipment.

This product has been certified as commercial cooking equipment and must be installed by professional personnel as specified. THIS APPLIANCE IS NOT RECOMMENDED FOR RESIDENTIAL INSTALLATION.

We suggest installation, maintenance and repairs should be performed by your local Garland/US Range authorized service agency.

Uncrating

After uncrating, immediately check the equipment for visible signs of shipping damage.

If such damage has occurred, do not refuse shipment, but

contact the shipper and file the appropriate freight claims.

Rating Plate

The rating plate is attached to the inner left side of the cheese melter cavity above the wire rack.

When corresponding with the factory or your local authorized factory service center regarding service problems or replacement parts, be sure to refer to the particular unit by the correct model number (including the prefix and suffix letters and numbers) and the warranty serial number. The rating plate affixed to the unit contains this information.

Other information on this plate is the BTU/hr input of the burners manifold pressure in inches water column and whether orifice for natural or propane gas.

WARNING All U.S. Range Cheese Melters must be connected only to the type of gas identified on the rating plate! Installation must be in accordance with ANSI Z83.11 (latest edition) of the American national Standards Institute, Inc.

DIMENSIONS AND SPECIFICATIONS

Model #	Dimensions: In. (mm)			No. of Burners	Total BTU*	Weight Lb/Kg	Cu Ft
	Width (A)	Depth	Height				
IRCMA-24	24(610)	17-5/8(447)	18-3/4(476)	1	20,000	145/66	9
IRCMA-36	36(914)	17-5/8(447)	18-3/4(476)	1	30,000	185/84	13
IRCMA-48	48(1219)	17-5/8(447)	18-3/4(476)	2	40,000	230/105	17
IRCMA-60	60(1524)	17-5/8(447)	18-3/4(476)	2	50,000	265/120	21
IRCMA-72	72(1829)	17-5/8(447)	18-3/4(476)	3	60,000	300/136	25

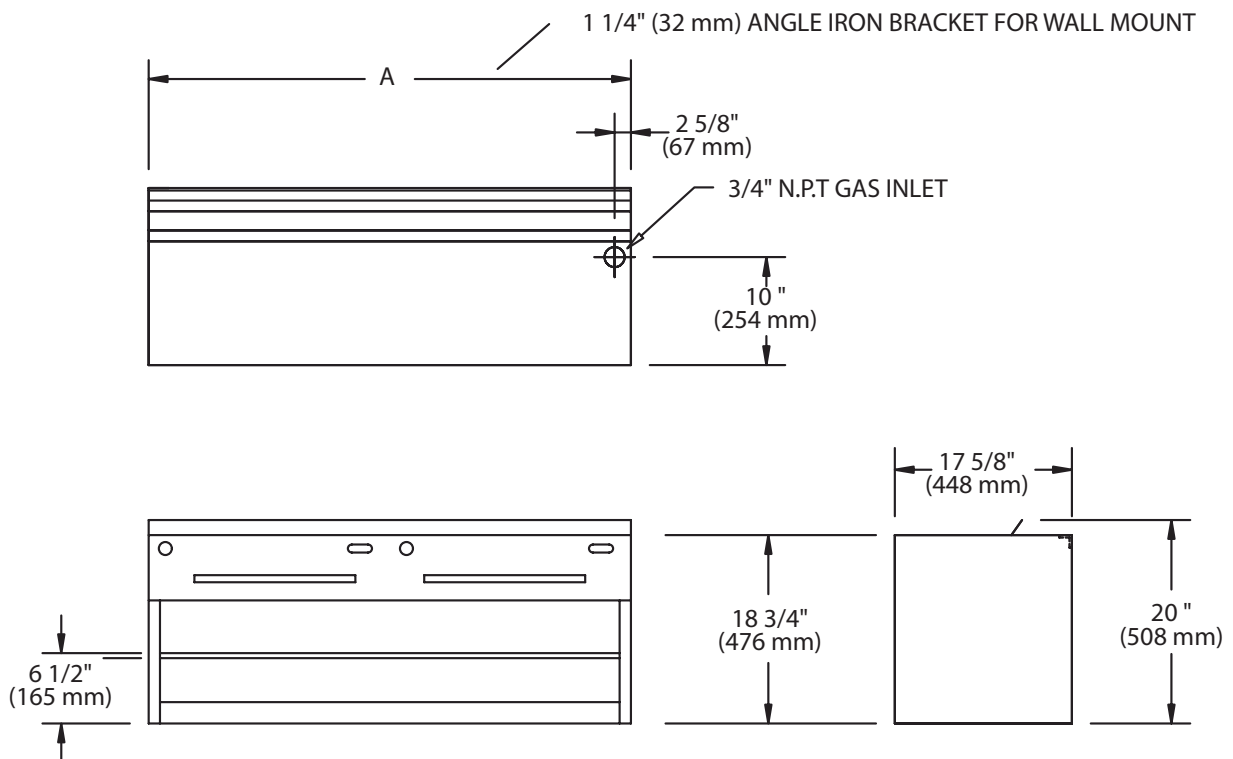
* Natural and Propane Gas

Manifold Operating Pressure All Models			
Natural Gas		Propane	
"WC	Mbar	"WC	Mbar
5	12.5	10	25

Type of Construction Installation Minimum Clearance			
Combustible		Non-Combustible	
Rear	3" (76mm)	Rear	0"
Sides	6" (152mm)	Sides	0"

Counter installations base must be a non-combustible.

Many local codes exist and it is the responsibility of the owner and installer to comply with those codes.



INSTALLATION

Clearances

The appliance area must be kept free and clear of all combustibles.

These units are design-certified for the following installations:

1. Intended for other than household use.
2. For use in non combustible locations only.
3. For use with 4" (minimum) legs.

Type of Construction Minimum Clearance	
Combustible	Non-Combustible
Rear 3" (76mm)	Rear 0"
Sides 6" (152mm)	Sides 0"

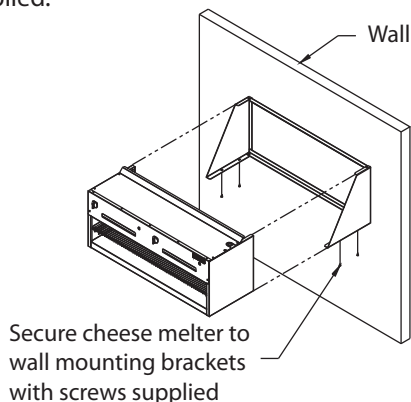
Positioning and Setup

1. Wall Mounting

The U.S. Range infra-red cheese melter may be mounted to a non-combustible wall with an optional wall mounting kit. Local authorities should be contacted to ensure compliance with all local codes.

Note: Ensure the wall is capable of supporting the weight of the cheese melter.

- 1). Position, level and mark the location of the assembled wall mount kit.
- 2). Drill holes in the wall (locating studs if necessary) to accept suitable fastening devices.
- 3). Drill holes in the angle iron bars of the wall mounting kit to match those drilled in the wall.
- 4). Install wall mounting kit to wall.
- 5). Install and secure cheese melter with #10 sheet metal screws supplied.



2. Counter Mounting

The U.S. Range Infrared Cheese Melter may be installed on a counter or as part of a cooking island, but is permissible only on a non-combustible counter surface.

Air Supply and Ventilation

The area around the appliance must be kept clear to avoid any obstruction to the flow of combustion and ventilation air, as well as, for ease of maintenance and service.

Means must be provided for any commercial, heavy-duty cooking appliance to exhaust combustion waste products to the outside of the building. This is doubly important for open grate broilers, since the design promotes grease and fat dripping through onto hot radiants sending smoke back up onto the product as seasoning. This smoke then continues either up to the ceiling or to an exhaust hood. Filters and drip troughs should be part of any industrial hood, but consult local codes before constructing and installing a hood.

Strong exhaust fans in this hood or in the overall air conditioning system can produce a slight vacuum in the room and/or cause air drafts, either of which can interfere with pilot or burner performance and be hard to diagnose. Air movement should be checked during installation; if pilot/burner outage problems persist make-up air openings or baffles may have to be provided in the room.

Gas Supply

1. Installation of the equipment should be made by a licensed plumber.
2. A gas shut-off valve must be installed in the gas supply line ahead of the appliance for safety and for ease of future service.
3. A gas pressure regulator must be installed at the appliance prior to connecting the equipment to the gas line. Failure to install a regulator will void the equipment warranty.

NOTE: The gas supply (service) line must be the same size or greater than the inlet line of the appliance. U.S. Range Cheese Melters use a 3/4" NPT inlet. Sealant on all pipe joints must be resistive to LP gas.

Statutory Regulations

Safe and satisfactory operation of your equipment depends, to a great extent, on its proper installation. Installation must conform to local codes or, in the absence of local codes with the National Fuel code, ANSI Z223.1, Natural Gas Installation Code, CAN/CGA-B149.1, or the Propane Installation Code, CAN/CGA-B149.2, as applicable, including:

INSTALLATION Continued

1. The appliance and its individual shutoff valve must be disconnected from the gas supply piping system during any pressure testing of that system at test pressures in excess of 1/2 psi (3.45 kPa).
2. The appliance must be isolated from the gas supply piping system by closing its individual manual shutoff valve during any pressure testing of the gas supply piping system at test pressures equal to or less than 1/2 psi (3.45 kPa).

Manual Shut-Off Valve

This installer-supplied valve must be installed in the gas service line ahead of the appliance and regulator in the gas stream and in a position where it can be reached quickly in the event of an emergency.

Pressure Regulator

All heavy-duty, commercial cooking equipment must have a pressure regulator in the incoming service line for safe and efficient operation, since service pressure may fluctuate with local demand. The manual shut-off valve is normally supplied by the installer, but pressure regulators are shipped from Garland with every Cheese Melter.

Regulators are pre-set at the factory for 5" W.C. (natural gas) or 10" WC (propane) according to the customer's ordering instructions.

Prior to connecting the regulator, check the incoming line pressure, as these regulators can withstand a maximum pressure of 1/2 psi (14" W.C.). If the Line pressure is beyond this limit, a step-down regulator will be required. Double-check the arrow forged onto the bottom of the regulator body which shows gas flow directions; it should point downstream to the appliance. The red air-vent cap is part of the regulator and should not be removed unless local codes require external venting.

Regulators can be adjusted in the field, but it is recommended that they not be tampered with unless that part is known to be out of adjustment or serious pressure fluctuations are found to exist and can be solved no other way. Any adjustments to regulators must be made by qualified service personnel with proper test equipment.

WARNING Do not connect the regulator inside the unit's body or directly on top of the cheese melter, as temperatures are high enough in these areas to destroy the regulator. Failure to install a pressure regulator will void the equipment warranty!

Rigid Connections

Double-check any installer-supplied intake pipes visually

and clear any dirt particles, threading chips, or other foreign matter before installing in a service line. Those particles will clog orifices when gas pressure is applied.

WARNING All connections must be sealed with a joint compound suitable for LP gas, and all connections must be tested with a soapy solution before lighting any pilots!

Flexible Couplings & Connectors.

If the unit is to be installed with flexible couplings and/or quick-disconnect fittings, for an appliance equipped with casters, the installation shall be made with a connector that complies with the Standard for Connectors for Movable Gas Appliances, ANSI Z21.69 / CSA 6.16, and a quick-disconnect device that complies with the Standard for Quick-Disconnect Devices for Use With Gas Fuel, ANSI Z21.41 / CSA 6.9, and adequate means must be provided to limit the movement of the appliance without depending on the connector and the quick-disconnect device or its associated piping to limit the appliance movement and the location(s) where the restraining means may be attached to the appliance shall be specified.

Further, if the unit is to be installed on a non-combustible surface that is equipped with casters, means must be provided to limit the movement of the unit on this surface.

Manual Pilot Valve

All burners are equipped with constant-burning pilots. These should be manually lighted immediately after the gas is turned on and the system is checked for leaks. An adjustment screw for each pilot is located on the gas manifold and can be accessed through openings in the valve panel between the valve knobs.

Testing and Adjustments

Check all gas connections for leaks using a soapy solution before lighting any pilots. **DO NOT USE OPEN FLAME TO CHECK FOR LEAKS!** Putting open flame beside a new connection is not only dangerous, but will often miss small leaks that a soapy solution would find.

All U.S. Range appliances are adjusted and tested before leaving the factory, effectively matching them to sea level conditions. Adjustments and calibrations to assure proper operation may be necessary on installation to meet local conditions, low gas pressure, differences in altitude; variations in gas characteristics, to correct possible problems caused by rough handling or vibration during shipment, and are to be performed only by qualified service personnel.

These adjustments are the responsibility of the customer, installer and/or dealer and are not covered by the U.S. Range warranty.

INITIAL OPERATION

Initial Pilot Light

Initial pilot light is in the following sequence:

1. Turn the manual shut-off valve on the incoming service line "OFF".
2. Turn all burner valves "OFF".
3. Close all pilot adjusting screws (clockwise turn all the way in).
4. Wait for any accumulated gas to disperse.
5. Open the manual shut-off valve.
6. Apply a lighted match or taper to a pilot burner and open that pilot's adjustment screw gradually until the pilot lights.
7. Adjust the pilot flame for the desired characteristics.
8. Turn "ON" that main burner and watch to make sure it lights from the pilot, then turn the burner "OFF".

9. Repeat steps 6 through 8 to light all remaining pilots.

If only one pilot has gone out, it is not necessary to follow the entire procedure outlined above. Merely apply a lighted match or taper to the pilot until it lights, then adjust the pilot valve. If the pilot will not light, close the adjustment valve completely, do not use that burner, and call for service.

NOTE: It may be necessary to re-light the pilots several times until the new lines are purged of any trapped air and constant gas flow is attained

Final Preparation

New units are wiped clean with solvent at the factory to remove any visible signs of dirt, oil, grease, etc., remaining from the manufacturing process. They should be washed with hot, soapy water to remove any solvent or oil residue or installation dust or debris before using for food preparation.

CLEANING AND MAINTENANCE

WARNING: If gas odors are detected, the gas supply must be turned "OFF" at the main shut-off valve and the local gas company or authorized service agency contacted for service.

General Cleaning

Any piece of equipment works better and lasts longer when maintained properly and kept clean. Cooking equipment is no exception. Your U.S. Range Cheese Melter must be kept clean during the working day and thoroughly cleaned at the end of each day.

Periodic

Your U.S. Range Cheese Melter should be checked and adjusted periodically by qualified service personnel as part of a regular kitchen maintenance program.

Cleaning Stainless Steel

All stainless steel body parts should be wiped regularly with hot, soapy water during the day, and with a liquid cleaner designed for this material at the end of each day. Do not use steel wool, abrasive cloths, cleansers, or powders! If it is necessary to scrape stainless steel to remove encrusted materials, soak the encrusted area with wet cloths to loosen the material, then use a wood or nylon scraper. Do not use a metal knife, spatula, or any other metal tools to scrape stainless steel. Scratches are almost impossible to remove.

SERVICE AND PARTS

Installation, maintenance and repairs should be performed by your local authorized Garland service agency listed in your information manual pamphlet.

 ***U.S. Range***[®]

U.S. Range  TM

PIÈCES ET RÉPARATIONS

L'installation, l'entretien et les réparations doivent être faits par l'agence de service locale autorisée Garland, figurant sur la liste du manuel.

Allumage Initial Des Veilleuses

Procédez à l'allumage des veilleuses dans l'ordre suivant :

1. Fermez le robinet d'arrêt manuel sur la conduite d'alimentation en gaz.

2. Fermez tous les robinets de brûleurs.

3. Fermez toutes les vis de réglage des veilleuses (en les vissant complètement à droite).

4. Attendez que le gaz accumulé se disperse.

5. Ouvrez le robinet d'arrêt manuel.

6. Appliquez une allumette ou une mèche près d'une veilleuse et ouvrez progressivement la vis de réglage de cette veilleuse jusqu'à ce qu'elle s'allume.

7. Réglez la flamme de la veilleuse pour obtenir les caractéristiques souhaitées.

8. Ouvrez le robinet du brûleur principal et vérifiez qu'il s'allume à partir de la veilleuse, puis fermez le robinet.

9. Répétez les étapes 6 à 8 pour les autres veilleuses.

Si une seule veilleuse s'est éteinte, il est nécessaire de suivre toute la procédure indiquée ci-dessus. Appliquez simplement une allumette ou une mèche enflammée près de la veilleuse jusqu'à ce qu'elle s'allume, puis réglez la veilleuse. Si la veilleuse ne s'allume pas, fermez complètement la soupape de réglage, n'utilisez pas ce brûleur et appelez le réparateur.

NOTA : Il peut être nécessaire de réalumer les veilleuses plusieurs fois jusqu'à ce que les nouvelles conduites soient purgées de toute trace d'air et qu'on obtienne une débit de gaz constant.

Préparation Finale

Les appareils neufs sont nettoyés avec du solvant en usine pour éliminer toute trace visible de saleté, d'huile, de graisse, etc., restant du processus de fabrication. Ils devront donc être lavés à l'eau chaude savonneuse pour retirer les résidus d'huile et de solvant ou les débris avant de les utiliser pour la cuisson d'aliments.

NETTOYAGE ET ENTRETIEN

AVERTISSEMENT : Si l'on détecte une odeur de gaz, l'alimentation en gaz doit être coupée au robinet d'arrêt principal et l'on doit contacter la compagnie locale de gaz ou un service de réparation autorisé.

Nettoyage Général

Tout équipement fonctionne mieux et dure plus longtemps s'il est correctement entretenu et maintenu propre. L'équipement de cuisson ne fait pas exception. Votre salamandre à fromage U.S. Range doit être maintenue propre durant la journée de travail et être nettoyée à fond à la fin de chaque jour.

Périodique

Votre salamandre à fromage U.S. Range devra être vérifiée et réglée périodiquement par du personnel d'entretien qualifié dans le cadre d'un programme d'entretien régulier de la cuisine.

Nettoyage De L'acier Inoxydable

Toutes les pièces en acier inoxydable devront être lavées régulièrement avec de l'eau chaude savonneuse pendant la journée et avec un produit de nettoyage liquide spécial à la fin de chaque journée. N'utilisez pas de laine d'acier, de tissus abrasifs ni de poudres de nettoyage! S'il est nécessaire de gratter l'acier inoxydable pour retirer des produits incrustés, trempez le produit incrusté avec un chiffon mouillé pour le décoller et utilisez ensuite un grattoir en bois ou en nylon. N'utilisez pas de couteau ni de spatule en métal ni aucun autre outil métallique pour gratter l'acier inoxydable. Les rayures sont presque impossibles à retirer.

combustible équipée de roulettes, des moyens doivent être prévus pour limiter les déplacements de l'appareil sur cette surface.

Robinet De Veilleuse Manuel

Tous les brûleurs sont équipés de veilleuses à flamme constante. Elles devront être allumées manuellement immédiatement après avoir ouvert le gaz et vérifié si le système comportait des fuites. Une vis de réglage pour chaque veilleuse est située dans le collecteur de gaz et on peut y accéder par les ouvertures dans le panneau des robinets entre les boutons.

Essais Et Réglages

Vérifiez toutes les connexions du gaz pour déceler les fuites en utilisant une solution savonneuse avant d'allumer les veilleuses. N'UTILISEZ PAS DE FLAMME NUE POUR VÉRIFIER LA PRÉSENCE DE FUITES! Le fait de placer une flamme

nue près d'une nouvelle connexion est non seulement dangereux, mais on manquera souvent ainsi de petites fuites que l'eau savonneuse pourrait détecter.

Tous les appareils U.S. Range sont réglés et testés avant de quitter l'usine, pour correspondre au niveau de la mer. Des réglages et étalonnages pour fonctionner correctement peuvent être nécessaires lors de l'installation pour répondre aux conditions locales, à une faible pression du gaz, aux différences d'altitude, aux variations des caractéristiques du gaz, afin de corriger des problèmes causés par des chocs ou des vibrations pendant le transport, et ils doivent être effectués par du personnel d'entretien qualifié.

Ces réglages sont de la responsabilité du client, de l'installateur et/ou du revendeur et ne sont pas couverts par la garantie U.S. Range.

Toute absence de régulateur annulera la garantie de l'équipement

NOTA : La conduite d'alimentation de gaz doit être du même diamètre ou d'un diamètre supérieur à celui de la conduite d'entrée de l'appareil. Les salamandres à fromage US Range utilisent une entrée 3/4 po NPT. Le produit d'étanchéité appliqué sur tous les raccords doit résister au GPL.

Réglementation Légale

Un fonctionnement sécuritaire et satisfaisant de votre équipement dépend, dans une large mesure, d'une installation correcte. L'installation doit être conforme aux codes locaux ou, en l'absence de codes locaux, au National Fuel Code, ANSI Z223.1, Code d'installation des appareils fonctionnant au gaz naturel, CAN/CGA B149.1, ou au propane CAN/CGA-B149.2, se l'on les cas, et en particulier :

1. L'appareil et son robinet d'arrêt individuel doivent être débranchés de l'alimentation en gaz lors de tout essai de pression du système à des pressions dépassant 0,5 lb/po² (3,45 kPa).

1. L'appareil doit être isolé du système d'alimentation en gaz en fermant son robinet d'arrêt individuel lors de tout essai de pression du système à des pressions égales ou inférieures à 0,5 lb/po² (3,45 kPa).

Robinet D'arrêt Manuel

Le robinet fourni par l'installateur doit être monté sur la conduite d'alimentation en gaz avant l'appareil et le régulateur de pression, à un endroit où on peut l'atteindre facilement en cas d'urgence.

Régulateur De Pression

Tout gros équipement de cuisson commercial doit être doté d'un régulateur de pression sur la conduite d'alimentation en gaz pour un fonctionnement sécuritaire et efficace, étant donné que la pression d'alimentation peut varier en fonction de la demande. Le robinet d'isolement manuel est normalement fourni par l'installateur, mais des régulateurs de pression sont embarqués de la Garland avec du fromage Melter.

Les régulateurs sont réglés en usine pour 5 po C.E. (gaz naturel) ou 10 po C.E. (propane) en fonction de la commande du client.

Avant de brancher le régulateur, vérifiez la pression d'arrivée du gaz, étant donné que ces régulateurs peuvent résister à une pression maximale de 0,5 lb/po² (14 po C.E.). Si la

pression de la conduite est supérieure à cette limite, un régulateur abaisseur de pression sera nécessaire. Vérifiez bien la flèche forgée sur le corps du régulateur qui montre le sens du débit du gaz, elle devra être orientée vers l'appareil. Le bouchon d'évent d'air rouge fait partie du régulateur et ne devra pas être retiré à moins que les codes locaux exigent une mise à l'air libre extérieure.

Les régulateurs peuvent être ajustés sur place, mais il est recommandé de ne pas les modifier à moins que l'on sache que le régulateur est réglé ou qu'il existe d'importantes fluctuations de pression et que le problème ne puisse pas être résolu d'une autre façon. Tout réglage du régulateur doit être effectué par du personnel d'entretien qualifié avec l'équipement d'essai approprié.

AVERTISSEMENT : Ne branchez pas le régulateur à l'intérieur de l'appareil ou directement au-dessus de la plaque chauffante étant donné que les températures sont suffisamment élevées dans ces endroits pour détruire le régulateur. Toute absence de régulateur annulera la garantie de l'équipement!

Connexions Rigides

Vérifiez bien visuellement les tuyaux d'alimentation fournis par l'installateur et nettoyez toutes les particules de saleté, copeaux de filage et autres matières étrangères avant d'installer une conduite d'alimentation. Ces particules boucheront les orifices une fois la pression de gaz appliquée.

AVERTISSEMENT : Toutes les connexions doivent être étanchéifiées avec un composé à joint convenable pour le GPL et toutes les connexions doivent être testées à l'eau savonneuse avant d'allumer les veilleuses!

Raccords Et Connecteurs Souples

Si l'appareil doit être installé avec des raccords souples ou des dispositifs de débranchement rapide, ou un appareil équipé de roulettes, l'installation sera faite avec un connecteur conformément à la norme pour connecteurs pour appareils mobiles, ANSI Z21.69 / CSA 6.16, et un dispositif de débranchement rapide conforme à la norme pour les Dispositifs à débranchement rapide pour le gaz, ANSI Z21.41 / CSA 6.9, et un dispositif sera prévu pour limiter le déplacement de l'appareil sans utiliser le connecteur et le dispositif de débranchement rapide ou sa tuyauterie connexe pour limiter les déplacements de l'appareil et les emplacements où les moyens de retenue peuvent être fixés à l'appareils seront spécifiés.

De plus, si l'appareil doit être installé sur une surface non

1. L'installation de l'équipement devra être effectuée par un plombier licencié.
2. Un robinet d'arrêt du gaz doit être installé sur la conduite d'alimentation avant l'appareil pour la sécurité et pour faciliter l'entretien.
3. Un régulateur de pression du gaz doit être installé sur l'appareil avant de le brancher sur la conduite de gaz.

Alimentation En Gaz

Des ventilateurs d'extraction puissants dans la hotte ou dans le système d'air conditionné peuvent causer un léger vide dans la pièce et/ou des courants d'air, qui peuvent interférer avec les performances des brûleurs ou des veilleuses et être difficiles à diagnostiquer. Tout mouvement d'air devra être vérifié lors de l'installation. Si les problèmes de veilleuses/brûleurs persistent, il est possible que l'on doive prévoir des ouvertures ou déflecteurs d'air dans la pièce.

Pour tout appareil de cuisson commercial, il est nécessaire d'évacuer les produits de cuisson à l'extérieur du bâtiment. Ceci est doublement important pour les rôtissoires à grill ouvert, étant donné que la conception cause l'écoulement de graisse sur des éléments chauffants, ce qui entraîne la formation de fumée qui passe sur les aliments et leur donne un goût particulier. Cette fumée continue ensuite vers le plafond ou un hotte aspirante. Toute hotte industrielle devrait être dotée de filtres et d'orifice d'écoulement, mais vous devez consulter les codes locaux avant de construire une hotte.

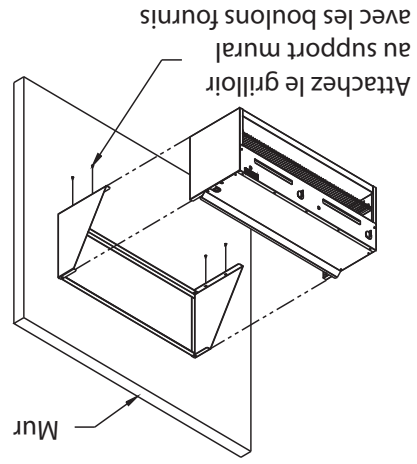
Alimentation En Air Et Ventilation

La zone autour de l'appareil doit être dégagée pour éviter toute obstruction du flux d'air de combustion et de ventilation, ainsi que pour faciliter l'entretien et les réparations.

La salamandre à fromage à infrarouge de série « Regal » U.S. Range peut être installée sur un comptoir ou sur un îlot de cuisson, mais la surface du comptoir doit être faite en matériaux non combustibles.

2. Installation Sur Un Comptoir

3. Les trous de forêt dans les barres de fer d'angle du kit de support de mur pour ressortir ceux ont forêt dedans le mur.
4. Installez le kit de support de mur pour mur.
5. Installez et fixez le mètre de fromage avec des vis de tôle #10 fournies.



1. Placez, de niveau et marquez l'endroit du kit assemblé de bâti de mur.
 2. Trous de forêt dans le mur (localisant des goujons au besoin) pour accepter les dispositifs appropriés d'attache.
- Note : Assurez que le mur est capable de soutenir le poids du mètre de fromage.

Le mètre infrarouge de fromage de gamme des États-Unis peut être monté à un mur non-combustible avec un kit facilitatif de support de mur. Des autorités locales devraient être entrées en contact pour assurer la conformité à tous les codes locaux.

1. Support de mur Positionnement Et Installation

Type De Construction		Dégagement Minimum	
Combustible	Non-Combustible	Arrière 3 Po (76mm)	Côtés 0 Po
		Arrière 0 Po	Côtés 6 Po (152mm)

1. Pour une utilisation autre que ménagère.
2. Pour une utilisation dans des emplacements non combustibles uniquement.
3. Pour une utilisation avec des pieds de 4 po (minimum).

Ces appareils sont homologués par conception pour les installations suivantes :

L'appareil doit être tenu à l'écart de tous les produits combustibles.

Dégagements

DIMENSIONS ET CARACTÉRISTIQUES

Modèle #	Dimensions: Dans. (millimètre)			Numéro des brûleurs	BTU* total	Poids Lb/Kg	P ₃
	Largeur (a)	Profondeur	Taille				
IRCM-A-24	24(610)	17-5/8(447)	18-3/4(476)	1	20,000	145/66	9
IRCM-A-36	36(914)	17-5/8(447)	18-3/4(476)	1	30,000	185/84	13
IRCM-A-48	48(1219)	17-5/8(447)	18-3/4(476)	2	40,000	230/105	17
IRCM-A-60	60(1524)	17-5/8(447)	18-3/4(476)	2	50,000	265/120	21
IRCM-A-72	72(1829)	17-5/8(447)	18-3/4(476)	3	60,000	300/136	25

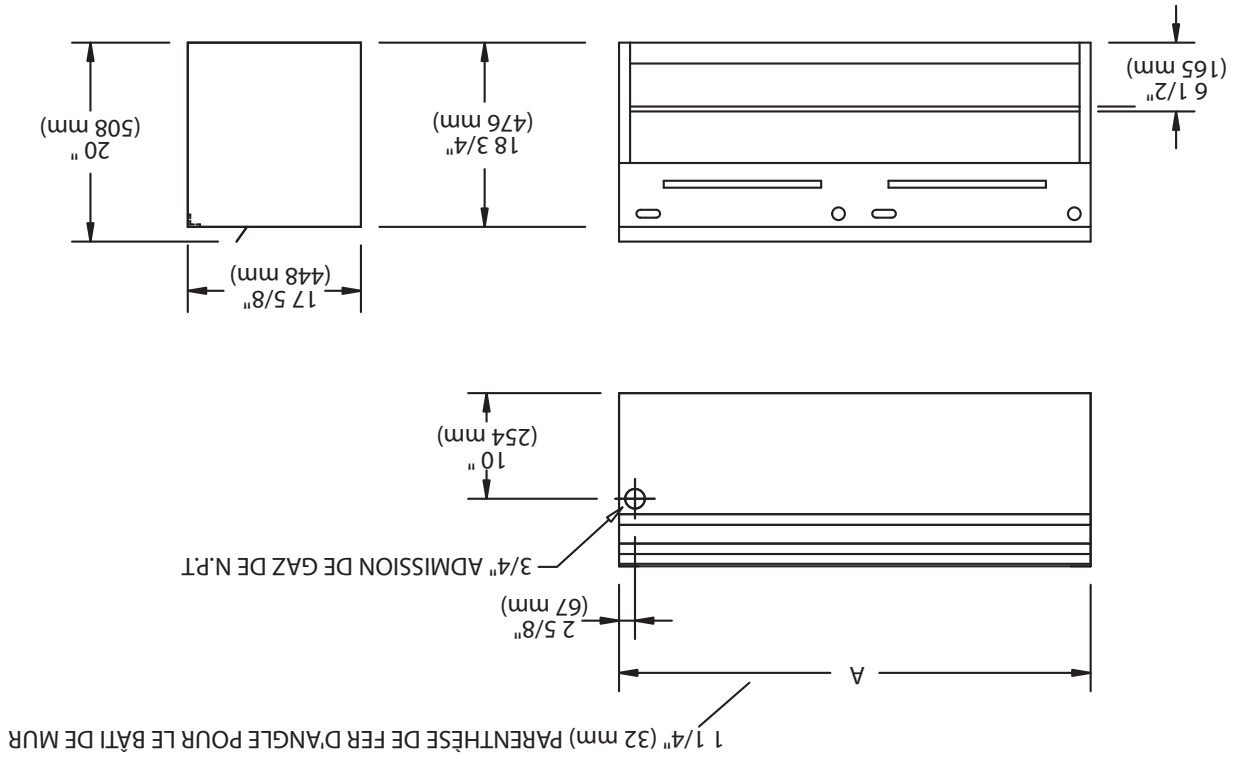
* Gaz naturel et de propane

Pression de fonctionnement diverse tous les modèles			
Gaz naturel		Propane	
"WC Mbar	5	"WC Mbar	12.5
	10		25

Type de dégagement minimum d'installation de construction			
Combustible		Non-Combustible	
Arrière	3" (76mm)	Arrière	0"
Côtés	6" (152mm)	Côtés	0"

La contre-base d'installations doit être une non-combustible.

Beaucoup de codes locaux existent et il est de la responsabilité du propriétaire et de l'installateur de se conformer à ces codes.



En cas de dommages, ne pas refuser l'expédition mais contacter le transporteur et déposer une réclamation.

Plaque Signalétique

La plaque de contrôle est attachée à l'aile gauche intérieure de la cavité de cheesemelter au-dessus de la grille.

Pour correspondre avec l'usine ou le centre de service agréé local concernant des problèmes de service ou des pièces de rechange, bien faire référence à l'appareil avec le numéro de modèle correct (comprenant les lettres et chiffres du préfixe et du suffixe) et le numéro de série de garantie. La plaque signalétique fixée à l'appareil contient ces informations.

L'autre information de ce plat est l'entrée de BTU/hr des brûleurs, pression de gaz diverse en colonne d'eau de pouces.

AVERTISSEMENT : Toutes les salamandre à fromage U.S. Range doivent être connectées seulement au type de gaz indiqué sur la plaque signalétique! L'installation doit se conformer à la norme ANSI Z83.11 (dernière édition) de l'American National Standards Institute, Inc.

Garland fabrique la salamandre à fromage à infrarouge de série U.S. Range « Regal » dans des largeurs allant de 2 à 6 pi, pour un mural ou une installation sur comptoir.

Toutes les unités sont embarquées se sont complètement réunies. Un régulateur de gaz est emballé et embarqué à l'intérieur du corps de l'unité. Toutes les unités sont inspectées à l'usine avant l'expédition.

Ce produit a été certifié en tant qu'équipement à cuire commercial et doit être installé par les personnels de carrière comme spécifique. CET APPAREIL N'EST PAS RECOMMANDÉ POUR L'INSTALLATION RÉSIDENIELLE.

Nous proposons que l'installation, l'entretien et les réparations devraient être exécutés par votre agence de service autorisée par gamme locale de Garland/U.S.

Déballage

Après le déballage, vérifier immédiatement l'équipement pour déceler les signes de dommages causés par le transport.

TABLE DES MATIÈRES

2	INFORMATIONS IMPORTANTES
4	INTRODUCTION
4	Déballage
4	Plaque Signalétique
5	DIMENSIONS ET CARACTÉRISTIQUES
6	INSTALLATION
6	Dégagements
6	Positionnement Et Installation
6	Allimentation En Air Et Ventilation
6	Allimentation En Gaz
7	Réglementation Légale
7	Robinet D'arrêt Manuel
7	Régulateur De Pression
7	Connexions Rigides
7	Raccords Et Connecteurs Souples
8	Robinet De Veilleuse Manuel
8	Essais Et Réglages
9	UTILISATION INITIALE
9	Allumage Initial Des Veilleuses
9	Préparation Finale
9	NETTOYAGE ET ENTRETIEN
9	Nettoyage Général
9	Périodique
9	Nettoyage De L'acier Inoxydable
10	PIÈCES ET RÉPARATIONS

Maintenir les abords de l'appareil dégagés et ne pas y stocker de produits combustibles

AVERTISSEMENT

Ce produit contient des produits chimiques reconnus par l'état de Californie comme causant le cancer et/ou des malformations congénitales ou d'autres problèmes de reproduction. L'installation et l'entretien de ce produit peut vous exposer aux poussières de laine de verre/fibres céramiques. L'inhalation de ces particules de laine de verre ou de fibres céramiques est reconnue par l'état de Californie comme causant le cancer. L'utilisation de ce produit peut vous exposer au monoxyde de carbone en cas de mauvais réglage. L'inhalation de monoxyde de carbone est reconnue par l'état de Californie comme pouvant causer des malformations congénitales ou d'autres problèmes reproductifs.

MANUEL D'UTILISATION ET D'INSTALLATION SALAMANDRES À FROMAGE SÉRIE « REGAL »



<p>NE PAS STOCKER NI UTILISER D'ESSENCE OU D'AUTRES VAPEURS OU LIQUIDES INFLAMMABLES À PROXIMITÉ DE CET APPAREIL OU DE TOUT AUTRE APPAREIL</p>	<p>AVERTISSEMENT UNE INSTALLATION, DES RÉGLAGES, DES MODIFICATIONS, DES RÉPARATIONS OU UN ENTRETIEN MAL FAITS PEUVENT CAUSER DES DOMMAGES MATÉRIELS, DES BLES- SURES OU LA MORT. LIRE SOIGNEUSE- MENT LES INSTRUCTIONS D'INSTALLATION, D'UTILISATION ET D'ENTRETIEN AVANT D'INSTALLER OU DE RÉPARER L'ÉQUIPEMENT.</p>
---	--



LIRE TOUTES LES SECTIONS DU PRÉSENT
MANUEL ET LE CONSERVER POUR S'Y REPORTER
ULTÉRIEUREMENT.

CE PRODUIT A ÉTÉ HOMOLOGUÉ EN TANT
QU'ÉQUIPEMENT PROFESSIONNEL DE CUISSON
ET DOIT ÊTRE INSTALLÉ PAR DU PERSONNEL
PROFESSIONNEL TEL QUE SPÉCIFIÉ.

DANS L'ÉTAT DU MASSACHUSETTS, CE PRODUIT
DOIT ÊTRE INSTALLÉ PAR UN PLOMBIER OU UN
MONTEUR D'INSTALLATION AU GAZ. NUMÉRO
D'AUTORISATION : G-1-07-05-28

Pour votre sécurité
Placer dans un endroit bien en vue les
instructions à suivre en cas d'odeur de gaz
détectée par l'utilisateur. Cette information peut
être obtenue auprès du fournisseur de gaz local.

L'attention des utilisateurs est attirée sur le fait que l'entretien et les réparations doivent être effectués par un agent d'entretien autorisé par Garland utilisant des pièces de rechange d'origine Garland. Garland n'aura aucune obligation en ce qui concerne n'importe quel produit mal installé, réglé, utilisé ou qui n'aurait pas été entretenu conformément aux codes nationaux et locaux ou aux instructions d'installation fournies avec le produit ou n'importe quel produit dont le numéro de série aurait été mutilé, oblitéré ou supprimé ou qui aurait été modifié ou réparé avec des pièces non autorisées ou par des agents d'entretien non autorisés. Pour obtenir la liste des agents de service autorisés, consulter le site web de Garland à : <http://www.garland-group.com>. Les renseignements contenus dans le présent document (y compris la conception et les spécifications des pièces) peuvent être remplacés ou modifiés sans préavis.