



## **Summit Electric Convection Ovens**

*models* **SUME-100, SUME-200**

# **PARTS LIST**

Phone (US & Canada): 1 800 427 6668

Fax (US & Canada): 1 800 361 7745

[www.Garland-Group.com](http://www.Garland-Group.com)

# **Quality Factory Replacement Parts for the World's Finest Foodservice Equipment Solutions**

This parts list is updated regularly. Please find the most current revision  
on our website @ [www.Garland-Group.com](http://www.Garland-Group.com)



# Summit Electric Convection Ovens

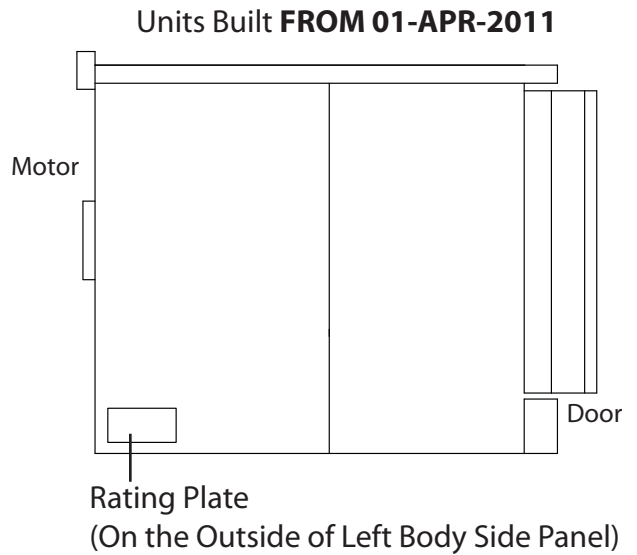
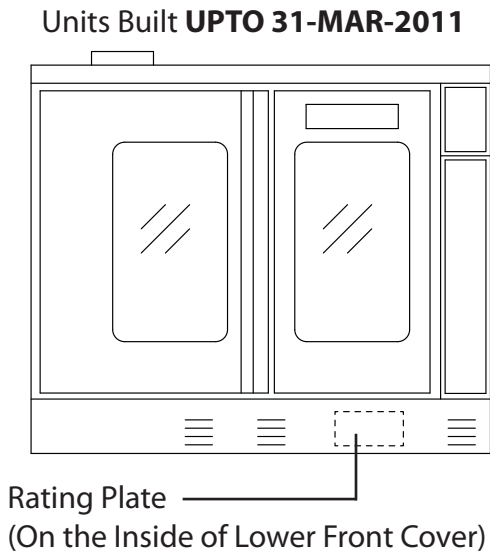
*models* **SUME-100, SUME-200**

## Table of Contents

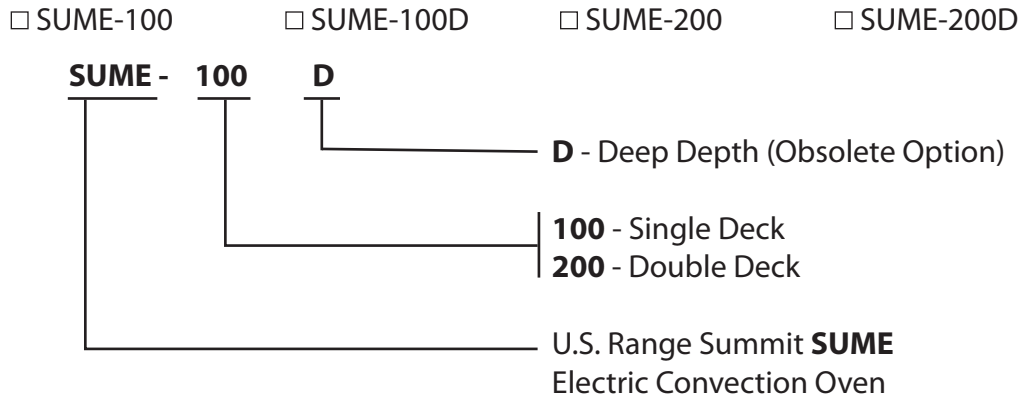
Rating Plate Location / Model & Serial# Interpretation .....	5
Main Exterior Components.....	6
Oven Components.....	8
Summit 20 Manual Control Panel & Components .....	10
Door Components & Assemblies (for units manufactured UP TO 14-April-2005).....	12
Door Components & Assemblies (for units manufactured FROM 14-April-2005).....	16
List of Wiring Diagrams & Available Kits.....	20
Related Bulletins.....	21
Revision History .....	21

**BLANK PAGE**

# Rating Plate Location

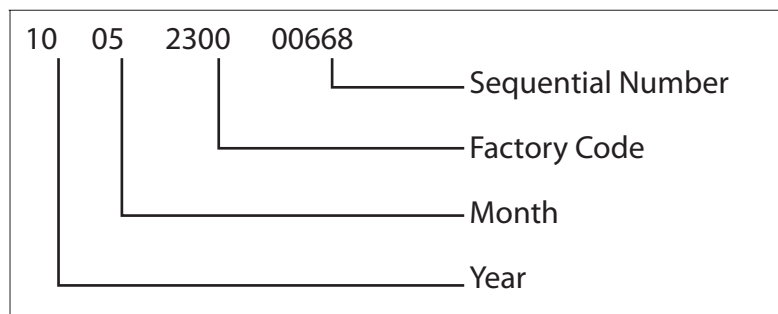


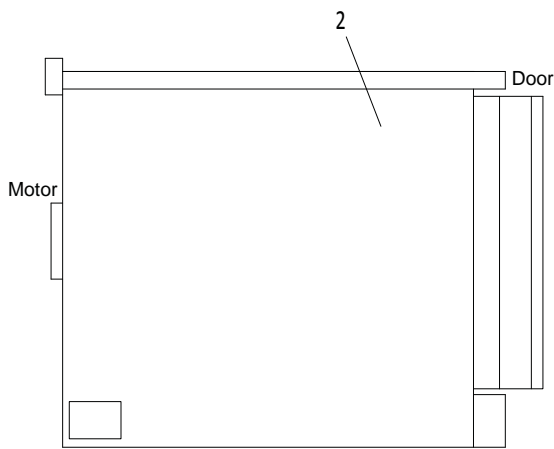
# Model Number Interpretation



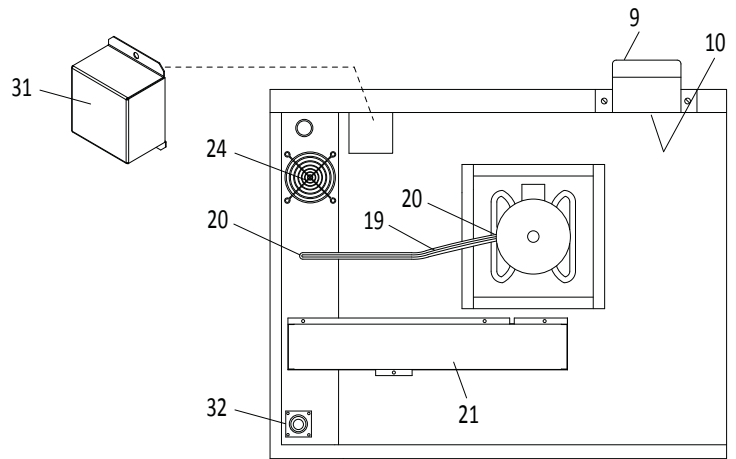
# Serial# (Year/Month Information)

The Serial Number is **13 Digits** long and is stamped on the Rating Plate.

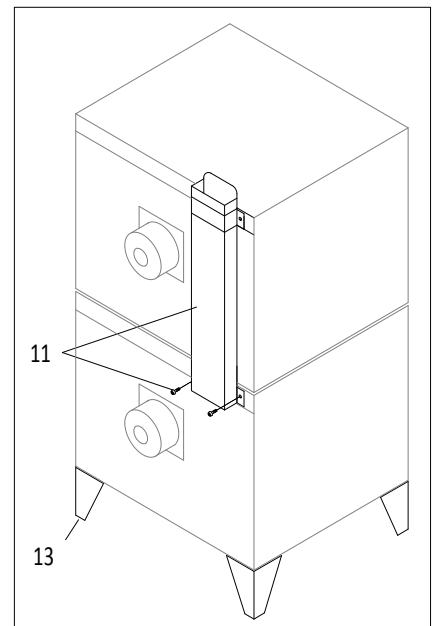
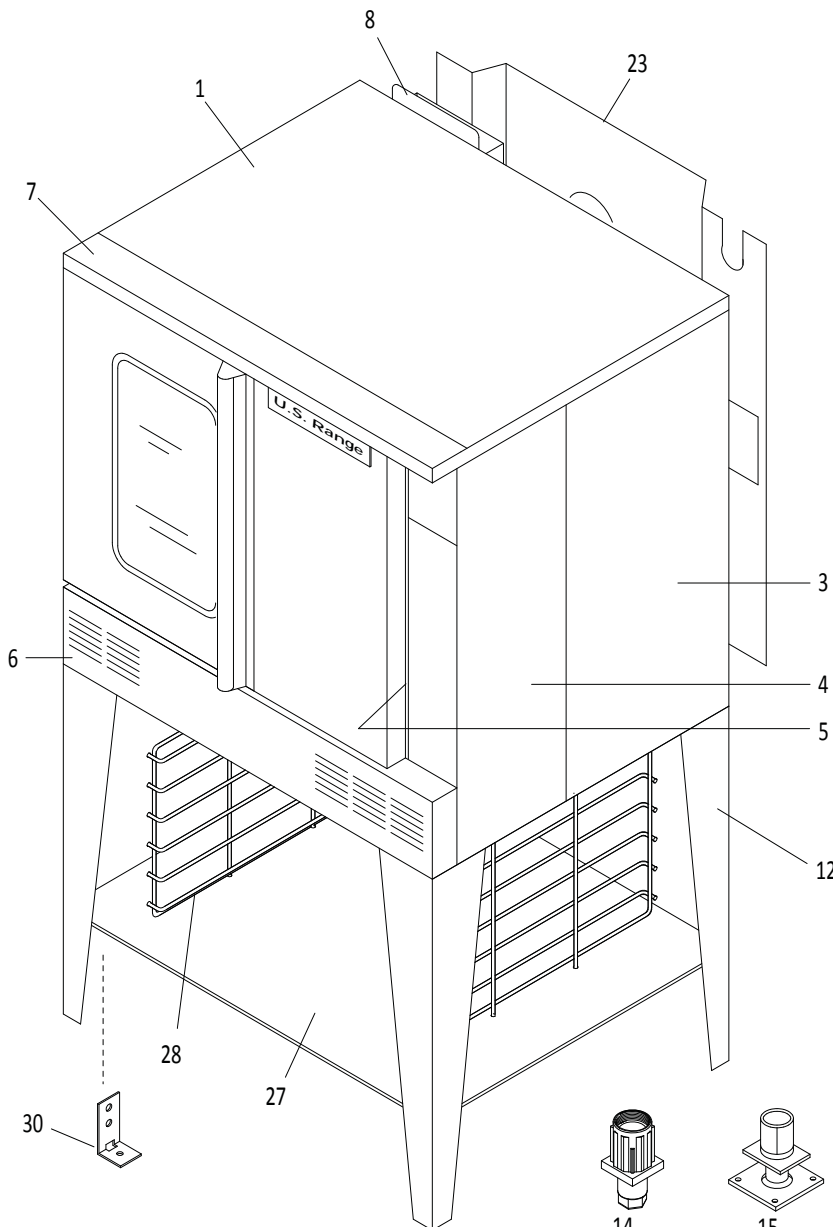




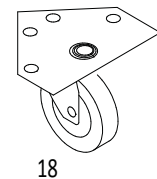
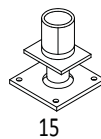
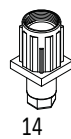
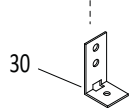
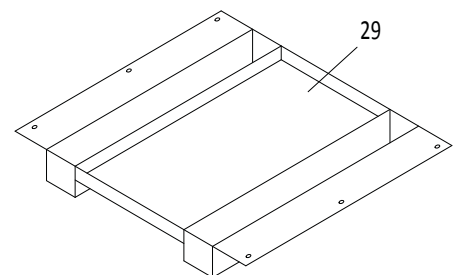
LEFT SIDE VIEW



REAR VIEW



DOUBLE DECK with FLUE ASSEMBLY and LEGS



**U.S. RANGE PARTS IDENTIFICATION**  
**Summit Series Electric Convection Ovens**  
*models SUME-100/200*

**MAIN EXTERIOR COMPONENTS**

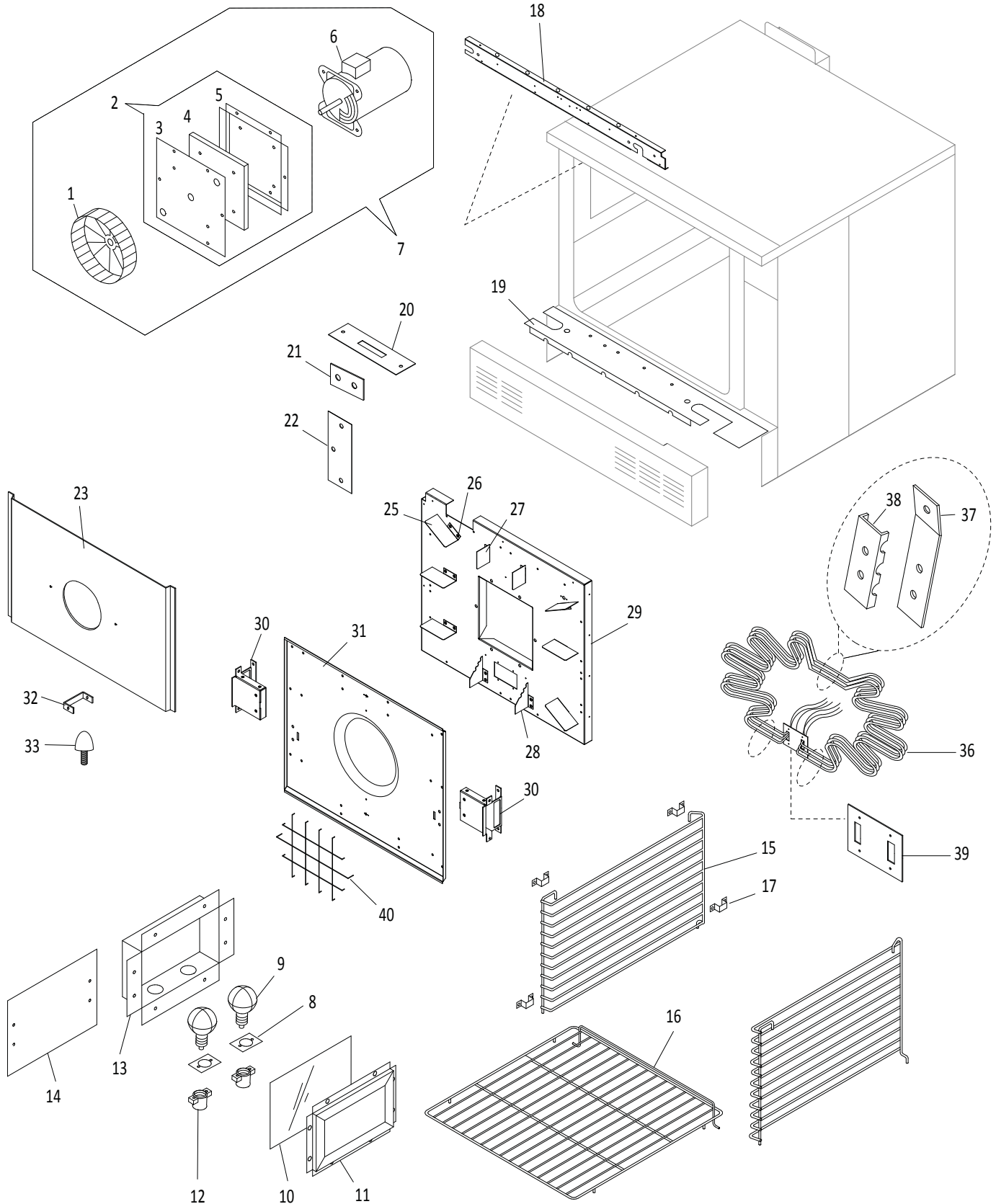
ITEM	PART #	DESCRIPTION	QTY	CRITICAL
1	1917602	Cover - Main Top, SS <b>Note:</b> Use 1917602 to replace 1917601 (Cover, Top, GG, Painted, w/ Trim)	1	
2	1920201	Cover - Body Side, Left, SS	1	
3	1918701	Cover - Body Side, Right, SS	1	
4	1925901	Cover - Control Panel, Right, SS	1	
5	1925801	Cover - Control Panel, Left, SS	1	
6	CK4519724	Cover - Lower Front Trim, SS	1	
6A*	8003107	#10-24 x 3/4" Machine Screw-Th-Phl (for Lower Front Trim Cover)		
7	1925301	Cover - Upper Front Trim, SS	1	
7A*	8002107	#10 x 1/2" Machine Screw-Th-Phl-B Stl 2P (for Upper Front Trim Cover)		
9 <sup>++</sup>	1919999	Vent Assembly - Outer (Standard or Deep)	1	
10 <sup>++</sup>	1919399	Vent Assembly - Standard	1	
	1919398	Vent Assembly - Deep (Used UP TO June/2012)	1	
11	CK1920099	Flue Assembly for Double Deck <b>Note:</b> Kit includes sheet metal flue channels (part# 1920001, 1920002) and fasteners (8002106).	1	
12	1927199	Leg - Single Deck, SS, for Casters, approx. 19-3/4"	4	
	CK1927197	Leg - Single Deck, SS, for Foot Inserts, 24" <b>Note:</b> Use CK1927197 to replace 1927196 (Painted Legs).	4	
13	1927195	Leg - Double Deck, SS	4	
14	1236100	1-1/2" Square Foot Insert - Chrome Plated	4	
15	1949701	Flanged Foot Insert ( <b>Optional Feature</b> )	4	
16	1775102	Caster Insert (Single Deck Only)	4	
17	1926501	Caster - 4" Swivel without Brake, 3/4 NPT	4	
	1926502	Caster - 4" Swivel with Brake, 3/4 NPT	4	
18	1926531	Heavy Duty Caster - 5" Swivel without Brake, for Double Deck	4	
	1926532	Heavy Duty Caster - 5" Swivel with Brake, for Double Deck	4	
	4524736	Kit - Casters 3" Swivel without Brake (low profile) <b>Note:</b> Kit Includes Two Casters	1	
	4524737	Kit - Casters 3" Swivel with Brake (low profile) <b>Note:</b> Kit Includes Two Casters	1	
19	1029426	3/8 BX Cable 26" Long	1	
20	1028501	BX Connector - Straight	2	
21	1927899	Cover - Element Wire Raceway	1	
23 <sup>++</sup>	1921001	Cover - Main Back, Std SS	1	
	1921003	Cover - Main Back, Deep SS (Used UP TO June/2012)	1	
24	1919001	Cooling Fan Guard - 120mm	1	
27	1926902	Panel - Open Base, SS	1	
28	1926702	Rack Guide - Lower, Open Base	2	
29	1926802	Support - Rack Guide, Upper	1	
30	1927001	Clip - Lower Rack Guide Support	4	
31	1916301	Probe Connector Cover	1	
32	G1053-3-8	Knockout Plate with Holes	1	

\* NOT ILLUSTRATED

**RECOMMENDED STOCK PARTS**

<sup>++</sup> Deep Depth Option for SUME - Obsolete, June/2012

**OVEN COMPONENTS**





**U.S. RANGE PARTS IDENTIFICATION**  
**Summit Series Electric Convection Ovens**  
*models SUME-100/200*

**OVEN COMPONENTS**

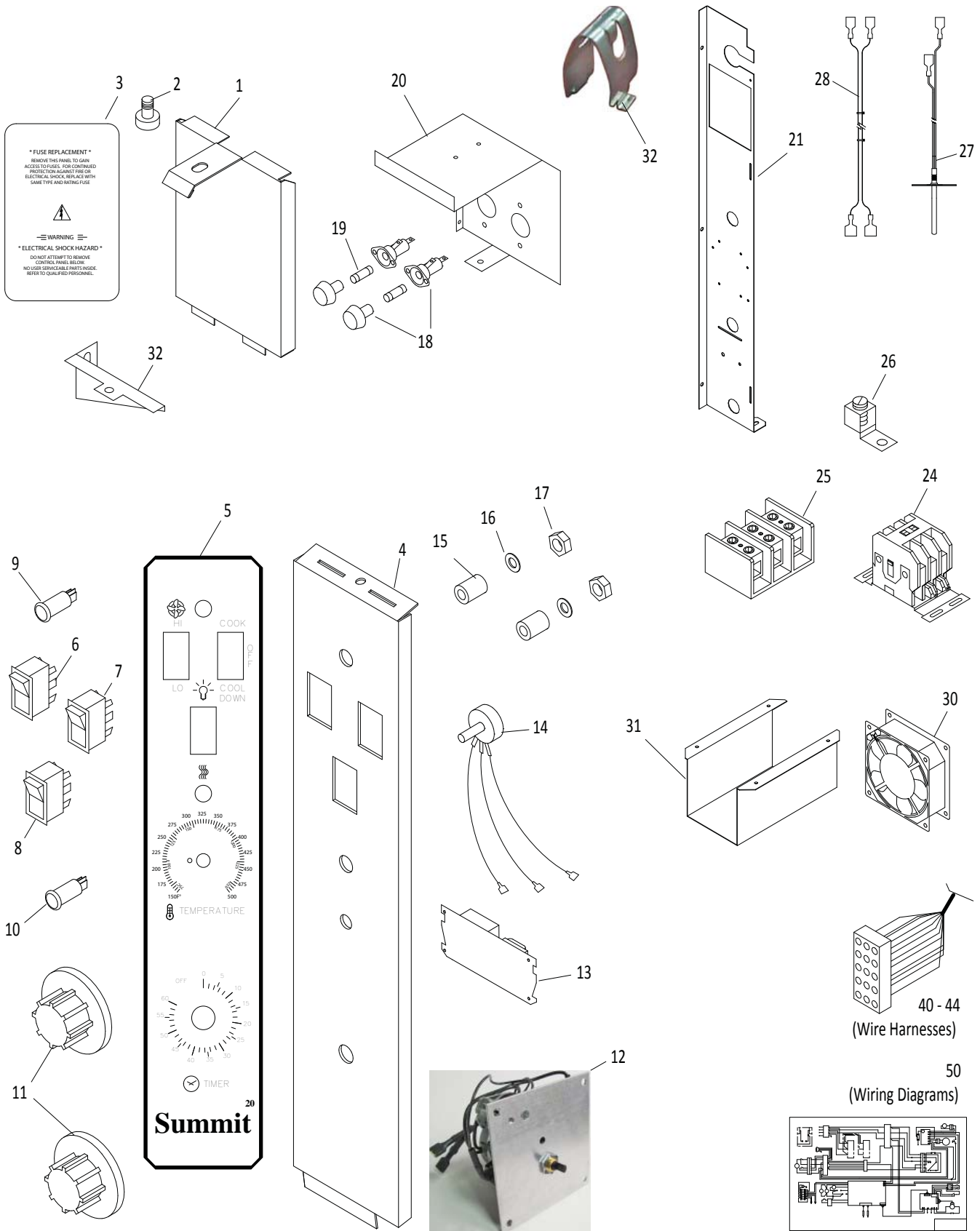
ITEM	PART #	DESCRIPTION	QTY	USED FROM	USED UP TO	CRITICAL
1	G02952-01P	Blower Wheel Assembly Plated	1			
2	CK1916499	Motor Pocket Assembly	1			
3	1916401	Plate, Motor Pocket Front	1			
4	1915921	Insulation - Motor Pocket	1			
5	1916402	Motor Pocket Back	1			
6	1686712	Motor 3/4 HP, 208/240V, 2 Speed	1			
	1686711	Motor 3/4 HP, 115V, 2 Speed	1			
7	<b>CK1003091</b>	<b>Motor Assembly - 2 Speed - 208/240 V</b>	1			C
	<b>CK1003092</b>	<b>Motor Assembly - 1/2HP, 1 Speed - 115/230</b>	1			C
8	1025900	Light Socket Gasket	2			
9	<b>1623900</b>	<b>Light Bulb - 40W</b>	2			
10	1676901	Glass, High Temp	1			
11	1921801	Cover, Light Box	1			
12	1025800	Lamp Socket - Porcelain	2			
13	1921902	Light Box	1			
14	1928299	Plate, Light Box Patch - Porcelain (no oven light option)	1			
15 <sup>++</sup>	1922001	Oven Rack Guide - 10 Positions, Standard	2			
	1922002	Oven Rack Guide - 10 Positions, Deep	2		JUN/2012	
16 <sup>++</sup>	1922211	Oven Rack - Standard (was 1922201)	5	7-OCT/02		
	1922212	Oven Rack - Deep	5		JUN/2012	
17	1765212	Oven Rack Clip	8			
18	1925201	Channel - Upper Hinge	1			
19	1925202	Channel - Lower Hinge	1			
20	4527190	Oven Vent Cap - Electric	1			
21	1843301	Probe Patch (for SS Interior Option)	1			
22	1809301	Inlet Patch	2			
23	1901602	Baffle (MCO)	1	NLA	NLA	
25	4527186	Air Diverter - 4.75"	6			
26	8002106	#10 x 1/2", SMSCP, TH PHIL-A, STL 2P	20			
27	4527187	Air Diverter - 3"	2			
28	4527188	Air Diverter - Bottom	2			
29	4527185	Cavity Back Panel (Porcelain)	1			
	4527276	Cavity Back Panel (SS)	1			
30	4527194	Fan Cover Mounting Assembly	2			
31	4527191	Fan Cover Back	1			
32	1925006	Baffle Mounting Bracket	2	NLA	NLA	
33	8005000	1/4 Turn Pin	2			
34*	8005100	1/4 Turn Fastener Receptable	4			
36	<b>4518354</b>	<b>Complete Element Assembly - 10 kW 208V</b>	1			C
	<b>4518356</b>	<b>Complete Element Assembly - 10 kW 240V</b>	1			C
	<b>4518357</b>	<b>Complete Element Assembly - 10 kW 460V</b>	1			C
<b>Note:</b> A Complete Element Assembly includes heating elements, mounting brackets (item 37A, 38B), and wire leads.						
37	1547201	Element Support, S/S (was 1547200)	3		6-SEP/00	
38A	1925007	Bracket - Element Mounting	3	6-SEP/00		
38B	1547600	Element Clamp	3	6-SEP/00		
39	1928205	Plate - Element Opening	1			
40	G02904-01P	Blower Inlet Cover	1			
41* <sup>++</sup>	113361	Convection Oven Insulation Kit - Standard	1			
	113364	Convection Oven Insulation Kit - Deep Size	1		JUN/2012	

\* NOT ILLUSTRATED

**RECOMMENDED STOCK PARTS**

<sup>++</sup> Deep Depth Option for SUME - Obsolete, June/2012

## SUMMIT 20 MANUAL CONTROL PANEL & COMPONENTS



**U.S. RANGE PARTS IDENTIFICATION**  
**Summit Series Electric Convection Ovens**  
*models SUME-100/200*

**SUMMIT 20 MANUAL CONTROL PANEL & COMPONENTS**

ITEM	PART #	DESCRIPTION	QTY	DATE		CRITICAL
				FROM	UP TO	
1	1918501	Cover - Upper Control Panel, SS	1			
2	GF297	#10-24 x 1/2" Slotted Thumb Screw / Knurled Screw	1			
3	1835906	Overlay - Top Control Pane, Electric	1			
4	CK1946690	Control Panel Mechanical	1			
5	1908527	Overlay - Manual Control, Summit 20 Series	1			
6	1955402	Rocker Switch - 2 Positions, Hi/Low	1			
7	1955401	Rocker Switch - 3 Positions, Cook/Off/CoolDown	1			C
8	1955403	Momentary Rocker Switch	1			
9	G01296-3	Pilot Lamp, 250V, Neon, Round	1		14-MAR/03	
	1936102	Indicator Lamp, 250V, Green	1	14-MAR/03		
10	1006498	Amber Pilot Light	1		14-MAR/03	
	1936104	Indicator Lamp - Amber 28V	1	14-MAR/03		
11	1765802	Fluted Knob with two Set Screws	2			
12	1956002	Timer - 1 Hour, with Alarm, 50/60Hz, 240V	1			C
13	300867	Power Control Board(Thermostat, Solid State) 150-500 degF <b>Note:</b> Related Bulletin GAR-03-12-AIC. Ref: 1955501.	1			C
14	1955601	Potentiometer	1			C
15	1955701	Nylon Standoff - 1/4 x 1/2 x 1	2			
16	1955801	Teflon Washer - 7/16 OD	2			
17	8001502	Nut with Lockwasher - 6-32 KEP, Zinc	2			
18	1130102	Fuse Holder	2			
	1130100	Fuse Holder ( <b>460V ONLY</b> )	2			
19	<b>1130103</b>	<b>Fuse - 20A 208/240V</b>	2			C
	<b>1130109</b>	<b>Fuse - 15A 600V Class CC</b>	2			C
20	1918989	Bracket - Fuse Mount	1			
21	1926001	Panel - Right Side, Mid	1			
24	1637002	Main Contactor - 240V Coil <b>Note:</b> Use FROM serial# 0106CJ0401 or units with 13-digits serial#. Was 9005400.	1	JUNE/2012		C
25	1193900	Terminal Block - 3 Pole, High Voltage	1			C
26	1028402	Ground Lug	1			
27	9006800	Sensor Probe	1		25-NOV/02	C
	1906001	Sensor Probe	1	25-NOV/02		C
	1906002	Probe - RTD, Flange Mount ( <b>USE WITH 1906003</b> )	1			C
28	1906003	Cable Assembly - Probe Extension ( <b>USE WITH 1906002</b> )	1			C
29*	1033700	460V Transformer 2KVA 50/60Hz ( <b>460V ONLY</b> )	1			
30	1918202	Polar Fan 230V	1		12-DEC/03	
	1671101	Cooling Fan 120mm 230V <b>Note:</b> For Fan Installation, see Bulletin B-97-2009-S.	1	12-DEC/03		C
31	1918001	Air Exhaust Duct - Standard Depth	1			
	1918002	Air Exhaust Duct - Deep Depth (Obsolete Option for SUME)	1		JUNE/2012	
32	GF138	Bulb Shield	2			
40*	1949576	Wire Harness - Mechanical Control Panel (was 1949577)	1	14-MAR/03		
41*	1949585	Wire Harness - Electric Elements	1			
42*	1949584	Wire Harness - 460V Transformer	1			
43*	1949579	Wire Harness - Lights	1			
44*	1949589	Wire Harness - Electrics	1			
50*	1949515	Wiring Diagram - 460V 60 Hz	1			
	1949514	Wiring Diagram - 208/240V Electric Mechanical	1			
<b>Note:</b> Diagram part#s listed For Reference Only. Please contact Technical Service for assistance.						

\* NOT ILLUSTRATED

**RECOMMENDED STOCK PARTS**



**U.S. RANGE PARTS IDENTIFICATION**  
**Summit Series Electric Convection Ovens**  
*models SUME-100/200*

**DOOR COMPONENTS & ASSEMBLIES**  
**( for units manufactured UP TO 14-APRIL-2005)**

ITEM	PART #	DESCRIPTION	QTY	FROM DATE	UP TO DATE	CRITICAL
1A	CK1924395	Door Handle - Black	1		FEB-03	
1B	CK1924396	Door Handle - Black	1	MAR-03		
2	CK1923997	Panel - Left Door Liner Window	1			
	CK1923996	Panel - Left Door Liner Solid	1			
	CK1923998	Panel - Right Door Liner Solid	1			
	CK1923999	Panel - Right Door Liner Window	1			
3	1924001	Panel - Left Door Solid	1			
	1924002	Panel - Left Door Window	1			
	1924003	Panel - Right Door Solid	1			
	1924004	Panel - Right Door Window	1			
4	<b>1010999</b>	<b>Oven Door Window (3/16" Glass)</b>	1			
5A	1923899	Frame W/A - Left Door	1		14-APR-05	
5B	1923898	Frame W/A - Right Door	1		14-APR-05	
7	CK1757998	Latch Bench Ass'y	1	AUG-95	JAN-03	
8	1925005	Bracket - Door Latch	1			
9	3077102	7-5/8" U.S. Range Nameplate	1			
11	1923499	Plate - Door Bushing	2		14-APR-05	
12	1923201	Spacer - Door Hinge	2			
18A	1949575	Wire Harness - Mechanical Door Switches (IM200)	1			
18B	4519715	Micro Switch Hi Temp - Hi Current (IM200)	2			C
18C	1925101	Cam - Door Switch	1			
18D	1925001	Bracket Door Switch Right	1			
18E	8003802	Set Screw 10x24x3/8"	2			
18F	8001203	Nut Hex Stl 8-32	2			
18G*	8001502	Nut w/Washer 6-32 ksp	2			
18H*	8003208	MSCR-PH-6 32x32 ST ZP	2			
19	<b>4520166</b>	<b>Door Chain Assembly</b> <b>Note:</b> Includes items 20, 21, 22, 23A, 23B.	1			
20	1014201	Connecting Door Rod - Short <b>(Not sold separately)</b>	2			
21	1014200	Connecting Door Rod - Long <b>(Not sold separately)</b>	2			
22	1015000	Turnbuckle 1/4-20 w/4" Take Up	2			
23A	1021100	Roller Chain #40	2			
23B	1021299	Connecting Link #40	4			

\* NOT ILLUSTRATED

**RECOMMENDED STOCK PARTS**

**U.S. RANGE PARTS IDENTIFICATION**  
**Summit Series Electric Convection Ovens**  
*models* **SUME-100/200**

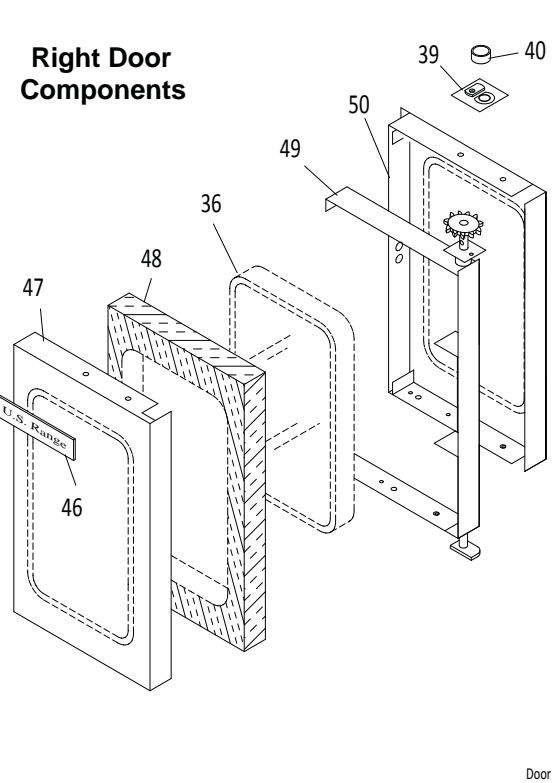
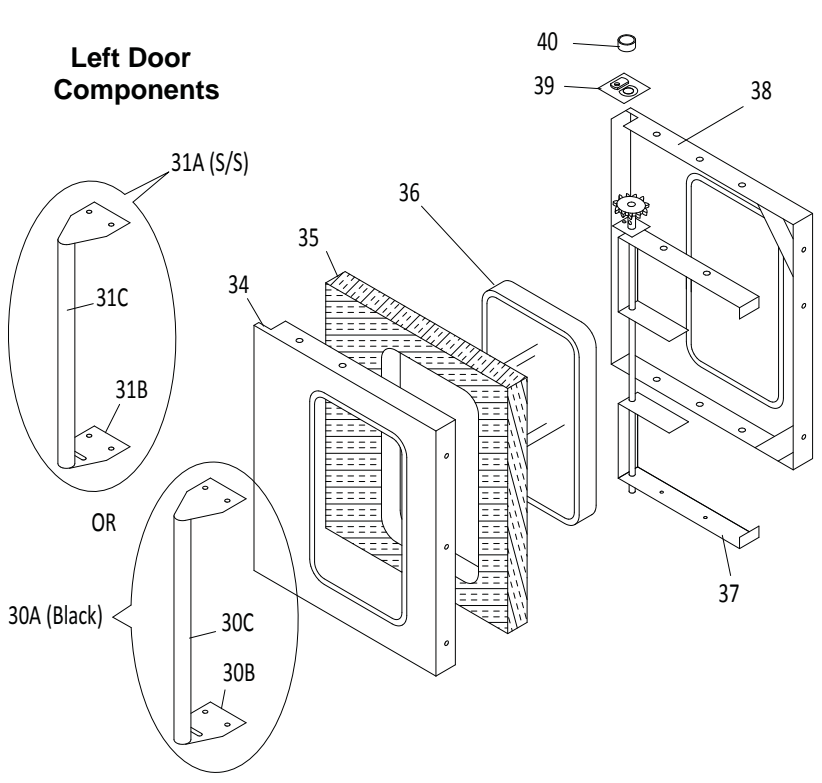
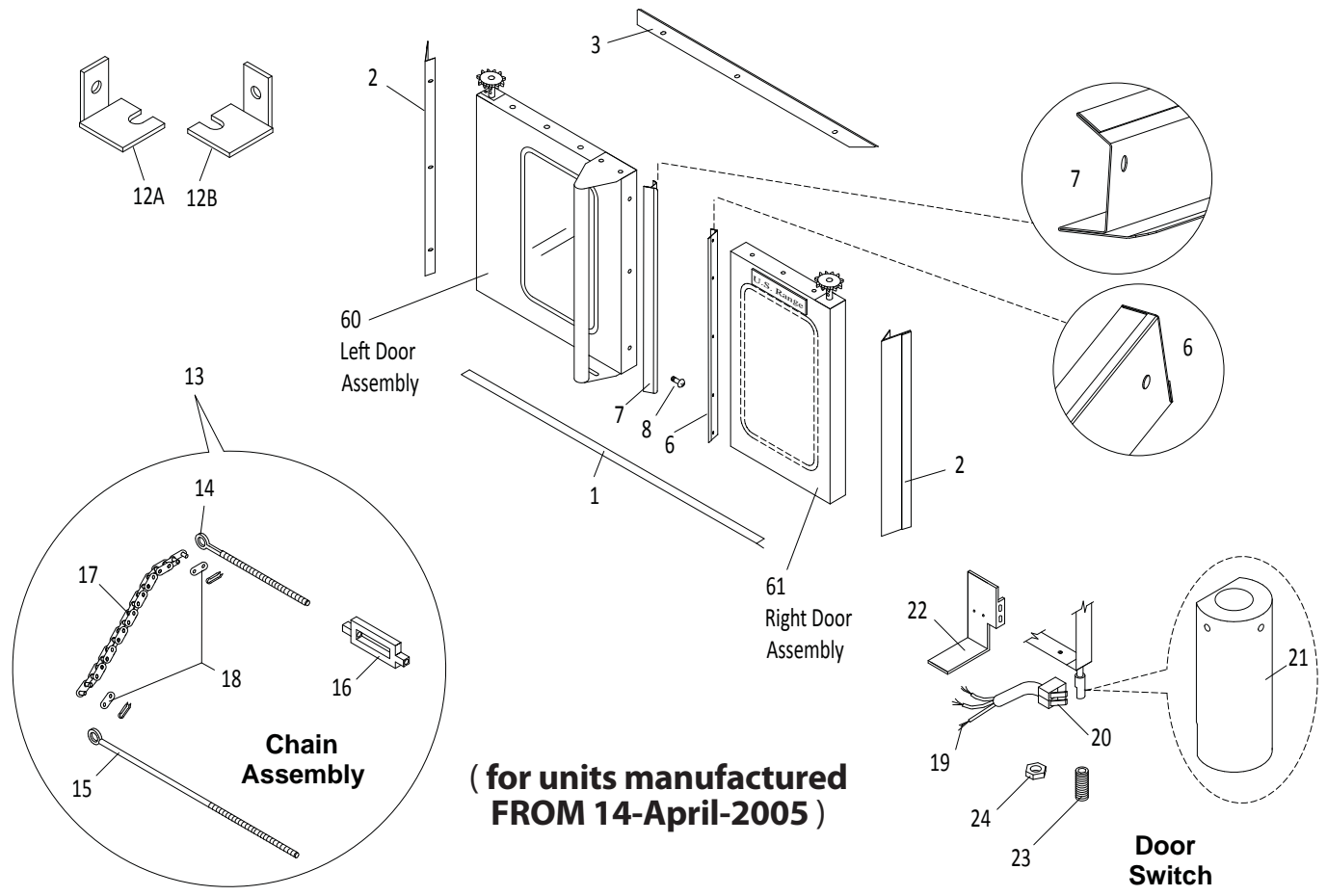
**DOOR COMPONENTS & ASSEMBLIES**  
**( for units manufactured UP TO 14-APRIL-2005)**

ITEM	PART #	DESCRIPTION	QTY	FROM DATE	UP TO DATE	CRITICAL
24	1924712	Seal - Door, Bottom	1			
25	1924601	Seal - Door, Left & Right	2			
26	1924711	Seal - Door Top	1			
27	1924402	Seal - Door, Center (old style) <b>Note:</b> Use 1924411 (item 28).	1			
28	1924411	Center Right Seal From serial # 0301CJ0082	1	JAN-03		
29	1924412	Center Left Seal From serial # 0301CJ0082	1	JAN-03		
30	1928209	Plate Door Handle From serial # 0301CJ0082 <b>Note:</b> Item will not be available once stock is out.	1	JAN-03		
31	1925013	Bracket - Door Stop L/H	1	APR-00		
	4519740	Bracket - Door Stop R/H	1	APR-05		
32*	8003603	Carriage Bolt 3/8-16 X 3/4				
34*	1019800	Self Threading Pal Nut				
35*	8001210	Nut Hex 3/8-16 Stl 2P	3			
36*	8000308	Washer - Flat 3/8x3/4 Stl 2P	3			
37*	1915914	Insulation - Left Door, W/Window	1			
	1915915	Insulation - Left Door, Solid	1			
38*	1915916	Insulation Right Door, W/Window	1			
	1915917	Insulation - Right Door, Solid	1			
<b>LEFT DOOR - COMPLETE ASSEMBLIES</b> (includes Left Door Components and the Left Door Center Seal)						
60	CK1924869	Door Kit - Left (WINDOW) <b>Note:</b> Item will not be available once stock is out.				
	CK1924868	Door Kit - Left (SOLID) <b>Note:</b> No Longer Available. ALT CK1924869.				
<b>RIGHT DOOR - COMPLETE ASSEMBLIES</b> (includes Right Door Components and the Right Door Center Seal)						
61	CK1924965	USR Door Kit - Right (WINDOW) <b>Note: Used FROM 01-Jan/2003 UP TO 14-Apr/2005.</b>				
	CK1924964	USR Door Kit - Right (SOLID) <b>Note: Used FROM 01-Jan/2003 UP TO 14-Apr/2005.</b>				

\* NOT ILLUSTRATED

**RECOMMENDED STOCK PARTS**

**BLANK PAGE**



Door



**U.S. RANGE PARTS IDENTIFICATION**  
**Summit Series Electric Convection Ovens**  
*models SUME-100/200*

**DOOR COMPONENTS & ASSEMBLIES**  
**( for units manufactured FROM 14-APRIL-2005)**

ITEM	PART #	DESCRIPTION	QUANTITY	CRITICAL
1	<b>1924712</b>	<b>Seal - Door, Bottom</b> (Used FROM Apr/00)	1	
2	<b>1924601</b>	<b>Seal - Door, Left &amp; Right</b> (Used FROM Apr/00)	2	
3	<b>1924711</b>	<b>Seal - Door Top</b> (Used FROM Apr/00)	1	
6	<b>1924411</b>	<b>Center - Right Door Seal</b>	1	
7	<b>1924412</b>	<b>Center - Left Door Seal</b>	1	
8	8003123	Mscr - TH - Phil 10-24 x 5/8" Stl ZP (for Center Seals)		
12A	1925013	Bracket - Door Stop L/H (Used FROM Apr/00)	1	
12B	4519740	Bracket - Door Stop R/H (Used FROM Apr/05)	1	
DOOR CHAIN COMPONENTS (ITEMS 13 - 18)				
13	<b>4520166</b>	<b>Door Chain Assembly</b> <b>Note:</b> Includes Items 14-18.	2	C
14	1014201	Connecting Door Rod - Short <b>Note:</b> Item listed for reference only. Not Sold Separately.	2	
15	1014200	Connecting Door Rod - Long <b>Note:</b> Item listed for reference only. Not Sold Separately.	2	
16	1015000	Turnbuckle 1/4-20 with 4" Take Up	2	
17	1021100	Roller Chain #40	2	
18	1021299	Connecting Link #40	4	
DOOR SWITCH COMPONENTS (ITEMS 19 - 27)				
19	1949575	Wire Harness - Door Micro Switch, Mechanical Control.	1	
20	<b>4519715</b>	<b>Door Micro Switch - High Temp, High Current, Mechanical Controls</b>	2	C
21	1925101	Cam - Door Switch (Used FROM Apr/00)	1	
22	1925001	Bracket Door Switch Right (Used FROM Apr/00)	1	
23	8003802	10-24 x 3/8", Set Screw	2	
24	8001203	8-32 Nut, Hex, Steel	2	
25*	8001502	6-32 KEP Nut w/ Washer, Zinc Plated	2	
26*	8003208	6-32 x 2" Machine Screw, PH, Steel, Zinc Plated	2	
27*	1028800	1" dia. Snap Bushing	4	

\* NOT ILLUSTRATED

**RECOMMENDED STOCK PARTS**

**U.S. RANGE PARTS IDENTIFICATION**  
**Summit Series Electric Convection Ovens**  
*models SUME-100/200*

**DOOR COMPONENTS & ASSEMBLIES**  
**( for units manufactured FROM 14-APRIL-2005)**

ITEM	PART #	DESCRIPTION	QUANTITY	CRITICAL
<b>LEFT &amp; RIGHT DOOR COMPONENTS (Window / Solid)</b>				
30A	1924396	Door Handle Assembly - Black <b>Note:</b> <ul style="list-style-type: none"> <li>• Used UP TO June/2012.</li> <li>• COMPLETE Handle Assembly is interchangeable with the S/S version (item 31A).</li> <li>• Includes items 30B, 30C, 30D.</li> </ul>	1	
30B	1924195	Handle Tube, Door	1	
30C	1924206	Plate - Door Handle	2	
30D*	8003605	1/4-20 x 1" Carriage Bolt, Black	2	
31A	113797	Door Handle Assembly - S/S <b>Note:</b> <ul style="list-style-type: none"> <li>• Used FROM June/2012.</li> <li>• COMPLETE Handle Assembly is interchangeable with the black version (item 30A).</li> <li>• Includes items 31B, 31C, 31D.</li> </ul>	1	
31B	113798	Handle Tube (Handle Tube and Connectors)	1	
31C	113800	Plate - Door Handle	2	
31D*	111273	1/4-20 x 3/4" Carriage Bolt, Round Head, Square Neck	2	
34	1924001	Panel - Left Door (Solid)	1	
	1924002	Panel - Left Door (Window)	1	
35	113862	Insulation - Left Door (Window)	2	
	113863	Insulation - Left Door (Solid)	1	
36	1010999	Oven Door Window - 3/16" Glass (Window Option)		
37	4520373	Weld Assembly Frame Left Door Extended Bearing Plate (Used FROM 14-Apr/05)	1	
38	CK1923997	Panel - Left Door Liner (Window)	1	
	CK1923996	Panel - Left Door Liner (Solid)	1	
39	4520301	Plate - Door Bushing Extended (Used FROM 14-Apr/05)	2	
40	1923201	Spacer - Door Hinge	2	
46	3077102	7-5/8" U.S. Range Nameplate	1	
47	1924003	Panel - Right Door (Solid)	1	
	1924004	Panel - Right Door (Window)	1	
48	113864	Insulation Right Door (Window)	1	
	113865	Insulation - Right Door (Solid)	1	
49	4520374	Weld Assembly Frame Right Door Extended Bearing Plate (Used FROM 14-Apr/05)	1	
50	1923998	Panel - Right Door Liner (Solid)	1	
	1923999	Panel - Right Door Liner (Window)	1	

\* NOT ILLUSTRATED

**RECOMMENDED STOCK PARTS**

**U.S. RANGE PARTS IDENTIFICATION**  
**Summit Series Electric Convection Ovens**  
*models SUME-100/200*

**DOOR COMPONENTS & ASSEMBLIES**  
**( for units manufactured FROM 14-APRIL-2005)**

<b>ITEM</b>	<b>PART #</b>	<b>DESCRIPTION</b>
<b>LEFT DOOR - COMPLETE ASSEMBLIES</b> (includes Left Door Components and the Left Door Center Seal)		
60	4520318	USR Complete Door Kit - Left (WINDOW), BLACK Handle
	4520320	USR Complete Door Kit - Left (SOLID), BLACK Handle
<b>RIGHT DOOR - COMPLETE ASSEMBLIES</b> (includes Right Door Components and the Right Door Center Seal)		
61	4520321	USR Door Assembly, Right (Solid)
	4520319	USR Door Assembly, Right (Window)

\* NOT ILLUSTRATED

**RECOMMENDED STOCK PARTS**

**U.S. RANGE PARTS IDENTIFICATION**  
**Summit Series Electric Convection Ovens**  
*models SUME-100/200*

**LIST OF WIRING DIAGRAMS & AVAILABLE KITS**

**WIRING DIAGRAMS**

*(For Reference Only - Contact Technical Service Department for assistance)*

<b>PART #</b>	<b>DESCRIPTION</b>
1949515	<b>SUME</b> 460V 60Hz Electric Mechanical Control
1949514	<b>SUME</b> 208/240V Electric Mechanical Control

**SINGLE & DOUBLE DECK KITS (OPEN BASE, LEGS & CASTERS)**

*(For Reference Only - Contact Sales Department for assistance)*

<b>PART #</b>	<b>DESCRIPTION</b>
1951213	Single Deck S/S Open Base & Feet Kit - Full Size MCO / SGM / SUMG
1951214	Single Deck S/S Open Base & Casters - Full Size MCO / SGM / SUMG
1951204	Single Deck S/S Legs & Feet Inserts - Full Size MCO / SGM / SUMG
1951205	Single Deck S/S Legs and Casters - Full Size MCO / SGM / SUMG
1951209	Kit MCO - Heavy Duty Casters - Full Size MCO / SGM / SUMG
1951210	Kit MCO - LO-Profile Casters - Full Size MCO / SGM / SUMG
1951223	Double Deck Gas W/Inserts S/S Legs - Full Size MCO / SGM / SUMG
1951226	Double Deck Gas W/Casters - Full Size MCO / SGM / SUMG
1951228	Double Deck Gas W/Lo Profile Casters - Full Size MCO / SGM / SUMG

**VENTILATION KITS**

*(For Reference Only - Contact Sales Department for assistance)*

<b>PART #</b>	<b>DESCRIPTION</b>
1951217	Direct Connect Venting Kit
1951229	S/S Canopy Diverter for MCO / SGM / SUMG

## U.S. RANGE PARTS IDENTIFICATION

### RELATED BULLETINS

BULLETIN #	SUBJECT	DATE
B-97-2009-S	New Axial Cooling Fan Install Instructions	SEP 17 /2009
GAR-03-12-AIC	Master 200 Series Controller P/N 1955501	FEB 8 / 2012
BI-06-2012-P	Controllers (Digital Controller Replacement Kits)	FEB 22 / 2012

### REVISION HISTORY (SUME)

REV#	PAGE#	ITME	NOTES	DATE
			Part List Book Released	JAN 15/04
1	6, 11, 13		New Drawings	APR 12/04
	12		Item 1a, 1b,11, 64 added	
	14, 15	11	Item 11 & 21 added	
2			Reformatted the entire book	JUN 09/04
3	5	11	Date changed	MAR 15/05
	9, 13	5 36	Deleted Up to date corrected	
4			Book reformated	DEC 13/05
	5	13	Description changed	
		33	Date changed	
	8		New Drawing	
	9	5,22,35B, 43B	New part numbers	
	12,13,14		New door system	
	16		New Drawing	
17	22,35B,64	New part numbers		
5	18,19		New door system	AUG 03/12
			Added rating plate locatio, model and serial# info	
			Removed prison door related sections. Removed digital photos.	
	6		Removed 1920701 - Top side trim cover - NLA CK4519724 Lower Front Cover replaced 1925401. Black Painted Option is NLA; removed related part#.s. 1917601 (Top) and 1927196 (Leg), use the s/s versions to replace. Removed prison package related parts. Use Kits to replace Lo Profile Casters(1926521,1926522).	
	8		A number of parts have been replaced: 4518354 replaced 1901701; 4518356 replaced 1901702; 4518357 replaced 1901703. Move probes and blub clip to Summit20 section, were in Interior/Element Section. Removed fasteners 8001206, 1028501, 1029600. Removed cover-burner back 1919601, BX cable from interior section. Baffle kits for MCO units only, not for Summit units. Added insulation kits 113361, 113364.	
	11	13	New power control board. Bulletin issued. Overlay 1835906 replaced 1789606(NLA).	
	16	31	New door handle style - S/S	
20-21			Removed prison package components	
			Added list of wiring diagrams and available kis. Added related bulletins.	

\*\* Page#/Item# reference the specific page/item numbers in the corresponding revision only.

 ***U.S. Range***<sup>®</sup>

 ***Garland***<sup>®</sup>

 ***Manitowoc***