



INSTALLATION AND OPERATION MANUAL

“THE SUMMIT” ELECTRIC CONVECTION OVEN



FOR YOUR SAFETY:
DO NOT STORE OR USE GASOLINE
OR OTHER FLAMMABLE VAPORS OR
LIQUIDS IN THE VICINITY OF
THIS OR ANY OTHER
APPLIANCE

WARNING:
IMPROPER INSTALLATION, ADJUSTMENT,
ALTERATION, SERVICE OR MAINTENANCE
CAN CAUSE PROPERTY DAMAGE, INJURY,
OR DEATH. READ THE INSTALLATION,
OPERATING AND MAINTENANCE
INSTRUCTIONS THOROUGHLY
BEFORE INSTALLING OR
SERVICING THIS EQUIPMENT

PLEASE READ ALL SECTIONS OF THIS MANUAL
AND RETAIN FOR FUTURE REFERENCE.

THIS PRODUCT HAS BEEN CERTIFIED AS
COMMERCIAL COOKING EQUIPMENT AND
MUST BE INSTALLED BY PROFESSIONAL
PERSONNEL AS SPECIFIED.

INSTALLATION AND ELECTRICAL CONNECTION
MUST COMPLY WITH CURRENT CODES:
IN CANADA - THE CANADIAN ELECTRICAL
CODE PART 1 AND / OR LOCAL CODES.
IN USA – THE NATIONAL ELECTRICAL CODE
ANSI / NFPA – CURRENT EDITION.

ENSURE ELECTRICAL SUPPLY CONFORMS WITH
ELECTRICAL CHARACTERISTICS SHOWN ON
THE RATING PLATE.

Users are cautioned that maintenance and repairs must be performed by a Garland authorized service agent using genuine Garland replacement parts. Garland will have no obligation with respect to any product that has been improperly installed, adjusted, operated or not maintained in accordance with national and local codes or installation instructions provided with the product, or any product that has its serial number defaced, obliterated or removed, or which has been modified or repaired using unauthorized parts or by unauthorized service agents. For a list of authorized service agents, please refer to the Garland web site at <http://www.garland-group.com>. The information contained herein, (including design and parts specifications), may be superseded and is subject to change without notice.

Manufactured by:
Cleveland Range
1333 East 179th Street
Cleveland, Ohio 44110 USA

GARLAND COMMERCIAL RANGES, LTD.
1177 Kamato Road, Mississauga, Ontario L4W 1X4
CANADA
Phone: 905-624-0260
Fax: 905-624-5669

IMPORTANT INFORMATION

WARNING:

This product contains chemicals known to the state of California to cause cancer and/or birth defects or other reproductive harm. Installation and servicing of this product could expose you to airborne particles of glass wool/ceramic fibers. Inhalation of airborne particles of glass wool/ceramic fibers is known to the state of California to cause cancer.

Keep appliance area free and clear of combustibles.

TABLE OF CONTENTS

IMPORTANT INFORMATION.....	2	Summit 45 Electronic Control With Cook-N-Hold And Summit 45+ Electronic Control With Cook-N-Hold & Core Probe.....	9
DIMENSIONS AND SPECIFICATIONS, MODEL SUME 100/200	4	In Off Mode	9
DIMENSIONS AND SPECIFICATIONS, MODEL SEM 100/200(Built before 06/12)	5	On Start Up	9
INTRODUCTION.....	6	Controller Keys	9
Rating Plate.....	6	Fahrenheit/Celsius.....	10
INSTALLATION	6	Operating the Controls	10
Clearances.....	6	Cook-N-Hold Operation	11
Installation Of Ovens Equipped With Casters ..	6	Core Probe Operation	11
Installation of Double Deck Models	6	Setting Setback Feature	11
Electrical Connections.....	7	PERFORMANCE RECOMMENDATIONS ..	12
Power Failure	7	PROBLEM/SOLUTIONS	13
OPERATING INSTRUCTIONS.....	8	COOKING GUIDE.....	14
Summit 20 Solid State Control with Electromechanical Timer	8	COOK AND HOLD	15
In Off Mode	8	CLEANING AND MAINTENANCE.....	16
Start Up.....	8	Break-In Period	16
Fan Speed	8	Exterior Cleaning	16
Lights.....	8	Interior Cleaning	16
Cool Down.....	8	Fan Area Maintenance	16
Temperature	8	Motor Care	16
Timer	9		

DIMENSIONS AND SPECIFICATIONS, MODEL SUME 100/200

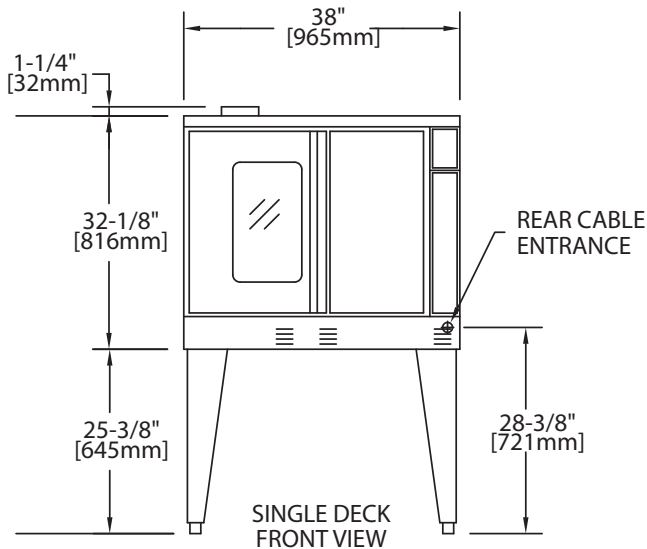
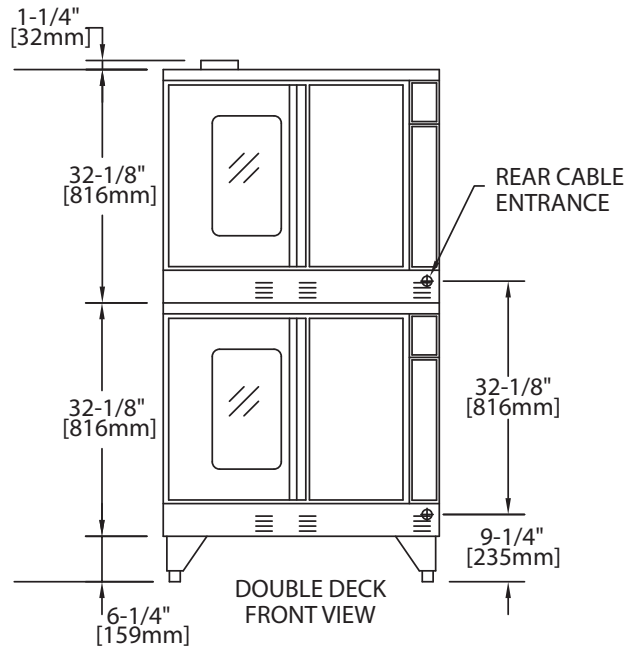
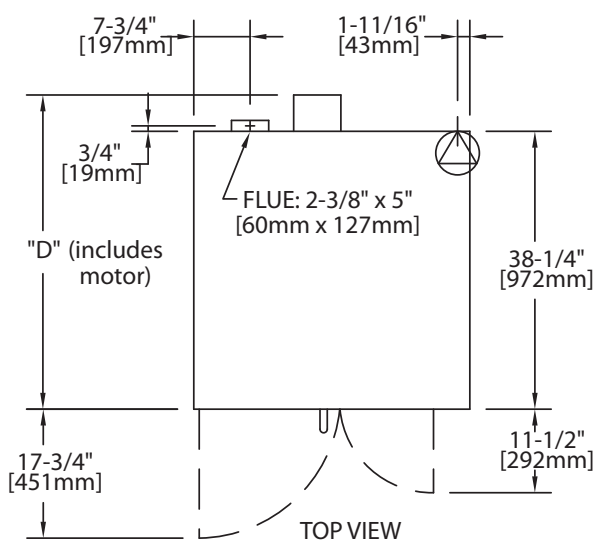
Model	Int. Dimensions :In (mm)			Ext. Dimensions: In (mm)			Ship Wt	Ship Dim.
	W	H	D	W	H**	D(w/motor)	Lbs/kg	Cubic Ft.
SUME-100	29 (736)	24 (610)	24 (610)	38 (965)	57-1/2 (1461)	41-1/4(1048)	750/341	80
SUME-200	29(736)	24(610)	24(610)	38(965)	70-1/2 (1791)	41-1/4(1048)	1500/682	80

**Height with or without standard casters. Height with low profile casters (double deck) is 68-1/2" (1740mm).

Model	Total kW	Nominal Amperes Per Line, (includes 3/4 HP fan motor)										
		208V/1Ph	240V/1Ph	208V/3Ph			240V/3Ph			460V/3Ph		
				X	Y	Z	X	Y	Z	X	Y	Z
Single Deck	10.4	50	43	30	30	28	26	26	24	14	14	13
Double Deck* each oven	10.4	50	43	30	30	28	26	26	24	14	14	13

* Double Deck Models are provided with individual power supply connections.

Electrical specifications include motor requirements. 3/4, HP, 2-speed motor: 1725/1140 rpm, (60Hz); or 1440/950 rpm (50Hz)
Please specify electrical characteristics when ordering.



Installation Notes:			
Combustible & Non-Combustible Wall Clearances:			
Sides	1" (25mm)	Back	3" (76mm)
Entry Clearances: In (mm)			
Crated	44-1/2 (1130)	Uncrated	32-1/2 (826)

Many local codes exist and it is the responsibility of the owner and installer to comply with those codes.

These appliances are intended for commercial use by professionally trained personnel.

DIMENSIONS AND SPECIFICATIONS, MODEL SEM 100/200

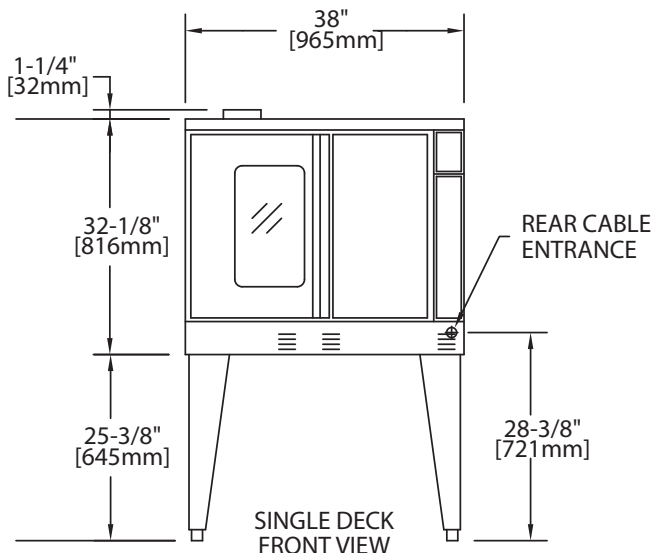
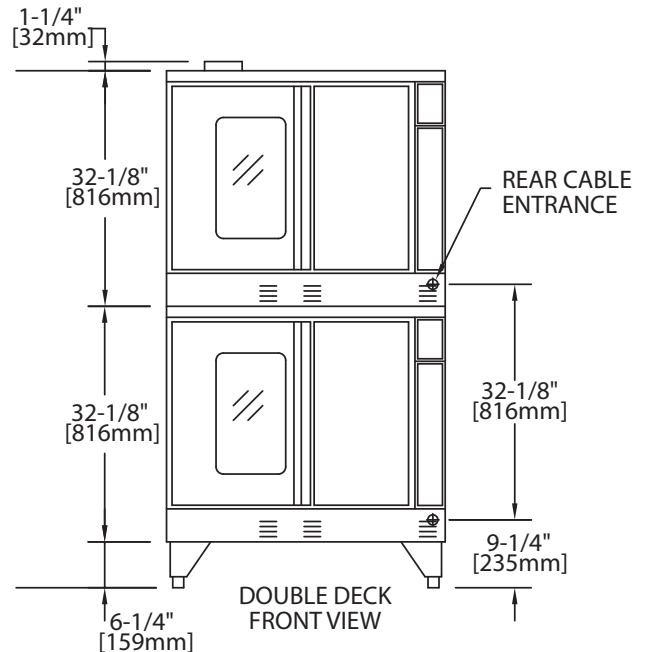
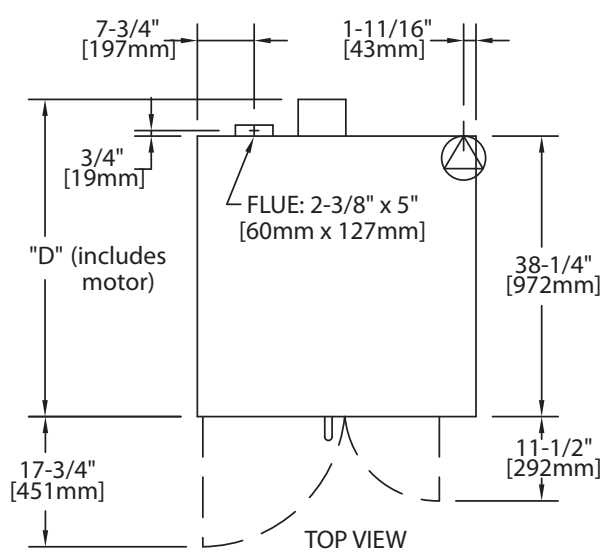
(Models Manufactured Before June 2012)

Model	Int. Dimensions :In (mm)			Ext. Dimensions: In (mm)			Ship Wt	Ship Dim.
	W	H	D	W	H	D	Lbs/kg	Cubic Ft.
SEM-100S1	29 (736)	24 (610)	24 (610)	38 (965)	57-1/2 (1461)	39-1/4(997)	510/232	42
SEM-100D1	29 (736)	24 (610)	28 (711)	38 (965)	57-1/2 (1461)	43-1/4(1099)	510/232	42
SEM-200S1	29(736)	24(610)	24(610)	38(965)	70-1/2 (1791)	39-1/4(997)	1024/464	84
SEM-200D1	29(736)	24(610)	28 (711)	38(965)	70-1/2 (1791)	43-1/4(1099)	1024/464	84

Model	Total kW	Nominal Amperes Per Line, (includes 3/4 HP fan motor)										
		208V/1Ph	240V/1Ph	208V/3Ph			240V/3Ph			460V/3Ph		
				X	Y	Z	X	Y	Z	X	Y	Z
Single Deck	10.4	50	43	30	30	28	26	26	24	14	14	13
Double Deck* each oven	10.4	50	43	30	30	28	26	26	24	14	14	13

* Double Deck Models are provided with individual power supply connections.

Electrical specifications include motor requirements. 3/4, HP, 2-speed motor: 1725/1140 rpm, (60Hz); or 1440/950 rpm (50Hz)
Please specify electrical characteristics when ordering.



Installation Notes:			
Combustible & Non-Combustible Wall Clearances:			
Sides	1" (25mm)	Back	3" (76mm)
Entry Clearances: In (mm)			
Crated	44-1/2 (1130)	Uncrated	32-1/2 (826)

Many local codes exist and it is the responsibility of the owner and installer to comply with those codes. These appliances are intended for commercial use by professionally trained personnel.

INTRODUCTION

Like any other fine, precision built appliance, your oven should be given regular care and maintenance. Periodic inspections by your dealer or a qualified service agency is recommended.

Rating Plate

When corresponding with the factory or your local authorized factory service center regarding service problems or replacement parts, be sure to refer to the particular unit by the correct model number (including the prefix and suffix letters and numbers) and the warranty serial number. The rating plate located on the lower rear of left side panel.

INSTALLATION

Clearances

Combustible and non-combustible wall clearances are: side, 1.0" (25mm) and rear, 3.0" (76mm).

NOTE: Adequate clearance must be provided for servicing and proper operation.

Installation Of Ovens Equipped With Casters

- A. For an appliance equipped with casters, the installation shall be made with a connector that complies with the Standard for connectors for Movable Appliances, ANSI Z21.69. Adequate means must be provided to limit the movement of the appliance without depending on connector wiring.
- B. The front casters of the unit are equipped with brakes to limit the movement of the oven without depending on the connector wiring to limit the appliance movement.
- C. The restraint can be attached to the unit near the electrical inlet. If the restraint is disconnected, be sure to reconnect the restraint after the oven has been returned to its originally installed position.

Installation of Double Deck Models

- A. Position insert in bottom leg opening and tap insert up into leg until it seats at collar. Attach six inch (6", 152mm) legs to lower oven section. Raise unit or lay on its left side. Place the front legs on the oven so as to line up with four (4) attaching bolt holes. Secure leg to oven frame using four (4) 3/8-16 x 3/4 bolts and washers provided. Repeat at rear of unit.
- B. Remove lower front cover of top deck (located under oven doors). Raise top deck into place and line up body sides and back of the unit. Fasten the rear of the units together, with the stacking bracket, using (6) 1/4-20 machine screws, lock washers and nuts, (provided).
- C. Install the interconnecting flue parts, carefully following the instructions contained in the stacking kit. Pay particular attention to the type of ovens you are stacking and be sure to follow the corresponding instructions.
- D. Check leveling of unit four (4) ways (using a common carpenter's level on the rack inside the oven).
- E. Maintain clearance from combustibles.

INSTALLATION Continued

Electrical Connections

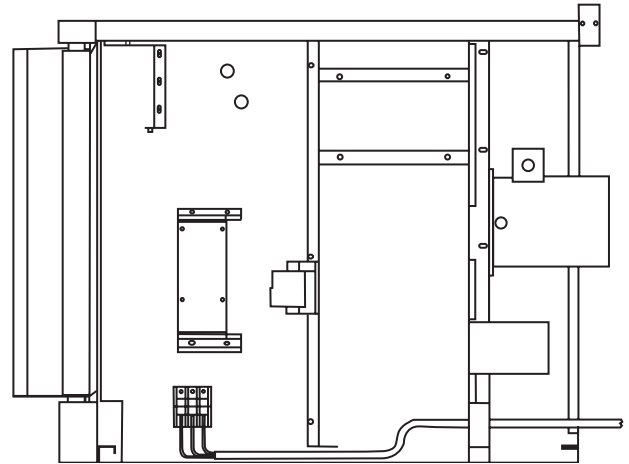
Before attempting the electrical connection, the rating plate should be checked to ensure that the unit's electrical characteristics and the supply electrical characteristics agree.

Installation of the wiring must be made in accordance with U.L. 197 Commercial Electric cooking Appliance Standards, Local and/or National electrical Code, ANSI/NFPA 70-1990.

1. Switch panel size
2. Overload protection
3. Wire type
4. Wire size
5. Temperature limitations of the wires
6. Method of connection (Cable, Conduit, etc)

The service line will enter through the rear of the unit and is to be connected to the terminal block (see diagram left). The terminal block is accessed by removing the lower front cover. Removal of the body side is not necessary.

Input voltage and phasing must match the units voltage and phasing. Wiring diagram is attached to the main back of each oven. Visually check all electrical connections. Energize electric service to units. The range is wired standard for three phase connections. If it is necessary to change to single phase, please refer to wiring diagram attached to the rear of the oven. Service and unit voltage must agree.



Power Failure

In the event of a power failure, no attempt should be made to operate this oven.

OPERATING INSTRUCTIONS

Summit 20 Solid State Control with Electromechanical Timer

In Off Mode

When the oven is off, there are no lights or indicators.

Start Up

Press the Cook/Off/Cool Down rocker switch to the "Cook" position. The green lamp will light indicating the oven is powered in cook mode.

The oven will begin to heat to the temperature set on the thermostat dial. The amber lamp will light indicating the heat is active. As the heat cycles on and off to maintain the set temperature this light will go on and off accordingly.

The door must be closed for the oven to operate in cook mode. Opening the door will cause the heat to stop and the motor and fan will shut off. *This is a safety feature.*

Fan Speed

The fan speed can be either high (1725 RPM) or low (1150 RPM). The fan speed is controlled by the left rocker switch marked high and low.

Lights

The oven lights are activated by pressing the light switch on the control panel. This is a momentary switch and the lights will only stay lit as long as this button held in the on position. Lights will work whenever there is electrical power connected to the oven.

Cool Down

Pressing the Cook/Off/Cool down rocker switch to the Cool down position activates the fan and motor to cool the oven cavity. The door must be open slightly for the fan and motor to start. The heat is not active in this mode.

Optimal cool down will be achieved with the door open slightly. Opening the door too far will shut the fan and motor off. *This is a patented safety feature.*

Pressing the button to the OFF position cancels the cool down and turns the oven off.

Temperature

The temperature range is from 150° to 500°F (66°C to 250°C) is controlled by rotating the temperature dial and aligning the indicator to the desired temperature.



OPERATING INSTRUCTIONS Continued

Timer

The timer is set by rotating the dial clockwise aligning the indicator to the desired time cycle. The timer will count down from 2 minutes to 60 minutes. At the end of the timing cycle the buzzer will sound. The buzzer is turned off by rotating the dial counter-clockwise to the off position as shown on the control panel.

NOTE: The timer does not control heating.

Summit 45 Electronic Control With Cook-N-Hold And Summit 45+ Electronic Control With Cook-N-Hold & Core Probe (Models Manufactured before June 2012)

In Off Mode

When the controller is off, the display will show "OFF". Pressing the ON/OFF key will activate the controller into Start Up Mode.

On Start Up

In Start Up mode, the controller will heat to the last set temperature, time and fan speed. The factory defaults are 350°F (177°C), 30 minutes and low fan speed. The display will indicate "LO" when the oven is below the set temperature. When the oven cavity reaches the set temperature and is ready for operation the display will indicate "LOAD".

NOTE: If the oven temperature goes above the requested temperature the display will indicate "HI". If the oven temperature goes above 575°(302°C) the display will indicate "HELP" and an audible signal will sound. *This is a safety feature.*

If the door is opened during a Cooking mode, the fan and heat will stop, and the display will indicate "DOOR" until the door is closed. *This is a patented safety feature.*

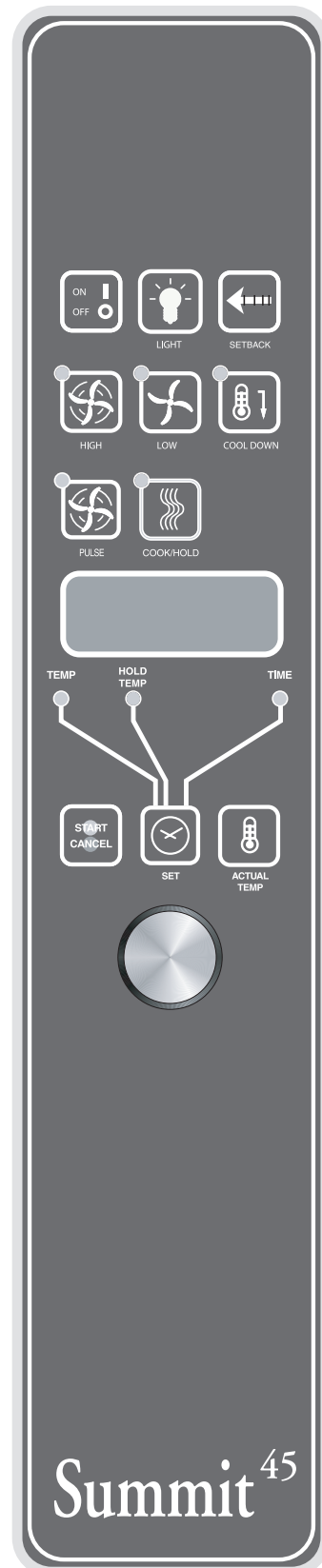
Pressing the ACTUAL TEMP key will display the actual oven temperature in 5° increments.

Controller Keys

Pressing the ON/OFF key will activate the oven.

Pressing the LIGHT key will turn the lights on for 30 seconds. The lights will work if the controller is in the off mode. When the door is opened, the light will come on and stay on for 30 seconds.

Pressing the FAN HIGH key will activate the lower fan speed



OPERATING INSTRUCTIONS Continued

and light its LED.

Pressing the **FAN LOW** will activate the higher fan speed and light its LED.

Pressing the **FAN PULSE** key the fan will be active the lower fan speed and light its LED. The fan will be activated for 30 seconds then off for 30 seconds, and continues this cycle.

Pressing the **SETBACK** key will cool the oven cavity to a preprogrammed temperature, see: Setting "Set-Back" Feature. The oven will automatically go into Setback mode after the pre-programmed non-usage time. The display will indicate "SETB". This is an energy-saving feature.

Pressing the **COOL DOWN** key will deactivate the heat, turn the fan on high and light its LED. This display will indicate "OPEN DOOR" if the door is closed, prompting the user to open the door slightly. With the door open slightly the display will indicate "COOL". The Cool down will operate when the door is closed or opened slightly. **Optimal cool-down will be achieved with the door open slightly.** When the door opens wider, the Cool Down mode will deactivate and the display will indicate "DOOR". *This is a patented safety feature.* Pressing the **COOL DOWN** key again will turn the LED off and stop this mode. Pressing the **ON/OFF** key will also cancel Cool down. Cool Down is not active during a cook.

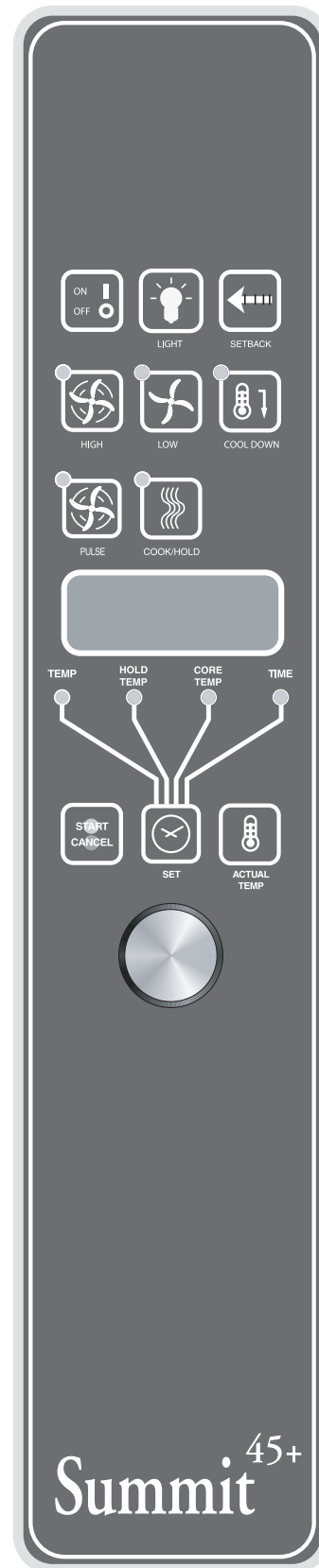
When the **ON/OFF** switch is pressed to turn the oven off and the oven is above 200°F (93°C), the oven will go into an **AUTO COOL DOWN** mode. In Auto cool Down, the oven will run the fan on high until the oven cavity drops below 150°F (66°C). During this time the display will indicate "AUTO". When the oven temperature drops below 150°F (66°C) the oven turns off. This feature protects the oven motor from premature failure. **Optimal cool-down will be achieved with door open slightly.**

Fahrenheit/Celsius

Factory default is Fahrenheit (F). To change to Celsius (C), press and hold in the "Phantom Key" located to the right of "Cook/Hold" key. "F" appears in the display. Continue to hold until "C" is displayed and then release the "Phantom key"

Operating the Controls

Setting the cook temperature and time are done in the same manner. Pressing the **SET** key will light the **TEMP** LED. The operator then sets the temperature by rotating the dial on the controller until the desired temperature is shown on the display. Pressing the **SET** key a second time lights the **TIME** LED and allows the operator to select the desired cook time



OPERATING INSTRUCTIONS Continued

as shown on the display. Pressing the Set key a third time ends the programming.

Pressing the **START/CANCEL** key will start the timing cycle. The display will count down from the set time in minutes and seconds (solid colon) or hours and minutes (blinking colon) then minutes and seconds. When the cycle is completed, pressing this key will also cancel the “**DONE**” prompt. To cancel a timing cycle in progress, press and hold the **START/CANCEL**.

Cook-N-Hold Operation

Pressing the **COOK/HOLD** (45 and 45+ Controllers Only) key activates the Cook-N-Hold mode and lights is LED. To verify the proper hold temperature has been selected, press the **SET** key twice. The display will show the hold temperature. At the end of the cook cycle, an audible alarm will sound, the display will flash “**DONE**” and change to count “**UP**” the time the oven is on hold. The oven will switch to the programmed hold temperature.

Setting the cook temperature, hold temperature and time are done in the same manner. Pressing the **SET** key will light the **TEMP** LED. The operator then sets the temperature by rotating the dial on the controller until the desired temperature is shown on the display. Pressing the **SET** key a second time will light the **HOLD** LED and allows the operator to select the desired hold temperature as shown on the display. Pressing the **SET** key a third time lights the **TIME** LED and allows the operator to select the desired cook time as shown on the display. Pressing the **SET** key a fourth time ends the programming.

Pressing the **START/CANCEL** key will start the timing cycle. When the cycle is completed, pressing the key will also cancel the “**DONE**” prompt. To cancel a timing cycle

in progress press and hold the **START/CANCEL** key for 3 seconds.

Core Probe Operation

The Core Probe option (45+ Controller Only) is only active when the core probe is plugged into its connector. To set the core temperature, first plug the core probe into its connector. The display will indicate “100” and the **CORE TEMP** LED will be on.

The operator then sets the temperature by rotating the dial on the controller until the desired temperature is shown on the display. Pressing the **SET** key stores the core temperature and starts the cooking process.

To set the oven temperature, press the **SET** key again. The **TEMP** LED will light and the oven temperature can be set by rotating the dial on the controller until the desired temperature is displayed. Pressing the Set key again will light the **HOLD** LED allowing the operator to set the hold temperature in the same manner.

NOTE: If the hold temperature is not set, the default hold temperature is 150°F (66°C) or the last programmed temperature. (Hold temperature range is 140°F (60°C) to 210°F (99°C).

When the core temperature is reached the display will sound and flash “**DONE**” for 3 seconds. Automatically, the display will switch to count “**UP**” the time the oven is on hold. To end this cycle, the core probe must be removed from the connector.

Setting Setback Feature

To set or change the setback settings, press and hold the **SETBACK** key for two seconds. The **TEMP** LED will light and a temperature will be displayed. Set the temperature using the dial, then press the **SET** key. The **TEMP** LED will go out and the **TIME** LED will light (“Time” is factory set at 0). Set the time using the dial, then press the **SET** key. Press the **SET** key one more time to exit programming.

Note: To disable the setback function, set the temperature to 250° F (121°C) and the time to zero.

PERFORMANCE RECOMMENDATIONS

1. Preheat oven thoroughly (approx. 20 minutes) before use.
2. As a general rule, temperature should be reduced 25° to 50° from that used in a standard/conventional oven. Cooking time may also be shorter, so we suggest closely checking the first batch of each product prepared.
3. Use the chart of suggested times and temperatures as a guide. These will vary depending upon such factors as size of load, temperature, and mixture of product (particularly moisture) and density of product.
4. Keep a record of the times, temperature, and load sizes you establish for various products. Once you have determined these, they will be similar for succeeding loads.
5. When practical, start cooking the lowest temperature product first and gradually work up to higher temperatures.
6. If you find that your previous temperature setting is more than 10° higher than needed for succeeding loads, press **COOL DOWN** to reach the desired temperature before setting a new cooking temperature.
7. When loading oven, work as quickly as possible to prevent loss of heat.
8. Oven will continue to heat even though the timer goes off. Product should be removed from the oven as soon as possible to avoid over cooking.
9. Center pans on racks and load each shelf evenly to allow for proper air circulation within the cavity.
10. When baking, weigh or measure the product in each pan to assure even cooking.
11. When cooking five pans, use rack positions 1, 4, 6, 8, and 10 and, starting from the top.
12. Do not overload the oven. Five pans are suggested for most items, i.e., cakes, cookies, rolls, etc. However, the maximum (10 pans) may be used for fish sticks, chicken nuggets and hamburgers. Cooking times will have to be adjusted.
13. Muffin pans should be placed in the oven back to front or with the short side of the pans facing the front. This results in the most evenly baked product.
14. When re-thermalizing frozen casseroles, preheat the oven 100° over the suggested temperature. Return to cooking temperature when the oven is loaded. This will help compensate for the introduction of a large frozen mass into the cavity.
15. Use pan extenders or two inch deep 18" x 26" pans for batter type products which weigh more than eight pounds, i.e., Pineapple Upside down Cake.
16. Never place anything directly on the bottom of the oven cavity. This obstructs the airflow and will cause uneven results.

NOTE: Moisture will escape around the doors when baking products with heavy moisture content, such as chicken, potatoes, etc. This is normal.

PROBLEM/SOLUTIONS

Problem	Solution
Cakes are dark on the sides and not done in the center	Lower oven temperature
Cakes edges are too brown	Reduce number of pans or lower oven temperature
Cakes have light outer color	Raise temperature
Cake settles slightly in the center	Bake longer or raise oven temperature slightly. Do not open doors too often or for long periods
Cake ripples	Overloading pans or batter is too thin
Cakes are too coarse	Lower oven Temperature
Pies have uneven color	Reduce number of pies per rack or eliminate use of bake pans
Cupcakes crack on top	Lower oven temperature
Meats are browned and not done in center	Lower temperature and roast longer.
Meats are well done and browned	Reduce time. Limit amount of moisture
Meats develop hard crust	Reduce temperature or place pan of water in oven.
Rolls have uneven color	Reduce number or size of pans.

COOKING GUIDE

The following suggested times and temperatures are provided as a starting guide. Elevation, atmospheric conditions, recipe, cooking pans, and oven loading may affect your actual results.

PRODUCT	TEMPERATURE (°F)	TIME
Cakes		
White Sheet Cakes – 5 lbs	300°	20 min
White Sheet Cakes – 6 lbs	300°	22 min
Yellow Sheet Cake – 5 lbs	325°	15 min
Chocolate Layer Cake – 21 oz	300°	22 min
Angel Food Cake	375°	22 min
Brownies	350°	15 min
Breads		
Soda Biscuits	400°	6 min
Yeast Rolls	325°	24 min
Sweet Bread	325°	24 min
Corn Bread	350°	22 min
Gingerbread	300°	24 min
Apple Turnovers	350°	25 min
Cream Puffs	300°	25 min
Sugar Cookies	325°	12 min
Chocolate Chip cookies	375°	8 min
Apple Pie (Fresh)	375°	25 min
Blueberry Pie (Fresh)	350°	30 min
Blueberry Pie (Frozen)	300°	50 min
Pumpkin Pie (Frozen)	300°	50 min
Frozen Pizza	300°	6 min
Macaroni & Cheese	350°	15 min
Fish Sticks	350°	16 min
Stuffed Peppers	350°	45 min
Baked Potatoes	350°	60 min
Meats		
Chick Parts	350°	45 min
Hamburger Patties-10/lb frozen	350°	8 min
Hamburger Patties - 10/lb fresh	350°	5 min
Hamburger Patties - 4/lb frozen	350°	12 min
Hamburger Patties – 4/lb fresh	350°	8 min
Meatloaf – 4lb	325°	45 min
Bacon	350°	10 min
Roast Beef 20lb	325°	3 hr 15 min
Prime Rib 10lb	300°	1 hr 45 min
Stuffed Port chops	350°	45 min
Lamb chops	375°	40 min
Boneless Veal Roast	300°	3 Hr

COOK AND HOLD

Please refer to the operating instructions to program the 450 and 455 control units for Cook and Hold feature. The times and temperatures listed below are to be used as a starting guide. Your actual results may vary greatly depending on your elevation, atmospheric conditions, and other items being cooked at the same time.

Weight in lbs	TIME IN HOURS					
	Temperature: 200°F		Temperature: 250°F		Temperature: 300°F	
	Rare	Medium	Rare	Medium	Rare	Medium
8	2.5	3.5	1.5	2	1.25	1.5
9	2.75	3.75	1.75	2.25	1.25	1.75
10	3	4.25	2	2.5	1.5	1.75
11	3.25	4.5	2	2.75	1.5	1.75
12	3.5	5	2.25	3	1.5	2
13	3.75	5	2.5	3.25	1.5	2.25
14	4	5.75	2.5	3.5	1.75	2.5
15	4.25	6	2.75	3.5	2	2.5
16	4.5	6.25	2.75	3.75	2	2.75
17	4.75	6.5	3	4	2.25	2.75
18	4.75	6.75	3.25	4.25	2.25	3
19	5	7.25	3.25	4.25	2.25	3
20	5.25	7.5	3.5	4.5	2.5	3.25
21	5.5	7.75	3.5	4.75	2.75	3.5
22	5.75	7.75	3.5	4.75	2.75	3.5
23	6	8.25	3.75	5	2.75	3.75
24	6	8.75	3.75	5	2.75	3.75
25	6.25	9	4.25	5.5	3	4
26	6.5	9.25	4.25	5.5	3.25	4.25
27	6.75	9.5	4.25	5.75	3.25	4.25
28	7	9.75	4.5	6	3.25	4.25
29	7.25	10	4.75	6.25	3.5	4.5
30	7.25	10.25	4.75	6.25	3.5	4.5

CLEANING AND MAINTENANCE

Note: Disconnect line cord from power supply before cleaning or servicing.

Break-In Period

When oven is new, operate it for one hour at 375°F (191°C) before you begin your normal cooking operation. After cooling, wipe the interior, including the racks, with a clean damp cloth.

Exterior Cleaning

Establish a regular schedule. Any spills should be wiped off immediately.

1. The oven should always be allowed to cool sufficiently before any cleaning is attempted.
2. Wipe exposed, cleanable surface when cool with a mild detergent and hot water. Stubborn residue spots may be removed with a lightweight non-metallic scouring pad. Dry thoroughly with a clean cloth.
3. Stubborn stains may be removed by using a non-metallic abrasive pad, rubbing in the direction of the metal's grain. If necessary, for particularly heavy deposits, you may mix a thin paste of water and scouring powder, and apply it with a sponge. Be careful to apply light pressure and remember to rub only in the direction of the grain in the metal.
4. The control panel surface is easily cleaned with hot water, soap and a soft cloth. Do not use hard abrasives, solvent type materials or metallic scouring pads since these will scratch or cloud the surface.
5. Never spray the perforated areas or control panel with steam or water, as this will allow moisture into the control cavity, which could damage electrical components.

Interior Cleaning

Establish a regular cleaning schedule or wipe off, on the same day when spill overs occur.

1. Cool down oven.
2. Remove oven racks.
3. Lift rack guides on either side of oven off of holders. Racks and guides may be run through dishwasher while oven cavity is being cleaned.

4. Clean with soap and water using a non-metallic scouring pad, if necessary. If dirt and grease have accumulated, a mild ammonia solution or commercial oven cleaner such as Easy-Off or Dow may be used.
5. To reinstall, reverse procedure. Place the bottom of the rack guide against the cavity wall. Keeping the top pulled away from the wall lift up. Push the top of the guide against the wall and push down locking it into place.

Fan Area Maintenance

If aluminum foil is routinely used to wrap food or cooking vessels during oven operation, the following preventive maintenance must be performed:

1. Turn power switch to "Off" position.
2. Remove oven racks and rack guides.
3. Remove air baffle and clean any stains or deposits.
4. Check blower wheel and air baffle for particles of aluminum foil or food deposits. Clean fins of blower wheel. (Caution: edges of blower wheel fins may be sharp).
5. Reinstall the air baffle, rack guides and oven racks.

This simple practice, if performed on a regular basis will keep your U.S. Range oven operating at peak performance.

Motor Care

The motor on your convection oven is maintenance free since it is constructed with self-lubricating sealed ball bearings. It is designed to provide durable service when treated with ordinary care. We have a few suggestions to follow on the care of your motor. When the motor is operating, it cools itself internally by air entering at the rear of the motor case, provided proper clearance has been allowed.

Since the blower wheel is in the oven cavity it is at the same temperature as the oven. If the motor is stopped while the oven is hot, the heat from the blower wheel is conducted down the shaft and into the armature of the motor. This action could shorten the life of the motor.

CLEANING AND MAINTENANCE Continued

We recommend, at the end of the bake or roasting period, when the oven will be idle for any period of time, or before shutting down completely, that the doors be left open slightly. On the 45 series controllers press the COOL DOWN key on the control panel. The fan will continue to run until the oven cools down to 150°F (66°C).

At the end of the day, press the ON/OFF key, for the 45 series controllers to activate the Auto Cool Down feature. The fan will run on high until the oven cavity drops below 150°F (66°C). When the oven temperature drops below 150°F (66°C) the oven turns off. This feature protects the oven motor from pre-mature failure. On the 20 series controllers, push the rocker switch to COOL position. Once cool set the rocker switch to OFF.

NOTE: Optional cool-down will be achieved with the door open slightly.

 ***U.S. Range***[®]

U.S. Range  TM

Entretien du moteur

Le moteur de votre four à convection est sans entretien puisqu'il est fabriqué à l'aide de roulements à billes scellés lubrifiés. Il est conçu pour fonctionner longtemps lorsque celui-ci est entretenu de façon normale. Nous avons quelques suggestions à suivre concernant l'entretien de votre moteur. Lorsque le moteur fonctionne, il se refroidit lui-même par l'air entrant par la partie arrière du boîtier du moteur, si un dégagement approprié est maintenu.

Puisque la roue du ventilateur est dans la cavité du four, celle-ci est à la même température que le four. Si le moteur est arrêté pendant que le four est chaud, la chaleur provenant de la roue du ventilateur descend sur l'arbre d'entraînement, dans l'armature du moteur. Ceci peut raccourcir la durée de vie du moteur.

Nous recommandons, à la fin de la cuisson ou de la période de rôtissage, lorsque le four sera inactif pour un temps, ou avant de l'arrêter complètement, que la porte soit entre ouverte légèrement. Sur les contrôleurs de la série 45, appuyez sur la touche REFROIDISSEMENT située sur le panneau de contrôle. Le ventilateur continuera de fonctionner jusqu'au moment où la température du four est atteinte 150°F (66°C).

À la fin de la journée, sur les contrôleurs de la série Summit 45, appuyez sur la touche ALLUMER/ÉTEINDRE pour activer la fonction de refroidissement automatique. Le ventilateur du four s'activera à la haute vitesse jusqu'à ce que la température de la cavité de celui-ci tombe en deçà de 150°F (66°C). Lorsque la température sera en deçà de 150°F (66°C), le four s'arrêtera. Cette fonction protège le moteur du four des défaillances prématurées. Sur les contrôleurs de la série 20, appuyez sur l'interrupteur basculant à la position REFROIDISSEMENT. Une fois refroidi, réglez l'interrupteur basculant à la position FERMER.

REMARQUE : Un refroidissement idéal sera obtenu si la porte est légèrement ouverte.

REMARQUE : Déconnectez le cordon d'alimentation de la prise électrique avant d'effectuer l'entretien ou le nettoyage de l'appareil.

Période de rodage

Lorsque le four est neuf, faites fonctionner celui-ci pour une heure à 375°F (191°C) avant de commencer votre fonctionnement de cuisson normal. Après que celui-ci est refroidi, nettoyez l'intérieur, incluant les grilles, à l'aide d'un chiffon propre et humide.

Nettoyage extérieur

Etablissez un horaire régulier. Tout déversement doit être nettoyé immédiatement.

1. Laissez le four refroidir suffisamment avant que toute procédure de nettoyage puisse être entreprise.

2. Wipe exposed, cleanable surface when cool with a mild detergent and hot water. Les résidus tenaces peuvent être enlevés à l'aide d'un tampon (doux) à récureur non métallique. Sèches complètement à l'aide du chiffon propre.

3. Les tâches tenaces peuvent être enlevées en utilisant un tampon abrasif non métallique, en frottant dans le sens du grain du métal. Si nécessaire, pour les dépôts de grosses tailles, vous pouvez mélanger de l'eau ainsi que de la poudre récurrente, faire une pâte mince, et l'appliquer à l'aide d'une éponge. Veillez à appliquer une légère pression et n'oubliez pas de frotter seulement dans le sens du grain du métal.

4. La surface du panneau de contrôle est facile à nettoyer à l'aide de savon, d'eau chaude et d'un chiffon. Ne pas utiliser d'abrasifs, matériaux de types solvants ou de tampons à récureur en métal puisque ceux-ci peuvent égratigner ou endommager la surface.

5. Ne jamais vaporiser ou asperger la zone perforée ou le panneau de contrôle avec le la vapeur ou de l'eau, puisque ceci permet à l'humidité de pénétrer dans la cavité du contrôleur ce qui peut endommager les composants électriques.

Nettoyage intérieur

Etablissez un horaire de nettoyage régulier ou procédez au nettoyage, la journée même où le déversement est survenu.

1. Laissez refroidir le four.

2. Retirez les grilles du four.

3. Soulevez les supports des grilles, situés de chaque côté du four, de leur renfort. Les grilles ainsi que les guides peuvent être passés au lave-vaisselle en même temps que la cavité du four est nettoyée.

4. Nettoyez avec de l'eau et du savon ainsi qu'un tampon à récureur non métallique, si nécessaire. Si de la saleté ou de la graisse s'accumule, une solution d'ammoniaque douce ou un nettoyeur pour four comme du Easy-Off ou Dow peut être utilisé.

5. Pour réinstaller, faites la procédure inverse. Placez le fond du guide de la grille contre la cavité du mur. Gardez le dessus loin du mur soulever. Poussez le dessus du guide contre le mur et poussez vers le bas pour le verrouiller en place.

Entretien du ventilateur

Si du papier d'aluminium est constamment utilisé pour envelopper les aliments ou comme récipient de cuisson, l'entretien préventif suivant doit être fait :

1. Mettre l'interrupteur à la position « FERMER ».

2. Enlevez les grilles du four ainsi que les guides.

3. Enlevez la chicane d'air et nettoyez toute tache ou dépôt.

4. Vérifiez la roue du ventilateur ainsi que la chicane d'air pour des dépôts de particules d'aliments ou de papier d'aluminium. Nettoyez les ailettes de la roue du ventilateur. (Avertissement : les bords de la roue du ventilateur peuvent être coupantes).

5. Réinstallez la chicane d'air, les guides de grilles ainsi que les grilles du four.

Cette pratique simple, si effectuée sur une base régulière, gardera votre four U.S. Range selon un fonctionnement optimal.

Veillez vous référer aux directives d'utilisation pour programmer les appareils à contrôle 450 et 455, fonction de cuisson et maintien. Les temps et températures indiqués ci-dessous doivent être utilisés comme guide de départ. Les résultats peuvent varier grandement selon l'élevation, les conditions atmosphériques et si plusieurs articles différents sont cuits en même temps.

TEMPS EN HEURES						
Poids en livres	Température : 200°F		Température : 250°F		Température : 300°F	
	Saignant	À point	Saignant	À point	Saignant	À point
8	2.5	3.5	1.5	2	1.25	1.5
9	2.75	3.75	1.75	2.25	1.25	1.75
10	3	4.25	2	2.5	1.5	1.75
11	3.25	4.5	2	2.75	1.5	1.75
12	3.5	5	2.25	3	1.5	2
13	3.75	5	2.5	3.25	1.5	2.25
14	4	5.75	2.5	3.5	1.75	2.5
15	4.25	6	2.75	3.5	2	2.5
16	4.5	6.25	2.75	3.75	2	2.75
17	4.75	6.5	3	4	2.25	2.75
18	4.75	6.75	3.25	4.25	2.25	3
19	5	7.25	3.25	4.25	2.25	3
20	5.25	7.5	3.5	4.5	2.5	3.25
21	5.5	7.75	3.5	4.75	2.75	3.5
22	5.75	7.75	3.5	4.75	2.75	3.5
23	6	8.25	3.75	5	2.75	3.75
24	6	8.75	3.75	5	2.75	3.75
25	6.25	9	4.25	5.5	3	4
26	6.5	9.25	4.25	5.5	3.25	4.25
27	6.75	9.5	4.25	5.75	3.25	4.25
28	7	9.75	4.5	6	3.25	4.25
29	7.25	10	4.75	6.25	3.5	4.5
30	7.25	10.25	4.75	6.25	3.5	4.5

Les temps suivants et températures suivantes sont suggérés et fournis comme supports de départ. L'élevation, les conditions atmosphériques, les recettes, les moules de cuisson ainsi que les charges peuvent affecter les résultats.

PRODUITS	TEMPÉRATURE (°F)	TEMPS
Gâteaux		
Gâteau blanc en tranche – 5 lb	300°	20 min
Gâteau blanc en tranche – 6 lb	300°	22 min
Gâteau doré – 5 lb	325°	15 min
Gâteau étage au chocolat	300°	22 min
Gâteau des anges	375°	22 min
Carre au chocolat	350°	15 min
Pains		
Biscuits soda	400°	6 min
Petits pains à la levure	325°	24 min
Pains sucrés	325°	24 min
Pains de maïs	350°	22 min
Pain d'épice	300°	24 min
Chaussons aux pommes	350°	25 min
Choux à la crème	300°	25 min
Biscuits au sucre	325°	12 min
Biscuits aux brisures de chocolat	375°	8 min
Tarte aux pommes (fraîche)	375°	25 min
Tarte aux bleuets (fraîche)	350°	30 min
Tarte aux bleuets (congelé)	300°	50 min
Tarte à la citrouille (congelé)	300°	50 min
Pizza congelée	300°	6 min
Macaroni & au fromage	350°	15 min
Bâtonnets de poisson	350°	16 min
Poivrons farcis	350°	45 min
Patates au four	350°	60 min
Vianades		
Poulet	350°	45 min
Galettes de viande pour hamburger congelé - 10/lb	350°	8 min
Galettes de viande pour hamburger fraîches - 10/lb	350°	5 min
Galettes de viande pour hamburger congelé - 4/lb	350°	12 min
Galettes de viande pour hamburger fraîches - 4/lb	350°	8 min
Pain de viande	325°	45 min
Bacon	350°	10 min
Rôti de boeuf	325°	3 h 15
Côte de boeuf 10 lb	300°	1 h 15
Côtelettes porc farcies	350°	45 min
Côtelettes d'agneau	375°	40 min
Rôti de veau sans os	300°	3 h

Problème	Solution
Les gâteaux sont foncés sur les côtés, mais pas assez cuits au centre	Réduire la température
Les côtés des gâteaux sont trop bruns	Réduire le nombre de moules ainsi que la température
Les gâteaux sont trop pâles	Élever la température
Le gâteau s'effondre légèrement au centre	Cuire plus longtemps ou élever la température légèrement. N'ouvrez pas la porte trop fréquemment ou pour de longues périodes
Ondulations dans le gâteau	Surcharge des moules ou la pâte est trop mince
Les gâteaux sont trop gros	Réduire la température
Les tartes sont de couleur inégale	Réduire le nombre de tartes par grille ou éliminer l'utilisation de moules de cuisson
Les petits gâteaux craquent sur le dessus	Réduire la température
Les viandes sont brunies, mais ne sont pas cuites à l'intérieur	Réduire la température et rôtir plus longtemps.
Les viandes sont bien cuites et brunies	Réduire le temps de cuisson Limiter la quantité d'humidité
Le dessus des viandes devient dur	Réduire la température ou placer un moule avec de l'eau dans le four.
Les pains à mollets sont de couleur inégale	Réduire le nombre ou la taille des moules.

RECOMMANDATIONS DE PERFORMANCES

1. Préchauffez le four complètement (approximativement 20 minutes) avant l'utilisation.
2. En règle générale, la température doit être réduite de 25° à 50° comparativement à la température d'un four conventionnel/standard. Le temps de cuisson peut aussi être plus court, nous vous suggérons de vérifier constamment le premier lot préparé.
3. Comme guide, utilisez le tableau des temps et des températures suggérées. Ceux-ci varieront en fonction des facteurs comme la taille de la charge, la température ainsi que mélange de produit (particulièrement l'humidité) ainsi que selon la densité du produit.
4. Garder un registre des temps, des températures ainsi que des tailles des charges établies pour chaque produit. Une fois que ces paramètres auront été déterminés, ils seront similaires pour les charges subséquentes.
5. Si possible, commencez par cuire le produit demandant la température la plus basse et progressez graduellement vers la cuisson des produits demandant des températures plus élevées.
6. Si vous remarquez que le réglage de la température précédente est supérieur à 10° à celle nécessaire pour les charges subséquentes, appuyez sur **REFROIDISSEMENT** pour atteindre la température désirée avant de procéder au réglage d'une nouvelle température de cuisson.
7. Lors du chargement du four, travaillez aussi vite que possible pour empêcher une perte de chaleur dans le four.
8. Le four continuera de chauffer même si le temps est écoulé. Dès que possible, le four doit être retiré du four pour éviter que le produit ne soit trop cuit.

9. Centrez les moules sur les grilles et chargez chaque étage uniformément afin de permettre une circulation adéquate à l'intérieur de la cavité du four.
 10. Lors de la cuisson, pesez et mesurez le produit versé dans chaque moule pour assurer une cuisson égale.
 11. Lors de la cuisson de cinq moules, utilisez les positions de grilles 1, 4, 6 8 et 10 à commencer par le haut.
 12. Ne pas surcharger le four. Il est suggéré d'utiliser cinq moules pour la plupart des articles exemple : gâteaux, biscuits, pains mollets etc. Cependant, un maximum de (10 moules) peut être utilisé pour les bâtonnets de poissons, croquettes de poulet et hamburgers. Les temps de cuisson devront être ajustés.
 13. Les moules à muffins doivent être placés de l'arrière vers l'avant ou le côté restreint du moule vers l'avant du four. Ceci permet une cuisson égale du produit.
 14. Lors de la cuisson des casseroles congelées, préchauffez le four à 100°selon la température suggérée. Retournez à la température de cuisson lorsque le four est chargé. Ceci aidera à compenser à l'introduction d'une grande masse de produits congelés dans la cavité.
 15. Utilisez des allongeurs de moules ou des moules de 2 pouces (5,08 cm) de profondeur x 26 pouces (66,04 cm) pour les produits à base de pâte dont le poids est supérieur à 8 livres exemple : un renversé aux ananas.
 16. Ne jamais placer quoi que ce soit directement dans le fond de la cavité du four. Ceci entrave la circulation de l'aire et entraînera une cuisson inégale.
- REMARQUE : L'humidité s'échappera du pourtour de la porte lors de la cuisson de produits à haute teneur en humidité, comme le poulet, les patates etc. Ceci est normal.

Fahrenheit/Celsius

La lecture de la température par défaut est en Fahrenheit (F). Pour changer la lecture de la température en Celsius (C), appuyez et maintenez la « clé fantôme » située à la droite de la touche « Cuisson/En attente ». La lettre « F » s'affiche à l'écran. Continuez de maintenir jusqu'à ce que la lettre « C » s'affiche puis relâchez la « clé fantôme ».

Fonctionnement des contrôles

Le réglage de la température et du temps de cuisson se fait de la même manière. En appuyant sur la touche **RÉGLAGE**, l'écran de la température en faisant une rotation du cadran, situé sur le contrôle, jusqu'à ce que la température désirée s'affiche à l'écran. En appuyant sur la touche **RÉGLAGE** à nouveau, ceci activera le **VOYANT TEMPS** et permet à l'utilisateur de faire la sélection du temps de cuisson désiré, comme démontré à l'écran. En appuyant sur la touche de réglage une troisième fois, ceci termine la programmation.

Fonctionnement de la fonction Cook-N-Hold

En appuyant sur la touche **CUISSON/MAINTENIR**

(Contrôleurs 45 et 45+ seulement), ceci active le mode Cook-N-Hold et le voyant s'allume. Pour vérifier que la température de maintenance sélectionnée est appropriée, appuyez sur la touche **RÉGLAGE** deux fois. L'écran affichera la température de maintien. À la fin du cycle de cuisson, une alarme sonore se fera entendre, le message « **TERMINER** » s'affichera et clignotera et la minuterie changera pour un comptage « **PROGRESSIF** » du temps pour lequel le four sera maintenu. Le four changera à la température de maintien programmée. Le réglage de la température, de la température de maintien et du temps se font de la même façon. En appuyant sur la touche **RÉGLAGE**, ceci allumera le **VOYANT TEMP**. Par la suite, l'utilisateur règle la température en faisant une rotation du cadran, situé sur le contrôleur, jusqu'à ce que la température désirée s'affiche à l'écran. En appuyant sur la touche **RÉGLAGE** une seconde fois, ceci allumera le **VOYANT MAINTIEN** et permet à l'utilisateur de faire la sélection de la température de maintien désirée, comme démontré à l'écran. En appuyant sur la touche **RÉGLAGE** une troisième fois, ceci activera le **VOYANT TEMPS** et permet à l'utilisateur de faire la sélection du temps de cuisson désiré, comme démontré à l'écran. En appuyant sur la touche **RÉGLAGE** une quatrième fois, ceci termine la programmation.

Remarque : Pour désactiver la fonction de retour, réglez la température à 250° F (121°C) et le temps à zéro.

la programmation.

Appuyez sur la touche **RÉGLAGE** une autre fois pour quitter en utilisant le cadran puis, appuyez sur la touche **RÉGLAGE**. (le « temps » est réglé à 0 en usine). Réglez la température **TEMPÉRATURE** se fermentera et le **VOYANT TEMPS** s'allumera le cadran puis, appuyez sur la touche **RÉGLAGE**. Le **VOYANT** température sera affichée. Réglez la température en utilisant deux secondes. Le **VOYANT TEMPÉRATURE** s'allumera et la retour, appuyez et maintenez la touche **RETOUR** pour Pour régler ou changer les réglages de la fonction de

Réglage de la fonction de retour

la sonde centrale doit être débranchée du connecteur. temps pour lequel le four est maintenu. Pour arrêter ce cycle, l'affichage changera pour un comptage « **PROGRESSIF** » du se fera entendre pour 3 secondes. Automatiquement, « **TERMINER** » s'affichera et clignotera et une alerte sonore Lorsque la température centrale est atteinte, le message maintien varie entre 140°F (60°C) à 210°F (99°C).

la température de maintien par défaut est de 150°F (66°C) ou **REMARQUE** : Si la température de maintien n'est pas réglée, la dernière température programmée. (La température de façon.

l'utilisateur de régler la température de maintien de la même nouveau allumera le **VOYANT MAINTIEN** ce qui permet à température désirée. Appuyer sur la touche de réglage à une rotation du cadran, situé sur le contrôleur, jusqu'à la et la température du four peut être réglée en effectuant **RÉGLAGE** à nouveau. Le **VOYANT TEMPÉRATURE** s'allumera Pour régler la température du four, appuyez sur la touche

et démarre le processus de cuisson. touche **RÉGLAGE**, ceci emmagasine la température centrale température désirée s'affiche à l'écran. En appuyant sur la rotation du cadran, situé sur le contrôleur, jusqu'à ce que la Par la suite, l'utilisateur règle la température en faisant une **CENTRALE** s'allumera.

L'option de la sonde centrale (contrôleur 45+ seulement) est activée seulement si celle-ci est branchée au connecteur. Pour régler la température centrale, procédez au branchement, préalable, de la sonde centrale au connecteur. L'affichage indiquera « 100 » et le **VOYANT TEMPÉRATURE**

Fonctionnement de la sonde centrale

trois secondes. appuyez et maintenant la touche **DÉMARRAGE/ARRÊT** pour « **TERMINER** ». Pour arrêter le cycle de temps en progression, terminez, appuyer cette touche annulera le message démarre le cycle de la minuterie. Lorsque le cycle est En appuyant sur la touche **DÉMARRAGE/ARRÊT** ceci

Touches du contrôleur

En appuyant sur la touche ALLUMER/ÉTEINDRE ceci activera le four.

En appuyant sur la touche VOYANT ceci allumera les voyants pour une période de 30 secondes. Les voyants fonctionneront si le contrôleur est en mode arrêt. Lorsque la porte est ouverte, le voyant s'allumera et restera allumé pour 30 secondes.

En appuyant sur la touche VENTILATEUR HAUT ceci activera le ventilateur à basse vitesse et le voyant sera allumé.

En appuyant sur la touche VENTILATEUR BAS ceci activera le ventilateur à haute vitesse et le voyant sera allumé.

En appuyant sur la touche VENTILATEUR IMPULSION ceci

activera le ventilateur à basse vitesse et le voyant sera allumé.

Le ventilateur sera activé pour une période de 30 secondes puis s'arrêtera pour une période de 30 secondes et continuera ce cycle.

En appuyant sur la touche RETOUR ceci permettra de refroidir la cavité du four à une température préprogrammée, voir :

Réglage de la fonction de « RETOUR ». Le four retournera automatiquement en mode retour après le temps préprogrammé non utilisé. Le message « RETOUR » s'affichera à l'écran. Il s'agit d'un dispositif d'économie d'énergie.

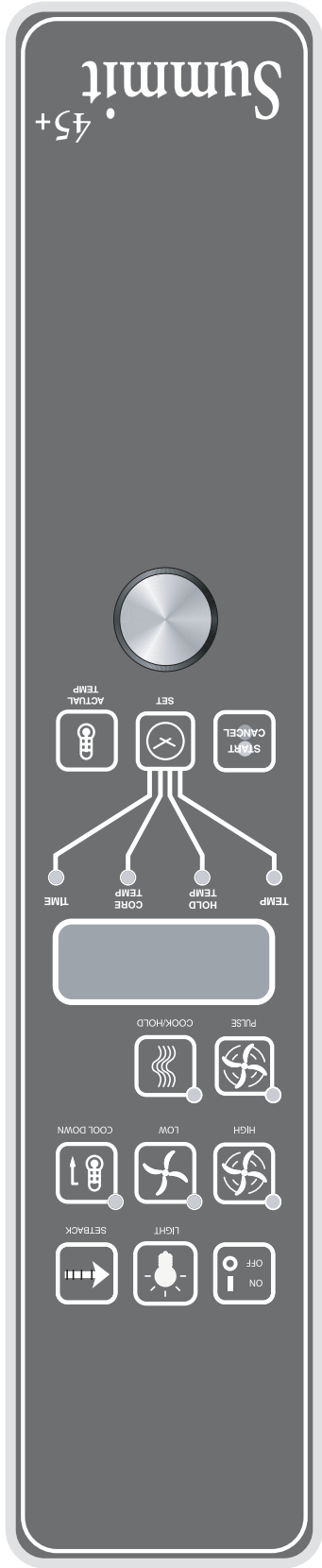
En appuyant sur la touche REFROIDISSEMENT ceci désactivera

la fonction de chaleur, activera le ventilateur à haute vitesse et allumera le voyant. Un message « PORTE OUVERTE » s'affichera à l'écran si la porte est fermée, demandant à l'utilisateur d'ouvrir la porte légèrement. Avec la porte légèrement ouverte, le message « FROID » s'affichera à l'écran. La fonction de refroidissement fonctionnera lorsque la porte sera fermée ou ouverte légèrement.

Un refroidissement idéal sera obtenu si la porte est légèrement

ouverte. Lorsque la porte est complètement ouverte, le mode de refroidissement sera désactivé et le message « PORTE » s'affichera à l'écran. Il s'agit d'un dispositif de sécurité breveté. En appuyant de nouveau sur la touche REFROIDISSEMENT, ceci désactivera le voyant et arrêtera ce mode. En appuyant sur la touche ALLUMER/ÉTEINDRE, ceci arrêtera la fonction de refroidissement. La fonction de refroidissement n'est pas activée lors de la cuisson.

Lorsque l'interrupteur ALLUMER/ÉTEINDRE est enfoncé, ceci arrêtera le four et si le four est à plus de 200°F (93°C), le four entrera en mode REFROIDISSEMENT AUTOMATIQUE. En mode refroidissement automatique, le ventilateur du four s'activera jusqu'à ce que la température de la cavité de celui-ci tombe en dessous de 150°F (66°C). Pendant ce temps, le message « AUTO » s'affichera à l'écran. Lorsque la température sera en dessous de 50°F (66°C), le four s'arrêtera. Cette fonction protège le moteur du four des défaillances prématurées. Un refroidissement idéal sera obtenu si la porte est légèrement ouverte.



Température

La température varie entre 150° et 500°F (66°C à 250°C) et est contrôlée en effectuant une rotation du cadran de la température ainsi qu'en alignant l'indicateur à la position désirée.

Minuterie

La minuterie est réglée en effectuant une rotation du cadran dans le sens horaire, en alignant l'indicateur selon le temps désiré. Le cadran de la minuterie varie entre 2 minutes et 60 minutes. À la fin du cycle, une alarme sonore se fera entendre. L'alarme peut être arrêtée en effectuant une rotation du cadran dans le sens antihoraire à la position arrêt comme présentée sur le panneau de contrôle.

REMARQUE : La minuterie ne contrôle pas la fonction de chaleur.

Contrôle électronique muni de la fonction de Cook-N-Hold Summit 45 et contrôle électronique muni d'une sonde centrale Cook-N-Hold Summit 45+ (modèle fabriqué avant juin 2012)

En mode arrêt

Lorsque le contrôleur est arrêté, le message « arrêt » s'affichera à l'écran. En appuyant sur la touche ALLUMER/ÉTEINDRE ceci activera le contrôleur en mode démarrage.

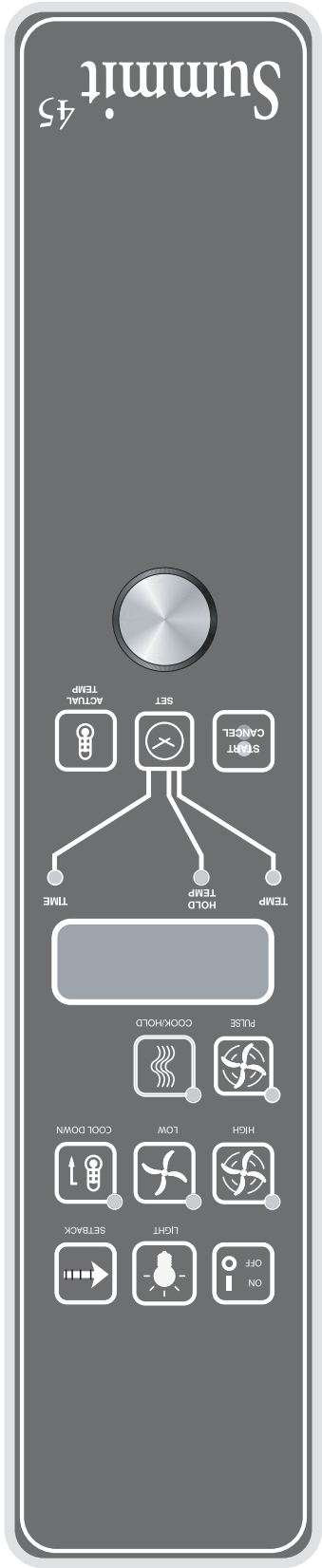
Au démarrage

En mode de démarrage, le contrôleur réchauffera selon les derniers réglages de la température, du temps ainsi que de la vitesse du ventilateur utilisés. Les réglages par défaut réglés en usine sont de 350°F (177°C) pour la température, 30 minutes pour la minuterie et le ventilateur à basse vitesse. L'affichage indiquera « BA5 » lorsque la température du four est inférieure à la température réglée. Lorsque la cavité du four atteint la température réglée et que celui-ci est prêt à l'utilisation, le message « CHARGE » s'affichera à l'écran.

REMARQUE : Si la température du four excède la température demandée, le message « HAUT » s'affichera à l'écran. Si la température du four excède 575°(302°C) le message « AIDE » s'affichera à l'écran et un signal sonore se fera entendre. Il s'agit d'un dispositif de sécurité.

Si la porte est ouverte lors du mode de cuisson, le ventilateur ainsi que la fonction de chaleur s'arrêteront et le message « PORTE » s'affichera à l'écran jusqu'à ce que celle-ci soit fermée. Il s'agit d'un dispositif de sécurité breveté.

En appuyant sur la touche TEMP. ACTUELLE ceci affichera à l'écran la température actuelle du four avec un incrément de 5°.



Panneau de contrôle rigide avec minuterie électromécanique Summit 20

En mode arrêt

Lorsque le four est éteint, il n'y a aucun voyant ou aucun indicateur d'allumés.

Démarrage

Appuyez sur l'interrupteur basculant cuisson/arrêt/refroidissement à la position « cuisson » Le voyant vert s'allumera vous indiquant que le four est en fonction en mode cuisson.

La température du four augmentera pour atteindre la température réglée sur le cadran du thermostat. Le voyant jaune s'allumera vous indiquant que la fonction de chaleur est activée. Puisque le cycle de chaleur s'activera et se désactivera, pour maintenir le réglage de la température, ce voyant s'allumera et s'éteindra en conséquence.

La porte doit être fermée pour que le four puisse fonctionner en mode cuisson. L'ouverture de la porte arrêtera la fonction de chaleur et le moteur ainsi que le ventilateur s'arrêteront. *Il s'agit d'un dispositif de sécurité.*

Vitesse du ventilateur

La vitesse du ventilateur peut être réglée à élever (1725 T/M) ou basse (1150 T/M). La vitesse du ventilateur est contrôlée par l'interrupteur basculant situé à gauche identifié par haut et bas.

Voyants

Les voyants du four sont activés en appuyant sur l'interrupteur de lampe situé sur le panneau de contrôle. Il s'agit d'un interrupteur à rappel et ces voyants resteront allumés aussi longtemps que celui-ci sera maintenu en position ouvert. Les voyants fonctionneront lorsque le four est branché à l'alimentation électrique.

Refroidissement

En appuyant sur l'interrupteur basculant cuisson/arrêt/refroidissement à la position refroidissement, ceci met en marche le ventilateur ainsi que le moteur pour permettre le refroidissement de la cavité du four. La porte doit être légèrement ouverte pour que le ventilateur ainsi que le moteur démarrent. À ce mode, la fonction de chaleur n'est pas activée.

Un refroidissement idéal sera obtenu si la porte est légèrement ouverte. Une trop grande ouverture de la porte arrêtera le ventilateur ainsi que le moteur. *Il s'agit d'un dispositif de sécurité breveté.*

En appuyant sur le bouton à la position arrêt interrompra le processus de refroidissement et arrêtera le four complètement.



Raccordements électriques.

Avant de procéder au raccordement électrique, une vérification de la plaque signalétique devrait être faite pour s'assurer que les caractéristiques électriques et d'alimentations électriques de l'appareil sont conformes.

L'installation du câblage doit être faite et conforme à la norme U.L. 197 Commercial Electric cooking Appliance Standards, Local and/or National electrical Code, ANSI/NFPA 70-1990.

1. Dimension du panneau de contrôle

2. Protection contre la surcharge

3. Type de câblage

4. Grosseur du câble

5. Limitations de température des câbles

6. Mode de raccordement (câble, conduit, etc.)

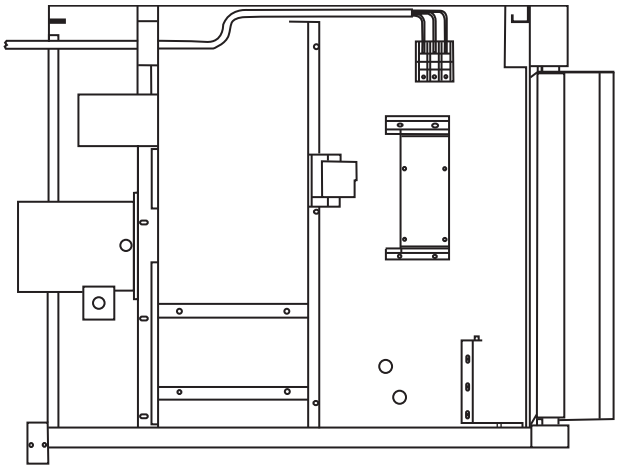
La conduite de raccordement entrera à l'arrière de l'appareil et doit être reliée au bloc de jonction (voir le schéma de gauche). Le bloc de jonction est accessible en enlevant le couvercle inférieur avant. Le retrait du panneau latéral n'est pas nécessaire.

La tension d'entrée ainsi que de phasage doivent correspondre à la tension et au phasage de l'appareil.

Faites une inspection visuelle des connexions électriques. Mettez l'appareil sous tension. La portée est câblée de façon standard pour les connexions triphasées. S'il est nécessaire de changer pour une phase unique, veuillez vous référer au schéma électrique situé à l'arrière du four. La tension ainsi que le raccordement doivent correspondre.

Panne électrique

Dans l'éventualité d'une panne électrique, aucune tentative d'utilisation, de ce four, ne doit être faite.



Comme tout autre excellent appareil fabriqué avec précision, votre four doit être entretenu sur une base régulière. Des inspections périodiques, faites par votre marchand ou une agence d'entretien qualifiée, sont recommandées.

Plaque signalétique

Lors des communications avec le fabricant ou votre centre de services local autorisé par le fabricant concernant des problèmes relatifs au service ou pour les pièces de remplacement, assurez-vous d'avoir les informations concernant le numéro du modèle de l'appareil (incluant les lettres et numéros du préfixe et du suffixe) ainsi que le numéro de série correspondant à la garantie. La plaque signalétique est située sur la partie inférieure du panneau latéral gauche.

INSTALLATION

Zones de dégagement

Le dégagement des murs combustibles et non combustibles est de : 1 po (25 mm) sur les côtés et de 3 po (76 mm) à l'arrière.

REMARQUE : Un dégagement approprié doit être maintenu pour l'entretien ainsi qu'une utilisation adéquate.

Installation des fours sur roues

A. Pour un appareil sur roues, un connecteur conforme à la norme ANSI Z21.69, norme pour les connecteurs d'appareils mobiles, doit être utilisé lors de l'installation. Des moyens adéquats doivent être mis en place pour permettre à l'appareil d'être déplacé sans déranger le câblage du connecteur.

B. Les roues avant de l'appareil sont munies de freins pour limiter le mouvement du four sans déranger le câblage du connecteur.

C. Le dispositif de retenue peut être fixé à l'appareil, près de l'entrée électrique. Si le dispositif de retenue est déconnecté, veuillez vous assurer de reconnecter celui-ci après avoir replacé le four à son emplacement, installation, d'origine.

Installation des modèles à four double

- A. Positionnez la pièce dans l'ouverture de la patte inférieure et donnez de petits coups sur celle-ci pour qu'elle s'insère dans la patte jusqu'au collet. Attachez des pattes de six pouces (6 po, 15,24 cm, 152 mm) dans la section inférieure du four. Levez l'appareil ou couchez-le sur le côté gauche. Placez les pattes avant du four de façon à ce qu'elles s'alignent aux quatre (4) trous des boulons de fixation. Sécurisez la patte au cadre du four en utilisant quatre (4) boulons 3/8-16 x 3/4 (0,95 cm - 40,64 x 1,90 cm) ainsi que les rondelles fournies. Répétez cette étape à l'arrière de l'appareil.
- B. Enlevez le couvercle inférieur avant du double four (situé sous les portes du four). Levez le four supérieur à son emplacement et alignez les côtés ainsi que l'arrière de l'appareil. Fixez l'arrière de l'appareil, à l'aide du support de superposition, en utilisant six (6) vis mécaniques de 1/4-20 (0,63 cm - 50,80 cm), les rondelles d'arrêts ainsi que les écrous (fournis).
- C. Installez les pièces d'interconnexions du conduit, en suivant attentivement les directives contenues dans l'ensemble de superposition. Portez une attention particulière aux types de fours que vous superposez et assurez-vous de suivre les directives correspondantes.
- D. Vérifiez le niveau de l'appareil aux quatre (4) côtés (en utilisant un niveau à bulle, sur la grille à l'intérieur du four).
- E. Maintenez le dégagement aux matières combustibles.

DIMENSIONS ET CARACTÉRISTIQUES, MODÈLE SEM 100/200

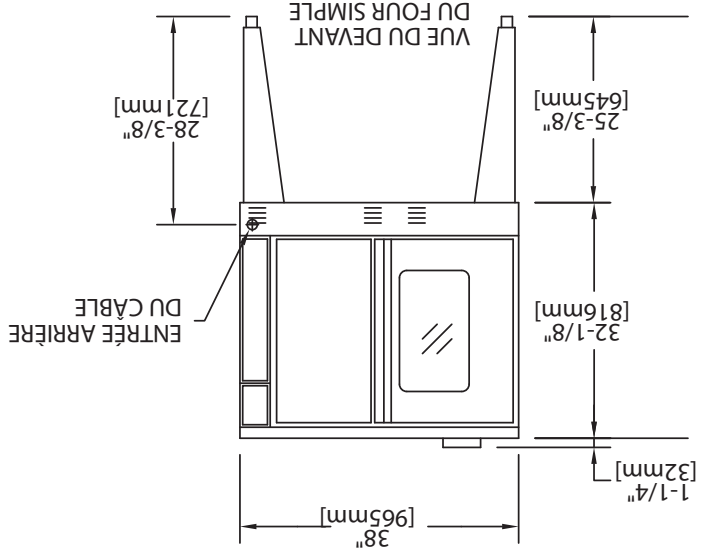
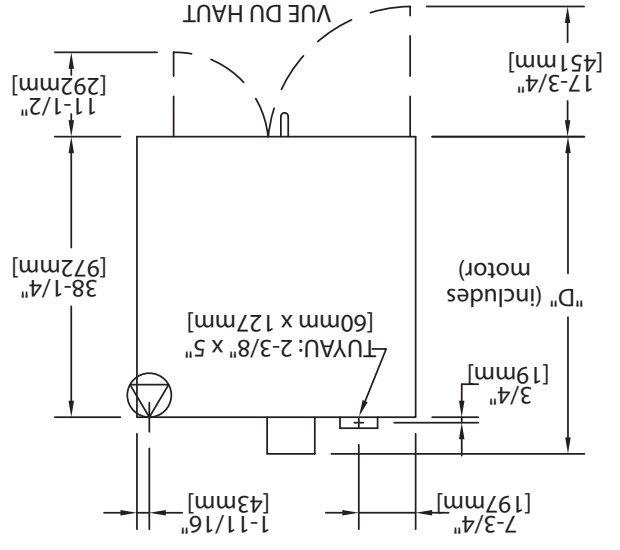
(Modèles fabriqués avant juin 2012)

Modèle	Intérieur Dimensions : en (mm)			Extérieur Dimensions : En (mm)			Poids à la livraison	Livres/ kilogramme	Pied carré
	W	H	D	W	H	D			
SEM-100S1	29 (736)	24 (610)	24 (610)	38 (965)	57-1/2 (1461)	39-1/4(997)	510/232	42	42
SEM-100D1	29 (736)	24 (610)	28 (711)	38 (965)	57-1/2 (1461)	43-1/4(1099)	510/232	42	42
SEM-200S1	29(736)	24(610)	24(610)	38(965)	70-1/2 (1791)	39-1/4(997)	1024/464	84	84
SEM-200D1	29(736)	24(610)	28 (711)	38(965)	70-1/2 (1791)	43-1/4(1099)	1024/464	84	84

Modèle	kW total	Intensités nominales par lignes, (incluant un moteur de ventilateur 3/4 HP)																
		208 V/1 Ph			240 V/1Ph			208 V/3 Ph			240 V/3 Ph			460 V/3 Ph				
Four simple	10.4	50	43	30	30	30	X	Y	Z	X	Y	Z	X	Y	Z	X	Y	Z
Four double	10.4	50	43	30	30	30	28	28	28	26	26	26	24	24	24	14	14	14
four																13	14	13

* Les modèles à four double sont fournis avec des branchements électriques individuels

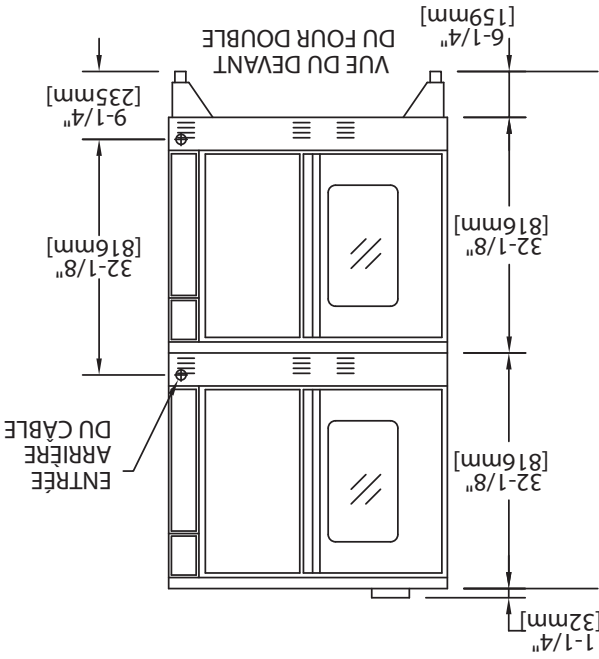
Caractéristiques électriques incluant les exigences du moteur, 3/4, HP, moteur 2 vitesses : 1725/1140 T/M, (60 Hz); ou 1440/950 T/M (50Hz) veuillez préciser les caractéristiques électriques lors de la commande.



Numéro de pièce 1955204 Rév. 2 (07/13/12)

Il existe de nombreux codes locaux et il est de la responsabilité du propriétaire que ces appareils soient conformes à ces codes. Ces appareils sont conçus pour une utilisation commerciale par un personnel ayant reçu une formation.

Remarques d'installation :			
Combustible & non combustible			
zones de dégagement aux murs :			
Côtés	1 pouce (25 mm, 1 pouce	Arrière	3 pouces (76 mm, 2,54 cm)
Zones de dégagement d'entrée En (mm)			
Emballer	44-1/2 (1130)	Non	32-1/2 (826)
emballage			



DIMENSIONS ET CARACTÉRISTIQUES, MODÈLE SUME 100/200

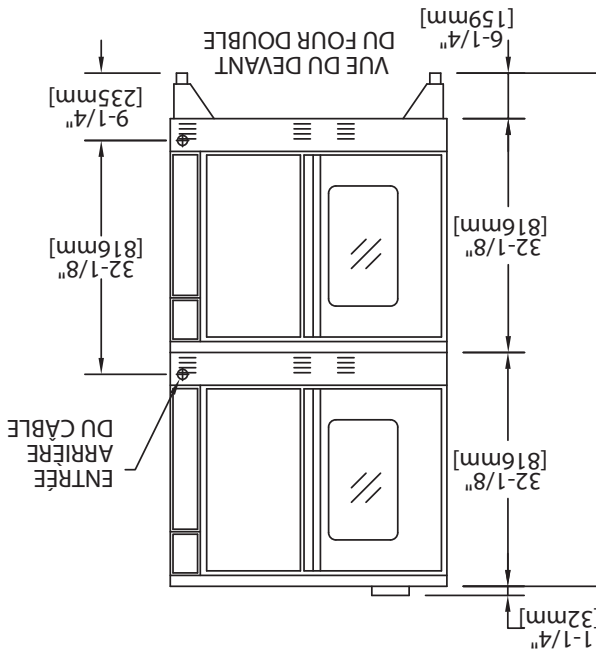
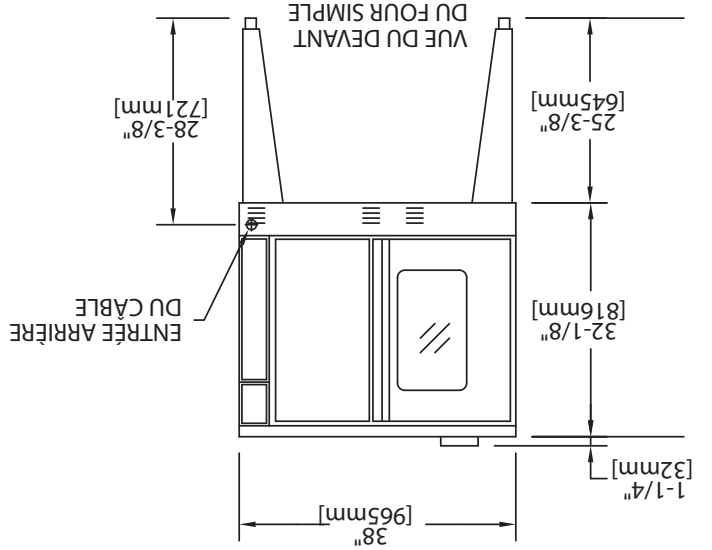
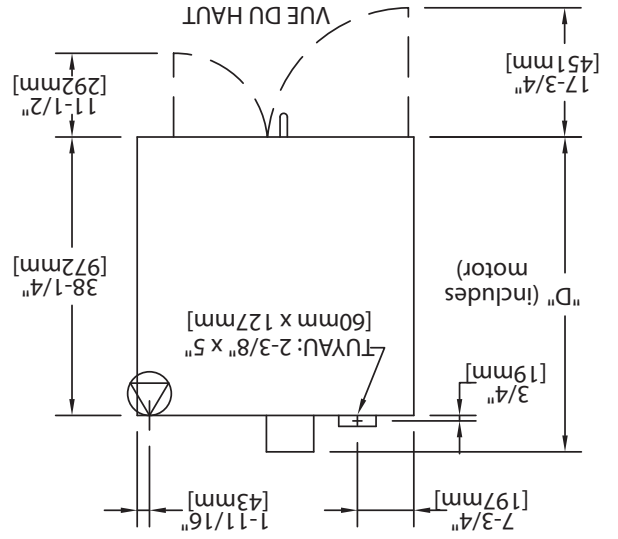
Modèle	Intérieur Dimensions : en (mm)				Extérieur Dimensions : En (mm)			Poids à la livraison	Livres/ kilogramme	Pied carré
	W	H	D	W	H**	D(w/moteur)				
SUME-200	29(736)	24(610)	24(610)	38(965)	70-1/2 (1791)	41-1/4(1048)	1500/682			80
SUME-100	29(736)	24(610)	24(610)	38(965)	57-1/2 (1461)	41-1/4(1048)	750/341			80

**Height with or without standard casters. Height with low profile casters (double deck) is 68-1/2" (1740mm).

Modèle	kW total	Intensités nominales par lignes, (incluant un moteur de ventilateur 3/4 HP)																
		208 V/1 Ph			240 V/1Ph			208 V/3 Ph			240 V/3 Ph			460 V/3 Ph				
Four simple	10.4	50	43	30	30	30	X	Y	Z	X	Y	Z	X	Y	Z	X	Y	Z
Chaque four *double	10.4	50	43	30	30	30	X	Y	Z	X	Y	Z	X	Y	Z	X	Y	Z
four																		

* Les modèles à four double sont fournis avec des branchements électriques individuels.

Caractéristiques électriques incluant les exigences du moteur. 3/4 HP, moteur 2 visesses : 1725/1140T/M, (60 Hz); ou 1440/950 T/M (50Hz) veuillez préciser les caractéristiques électriques lors de la commande.



Remarques d'installation :			
Combustible & non combustible			
Zones de dégagement aux murs :			
Côtés	1 pouce (25 mm), 3/8"	Arrière	3 pouces (76 mm), 3/4"
Zones de dégagement d'entrée En (mm)			
Emballer	44-1/2 (1130)	Non	32-1/2 (826)
emballage			

Il existe de nombreux codes locaux et il est de la responsabilité du propriétaire que ces appareils soient conformes à ces codes. Ces appareils sont conçus pour une utilisation commerciale par un personnel ayant reçu une formation.

2	INFORMATION IMPORTANTE.....
4	MODÈLE SUME 100/200 DIMENSIONS ET CARACTÉRISTIQUES, MODÈLE SEM 100/200 (fabriqué avant 12/06).....
5	INTRODUCTION.....
6	INSTALLATION.....
6	Plaques signalétique.....
6	Zones de dégagement.....
6	Installation des fours sur roues.....
6	Installation des modèles à four double.....
7	Raccordements électriques.....
7	Panne électrique.....
8	DIRECTIVES D'UTILISATION.....
8	Panneau de contrôle rigide avec minuterie électromécanique Summit 20.....
8	En mode arrêt.....
8	Démarrage.....
8	Vitesse du ventilateur.....
8	Voyants.....
8	Refroidissement.....
8	Température.....
9	Minuterie.....
9	Contrôle électronique muni de la fonction Cook-N-Hold Summit 45 et contrôle électronique muni d'une sonde centrale Cook-N-Hold & Summit 45+.....
9	En mode arrêt.....
9	Au démarrage.....
9	Touches du contrôleur.....
10	Fahrenheit/Celsius.....
10	Fonctionnement des contrôles.....
11	Fonctionnement de la fonction Cook-N-Hold.....
11	Fonctionnement de la sonde centrale.....
11	Réglage de la fonction de retour.....
12	RECOMMANDATIONS DE PERFORMANCES.....
13	PROBLÈMES/SOLUTIONS.....
14	GUIDE DE CUISSON.....
15	CUISSON ET MAINTIEN.....
16	ENTRETIEN ET NETTOYAGE.....
16	Période de rodage.....
16	Nettoyage extérieur.....
16	Nettoyage intérieur.....
16	Entretien du ventilateur.....
16	Entretien du moteur.....

Garder l'appareil dans un endroit exempt de combustibles.

AVERTISSEMENT :
Ce produit contient des éléments chimiques reconnus par l'État de la Californie comme étant cancérogènes et/ou pour causer des déficiences congénitales ainsi que plusieurs autres problèmes de reproduction. L'installation ainsi que l'entretien de ce produit peuvent vous exposer à des particules aériennes de laine de verre/fibres de céramique. L'inhalation de particules aériennes de laine de verre/fibres de céramique est reconnue par l'État de la Californie comme étant cancérogène.



MANUEL D'OPÉRATION ET D'INSTALLATION « THE SUMMIT » FOUR ÉLECTRIQUE À CONVECTION



POUR VOTRE SÉCURITÉ :
NE PAS ENTREPOSER OU UTILISER
D'ESSENCE
OU TOUT AUTRE VAPEURS INFLAMMABLES
OU LIQUIDES À PROXIMITÉ DE
CET APPAREIL OU DE TOUT AUTRE
APPAREIL

AVERTISSEMENT :
UNE INSTALLATION, UN AJUSTEMENT, UNE
ALÉRATION, UN SERVICE OU UN ENTRETIEN
INADÉQUAT PEUT ENGENDRER DES DOM-
MAGES À L'APPAREIL, DES BLESSURES OU
MÊME ENTRAÎNER LA MORT. VEUILLEZ LIRE
LES DIRECTIVES D'INSTALLATION,
D'UTILISATION ET D'ENTRETIEN
SÉRIEUSEMENT
AVANT DE PROCÉDER À L'INSTALLATION OU
À L'ENTRETIEN DE CET ÉQUIPEMENT



VEUILLEZ LIRE TOUTES LES SECTIONS DE CE MANUEL
ET LE CONSERVER POUR UNE UTILISATION FUTURE.
CE PRODUIT FUT HOMOLOGUÉ COMME UN
ÉQUIPEMENT POUR LES INDUSTRIES CULINAIRES
ET DOIT ÊTRE INSTALLÉ PAR UN PROFESSIONNEL
COMME INDiqué.

L'INSTALLATION AINSI QUE LES CONNEXIONS
ÉLECTRIQUES DOIVENT ÊTRE CONFORMES AUX
CODES ET NORMES EN VIGUEUR :

AU CANADA - LE CODE CANADIEN DE L'ÉLECTRICITÉ
PARTIE 1 ET/OU LES NORMES LOCALES. AUX ÉTATS-
UNIS - L'ÉDITION EN VIGUEUR DE CODE NATIONAL
ELECTRICAL CODE ANSI/NFPA

ASSUREZ-VOUS QUE L'ALIMENTATION ÉLECTRIQUE
EST CONFORME AVEC LES CARACTÉRISTIQUES
ÉLECTRIQUES COMME DÉMONTRÉ SUR LA PLAQUE
SIGNALÉTIQUE.

Les utilisateurs sont avertis que l'entretien ainsi que les réparations doivent être faits par un fournisseur de services autorisés utilisant des pièces de rechange d'origines de Garland. Garland n'aura aucune obligation à l'égard de tout produit ayant été inadéquatement installé, ajusté ou utilisé ou inadéquatement entreteu conformément aux codes nationaux et locaux ou selon les directives d'installations fournies avec le produit, ou tout produit dont le numéro de série est abîmé, effacé ou enlevé ou ayant été modifié ou réparé en utilisant des pièces non d'origine ou faites par un fournisseur de service non autorisé. Pour une liste des fournisseurs de services autorisés, référez-vous au site internet de Garland à l'adresse suivante <http://www.garland-group.com>. L'information contenue dans le présent document (incluant le design ainsi que les spécifications de pièces) peut être remplacée et peut faire l'objet de changement, et ce, sans préavis.

Fabriqué par :
Cleveland Range
1333 East 179th Street
Cleveland, Ohio 44110 E-U

GARLAND COMMERCIAL RANGES, LTD.
1177 route Kamato, Mississauga (Ontario) L4W 1X4
CANADA
Téléphone : 905-624-0260
TÉLÉCOPIEUR : 905-624-5669