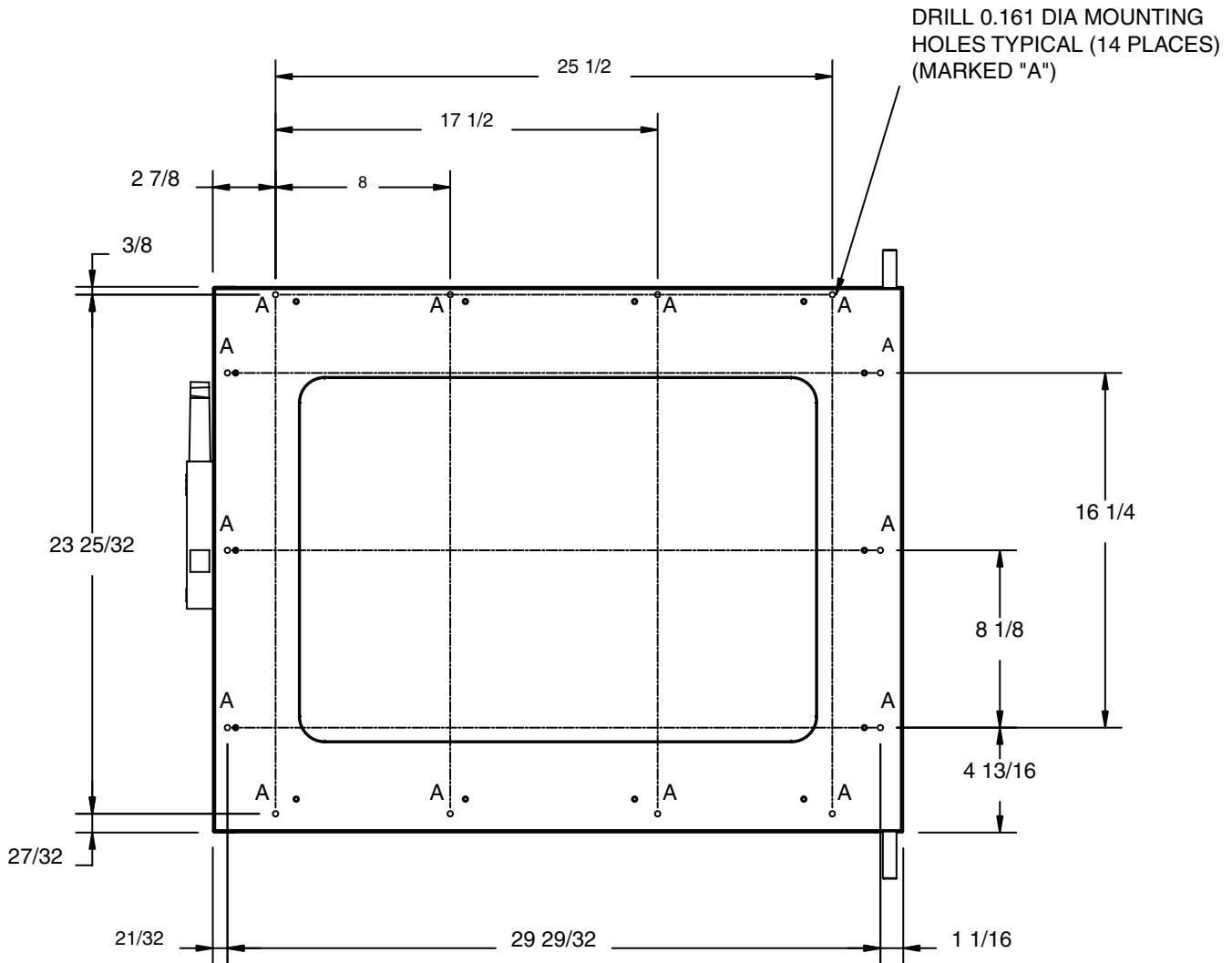


INSTRUCTIONS

- STEP 1 - MAKE SURE OVEN IS OFF AND COOLED DOWN.
- STEP 2 - OPEN DOOR AND REMOVE OLD SEAL AND BRACKETS FROM DOOR.
CLEAN INSIDE OF DOOR OF ANY SILICONE, GREASE OR DIRT.
- STEP 3 - A CARDBOARD TEMPLATE IS PROVIDED INSIDE SHIPPING BOX. IT IS A PIECE OF CORRUGATED CARDBOARD FOLDED ACCORDION STYLE. PLEASE UNFOLD AND USE POSITIONING INSTRUCTIONS WRITTEN ON THE TEMPLATE ITSELF. USE TAPE TO HOLD TEMPLATE TO DOOR FRAME.
- STEP 4 - MARK HOLES AS INDICATED ON TEMPLATE (AND INDICATED BELOW) AND DRILL WITH APPROPRIATE SIZE BIT.
- STEP 5 - GO TO (PN 4523295) INSTRUCTION SHEET 2, MP NEW GASKET OLD STYLE DOOR

OPTIONAL METHOD:

- STEP 1 - FOLLOW STEPS 1 & 2 ABOVE.
- STEP 2 - DRILL ONE MOUNTING HOLE FOR EACH OF THE FOUR BRACKETS.
- STEP 3 - USING THE GASKET FRAMES AS TEMPLATES, MARK AND DRILL THE REMAINING HOLES.
SEE INSTRUCTION SHEET 2 (P.N. 4523295) FOR CORRECT ORIENTATION.
- STEP 4 - GO TO (P.N. 4523295) INSTRUCTION SHEET MP 2, NEW GASKET OLD STYLE DOOR



VIEWED FROM INSIDE OF DOOR