



**Pyro Deck
Gas Deck Ovens**

models **GPD48, GPD60**

PARTS LIST

Phone (US & Canada): 1 800 427 6668

Fax (US & Canada): 1 800 361 7745

www.Garland-Group.com

Quality Factory Replacement Parts for the World's Finest Foodservice Equipment Solutions

This parts list is updated regularly. Please find the most current revision
on our website @ www.Garland-Group.com



**Pyro Deck
Gas Deck Ovens**

models **GPD48, GPD60**

Table of Contents

Burner Components..... 4

Oven Interior Components..... 6

Oven Door Components..... 8

Double Stack Plumbing Components 10

Oven Control Components..... 12

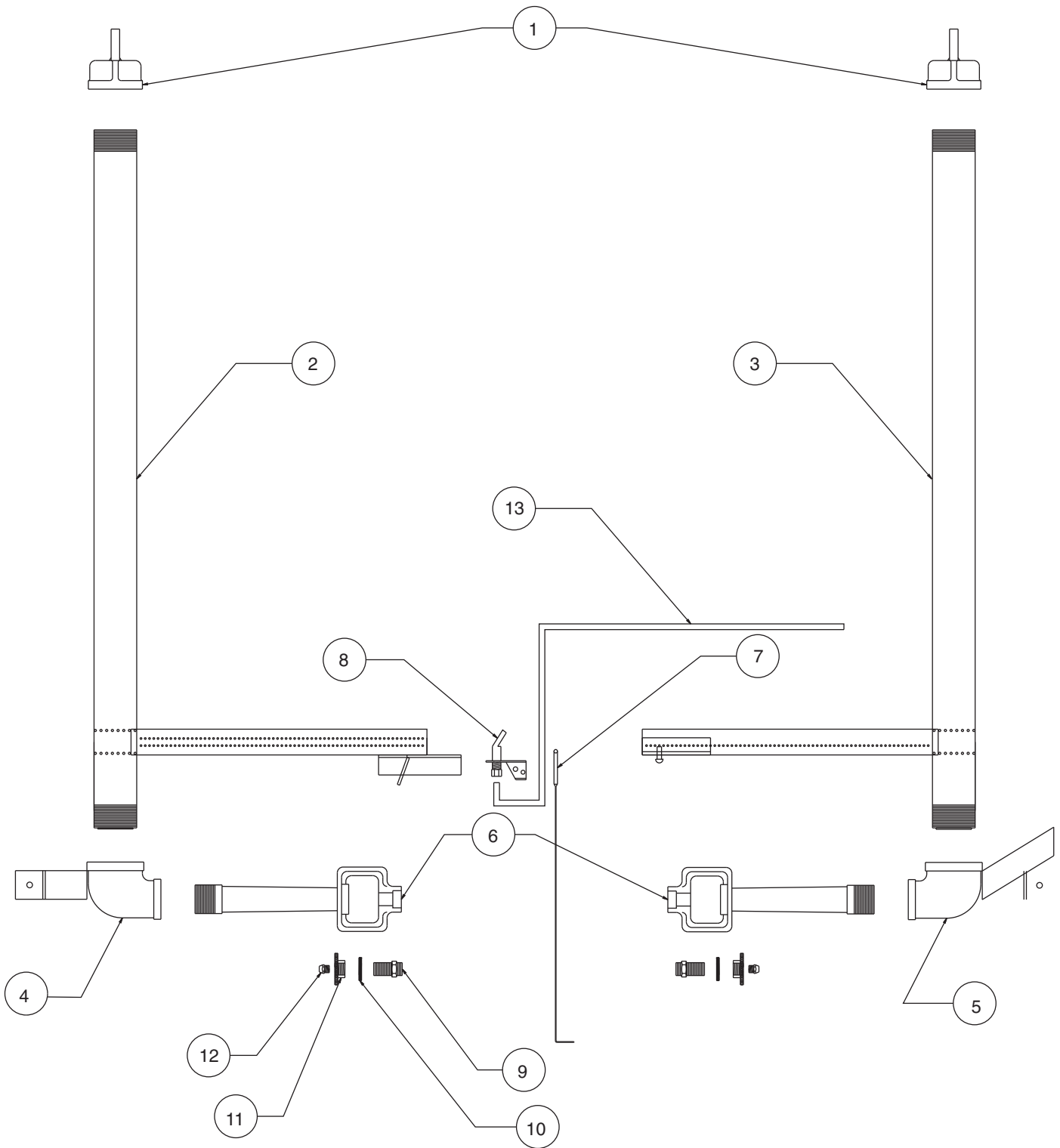
Combustion Chamber Door Components..... 14

Exterior Components - Front 16

Exterior Components - Side 18

Revision History 20

BURNER COMPONENTS



SK99-047
REV . 0

GARLAND PARTS IDENTIFICATION

Models GPD48 & GPD60

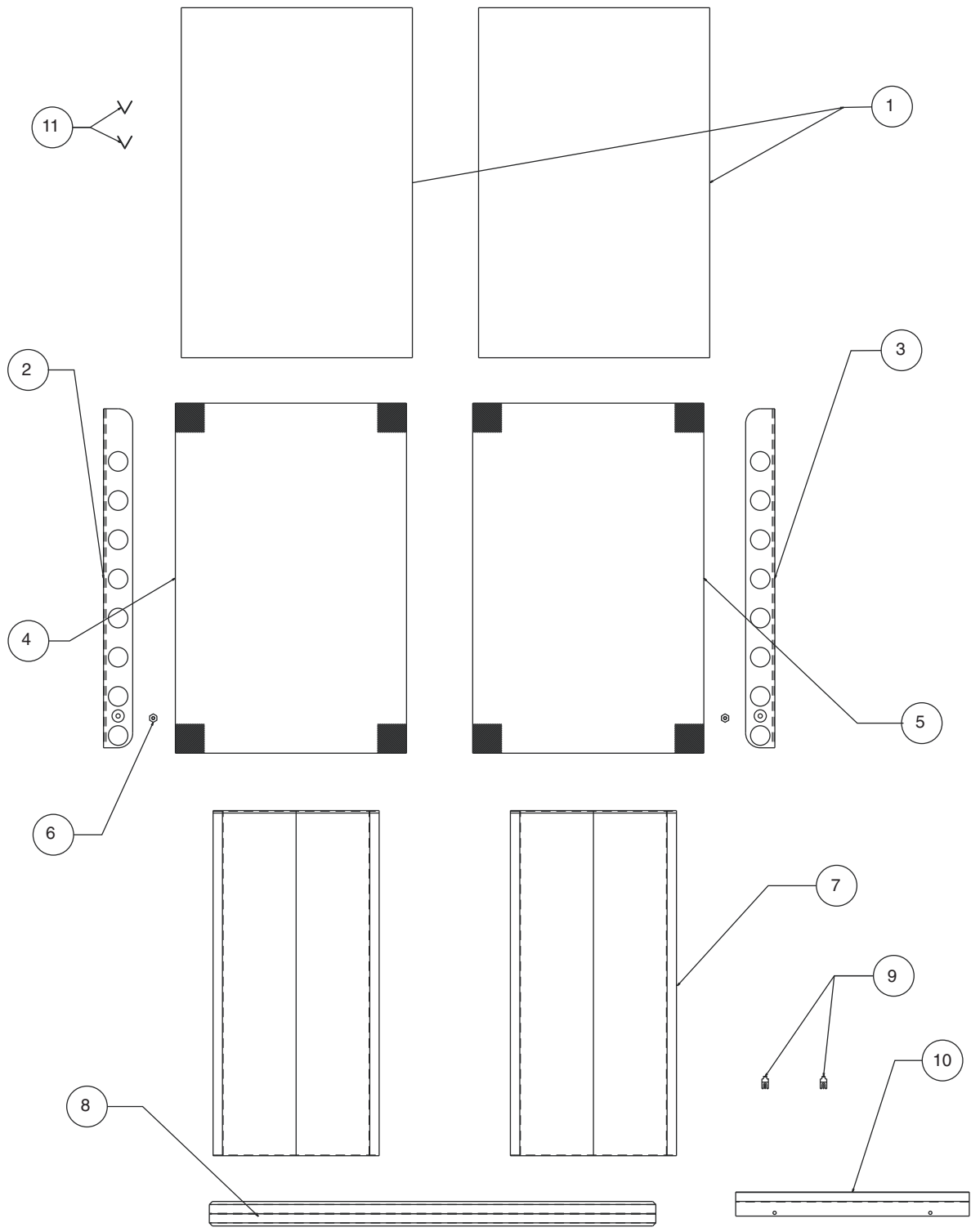
Gas Pyro Deck Burner Components

ITEM	PART #	DESCRIPTION	QUANTITY	
			GPD48	GPD60
1	1910398	Cap-Assy.-Burner	2	2
2	1910389	Left Burner Assy. NAT Gas Units	1	1
	1910388	Right Burner Assy. NAT Gas Units	1	1
3	1910387	Left Burner Assy. Propane Gas Units	1	1
	1910386	Right Burner Assy. Propane Gas Assy	1	1
4	1910395	Elbow W/A Left	1	1
5	1910396	Elbow W/A Right	1	1
6	1917301	Inspirator – ER –3	2	2
7	1920401	Thermocouple	1	1
8	1091899	Pilot Assy.-NAT Gas	1	1
	1091898	Pilot Assy.-Propane Gas	1	1
9	1917303	Spud Holder #1	2	2
10	1917304	Lock Nut #1	2	2
11	1917302	Air Shutter #1	2	2
12	1917331	Orifice #31-NAT Gas	2	
	1917345	Orifice #45-Propane Gas	2	
	1917329	Orifice #29-NAT Gas		2
	1917342	Orifice #42-Propane Gas		2
13	1921702	Pilot Tube-GPD 60		1
	1921701	Pilot Tube-GPD 48	1	
14*	1952501	Thermocouple Shield	1	
	1952502	Thermocouple Shield 27"		1

* NOT ILLUSTRATED

RECOMMENDED STOCK PARTS

OVEN INTERIOR COMPONENTS



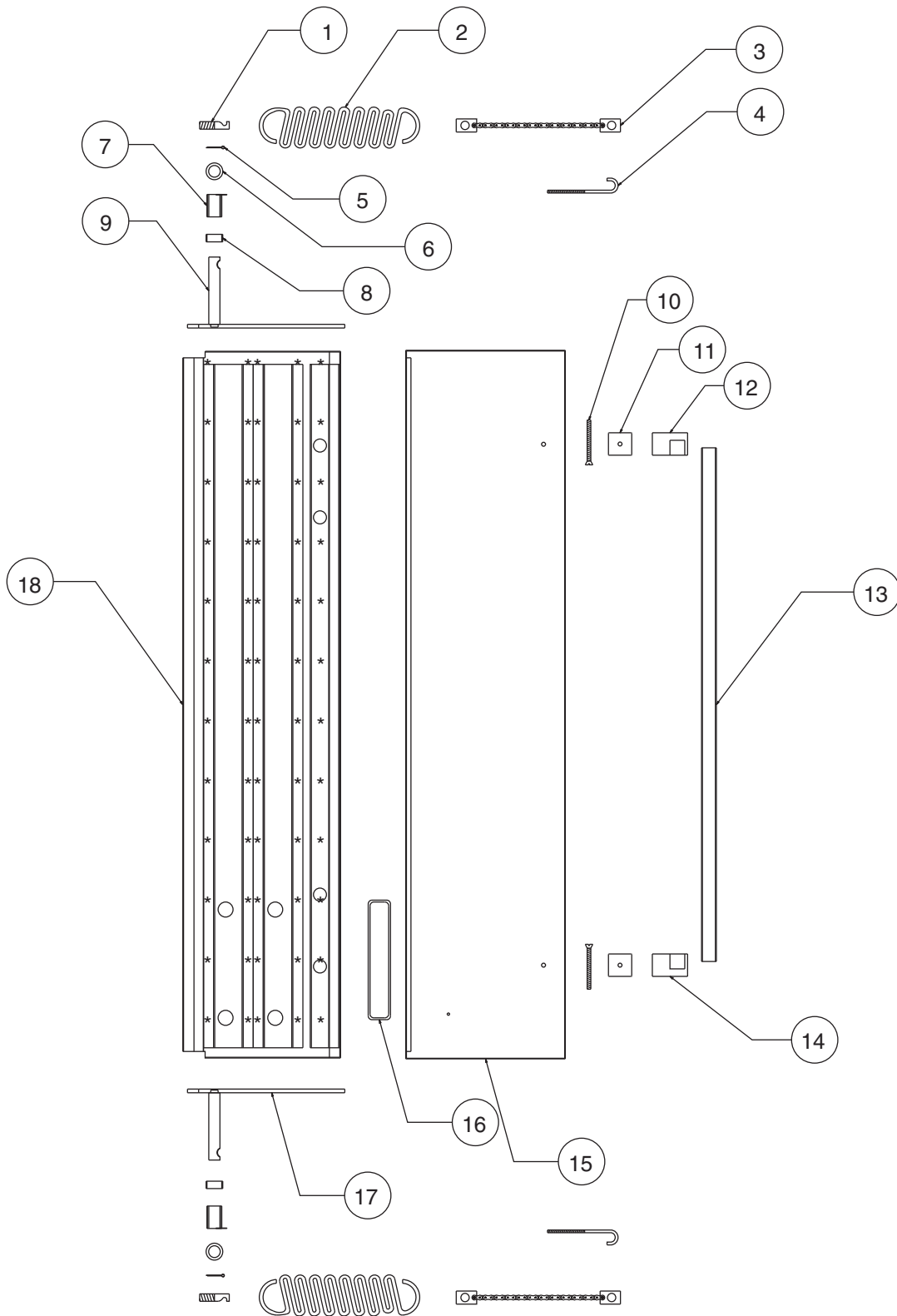
SK99-048
REV. 0

GARLAND PARTS IDENTIFICATION
Models GPD48 & GPD60
Gas Pyro Deck Oven Interior Components

ITEM	PART #	DESCRIPTION	QUANTITY		DATE	
			GPD48	GPD60	FROM	UP TO
1	1913202	Oven Hearth – 48”	2			
	1913201	Oven Hearth –60”		3		
2	1911003	Outer Damper-Left	1	1		
3	1911004	Outer Damper –Right	1	1		
4	1909899	Steel Hearth Assy.-Left-48”	1			
	1909897	Steel Hearth Assy.-Left-60”		1		
5	1909898	Steel Hearth Assy.-Right-48”	1			
	1909896	Steel Hearth Assy.-Right-60”		1		
6	1911005	Damper Adj. Bolt	2	2		
7	1909801	Fire Plate	2	2		
8	1914699	Front Filler Assy.-48”	1			
	1914698	Front Filler Assy.-60”		1		
9	1101402	Thermostat Bulb-Clip	2	2		
10	G02696-1-6	Capillary Tube Shield	1	1		14-Mar-03
	4513172	Thermostat Bulb Shield	1		14-Mar-03	
	4513174	Thermostat Bulb Shield		1		14-Mar-03
11	G03086-1-9	Hearth Supports	4	5		

* NOT ILLUSTRATED

RECOMMENDED STOCK PARTS

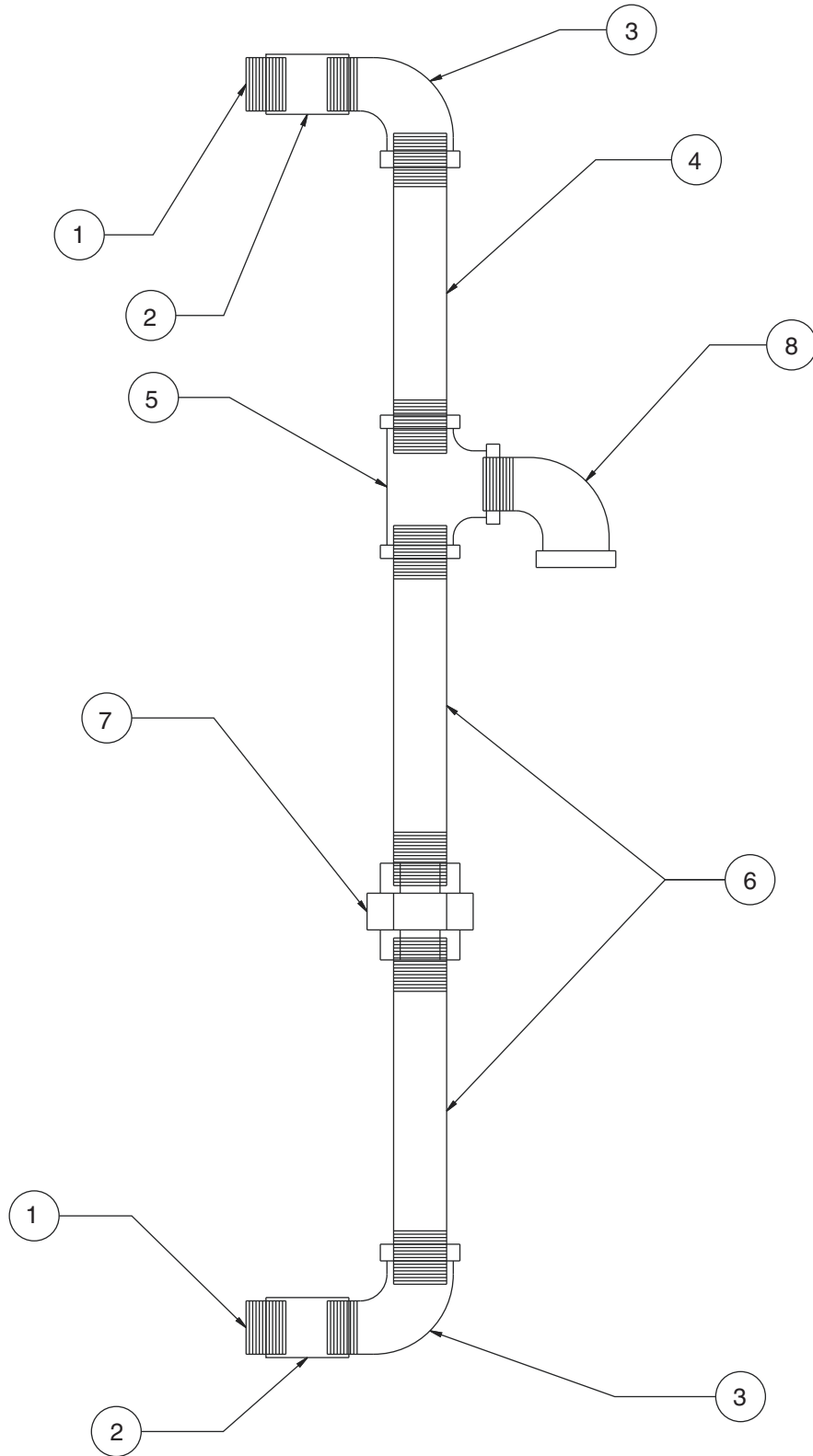
OVEN DOOR COMPONENTS

 SK99-049
 REV. 0

GARLAND PARTS IDENTIFICATION
Models GPD48 & GPD60
Gas Pyro Deck Oven Door Components

ITEM	PART #	DESCRIPTION	QUANTITY	
			GPD48	GPD60
1	1054325	<i>Hinge Pin Hook</i>	2	2
2	4512585	<i>Oven Door Spring</i>	2	
	1967702	<i>Kit GPD60 Spring & Pin</i>		2
3	G03025-02-8	<i>Chain Assy.</i>		2
4	9004701	J - Bolt		2
5	GF-154	Cotter Pin	2	2
6	G02247-1-8	Bearing Assy. Washer	2	2
7	G02611-01-8	<i>Bearing Assy.</i>	2	2
8	1011201	Chrono Spacer	2	2
9	1908898	Hinge Assy. L/H	1	1
10	8003019	1/4 - 20 x 3 Bolt Flathead	2	2
11	1919401	Oven Door Handle Spacer	2	2
12	1562600	Oven Door Handle End-Left	1	1
13	1919501	Oven Door Handle	1	1
14	1562601	Oven Door Handle End-Right	1	1
15	1908801	Oven Door Panel Single Deck/Top	1	
	1908802	Oven Door Panel Bottom Deck Only	1	
	1908803	Oven Door Panel Single Deck/Top		1
	1908804	Oven Door Panel Bottom Deck		1
16	1902917	Garland Logo 10"	1	1
17	1908899	Hinge Assy. R/H	1	1
18	1908888	Oven Door Liner Assy.	1	
19	1908889	Oven Door Liner Assy.		1

* NOT ILLUSTRATED

RECOMMENDED STOCK PARTS



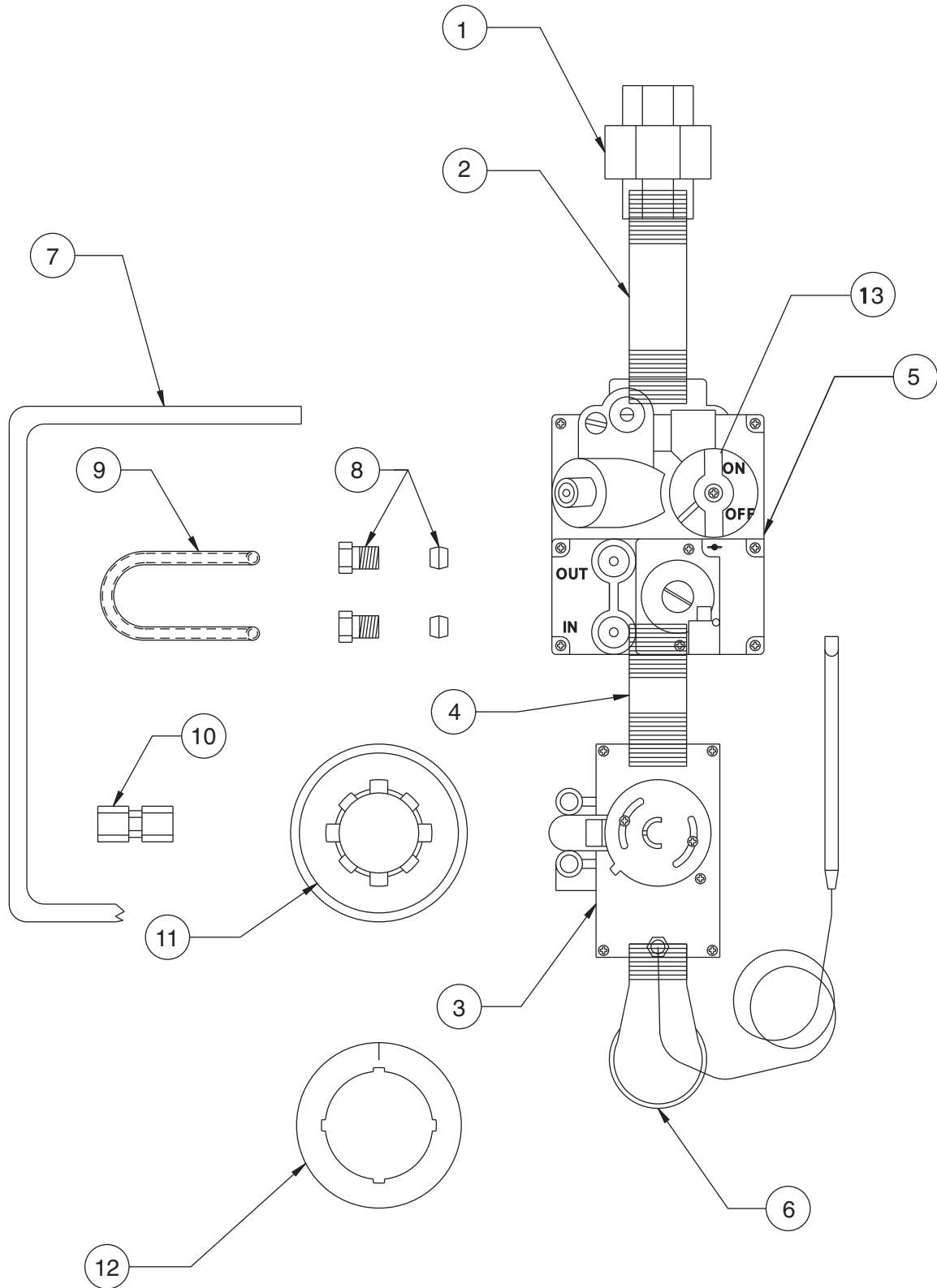
SK99-050
REV. 0

GARLAND PARTS IDENTIFICATION
Models GPD48 & GPD60
Gas Pyro Deck Double Stack Plumbing

ITEM	PART #	DESCRIPTION	QUANTITY	
			GPD48	GPD60
1	100660	3/4 NPT Nipple	2	2
2	1004821	3/4 NPT Coupling	2	2
3	1026735	3/4 NPT Street Elbow	2	2
4	G01738-6	3/4 NPT Nipple - 5-3/4"	1	1
5	G01962-1	3/4 x 1 x 3/4 Tee0	1	1
6	G01738-5	3/4 NPT Nipple - 6-1/2"	2	2
7	1026905	3/4 NPT Union	1	1
8	G01475-3	1" NPT Street Elbow	1	1

* NOT ILLUSTRATED

RECOMMENDED STOCK PARTS



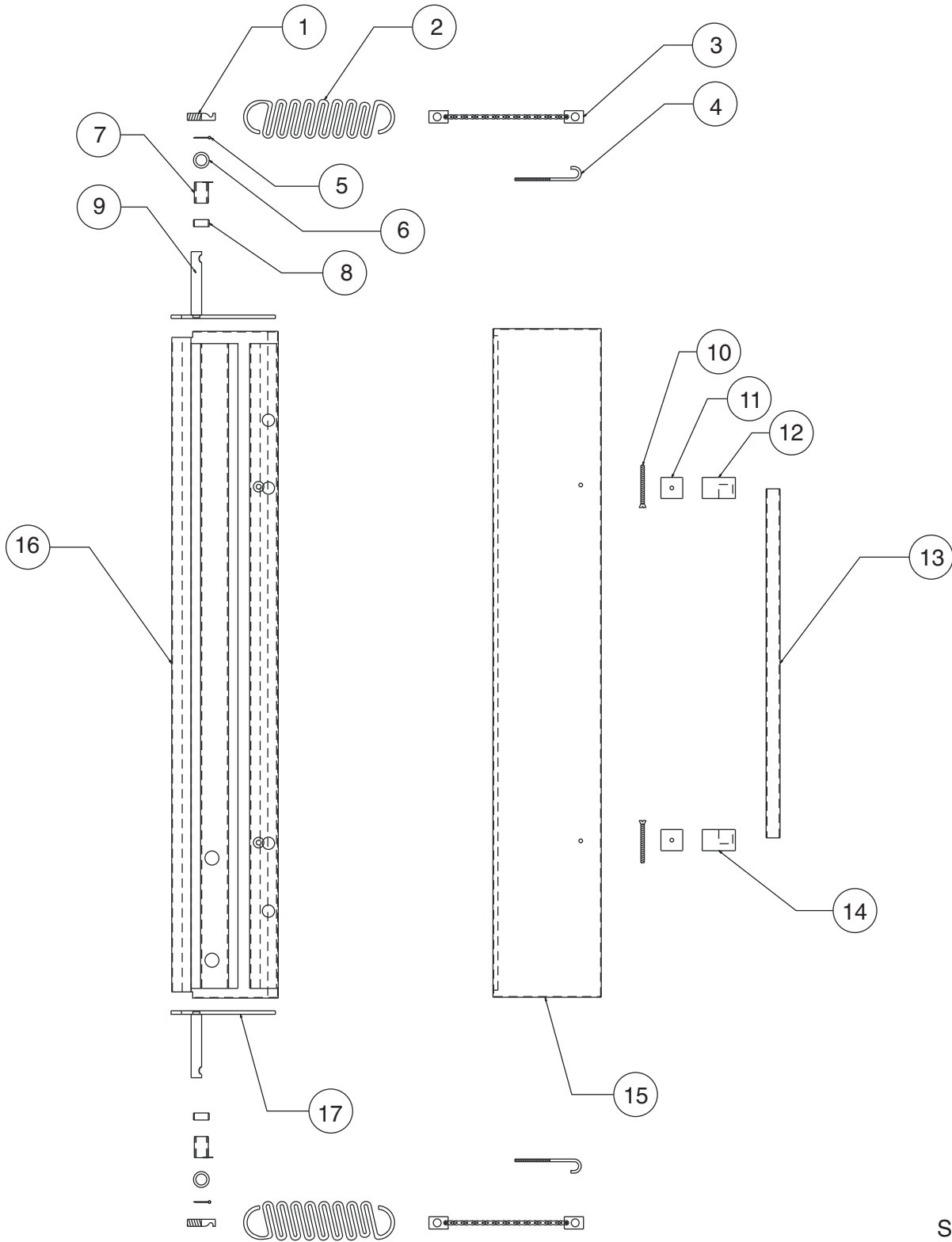
GARLAND PARTS IDENTIFICATION
Models GPD48 & GPD60
Gas Pyro Deck Oven Control Components

ITEM	PART #	DESCRIPTION	QUANTITY	
			GPD48	GPD60
1	1026903	Union 1/2" NPT	2	2
2	1004642	Nipple 1/2" NPT x 2"	1	1
3	1017506	Thermostat	1	1
4	1004643	Nipple 1/2" NPT x 2-1/2"	1	1
5	1587700	Control Natural Gas	1	1
	1587701	Control Propane Gas	1	1
6	1026733	1/2" NPT Street Elbow	1	1
7	1921703	Pilot Control Tube	1	1
8	1415702	3/16" Compression Nut & Sleeve	2	2
9	1919801	Control Tube	1	1
10	1811101	1/4" CC x 1/4" CC Coupling	1	1
11	1314003	Thermostat Dial	1	1
12	1314150	Dial Insert, Pizza	1	1
13	810-0109	Knob for Gas Valves	1	1

* NOT ILLUSTRATED

RECOMMENDED STOCK PARTS

COMBUSTION CHAMBER DOOR COMPONENTS



SK99-52
REV. 0

GARLAND PARTS IDENTIFICATION

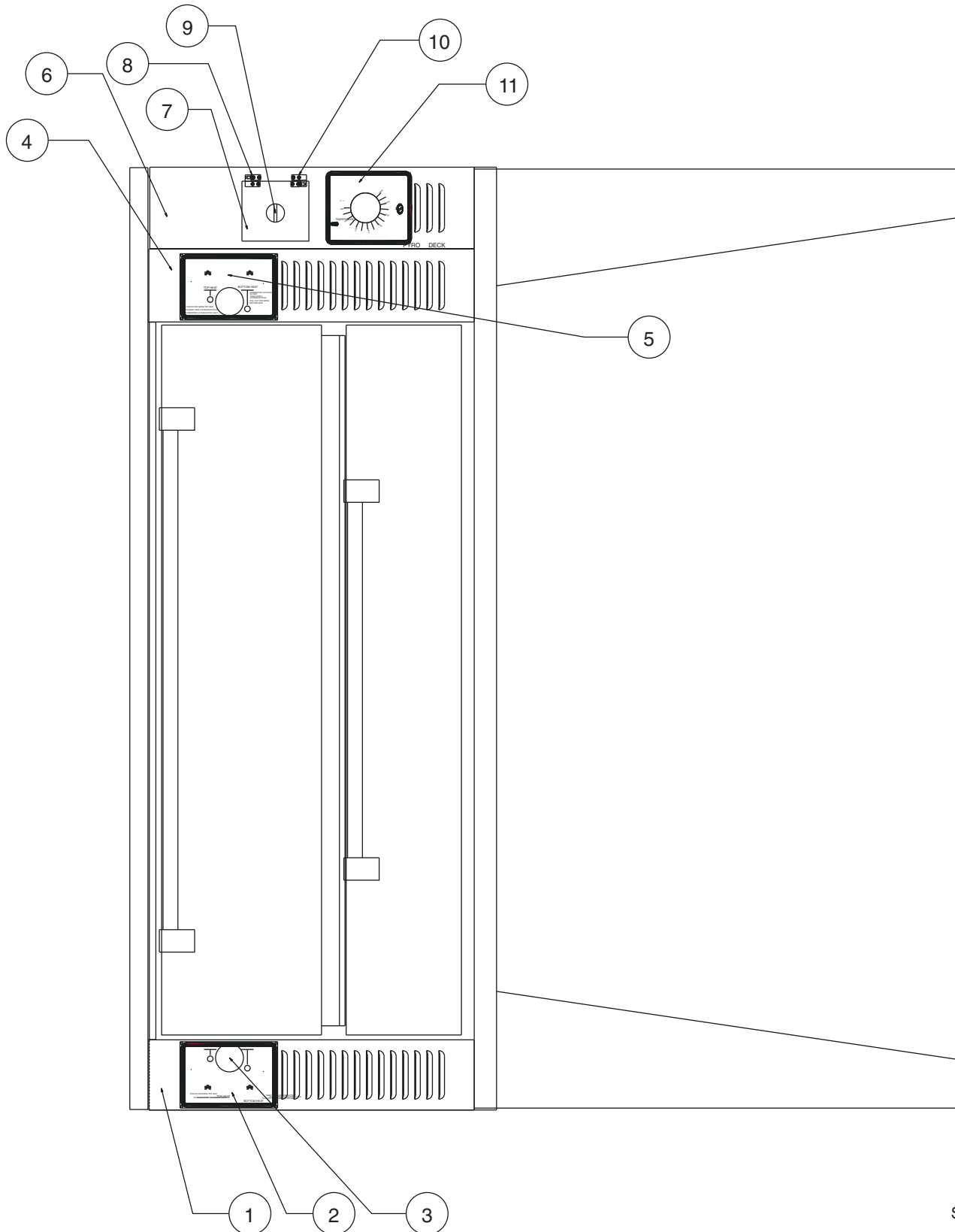
Models GPD48 & GPD60

Gas Pyro Deck Combustion Chamber Door Components

ITEM	PART #	DESCRIPTION	GPD48	GPD60
1	1054325	Hinge Pin Hook	2	2
2	1923502	Spring – Combustion Door	2	2
3	G03025-02-8	Chain Assy.	2	2
4	9004701	J-Bolt	2	2
5	GF-154	Cotter Pin	2	2
6	G02247-1-8	Bearing Stop Washer	2	2
7	G02611-01-08	Bearing Assy.	2	2
8	1011201	Chrome Spacer	2	2
9	1908878	Combustion Chamber Hinge Assy. L/H	1	1
10	8003019	¼ - 20 x 3 Bolt – Flathead	2	2
11	1919401	Oven Door Handle Spacer	2	2
12	1562600	Oven Door Handle End – Lft	1	1
13	1919502	Oven Door Handle	1	1
14	1562601	Oven Door Handle End – Rht	1	1
15	1908814	Combustion Chamber Door Panel – 48	1	
	1908815	Combustion Door Panel – 60		1
	1908887	Combustion Door Liner Assy. – 48	1	
16	1908886	Combustion Door Liner Assy. – 60		1
17	1908879	Combustion Door Hinge Assy. R/H	1	1

* NOT ILLUSTRATED

RECOMMENDED STOCK PARTS



SK99-054
REV. 0

GARLAND PARTS IDENTIFICATION

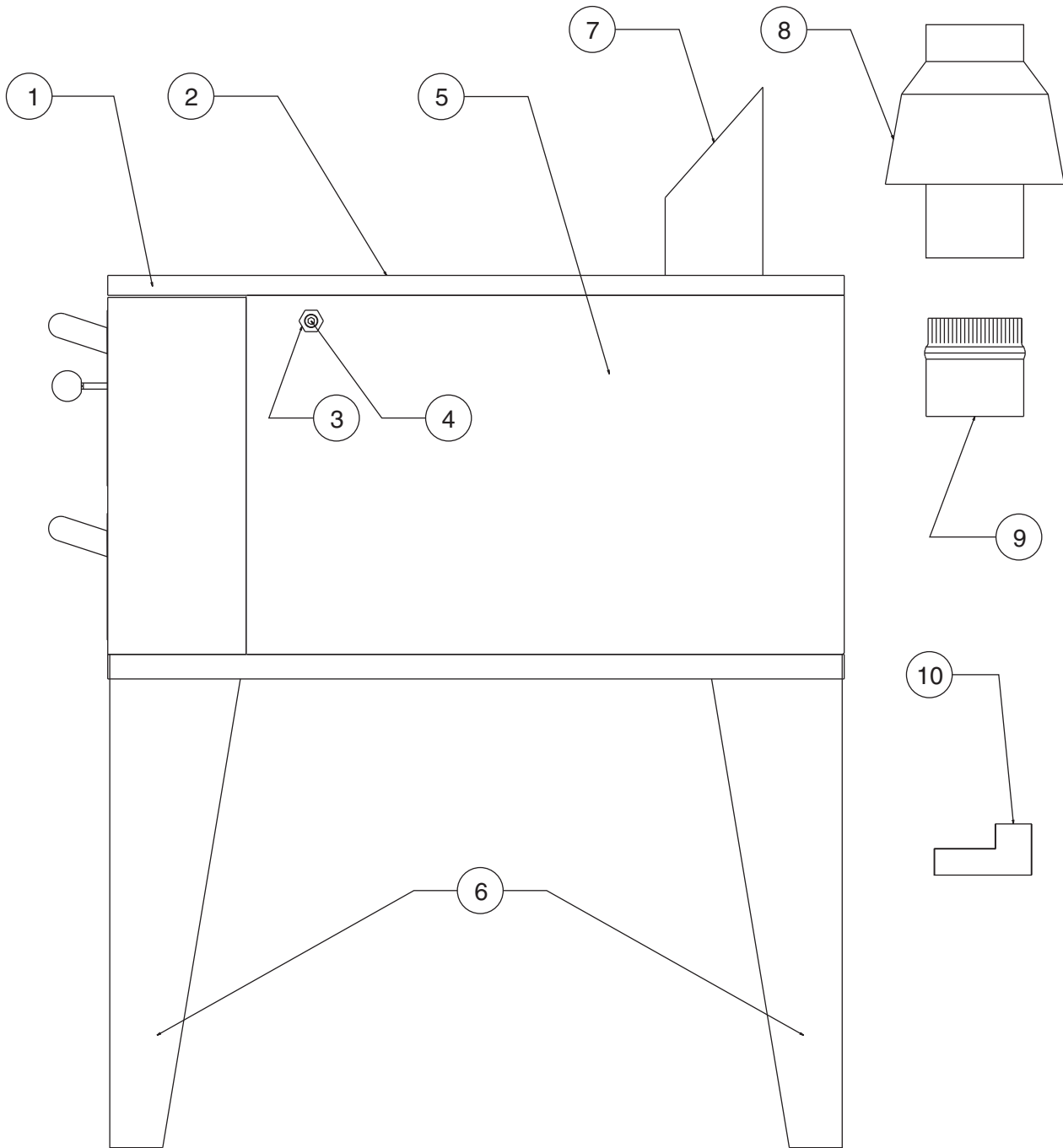
Models GPD48 & GPD60

Gas Pyro Deck Front View

ITEM	PART #	DESCRIPTION	QUANTITY	
			GPD48	GPD60
1	1914501	Corner Column Left	1	1
2	1914804	Damper Overlay Left	1	1
3	1915501	Damper Knob - Red	2	2
4	1914501	Center Column	1	1
5	1914805	Damper Overlay Right	1	1
6	1914503	Control Panel	1	1
7	1914504	Control Panel Door	1	1
8	1915101	Hinge Top	1	1
9	1915299	Latch Assembly	1	1
10	1915102	Hinge Bottom	1	1
11	1914806	Temperature Overlay Pyro Deck	1	1

* NOT ILLUSTRATED

RECOMMENDED STOCK PARTS



SK99-055
REV. 0

GARLAND PARTS IDENTIFICATION

Models GPD48 & GPD60

Gas Pyro Deck Side View

ITEM	PART #	DESCRIPTION	QUANTITY	
			GPD48	GPD60
1	1914399	Main Top Trim Assembly - 48"	1	
	1914398	Main Top Trim Assembly - 60 "		1
2	1914301	Main Top - 48"	1	
	1914302	Main Top S/S 48"	1	
	1914303	Main Top - 60"		1
	1914304	Main Top 60" S/S		1
3	1917205	3/4" x 1/2" NPT Hex Bushing	2	2
4	1917204	1/2" NPT Allen Plug	2	2
5	1914401	Body Side - Left	1	1
	1914402	Body Side - Right	1	1
6	1908498	Single Deck Leg - Black	4	4
	1908488	Single Deck Leg - S/S	4	4
	1908499	Double Deck Leg - Black	4	4
	1908489	Double Deck Leg S/S	4	4
7	1913101	Oven Flue	1	1
8	1190100	6" Direct Bell	1	1
9	1913102	Direct Connect Adaptor	1	1
10	1913105	Double Stack Flue Connector	1	1

* NOT ILLUSTRATED

RECOMMENDED STOCK PARTS

GARLAND PARTS IDENTIFICATION

Revision History

REV	PAGE#**	ITEM#**	NOTES	DATE
2	9	2	Description was: Spring. New P/N 1923501 (Spring uses 1967702).	OCT 24/02
		3	P/N was 1923501 (Spring)	
		4	P/N was G03025-02-8 (Chain Assy)	
		6	P/N was G02611-01-8	
3	5	2	New description for part 1910388	OCT 29/02
		3	New description for part 1910387	
		13	New descriptions	
		14	New P/N's and descriptions	
4	9	1	Was G02225-1	DEC 11/02
		4	GPD 48 model Quantity (2) deleted	
		16	New description, was Garland Logo	
5	7	10	Updated P/N	MAR 18/04
6	12	13	Added new P/N	SEP 21/05
	13	13	Added new P/N	
7	9	2	Changed P/N & description. Was 1005800 (Spring uses 4512585)	MAY 14/07
	9	2	Changed P/N & description. Was 1923501 (Spring uses 1967702)	
8	5	12	Changed P/N's & descriptions. 1917332 was 1917330; 1917345 was 1917344; 1917330 was 1917329; 1917342 was 1917340.	JAN 24/12
9	5	12	Changed P/N's & descriptions. 1917331 was 1917332; 1917329 was 1917330.	JUN 5/12

** Page#/Item# reference the specific page/item numbers in the corresponding Revision only.

 **Garland**[®]

 **Manitowoc**