



GPD 4 & G48
PIZZA OVENS

PARTS LIST

Toll Free Phone, (US & Canada): (800) 427-6668

Toll Free Fax, (US & Canada): (800) 361-7745

<http://www.garland-group.com>

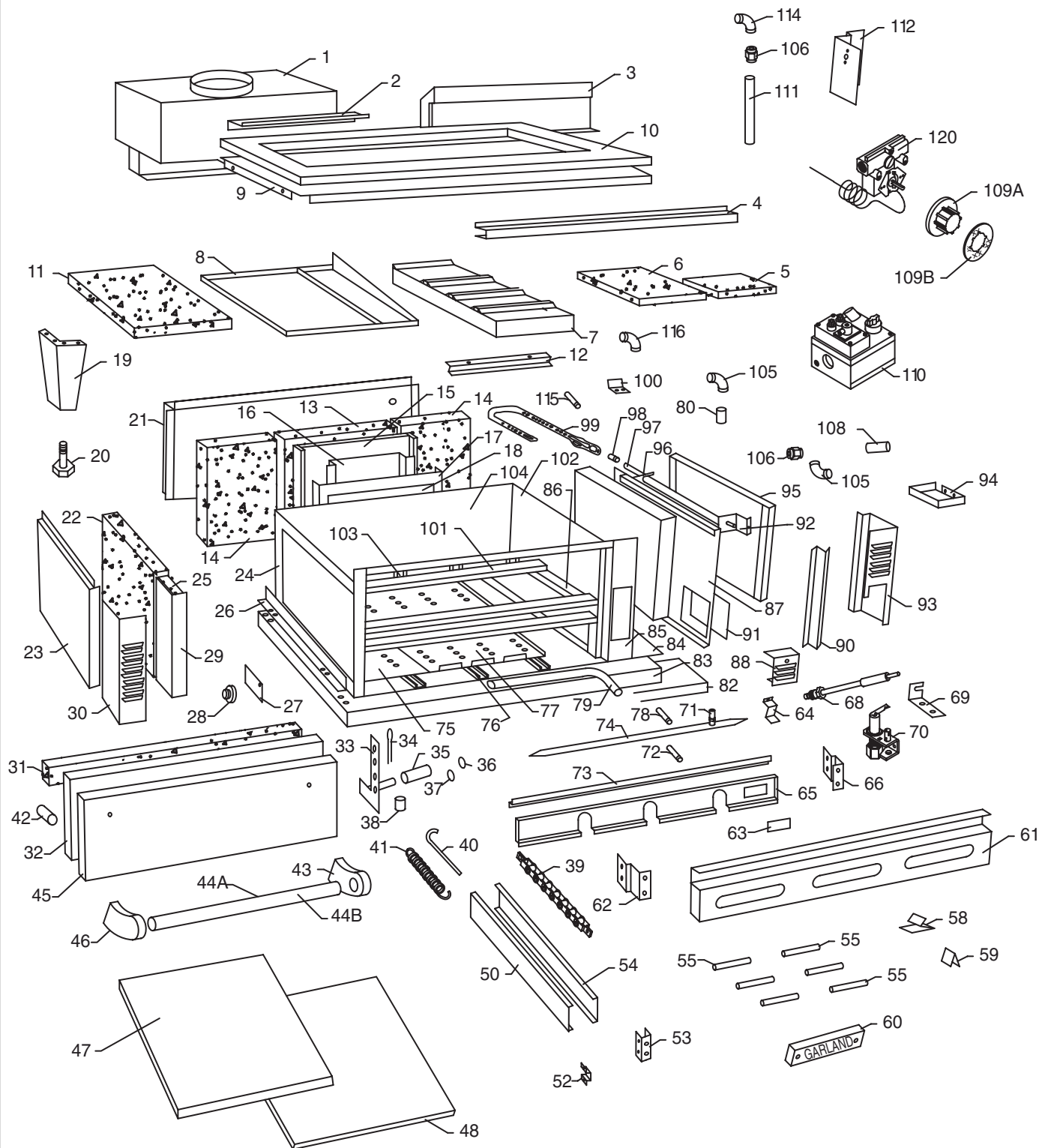


GPD 4 & G48 PIZZA OVENS

Contents:

Gas Pizza Oven Models GPD 4	Page 4
Gas Pizza Oven Models G48P, PS, PA, PD, AND PSD	Page 8
Revision History.....	Page 13

MODEL FROM JUNE 1992



G48 Pizza Oven.dwg

GARLAND PARTS IDENTIFICATION

Gas Pizza Oven

Models GPD 4

From June 1992

ITEM	PART #	DESCRIPTION	MODEL	DATE	
			QTY	FROM	UP TO
			GPD4		
1	G02712-01-8	Direct Flue Diverter Assembly	1		
2	G01727-1-7	Main Bottom Flue Patch	1		
3	G01729-01-8	Canopy Flue Diverter Assembly	1		
4	G01689-1-9	Door Filler	1		
5/6	1472308	Insulation 19 x 19 x 2	1		
7	G01668-01-6	Flue Diverter Box Assembly	1		
8	2257598	Oven Top Liner Assy LH	1	3-Jun-92	
	2257599	Oven Top Liner Assy RH	1	3-Jun-92	
9	G01665-1-8	Main Top	1		
10	G01760-01-9	Top Trim Assembly	1		
11	GM132	Insulation 39 x 22 x 4			
12	G02696-1-6	Capillary Tube Shield	1		
13	GM292	Insulation 35 x 23 x 1	1		
14	GM132	Insulation 39 x 22 x 4	2		
15	G01657-1-6	Flue Stack Body	1		
16	G02243-1-6	Flue Collar	1		
17	G01677-01-6	Flue Stack Front Assembly	1		
18	GM26	Insulation 28 x 21 x 1	1		
19	G1408-02-8	Leg Assembly 16" Std	4		
	G1408-05-8	Leg Assembly 32" Std	4		
20	G6424	Leveling Glider Bolt Hex 3/8-16 x 2	1		
21	G01715-1-8	Main Back	1		
22	GM128	Insulation 45 1/2 x 36 x 4	2		
23	G01667-1-82	Main Side L/H	1		
24	2257601	Oven Side Liner L/H	1	3-Jun-92	
25	GM303	Insulation 22 x 11 x 2	2		
26	G01699-1-82	Oven Support L/H	1		
	G01699-1-81	Oven Support R/H	1		
27	G02227-01-82	Spring Adjust Bracket Assembly L/H	1		
	G02227-01-81	Spring Adjust Bracket Assembly R/H	1		
28	G01503-2	Weld Bushing 3/8-16 #Wf3310.	2		
29	G02226-1-72	Wool Retainer L/H	1		
	G02226-1-71	Wool Retainer R/H	1		
30	G01659-1-9	Corner Column	1		
	G01658-1-9	Centre Column	1		
31	CUTTINGS	Insulation 1 x 3 x 27			
32	G02230-02-9	Door Lining Assy	1		
33A	G02242-01-51	Hinge Assembly R/H	1		
33B	G02242-01-52	Hinge Assembly L/H	1		
34	1121400	Cotter Pin - 3/32" x 1" Lg	2		
35	G02611-01-8	Bearing Assembly	2		
36	G02247-1-8	Bearing Stop Washer	2		
37	G02247-2-8	Spacer Washer	6		
38	G02225-1	Hinge Pin Hook	2		

* NOT ILLUSTRATED

RECOMMENDED STOCK PARTS

GARLAND PARTS IDENTIFICATION

Gas Pizza Oven

Models GPD 4

From June 1992

ITEM	PART #	DESCRIPTION	MODEL	DATE	
			QTY	FROM	UP TO
			GPD4		
39	G03025-02-8	Chain Assembly	2		
40	G01246-1-8	Spring Hook	2		
41	1005800	Door Spring	2		
42	G02252-1-8	Door Handle Spacer (Pipe)	2		
43	9003700	Handle R/H	1		
44A	1589103	Extruded Handle 34"	1		
44B	2355303	Overlay F/G48 Pyro Deck	1		
45	G02229-2-9	Door Panel	1		
46	9003701	Handle L/H	1		
47	2343300	Core Plate Fibrament D 4X11/2X23-3/4X35-3			
48	2161100	Heat Deflector	2	25-Jan-93	
50	G02266-1-6	Oven Flue Diverter	2		
52	G02162-1-8	Hold Down Bracket	2		
53	G02264-1-6	Oven Flue Diverter Support	2		
54	G02265-1-6	Oven Diverter	2		
55	GM308	1/4 Aluminum Tubing (Order by Foot) Safety to Lighter Burner	2ft		
56*	G01494-5	1/4 Alum Tubing x 12.000" Gum Valve to Safety	1		3-Jun-92
57*	G01494-15	1/4 Alum Tubing x 34.000" Safety to Pilot	1		3-Jun-92
	G01494-6	Aluminum Tubing 36.00" Safety to Pilot	1	3-Jun-92	
58	F300	Clip-Tinnerman			
59	GF138	Capillary Bulb Clamp			
60	1902919	Garland Nameplate 4"			
61	2179601	Lower Front Panel	1	13-Sep-93	
62	G02248-1-72	Lower Front Panel Bracket L/H	1		
63	G02428-1-6	Pilot Door Patch	1		
64	G02429-1-6	Pilot Bracket	1		
65	G02127-1-6	Air Shield	1		
66	G02248-1-71	Lower Front Panel Bracket R/H	1		
67	G1555-6	Blank I.D Plate	2		
68	G01754-36	2C Thermocouple 36"	1		
69	G01686-1-8	Lighter Tube Support	1		
70	G0635-2	2C-2 Pilot Propane Gas	1		
	G0635-1	2C-2 Pilot Natural Gas	1		
71	G02251-1	Pressure Test Spigot	1		
72	G01655-60F	Orifice Fitting	1		
	G01655-71F	Orifice Fitting Propane	1		
73	G02173-1-6	Air Shield Support	1		
74	G01773-01-8	Manifold Assembly	1		
75	G01681-1-6	Side Air Plate	2		
76	G01684-1-8	Main Bottom Support	3		
77	G01683-1-6	Centre Air Plate	1		

* NOT ILLUSTRATED

RECOMMENDED STOCK PARTS

GARLAND PARTS IDENTIFICATION

Gas Pizza Oven

Models GPD 4

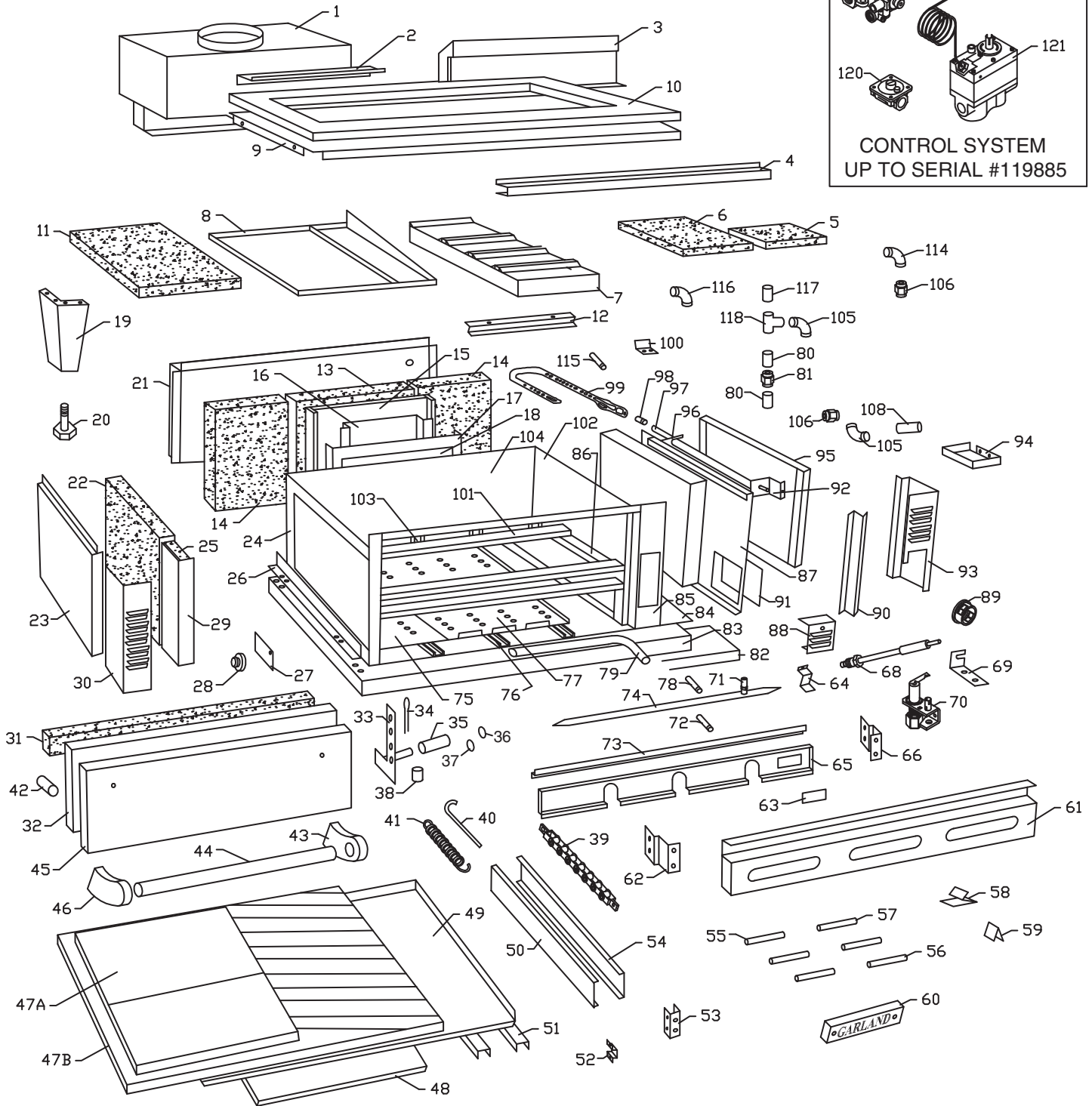
From June 1992

ITEM	PART #	DESCRIPTION	MODEL	DATE	
			QTY	FROM	UP TO
			GPD4		
78	G01656-34F	Orifice Fitting Natural	3		
	G01656-49F	Orifice Fitting LP/NAT	3		
79	2284800	Lighter Tube From Serial #119885	1		
82	G01856-1-9	Front Angle Veneer	1		
83	G01702-01-5	Main Bottom Frame Assembly	1		
84	G01701-1-7	Main Bottom	1		
85	G02233-01-8	Front Frame Assembly Enamelled	1		
86	G01723-01-5	Hearth Frame Support Assembly	1		
87	G01703-1-7	Side Liner	1		
88	2257299	Lower Control Panel Assy	1		
90	G01751-1-7	Panel Mounting Bracket	1		
91	G02244-1-7	Spring Service Cover	1		
92	G01669-1-7	Contractor Manifold Support	1		
93	2257100	Valve Panel	1	Jun-92	
94	G01666-1-6	Corner Filler	1		
95	G01667-1-81	Main Side R/H	1		
96	G02081-1-7	Manifold Support Bracket	1		
97	G01950-01	Manifold Connecting Pipe Assembly	1		
98	G01961-1	Coupling 3/4 NPT	1		
99	G03695-1	Steel Burner C/W Air Shutter	3		
100	G01674-1-6	Burner Support	3		
101	G01685-1-6	Burner Rest	1		
102	2257600	Oven Side Liner R/H	1	3-Jun-92	
103	G02267-1-61	Hearth Frame Support R/H	1		
	G02267-1-62	Hearth Frame Support L/H	1		
104	2257700	Oven Back Liner	1	3-Jun-92	
105	G01475-1	Elbow - Street 1/2" NPT 90 Deg	2		
106	G01739-1	Union 1/2 NPT TO 1/2 NPT	2		
108	G01477-3	Nipple 1/2" NPT X 2" Raw	1		
109A	G02716-1	Dial - (Universal) Small Shaft	1	3-Jun-92	
109B	1314133	Dial Insert (300F / 650F)	1	Jun-92	
	2316400	Dial Insert (150C / 350C)	1	Jun-92	
110	1587700	Combination Gas Valve Natural	1	3-Jun-92	
	1587701	Comb. Gas Valve Propane	1	3-Jun-92	
111	2258100	Pipe Nipple 1/2 X 11 3/8	1	Jun-92	
112	1588000	Thermostat Bracket	1	Jun-92	
114	G01916-1	Elbow 3/4 To 1/2 NPT Street Male	1		
115	G01738-4	Nipple 3/4 NPT X 2 1/2	1		
119*	G02444-1-8	Oven Hearth Channel Support	2		
120	1590600	Thermostat	1	3-Jun-92	

* NOT ILLUSTRATED

RECOMMENDED STOCK PARTS

MODELS UP TO JUNE 92



CONTROL SYSTEM
UP TO SERIAL #119885

GARLAND PARTS IDENTIFICATION

Gas Pizza Oven

Models G48P, PS, PA, PD, AND PSD

From June 1992

ITEM	PART #	DESCRIPTION	MODEL						DATE	
			QUANTITY						FROM	UP TO
			G48P	G48PS	G48PA	G48PSA	G48PD	G48PSD		
1	G02712-01-8	Direct Flue Diverter Assembly	1	1	1	1	1	1		
2	G01727-1-7	Main Bottom Flue Patch	1	1	1	1	2	2		
3	G01729-01-8	Canopy Flue Diverter Assembly	1	1	1	1	1	1		
4	G01689-1-9	Door Filler	1	1	1	1	2	2		
5	1472200	Side Insulation G280	1	1	1	1	2	2		
6	1472308	Insulation 19 x 19 x 2	2	2	2	2	4	4		
7	G01668-01-6	Flue Diverter Box Assembly	1	1	1	1	2	2		
8	G01707-01-82E	Oven Top Liner L/H Enamelled	1	1	1	1	2	2		
	G01707-01-81E	Oven Top Liner R/H Enamelled	1	1	1	1	2	2		
9	G01665-1-8	Main Top	1	1	1	1	2	2		
10	G01760-01-9	Top Trim Assembly	1	1	1	1	2	2		
11	GM132	Insulation 39 x 22 x 4	2	2	2	2	4	4		
12	G02696-1-6	Capillary Tube Shield	1	1	1	1	2	2		
13	GM292	Insulation 39 x 22 x 1	1	1	1	1	2	2		
14	GM132	Insulation 39 x 22 x 4	2	2	2	2	4	4		
15	G01657-1-6	Flue Stack Body	1	1	1	1	2	2		
16	G02243-1-6	Flue Collar	1	1	1	1	2	2		
17	G01677-01-6	Flue Stack Front Assembly	1	1	1	1	2	2		
18	GM26	Insulation 28 x 21 x 1	1	1	1	1	2	2		
19	G1408-02-8	Leg Assembly 16" Std			4	4	4	4		
	G1408-05-8	Leg Assembly 32" Std	4	4						
20	G6424	Leveling Glider Bolt Hex 3/8-16 x 2	4	4	4	4	4	4		
21	G01715-1-8	Main Back	1	1	1	1	2	2		
22	GM128	Insulation 45 1/2 x 36 x 4	2	2	2	2	4	4		
23	G01667-1-82	Main Side L/H	1	1	1	1	2	2		
24	G01687-1-82E	Oven Side Liner L/H Enamelled	1	1	1	1	2	2		
25	GM303	Insulation 22 x 11 x 2	2	2	2	2	4	4		
26	G01699-1-82	Oven Support L/H	1	1	1	1	2	2		
	G01699-1-81	Oven Support R/H	1	1	1	1	2	2		
27	G02227-01-82	Spring Adjust Bracket Assembly L/H	1	1	1	1	2	2		
	G02227-01-81	Spring Adjust Bracket Assembly R/H	1	1	1	1	2	2		
28	G01503-2	Weld Bushing 3/8-16 #Wf3310.	2	2	2	2	4	4		
29	G02226-1-72	Wool Retainer L/H	1	1	1	1	2	2		
	G02226-1-71	Wool Retainer R/H	1	1	1	1	2	2		
30	G01659-1-9	Corner Column	1	1	1	1	2	2		
	G01658-1-9	Centre Column	1	1	1	1	2	2		
31	CUTTINGS	Insulation 1 x 3 x 27								
32	G02230-01-9	Door Lining Assembly	1	1	1	1	2	2		
33	G02242-01-51	Hinge Assembly R/H	1	1	1	1	2	2		
	G02242-01-52	Hinge Assembly L/H	1	1	1	1	2	2		
34	1121400	Cotter Pin - 3/32" x 1" Lg	2	2	2	2	4	4		
35	G02611-01-8	Bearing Assembly	2	2	2	2	4	4		

* NOT ILLUSTRATED

RECOMMENDED STOCK PARTS

GARLAND PARTS IDENTIFICATION

Gas Pizza Oven

Models G48P, PS, PA, PD, AND PSD

From June 1992

ITEM	PART #	DESCRIPTION	MODEL						DATE	
			QUANTITY						FROM	UP TO
			G48P	G48PS	G48PA	G48PSA	G48PD	G48PSD		
36	G02247-1-8	Bearing Stop Washer	2	2	2	2	4	4		
37	G02247-2-8	Spacer Washer	6	6	6	6	12	12		
38	G02225-1	Hinge Pin Hook	2	2	2	2	4	4		
39	G03025-02-8	Chain Assembly	2	2	2	2	4	4		
40	G01246-1-8	Spring Hook	2	2	2	2	4	4		
41	1005800	Door Spring	2	2	2	2	4	4		
42	G02252-1-8	Door Handle Spacer (Pipe)	2	2	2	2	4	4		
43	G01733-1	Door Handle End R/H (NLA) Use CK224	1	1	1	1	2	2		
	CK224	Door Handle Kit								
44	G01904-2-9	Door Handle	1	1	1	1	2	2		
45	G02229-1-9	Oven Door Panel	1	1	1	1	2	2		
46	G01733-2	Door Handle End L/H (NLA) Use CK224	1	1	1	1	2	2		
47A	2161300	Core Plate N.L.A.-Sub 2343300	4		4		8			
47B	2160999	Hearth Support Assy	2		2		4			25-Jan-93
48	2161100	Heat Deflector		2		2		4		25-Jan-93
49	G01762-01-8	Steel Hearth Assembly		1		1		2		
50	G02266-1-6	Oven Flue Diverter	2	2	2	2	4	4		
51	G01910-1-8	Hearth Spacer		2		2		4		
52	G02162-1-8	Hold Down Bracket	2	2	2	2	4	4		
53	G02264-1-6	Oven Flue Diverter Support	2	2	2	2	4	4		
54	G02265-1-6	Oven Diverter	2	2	2	2	4	4		
55	G01494-3	1/4 Alum Tubing x 20.000"	1	1	1	1	2	2		
56	G01494-5	1/4 Alum Tubing x 12.000"	1	1	1	1	2	2		
57	G01494-15	1/4 Alum Tubing x 34.000"	1	1	1	1	2	2		3-Jun-92
58	G01504-1	Clamp	1	1	1	1	2	2		
59	G01558-21	Capillary Bulb Clip	2	2	2	2	4	4		
60	1902918	Nameplate - GARLAND 7 3/4	1	1	1	1	1	1		
	1902919	Garland Nameplate 4"	1	1	1	1	1	1	Feb-00	
61	2179600	Lower Front Panel	1	1	1	1	2	2		13-Sep-93
62	G02248-1-72	Lower Front Panel Bracket L/H	1	1	1	1	2	2		
63	G02428-1-6	Pilot Door Patch	1	1	1	1	2	2		
64	G02429-1-6	Pilot Bracket	1	1	1	1	2	2		
65	G02127-1-6	Air Shield	1	1	1	1	2	2		
66	G02248-1-71	Lower Front Panel Bracket R/H	1	1	1	1	2	2		
67*	3022700	Rating / Serial Plate CGA	1	1	1	1	1	1		
	G1555-6	Blank I.D Plate	2	2	2	2	4	4		
68	G01754-36	2C Thermocouple 36"	1	1	1	1	2	2		
69	G01686-1-8	Lighter Tube Support	1	1	1	1	2	2		
70	G0635-2	2C-2 Pilot Propane Gas	1	1	1	1	2	2		
	G0635-1	2C-2 Pilot Natural Gas	1	1	1	1	2	2		
71	G02251-1	Pressure Test Spigot	1	1	1	1	2	2		

* NOT ILLUSTRATED

RECOMMENDED STOCK PARTS

GARLAND PARTS IDENTIFICATION

Gas Pizza Oven

Models G48P, PS, PA, PD, AND PSD

From June 1992

ITEM	PART #	DESCRIPTION	MODEL						DATE	
			QUANTITY						FROM	UP TO
			G48P	G48PS	G48PA	G48PSA	G48PD	G48PSD		
72	<i>1050271</i>	<i>Pilot Tube Orifice Fitting W/49 Drill Pro.</i>								
	<i>1017698</i>	<i>Orifice Fitting W/49 Drill Pro.</i>								
	<i>1050260</i>	<i>Orifice Fitting #60 NG</i>								
	<i>G01655-64F</i>	<i>Orifice Fitting #64 NG</i>								
	<i>1017699</i>	<i>Orifice Fitting #33 NG</i>								
73	G02173-1-6	Air Shield Support	1	1	1	1	2	2		
74	G01773-01-8	Manifold Assembly	1	1	1	1	2	2		
75	G01681-1-6	Side Air Plate	2	2	2	2	2	2		
76	G01684-1-8	Main Bottom Support	3	3	3	3	6	6		
77	G01683-1-6	Centre Air Plate	1	1	1	1	2	2		
78	G01656	Burner Orifice Fitting (Specify Gas)	3	3	3	3	6	6		
79	G01730-1	Lighter Tube - 382 Up to Serial #119885	1	1	1	1	2	2		
80	G01738-5	Nipple 3/4 NPT x 6 1/2			2	2	2	2		
81	G01963-1	Union 3/4 NPT (1026905)			1	1	1	1		
82	G01856-1-9	Front Angle Veneer	1	1	1	1	2	2		
83	G01702-01-5	Main Bottom Frame Assembly	1	1	1	1	2	2		
84	G01701-1-7	Main Bottom	1	1	1	1	2	2		
85	G02233-01-8	Front Frame Assembly Enamelled	1	1	1	1	2	2		
86	G01723-01-5	Hearth Frame Support Assembly	1	1	1	1	2	2		
87	G01703-1-7	Side Liner	1	1	1	1	2	2		
88	2257299	Lower Control Panel Assy	1	1	1	1	2	2		
89	1028802	Heyco Bushing	1	1	1	1	2	2		
90	G01751-1-7	Panel Mounting Bracket	1	1	1	1	2	2		
91	G02244-1-7	Spring Service Cover	1	1	1	1	2	2		
92	G01669-1-7	Contractor Manifold Support	1	1	1	1	2	2		
93	G01713-1-4	Valve Panel	1	1	1	1	2	2		
94	G01666-1-6	Corner Filler	1	1	1	1	2	2		
95	G01667-1-81	Main Side R/H	1	1	1	1	2	2		
96	G02081-1-7	Manifold Support Bracket	1	1	1	1	2	2		
97	G01950-01	Manifold Connecting Pipe Assembly	1	1	1	1	2	2		
98	G01961-1	Coupling 3/4 NPT	1	1	1	1	2	2		
99	G03695-1	Steel Burner C/W Air Shutter	3	3	3	3	6	6		
100	G01674-1-6	Burner Support	3	3	3	3	6	6		
101	G01685-1-6	Burner Rest	1	1	1	1	2	2		
102	G01687-1-81E	Oven Side Liner R/H Enamelled	1	1	1	1	2	2		
103	G02267-1-61	Hearth Frame Support R/H	1	1	1	1	2	2		
	G02267-1-62	Hearth Frame Support L/H	1	1	1	1	2	2		
104	G01688-1-8E	Back Liner Enamelled	1	1	1	1	2	2		
105	G01475-1	Elbow - Street 1/2" NPT 90 Deg			1	1	1	1		
106	G01739-1	Union 1/2 NPT TO 1/2 NPT	2	2	2	2	4	4		

* NOT ILLUSTRATED

RECOMMENDED STOCK PARTS

GARLAND PARTS IDENTIFICATION

Gas Pizza Oven

Models G48P, PS, PA, PD, AND PSD

From June 1992

ITEM	PART #	DESCRIPTION	MODEL						DATE	
			QUANTITY						FROM	UP TO
			G48P	G48PS	G48PA	G48PSA	G48PD	G48PSD		
108	G01477-3	Nipple 1/2" NPT x 2" Raw	2	2	2	2	4	4		
109A	G02716-3	Dial - (Universal) Large Shaft For Thermostat Up To 3-Jun-92	1	1	1	1	2	2		3-Jun-92
	G02716-2	Dial - (Universal) Medium Shaft For On/Off Valve Up To 3-Jun-92	1	1	1	1	2	2		3-Jun-92
109B	G02725-1	Dial Insert (OFF) For On/Off Valve Up To 3-Jun-92	1	1	1	1	2	2		3-Jun-92
	G02725-15	Dial Insert (300F/650F) For Thermostat Up To 3-Jun-92	1	1	1	1	2	2		3-Jun-92
	G02725-8	Dial Insert (150C/350C)	1	1	1	1	2	2		Jun-92
114	G01916-1	Elbow 3/4 To 1/2 NPT Street Male	1	1	1	1	2	2		
115	G01738-4	Nipple 3/4 NPT x 2 1/2	1	1	1	1	2	2		
116	G01474-3	Elbow - Reducer 3/4" To 1" NPT	1	1	1	1				
117	G01738-6	Nipple 3/4 NPT x 5 3/4			1	1	1	1		
118	G01962-1	Tee 3/4 NPT Thru To 1" NPT			1	1	1	1		
119*	G02444-1-8	Oven Hearth Channel Support	1	1	1	1	2	2		
	G02444-1-5	Channel Iron (Use G02444-1-8) Used from serial #17146	1	1	1	1	2	2		
120	2127503	Regulator Natural	1	1	1	1	2	2		3-Jun-92
	2127500	Gas Regulator Propane 10"	1	1	1	1	2	2		
121	G01920-01	Thermostat Assembly - FDH (UP To Serial #119885)	1	1	1	1	2	2		3-Jun-92
122	G01919-01	Valve Assembly-Safety TJ11J Up to Serial #119885 (See item #110)	1	1	1	1	2	2		
123	G01878-1	Valve Assembly (Oven) Up to Serial #119885	1	1	1	1	2	2		
124*	1038401	Hex Seal Bushing 1/2 x 3/8								
125*	G0242-1	Caution Plate								
127*	G02776-1	Rating Plate	1	1	1	1	2	2		1-Feb-00
128*	G03676-1	Type "B" Vent Adhesive Plate								1-Feb-00
129*	G6809	Valve - Pilot # 6004-04								3-Jun-92
130*	G7227-1	Instruction Plate	1	1	1	1	1	1		3-Jun-92
131*	P62	Installation Instruction	1	1	1	1	1	1		

* NOT ILLUSTRATED

RECOMMENDED STOCK PARTS

GARLAND PARTS IDENTIFICATION

Revision History

REV. #	PAGE #	ITEM #	NOTE	DATE
2	4	44B	Item Mislabeled, was 40B	Jun 03/04
	3		Entire Book Reformatted	

NOTES

NOTES

 **GARLAND**[®]