



**Master Series Full Size
Gas Convection Ovens**

models

MCO-GS/GD-10/20 & MCO-GS/GD-10/20-S
from serial# 0709100242026 (11-Sept-2007)

MCO-GS-10/20-ESS (Energy Star)
from serial# 1106230000001 (14-June-2011)

PARTS LIST

Phone (US & Canada): 1 800 427 6668

Fax (US & Canada): 1 800 361 7745

www.Garland-Group.com

Quality Factory Replacement Parts for the World's Finest Foodservice Equipment Solutions

This parts list is updated regularly. Please find the most current revision
on our website @ www.Garland-Group.com



Master Series Full Size Gas Convection Ovens

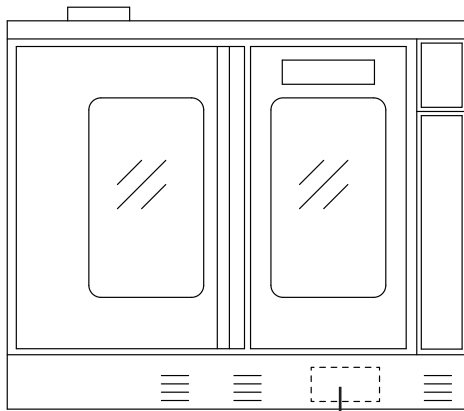
Table of Contents

Rating Plate Location / Model & Serial# Interpretation	5
Exterior Components	6
Oven Components	8
Master 200 Manual Control Panel & Components	10
Master 450/455 FASTRON Digital Control Panel & Components	12
Master 450/455 ELREHA Digital Control Panel & Components.....	16
Burner Package	20
Door Components & Assemblies	22
List of Wiring Diagrams & Available Kits	26
Critical & Recommended Stock Parts List	27
Related Bulletins	28
Revision History.....	28

Blank Page

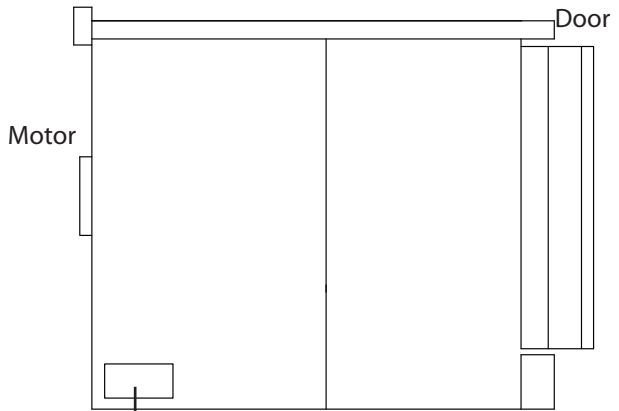
Rating Plate Location

Units Built **UPTO 31-MAR-2011**



Rating Plate
(On the Inside of Lower Front Cover)

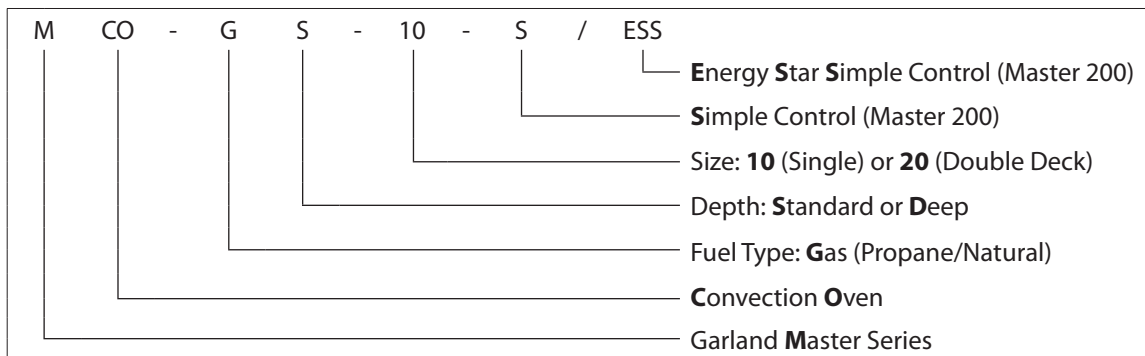
Units Built **FROM 01-APR-2011**



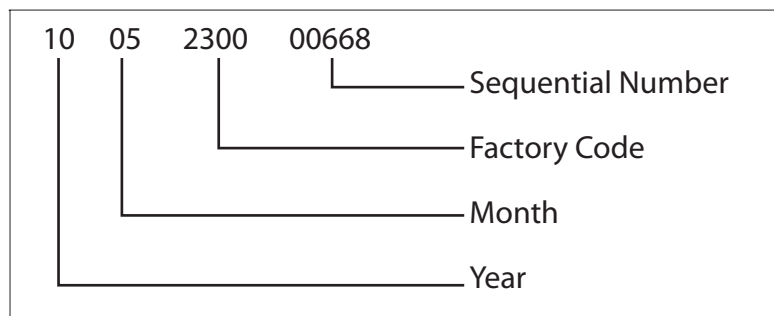
Rating Plate
(On the Outside of Left Body Side Panel)

Model Code Interpretation

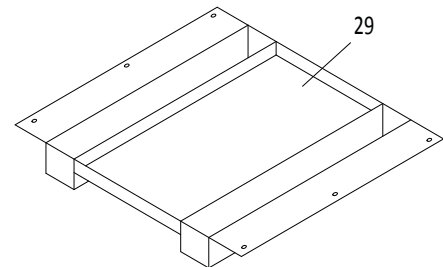
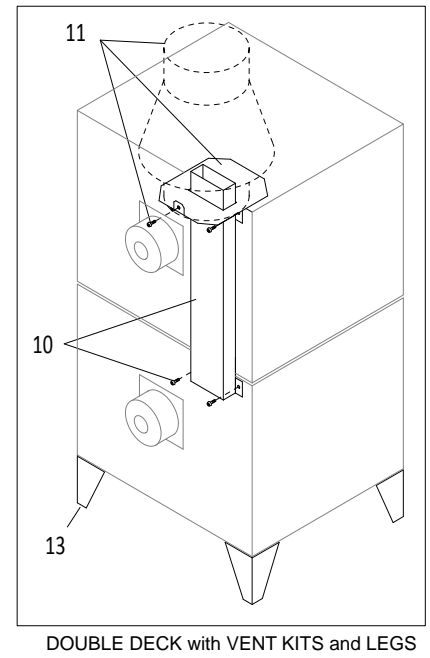
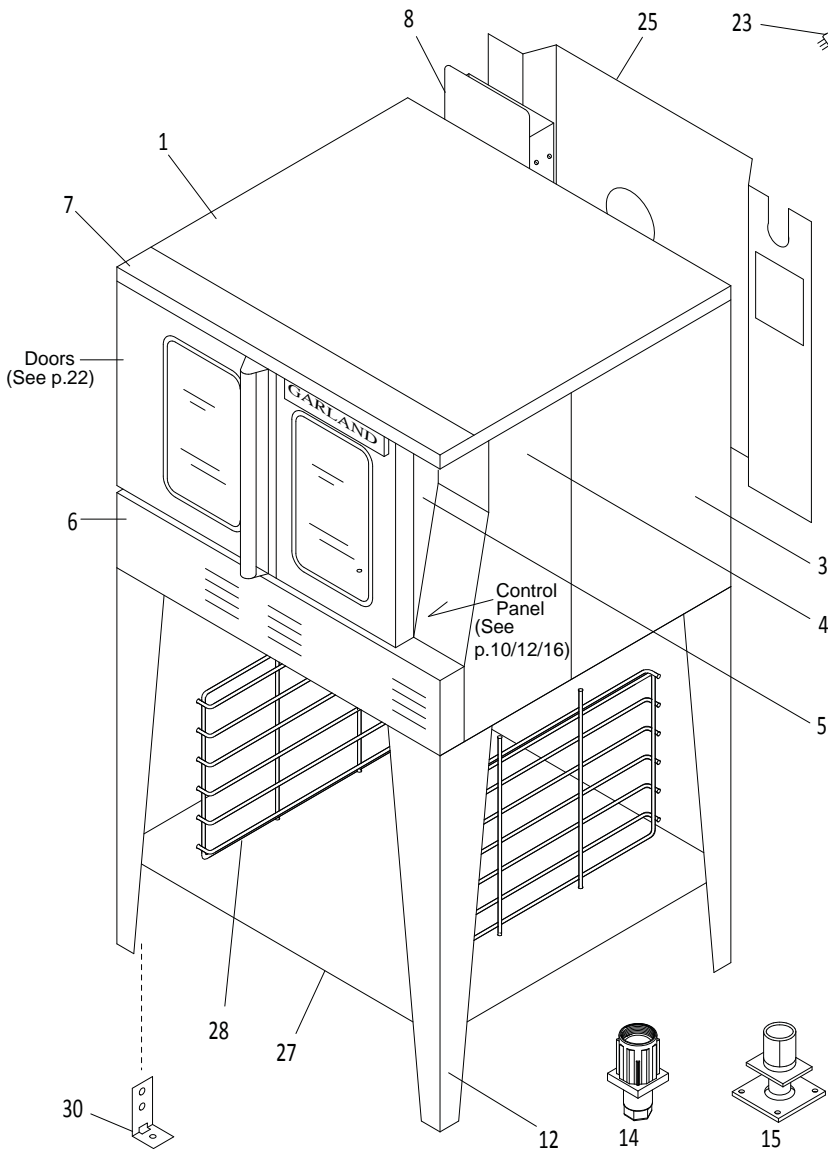
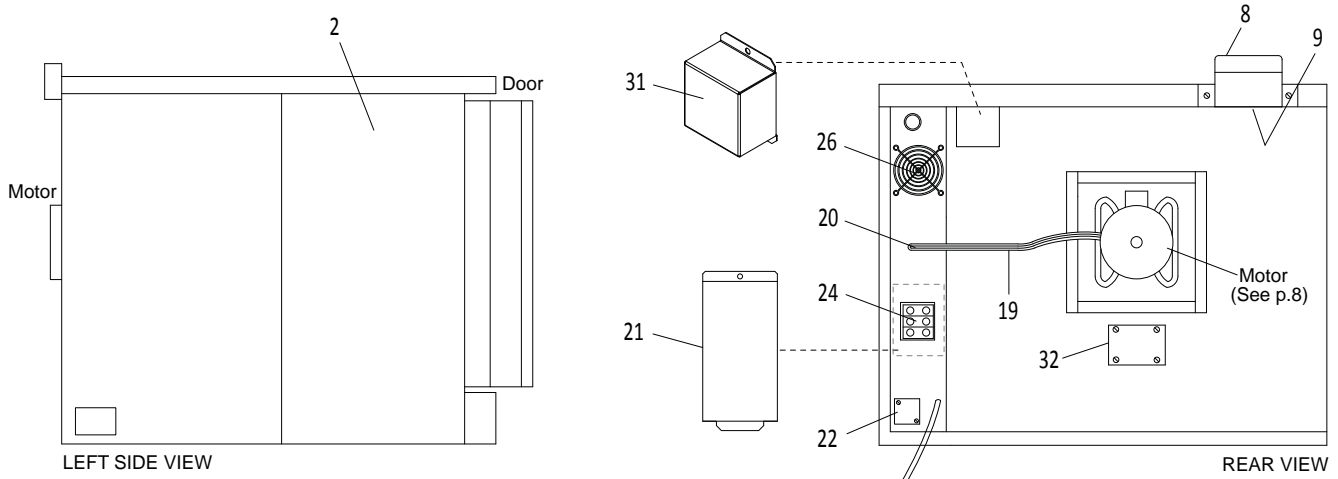
- MCO-GS-10
- MCO-GD-10
- MCO-GS-20
- MCO-GD-20
- MCO-GS-10-S
- MCO-GD-10-S
- MCO-GS-20-S
- MCO-GD-20-S
- MCO-GS-10-ESS
- MCO-GS-20-ESS



Serial# (13-Digits, Year/Month Information)



EXTERIOR COMPONENTS



Exterior Components

GARLAND PARTS IDENTIFICATION
Master Series Full Size Gas Convection Ovens
models MCO-GS/GD-10/20, MCO-GS/GD-10/20-S, MCO-GS-10/20-ESS

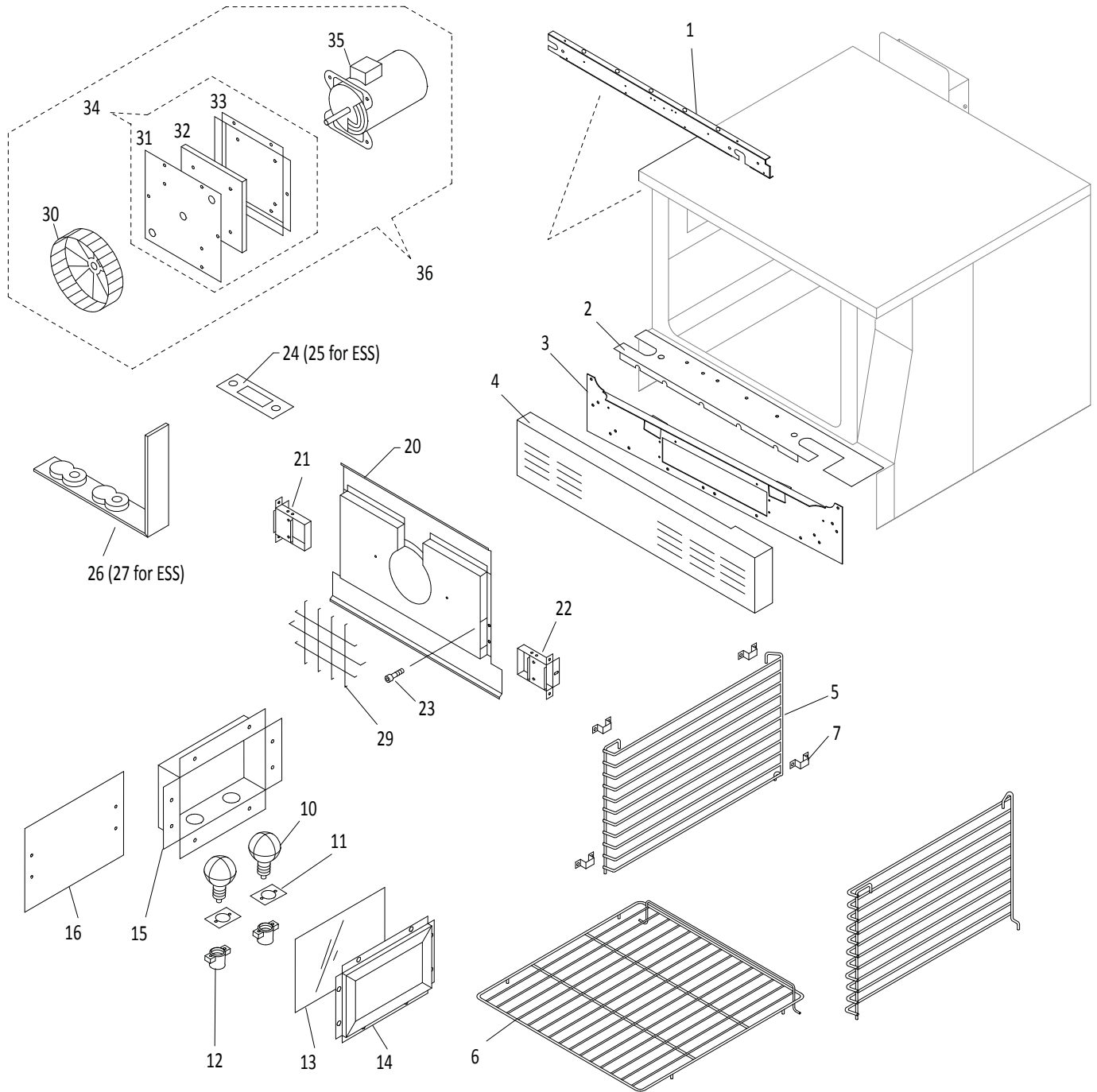
EXTERIOR COMPONENTS

ITEM	PART #	DESCRIPTION	QUANTITY		CRITICAL
			STANDARD MODELS	ENERGY STAR (-ESS)	
1	1917602	Cover - Main Top, SS	1	1	
2	1920201	Cover - Body Side, Left, SS	1	1	
3	1918701	Cover - Body Side, Right, SS	1	1	
4	1918801	Cover - Control Panel, Right, SS	1	1	
	1925999	Cover - Control Panel, Right, Prison Pack	1	1	
5	1925501	Cover - Control Panel, Left, SS	1	1	
	1925899	Cover - Lockable Control Panel, Prison Pack	1	1	
6	4519724	Cover - Lower Front Trim, SS	1	1	
6A*	8003107	#10-24 x 3/4" Machine Screw-Th-Phl (for Lower Front Trim Cover)	3	3	
7	1925301	Cover - Upper Front Trim, SS	1	1	
7A*	8002107	#10 x 1/2" Mach. Screw-Th-Phl-B Stl ZP(Upper Front Trim Cover)	3	3	
8	1919999	Vent Assembly - Outer (Standard or Deep)	1	1	
9	1919399	Vent Assembly - Standard	1	1	
	1919398	Vent Assembly - Deep	1		
10	CK1920099	Flue Assembly for Double Deck Note: Kit incl. sheet metal flue channels (1920001, 1920002) and fasteners (8002106).	1	1	
11	1951217	Direct Vent Kit (for single or double deck) Note: Kit includes Flue Adapter Plate (1953001), Direct Vent Bell (1190100), and fasteners (8002108).	1	1	
12	1927199	Leg - Single Deck, SS, for Casters, approx. 19-3/4"	4	4	
	1927197	Leg - Single Deck, SS, for Foot Inserts, 24"	4	4	
13	1927195	Leg - Double Deck, SS	4	4	
14	1236100	1-1/2" Square Foot Insert - Chrome Plated	4	4	
15	1949701	Flanged Foot Insert (Optional Feature)	4	4	
16	1775102	Caster Insert (Single Deck Only)	4	4	
17	1926501	Caster - 4" Swivel without Brake, 3/4NPT	4	4	
	1926502	Caster - 4" Swivel with Brake, 3/4NPT	4	4	
18	1926531	Heavy Duty Caster - 5" Swivel without Brake, for Double Deck	4	4	
	1926532	Heavy Duty Caster - 5" Swivel with Brake, for Double Deck	4	4	
	4524736	Caster Kit 3" Swivel NO Brake, low profile. Kit incl. two casters.	1	1	
	4524737	Caster Kit 3" Swivel WITH Brake, low profile. Kit incl. two casters.	1	1	
19	1029426	3/8 BX Cable 26" Long	1	1	
20	1028501	BX Connector - Straight	1	1	
21	1927898	Cover - External Terminal Block (208/240V Units)	1	1	
22	1928206	Plate - Line Cord Patch	1	1	
23	1029501	8' Long Power Cord (115V Gas Units)	1	1	
24	1193900	Terminal Block - 3 Pole-Hi Voltage	1	1	
25	1921001	Cover - Main Back, Std SS	1	1	
	1921003	Cover - Main Back, Deep SS	1		
	1921098	Cover - Main Back, Std Depth (Prison Pack)			
	1921089	Cover - Back, Standard Depth (Prison Pack)	1	1	
	1921097	Cover - Main Back, Deep Gas (Prison Pack)			
	1921088	Cover W/A-Deep Depth Gas (Prison Pack)	1		
26	1919001	Cooling Fan Guard - 120mm	1	1	
27	1926902	Panel - Open Base, SS	1	1	
28	1926702	Rack Guide - Lower, Open Base	2	2	
29	1926802	Support - Rack Guide, Upper	1	1	
30	1927001	Clip - Lower Rack Guide Support	4	4	
31	1916301	Probe Connector Cover	1	1	
32	1928204	Plate - Element Patch	1	1	

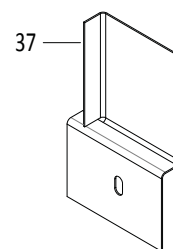
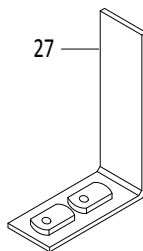
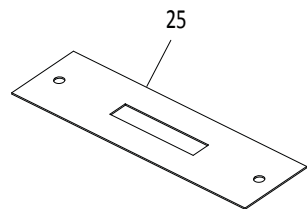
* NOT ILLUSTRATED

RECOMMENDED STOCK PARTS

OVEN COMPONENTS



For Energy Star Models
(MCO-GS-10-ESS)



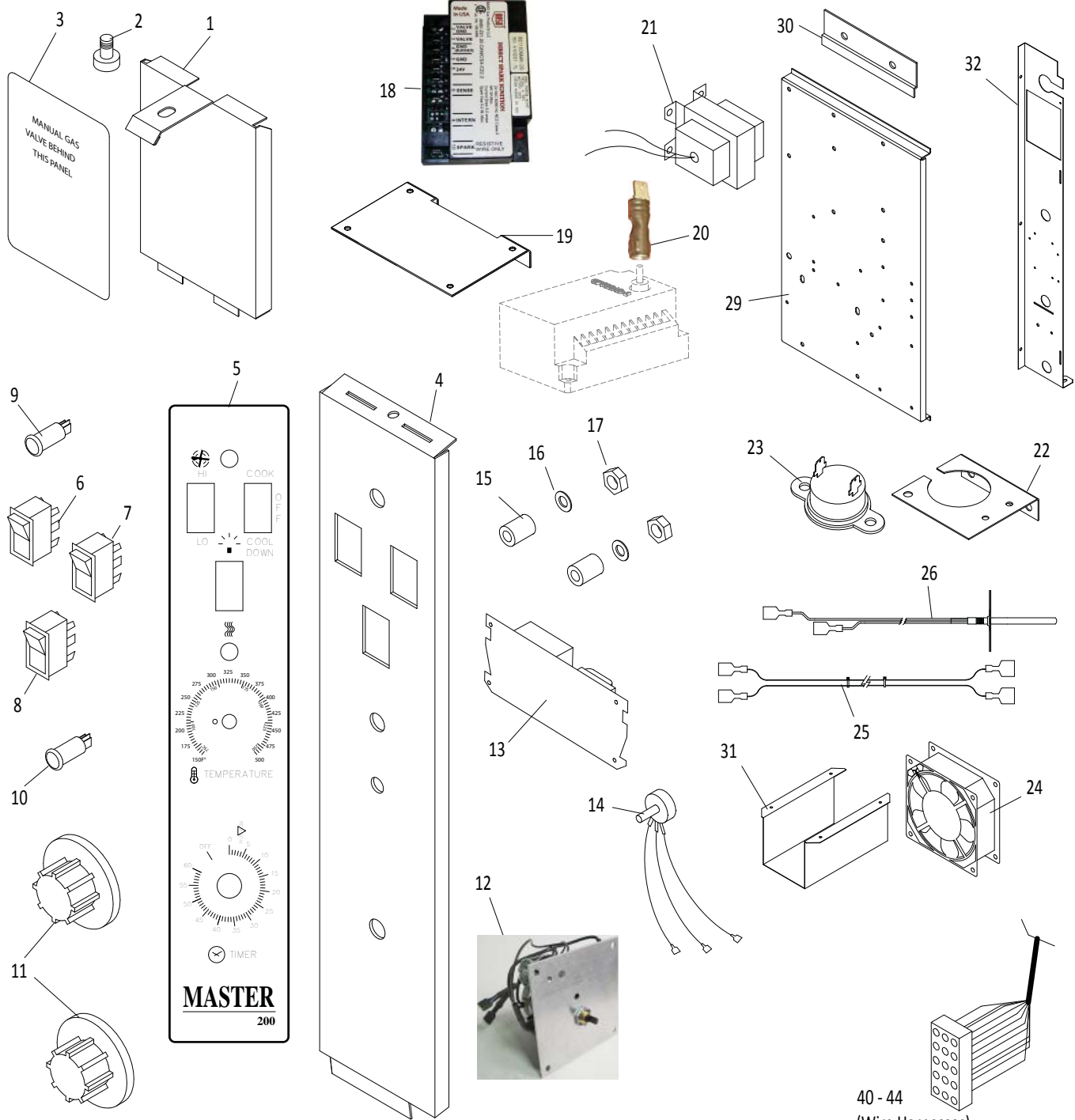
GARLAND PARTS IDENTIFICATION
Master Series Full Size Gas Convection Ovens
models MCO-GS/GD-10/20, MCO-GS/GD-10/20-S, MCO-GS-10/20-ESS

OVEN COMPONENTS

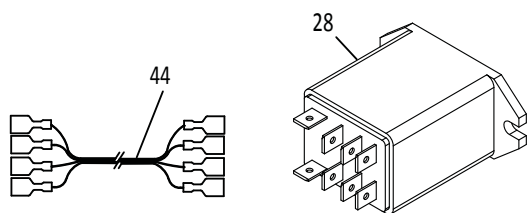
ITEM	PART #	DESCRIPTION	QUANTITY		CRITICAL
			STANDARD MODELS	ENERGY STAR (-ESS)	
1	1925201	Channel - Upper Hinge	1	1	
2	1925202	Channel - Lower Hinge	1	1	
3	1915401	Cover - Burner Box Front	1	1	
4	4519724	Cover - Lower Front Trim	1	1	
5	1922001	Oven Rack Guide - 10 Positions, Standard	2	2	
	1922002	Oven Rack Guide - 10 Positions, Deep	2		
	1922101	Oven Rack Guide - 13 Positions, Standard	2	2	
	1922102	Oven Rack Guide - 13 Positions, Deep	2		
6	1922211	Oven Rack - Standard	6	6	
	1922212	Oven Rack - Deep	6		
7	1765212	Oven Rack Clip	8	8	
10	1623900	Light Bulb - 40W	2	2	
11	1025900	Light Socket Gasket	2	2	
12	1025800	Lamp Socket - Porcelain	2	2	
13	1676901	Glass, High Temp	1	1	
14	1921801	Cover, Light Box	1	1	
15	1921902	Light Box	1	1	
16	1928299	Plate, Light Box Patch - Porcelain (for no oven lights option)	1	1	
	1928201	Plate, Light Box Patch - SS (for no oven lights option)	1	1	
20	1802999	Fan Cover	1	1	
21	1782599	Fan Cover Duct, Left	1	1	
22	1782598	Fan Cover Duct, Right	1	1	
23	8004005	1/4-20 x 3/8" Allen Head Screws	4	4	
24	1784302	Oven Vent Cap - 60K BTU	1		
	1784303	Oven Vent Cap - 80K BTU	1		
25	113386	Oven Vent Cap - 60K BTU Energy Star		1	
26	1785996	Fan Duct Restrictor - 80K BTU	2		
	1785998	Fan Duct Restrictor - 60K BTU	2		
27	113385	Fan Duct Restrictor, Energy Star Models		2	
29	G02904-01P	Blower Inlet Cover	1	1	
30	G02952-01P	Blower Wheel Assembly Plated	1	1	
31	1916401	Plate, Motor Pocket Front	1	1	
32	1915921	Insulation - Motor Pocket	1	1	
33	1916402	Motor Pocket Back	1	1	
34	1916499	Motor Pocket Assembly	1	1	
35	1686711	Motor 3/4 HP, 115V, 2 Speed	1	1	
	1686712	Motor 3/4 HP, 208/240V, 2 Speed	1	1	
36	CK1003090	Motor Assembly - 2 Speed - 115V	1	1	C
	CK1003091	Motor Assembly - 2 Speed - 208/240 V	1		C
37	113532	Diverter Bracket, Energy Star		1	
38*	113361	Insulation Kit - Standard Depth	1	1	
	113364	Insulation Kit - Deep Depth	1		
39*	1959401	Drip Pan - S/S, Standard Depth	1	1	
	1959402	Drip Pan - S/S, Deep Depth	1		

* NOT ILLUSTRATED

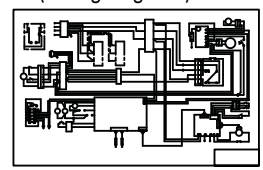
RECOMMENDED STOCK PARTS



**For Energy Star Models
(MCO-GS-10-ESS)**



50 (Wiring Diagrams)



GARLAND PARTS IDENTIFICATION
Master 200 Series Full Size Gas Convection Ovens
models MCO-GS/GD-10/20-S, MCO-GS-10/20-ESS

MASTER 200 MANUAL CONTROL PANEL & COMPONENTS

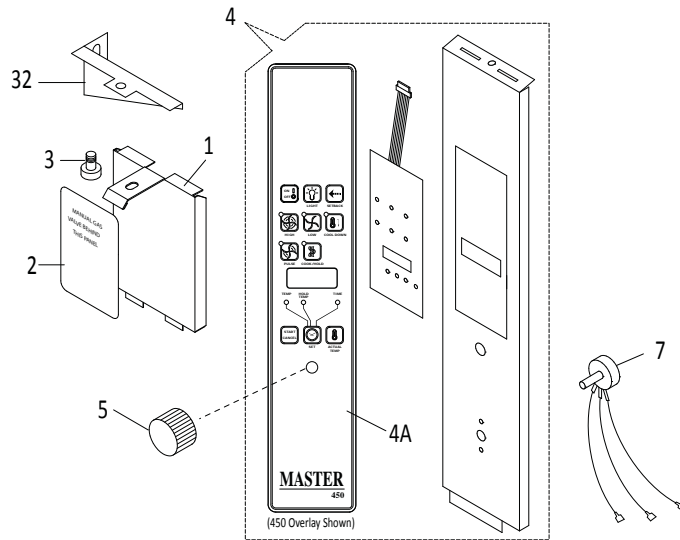
ITEM	PART #	DESCRIPTION	QUANTITY		CRITICAL
			STANDARD MODELS	ENERGY STAR (-ESS)	
1	1918501	Cover - Upper Control Panel, SS	1	1	
2	GF297	#10-24 x 1/2" Slotted Thumb Screw	1	1	
3	1789605	Overlay - Top Control Pane, Gas	1	1	
4	1946690	Control Panel Mechanical	1	1	
5	1908526	Overlay - IM200 Manual Control	1	1	
6	1955402	Rocker Switch - 2 Positions, Hi/Low	1	1	
7	1955401	Rocker Switch - 3 Positions, Cook/Off/CoolDown	1	1	C
8	1955403	Momentary Rocker Switch	1	1	
9	1936101	Indicator Lamp - Green, 120V for 115V-MCO	1	1	
	1936102	Indicator Lamp - Green, 250V for 208/240V-MCO	1	1	
10	1936103	Indicator Lamp - Amber 28V	1	1	
11	1765802	Fluted Knob with two Set Screws	2	2	
12	1956001	Timer - 1 Hour, with Alarm, 50/60Hz, 115V for 115V-MCO	1	1	C
	1956002	Timer - 1 Hour, with Alarm, 50/60Hz, 240V for 208/240V-MCO	1	1	C
13	300867	Power Control Board 150-500 deg F (Ref: Bulletin GAR-03-12-AIC)	1	1	C
14	1955601	Potentiometer	1	1	C
15	1955701	Nylon Standoff - 1/4 x 1/2 x 1	2	2	
16	1955801	Teflon Washer - 7/16 OD	2	2	
17	8001502	Nut with Lockwasher - 6-32 Kep, Zinc	2	2	
18	4521585	DSI Ignition Module	1	1	C
19	4522605	Bracket - DSI Ignition Module	1	1	
20	1666300	1/4 Spade To Rajh Type Adaptor			
21	1269899	Transformer, Class 2, 120V to 24VAC w/Insulated Slipon Terminal	1	1	C
	1636000	Transformer - Primary 208/240V - Secondary 24V	1	1	C
22	4519862	Bracket - Wireway Hi Limit	1	1	
23	1955101	Switch - Thermal Disc, Cooling	1	1	C
24	1671100	Polar Fan 115V (For Fan Installation, see Bulletin B-97-2009-S)	1	1	C
25	1906003	Cable Assembly - Probe Extension (USE ONLY WITH 1906002)	1	1	C
26	1906002	Probe - RTD, Flange Mount (USE ONLY WITH 1906003)	1	1	C
27*	105966	Relay 120V, ESS		1	
28	300852	Relay 220-240V, ESS		1	
29	1933406	Bracket - Ignition Control	1	1	
30	1911301	Relay Bracket Slide	2	2	
31	1918001	Air Exhaust Duct - Standard Depth	1	1	
	1918002	Air Exhaust Duct - Deep Depth	1		
32	1926001	Panel - Right Side, Mid	1	1	
40*	1949599	Wire Harness - 115V 60HZ Gas	1	1	
	1949598	Wire Harness - 208/240V 60Hz Gas	1	1	
41*	1949576	Wire Harness - Mechanical Control Panel	1	1	
42*	1949579	Wire Harness - Lights	1	1	
43*	1936095	Wire Harness - Ignition Module (IPI/DSI)	1	1	
44	300829	Wire Harness - Two-Stage Gas Valve, ESS		1	
50*	1949511	Wiring Diagram - 115V 60Hz, Gas, Mechanical Control	1		
	1949512	Wiring Diagram - 208/240V, Gas, Mechanical Control	1		
	300830	Wiring Diagram - 15V, 60Hz, Gas, Mechanical Control, ESS		1	
	300837	Wiring Diagram - 208/240V, 60Hz, Gas, Mechanical Control, ESS		1	
Note: Diagram part#s listed For Reference Only. Please contact Technical Service for assistance.					
51*	4522593	Conversion Kit - from Digital to Manual Controller FOR MCO with FASTRON Controller(p.12) Note: Kit includes items 4, 5, 6, 7, 8, 9(1936101), 10, 11, 12(1956001), 13, 14, 15, 16, 17, 41, door micro-switch (4519715), switch harness(1949575), transition harness(4522524), wiring diagram(4522595), and instructions.			

* NOT ILLUSTRATED

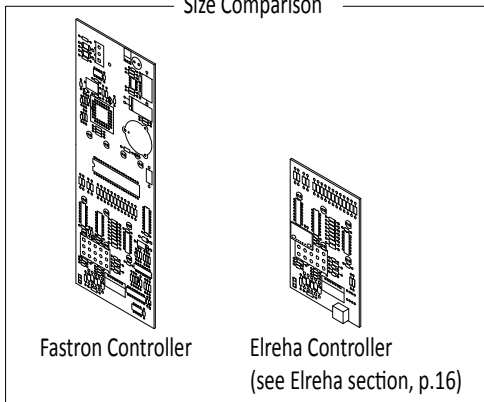
RECOMMENDED STOCK PARTS

G_GO_PL_CONVECTION_MCOGSGD10 (Rev 7)

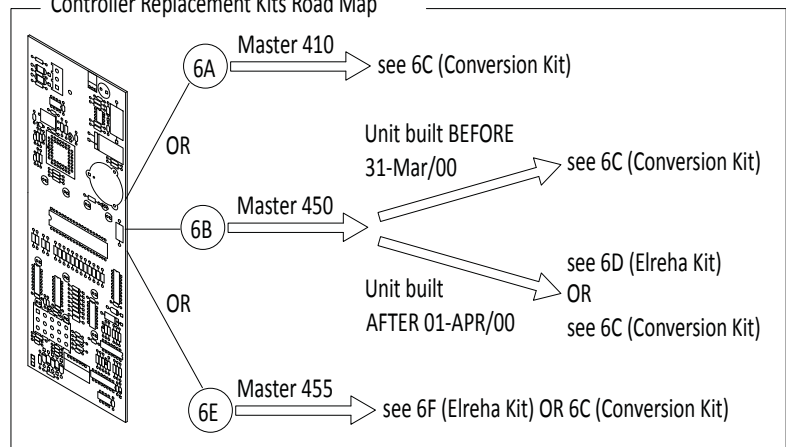
Page 11



Size Comparison

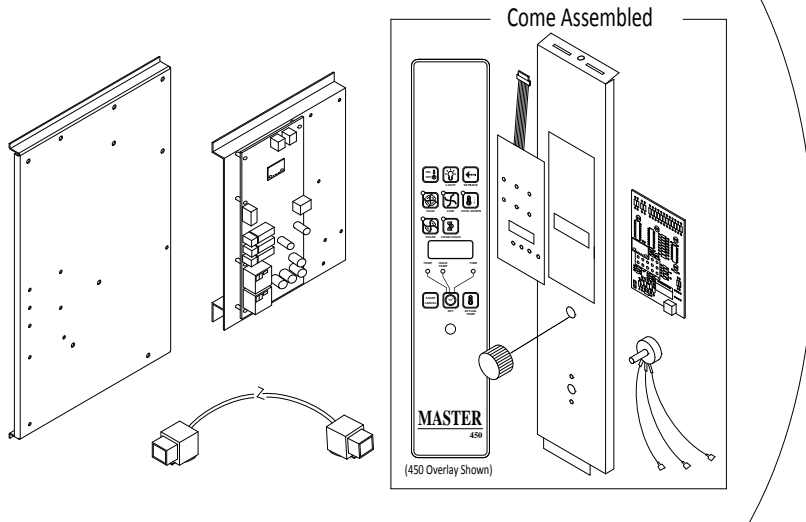


Controller Replacement Kits Road Map

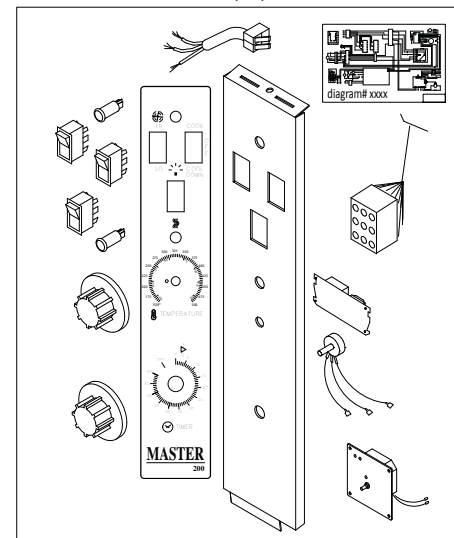


Controller Replacement Kits (6D / 6F)

Convert from Fastron to Elreha controller



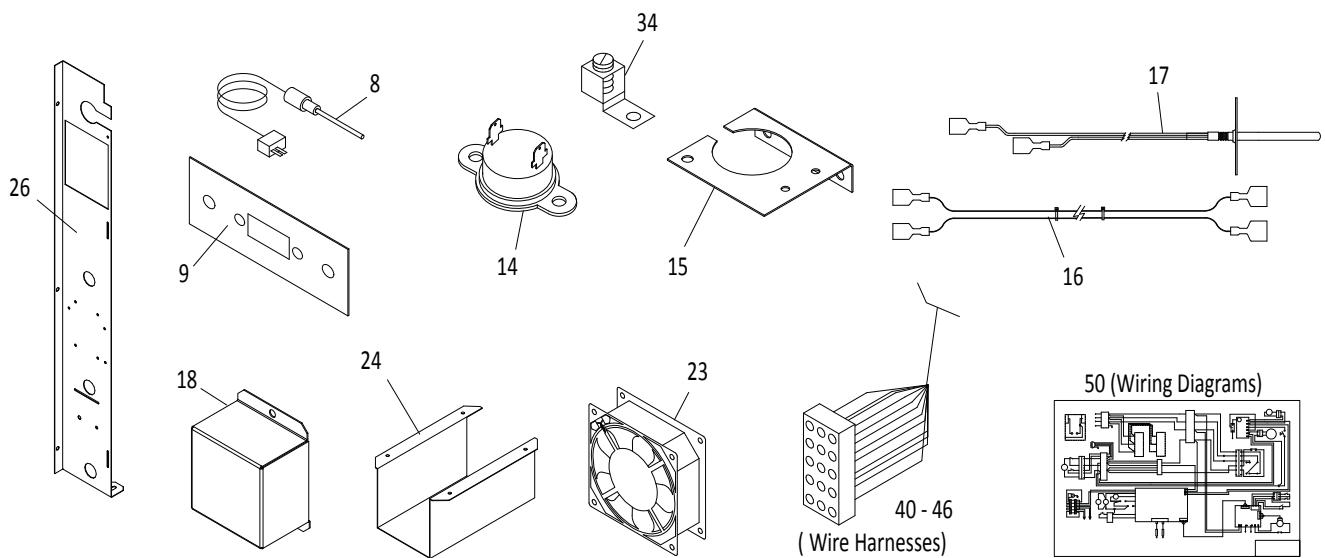
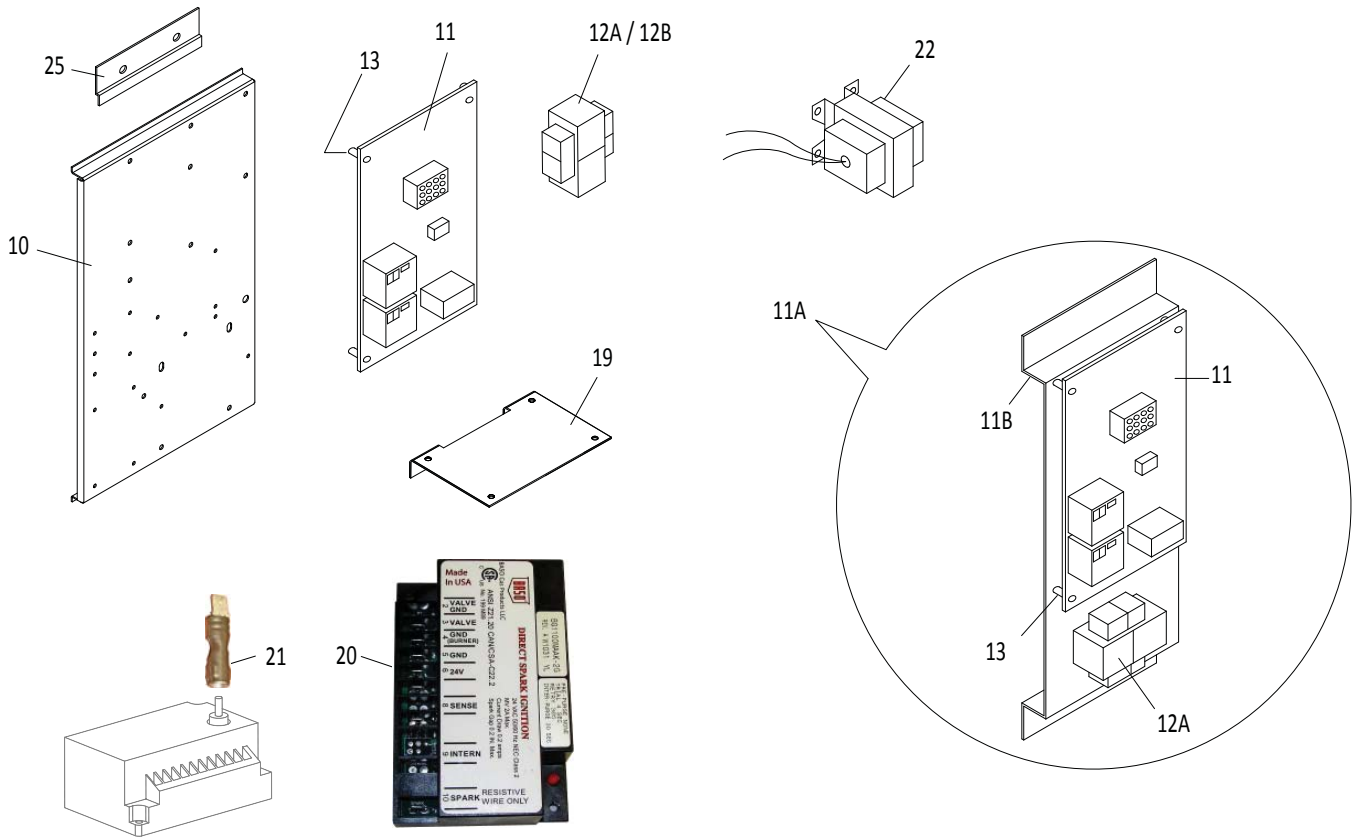
Controller Conversion Kit (6C)





Master 450/455 Series Full Size Gas Convection Ovens
models MCO-GS/GD-10/20

(FASTRON) DIGITAL CONTROL PANEL & COMPONENTS 20F2



GARLAND PARTS IDENTIFICATION
Master 450/455 Series Full Size Gas Convection Ovens
models MCO-GS/GD-10/20

(FASTRON) MASTER 450/455 DIGITAL CONTROL PANEL & COMPONENTS

ITEM	PART#	DESCRIPTION	QTY	CRITICAL
1	1918501	Cover - Upper Control Panel, SS	1	
2	1789605	Overlay Top Control Panel Gas	1	
3	GF297	#10-24 x 1/2" Slotted Thumb Screw / Knurled Screw	1	
4	1952898	Control Panel Assembly - Master 450 Keypad, with Light Note: Assembly Includes a S/S Panel, a Key-Pad Control and Overlay (1908503). S/S Panel and Key Pad Not Sold Separately.	1	
	CK1952897	Control Panel Assembly - Master 455 Keypad, with Light Note: Assembly Includes a S/S Panel, a Key-Pad Control and Overlay (1908505). S/S Panel and Key Pad Not Sold Separately.	1	
4A	1908503	Overlay - Master 450 with Light	1	
	1908505	Overlay - Master 455 with Light	1	
5	1720502	Fluted Knob (Fast Control Knob)	1	
6A	1905702	Master 410 Digital Controller Note: Use Kit 4522593 (#6C) Ref: Bulletin# BI-06-2012-P.	NLA	C
6B	1905703	Master 450 Digital Controller with Cook-N-Hold Note: Use Kit 4522593 (#6C) or 4529705 (#6D). See road map in illustration. Ref: Bulletin# BI-06-2012-P.	NLA	C
6C	4522593	Controller Replacement/Conversion Kit (Gas) - from digital to manual control Note: This Kit is the ONLY OPTION available for any unit built before 31-March/2000. For a list of components in this Kit, see Master 200 Manual Control (p.11, item 51). Ref: Bulletin# BI-06-2012-P.	1	C
6D	4529705	Controller Replacement Kit - MCO 450 (Gas/Electric), Elreha Note: Use this Kit for any unit manufactured after 01-April/2000. Kit includes a panel assembly with Elreha control, a relay board assembly, a cable, a bracket and instructions (4529741). Ref: Bulletin# BI-06-2012-P.	1	C
6E	1905704	Master 455 Digital Controller with Cook-N-Hold and Core Probe Note: Use Kit 4529706 (item 6F). Ref: Bulletin# BI-06-2012-P.	NLA	C
6F	4529706	Controller Replacement Kit - MCO 455 (Gas/Electric), Elreha Note: Kit includes a panel assembly with Elreha control, a relay board assembly, a cable, a bracket and instructions (4529741). Ref: Bulletin# BI-06-2012-P.	1	C
7	1911601	Potentiometer - Encoder	1	C
8	1906004	Core Probe (Meat Probe) - for IM455 Control Only	1	
9	1946701	Core Probe Bracket - for IM455 Control Only	1	
10	1933406	Bracket - Ignition Control for units with Fastron Control.	1	
11	1916901	Relay Board PCB Assy	1	C
11A	S113850	Relay Board Assembly Kit - 120V Note: Kit includes PCB Asm (1916901/item 11), transformer (1917199/item 12A), bracket (1916801/item 11B), nylon spacers and fasteners.	1	
11B	1916801	Bracket - Relay Board Assembly	1	
12A	1917199	Transformer 120V to 24VAC	1	C
12B	1917198	Transformer 208/240V to 24VAC	1	C
13	1767901	Nylon PCB Spacer	4	

* NOT ILLUSTRATED

RECOMMENDED STOCK PARTS

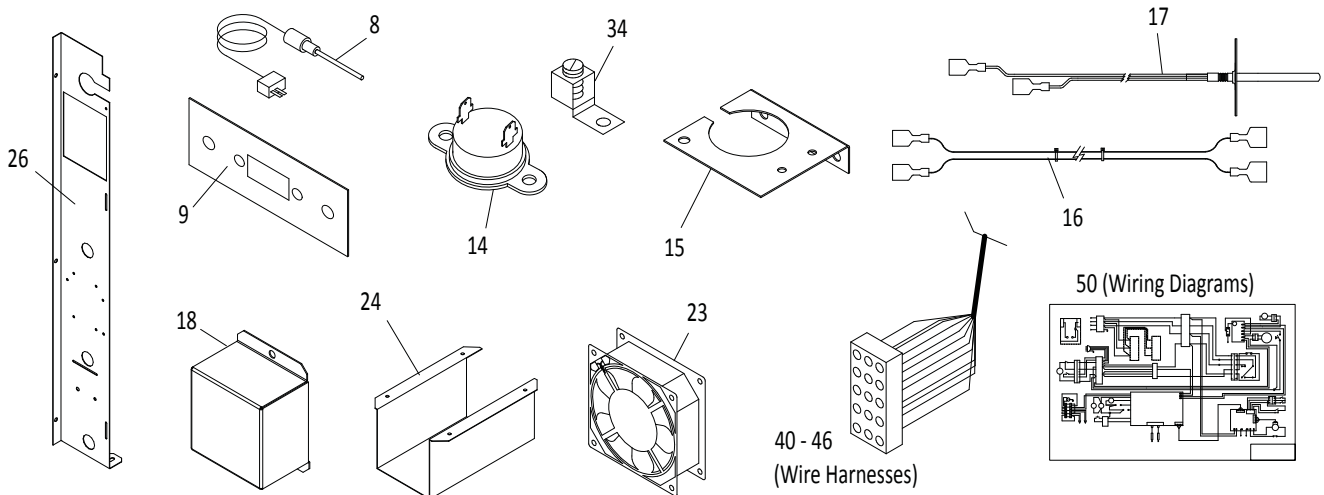
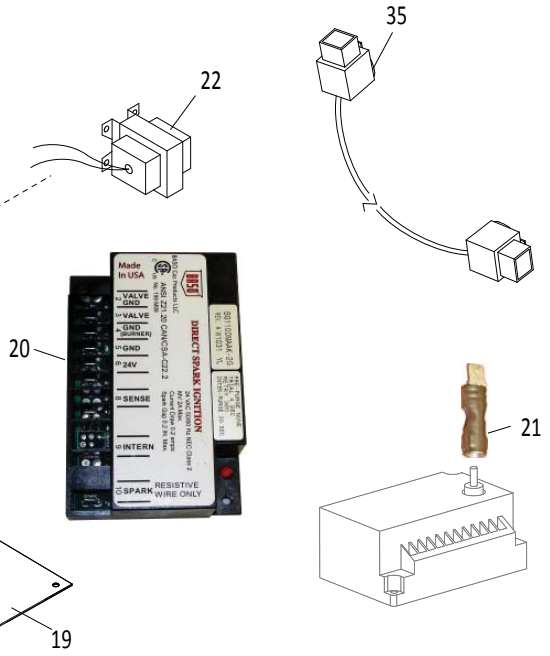
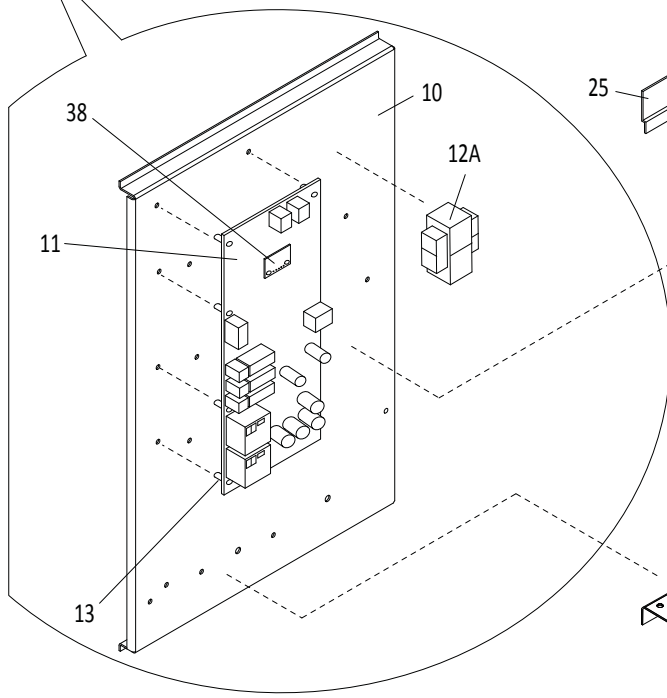
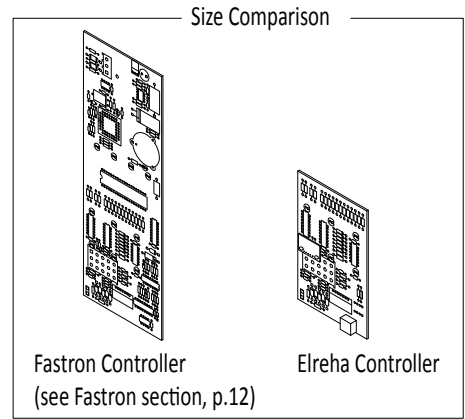
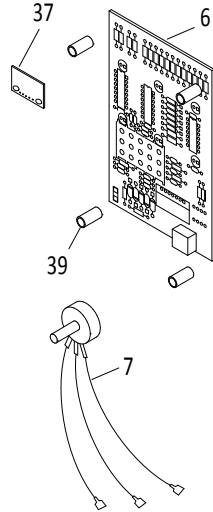
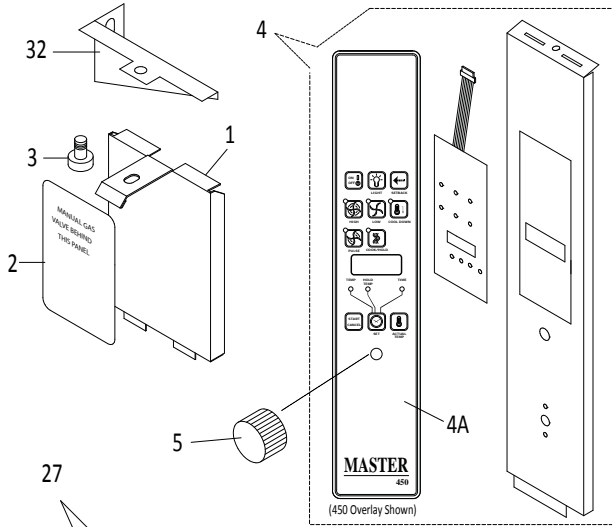
GARLAND PARTS IDENTIFICATION
Master 450/455 Series Full Size Gas Convection Ovens
models MCO-GS/GD-10/20

(FASTRON) MASTER 450/455 DIGITAL CONTROL PANEL & COMPONENTS

ITEM	PART#	DESCRIPTION	QTY	CRITICAL
14	1955101	Switch - Thermal Disc, Cooling Fan	1	C
15	4519862	Bracket - Thermal Disc Switch	1	
16	1906003	Cable Assembly - Probe Extension (USE ONLY WITH 1906002)	1	C
17	1906002	Probe - RTD, Flange Mount (USE ONLY WITH 1906003)	1	C
18	1916301	Cover - Probe Connector	1	
19	4522605	Bracket - DSI Ignition Module	1	
20	4521585	DSI Ignition Module	1	C
21	1666300	1/4 Spade To Rajh Type Adaptor	1	
22	1269899	Transformer - Class 2, 120V to 24V (with Insulated Slip on Terminal), for 115V-unit	1	C
	1636000	Transformer - 24VAC, for 208/240V-unit	1	C
23	1671100	Polar Fan 115V Note: For Fan Installation, refer to Service Bulletin B-97-2009-S.	1	C
	1671101	Cooling Fan 208 / 240 V Note: For Fan Installation, refer to Service Bulletin B-97-2009-S.	1	C
24	1918001	Air Exhaust Duct - Standard Depth	1	
	1918002	Air Exhaust Duct - Deep Depth	1	
25	1911301	Relay Bracket Slide	2	
26	1926001	Panel - Right Side, Mid	1	
32	1918902	Bracket - Upper Control Panel Mounting	1	
34	1028402	Ground Lug (208/240V 1920102 module)	1	
40*	1949599	Wire Harness - 115V 60Hz Gas	1	
	1949598	Wire Harness - 208/240V 60Hz Gas	1	
41*	1949578	Wire Harness - Relay Board	1	
42*	1949596	Main Wire Harness for Arby's	1	
43*	1905901	Harness - Control to Relay	1	
44*	1905902	Wire Harness - Core Probe, for Master 455 Control Only	1	
45*	1949579	Wire Harness - Lights	1	
46*	1936095	Wire Harness - Ignition Module (IPI/DSI)	1	
50*	1949501	Wiring Diagram 115V 60Hz Gas Fast Control	1	
	1949502	Wiring Diagram 208/240V Gas Fast Control	1	
Note: Diagram part#s listed For Reference Only. Please contact Technical Service for assistance.				

* NOT ILLUSTRATED

RECOMMENDED STOCK PARTS



GARLAND PARTS IDENTIFICATION
Master 450/455 Series Full Size Gas Convection Ovens
models MCO-GS/GD-10/20

(ELREHA) MASTER 450/455 DIGITAL CONTROL PANEL & COMPONENTS

ITEM	PART #	DESCRIPTION	QTY	CRITICAL
1	1918501	Cover - Upper Control Panel, SS	1	
2	1789605	Overlay Top Control Panel Gas	1	
3	GF297	#10-24 x 1/2" Slotted Thumb Screw / Knurled Screw	1	
4	4530502	Master 450 Keypad Panel Kit (Elreha) Note: Assembly includes a S/S Control Panel, a Master 450 Overlay (4529263), and a Key Pad Control(Membrane Switch). S/S Panel and Key Pad Not Sold Separately.	1	
	4530503	Master 455 Keypad Panel Kit (Elreha) Note: Assembly includes a S/S Control Panel, a Master 455 Overlay (4529265), and a Key Pad Control(Membrane Switch). S/S Panel and Key Pad Not Sold Separately.	1	
4A	4529263	Overlay - Master 450 with Light, Elreha	1	
	4529265	Overlay - Master 455 with Light, Elreha	1	
5	1720502	Fluted Knob (Fast Control Knob)	1	
6	4527483	User Interface Board / UI Board (Elreha)	1	
7	1911601	Potentiometer - Encoder	1	C
8	1906004	Core Probe (Meat Probe) - for Master 455 Control Only	1	
9	1946701	Core Probe Bracket - for Master 455 Control Only	1	
10	4528498	Bracket - Ignition Control/SRB, Elreha	1	
11	4527484	Relay Board / SRB - Digital Control, Elreha	1	C
12A	1917199	Transformer 120V to 24VAC	1	C
12B*	1917198	Transformer 208/240V to 24VAC	1	C
13	1767901	Nylon Spacers	8	
14	1955101	Switch - Thermal Disc, Cooling Fan	1	C
15	4519862	Bracket - Thermal Disc Switch	1	
16	1906003	Cable Assembly - Probe Extension (USE ONLY WITH 1906002)	1	C
17	1906002	Probe - RTD, Flange Mount (USE ONLY WITH 1906003)	1	C
18	1916301	Cover - Probe Connector	1	
19	4522605	Bracket - DSI Ignition Module	1	
20	4521585	DSI Ignition Module	1	C
21	1666300	1/4 Spade To Rajh Type Adaptor	1	
22	1269899	Transformer - Class 2,120V to 24V (with Insulated Slip on Terminal), for 115V-unit	1	C
	1636000	Transformer - 24VAC, for 208/240V-unit	1	C
23	1671100	Polar Fan 115V Note: For Fan Installation, refer to Service Bulletin B-97-2009-S.	1	C
	1671101	Cooling Fan 208 / 240 V Note: For Fan Installation, refer to Service Bulletin B-97-2009-S.	1	C
24	1918001	Air Exhaust Duct - Standard Depth	1	
	1918002	Air Exhaust Duct - Deep Depth	1	
25	1911301	Relay Bracket Slide	2	
26	1926001	Panel - Right Side, Mid	1	
27	S113848	Relay Board Assembly - Gas, Elreha Note: Assembly includes a mounting panel, relay board, personality module, transformer (1917199), and fasteners.	1	
32	1918902	Bracket - Upper Control Panel Mounting	1	
34	1028402	Ground Lug (208/240V 1920102 module)	1	
35	4529003	Cable - UI/SRB 0.5M Elreha	1	
37	4529740	Personality Module on UI, Elreha	1	

* NOT ILLUSTRATED

RECOMMENDED STOCK PARTS

GARLAND PARTS IDENTIFICATION
Master 450/455 Series Full Size Gas Convection Ovens
models MCO-GS/GD-10/20

(ELREHA) MASTER 450/455 DIGITAL CONTROL PANEL & COMPONENTS

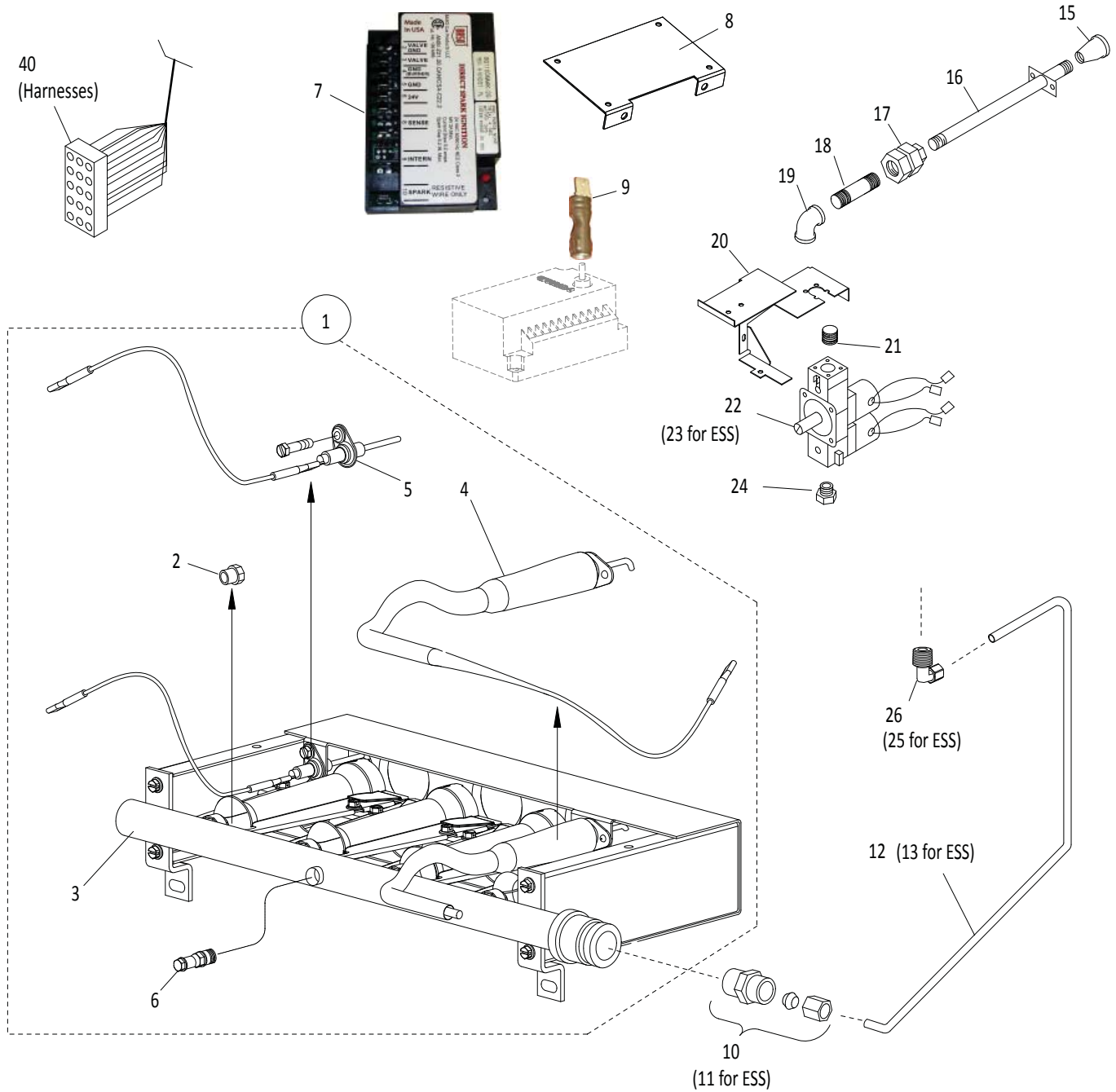
ITEM	PART #	DESCRIPTION	QTY	CRITICAL
38	4529761	Personality Module on Relay Board/SRB, Elreha	1	
39	1955703	Standoff Nylon, 1/4" dia.	4	
40*	1949599	Wire Harness - 115V 60Hz Gas	1	
	1949598	Wire Harness - 208/240V 60Hz Gas	1	
41*	1949578	Wire Harness - Relay Board	1	
44*	1905902	Wire Harness - Core Probe, for Master 455 Control Only	1	
45*	1949579	Wire Harness - Lights	1	
46*	1936095	Wire Harness - Ignition Module (IPI/DSI)	1	
50*	1949501	Wiring Diagram 115V 60Hz Gas Fast Control	1	
	1949502	Wiring Diagram 208/240V Gas Fast Control	1	
Note: Diagram part#s listed For Reference Only. Please contact Technical Service for assistance.				

* NOT ILLUSTRATED

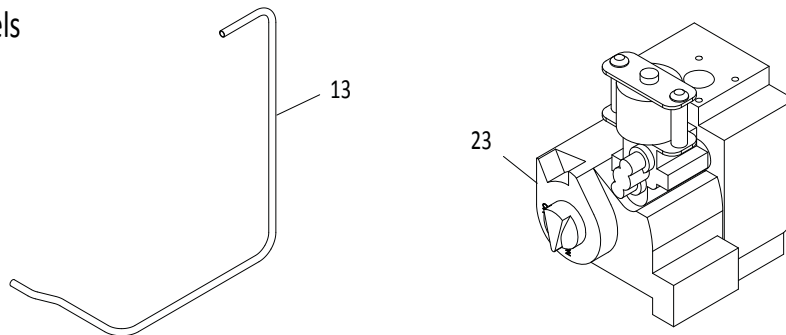
RECOMMENDED STOCK PARTS

Blank Page

BURNER PACKAGE



For Energy Star Models
(MCO-GS-10-ESS)



GARLAND PARTS IDENTIFICATION
Master Series Full Size Gas Convection Ovens
models MCO-GS/GD-10/20, MCO-GS/GD-10/20-S, MCO-GS-10/20-ESS

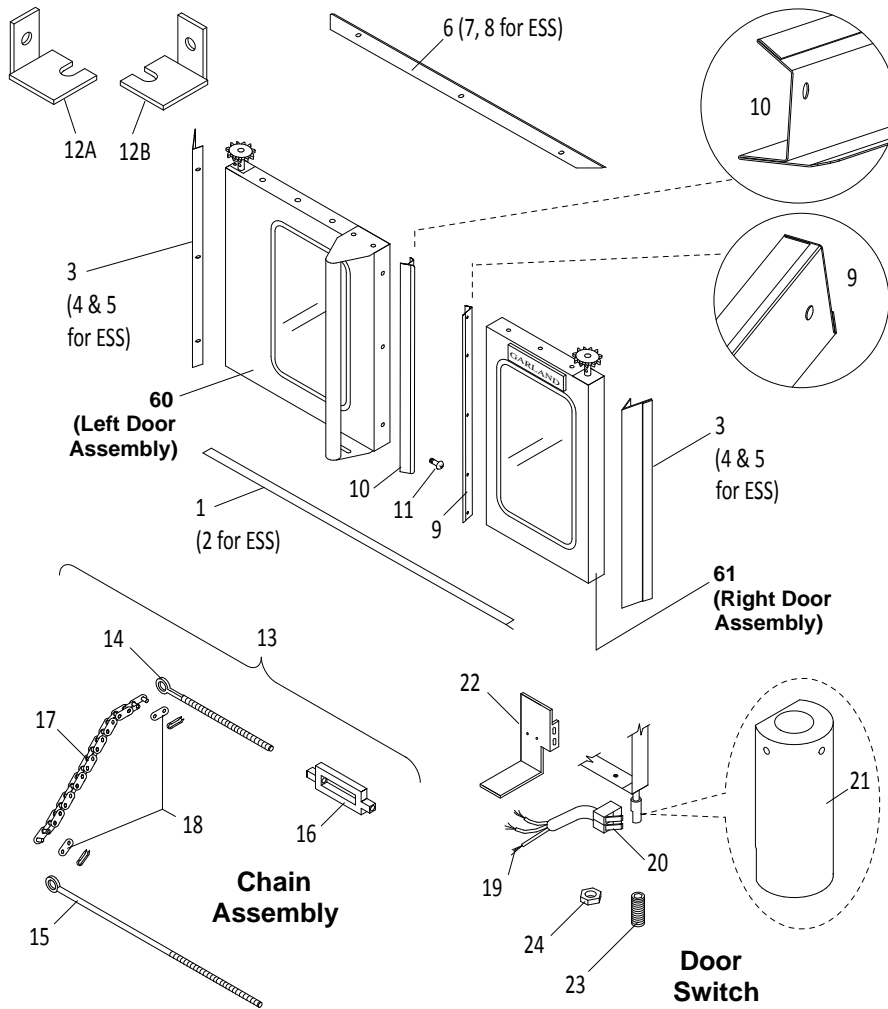
BURNER PACKAGE

ITEM	PART #	DESCRIPTION	QUANTITY		CRITICAL
			STANDARD MODELS	ENERGY STAR (-ESS)	
1	4521462	Burner Pack - DSI MCO 60K Natural	1	1	
	CK4521468	Burner Pack Converted - DSI MCO 80K Natural	1		
	CK4521464	Burner Pack Converted - DSI MCO 60K Propane	1		
2	4521466-04	Orifice, DSI MCO 80K Natural #47 Note: Use with Burner Pack CK4521468.	4		
	4521466-01	Orifice, DSI MCO 60K Propane #56 Note: Use with Burner Pack CK4521464.	4		
3	1916101	Manifold Pipe	1	1	
4	4523414	Ignitor - DSI Burner Pack	1	1	C
5	4523415	Flame Sensor - DSI Burner Pack	1	1	C
6	02251-1	Pressure Test Spigot	1	1	
7	4521585	DSI Ignition Module	1	1	C
8	4522605	Bracket - DSI Ignition Module	1	1	
9	1666300	1/4 Spade To Rajh Type Adaptor	1		
10	1095499	Straight Connector Assembly - 3/8 NPT x 7/16 CC (Includes Nut & Ferrule)	1		
11*	06202	Straight Connector Assembly - 1/2"		1	
12	1934308	Tubing - Gas Valve to Manifold	1		
13	113645	Tubing - Gas Valve to Manifold, Energy Star		1	
15	1004849	Bell Reducer - 3/4 to 1/2 NPT	1	1	
16	1916199	Tailpipe - Standard	1	1	
	1916198	Tailpipe - Deep	1		
17	1026903	Union - 1/2" NPT (OBSOLETE, USE 21302)	1		
	21302	Union - 1/2" NPT, Black	1	1	
18	1004644	Short Nipple - 1/2" NPT x 3" Long (OBSOLETE, USE 14332)	1		
	14332	Nipple - 1/2" NPT x 3", Black	1	1	
19	1026733	90 Degree Street Elbow (USE 1926703 FROM NOV-2009)	1		
	1026703	1/2" NPT x 90 Degree Elbow (OBSOLETE, USE 05249)	1		
	05249	1/2" NPT x 90 Degree Elbow	1	1	
20	1918999	Bracket, Gas Valve Mount	1	1	
21	1004640	Close Nipple - 1/2" NPT x 1" Long (USE 14323)			
	14323	Close Nipple - 1/2" NPT x 1" Long	1	1	
22	1935701	Gas Valve - Natural, Dual W/Shut 4"	1		C
	1935702	Gas Valve - Propane, Dual W/Shut 10"	1		C
23	300828	Gas Valve - 2 Stage - Natural Gas (Energy Star)		1	C
24	1038401	Hex Reducer Bushing 1/2 NPT to 3/8 NPT (OBSOLETE, USE 02558)	1		
	02558	Hex Bushing 1/2 x 3/8 NPT Black	1		
25*	06205	90 deg. Male Connector Assembly 1/2" Tube 1/2" Pipe Thread		1	
26	1027499	90 deg. Male Connector Assembly 7/16 CC x 3/8 NPT (includes a 7/16 CC Nut and a 7/16 CC Ferrule)	1		
40*	1936095	Wire Harness - Ignition Module (IPI/DSI)	1	1	

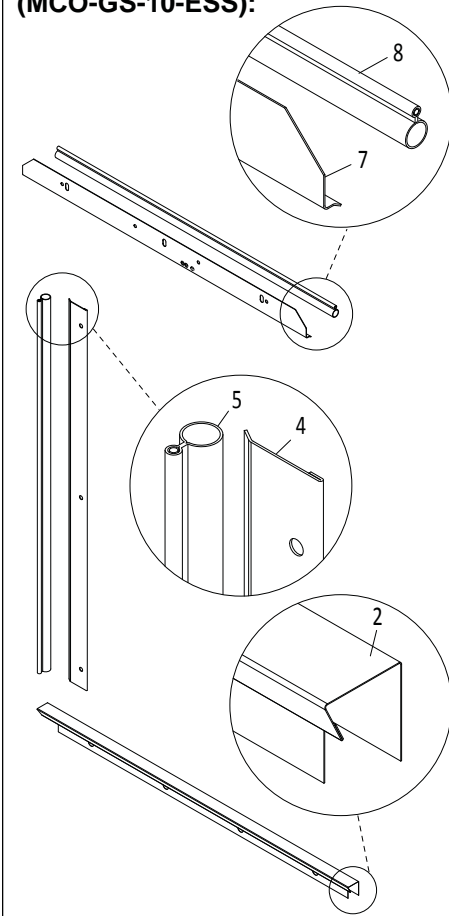
* NOT ILLUSTRATED

RECOMMENDED STOCK PARTS

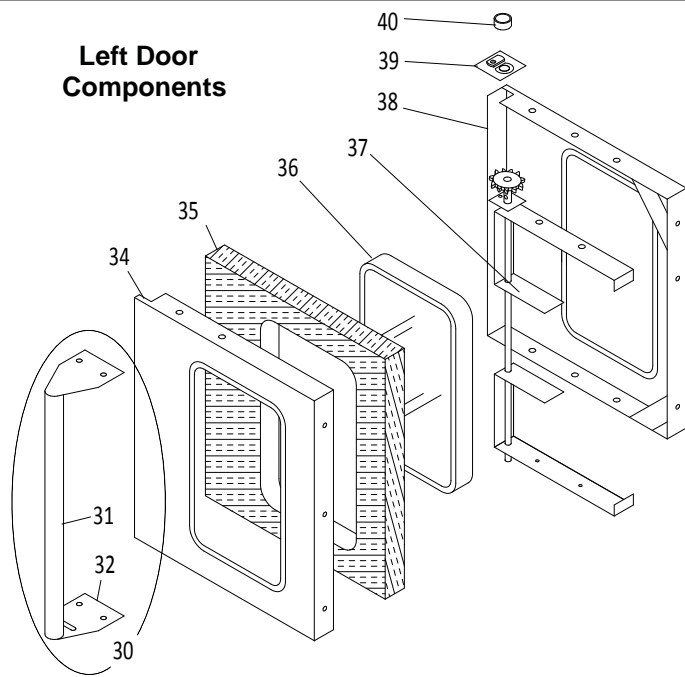
DOOR COMPONENTS & ASSEMBLIES



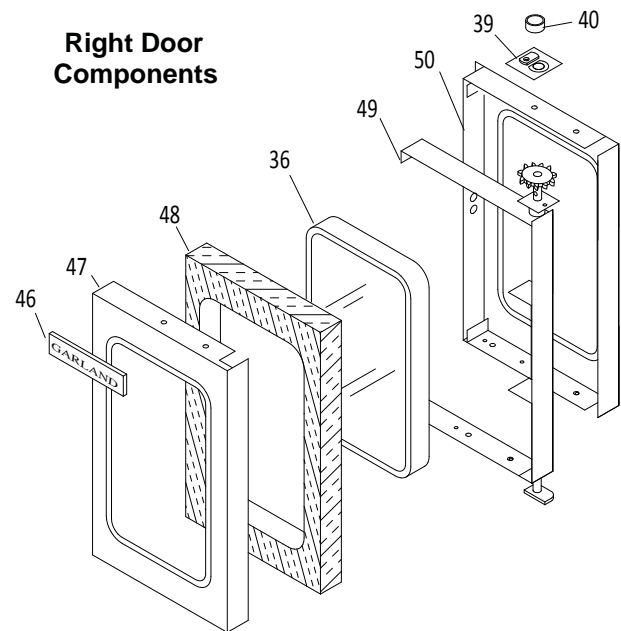
For Energy Star Models (MCO-GS-10-ESS):



Left Door Components



Right Door Components



Door

GARLAND PARTS IDENTIFICATION
Master Series Full Size Gas Convection Ovens
models **MCO-GS/GD-10/20, MCO-GS/GD-10/20-S, MCO-GS-10/20-ESS**

DOOR COMPONENTS

ITEM	PART #	DESCRIPTION	QUANTITY		CRITICAL
			STANDARD MODELS	ENERGY STAR (-ESS)	
1	1924712	Seal - Door, Bottom	1		
2	113548	Bracket, Door Gasket Seal, Bottom		1	
3	1924601	Seal - Door, Left & Right	2		
4	113546	Bracket, Door Gasket, Left & Right		2	
5	113543	Gasket, Door Seal, Left & Right		2	
6	1924711	Seal - Door Top	1		
7	1304202	Top / Bottom Door Seal		1	
8	113542	Gasket - Door Seal Top		1	
9	1924411	Center - Right Door Seal	1	1	
10	1924412	Center - Left Door Seal	1	1	
10A*	113858	Center - Left Door Seal (Prison Package Only, Window or Solid Door)	1	1	
11	8003123	Mscr - TH - Phil 10-24 x 5/8" Stl ZP	6	6	
12A	1925013	Bracket - Door Stop L/H	1	1	
12B	4519740	Bracket - Door Stop R/H	1	1	
DOOR CHAIN COMPONENTS (items 13 - 18)					
13	4520166	Door Chain Assembly Note: Includes Items 14-18.	2	2	C
14	1014201	Connecting Door Rod - Short Note: Item listed for reference only. Not Sold Separately.	2	2	
15	1014200	Connecting Door Rod - Long Note: Item listed for reference only. Not Sold Separately.	2	2	
16	1015000	Turnbuckle 1/4-20 with 4" Take Up	2	2	
17	1021100	Roller Chain #40	2	2	
18	1021299	Connecting Link #40	4	4	
DOOR SWITCH COMPONENTS (items 19 - 26)					
19	1804727	Wire Harness - Door Micro Switch, Digital Control. Note: For MCO-GS/GD-10 Digital Control models.	1		
	1949575	Wire Harness - Door Micro Switches, Mechanical Control. Note: For MCO-GS/GD-10S and Energy Star models.	1	1	
	1949574	Door Switch Wire Harness for Arby's	1		C
20	1855603	High Temp Micro Switch Note: For MCO-GS/GD-10 Digital Control models.	2		C
	4519715	Door Micro Switch - High Temp, High Current Note: For MCO-GS/GD-10S and Energy Star models.	2	2	C
21	1925101	Cam - Door Switch	1	1	
22	1925001	Bracket Door Switch Right	1	1	
23	8003802	Set Screw 10x24x3/8"	2	2	
24	8001203	Nut Hex Stl 8-32	2	2	
25*	8001502	Nut w/Washer 6-32 ksp	2	2	
26*	8003208	MSCR-PH-6 32x32 ST ZP	2	2	

* NOT ILLUSTRATED

RECOMMENDED STOCK PARTS

GARLAND PARTS IDENTIFICATION
Master Series Full Size Gas Convection Ovens
models MCO-GS/GD-10/20, MCO-GS/GD-10/20-S, MCO-GS-10/20-ESS

LEFT & RIGHT DOORS COMPONENTS

ITEM	PART #	DESCRIPTION	QUANTITY		CRITICAL
			STANDARD MODELS	ENERGY STAR (-ESS)	
LEFT DOOR COMPONENTS - with Window or Solid (items 30 - 45)					
30	CK1924396	Door Handle Assembly- Black Note: Assembly includes items 31, 32, 33.	1	1	
31	1924195	Tube Door	1	1	
32	1924206	Plate - Door Handle	2	2	
33*	8003605	1/4-20 x 1" Carriage Bolt, Black	2	2	
34	1924001	Panel - Left Door (Solid)	1	1	
	1924002	Panel - Left Door (Window)	1	1	
	1924007	Panel - Left Door (Solid - Prison)	1	1	
	1924011	Panel - Left Door (Window - Prison)	1	1	
35	1915914	Insulation - Left Door (Window)	1	1	
	1915915	Insulation - Left Door (Solid)	1	1	
36	1010999	Oven Door Window - 3/16" Glass (Window Option)	1	1	
37	4520373	Weld Assembly Frame Left Door Extended Bearing Plate	1	1	
38	1923997	Panel - Left Door Liner (Window)	1	1	
	1923902	Panel - Left Door Liner (Window - Prison)	1	1	
	1923996	Panel - Left Door Liner (Solid) Note: For both Standard and Prison Models.	1	1	
39	4520301	Plate - Door Bushing Extended	2	2	
40	1923201	Spacer - Door Hinge	2	2	
41*	1925099	Door Hasp Bracket Weldment Assembly (Prison)	1	1	
42*	1925009	Plate - Door Hasp Back (Prison)	1	1	
43*	8003603	3/8-16 x 3/4 Carriage Bolt (Prison)	3	3	
44*	8001210	3/8-16 Hex Nut Stl 2P (Prison)	3	3	
45*	8000308	3/8 x 3/4 Flat Washer Stl 2P (Prison)	3	3	
RIGHT DOOR COMPONENTS - with Window or Solid (items 36, 39, 40, 41 - 45, 46 - 50)					
46	3077100	7-5/8" GARLAND Nameplate (for non-Prison Door)	1	1	
47	1924003	Panel - Right Door (Solid)	1	1	
	1924008	Panel - Right Door (Solid - Prison)	1	1	
	1924004	Panel - Right Door (Window)	1	1	
48	1915916	Insulation Right Door (Window)	1	1	
	1915917	Insulation - Right Door (Solid)	1	1	
49	4520374	Weld Assembly Frame Right Door Extended Bearing Plate	1	1	
50	1923998	Panel - Right Door Liner (Solid) Note: For both Standard and Prison Models.	1	1	
	1923999	Panel - Right Door Liner (Window)	1	1	

* NOT ILLUSTRATED

RECOMMENDED STOCK PARTS

GARLAND PARTS IDENTIFICATION
Master Series Full Size Gas Convection Ovens
models **MCO-GS/GD-10/20, MCO-GS/GD-10/20-S, MCO-GS-10/20-ESS**

COMPLETE DOOR ASSEMBLIES

ITEM	PART #	DESCRIPTION	QUANTITY		CRITICAL
			STANDARD MODELS	ENERGY STAR (-ESS)	
LEFT DOOR - COMPLETE ASSEMBLIES (includes Left Door Components and the Left Door Center Seal)					
60	4520311	MCO Complete Door Kit - Left (WINDOW)	1	1	
	4520313	MCO Complete Door Kit - Left (SOLID)	1	1	
	4520317	MCO Complete Door Kit - Left (PRISON - WINDOW)	1	1	
	4520315	MCO Complete Door Kit - Left (PRISON - SOLID)	1	1	
RIGHT DOOR - COMPLETE ASSEMBLIES (includes Right Door Components and the Right Door Center Seal)					
61	4520312	MCO Complete Door Kit - Right (WINDOW)	1	1	
	4520314	MCO Complete Door Kit - Right (SOLID)	1	1	
	4520316	MCO Complete Door Kit - Right (PRISON - SOLID)	1	1	

* NOT ILLUSTRATED

RECOMMENDED STOCK PARTS

**GARLAND PARTS IDENTIFICATION
LIST OF WIRING DIAGRAMS & AVAILABLE KITS**

WIRING DIAGRAMS

(For Reference Only - Contact Technical Service Department for assistance)

PART #	DESCRIPTION
1949511	115V 60HZ Gas, Mechanical Control (200 Series) - Direct Spark Ignition
1949501	115V 60HZ Gas, FAST Control (400 Series) - Direct Spark Ignition
1949512	208/240V Gas, Mechanical Control (200 Series) - Direct Spark Ignition
1949502	208/240V Gas, FAST Control (400 Series) - Direct Spark Ignition
300830	Mechanical Control (200 Series) - 115V, 60Hz, Gas - Energy Star Model
300837	Mechanical Control (200 Series) - 208/240V, 60Hz, Gas - Energy Star Model
4522595	Conversion - from digital to manual control.

CONTROLLER CONVERSION KITS - FAST CONTROL

PART #	DESCRIPTION
4522593	450/410 to 200 CONV KIT - MCO Gas
4518191	KIT, MCO 200 to 450 - GAS 115V
4529705	KIT, MCO 450, Fastron to Elreha Controller Replacement
4529706	KIT, MCO 455, Fastron to Elreha Controller Replacement

GAS CONVERSION KITS

PART #	DESCRIPTION
4526640-2	Gas Conversion Kit for 60,000 BTU/HR Natural Gas Final Configuration (Ref: 113412)
4526640-3	Gas Conversion Kit for 80,000 BTU/HR Natural Gas Final Configuration (Ref: 113413)
4526640-1	Gas Conversion Kit for 60,000 BTU/HR Propane Gas Final Configuration (Ref: 113414)

SINGLE & DOUBLE DECK KITS (OPEN BASE, LEGS & CASTERS)

(For Reference Only - Contact Sales Department for assistance)

PART #	DESCRIPTION
1951213	Single Deck S/S Open Base & Feet Kit - Full Size MCO
1951214	Single Deck S/S Open Base & Casters - Full Size MCO
1951204	Single Deck S/S Legs & Feet Inserts - Full Size MCO
1951205	Single Deck S/S Legs and Casters - Full Size MCO
1951209	Kit MCO - Heavy Duty Casters - Full Size MCO
1951210	Kit MCO - LO-Profile Casters - Full Size MCO
1951223	Double Deck Gas W/Inserts S/S Legs - Full Size MCO
1951226	Double Deck Gas W/Casters - Full Size MCO-SGM & SUMG
1951228	Double Deck Gas W/Lo Profile Casters - Full Size MCO

VENTILATION KITS

(For Reference Only - Contact Sales Department for assistance)

PART #	DESCRIPTION
1951217	Direct Connect Venting Kit
1951229	S/S Canopy Diverter for MCO, SGM & SUMG

**GARLAND PARTS IDENTIFICATION
CRITICAL & RECOMMENDED STOCK PARTS LIST**

PART #	DESCRIPTION	STANDARD MODELS	ENERGY STAR (ESS)
113542	Gasket - Door Seal Top		R
113543	Gasket - Door Seal, Left & Right		R
113546	Bracket - Door Gasket, Left & Right		R
113548	Bracket - Door Gasket Seal, Bottom		R
300828	Gas Valve - 2 Stage, Natural Gas (Energy Star)		C
1010999	Oven Door Window (3/16" Glass)	R	R
1029501	8' Long Power Cord (115V Gas Units)	R	R
1269899	Transformer - Class 2 - 120V to 24V (with Insulated Slip on Terminal)	C	C
1304202	Top / Bottom Door Seal		R
1623900	Light Bulb - 40W	R	R
1636000	Transformer - Primary 208/240V - Secondary 24V	C	C
1671100	Polar Fan 115V	C	C
1671101	Cooling Fan 208 / 240 V (400 Series Digital Control Only)	C	
1855603	Door High Temp Micro Switch (400 Series Digital Control)	C	C
1905703	450 Digital Control with Cook-N-Hold	C	
1905704	455 Digital Control with Cook-N-Hold and Core Probe	C	
1906002	Probe - RTD, Flange Mount (USE ONLY WITH 1906003)	C	C
1906003	Cable Assembly - Probe Extension (USE ONLY WITH 1906002)	C	C
1911601	Potentiometer - Encoder (400 Series Digital Control Only)	C	
1916901	Relay Board PCB Assy (400 Series Digital Control Only)	C	
1917198	Transformer 208-240V to 24VAC (400 Series Digital Control Only)	C	
1917199	Transformer 120V to 24VAC (400 Series Digital Control Only)	C	
1924411	Center - Right Door Seal	R	R
1924412	Center - Left Door Seal	R	R
1924601	Seal - Door, Left & Right	R	
1924711	Seal - Door Top	R	
1924712	Seal - Door, Bottom	R	
1935701	Gas Valve - Natural, Dual W/Shut 4"	C	
1935702	Gas Valve - Propane, Dual W/Shut 10"	C	
1955101	Switch - Thermal Disc, Cooling	C	C
1955401	Rocker Switch - 3 Positions, Cook/Off/CoolDown (200 Series Control Only)	C	C
300867	Power Control Board - Solid State Controller, 150-500 deg F (200 Series Control Only)	C	C
1955601	Potentiometer (200 Series Control Only)	C	C
1956001	Timer - 1 Hour, 115V 50/60Hz with Alarm (200 Series Control Only)	C	C
1956002	Electro-Mechanical Timer - 1 Hour, 240V 50/60Hz (200 Series Control Only)	C	C
4519715	Door Micro Switch High Temp - High Current (200 Series Control Only)	C	C
4520166	Door Chain Assembly	C	C
4521585	DSI Ignition Module	C	C
4523414	Ignitor - DSI Burner Pack	C	C
4523415	Flame Sensor - DSI Burner Pack	C	C
4527484	Relay Board / SRB - Digital Control, Elreha	C	
8003123	Mscr - TH - Phil 10-24 x 5/8" Stl 2P (For Center Door Seals)	R	R
CK1003090	Motor Assembly - 2 Speed - 115V	C	C
CK1003091	Motor Assembly - 2 Speed - 208/240 V	C	

C = CRITICAL PARTS

R = RECOMMENDED STOCK PARTS

**GARLAND PARTS IDENTIFICATION
RELATED BULLETINS (MCO-GS/GD-10)**

BULLETIN #	SUBJECT	DATE
B-97-2009-S	New Axial Cooling Fan Install Instructions	SEP 17/09
GAR-03-12-AIC	Master 200 Series Controller P/N 1955501	FEB 8/12
BI-06-2012-P	Controllers - Important Information	FEB 22/12

REVISION HISTORY (MCO-GS/GD-10)

REV#	SECTION	ITEM#	NOTES	DATE
0			New Book Released – MCO-GS/GD-10	May 20/09
1	Burner	11	New Part Added (02251-1 Pressure Test Spigot).	May 25/09
2	Burner		New Drawing - Balloon 8&9 Switched (Ignition Module & Bracket)	July 16/09
3	Burner		New Drawing – Item 01 (1095499 Straight Connector Asm) Moved	Sep 21/09
	Burner	1	Description Changed (1095499 - Straight Connector Asm)	
	Exterior	9A	Was item 9. Description changed - was Vent Asm Outer.	
		9B	New Part Number (1920001 Channel Double Stack) Added	
	Exterior		New Drawing (Exterior Components)	
	IM200	33	Part number changed - was 1918201 (Cooling Fan - 115V, 4-11/16" x 4-11/16") 1918201 (Fan 115V) Changed to the 1671100 (Fan 115V) from S/N 0709100200064, date: July 24, 2009.	
IM450 IM455	29	Part number changed - was 1918201(Cooling Fan - 115V, 4-11/16" x 4-11/16") and 1918202 (Cooling Fan 208 / 240V) 1918202 (Fan 208/240V) Changed to the 1671101 (Fan 208/240V) from S/N 0908100200514, date: August 20, 2009. 1918201 (Fan 115V) Changed to the 1671100 (Fan 115V) from S/N 0709100200064, date: July 24, 2009.		
4	Burner		New Drawing "Burner Package"	Oct 07/10
	Burner	18A	New part number (1004644 Short Nipple) added in section "Burner Package"	
		18B	Was item number 18 (1004640 Close Nipple)	
		19	Part number changed - was 1026733 (90 Degree Street Elbow, 1/2" NPT)	
5			New - Energy Star model (-ESS) parts added.	Aug 02/11
			New - Rating Plate Location indicated for new and old units.	
			New - Model & Serial # Interpretation.	
6			New - Critical & Recommended Parts List	Feb 08/12
	IM200	13	New IM200 controller 300867 replaced 1955501. Note: First unit manufactured with controller 300867 has (date) 8-Jan-2012, (serial#) 1112230000784, (model) MCO-ED-10S-0011.	
	Bulletin		Added bulletin.	
7	Interior	38	Added Insulation Kits 113361, 113364	June 14/12
		39	Added Drip Pans 1959401, 1959402	
	Kits		<ul style="list-style-type: none"> New Gas Conversion Kits: 4526640-2 (113412), 4526640-3 (113413), 4526640-1 (113414). Ref: Install Instructions 260BFG. (CLV part#s used in install instructions.) Added Fastron conversion kits 4522593, 4529705, 4529706. 	
	IM450/ IM455		<ul style="list-style-type: none"> Two Sections - Fastron and new Elreha controllers. Fastron pages: added new conversion kits (Fastron to Elreha); added new Fastron relay board kit S113850; added ignition module photo; listed overlays part#. Elreha pages: new pages - Elreha control panel kits; new Elreha overlays; new relay board asm S113848; and, other new components. 	
	Bulletin		Added new bulletin - Elreha controllers.	
	Exterior		Removed black painted parts 1920202, 1918702, 1918802, 1921002, 1921004	
			Removed Overlay 1782001.	
	Door		Revised Illustration - added details of center door seals.	
		10A	Added prison center door seal 113858. (ECR 12-142)	
	IM200	51	<ul style="list-style-type: none"> Added controller conversion Kit 4522593. Added ignition module and timer photos. 	
		internal ref: new book format hidden.		

 **Garland**[®]

 **Manitowoc**