



MCO-G-5
HALF SIZE GAS

PARTS LIST

Toll Free Phone, (US & Canada): (800) 427-6668

Toll Free Fax, (US & Canada): (800) 361-7745

<http://www.garland-group.com>



MCO-G-5

HALF SIZE GAS

Contents:

MCO-G-5 MASTER 200 Mechanical Control W/Timer.....	Page 4
MCO-G-5 MASTER 300 Electronic Control W/Cook - N - Hold.....	Page 6
MCO-G-5 MASTER 450 Electronic Control W/Cook-N-Hold	Page 8
MCO-G-5 MASTER 470 Electronic Programmable Control	Page 10
MCO-G-5 MASTER 475 Electronic Programmable Control	Page 12
MCO-G-5 Burner Components.....	Page 14
MCO-G-5 Door Components.....	Page 16
MCO-G-5 Oven Components	Page 18
MCO-G-5 Main Exterior.....	Page 20
MCO Bulletins.....	Page 22
Digital Photos	Page 24
Revision History.....	Page 25

MODEL NUMBER BREAKDOWN

MCO= Master Series Convection Oven

G = Gas

E = Electric

5 = Half Size

LE = Left Hand Door, Electronic Control

RE = Right Hand Door, Electronic Control

NAT = Natural Unit

LP = Propane Unit

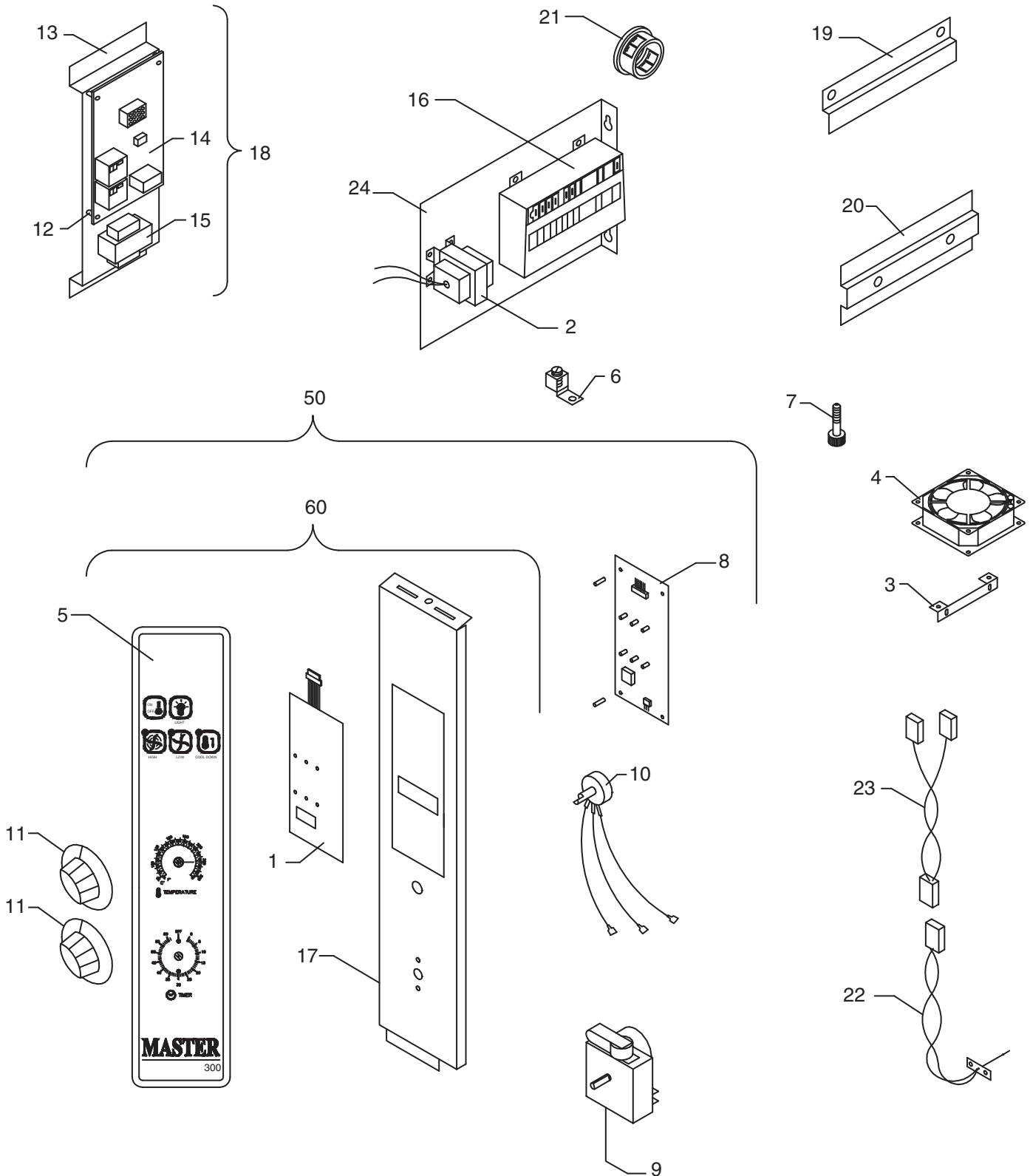
GARLAND PARTS IDENTIFICATION
MCO-G-5 MASTER 200 Mechanical Control Panel WTimer

ITEM	PART #	DESCRIPTION	QTY	DATE	
				FROM	UP TO
1	1038001	Plug Button 5/8 I.D.	2	25-Sep-00	
	1038000	Plug Button	1		
2	1269800	Transformer 24V	1		
3	1774402	Cooling Fan Mounting Bracket	1		
4 ^	1918201	Fan - 110mm, 115V	1		
5	1908528	Overlay MCO 200 WO/Light	1		
6	1028402	Ground Lug	1		
7	1091100	Thumb Screw	3		
8	1955501	Power Control Board - IM200, 150-500 DEG F	1		
9	1956001	Timer - 1 HR, 115V W/Alarm	1		
10	1955601	Potentiometer - IM200 150-500DEG	1		
11	1765802	Fluted Knob W(2) Set Screws	2		
12	1955401	Switch Rocker ON-OFF-ON	1		
13	1955402	Switch Rocker ON-ON	1		
14	1270000	Amber Pilot Light 28V	1		1-Mar-03
	1936103	Indicator Lamp Amber - 28V		1-Mar-03	
	1006493	Pilot Light Green 240V	1		1-Mar-03
	1936102	Indicator Lamp Green - 250V		1-Mar-03	
15	1781902	Electronic Ignition Module - Propane	1		31-Jan-01
	1516300	Electronic Ignition Module - Propane/Natural		13-Jan-01	
	1781901	Electronic Ignition Module - Liquid Propane			13-Jan-01
16	1907002	Control Panel Support Rt Unit	1		1-Mar-02
	1907003	Control Panel Support LT/RT		1-Mar-02	
17	1946683	Control Panel MCO-G-5LM IM200	1		
	1946684	Control Panel MCO-G-5RM IM200			
	1946682	Control Panel Assembly - IM300 Olive Garden			
18	1906302	Component Mounting Bracket RT Unit	1		
	1906301	Component Mounting Bracket LT Unit			
19	1911501	Probe Cover LT Unit	1		
	1911502	Probe Cover RT Unit			
20	1842902	Sensing Probe Interconnect Harness	1		
21	1955001	Micro Switch Hi - Temp	2		
22	1906904	Control Panel Side Trim RT	1		
	1906905	Control Panel Side Trim LT			
23	1804741	Harness Main Panel IM200 MCO-G-5	1		
	1804740	Harness Main IM200 MCO-G-5	1		
	1804742	Harness Door SW IM200 MCO-G-5			
24*	1807856	Wiring Diagram MCO-G5 IM200 60HZ 115V 2SP			
25	1955701	Standoff - Nylon - 1/4X1/2X1	2		
26	1955801	Washer - Teflon - 7/16 OD	2		
27	8001502	Nut W/LWasher 6-32 KEP	2		
28*	1004689	Short Nipple 1/2" X 13-3/4"	1		
29	1842901	Oven Probe	1		
30^	1955101	Switch Thermal Disc, Cooling	1	09-Jan-03	
Kits Available					
50 *	1957882	B/A MCOG5RM IM200 Panel / Overlay Included Items: 17, 5 (Olive Garden Model)	1		
	1957883	B/A MCOG5LM IM200 Panel / Overlay Included Items: 17, 5			
60	1957982	Complete MCO-G-5RM IM200 Control Included Items: 50, 8, 9, 10, 11, 12, 13, 14	1		
	1957983	Complete MCO-G-5LM IM200 Control Included Items: 8, 9, 10, 11, 12, 13, 14, 25, 26, 27, 28, 50			

* NOT ILLUSTRATED

^ DIGITAL PHOTO AT THE END

RECOMMENDED STOCK PARTS



GARLAND PARTS IDENTIFICATION

MCO-G-5RM Master IM300 Mechanical Control Panel W/Timer

ITEM	PART #	DESCRIPTION	QTY	DATE	
				FROM	UP TO
1	1911701	Keypad Fast Control	1		
2	1269800	Trransformer 24V	1		
3	1774402	Cooling Fan Mounting Bracket	1		
4	1671102	92MM 115V Boxer Fan	1		19-Sep-00
5a	1908514	Overlay MCO 300 WO/Light			4-May-01
5b	1908513	Overlay MCO 300 W/Light			
6	1028402	Ground Lug	1		
7	1091100	Thumb Screw	3		
8	1905701	Solid State 300 Control	1		4-May-01
9a	1285700	Mallory 1 HR.Timer 115V 50/60H	1		
9b	1285701	Mallory 1 HR.Timer 230V 50/60H	1		
10	1911801	Potentiometer	1		
11	1765802	Fluted Knob W(2) Set Screws	2		19-Sep-00
12	1767901	Nylon PCB Spacer	4		
13	1916801	Bracket - Relay Board	1		
14	1916901	Relay Board PCB Assembly			
15	1917101	Transformer 120V	1		
	1917102	Transformer 208/240V	1		
16	1781901	Electronic Ignition Module	1		31-Jan-01
	1516300	Electronic Ignition Module	1	31-Jan-01	
17a	1909906	Control Panel 1/2 CO Gas Solid ST	1		4-May-01
17b	1946682	Control Panel Assembly - IM300 Olive Garden	1		
17c	1946696	Control Panel MCOG5LM IM300 Assembly	1		4-May-01
17d	1946698	Control Panel MCOG5RM IM300 Assembly			
18^	1908201	Relay Assembly 120V	1		14-Sep-99
	1917099	Relay Board Assembly - 120V	1	14-Sep-99	
19	1787302	Component Bracket Slide	2	19-Sep-00	
20	1911301	Component Bracket Slide	1		19-Sep-00
21	1028804	Snap Bushing .375 Dia	1		
	1028807	Snap Bushing .75 Dia	1		
22	1842901	Oven Probe	1		
23	1842902	Probe Interconnect Harness			
24	1906301	Component Mounting Bracket LT Unit	1		
	1906302	Component Mounting Bracket RT Unit	1		
30*	1314134	Dial Insert 0-60 Min.	1		19-Sep-00
31*	1807833	Wiring Diagram Fast Control DSI 115V	1		13-Jan-01
32*	1807849	Wiring Diagram MCO-G-5 115V / 2 SP	1	13-Jan-01	
33*	1804725	Main Harness 115V / 60	1		
34*	1804726	Harness Redun/Ign. 115v / 60	1		
35*	1804727	Door Harness	1		
KITS AVAILABLE					
50	CK1957993	Kit MCO-G-5RM IM300 Control - Included Items: 8,9a,10,11,61	1		
	CK1957994	Kit MCO-G-5LM IM300 Control - Included Items: 8,9a,10,11,60			
	CK1957999	Kit MCO-E-5 IM300 Control - Included Items: 8,9b,10,11,62			
60	CK1957894	Kit MCO-G-5LM IM300 Memory/Overlay - Included Items: 5a,1,17c	1		
61*	CK1957893	Kit MCO-G-5RM IM300 Memory/Overlay - Included Items: 5a,1,17d			
62*	CK1957899	MCO-E-5 IM300 Memory Overlay - Included Items: 5a,1,17d			

* NOT ILLUSTRATED

^ DIGITAL PHOTO @ THE END

RECOMMENDED STOCK PARTS

GARLAND PARTS IDENTIFICATION
MCO-G-5 MASTER 400 Electronic Control W/ Cook-N-Hold

ITEM	PART #	DESCRIPTION	QTY	DATE	
				FROM	UP TO
1	1946699	Control Panel MCO-G-5RE	1	4-May-01	
	1946697	Control Panel MCO-G-5LE	1		
2	1911701	Keypad Fast Control	1		
3	1908504	Overlay - 450 Control W/O Light	1		
4	1905703	C&H 450 Control Deg. F	1		
5	1911601	Encoder (For Spares)	1		
6	1720502	Fast Control Knob	1		
10	1767901	Nylon PCB Spacer	4		
11	1916801	Bracket - Relay Board	1		
12	1916901	Relay Board PCB Assembly			
13	1917101	Transformer 120V	1		
	1917102	Transformer 208/240V	1		
14	1842902	Probe Interconnect Harness	1		
15	1842901	Oven Probe	1		
16	1781901	Electronic Ignition Module	1		31-Jan-01
	1516300	Electronic Ignition Module	1	31-Jan-01	
17	1269800	Transformer 24V (Class 2)	1		
18	1787302	Component Bracket Slide	2	25-Sep-00	
19	1911301	Relay Bracket Slide	1		
19A	1749201	Panel Restraining Bracket	1		
20	1804725	Main Harness 115/60	1		
20A*	1804726	Harness Redun. / Ignition Module 115/60	1		
21*	1804727	Door Harness MCO	1		
22	1028804	Snap bushing .375 Dia	1		
	1028807	Snap Bushing .75 Dia.	1		
23	1671102	9mm 115 Boxer Fan	1		18-Oct-99
	1918201^	Fan - 110mm, 115V	1	18-Oct-99	
	1671103	92mm 230V Boxer Fan	1		18-Oct-99
	1918202	Fan - 110mm, 208/240V	1	18-Oct-99	
24	1774402	Cooling Fan Mounting Bracket	1		
25	1906301	Component Fan Mounting Bracket LT Unit	1		
	1906302	Component Fan Mounting Bracket RT Unit	1		
26	1028402	Ground Lug	1		
27	1091100	Thumb Screw	3		
28	1907002	Control Panel Support Rt Unit	1		1-Mar-02
	1907003	Control Panel Support Lt/Rt	1	1-Mar-02	
29*	1636000	Transformer 24V - AC	1		
30^	1955101	Switch Thermal Disc, Cooling	1	09-Jan-03	

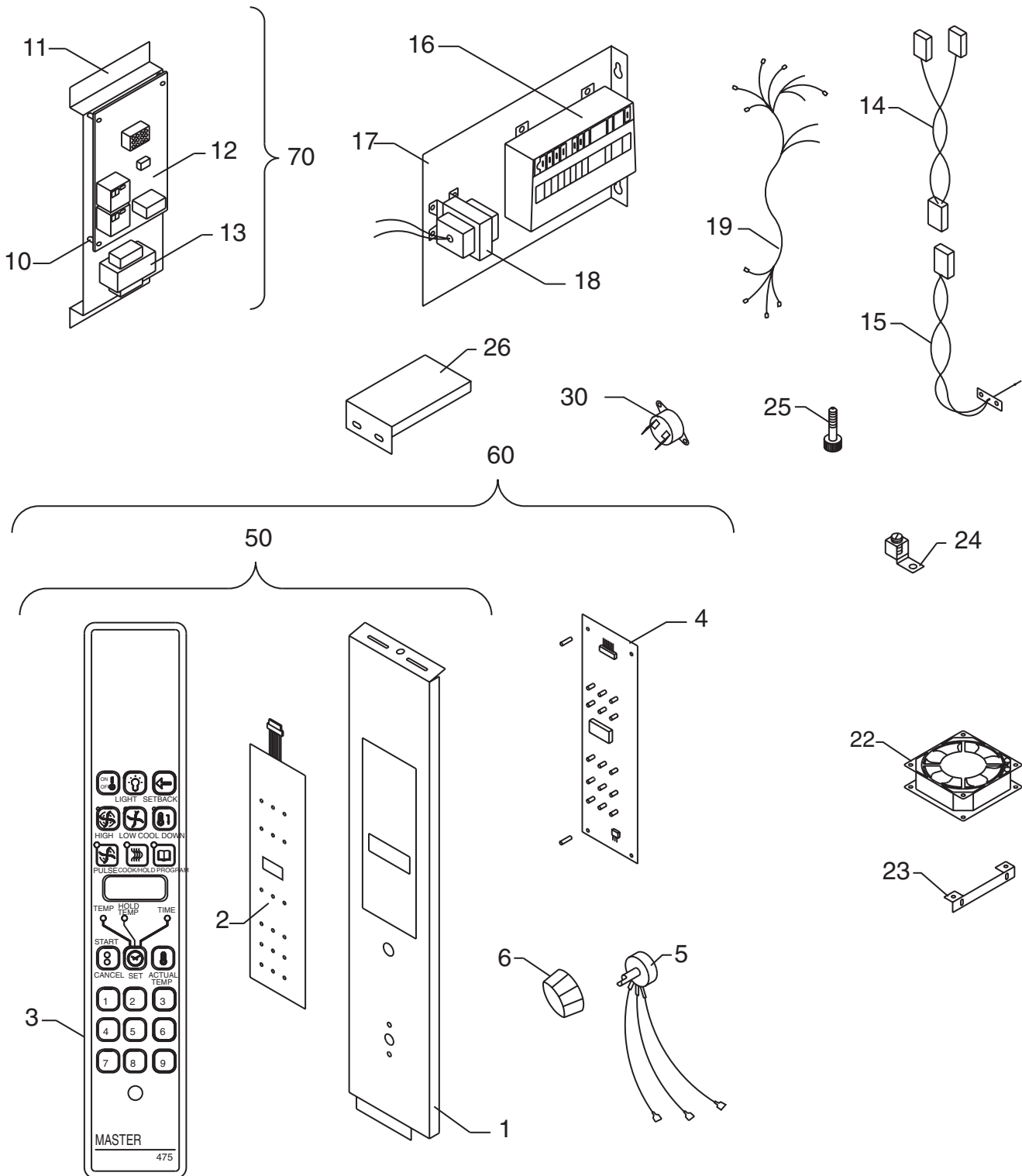
Kits Available

50	CK1957889	Kit MCO-G-5RE IM450 Memory/Overlay Included Items: 1, 2 & 3	1		
	CK1957890	Kit MCO-G-5LE IM450 Memory/Overlay Included Items; 1, 2 & 3	1		
60	CK1957989	Kit MCO-G-5RE IM450 Control - Complete Included Items: 4, 5, 6, & 50	1		
	CK1957990	Kit MCO-G-5LE IM450 Control - Complete Included Items: 4, 5, 6, & 50	1		
70	1917099^	Relay Board Assembly 120V Included Items: 7, 8, 9 & 10	1	14-Sep-99	
	1917098	Relay Board Assembly 208/240 V Included Items: 7, 8, 9 & 10	1	28-Sep-99	

* NOT ILLUSTRATED

^ DIGITAL PHOTO AT THE END

RECOMMENDED STOCK PARTS



GARLAND PARTS IDENTIFICATION

MCO-G-5

Master 470 Electronic Programmable Control

ITEM	PART #	DESCRIPTION	QTY	DATE	
				FROM	UP TO
1	1946687	Control Panel MCO-G-5RE	1		
	1946688	Control Panel MCO-G-5LE			
2	1911702	Membrane - Chain Control Keypad	1		
3	1908525	Overlay - 470 Chain W/O Light	1		
4	1905709	PCM Assembly - 470 Chain Controller	1		4-May-01
5	1911601	Encoder (For Spares)	1		
6	1720502	Fast Control Knob	1		
10	1767901	Nylon PCB Spacer	4		
11	1916801	Bracket - Relay Board	1		
12	1916901	Relay Board PCB Assembly			
13	1917101	Transformer 120V	1		
	1917102	Transformer 208/240V	1		
14	1842902	Probe Interconnect Harness	1		
15	1842901	Oven Probe	1		
16	1781901	Electronic Ignition Module	1		31-Jan-01
	1516300	Electronic Ignition Module	1	31-Jan-01	
17	1906301	Component Mounting Bracket LT Unit	1		
	1906302	Component Mounting Bracket RT Unit	1		
18	1269800	Transformer 24V (Class 2)	1		
19	1804725	Main Harness 115/60	1		
20*	1804726	Harness Redun. / Ignition Module 115/60	1		
21*	1804727	Door Harness MCO	1		
22	1671102	9mm 115 Boxer Fan	1		18-Oct-99
	1918201 ^	Fan - 110mm, 115V	1	18-Oct-99	
	1671103	92mm 230V Boxer Fan	1		18-Oct-99
	1918202	Fan - 110mm, 208/240V	1	18-Oct-99	
23	1774402	Cooling Fan Mounting Bracket	1		
24	1028402	Ground Lug	1		
25	1091100	Thumb Screw	3		
26	1907002	Control Panel Support Rt Unit	1		1-Mar-02
	1907003	Control Panel Support LT/Rt	1	1-Mar-02	
30^	1955101	Switch Thermal Disc, Cooling	1	09-Jan-03	

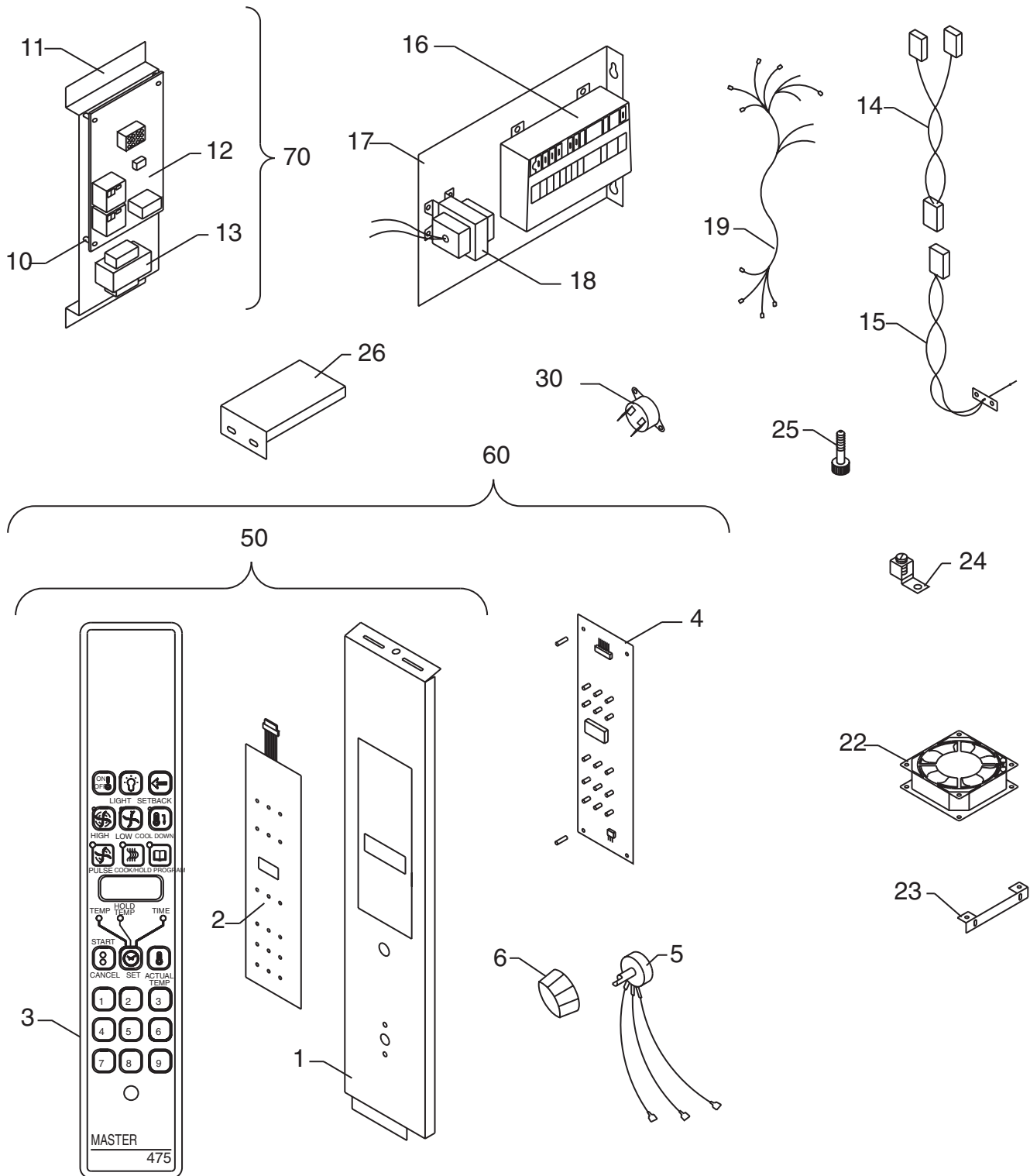
Kits Available

50	CK1957885	Kit MCO-G-5RE IM470 Memory/Overlay Included Items: 1, 2 & 3	1		
	CK1957886	Kit MCO-G-5LE IM470 Memory/Overlay Included Items; 1, 2 & 3	1		
60	CK1957985	Kit MCO-G-5RE IM470 Control - Complete Included Items: 4, 5, 6, & 50	1		
	CK1957986	Kit MCO-G-5LE IM470 Control - Complete Included Items: 4, 5, 6, & 50	1		
70	1917099 ^	Relay Board Assembly 120V Included Items: 10, 11, 12, 13	1		
	1917098	Relay Board Assembly 208/240 V Included Items: 10, 11, 12, 14	1		

* NOT ILLUSTRATED

^ DIGITAL PHOTO AT THE END

RECOMMENDED STOCK PARTS



Master 475 Control.dwg

GARLAND PARTS IDENTIFICATION

MCO-G-5

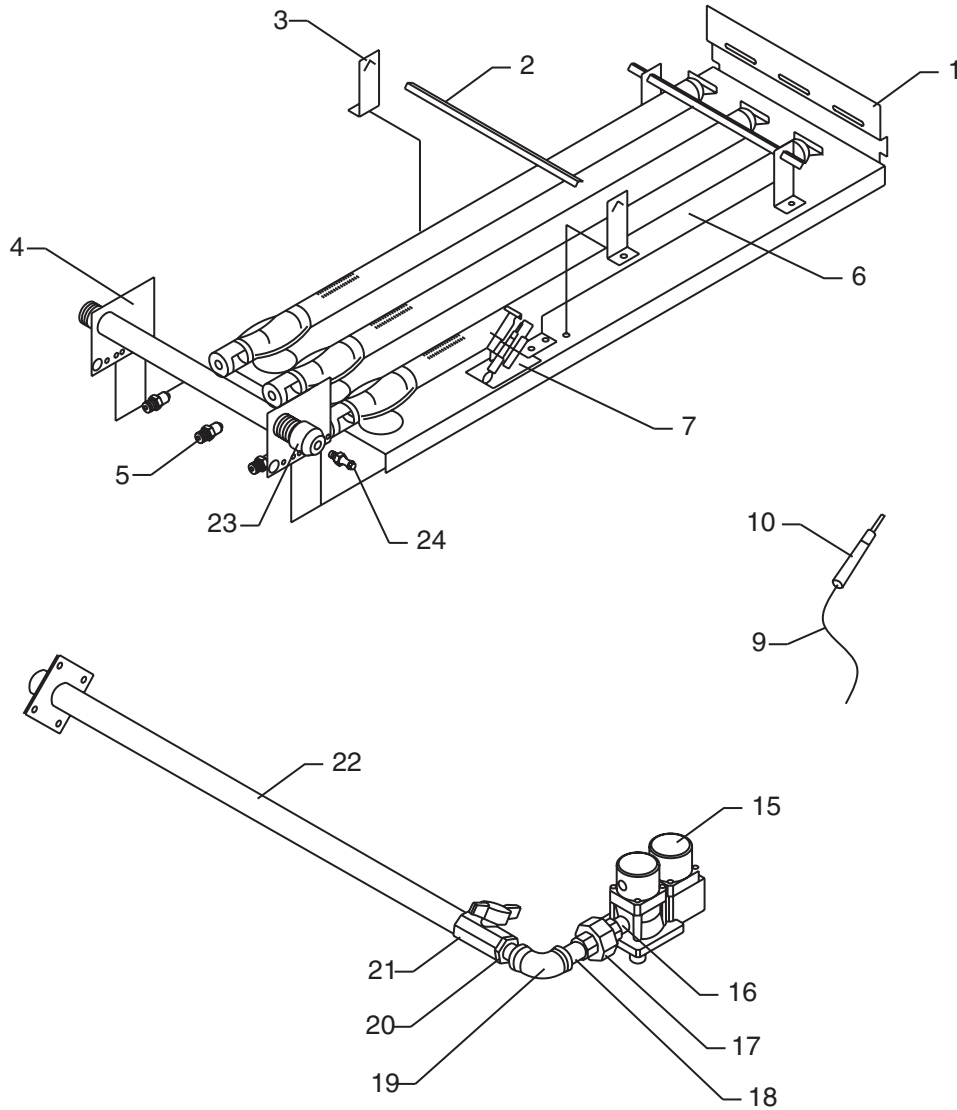
Master 475 Electronic Programmable Control

ITEM	PART #	DESCRIPTION	QTY	DATE	
				FROM	UP TO
1	1946687	Control Panel MCO-G-5RE	1		
	1946688	Control Panel MCO-G-5LE			
2	1911702	Membrane - Chain Control Keypad	1		
3	1908520	Overlay - 475 Chain W/O Light	1		
4	1905708	PCM Assembly - Chain Controller	1		
5	1911601	Encoder (For Spares)	1		
6	1720502	Fast Control Knob	1		
10	1767901	Nylon PCB Spacer	4		
11	1916801	Bracket - Relay Board	1		
12	1916901	Relay Board PCB Assembly			
13	1917101	Transformer 120V	1		
	1917102	Transformer 208/240V	1		
14	1842902	Probe Interconnect Harness	1		
15	1842901	Oven Probe	1		
16	1781901	Electronic Ignition Module	1		31-Jan-01
	1516300	Electronic Ignition Module	1	31-Jan-01	
17	1906301	Component Mounting Bracket LT Unit	1		
	1906302	Component Mounting Bracket RT Unit	1		
18	1269800	Transformer 24V (Class 2)	1		
19	1804725	Main Harness 115/60	1		
20*	1804726	Harness Redun. / Ignition Module 115/60	1		
21*	1804727	Door Harness MCO	1		
22	1671102	9mm 115 Boxer Fan	1		18-Oct-99
	1918201 ^	Fan - 110mm, 115V	1	18-Oct-99	
	1671103	92mm 230V Boxer Fan	1		18-Oct-99
	1918202	Fan - 110mm, 208/240V	1	18-Oct-99	
23	1774402	Cooling Fan Mounting Bracket	1		
24	1028402	Ground Lug	1		
25	1091100	Thumb Screw	3		
26	1907002	Control Panel Support Rt Unit	1		1-Mar-02
	1907003	Control Panel Support LT/Rt	1	1-Mar-02	
30^	1955101	Switch Thermal Disc, Cooling	1	09-Jn-03	
Kits Available					
50	CK1957887	Kit MCO-G-5RE IM475 Memory/Overlay Included Items: 1, 2 & 3	1		
	CK1957888	Kit MCO-G-5LE IM475 Memory/Overlay Included Items; 1, 2 & 3	1		
60	CK1957987	Kit MCO-G-5RE IM475 Control - Complete Included Items: 4, 5, 6, & 50	1		
	CK1957988	Kit MCO-G-5LE IM475Control - Complete Included Items: 4, 5, 6, & 50	1		
70	1917099 ^	Relay Board Assembly 120V Included Items: 10, 11, 12, 13	1		
	1917098	Relay Board Assembly 208/240 V Included Items: 10, 11, 12, 14	1		

* NOT ILLUSTRATED

^ DIGITAL PHOTO AT THE END

RECOMMENDED STOCK PARTS



Burner Assembly.dwg

GARLAND PARTS IDENTIFICATION

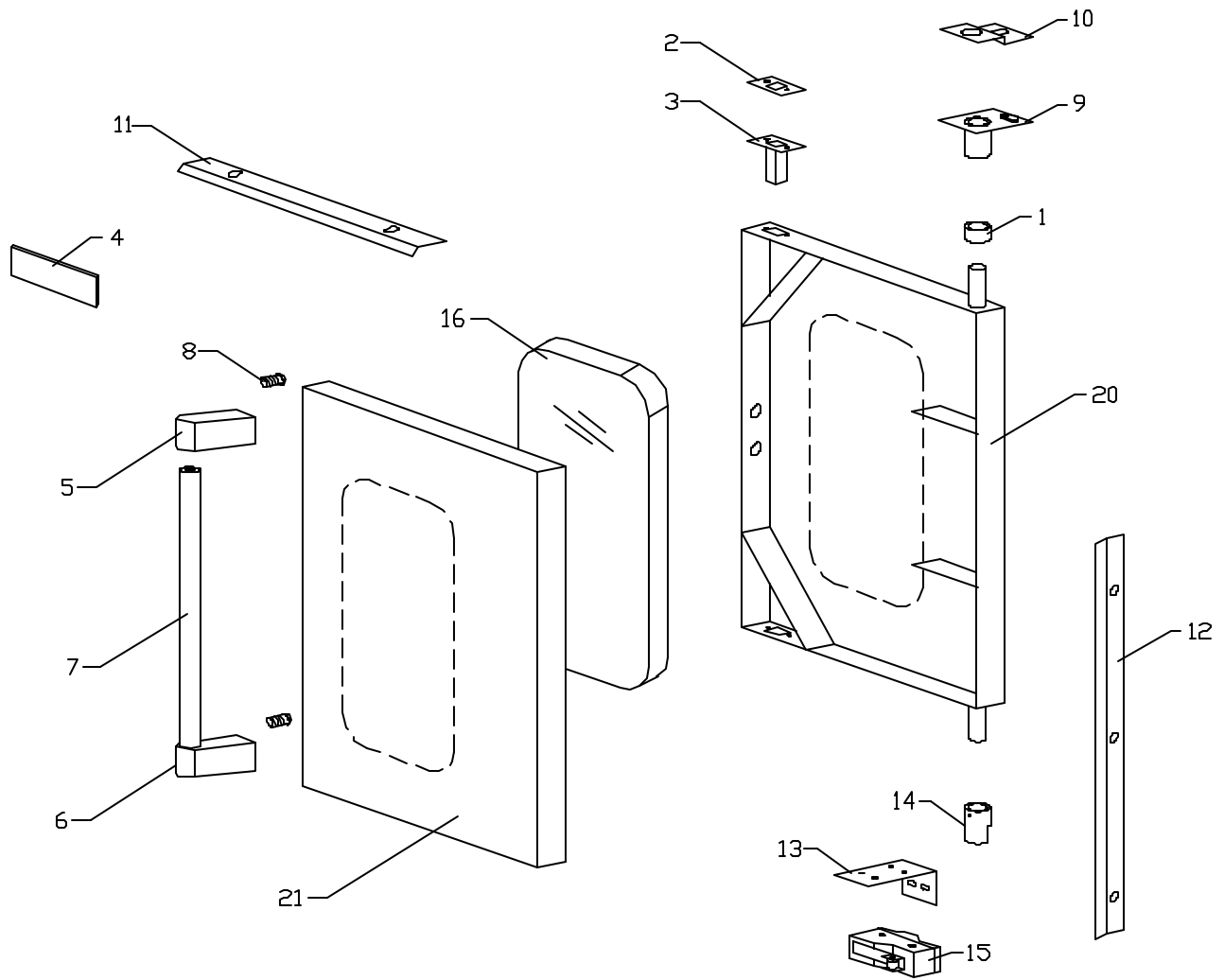
MCO-G-5

Burner Components

ITEM	PART#	DESCRIPTION	QTY	DATE	
				FROM	UP TO
1	1953301	Burner Pan	1		
2	1953401	Cross Over	1		
3	1467100	Cross Over Bracket	2		
4	1953599	Manifold Assembly - 3 Port W/A	1		
5	1265537	Orifice Natural # 37	2		22-Feb-02
	1265545	Orifice Natural # 45	3	22-Feb-02	
	1265552	Orifice Propane # 52	2		22-Feb-02
	1265555	Orifice Propane # 55	3	22-Feb-02	
6	1467400	1" Steel Burner	3		
	1265589	Burner / Air Shutter Assembly	3	22-Feb-02	
7	1758903	Pilot Assembly - Natural	1		22-Feb-02
	1758904	Pilot Assembly - Propane	1		
8*	1759101	Pilot Bracket	1		
9	1269703	Flame Sensor Wire	1		
10	1466100	Flame Sensor	1		
11*	1028720	Pilot Tubing Aluminum			
12*	1007300	1/8" Steel People Plug	1		
15	1754901	Valve Brasotrol Dual - Natural	1		31-Jul-00
	1754903	Valve Rt Basotrol Dual - Natural	1	31-Jul-00	
	1754902	Valve Brasotrol Dual - Propane	1		31-Jul-00
	1754904	Valve Brasotrol Dual - Propane	1	31-Jul-00	
16	1004640	1/2" Close Nipple 1-1/8" Long	1		
17	1026903	1/2" Union	1		
18	1004645	Nipple	1		
19	1026703	1/2" x 90° Elbow	1		
20	1038403	3/4" To 1/2" Reducer	1	25-Sep-00	
21	1265900	3/4 " Shutoff Valve Brass 3/4"	1	25-Sep-00	
22	1316099	Tail Pipe W/A - OBS	1		7-Mar-02
	1961899	Manifold Pipe W/A 24.250"		7-Mar-02	
23	1004800	1/2 x 1/8 Bell Reducing Coupling	1	22-Feb-02	
24	02251-1	Pressure Test Spigot	1	22-Feb-02	
24A*	1028713	Aluminum Tubing 1/4 x 13 Inches		25-Sep-00	
25*	1322101	Rt/Lt Combustion Chamber Mounting Bracket	1	22-Sep-00	
26*	1516300	Electron Ignition Module - Propane/Natural	1	31-Jan-01	

* NOT ILLUSTRATED

RECOMMENDED STOCK PARTS



Door Assembly.dwg

GARLAND PARTS IDENTIFICATION

MCO-G-5

Door Components

ITEM	PART#	DESCRIPTION	QTY	DATE	
				FROM	UP TO
1	1011201	Steel Tubing Chrome Spacer	2		
2	1750501	Door Catch	1		
3	1757998	Latch Bench Assembly	2		
4	1902918	7.5" Garland Nameplate	1		1-Oct-01
	3077100	Nameplate Garland 7-5/8	1	1-Oct-01	
5	1562604	Door Handle End LT	1		
6	1562605	Door Handle End RT	1		
7	1664802	Door Handle Black	1		
8	8003800	Handle Set Screws	2		
9	1010589	Hinge Bracket Assembly W/Bearing Flange	2		15-Apr-02
	1385497	Hinge Bracket Assembly	2	15-Apr-02	
10	1302800	Upper Door Bearing Retainer	1		15-Apr-02
11	1317200	Top Door Seal Support	1		22-Sep-00
	1905005	Top Door Seal Support	1	22-Sep-00	
12	1905006	Side Door Seal Support	1	22-Sep-00	25-Jul-01
	1905007	Side Door Seal Support Rt	1	21-Jul-01	
13	1905301	Micro Switch Bracket	1		
14	1905202	MCO Door Switch Can	1	12-Oct-99	
15	1855601	Limit Switches	1		
16	1010999	Oven Door Window (3/16 Glass)	1		
20	1906486	Door Liner W/Window Rt Unit SW	1		
	1906489	Door Liner Solid LT Unit S/W	1		
	1906488	Door Liner Solid RT Unit S/E	1		
	1906487	Door Liner W/Window LT Unit SW	1		
21	1906406	Door Panel W/Window RT 1/2 CO	1	11-Jul-02	
	1906403	Door Panel W/Window LT 1/2 CO	1	11-Jul-02	
	1906405	Door Panel Solid RT 1/2 CO	1		
	1906401	Door Panel Solid LT 1/2 CO	1		
22*	1804742	Harness Door SW IM200 MCO0G-5	1		
23*	1905002	Door Seal Bottom	1		
24*	1905001	Door Seal Right/Left	1	16-Mar-00	
25*	1905004	Door Seal Top	1		

Kits Available

Right Hand Door

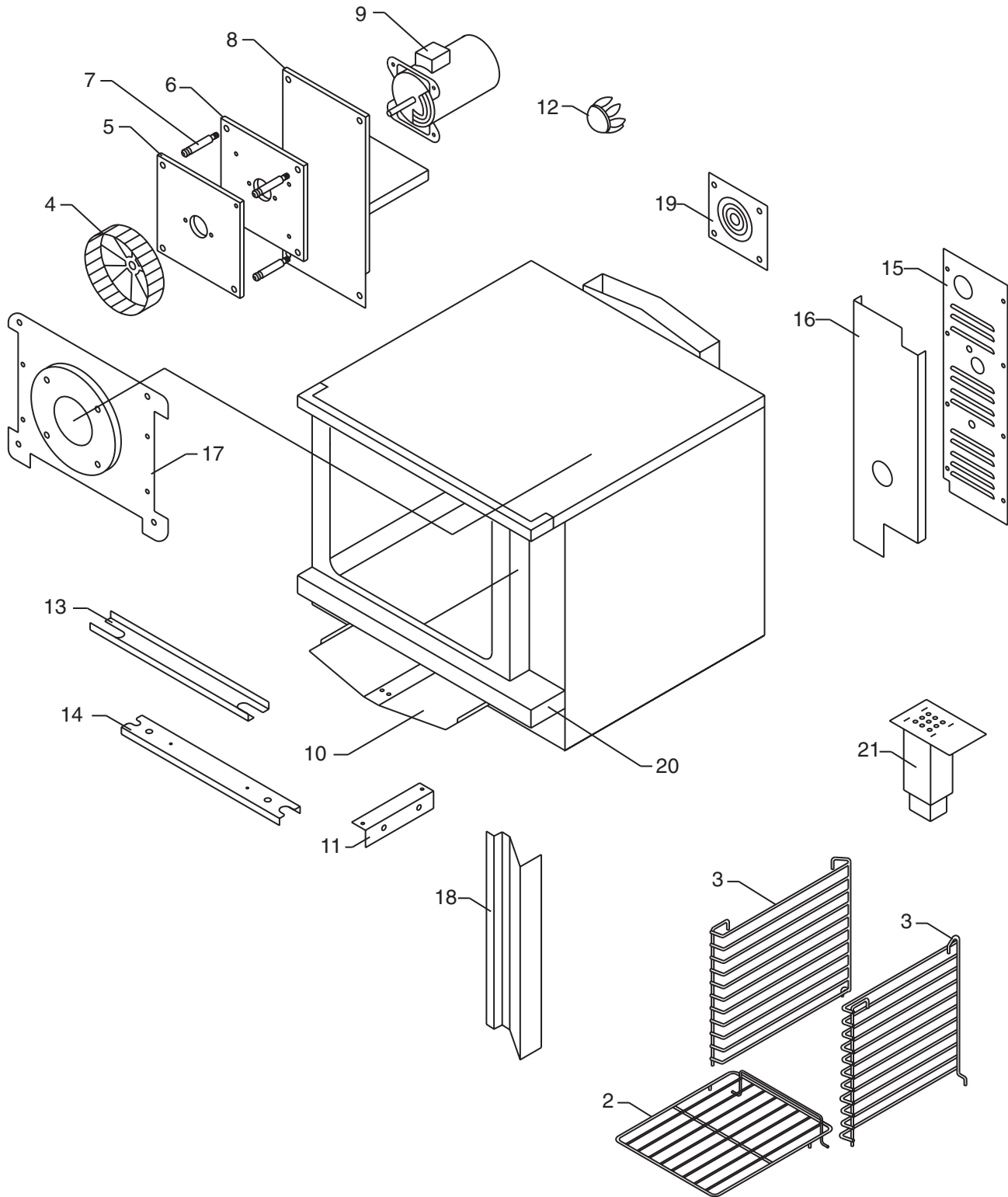
40*	1906498	Complete Assembly Door Solid RT Unit	1		
	1905496	Complete Assembly Door W/Window RT Unit	1		

Left Hand Door

50*	1906499	Complete Assembly Door Solid LT Unit	1		
	1906497	Complete Assembly Door W/Window RT Unit	1		

* NOT ILLUSTRATED

RECOMMENDED STOCK PARTS



Oven Components.dwg

GARLAND PARTS IDENTIFICATION

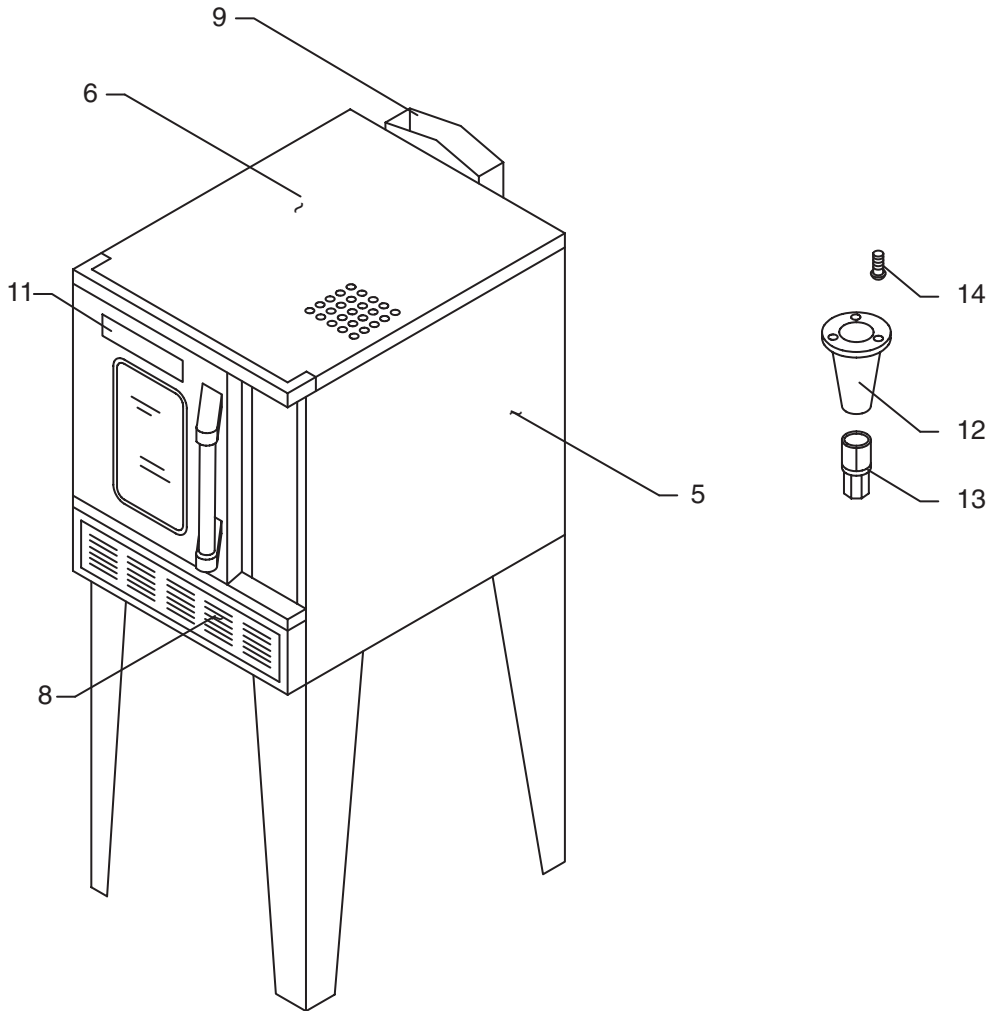
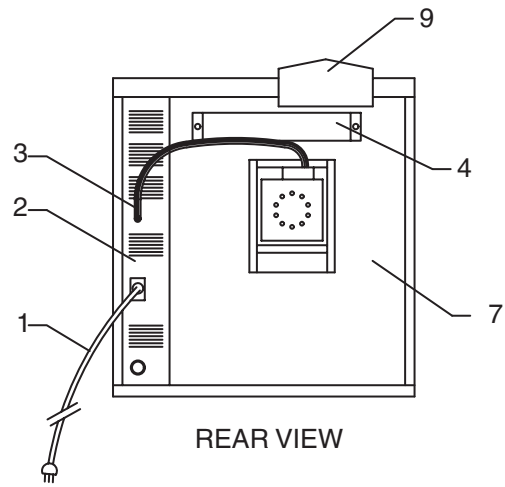
MCO-G-5

Oven Components

ITEM	PART#	DESCRIPTION	QTY	DATE	
				FROM	UP TO
2	1315800	Oven Rack	5		
3	1841003	Rack Guide	2		
4	1765701	Blower Wheel MCO-E-5			31-Oct-00
	1765704	Blower Wheel Complete	1	31-Oct-00	
5	1904996	Motor Mount Inner	1		
6	1904301	Motor Mount Outer	1		
7	1904999	Standoff 2-23/32 Long 3/8" Dia.	4		
8	1905499	Motor Support W/A-GG	1		
9	1913701	Magnetek 1/3 HP 2SP Motor			4-Feb-00
	1951501	1/3 HP 2 Speed Motor	1	4-Feb-00	
10	1909201	Fire Plate	1		
11	1907501	Fire Plate Support	3		
12	1038001	Plug Button 5/8 I.D.	2	25-Sep-00	
	1038000	Plug Button	1		
13	1908702	Top Door Channel - GG	1		
14	1908701	Bottom Door Channel - Gig	1		
15	1907901	Control Panel Rear LT Unit GG	1		
	1907902	Control Panel Rear RT Unit SS	1		
16	1907101	Control Area Partition LT Unit	1		
	1907102	Control Area Partition Rt Unit	1		
17	1904899	Air Baffle Gas 1/2 CO-GCE	1		
18	1910702	Heat Diverter	2	22-Feb-02	
19	1032504	Knockout Plate	1		
20	1904699	Combustion Cover Top LT Unit	1		
21	1953798	Moisture Vent Extension LT	1	22-Feb-02	
22*	1909501	Side Insulation Pan RT/LT	2		
23*	1909401	Top Insulation Pan	2		
24*	1028803	Snap Bushing 1-3/4" Dia	1		
25*	1028800	Snap Bushing 1" Dia	1		

* NOT ILLUSTRATED

RECOMMENDED STOCK PARTS



Main Exterior.dwg

GARLAND PARTS IDENTIFICATION

MCO-G-5

Main Exterior

ITEM	PART#	DESCRIPTION	QTY	DATE	
				FROM	UP TO
1	1029501	8" Long Power Supply	1		
2	1907901	Control Panel Rear LT Unit GG	1		
	1907902	Control Panel Rear RT Unit SS	1		
3	1029426	3/8 BX Cable 26 Long	1		
	1028501	3/8 BX Straight Connector	1		
	1028500	3/8 x 90 Degree BX Connector	2	25-Sep-00	
4	1911501	Probe Cover LT Unit	1		
	1911502	Probe Cover RT Unit	1		
5	1909306	Body Side RT/LT - SS	1		
	1909305	Body Side RT/LT - GG	1		
6	1909306	Body Main Top LT Unit - SS	1		
	1909310	Body Main Top RT Unit - SS	1		
	1909307	Body Main Top LT Unit - GG	1		
	1909308	Body Main Top RT Unit - GG	1		
7	1909301	Body Main Back LT Unit - GG	1		
	1909302	Body Main Back Rt Unit - GG			
8	1904601	Combustion Cover LT Unit	1		22-Feb-02
	1904606	Combustion Cover LT/RT Unit		22-Feb-02	
9	1953699	Flue Box S/W MCO-G-5L/R	1	22-Feb-02	
10*	1953606	Flue Cover Plate MCO-G-5 L/R	1	22-Feb-02	
11	1902918	7.5" Garland Nameplate			1-Oct-01
	3077100	Name Plate -Garland, 7-5/8		1-Oct-02	
12	1027603	Standard 4" Leg Cone	4		
13	1150501	Bullet Leg	4		
14	8002413	Screws	12	26-Sep-00	

Kits Available

30*	CK00-002	4" Leg Kit	1		
-----	----------	------------	---	--	--

* NOT ILLUSTRATED

RECOMMENDED STOCK PARTS



BULLETIN # B-60-2001

From: Parts and Service Division
To: All Authorized Service Agencies

Date: May 28, 2001

SUBJECT: Garland ½ size convection oven control pannel field service kits

Models Affected : All ½ size Garland GAS & ELECTRIC convection ovens from serial number **9905CJ0141 GAS units, 9904CJ0038 for ELECTRIC units** with electronic controls.

There are now field service control pannel kits available. These kits include the control pannel, overlay and membrane (keypad). The field service kits will eliminate the need to affix the keypad and overlay to the control panel while on sight.

Originally when you had to replace a keypad, the overlay had to be changed as well. Often when this was done the grounding tab for the keypad was not attached properly and / or the overlay would have air bubbles.

If you have diagnosed the problem to be the membrane (keypad) order the appropriate kit from the list on the attached page.

NOTE: the field service kits do not include the PCB board or relay board. These parts would have to be ordered separately if required.

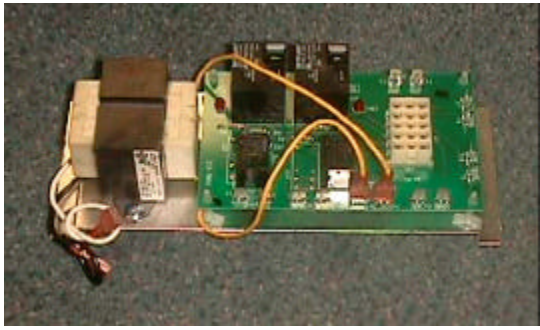
½ Size GARLAND Convection Oven Controller Panel Assemblies**½ Size GAS from SN 9905CJ0141**

Model Number	KIT Part Number
MCO-G-5RE (IM470 Controller)	CK1957885
MCO-G-5LE (IM470 Controller)	CK1957886
MCO-G-5RE (IM475 Controller)	CK1957887
MCO-G-5LE (IM475 Controller)	CK1957888
MCO-G-5RE (IM450 Controller)	CK1957889
MCO-G-5LE (IM450 Controller)	CK1957890
MCO-G-5RE (IM410 Controller)	CK1957891
MCO-G-5LE (IM410 Controller)	CK1957892
MCO-G-5RM (IM300 Controller)	CK1957893
MCO-G-5LM (IM300 Controller)	CK1957894

½ Size ELECTRIC from SN 9904CJ0001

Model Number	KIT Part Number
MCO-E-5 (IM470 Controller)	CK1957895
MCO-E-5 (IM475 Controller)	CK1957896
MCO-E-5 (IM450 Controller)	CK1957897
MCO-E-5 (IM410 Controller)	CK1957898
MCO-E-5 (IM300 Controller)	CK1957899

Above listed kits include the control pannel bezel, keypad and overlay ONLY



1917099 - RELAY BOARD ASSY-
120V



1918201 POLAR FAN 115V



1955101 – SWITCH THERMAL DISC,
COOLING

GARLAND PARTS IDENTIFICATION

Revision History

REV. #	PAGE #	ITEM #	NOTE	DATE
1	5	14	Indicator Lights Are Not Interchangeable. Dates Are Added Beside The Part Number.	Jun 10/03
2	13	5	Part # 1265537 Quantity was 2	Jan 8/04
		6	Part # 1467400 - From Date Added	
			Part # 1265589 - Quantity Was 3 - Up To Date Added	
	20	Bulletin B-60-2002 Added		
3	6,7		IM 300 Control Inserted In The Book	
	3		Index Updated - All Page Numbers Have Been Changed	
4	4,5	30	Part Number 1955101 Added	Apr 15/04
	8,9			
	10, 11			
	12, 13			
	24			
5	5	20	New Number-Was 1269703	Jun 29/04
6	16-17	16	Part Number 1010999 Added – Was Missing	Jun 13/05

NOTES

NOTES

 **GARLAND**[®]