



***GAS BAKE AND PIZZA OVEN
G56-PB & -PT***

PARTS LIST

Toll Free Phone, (US & Canada): (800) 427-6668

Toll Free Fax, (US & Canada): (800) 361-7745

<http://www.garland-group.com>

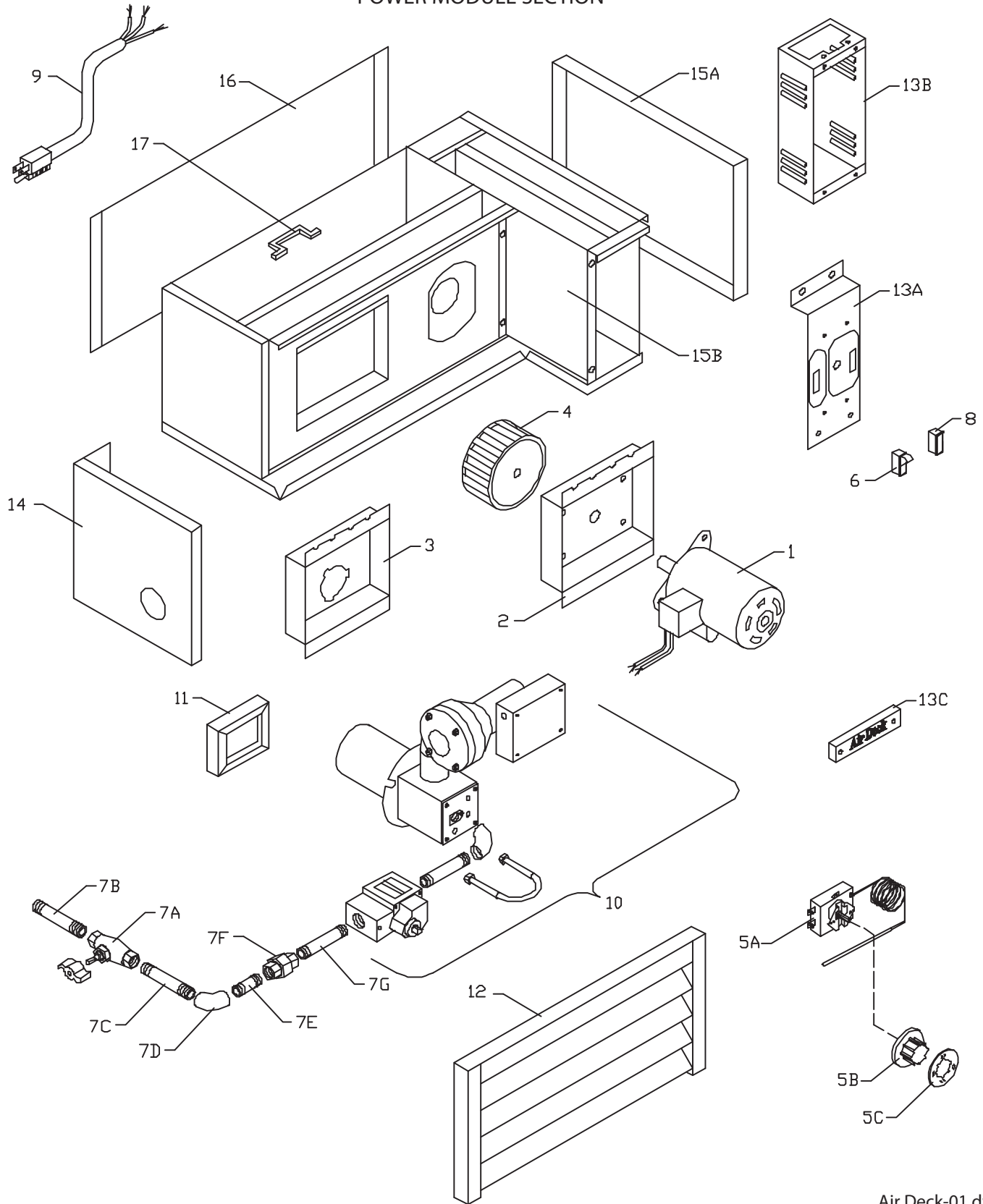


GAS BAKE AND PIZZA OVEN G56-PB & -PT

Contents:

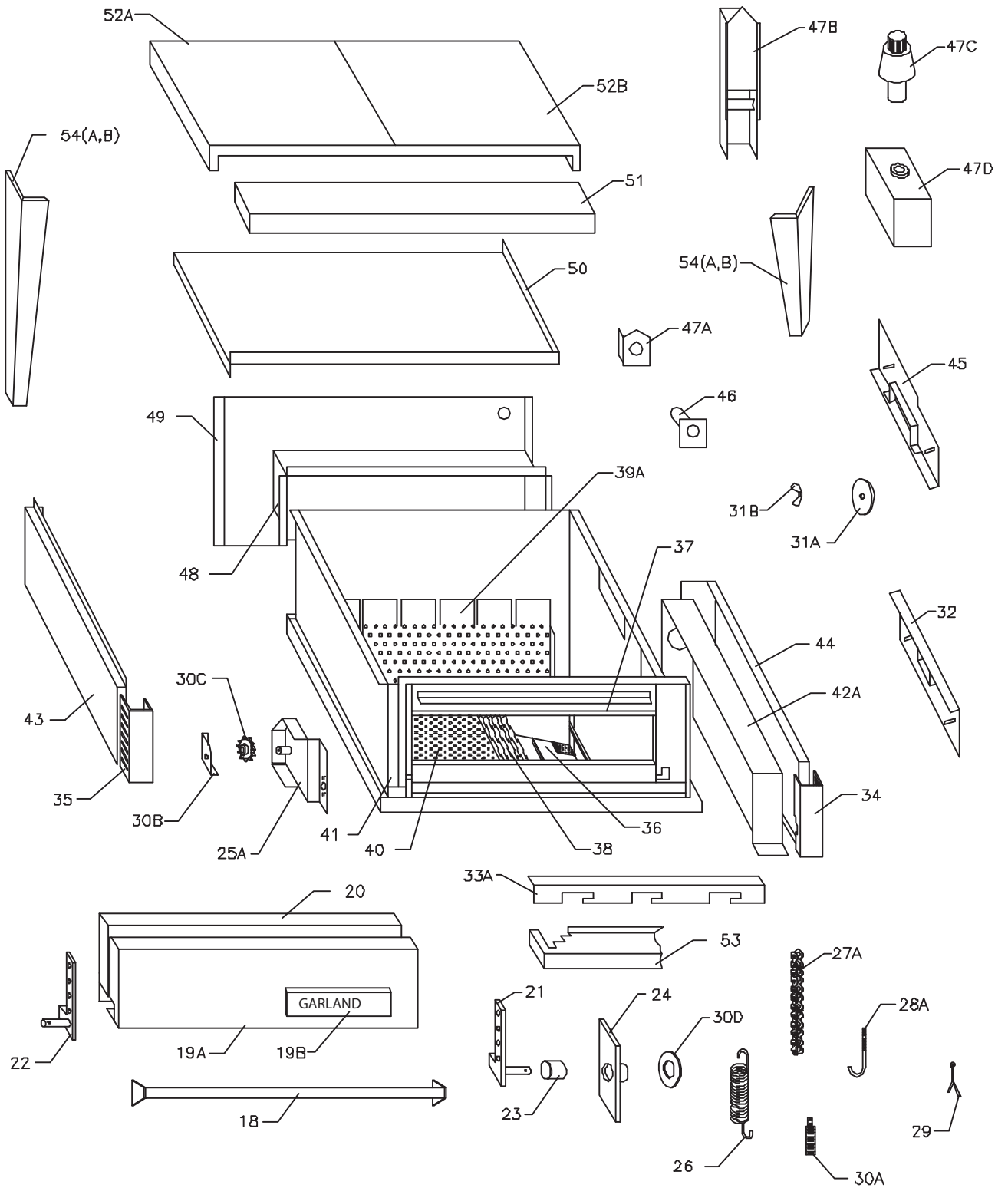
| | |
|--|---------|
| Gas Bake And Pizza Oven G56-PB & -PT | Page 4 |
| Revision History | Page 11 |

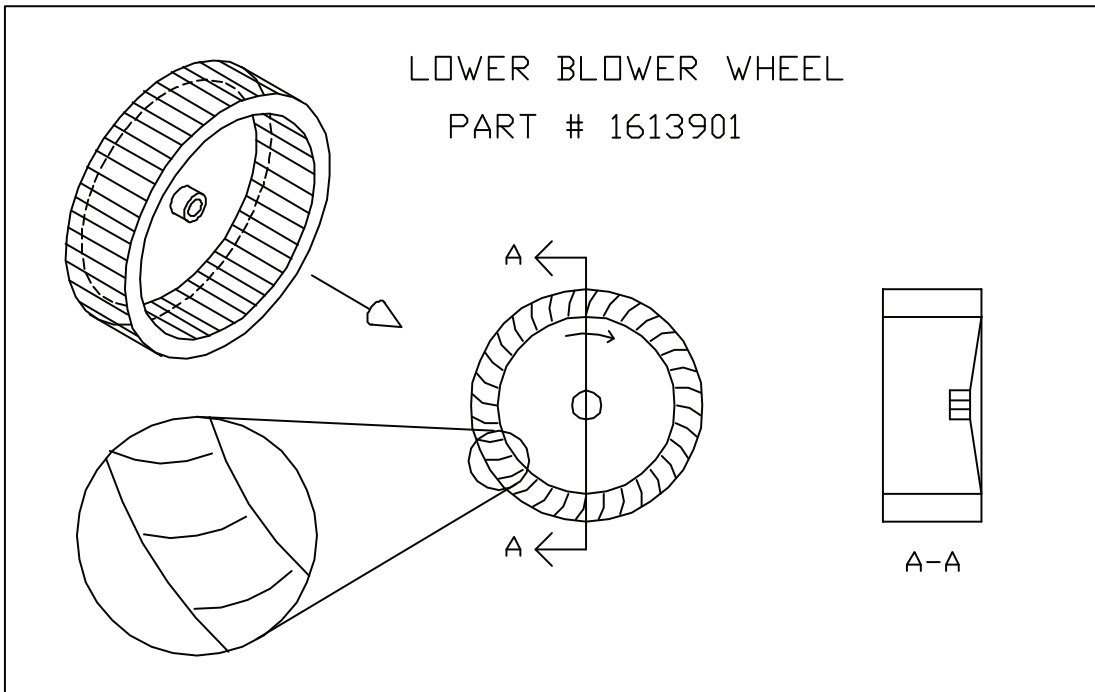
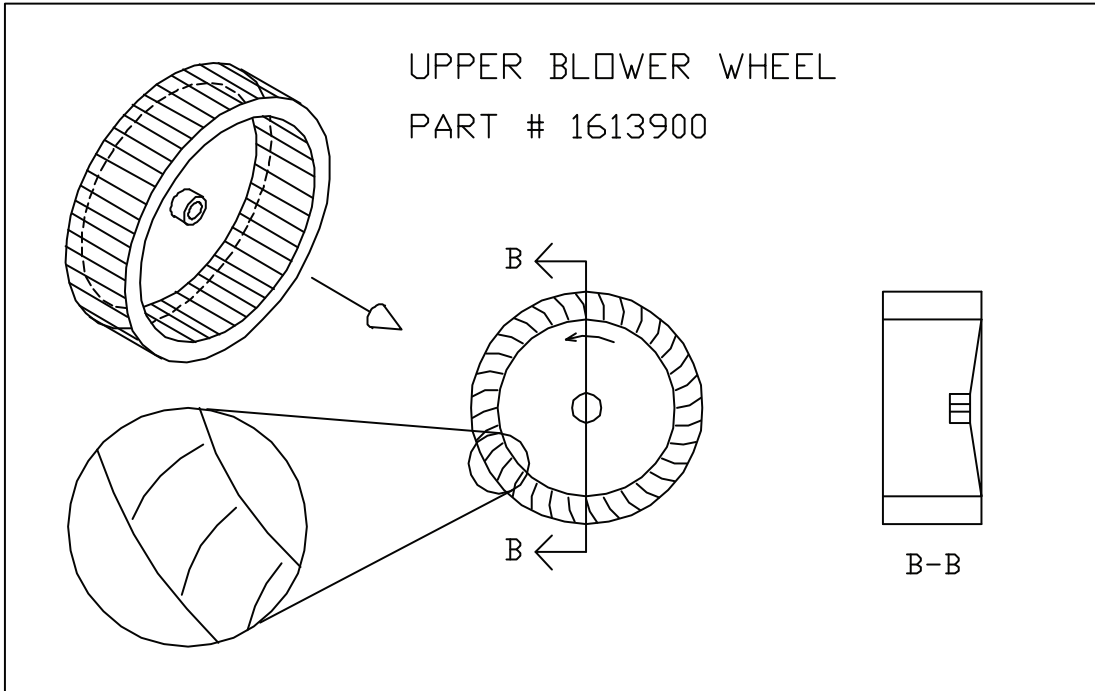
POWER MODULE SECTION



Air Deck-01.dwg

OVEN DECK SECTION





GARLAND PARTS IDENTIFICATION
Gas Bake And Pizza Oven G56-PB & -PT

| ITEM | PART # | DESCRIPTION | MODEL | | CRITICAL |
|---|------------------|---|----------|--------|----------|
| | | | QUANTITY | | |
| | | | G56-PB | G56-PT | |
| 1 | 1615001 | Motor - 3/4 Hp 115/240V 1725 rpm CW/CCW | 1 | 1 | C |
| | 1616097 | Motor Assembly- Upper (Items 1, 2 And 4) | | 1 | |
| | 1616098 | Motor Assembly-Lower (Items 1, 2 And 4) | 1 | | |
| 2 | 1616099 | Motor Back Plate | 1 | 1 | |
| 3 | 1616499 | Burner Panel | 1 | 1 | |
| 4 | 1613900 | Upper Blower Wheel (More details on Page # 6) | | 1 | |
| | 1613901 | Lower Blower Wheel (More details on Page #6) | 1 | | |
| 5A | 1611900 | Thermostat - (K - 410 - 72) | 1 | 1 | C |
| 5B | G02716-1 | Dial - (Universal) Small Shaft | 1 | 1 | C |
| 5C | G02725-21 | Dial Insert (Blank) | 1 | 1 | C |
| 5D* | 1285700 | Mallory Timer 1 hr 115V 50/60H | 1 | 1 | |
| 5E* | 1101402 | Thermostat Bulb Clip | 2 | 2 | |
| 6 | 1019203 | Rocker Power Switch 2 pos 1 Speed On/Off | 1 | 1 | C |
| 7A | 1265900 | Manual Shut off Valve 3/4" NPT | 1 | 1 | C |
| 7B | 1004784 | Tail Pipe 3/4" NPT x 20-1/2" Lg | 1 | 1 | |
| 7C | 1004660 | Close Nipple 3/4" NPT | 1 | 1 | |
| 7D | 1026713 | Reducing Elbow 3/4" To 1/2" NPT x 90 | 1 | 1 | |
| 7E | 1004640 | Close Nipple 1/2" NPT With 1/8" Pressure Plug | 1 | 1 | |
| 7F | 1026903 | Union 1/2" NPT | 1 | 1 | |
| 7G | 1621600 | Pipe 1/2" NPT x 7" With Pressure Plug | 1 | 1 | |
| 8 | 1621000 | Pilot Light - Red, 28V | 1 | 1 | C |
| 9 | 1029501 | 8' Long Power Supply Cord | 1 | 1 | |
| 10 | 1614700 | Power Type Gas Burner - Natural | 1 | 1 | |
| | 1614701 | Power Type Gas Burner - Propane | 1 | 1 | |
| The Following Parts are Piece Parts from 1614700 and 1614701 | | | | | |
| | 1614703 | 100% Shut Off Ignition Control | 1 | 1 | |
| | 1614704 | Burner Unit | 1 | 1 | |
| | 1614705 | Motor Control Box Assembly | 1 | 1 | |
| | 1614706 | Motor Blower Assembly | 1 | 1 | C |
| | 1614707 | Control Box Assembly | 1 | 1 | |
| | 1614708 | Gasket | 1 | 1 | |
| | 1614709 | Transformer - 120V to 24V | 1 | 1 | |
| | 1614710 | Time Delay Relay | 1 | 1 | |
| | 1614711 | Safety Valve - Natural | 1 | 1 | C |
| | 1614712 | Safety Valve - Propane | 1 | 1 | C |
| | 1614713 | Control Box With Straps Only | 1 | 1 | |
| | 1614714 | Pilot Burner - Natural | 1 | 1 | |
| | 1614715 | Ignitor Wire | 1 | 1 | |
| | 1614716 | Pilot Burner - Propane | 1 | 1 | |
| | 1666002 | Main Burner Orifice - Propane #41 | 1 | 1 | |
| | 1666102 | Main Burner Orifice - Natural #19 | 1 | 1 | |
| 11 | 1619199 | Burner Tube | 1 | 1 | C |
| 12 | 1617898 | Lower Power Module Louvered Panel | 1 | | |
| | 1617899 | Upper Power Module Louvered Panel | | 1 | |
| 13A | 1617494 | Control Panel - Upper, 3 Timer Enamelled | | 1 | |
| | 1617495 | Control Panel - Upper, 1 Timer Enamelled | | 1 | |
| | 1617496 | Control Panel - Upper, No Timer Enamelled | | 1 | |
| | 1617497 | Control Panel - Lower, 3 Timer Enamelled | 1 | | |
| | 1617498 | Control Panel - Lower, 1 Timer Enamelled | 1 | | |
| | 1617499 | Control Panel - Lower, No Timer Enamelled | 1 | | |

* NOT ILLUSTRATED

RECOMMENDED STOCK ITEMS

GARLAND PARTS IDENTIFICATION
Gas Bake And Pizza Oven G56-PB & -PT

| ITEM | PART # | DESCRIPTION | MODEL | | CRITICAL |
|------|----------------|--|----------|--------|----------|
| | | | QUANTITY | | |
| | | | G56-PB | G56-PT | |
| 13B | 1617196 | Control Box/Upper Power Module - Painted | | 1 | |
| | 1617197 | Control Box/Lower Power Module - Painted | 1 | | |
| | 1617198 | Control Box/Upper Power Module S.S. | | 1 | |
| | 1617199 | Control Box/Lower Power Module S.S. | 1 | | |
| 13C | 1620400 | Air Deck Nameplate | 1 | 1 | |
| 14 | 1617296 | Upper Power Module Body Side Left - S.S. | | 1 | |
| | 1617297 | Upper Power Module Body Side Left - Painted | | 1 | |
| | 1617298 | Lower Power Module Body Side Left - S.S. | 1 | | |
| | 1617299 | Lower Power Module Body Side Left - Painted | 1 | | |
| 15A | 1617000 | Lower Power Module Body Side Right - Painted | 1 | | |
| | 1617001 | Lower Power Module Body Side Right - S. S. | 1 | | |
| | 1617002 | Upper Power Module Body Side Right - Painted | | 1 | |
| | 1617003` | Upper Power Module Body Side Right - S.S. | | 1 | |
| 15B | 1617699 | Power Module Inner Body Side -Painted. | 1 | 1 | |
| | 1617698 | Power Module Inner Body Side - S.S. | 1 | 1 | |
| 16 | 1617300 | Power Module Body Back - Painted | 1 | 1 | |
| | 1617301 | Power Module Body Back - S.S. | 1 | 1 | |
| 17 | 1619400 | Thermostat Bulb Bracket | 1 | 1 | |
| 18 | 1613098 | Door Handle - Chrome Plated | 1 | 1 | C |
| | 1038006 | Plug Button 3/4" | 2 | 2 | C |
| 19A | 1611300 | Outer Door Panel - S.S. | 1 | 1 | |
| 19B | 1902197 | Garland Name Plate | 1 | 1 | |
| 20 | 1611299 | Door Liner | 1 | 1 | |
| 20A* | 1611298 | Complete Door Assembly Items 18, 19 & 20 | 1 | 1 | |
| 21 | 1612297 | Door Hinge Right | 1 | 1 | |
| 22 | 1612296 | Door Hinge Left | 1 | 1 | |
| 23 | 1011201 | Steel Tubing Chrome Spacer | 2 | 2 | |
| 24 | 1611597 | Trunion / Bushing Assembly | 2 | 2 | |
| 25A | 1622299 | Hinge Plate - Left | 1 | 1 | |
| 25B* | 1622298 | Hinge Plate - Right | 1 | 1 | |
| 26 | 1760401 | Oven Door Spring | 2 | 2 | |
| 27A | 1021101 | Roller Chain - #40 9-1/2" Lg | 2 | 2 | |
| 27B* | 1021299 | Connecting Links # 40 Components | 2 | 2 | |
| 28A | 9004701 | Oven Door Spring Hook | 2 | 2 | |
| 28B* | 8000303 | Flat Washer -1/4" x 5/8" | 8 | 8 | |
| 29 | 1121400 | Cotter Pin - 3/32" x 1 " Lg | 2 | 2 | C |
| 30A | 1546000 | Hinge Pin With Hole | 2 | 2 | |
| 30B | 1622301 | Sprocket Bracket | 2 | 2 | |
| 30C | 1734099 | Sprocket/bushing Assembly | 2 | 2 | |
| 30D | 1734400 | Large Washer - 3/4" x 1-1/4" | 2 | 2 | |
| 31A | 8000321 | Washer Retainer - 1/4" x 1-1/4" | 4 | 4 | |
| 31B | 8004401 | Thumb Screw 1/4-20 x 3/4" | 2 | 2 | |
| 32 | 1613899 | Lower Restrictor Plate | 1 | 1 | |
| 33A | 1619300 | Front Deck Hold Down | 1 | 1 | |
| 33B* | 1614002 | Adjusting & Deck Tool | 1 | 1 | |
| 33C* | 1166900 | Shoulder Bolt - 10-24 x 9/16" | 3 | 3 | |
| 34 | 1622401 | Louvered Corner Trim - Right | 1 | 1 | |
| 35 | 1622402 | Louvered Corner Trim - Left | 1 | 1 | |
| 36 | 1612399 | Lower Base Plenum | 1 | 1 | |

* NOT ILLUSTRATED

RECOMMENDED STOCK ITEMS

GARLAND PARTS IDENTIFICATION
Gas Bake And Pizza Oven G56-PB & -PT

| ITEM | PART # | DESCRIPTION | MODEL | | CRITICAL |
|--|---------|--|----------|--------|----------|
| | | | QUANTITY | | |
| | | | G56-PB | G56-PT | |
| 37 | 1618700 | Upper Air Baffle | 1 | 1 | |
| 38 | 1614699 | Lower Plenum Jet Plate | 2 | 2 | |
| 39A | 1618800 | Rear Jet Screen | 1 | 1 | |
| 39B* | 1613400 | Plenum Rod - Top | 1 | 1 | |
| 40 | 1618997 | Deck Screen - S. S. | 3 | 3 | |
| 41 | 1611199 | Front Frame | 1 | 1 | |
| 42A | 1611799 | Interior Air Chamber - Right Side - Lower | 1 | | |
| 42B* | 1611798 | Interior Air Chamber - Right Side - Upper | | 1 | |
| 42C* | 1613199 | Air Box Inner - Right Side - Lower | 1 | | |
| 42D* | 1613198 | Air Box Inner - Right Side - Upper | | 1 | |
| 43 | 1613698 | Left Body Side - Painted | 1 | 1 | |
| | 1613696 | Left Body Side - S.S. | 1 | 1 | |
| 44 | 1613699 | Right Body Side - Painted | 1 | 1 | |
| | 1613697 | Right Body Side - S.S. | 1 | 1 | |
| 45 | 1614099 | Upper Restrictor Plate | 1 | 1 | |
| 46 | 1618099 | Flue Tube | 1 | 1 | |
| 47A | 1618299 | Flue Box | 1 | | |
| 47B | 1618298 | Flue Box Riser - (Bottom Deck To Top) | | 1 | |
| | CK4529 | Direction Vent Optional Part - Included Items 47C & 47D | 1 | 1 | |
| 47C | 1621199 | Flue Box Collector | 1 | 1 | |
| 47D | 1190100 | 6" Direct Bell | 1 | 1 | |
| 48 | 1612499 | Return Air Box | 1 | | |
| | 1612498 | Return Air Box | | 1 | |
| 49 | 1616700 | Body Back - Lower - Painted | 1 | | |
| | 1616702 | Body Back - Lower S.S. | 1 | | |
| | 1616701 | Body Back - Upper Painted | | 1 | |
| | 1616703 | Body Back - Upper - S.S. | | 1 | |
| 50 | 1611801 | Top Liner Interior | 1 | | |
| | 1611898 | Top Liner Interior | | 1 | |
| 51 | 1613506 | Front Trim Top - S.S. | | 1 | C |
| 52A | 1707201 | Lower Main Top Left Side - Painted | 1 | | |
| | 1791203 | Lower Main Top Left Side - S.S. | 1 | | |
| 52B | 1707202 | Lower Main Top Right Side - Painted | 1 | | |
| | 1707204 | Lower Main Top Right Side - S.S. | 1 | | |
| 52C* | 1613598 | Trim Top Upper - Painted | | 1 | |
| | 1613599 | Trim Top Upper - S.S. | | 1 | |
| 53 | 1613503 | Bottom Front Trim - S.S. | 1 | | |
| Single Unit Legs All Leg Sizes Listed Will Vary With Adjustable Foot Insert | | | | | |
| 54-A | 1767697 | 20" Leg - Painted (Old # - 1612706) | 2 | | |
| | 1767696 | 20" Leg - S.S. (Old # - 1612702) | 2 | | |
| | 1767693 | 36-1/4" Leg - Painted (Old # -1612707) | 2 | 4 | |
| | 1767692 | 36-1/4" Leg - S.S. (Old # 1612703) | 2 | 4 | |

* NOT ILLUSTRATED

RECOMMENDED STOCK ITEMS

GARLAND PARTS IDENTIFICATION
Gas Bake And Pizza Oven G56-PB & -PT

| ITEM | PART # | DESCRIPTION | MODEL | | CRITICAL |
|----------------------------------|----------|---|----------|--------|----------|
| | | | QUANTITY | | |
| | | | G56-PB | G56-PT | |
| Double Unit Only | | | | | |
| 54B | 1767699 | 8" Leg - Painted (Old # - 1612704) | 2 | | |
| | 1767698 | 8" Leg - S.S. (Old # - 1612794) | 2 | | |
| | 1767695 | 24-1/4" Leg - Painted (Old # - 1612705) | 2 | | |
| | 1767694 | 24-1/4" Leg - S.S. (Old # - 1612705) | 2 | | |
| 54C* | 1236100 | 1-1/2" Square Foot Insert | 4 | 4 | |
| Casters Are Not Available | | | | | |
| 55* | 1708399 | Warming Rack Complete (Optional) | | | |
| 56* | CK4537 | Air Deck Full Retro - Fit Spring Kit Items 18, 19 & 20 | 1 | 1 | |
| 57* | CK4537-A | Air Deck Spring Kit Items 26, 28A, 28B | 1 | 1 | |

* NOT ILLUSTRATED

RECOMMENDED STOCK ITEMS

GARLAND PARTS IDENTIFICATION

Revision History

| REV. # | PAGE # | ITEM # | NOTE | DATE |
|--------|-------------|------------------|---|-----------|
| 1 | 6 | | New Drawing added | Mar 13/02 |
| 2 | 7 | 1 | New Description | May 26/05 |
| 3 | 7 | Under Item 10 | Part # 1666000 - Pilot Orifice - L.P. Deleted | Aug 09/07 |
| | | | Part # 1666101 - Pilot Orifice - Nat Deleted | |
| | | | Part # 1614714 Description Changed | |
| | | | Part # 1614716 Description Changed | |
| 4 | Entire Book | | Critical Column Added | Mar 18/08 |
| | 6 | | New Drawing | |
| | 7 | 4 | Description Changed | |

 **Garland**[®]