



# INSTALLATION OPERATION AND SERVICE MANUAL

## G2000 SERIES GAS BAKE AND ROAST DECK OVENS



**FOR YOUR SAFETY:**  
DO NOT STORE OR USE GASOLINE  
OR OTHER FLAMMABLE VAPORS OR  
LIQUIDS IN THE VICINITY OF  
THIS OR ANY OTHER  
APPLIANCE

**WARNING:**  
IMPROPER INSTALLATION, ADJUSTMENT,  
ALTERATION, SERVICE OR MAINTENANCE  
CAN CAUSE PROPERTY DAMAGE, INJURY,  
OR DEATH. READ THE INSTALLATION,  
OPERATING AND MAINTENANCE  
INSTRUCTIONS THOROUGHLY  
BEFORE INSTALLING OR  
SERVICING THIS EQUIPMENT

PLEASE READ ALL SECTIONS OF THIS MANUAL  
AND RETAIN FOR FUTURE REFERENCE.

THIS PRODUCT HAS BEEN CERTIFIED AS  
COMMERCIAL COOKING EQUIPMENT AND  
MUST BE INSTALLED BY PROFESSIONAL  
PERSONNEL AS SPECIFIED.

IN THE COMMONWEALTH OF MASSACHUSETTS  
THIS PRODUCT MUST BE INSTALLED BY A  
LICENSED PLUMBER OR GAS FITTER. APPROVAL  
NUMBER: G-1-07-05-28

For Your Safety:  
Post in a prominent location, instructions to be  
followed in the event the user smells gas. This  
information shall be obtained by consulting  
your local gas supplier.

Users are cautioned that maintenance and repairs must be performed by a Garland authorized service agent using genuine Garland replacement parts. Garland will have no obligation with respect to any product that has been improperly installed, adjusted, operated or not maintained in accordance with national and local codes or installation instructions provided with the product, or any product that has its serial number defaced, obliterated or removed, or which has been modified or repaired using unauthorized parts or by unauthorized service agents. For a list of authorized service agents, please refer to the Garland web site at <http://www.garland-group.com>. The information contained herein, (including design and parts specifications), may be superseded and is subject to change without notice.

Manufactured by:  
Cleveland Range  
1333 East 179<sup>th</sup> Street  
Cleveland, Ohio 44110  
USA

Garland Commercial Ranges, LTD.  
1177 Kamato Road,  
Mississauga, Ontario L4W 1X4  
CANADA

General Inquiries 1-905-624-0260  
USA Sales, Parts and Service 1-800-424-2411  
Canadian Sales 1-888-442-7526  
Canada or USA Parts/Service 1-800-427-6668

## IMPORTANT INFORMATION

**WARNING:**

**This product contains chemicals known to the state of California to cause cancer and/or birth defects or other reproductive harm. Installation and servicing of this product could expose you to airborne particles of glass wool/ceramic fibers. Inhalation of airborne particles of glass wool/ceramic fibers is known to the state of California to cause cancer.**

**Keep appliance area free and clear of combustibles.**

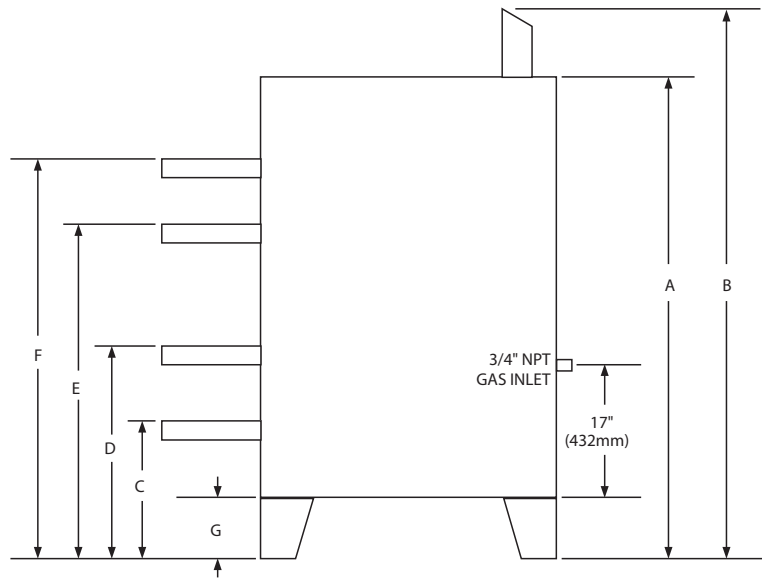
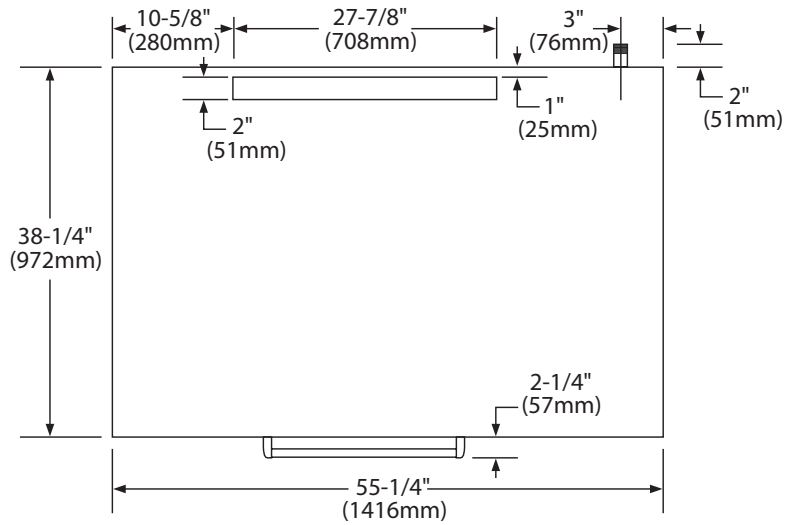
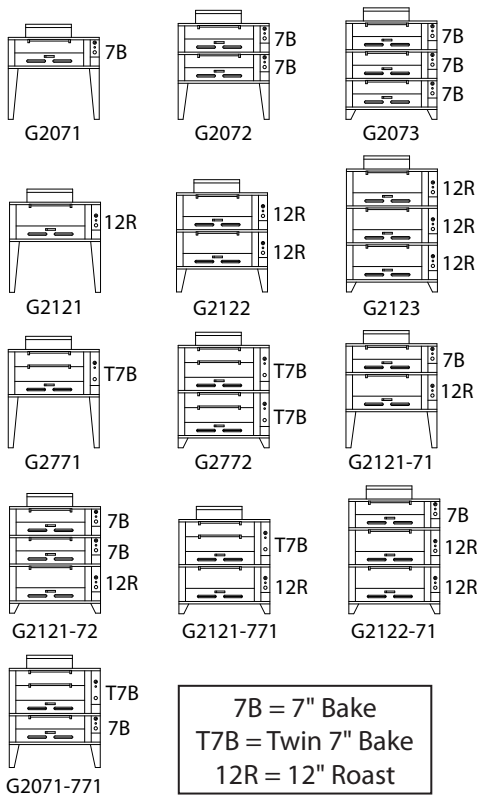
***Rights written notice***

2012 ALL RIGHTS RESERVED. This manual and the text and images it contains may not be modified in any way, by any means, without written permission from Garland Commercial Ranges Ltd. .

# TABLE OF CONTENTS

<b>Important Information</b> .....	<b>2</b>	<b>Operation</b> .....	<b>10</b>
<b>Dimensions And Specifications, G2000 Series</b> .....	<b>4</b>	Burn Off – Deck Curing .....	10
<b>OVEN SPECIFICATIONS</b> .....	<b>5</b>	User Guide – Timetable for Roasting .....	11
General.....	5	User Guide – Timetable for Baking.....	13
<b>INTRODUCTION.....</b>	<b>5</b>	<b>Maintenance</b> .....	<b>14</b>
Garland Variety Ovens .....	5	Stainless Steel .....	14
<b>INSTALLATION.....</b>	<b>6</b>	Oven Interior .....	14
Pre-Installation Instructions .....	6	Cleaning of Oven Hearth .....	14
Rating Plate.....	6		
Location of the Oven.....	6		
Clearances.....	6		
Legs.....	7		
Assembly of Two-Section Oven.....	7		
Installation of Oven Vent .....	7		
Top Trim Installation .....	8		
Ovens with Optional Light Feature.....	8		
Gas Connection-Single & Multiple Ovens.....	8		
Installation Of Oven Heat Deflectors, Corderite/Steel Hearths & Inner Oven Linings.....	9		
Ventilation and Air Supply.....	9		
Installation of a Direct Flue .....	9		

# DIMENSIONS AND SPECIFICATIONS, G2000 SERIES



All Models	Natural	Propane
Manifold	5.5" WC	10.0" WC
Operating Pressure	(13.7 Mbar)	(24.9 Mbar)
Minimum Supply Pressure	7.0" WC	11.0" WC
	(17.4 Mbar)	(27.4 Mbar)

Combustible Wall Clearances	
Sides	Back
1" (25mm)	6" (152mm)

MODEL	A: In (mm)	B: In (mm)	C: In (mm)	D: In (mm)	E: In (mm)	F: In (mm)	G: In (mm)	Total BTU
G2071	50(1270)	58(1473)	40½(1664)				31(787)	40,000
G2072	58½(1270)	66½(1689)	31½(800)	49(1283)			22(559)	80,000
G2073	60(1524)	68(1727)	15½(394)	33(838)	50½(1283)		6(152)	120,000
G2121	55(1397)	63(1600)	40½(1664)				31(787)	40,000
G2122	60½(1537)	68½(1740)	23½(597)	46(1168)			14(356)	80,000
G2123	75(1905)	83(2018)	15½(394)	38(965)	60½(1537)		6(152)	120,000
G2771	60(1524)	68(1727)	40½(1664)	50½(1283)			31(787)	50,000
G2772	62½(1587)	70½(1791)	15½(394)	25½(648)	43(1092)	53(1346)	6(152)	100,000
G2121-71	63½(1613)	71½(1816)	31½(800)	54(1372)			22(559)	80,000
G2121-72	65(1651)	73(1854)	15½(394)	38(965)	55½(1410)		6(152)	120,000
G2121-771	57½(1460)	65½(1664)	15½(394)	38(965)	48(1219)		6(152)	90,000
G2122-71	70(1778)	78(1981)	15½(394)	38(965)	60½(1537)		6(152)	120,000
G2071-771	60½(1537)	68½(1664)	23½(597)	41(1041)	51(1295)		14(356)	90,000

# OVEN SPECIFICATIONS

## General

### Construction:

Ovens are of the sectional type with each section operating independently. Sectional type with each section operating independently. Sectional design makes it easy to add additional sections as required. Heavy duty modular construction minimizes the use of hard to clean screws and bolts on the exterior of the oven. Cleaning is easier and more complete. Sections are supported on heavy steel legs, which are easily changed as sections are added. Oven legs are standard equipment.

### Bake Section:

Bake section interior is 42" x 32" x 7" each section. The 3/4" corderite deck is provided as standard equipment. A 12 gauge steel hearth may be substituted if specified before placing order.

### General Purpose Section:

Two compartments 42" x 32" x 7" each section. Each provided with its own deck and door. Standard deck is 3/4" thick corderite. A 12 gauge hearth may be substituted if specified before placing order.

### Roast Sections:

The 12" roast interior is 42" x 32" x 12". Interior of the 16" sections is 42" x 32" x 16". A 12 gauge steel hearth is provided as standard for both 12" gauge steel hearth is provided as standard for both 12" and 16" sections. A corderite deck is available as an optional extra.

### Burners:

Each oven is heated by two "U" shaped lance ported burners firing directly on heavy steel tread plate between the burners and the deck. In each oven section, a heavy duty throttling/snap action gas thermostat controls burners to provide a 150° to 500° Fahrenheit temperature range affording low temperature holding feature. Each section is further provide with an independent ON/OFF gas valve and 100% safety pilot system.

### Venting:

Flue deflector is provided to meet ventilation system requirements. Internal flues connect for stacking.

### Oven Door:

Oven door is engineered with precise balance and exceptional durability. Door opens to full width of oven cavity and to exact level of horizontal oven deck for unobstructed loading. Door will support tin excess of 250 pounds of load.

# INTRODUCTION

## Garland Variety Ovens

The dependable line of Garland Variety Heavy Duty Bake and Roast Ovens are designed for use where quality foods are prepared in mass quantity. These ovens are ideal for hotels, hospital, schools, larger cafeterias, dining rooms and all other high production operations.

Basic Variety Oven sections are designed for stacking to provide an infinite choice of bake and roast combinations. Independently operated oven sections with separate controls, afford the advantage of cooking a variety of products at difference temperatures at the same time.

GARLAND'S new Variety Oven line was designed to give years of dependable service. Engineering excellence assures customers of quality construction and products that perform well. This addition to the GARLAND family of commercial cooking products is testimony to the dedicated efforts of our employees, who have pride in their workmanship and therefore, build better products that reflect this spirit.

# INTRODUCTION Continued

## Rating Plate

When corresponding with the factory or your local authorized factory service center regarding service problems or replacement parts, be sure to refer to the particular unit by the correct model number (including the prefix and suffix letters and numbers) and the warranty serial number. The rating plate affixed to the unit contains this information.

We suggest installation, maintenance and repairs should be performed by your local authorized service agency listed in your information manual pamphlet.

In the event you have any questions concerning the installation, use, care or service of the product, write or call our Product Service Department.

This product must be installed by professional personnel as specified. Garland/U.S. Range products are not approved or authorized for home or residential use, but are intended for commercial applications only. Garland / U.S. Range will not provide service, warranty, maintenance or support of any kind other than in commercial applications.

## Location of the Oven

Appliances shall be installed in a location in which the facilities for ventilation permit satisfactory combustion of gas and proper venting. Appliances shall be located so as not to interfere with proper circulation of air within the confined space. When buildings are so tight that normal infiltration does not provide the necessary air, outside air shall be introduced.

## Clearances

NOTE: Unit must be installed with no less than 6 inches (152mm) clearance from combustible construction at both sides and rear. Installation to non-combustible construction is (0") clearance at both sides and rear. The unit suitable for installation on combustible floors.

# INSTALLATION

## Pre-Installation Instructions

The importance of proper installation of commercial gas cooking equipment cannot be over stressed. Proper performance of the equipment is dependent, in great part, on the compliance of the installation with the manufacturer's specifications. The installation and connections must comply with local codes, or in the absence of local codes, with CAN/CGA-B149 installation code or with the National Fuel Gas code, ANSI Z 223.1/NFPA No. 54 – latest edition.

All burner adjustments and setting shall be made by a qualified gas technician.

- A. The type of gas for which the unit is equipped is stamped on the data plate located behind lower front panel. Connect a unit stamped "NAT" only to natural gas; connect a unit stamped "PRO" only to propane gas.
- B. If it is a new installation, have gas authorities check meter size and piping to assure that the unit is supplied with sufficient amount of gas pressure required to operate the unit.
- C. If it is additional or replacement equipment, have gas authorities check pressure to make certain that existing meter and piping will supply fuel at the unit with not more than 1/2" water column pressure drop.

# INSTALLATION Continued

- D. Obtain a pressure regulator to deliver gas at the pressure shown on the rating plate. This unit is supplied with a pressure regulator.

NOTE: When checking pressure be sure that all other equipment on the same gas line is on. A pressure regulator is supplied with GARLAND equipped. Set regulator to deliver gas at pressure shown on rating plate. Installation must conform with the national Fuel Gas Code ANSI Z223.1-Latest Edition/NFPA No. 54-Latest Edition and/or local code to assure safe and efficient operation.

NOTE: In Canada, the installation shall be in accordance with CAN/CGA-B149.1 NATURAL GAS INSTALLATION CODE or CAN/CGA-B149.2 PROPANE GAS INSTALLATION CODE and local codes where applicable.

NOTE: The appliance and its individual shut-off (supplied by others) must be disconnected from the gas supply piping system during any pressure testing of that system at test pressures in excess of 1/2 PSI (3.45kPa).

The appliance must be isolated from the gas supply piping by closing its individual manual shut-off (supplied by others) during any pressure testing of the gas supply piping system at test pressures equal to or less than 1/2 PSI (3.45 kPa).

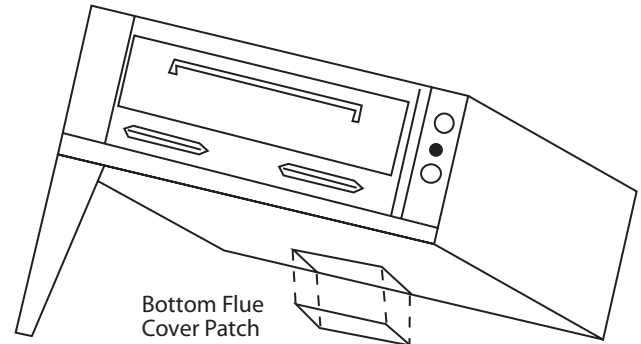
NOTE: Adequate clearance must be provided for servicing and proper operation.

## Legs

Raise the front of the oven. Position the legs inside the front corners of the angle from frame. Start each bolt, threading them into the weld nuts on the angle base frame. Four (4) bolts and four (4) washers must be used to secure each leg in place. Tighten the bolts evenly and securely. Raise and block the rear of the oven and fasten the rear legs as above.

## Assembly of Two-Section Oven

Before raising the upper section into its proper position, check at the rear centre of the underside of the upper section (as per drawing). The rectangular flue opening should be open. If the flue opening is covered, remove the "Bottom Flue cover Patch" and discard.



Be sure that the top trim cap (stainless steel angle iron square frame) is not installed on the lower or middle ovens. Place 2 x 4's on the top of the lower or middle ovens. Place 2 x 4's on the top of the lower oven section – about 6" in from each side, running front to back. Raise the top section and position it on the 2 x 4's so that the front, rear and sides of the top section line up with the lower section. The internal upper flue will telescope over the internal lower flue.

The upper oven section bottom frame will telescope or capture the bottom unit. It is not necessary to bolt the section together.

## Installation of Oven Vent

1. The most efficient system for ventilating this oven is a properly designed hood. This hood should extend 6 inches beyond the front and sides of the oven and the back, unless oven is against a fire resistive wall. The design of the hood should be such that it will not pull the heat too rapidly out of the oven through the flue.

# INSTALLATION Continued

The flue deflector provided (Fig. 1) should be installed to prevent this situation from occurring. Set the flue deflector in place over the flanges of the internal flue. The sloped opening of the flue deflector will be to the front. Fasten the side flanges of the flue deflector by means of the sheet metal screws provided.

2. If the oven must be connected to a direct flue, this flue should rise 10 feet above the roof of the building in which the oven is installed, or 10 feet above any portion of a building within a horizontal distance of 10 feet. The draft hood provided must be installed. In addition, it is necessary that barometric draft control (available from Garland) be installed. (See Fig. 2)

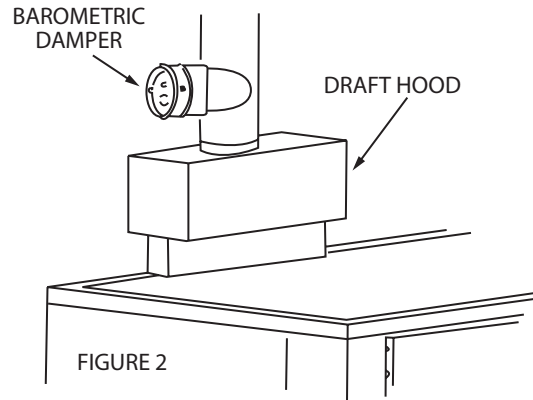
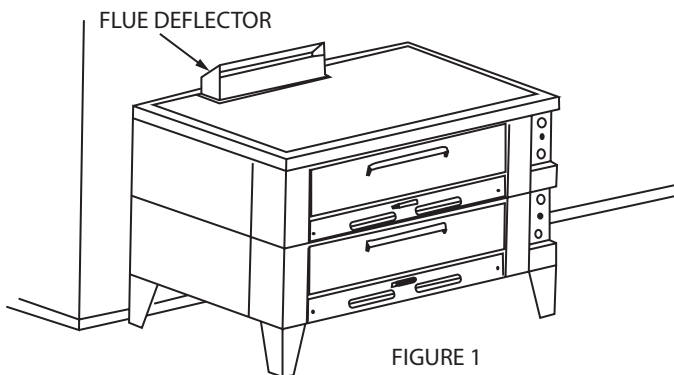
The draft hood should be positioned with its vertical bottom opening over the vertical flanges of the oven flue. The flanges of the draft hood should be to the sides and front. Fasten the draft hood to the oven by means of sheet metal screws through the holes on each side flange at the bottom of the draft hood.

The barometric damper must be installed to conform with the applicable instructions packed with the barometric damper. The relief opening of the barometric damper should be located so that it is not obstructed by any part of the oven or adjacent constructions.

The barometric damper should be installed as close to the draft hood as possible, while conforming to code requirements.

Under no circumstances should flue pipe with less than a 6 inch diameter be installed between the oven and the chimney termination.

If more than one appliance is connected to a single vent, the vent shall be sized in accordance with sound engineering principles.



## Top Trim Installation

The front of the top trim is formed as a channel. Open the upper oven door. Hold the top trim with the rear raised and slide its lower flange into position in the oven opening between the right and the left front columns. Lower the top trim into position over the oven top. The top trim does not require that it be bolted or fastened into position.

## Ovens with Optional Light Feature

Important: This appliance must be electrically grounded in accordance with local codes, or in the absence of local codes, the Canadian Electrical Code C22.1 or with the National electrical code ANSI/NFPA No. 70 (latest edition whichever is applicable).

Warning – Electric Grounding Instructions

This appliance is equipped with a three prong (grounding) plug for your protection against shock hazard and must be plugged into a properly grounded three prong receptacle. Do not cut or remove the grounding prong from this plug.

A wiring diagram is attached to the back of the unit.

## Gas Connection-Single & Multiple Ovens

### Single Oven

Install the pressure regulator (supplied) with the outlet (arrowhead) connected to the tail pipe. The  $\frac{3}{4}$ " N.P.T. inlet of the pressure regulator must be considered in piping the gas supply. Each group of ovens should be supplied (by others) with an in-line manual shut off valve.



# INSTALLATION Continued

Each stack of oven sections may be piped individually as described above. Each stack should be provided with its own manual gas shut off valve as described. If the ovens are to be piped using all of the materials provide, refer to diagram "A".

## Multiple Ovens

If the ovens are to be stacked, they may be piped as shown in the diagram "A". Again, as stated above, a readily accessible gas shut off valve of an approved type should be installed in the supply line.

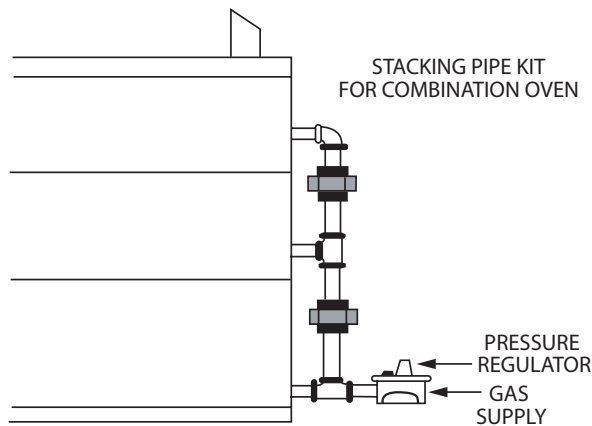


DIAGRAM "A"

## Installation Of Oven Heat Deflectors, Corderite/Steel Hearths & Inner Oven Linings

All models require that two part oven heat deflectors (heavy gauge diamond plate) and two heat deflector pans (in oven with corderite deck material) or one heat deflector pan (in oven with steel deck), be installed above the oven burners to give even heat throughout the oven. Install the heat deflector pan(s) in the centre of the oven deck frame. Install the heat deflectors on top of the heat deflector pans, with the rough side up.

Both deflectors should be brought together to make the centre seam as tight as possible.

The corderite hearth assembly consists of two sections installed within deck spacers, as shown in Diagram "B". Install the two (2) aluminized inner oven linings in the front and rear channels by first placing the rear of each in each rear channel. Then raise the front of each aluminized inner oven linings over and down into the front channels.

The steel hearth is designed as a one-piece welded assembly and will pass through the oven door opening. The rear of the steel hearth assembly rests on the heat deflectors inside the rear angle support. Centre the steel hearth assembly within the oven. Install the aluminized inner oven linings provided, as shown in Diagram "B".

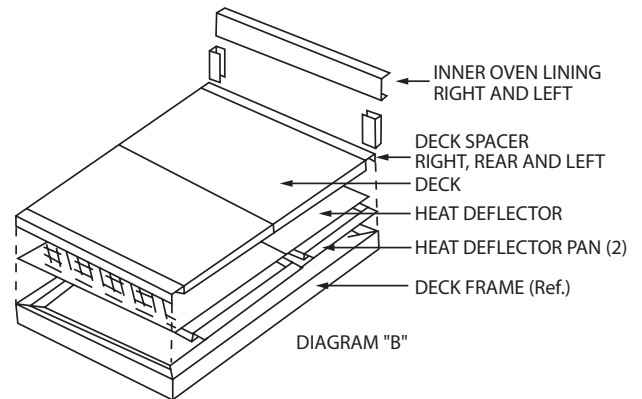


DIAGRAM "B"

**IMPORTANT:** All gas burners and pilots need sufficient air to operate and large objects should not be placed in front of this appliance which would obstruct the air flow through the front.

## Ventilation and Air Supply

Proper ventilation is highly important for good operation. The ideal method of venting a gas deck oven is through the use of a properly designed canopy which should extend 6" beyond all sides of the appliance and 6'6" from the floor.

A strong exhaust fan will create a vacuum in the room. For an exhaust system vent to work properly, replacement air must enter the room in which the vent is located. For proper air balance, contact your local H.V.A.C. contractor.

## Installation of a Direct Flue

When the installation of a canopy type exhaust hood is impossible, the oven may be direct vented. Before direct venting check your local codes on ventilation.

If the unit is to be connected directly to a direct flue, it is necessary that an 8" draft diverter be installed to insure proper ventilation. First remove the canopy diverter (shown in Diagram "A"), and replace with a Garland designed down draft diverter (P/N1056497 painted or 1056496 stainless steel). Connect directly to the Garland designed down draft diverter with your stove pipe.

# INSTALLATION Continued

NOTE: Each oven has been factory tested and adjusted prior to shipment. It may be necessary to further adjust the oven as part of a proper installation. Such adjustments are the responsibility of the installer.

Adjustments are not considered defects in material and workmanship, and they are not covered under the original equipment warranty.

**Do Not Undersize The Vent Pipe!** This can cause resistance to flow and impede good efficiency.

## OPERATION

Once the equipment has been installed and tested by qualified professional personnel, the oven is ready for operation. If the pilot is not lit, proceed as follows:

1. Check the oven gas valve. It should be in the "OFF" position. If not, turn this valve to the "OFF" position.
2. Remove the lower front panel by turning the special self-retaining fasteners.
3. Ignition of the pilot is made by passing a lighted taper through the access hole in the front air shield, or by removing this shield while pressing in and holding the red reset button of the oven safety valve. This button is reached through the access hole in the centre section of the side control panel. Release the red button after the pilot has been lit, approximately 45 seconds. If the pilot does not remain lit, repeat after waiting 5 minutes.
4. After the oven pilot is lit, replace the front air shield and lower front panel.

### Burn Off – Deck Curing

Many of the parts used in the oven have a thin protective oil covering. This oil should be burned off before the oven is used for production of food. The following burn off procedure will also service to "cure" the oven hearth. If the curing procedure is not followed, there is a potential for the deck material to crack.

Turn the oven thermostat dial back to the 300°F setting and run the oven at this temperature for at least an hour. Repeat at 400°F and 500°F. the total "curing" process is accomplished in a 3 hour period of time.

The oven may now be shut down by turning the gas control valve to the "OFF" position and turning the thermostat back to its lowest setting.

NOTE: You cannot turn the oven off just by turning the oven thermostat down. You must turn the gas valve to the "OFF" position.

It will not be necessary to extinguish the oven pilot unless the oven is to remain unused for a long period of time.

After the hearth is "cured", the oven is ready for operation.

1. If the oven pilot has been extinguished, go through steps 1 through 4, as previously listed.
2. All models that have the corderite hearths should be preheated for no less than one (1) hour. This will bring the oven interior to the desired temperature and will provide time for the hearth and the oven interior surfaces to absorb and store heat required for optimum oven performance. All models that have steel hearths will require approximately 25 minutes to preheat.
3. After preheating, the oven is ready for use.
4. Distribute the load evenly on the deck. Space pans equally from each other and the side of the oven.
5. Planning will avoid unbalanced baking as a result of adding product after loading goods have started to bake.
6. Do not open door unnecessarily. Repositioning of product is not required in most cases.

# OPERATION Continued

7. When using the G-2771 or the G-2772 General Purpose Oven for the same product, load the upper compartment first, then the lower compartment. It is normal for the upper compartment (in this specific model only) to be 30°F to 60°F lower in temperature than the lower chamber. When product is done in the lower compartment, remove same. Check upper compartment, allowing additional time if required.
8. Before loading, preheat oven at least 25°F higher than desired temperature for Strong bottoms and Light tops. When loading of oven is completed, turn control down to desired temperature. For products requiring Strong tops, turn oven temperature control up 25°F for the final 8 – 10 minutes of baking.

The following is intended only as guide. Temperature and time requirements will be affected by specific recipes, varying methods of food preparation, quality of ingredients and personal preferences, as well as numerous other factors. Your own techniques, coupled with the recommendations of this guide, will permit you to establish your own chart.

## User Guide – Timetable for Roasting

CUT	WEIGHT (LB.)	OVEN ° F	INTERNAL TEMP. °F	MIN./LB.
<b>Beef</b>				
Standing Rib	6-8	300°-235°	140° Rare	23-25
Standing Rib (7 Rib)	20-25	300°	160° Rare	27-30
			125° Rare	11
			140° Med	12
			150° Well	13
Round (Rump & Shank Off)	50	250°	140° Med	12
Rolled Rib	5-7	300°-350°	140° Rare	32
			160° Med	38
			170° Well	48
Rib Eye	4-6	350°	140° Rare	18-20
			160° Med	20-22
			170° Well	22-24
Tenderloin (1/2)	2-3	425°	140° Rare	45-60
Whole	4-6	425°	140° Rare	45-60
Rolled Rump (High Quality)	4-6	300°-325°	150°-170°	35-40
Sirloin Tip (High Quality)	3 1/2-4	300°-325°	150°-170°	35-40
<b>Veil</b>				
Leg	5-8	300°-325°	170°	23-35
Loin	4-6	300°-325°	170°	30-35
Rib (Rack)	3-5	300°-325°	170°	35-40
Rolled Shoulder	4-6	300°-325°	170°	40-45

Note: This list is intended only as a guide

Chart continued on next page

# OPERATION Continued

## User Guide – Timetable for Roasting continued

CUT	WEIGHT (LB.)	OVEN ° F	INTERNAL TEMP. °F	MIN./LB.
<b>Lamb</b>				
Leg	5-8	300°-325°	175°-180°	30-35
Shoulder	4-6	300°-325°	175°-180°	30-35
Rolled	3-5	300°-325°	175°-180°	40-45
Cushion	3-5	300°-325°	175°-180°	30-35
<b>Pork, (Fresh)</b>				
Loin Centre	3-5	325°-350°	170°	30-35
Half	3-5	325°-350°	170°	35-40
Blade/Sirlion	3-4	325°-350°	170°	40-45
Picnic Shoulder	5-8	325°-350°	185°	30-35
Rolled	3-5	325°-350°	185°	40-45
Cushion Style	3-5	325°-350°	185°	35-40
Boston Shoulder	4-6	325°-350°	185°	45-50
Leg (Fresh Ham)				
Whole - Bone In	10-14	325°-350°	185°	25-30
Whole - Boneless	7-8	325°-350°	185°	40-45
Half - Bone In	5-7	325°-350°	185°	40-45
<b>Pork, (Smoked)</b>				
Ham (Uncooked)				
Whole	10-14	300°-325°	160°	18-20
Half	5-7	300°-325°	160°	22-25
Shank/Butt	3-4	300°-325°	160°	35-40
Ham (Cooked)				
Whole	10-14	325°	130°	15
Half	5-7	325°	130°	18-24
Picnic Shoulder	3-5	300°-325°	170°	35
Shoulder Roll	2-3	300°-325°	170°	35-40
Canadian Style Bacon	2-4	300°-325°	160°	35-40
<b>Poultry (All Not Stuffed)</b>				
Chicken-Roasters	2 1/2-3	325°		36
Turkeys	14-16	300°		22
	25-30	350°		16
Ducks	4-5	325°		36

Note: This list is intended only as a guide

# OPERATION Continued

## User Guide – Timetable for Baking

PRODUCT	OVEN °F	TIME
<b>Breads</b>		
White Bread	375°-425°	30-40 Min.
Wheat Bread	375°-425°	30-40 Min.
Rye Bread	400°	40-60 Min.
Corn Bread (Individual)	375°-425°	25-30 Min.
<b>Cakes</b>		
White Sheet	375°	30-35 Min.
Yellow Sheet	375°	30-35 Min.
Angel Food	400°	20-30 Min.
Devil's Food	350°	20-30 Min.
<b>Cookies</b>		
Sugar	375°	15 Min.
Chocolate Chip	375°	15 Min.
Butter	400°	10-15 Min.
Macaroons	350°	20 Min.
<b>Pies</b>		
Apple	400°-425°	50-60 Min.
Cherry	400°-425°	50-60 Min.
Pumpkin	375°-425°	30-40 Min.
Custard	375°-425°	30-40 Min.
<b>Rolls</b>		
Clover Leaf	400°	15-20 Min.
Parkerhouse	400°-425°	15-20 Min.
Biscuits	425°	20 Min.
Danish Pastry	375°	20-30 Min.

Note: This list is intended only as a guide

# MAINTENANCE

We suggest maintenance and repairs to be performed by an GARLAND AUTHORIZED SERVICE AGENT. The listing provided with your oven is titled "Maintenance and Repair Centres".

## Stainless Steel

For routine cleaning, just wash with a hot water and detergent solution. Wash just a small area at a time or the water will evaporate leaving the chemicals behind causing streaking.

Rinse the washed area with a clean sponge dipped in a sanitizing solution. Wash just a small area at a time or the water will evaporate leaving the chemicals behind causing streaking.

Rinse the washed area with a clean sponge dipped in a sanitizing solution and wipe dry with a soft clean cloth before it can dry.

Use a paste (of water and a mild scouring powder) if you have to, but never rub against the grain. All stainless steel has been polished in one direction. Rub with the polish lines to preserve the original finish. Then thoroughly rinse as before.

To prevent fingerprints, there are several stainless steel polishes on the market that leave an oily or waxy film. Do not use on surfaces that will be in contact with food.

Stainless Steel may discolour if overheated. These stains can usually be removed by vigorous rubbing with a scouring powder paste.

Use only stainless steel, wood or plastic tools, if necessary, to scrape off heavy deposits of grease and oil. Do not use ordinary steel scrapers or knives as particles of the iron may become imbedded and rust. **STEEL WOOL SHOULD NEVER BE USED.**

## Oven Interior

Standard aluminized steel interior surfaces. The oven linings, back linings and top linings are formed with heavy gauge

steel with aluminum fused into its surface. This provides a reflectance of heat back to the food being prepared. The aluminum virtually eliminates the possibility of rust formation.

To clean the aluminized interior, use a concentrated detergent on a plastic pad to remove burned on soil. **DO NOT** use steel wool, oven cleaners or abrasive powders. These will remove the aluminum. Rinse with warm water on soft cloth. Be sure to remove all traces of detergent. Any discoloration which may remain after the soil build-up has been removed will not affect the performance of the oven.

## Cleaning of Oven Hearth

The oven hearth should be kept clean and free of carbon by using a long handled, stiff wire brush or scraper to loosen burned on carbon. Sweep the hearth clean with a soft brush. You may use a damp cloth to wipe the hearth, but **DO NOT FLOOD THE HEARTH WITH WATER OR USE A VERY WET CLOTH!** If excess water is used, the hearths may crack upon next use.



 **Garland**<sup>®</sup>



**Garland**<sup>®</sup>



Nous suggérons que la maintenance et les réparations soient effectuées par un AGENT DE SERVICES AGRÉÉ GARLAND. La liste fournie avec le four est intitulée «Centres d'entretien et de réparation».

## Acier inoxydable

Pour le nettoyage régulier, laver simplement avec de l'eau chaude et une solution de détergent. Laver une petite surface à la fois sinon l'eau s'évaporerait laissant derrière elle des produits chimiques faisant des traînées.

Rincer la zone lavée avec une éponge propre trempée dans une solution désinfectante. Laver une petite surface à la fois sinon l'eau s'évaporerait laissant derrière elle des produits chimiques faisant des traînées.

Rincer la zone lavée avec une éponge propre trempée dans une solution désinfectante et l'essuyer avec un chiffon propre et doux avant qu'elle ne sèche.

Utiliser une pâte (composée d'eau et d'une poudre à récupérer douce) si nécessaire, mais ne jamais frotter dans le sens contraire du grain. Tout acier inoxydable a été poli dans un sens. Frotter dans le sens de polissage pour conserver le fini d'origine. Rincer ensuite soigneusement.

Pour éviter les traces de doigts, il existe plusieurs produits à polir pour acier inoxydable sur le marché qui laissent un film huileux ou ciré. Ne pas utiliser ces produits sur les surfaces en contact avec les aliments.

L'acier inoxydable peut se décolorer s'il est surchauffé. Ces taches peuvent habituellement être éliminées en les frottant fortement avec une pâte à base de poudre à récupérer.

Utiliser uniquement des outils en acier inoxydable, en bois ou en plastique pour gratter les dépôts épais de graisse et d'huile. Ne pas utiliser de grattoirs ou couteaux en acier ordinaire, étant donné que des particules de fer risquent de s'incruster dans le métal et de rouiller. NE JAMAIS UTILISER DE LAINE D'ACIER.

## Intérieur du four

Surfaces intérieures en acier aluminisé standard Les garnissages du four, garnissages arrière et supérieurs sont en acier épais avec de l'aluminium fondu en surface. Cela permet de réfléchir la chaleur vers les aliments préparés. L'aluminium élimine pratiquement la possibilité de formation de rouille.

Pour nettoyer l'intérieur aluminisé, utiliser un détergent concentré sur un tampon en plastique pour éliminer la saleté brûlée. NE PAS utiliser de laine d'acier, de produits de nettoyage pour four ni de poudres abrasives. Ces produits retireront la couche d'aluminium. Rincer avec de l'eau tiède sur un chiffon doux. Bien éliminer toutes les traces de détergent. Toute décoloration pouvant rester une fois l'accumulation de saleté éliminée n'affectera pas le fonctionnement du four.

## Nettoyage de la sole du four

La sole du four doit être maintenue propre et sans accumulation de carbone au moyen d'une brosse dure ou d'un grattoir à long manche pour décoller le carbone brûlé. Balayer la sole avec une brosse souple. On peut utiliser un chiffon humide pour essuyer la sole, MAIS NE PAS VERSER D'EAU SUR LA SOLE NI UTILISER DE CHIFFON TRÈS MOUILLEUX. En cas d'excès d'eau, les soles peuvent se fissurer lors de l'utilisation suivante.

## Guide de l'utilisateur – Tableau des temps de cuisson.

PRODUIT	FOUR ° F	TEMPS
---------	----------	-------

### Pains

Pain blanc	375°-425°	30-40 Min.
Pain de farine de blé	375°-425°	30-40 Min.
Pain de seigle	400°	40-60 Min.
Pain de maïs (individuel)	375°-425°	25-30 Min.

### Gâteaux

Galette blanche	375°	30-35 Min.
Galette jaune	375°	30-35 Min.
Gâteau des anges	400°	20-30 Min.
Gâteau du diable	350°	20-30 Min.

### Biscuits

au sucre	375°	15 Min.
aux grains de chocolat	375°	15 Min.
au beurre	400°	10-15 Min.
Macarons	350°	20 Min.

### Tartes

aux pommes	400°-425°	50-60 Min.
aux cerises	400°-425°	50-60 Min.
à la citrouille	375°-425°	30-40 Min.
à la crème pâtissière	375°-425°	30-40 Min.

### Petits pains mollets

en tréfle	400°	15-20 Min.
fins américains	400°-425°	15-20 Min.
Biscuits	425°	20 Min.
Feuilleté danois	375°	20-30 Min.

Remarque : Cette liste est donnée à titre indicatif seulement.

## Guide de l'utilisateur – Tableau des temps de rôtissage, suite

DÉCOUPE	POIDS (LB)	FOUR ° F	TEMP. INTÉRIEURE ° F	MIN./LB
---------	------------	----------	----------------------	---------

### Porc, (Frais)

Milieu de longe	3-5	325°-350°	170°	30-35
Motif	3-5	325°-350°	170°	35-40
Palette/longe	3-4	325°-350°	170°	40-45
Épaulé picnic	5-8	325°-350°	185°	30-35
Roulée	3-5	325°-350°	185°	40-45
Farcié	3-5	325°-350°	185°	35-40
Soc	4-6	325°-350°	185°	45-50

### Cuisse (jambon frais)

Entière - avec os	10-14	325°-350°	185°	25-30
Entière - sans os	7-8	325°-350°	185°	40-45
Motif - avec os	5-7	325°-350°	185°	40-45

### Porc, (fumé)

Jambon (cru)	10-14	300°-325°	160°	18-20
Entier	10-14	300°-325°	160°	18-20
Motif	5-7	300°-325°	160°	22-25
Jarret/soc	3-4	300°-325°	160°	35-40

### Jambon (cuit)

Entier	10-14	325°	130°	15
Motif	5-7	325°	130°	18-24
Épaulé picnic	3-5	300°-325°	170°	35
Épaulé roulé	2-3	300°-325°	170°	35-40
Bacon de dos	2-4	300°-325°	160°	35-40

### Volaille (Non farcié)

Poulet - à rôtir	2 1/2-3	325°		36
Dinde	14-16	300°		22
	25-30	350°		16
Canard	4-5	325°		36

Remarque : Cette liste est donnée à titre indicatif seulement.

## Guide de l'utilisateur – Tableau des temps de rôtissage.

DÉCOUPE	POIDS (LB)	FOUR ° F	TEMP. INTÉRIEURE ° F	MIN./LB
---------	------------	----------	----------------------	---------

### Boeuf

Rosbif de côtes	6-8	300°-235°	140° Saignant	23-25
Rosbif de côtes (7 côtes)	20-25	300°	160° Saignant	27-30
			125° Saignant	11
			140° À point	12
			150° Bien cuit	13
Gîte à la noix (sans surlonge ni jarret)	50	250°	140° À point	12
Côtes Roulée	5-7	300°-350°	140° Saignant	32
			160° À point	38
			170° Bien cuit	48
Faux-filet	4-6	350°	140° Saignant	18-20
			160° À point	20-22
			170° Bien cuit	22-24
Filet (1/2)	2-3	425°	140° Saignant	45-60
Entier	4-6	425°	140° Saignant	45-60
Surlonge roulée (haute qualité)	4-6	300°-325°	150°-170°	35-40
Pointe de surlonge (haute qualité)	3 1/2-4	300°-325°	150°-170°	35-40

### Veau

Cuisseau	5-8	300°-325°	170°	23-35
Longe	4-6	300°-325°	170°	30-35
Côte (carré)	3-5	300°-325°	170°	35-40
Épaulé roulée	4-6	300°-325°	170°	40-45

### Agneau

Gigot	5-8	300°-325°	175°-180°	30-35
Épaulé	4-6	300°-325°	175°-180°	30-35
Roulée	3-5	300°-325°	175°-180°	40-45
Farcie	3-5	300°-325°	175°-180°	30-35

Remarque : Cette liste est donnée à titre indicatif seulement.

Suite du tableau page suivante

Une fois que l'équipement a été installé et testé par du personnel professionnel qualifié, le four est prêt à fonctionner. Si la veilleuse n'est pas allumée, procéder comme suit :

1. Vérifier le robinet de gaz du four. Il devrait être en position de fermeture. Dans le cas contraire, tourner le robinet en position de fermeture.
2. Déposer le panneau inférieur avant en tournant les fixations automatiques spéciales.
3. On allume la veilleuse en faisant passer une mèche par le trou d'accès dans l'écran avant ou en retirant cet écran tout en maintenant enfoncé le bouton de réarmement rouge du robinet de sécurité du four. On accède à ce bouton par le trou d'accès dans la partie centrale du tableau de commande latéral. Relâcher le bouton rouge une fois la veilleuse allumée (environ 45 secondes). Si la veilleuse ne reste pas allumée, recommencer après avoir attendu 5 minutes.
4. Une fois la veilleuse du four allumée, remettre en place l'écran avant et le panneau inférieur avant.

## Brûlage – Séchage de la sole.

Beaucoup de pièces utilisées dans le four sont recouvertes d'une fine couche d'huile protectrice. L'huile doit être brûlée avant d'utiliser l'équipement pour la préparation des aliments. La procédure de brûlage suivante servira aussi à «sécher» la sole du four. Si la procédure de séchage n'est pas respectée, le matériau de la sole risque de se fissurer.

Placer le cadran du thermostat du four sur le réglage 300°F et faire fonctionner le four à cette température pendant au moins une heure. Répéter l'opération à 400°F et 500°F. Le processus complet de «séchage» est terminé au bout d'une période de 3 heures.

Le four peut maintenant être éteint en tournant le robinet de commande du gaz en position de fermeture et en remettant le thermostat au réglage le plus bas.

**REMARQUE :** On ne peut pas arrêter le four en tournant simplement au minimum le thermostat du four. Il faut tourner le robinet de gaz en position de fermeture. Il n'est pas nécessaire d'éteindre la veilleuse du four sauf si le four doit rester inutilisé pendant une longue période de temps.

1. Si la veilleuse a été éteinte, suivre les étapes 1 à 4 ci-dessus.

2. Tous les modèles équipés de soles en cordière doivent être préchauffés pendant au moins une (1) heure. L'intérieur du four atteindra ainsi la température souhaitée et les surfaces intérieures de la sole et du four auront le temps d'absorber et de stocker la chaleur requise pour des performances optimales du four. Les modèles équipés de sole en acier ont besoin d'un préchauffage d'environ 25 minutes.
3. Après le préchauffage, le four est prêt à être utilisé.
4. Répartir également la charge sur la sole. Espacer également les plats entre eux et avec les côtés du four.
5. Une certaine planification évitera une cuisson déséquilibrée suite à l'ajout de nouveaux produits après le chargement de produits dont la cuisson a commencé.
6. Ne pas ouvrir inutilement la porte. Dans la plupart des cas, il n'est pas nécessaire de modifier la position des produits.
7. Lors de l'utilisation du four à usage général G-2771 ou G-2772 pour le même produit, charger d'abord le compartiment supérieur, puis le compartiment inférieur. Il est normal que la température du compartiment supérieur (sur ce modèle particulier seulement) soit inférieure de 30°F à 60°F à celle du compartiment inférieur. Une fois que le produit du compartiment inférieur est cuit, le retirer. Vérifier le compartiment supérieur, en laissant un peu de temps supplémentaire si nécessaire.
8. Avant le chargement, préchauffer le four à au moins 25°F de plus que la température souhaitée pour les fonds lourds et les garnitures légères. Une fois le chargement du four terminé, remettre la commande à la température souhaitée. Pour les produits ayant besoin de plus de cuisson sur le dessus, augmenter la température du four jusqu'à 25°F pendant les 8 à 10 dernières minutes de cuisson.

Les instructions suivantes sont données à titre indicatif seulement. Les exigences en matière de température et de temps sont affectées par les recettes, les diverses méthodes de préparation des aliments et les préférences personnelles, ainsi qu'un certain nombre d'autres facteurs. Vos propres techniques, associées aux recommandations de ce guide, vous permettront d'établir votre propre tableau.

**Installation des déflecteurs de chaleur du four, des soles en cordière/acier et des garnissages intérieurs du four**

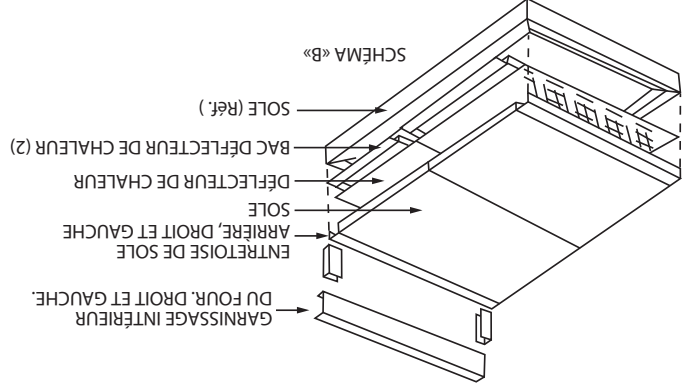
Sur tous les modèles, il est nécessaire d'installer deux déflecteurs de chaleur du four (plaque en losange épaisse) et deux bacs déflecteurs de chaleur (dans les fours avec matériau de sole en cordière) ou un bac déflecteur de chaleur (dans les fours à sole en acier au-dessus des brûleurs du four afin de répartir la chaleur dans tout le four. Installer le(s) bac(s) déflecteur(s) au centre de la sole du four. Installer les déflecteurs de chaleur au-dessus des bacs déflecteurs de chaleur, avec le côté irrégulier vers le haut.

Les deux déflecteurs doivent être poussés l'un contre l'autre pour que le joint central soit aussi étanche que possible.

La sole en cordière est constituée de deux sections installées entre les entretoises de sole, comme illustré sur le schéma «B». Installer les deux (2) garnissages intérieurs

aluminisés du four dans les profils en U avant et arrière en plaçant d'abord l'arrière de chaque garnissage dans chaque profilé arrière. Soulever ensuite l'avant de chaque garnissage intérieur aluminisé et les laisser descendre dans les profils avant.

La sole en acier est une pièce soudée en un seul morceau et passe par l'ouverture de porte du four. L'arrière de la sole en acier repose sur les déflecteurs de chaleur à l'intérieur du four. Installer les garnissages intérieurs de four aluminisés du four, comme illustré sur le schéma «B».



**IMPORTANT :** tous les brûleurs à gaz et les veilleuses ont besoin d'une quantité suffisante d'air pour bien fonctionner. Pour cette raison, ne pas placer devant cet appareil des objets de grande taille qui pourraient obstruer la circulation de l'air à l'avant.

**Ventilation et alimentation en air.**

Une ventilation correcte est extrêmement importante pour un bon fonctionnement. La méthode idéale de ventilation pour une salamandre est une hotte correctement conçue, se prolongeant de six pouces (152 mm) de tous les côtés de l'appareil et située à six pieds six pouces (1981 mm) du sol.

Une forte aspiration risque de créer une dépression dans la pièce. Pour qu'un système d'évacuation fonctionne correctement, de l'air de remplacement doit entrer dans la pièce d'où l'air est évacué. Pour obtenir cet équilibre, contacter le spécialiste local en chauffage et climatisation.

**INSTALLATION D'UN CONDUIT DE FUMÉE DIRECT**

Lorsqu'il est impossible d'installer une hotte aspirante, on peut ventiler le four directement. Avant de procéder à cette installation, consulter les codes locaux relatifs à la ventilation.

Si l'appareil doit être directement connecté à un conduit de cheminée, il est nécessaire d'y installer un déviateur de 8 po de tirage pour assurer une ventilation correcte. Déposer d'abord le déviateur de hotte (illustré sur le schéma «A»), et le remplacer par un déviateur de contre-tirage conçu par Garland (P/N1056497 peint ou 1056496 en acier inoxydable). Connecter directement le tuyau au déviateur de contre-tirage conçu par Garland.

**REMARQUE:** Chaque four a été testé et réglé en usine avant son expédition. Il peut être nécessaire de régler de nouveau le four dans le cadre de l'installation. De tels réglages sont de la responsabilité de l'installateur. Les réglages nécessaires ne sont pas considérés comme des défauts de matière ou de main-d'œuvre et ils ne sont pas couverts par la garantie d'origine de l'appareil. Ne pas utiliser de conduits de ventilation sous-dimensionnés; Cela peut limiter le débit d'air et empêcher une ventilation correcte.



Cet appareil est doté d'une fiche à trois broches (mise à la terre) pour votre protection contre les risques de choc électrique et doit être branché directement dans une prise à trois broches correctement reliée à la terre. Ne pas couper ni retirer la broche de mise à la terre de cette fiche.

Un schéma de câblage est fixé à la partie arrière principale de l'unité.

## Connexion du gaz - Fours simples et multiples

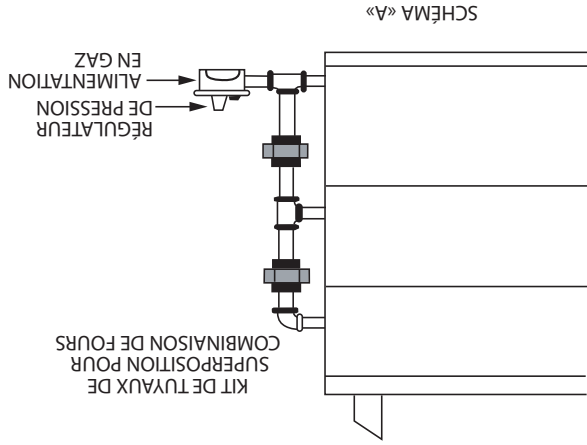
### Four simple

Installer le régulateur de pression (fourni) avec la sortie (tête de flèche) connectée au tuyau arrière. On doit tenir compte de l'entrée  $\frac{3}{4}$  po N.P.T. du régulateur de pression lors du raccordement au gaz. Chaque groupe de fours doit être équipé (par des tiers) d'un robinet d'arrêt manuel en ligne.

Chaque pile de sections de four peut être alimentée par un tuyau individuel comme décrit ci-dessus. Chaque pile doit être équipée de son propre robinet d'arrêt manuel du gaz comme décrit. Si les fours doivent être alimentés avec tout le matériel fourni, consulter le schéma «A».

### Fours multiples

Si les fours doivent être empilés, ils peuvent être alimentés comme illustré sur le schéma «A». Comme mentionné ci-dessus, un robinet d'arrêt du gaz facilement accessible doit être installé sur la conduite d'alimentation.



Le coupe-tirage doit être placé avec son ouverture inférieure verticale sur les brides verticales du conduit de fumée du four. Les brides du coupe-tirage doivent être sur les côtés et à l'avant. Fixer le coupe-tirage au four avec des vis Parker dans les trous de chaque bride latérale en bas du coupe-tirage.

La soupape barométrique doit être installée conformément aux instructions applicables jointes à l'unité. L'ouverture de décharge de la soupape barométrique doit être placée de façon à ne pas être obstruée par une partie quelconque du four ou des composants voisins.

La soupape barométrique doit être installée aussi près que possible du coupe-tirage, tout en respectant les exigences des codes.

En aucun cas, un conduit de fumée d'un diamètre inférieur à 6 pouces ne peut être installé entre le four et l'évacuation.

Si plusieurs appareils sont reliés un seul conduit d'évacuation, celui-ci doit être de dimensions suffisantes, conformément à des principes techniques sains.

## Installation de la garniture supérieure.

L'avant de la garniture supérieure est constitué d'un profilé en U. Ouvrir la porte du four supérieur. Maintenir la garniture supérieure avec l'arrière levé et faire glisser en place sa bride inférieure dans l'ouverture du four entre les colonnes avant droite et gauche. Abaisser en place la garniture supérieure sur le dessus du four. La garniture supérieure n'a pas besoin d'être boulonnée ni fixée en place.

## Fours avec fonction d'éclairage en option.

Important : Cet appareil doit être mis à la terre conformément aux codes locaux ou, en l'absence de code locaux, conformément au Code canadien de l'électricité C22.1 ou au National Electrical Code

ANSI/NFPA No. 70 (dernière édition), selon le code applicable.

Avertissements - Instructions de mise à la terre

**REMARQUE :** L'appareil et son robinet d'arrêt individuel doivent être débarrassés du système de conduite d'alimentation durant tout essai de pression de ce système lorsque les pressions d'essai excèdent 0,5 lb/po2 (3,45 KPa).

L'appareil doit être isolé du système d'alimentation en gaz en fermant son robinet d'arrêt manuel individuel durant tout essais de pression du système d'alimentation en gaz à des pressions égales ou supérieures à 0,5 lb/po2 (3,45 KPa).

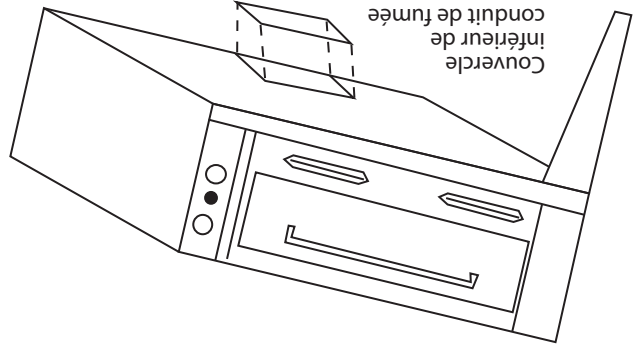
**REMARQUE :** Un dégagement suffisant doit être prévu pour l'entretien et l'utilisation.

## Pieds

Soulever l'avant du four. Positionner les pieds à l'intérieur des coins avant de la cornière du châssis. Visser chaque boulon dans les écrous soudés sur le châssis de base en cornière. On doit utiliser quatre (4) boulons et quatre (4) rondelles pour fixer en place chaque pied. Bien serrer les boulons de façon régulière. Soulever et immobiliser l'arrière du four et fixer les pieds arrière de la même façon.

## Montage du four à deux sections

Avant de soulever la section supérieure en place, vérifier le centre arrière de la partie inférieure de la section supérieure (conformément au dessin). L'ouverture rectangulaire du conduit de fumée devrait être ouverte. Si l'ouverture du conduit de fumée est bouchée, retirer le « couvercle inférieur de conduit de fumée » et le jeter.



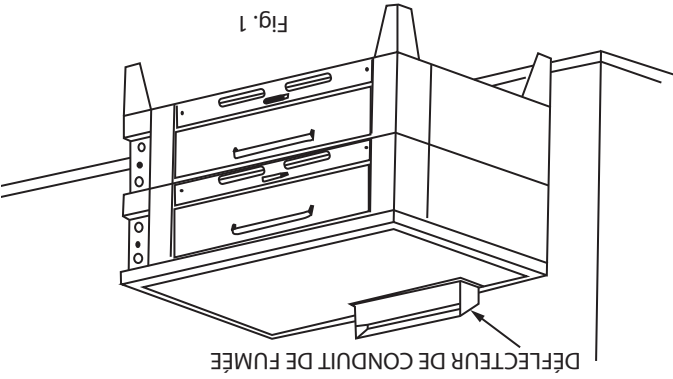
Vérifier que le couvercle de garniture supérieur (cadre carré en cornière d'acier inoxydable) n'est pas installé sur les fours inférieur et intermédiaire. Placer des 2 x 4 sur le dessus de la section de four inférieure - à environ 6 po de chaque côté, entre l'avant et l'arrière. Soulever la section supérieure et la placer sur les 2 x 4 de façon à ce que l'avant, l'arrière et les côtés de la section supérieure soient alignés avec la section inférieure. Le conduit de fumée intérieur supérieur s'adapte sur le conduit inférieur.

## Installation de la ventilation du four

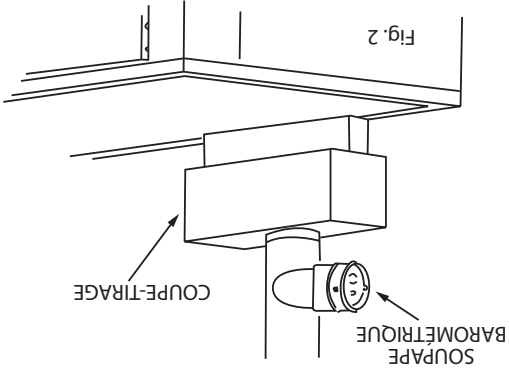
Le châssis inférieur de la section de four supérieure s'adapte sur l'unité inférieure. Il n'est pas nécessaire de boulonner les sections ensemble.

1. Le système le plus efficace pour ventiler ce four est une hotte correctement conçue. Cette hotte devrait se prolonger de 6 pouces à l'avant et sur les côtés, ainsi qu'à l'arrière à moins que le four soit contre un mur résistant au feu. La conception de la hotte doit être telle qu'elle ne doit pas aspirer la chaleur trop rapidement du four par le conduit de fumée.

Le déflecteur de conduit de fumée fourni (Fig. 1) doit être installé pour éviter que cela se produise. Mettre en place le déflecteur de conduit de fumée sur les brides du conduit de fumée interne. L'ouverture inclinée du déflecteur de conduit de fumée doit être à l'avant. Fixer les brides latérales du déflecteur de conduit de fumée avec les vis Parker fournies.



2. Si le four doit être relié à un conduit de fumée direct, ce conduit doit s'élever à 10 pieds au-dessus du toit du bâtiment dans lequel le four est installé ou 10 pieds au-dessus de n'importe quelle partie d'un bâtiment situé à une distance horizontale inférieure à 10 pieds. Le coupe-tirage fourni doit être installé. De plus, il est nécessaire d'installer le régulateur de tirage barométrique (disponible auprès de Garland). (Voir Fig. 2).



## Plaque signalétique

Pour correspondre avec l'usine ou votre agence de service agréée locale concernant des problèmes de service ou des pièces de rechange, bien faire référence à l'appareil avec le numéro de modèle correct (comprenant les lettres et chiffres du préfixe et du suffixe), et le numéro de série ou de code. La plaque signalétique fixée à l'appareil contient ces renseignements.

Nous suggérons de faire faire l'installation, l'entretien et les réparations par une agence de service agréée locale figurant dans la manuel d'informations.

En cas de questions concernant l'installation, l'utilisation, l'entretien ou la réparation du produit, écrire ou communiquer avec le département de service des produits.

Ce produit doit être installé par du personnel professionnel tel que spécifié. Les produits Garland/U.S. Range ne sont pas agréés ni autorisés pour une utilisation personnelle ou résidentielle, mais sont uniquement destinés à des applications commerciales. Garland/U.S. Range n'offre pas de services de réparation, garantie, entretien ou soutien de n'importe quelle sorte pour des applications autres que commerciales.

## Instructions avant installation

On n'insistera jamais assez sur l'importance d'une installation correcte d'un équipement commercial de cuisson au gaz. Le fonctionnement correct de l'équipement dépend, en grande partie, de la conformité de l'installation aux spécifications du fabricant. L'installation et les connexions doivent être conformes aux codes locaux ou, en l'absence de codes locaux, au Code d'installation CAN/CGA-B149 ou au national Fuel Gas Code, ANSI Z223.1/NFPA n° 54 – dernière édition.

Tous les réglages des brûleurs doivent être faits par un technicien qualifié spécialiste des appareils à gaz.

A. Le type de gaz pour lequel l'appareil est équipé est estampillé sur la plaque signalétique située sur le panneau inférieur de porte. Brancher un appareil estampillé « NAT » au gaz naturel et un appareil estampillé « PRO » au gaz propane.

B. S'il s'agit d'une installation neuve, faire vérifier par le fournisseur de gaz le diamètre du compteur et les conduites afin de s'assurer que l'appareil reçoit une pression de gaz suffisante pour fonctionner correctement.

## Emplacement du four

Les appareils seront installés dans un endroit où les installations de ventilation assurent une combustion satisfaisante du gaz et une aération correcte. Les appareils seront placés de façon à ne pas empêcher une bonne circulation de l'air dans un endroit confiné. Quand les bâtiments sont étanches au point que l'infiltration normale n'assure pas la ventilation nécessaire, on introduira de l'air extérieur.

## Dégagements

REMARQUE : l'unité doit être installée avec un dégagement d'au moins 6 pouces (152 mm) de tout élément combustible des deux côtés et à l'arrière. Le dégagement par rapport à des éléments combustibles est de 0 po, des deux côtés et à l'arrière. L'unité peut être installée sur un plancher combustible.

C. S'il s'agit d'un équipement supplémentaire ou de remplacement, demander au fournisseur de gaz de vérifier la pression afin de s'assurer que le compteur et les conduites existants alimenteront l'appareil sans chute de pression supérieure à 1/2 po de colonne d'eau.

D. Se procurer un régulateur de pression pré réglé pour débiter le gaz à la pression indiquée sur la plaque signalétique. L'appareil est expédié avec un régulateur de pression.

**REMARQUE :** Pour vérifier la pression du gaz, s'assurer que tous les autres équipements branchés sur la même conduite de gaz sont allumés. Un régulateur de pression est fourni avec l'équipement GARLAND. Régler le régulateur pour débiter le gaz à la pression indiquée sur la plaque signalétique. L'installation doit être conforme au National Fuel Gas Code ANSI Z223.1 – dernière édition/NFPA No. 54 - Dernière édition et/ou au code local pour assurer un fonctionnement sécurisé et efficace.

**REMARQUE :** Au Canada, l'installation doit être conforme au CODE D'INSTALLATION DU GAZ NATUREL CAN/CGA-B149.1 ET DU GAZ PROPANE CAN/CGA-B149.2 et aux codes locaux le cas échéant.

## Généralités

Construction :

Les fours sont de type à sections, chaque section fonctionnant indépendamment des autres. Type à sections, chaque section fonctionnant indépendamment des autres. Le principe des sections facilite l'ajout de sections supplémentaires si nécessaire. La construction modulaire robuste limite l'utilisation de vis et de boulons difficiles à nettoyer à l'extérieur du four. Le nettoyage est plus facile et plus complet. Les sections sont supportées par des pieds en acier épais, qui sont facilement changés quand des sections sont ajoutées. Les pieds des fours sont des équipements standard.

Section à pâtisserie :

Les dimensions intérieures des sections à pâtisserie sont de 42 x 32 x 7 po pour chaque section. La sole en cordière de ¾ po est livrée en équipement standard. On peut également livrer le four avec une sole en acier d'épaisseur 1 2 si cela est précisé au moment de la commande.

Section à usage général :

Deux compartiments de 42 x 32 x 7 po pour chaque section. Chacun a sa sole et sa porte. La sole standard est en cordière de ¾ po d'épaisseur. On peut également livrer le four avec une sole en acier d'épaisseur 1 2 si cela est précisé au moment de la commande.

## INTRODUCTION

### Fours polyvalents Garland.

La gamme fiable de fours polyvalents à rôtir et à pâtisserie robustes Garland est conçue pour les cuisines où l'on prépare en grande quantité des aliments de qualité. Ces fours conviennent parfaitement aux hôtels, hôpitaux, écoles, grandes cafétérias, services de restauration et autres installations à grande production.

Les sections de base des fours polyvalents sont conçues pour être empilées afin d'offrir un choix infini de combinaisons pour le rôtissage et la cuisson des pâtisseries. Les sections de

Sections de rôtissage :

Les dimensions intérieures des sections de rôtissage de 12 po sont de 42 x 32 x 12 po. Les dimensions intérieures des sections de rôtissage de 16 po sont de 42 x 32 x 16 po. Une sole en acier d'épaisseur 1 2 est standard pour les sections de 12 po et 16 po. Une sole en cordière est disponible en option.

Brûleurs :

Chaque four est chauffé par deux brûleurs en forme de «U» à orifices lancéolés dirigés directement sur une plaque en acier épais entre les brûleurs et la sole. Dans chaque section du four, une thermostat robuste à étrangement/rupture brusque du gaz commande les brûleurs afin d'offrir une plage de températures comprise entre 150° et 500° Fahrenheit assurant un maintien au chaud à basse température. Chaque section est également équipée d'un robinet de gaz marche/arrêt indépendant et d'un système de ventilation parfaitement sécuritaire.

Ventilation :

Un déflecteur de conduit de fumée est prévu pour répondre aux exigences du système de ventilation. Les conduits de fumée internes se connectent pour pouvoir empiler les fours. Porte du four :

La porte du four est conçue avec un équilibre précis et une durabilité exceptionnelle. La porte s'ouvre sur toute la largeur du four et au niveau exact de la sole pour un chargement sans aucun obstacle. La porte peut supporter une charge de plus de 250 livres.

four sont dotées de commandes indépendantes ce qui offre l'avantage de pouvoir faire cuire simultanément toute une gamme de produits à des températures différentes.

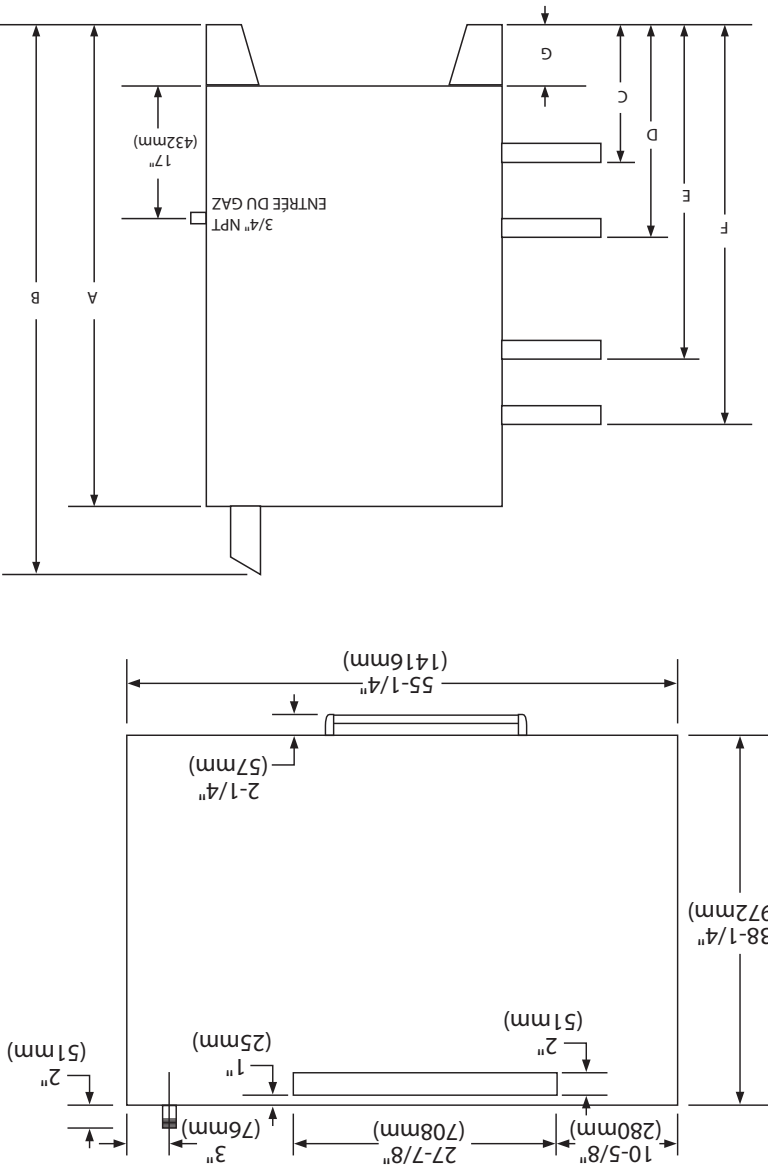
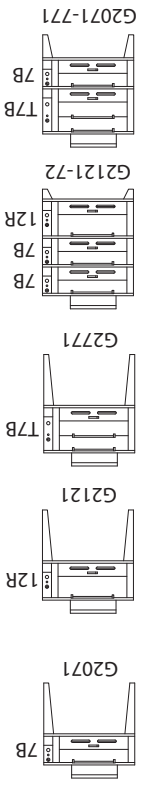
La nouvelle gamme de fours polyvalents GARLAND a été conçue pour assurer des années de fonctionnement sans problème. L'excellente technique offre aux clients une construction de qualité et des produits qui fonctionnent parfaitement. Cet ajout à la famille de produits de cuisson professionnels témoigne des efforts de nos employés, qui sont fiers de leur travail et qui, par conséquent, fabriquent de meilleurs produits correspondant à cet esprit.

MODÈLE	A	B	C	D	E	F	G	Total BTU
G2071	50 Po (1270mm)	58 Po (1473mm)	40½ Po (1664mm)					40 000
G2072	58½ Po (1770mm)	66½ Po (1689mm)	31½ Po (800mm)					80 000
G2073	60 Po (1524mm)	68 Po (1727mm)	15½ Po (394mm)					120 000
G2121	55 Po (1397mm)	63 Po (1600mm)	40½ Po (1664mm)					40 000
G2122	60½ Po (1537mm)	68½ Po (1740mm)	23½ Po (597mm)					80 000
G2123	75 Po (1905mm)	83 Po (2018mm)	15½ Po (394mm)					120 000
G2771	60 Po (1524mm)	68 Po (1727mm)	40½ Po (1664mm)					50 000
G2772	62½ Po (1587mm)	70½ Po (1791mm)	15½ Po (394mm)					100 000
G2121-71	63½ Po (1613mm)	71½ Po (1816mm)	31½ Po (800mm)					80 000
G2121-72	65 Po (1651mm)	73 Po (1854mm)	15½ Po (394mm)					120 000
G2121-771	57½ Po (1460mm)	65½ Po (1664mm)	15½ Po (394mm)					90 000
G2122-71	70 Po (1778mm)	78 Po (1981mm)	15½ Po (394mm)					120 000
G2071-771	60½ Po (1537mm)	68½ Po (1664mm)	23½ Po (597mm)					90 000

Dégagements Par Rapport Aux Murs Incombustibles	Côtés	1 Po (25mm)
	Arrière	6 Po (152mm)

Tous Les Modèles	Gaz Naturel	Gaz Propane
Pression De Fonctionnement Du Collecteur	5,5 Po CE (13,7 Mbar)	10,0 Po CE (24,9 Mbar)
Pression Minimum D'alimentation	7,0 Po CE (17,4 Mbar)	11,0 Po CE (27,4 Mbar)

7B = 7" Bake  
 12R = 12" Roast  
 7B = Twin 7" Bake



**DIMENSIONS ET SPÉCIFICATIONS, SÉRIE G2000**

# TABLE DES MATIÈRES

2	Important Information .....
2	Dimensions And Specifications, G2000 Series .....
4	OVEN SPECIFICATIONS .....
5	General.....
5	INTRODUCTION.....
5	Garland Variety Ovens .....
6	INSTALLATION.....
6	Pre-Installation Instructions .....
6	Rating Plate.....
6	Location of the Oven.....
6	Clearances.....
7	Legs.....
7	Assembly of Two-Section Oven.....
7	Installation of Oven Vent .....
8	Top Trim Installation .....
8	Ovens with Optional Light Feature.....
8	Gas Connection-Single & Multiple Ovens.....
8	Installation Of Oven Heat Deflectors, Corderite/Steel Hearths & Inner Oven Linings.....
9	Ventilation and Air Supply.....
9	Installation of a Direct Flue .....
10	Operation .....
10	Burn Off – Deck Curing.....
11	User Guide – Timetable for Roasting.....
13	User Guide – Timetable for Baking.....
14	Maintenance .....
14	Stainless Steel .....
14	Oven Interior .....
14	Cleaning of Oven Hearth .....

**Maintenir les abords de l'appareil dégagés et ne pas y stocker de produits combustibles.**

*Avis écrit*

TOUS DROITS RÉSERVÉS 2012. Le texte ainsi que les images contenues dans ce manuel ne doivent pas être modifiés, de façon quelconque et par quelque moyen que ce soit, sans préalablement avoir obtenu une permission écrite provenant de Garland Commercial Ranges Ltd.

**AVERTISSEMENT :**  
Ce produit contient des éléments chimiques reconnus par l'État de la Californie comme étant cancérogène et/ou peut causer des déficiences congénitales ainsi que plusieurs autres problèmes de reproduction. L'installation ainsi que l'entretien de ce produit peuvent vous exposer à des particules aériennes de laine de verre/fibres de céramique. L'inhalation de particules aériennes de laine de verre/fibres de céramique est reconnue par l'État de la Californie comme étant cancérogène.





# MANUEL D'INSTALLATION, D'UTILISATION ET D'ENTRETIEN

## G2000 SERIES GAS BAKE AND ROAST DECK OVENS



<p><b>POUR VOTRE SÉCURITÉ :</b> NE PAS STOCKER NI UTILISER D'ESSENCE OU D'AUTRES VAPEURS OU LIQUIDES INFLAMMABLES À PROXIMITÉ DE CET APPAREIL OU DE TOUT AUTRE APPAREIL.</p>	<p><b>AVERTISSEMENT :</b> UNE INSTALLATION, DES RÉGLAGES, DES MODIFICATIONS, DES RÉPARATIONS OU UN ENTRETIEN MAL FAITS PEUVENT CAUSER DES DOMMAGES MATÉRIELS, DES BLESSURES OU LA MORT. LIRE SOIGNEUSEMENT LES INSTRUCTIONS D'INSTALLATION, D'UTILISATION ET D'ENTRETIEN AVANT D'INSTALLER OU DE RÉPARER L'ÉQUIPEMENT.</p>
--	--

LIRE TOUTES LES SECTIONS DU PRÉSENT MANUEL ET LE CONSERVER POUR S'Y REPORTER ULTÉRIEUREMENT.

CE PRODUIT A ÉTÉ HOMOLOGUÉ EN TANT QU'ÉQUIPEMENT PROFESSIONNEL DE CUISSON ET DOIT ÊTRE INSTALLÉ PAR DU PERSONNEL PROFESSIONNEL TEL QUE SPÉCIFIÉ.

DANS L'ÉTAT DU MASSACHUSETTS, CE PRODUIT DOIT ÊTRE INSTALLÉ PAR UN PLOMBIER OU UN MONTEUR D'INSTALLATION AU GAZ NUMÉRO

D'AUTORISATION : G-1-07-05-28

Pour Votre Sécurité :  
Placer dans un endroit bien en vue les instructions à suivre en cas d'odeur de gaz détectée par l'utilisateur. Cette information peut être obtenue auprès du fournisseur de gaz local.

L'attention des utilisateurs est attirée sur le fait que l'entretien et les réparations doivent être effectués par un agent d'entretien autorisé par Garland utilisant des pièces de rechange d'origine Garland. Garland n'aura aucune obligation en ce qui concerne n'importe quel produit mal installé, réglé, utilisé ou qui n'aurait pas été entretenu conformément aux codes nationaux et locaux ou aux instructions d'installation fournies avec le produit ou n'importe quel produit dont le numéro de série aurait été mutilé, oblitéré ou supprimé ou qui aurait été modifié ou réparé avec des pièces non autorisées ou par des agents d'entretien non autorisés. Pour obtenir la liste des agents de service autorisés, consulter le site web de Garland à : <http://www.garland-group.com>. Les renseignements contenus dans le présent document (y compris la conception et les spécifications des pièces) peuvent être remplacés ou modifiés sans préavis. to change without notice.

Fabrique par :  
1333 East 179<sup>th</sup> Street  
Cleveland, Ohio 44110  
E-U

Garland Commercial Ranges, LTÉE.  
1177 route Kamato  
Mississauga, Ontario L4W 1X4  
CANADA

Demandes de renseignements généraux 1-905-624-0260  
Ventes aux États-Unis, pièces et service 1-800-424-2411  
Ventes au Canada 1-888-442-7526  
Pièces/service au Canada et aux États-Unis 1-800-427-6668