



# Wendy's Hot Top/Griddle Combo Range

Item: \_\_\_\_\_  
 Quantity: \_\_\_\_\_  
 Project: \_\_\_\_\_  
 Approval: \_\_\_\_\_  
 Date: \_\_\_\_\_

Wendy's Hot Top/Griddle Combo Range

Models:

STW286A



### Specifications:

- Stainless steel front, two sides, backguard, and front hand rail
  - Total flame failure protection on all burners
  - 5" (127mm), swivel casters with polyurethane, non-marking wheels and brakes on front
  - 24" (610mm), coiled electric cord on 120 volt models only, (all other models directly connected to terminal block)
  - 3/4" (19mm) x 36" (915mm), Hose Master SLQSP flex gas hose with swivels, quick disconnect, and strain relief kit
- Combination Hot Top/Griddle:**
- 12" (305mm) wide x 28" (711mm), deep x 1/2"

- (13mm) thick, 25,000BTU/Hr, High-Low valve-operated hot top on left side with electric pilot ignition
- 24" (610mm) wide x 28" (711mm), deep x 5/8" (16mm) thick, 50,000BTU/Hr, electro-mechanical thermostat-controlled griddle on right side with electronic ignition

### Convection Oven:

- 30,000BTU/Hr, steel tube burner with electronic ignition and electro-mechanical thermostat control
- Porcelain enamel oven interior, 26-1/4" (667mm) wide x 22" (559mm) deep x 13-1/2" (343mm) high
- 3 chrome-plated removable oven racks

Wendy's Item #:

K04-01	120 Volt	60Hz	Natural Gas
K04-02	120 Volt	60Hz	Propane
K04-03	230 Volt	50/60Hz	Natural Gas
K04-04	230 Volt	50/60Hz	Propane



NOTE: Ranges supplied with casters must be installed with an approved restraining device.

Garland Commercial Ranges Ltd.  
 1177 Kamato Road,  
 Mississauga, Ontario  
 L4W 1X4 CANADA

General Inquiries 1-905-624-0260  
 USA Sales, Parts and Service 1-800-424-2411  
 Canadian Sales 1-888-442-7526  
 Canada or USA Parts/Service 1-800-427-6668

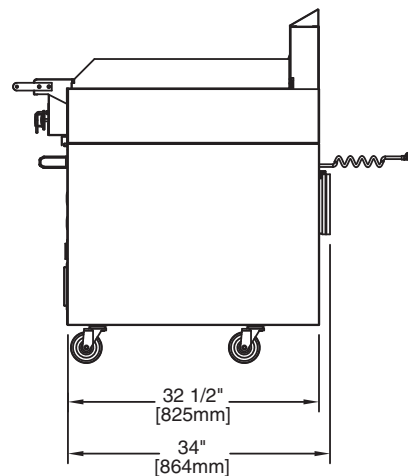
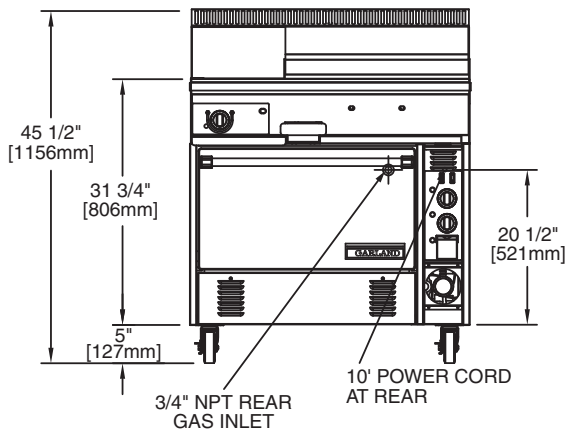
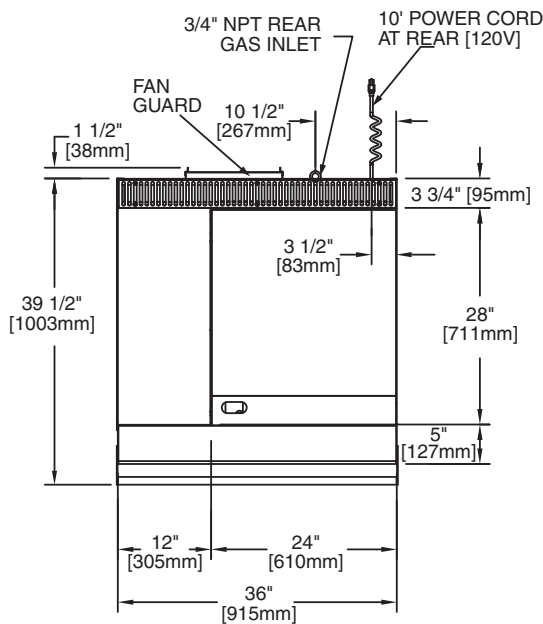


Input Ratings						Operating Pressure				Total Maximum Electrical Load	
Hot Top		Griddle		Oven		Natural		Propane		120V	230V
BTU	kW	BTU	kW	BTU	kW	"WC	mbar	"WC	mbar		
25,000	7.32	50,000	14.65	30,000	8.79	4.5	11	10	25	4.5 Amps	2.3 Amps

Oven Interior Dimensions			Entry Clearance		Installation Clearances*		Shipping Weight
Height	Width	Depth	Crated	Uncrated	Sides	Rear	
13-12" (343mm)	26-1/4" (667mm)	22" (559mm)	43" (1105mm)	37-7/8" (648mm)	7" (178mm)	6" (152mm)	584lbs. (265kg)

\*Distance from combustible construction

**NOTE:** Installation clearance reductions are applicable only where local codes permit. Garland/U.S. Range products are not approved or authorized for home or residential use, but are intended for commercial applications only. Garland / U.S. Range will not provide service, warranty, maintenance or support of any kind other than in commercial applications.



Form# STW286A (02/08/12)