



# Gas Stock Pot Range

Item: \_\_\_\_\_

Quantity: \_\_\_\_\_

Project: \_\_\_\_\_

Approval: \_\_\_\_\_

Date: \_\_\_\_\_

# Gas Stock Pot Range

Models:

G20-SP

G20-SPH



*Model G20-SP  
(stock pot not included)*

### Standard Features:

- Heavy Duty modular construction
- Stainless Steel finish, legs, front and two sides.
- Adjustable 1-3/8" (35mm) high zinc plated leveling feet
- Removable valve control panel
- Removable drip tray
- One piece cast iron top grate with raised full ribs for stable pots
- Four Spectro-Heat Burners
- Infinite setting valve

between Low 12,000 BTU), Medium (35,500 BTU) and High (60,000 BTU) positions for instant heat adjustment

- Pressure regulator - not supplied for use with manufacture gas
- 100% positive "H" safety pilot, to shut off gas if pilot flame goes out, Model G20-SPH

### Specifications:

Gas stock pot range, with heavy duty modular construction, removable easy clean drip tray and one piece cast iron top grate with full width ribs. 20" (508mm) wide x 20" (508mm) deep x 24" (610mm) high, stainless steel legs, front and two sides, stainless steel removable valve control panel and 1-3/8" (35mm) high zinc plated leveling feet. Four spectro-heat burners and infinite valve settings allow for versatility of heat, 60,000 BTU maximum output. Constant shielding pilot for automatic lighting, 100% positive type "H" safety pilot available to shut off gas if pilot goes out, Model G20-SPH.



Garland Commercial Ranges Ltd.  
1177 Kamato Road,  
Mississauga, Ontario  
L4W 1X4 CANADA

General Inquiries 1-905-624-0260  
USA Sales, Parts and Service 1-800-424-2411  
Canadian Sales 1-888-442-7526  
Canada or USA Parts/Service 1-800-427-6668



Model	Dimensions			Input Natural & Propane Gas BTU	Cu Ft	Shipping Weight Lb/Kg
	Width	Depth	Height			
G20-SP	20" (508mm)	20" (508mm)	24" (610mm)	60,000	11	110/50
G20-SPH	20" (508mm)	20" (508mm)	24" (610mm)	60,000	11	110/50

Model	Supply Operating Pressure		Manifold Operating Pressure		Gas Inlet NPT
	Natural	Propane	Natural	Propane	
G20-SP	7" WC (17.5 mbar)	11" WC (27.5 mbar)	4" WC (10 mbar)	10" WC (24 mbar)	3/4"
G20-SPH	7" WC (17.5 mbar)	11" WC (27.5 mbar)	4" WC (10 mbar)	10" WC (24 mbar)	3/4"

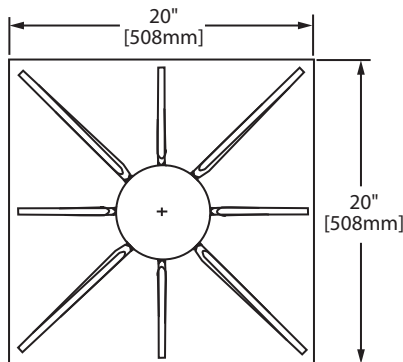
For other gases specify type, caloric value, specific gravity and pressure at appliance.

Pressure regulator not supplied for use with manufactured gas.

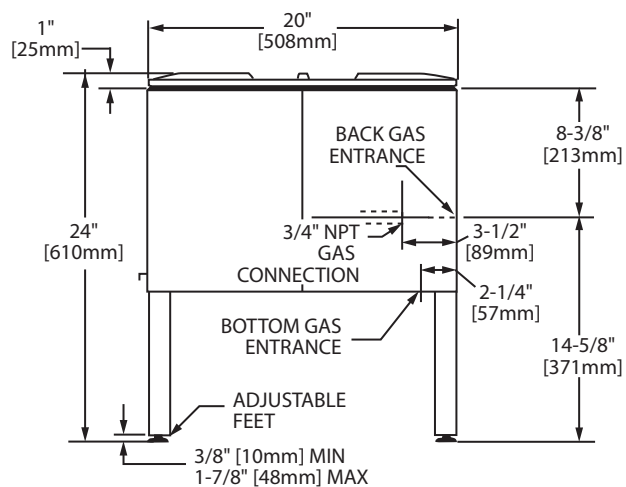
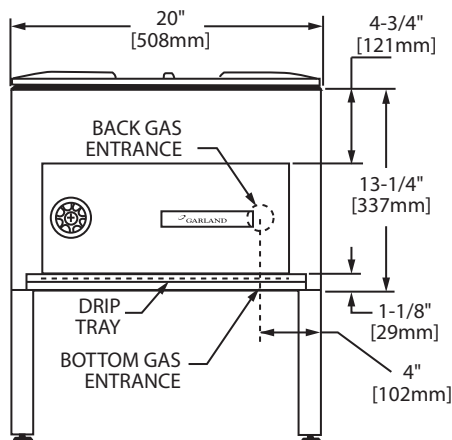
Gas input ratings are show for natural gas installations up to 2000 Feet (610m) above sea level. BTU input ratings must be derated for high altitude installations. Specify altitude of project if over 2000 feet (610m).

A Satisfactory power ventilator properly adapted for the range may be used.

NOTE: Many local codes exist, and it is the responsibility of the Owner and the Installer to comply with those codes.



Combustible Wall Clearances	
Sides	Back
6" (152mm)	6" (152mm)



Garland products are not approved or authorized for home or residential use, but are intended for commercial applications only. Garland will not provide service, warranty, maintenance or support of any kind other than in commercial applications.

Form# G20-SP (03/20/12)