



GF Sentry Flame Failure Series Range Match Broiler

Item: _____
 Quantity: _____
 Project: _____
 Approval: _____
 Date: _____

GF Sentry Flame Failure Series Range Match Broiler

Models:

- GF18-BRL GF24-BRL GF30-BRL GF36-BRL



Model GF24-BRL

Standard Features:

- Stainless steel front, sides, front rail, hopper & side splash guards.
- Stainless steel low profile back-guard
- Counter mount or range matched to Garland GF series ranges (when combined with optional stand or cabinet base)
- Exclusive lift off hopper top
- Removable broiling grates 23" (584mm) deep in 6" (152mm) wide sections.
- Dual-sided cast iron broiler racks, 1/2" (13mm) rounded bar (broad) or diamond patterns (fine) on opposite sides in 6" (152mm) wide sections.
- Heavy duty ceramic briquettes
- 4" (102mm) sanitary legs for counter mount installations

- Flame failure protection Hi-Lo valves • Piezo Spark Pilot Ignition
- 3/4" N.P.T. rear gas connection
- Gas pressure regulator supplied with North American units.
- 15,000 BTU cast iron burners for every 6" (152mm) of broiler space.

Optional Features:

- Diamond branding rack in lieu of standard rack
- Stainless steel splatter guard 18" (457mm) to 48" (1219mm), specify width
- Nickel plated wire type holding shelves which attach to spatterguards, available in 18" (457mm), 24" (610 mm) & 36" (914mm)

Note: Stands and floor bases available see form BRL-STD

Specifications:

Range match Broilers available in four widths: 18" (457mm), 24" (610mm), 30" (762mm), and 36" (914mm). Designed to match GF sentry series ranges. Standard finish stainless steel front, sides, and backguard. Exclusive lift off stainless steel grease hopper. Dual sided cast iron broiler racks, 1/2" (13mm) rounded bar (broad) or diamond patterns (fine) on opposite sides in 6" (152mm) wide sections. In lieu of standard broiler racks dual diamond pattern racks are available. Simple set Hi-Lo valves are located away from heat and protected. 15,000 BTU cast iron burners for every 6"(152mm) of broiling width, natural or propane gas. Flame protection system with Piezo ignition. Optional cabinet BRL-CAB or open frame stand BRL-STD, see specification form BRL-STD.



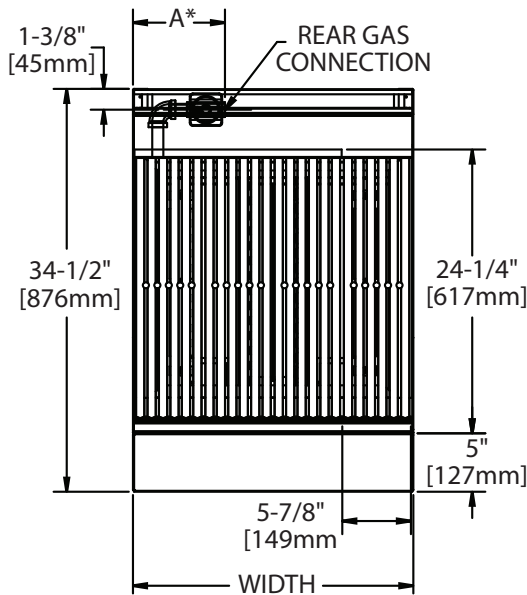
Garland Commercial Ranges Ltd.
 1177 Kamato Road,
 Mississauga, Ontario
 L4W 1X4 CANADA

General Inquires 1-905-624-0260
 USA Sales, Parts and Service 1-800-424-2411
 Canadian Sales 1-888-442-7526
 Canada or USA Parts/Service 1-800-427-6668



Model	Exterior Dimensions			Shipping		Total Input Rating (Natural Gas)	
	Height w/O Legs	Width	Depth	Cu Ft	lbs/Kg	BTU	kW
GF18-BRL	25-1/8" (638mm)	18" (457mm)	34-1/2" (876mm)	21	190/86	45,000	13.2
GF24-BRL	25-1/8" (638mm)	24" (610mm)	34-1/2" (876mm)	21	240/109	60,000	17.6
GF30-BRL	25-1/8" (638mm)	30" (762mm)	34-1/2" (876mm)	29.5	290/131	75,000	22
GF36-BRL	25-1/8" (638mm)	36" (914mm)	34-1/2" (876mm)	29.5	340/154	90,000	26.4

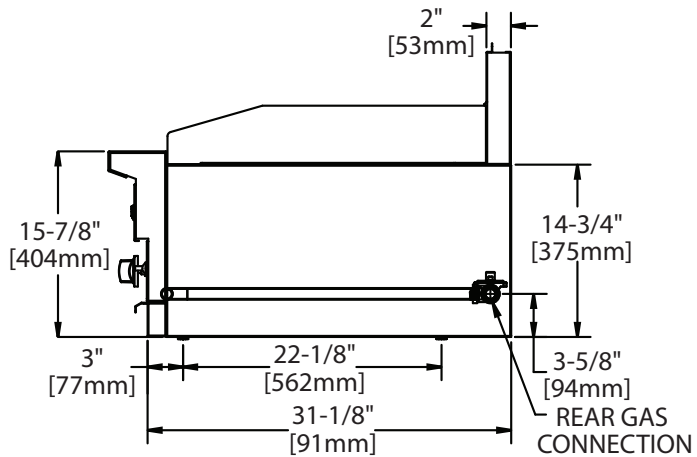
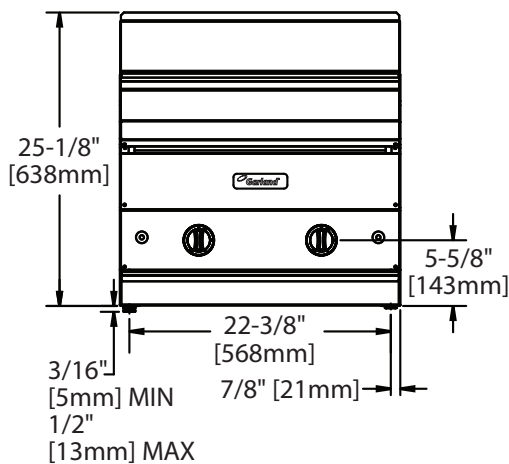
Gas Inlet	Installation Clearances Non-Combustible Surfaces Only				Manifold Operating Pressure	
	Sides		Rear		Natural	Propane
3/4" NPT	Sides	6"(152mm)	Back	6"(152mm)	4.5"WC (10mbar)	10"WC (25mbar)



Gas input ratings shown here are for installations up to 2,000 ft. (610m) above seal level. Specify altitudes over 2,000 ft.

Garland/U.S. Range products are not approved or authorized for home or residential use, but are intended for commercial applications only. Garland / U.S. Range will not provide service, warranty, maintenance or support of any kind other than in commercial applications

Please specify gas type when ordering.



Form# GF-BRL (07/29/11)