



GARLAND
WENDY'S COMBO RANGE
STW286, STW28 SERIES

PARTS LIST

Toll Free Phone, (US & Canada): (800) 427-6668

Toll Free Fax, (US & Canada): (800) 361-7745

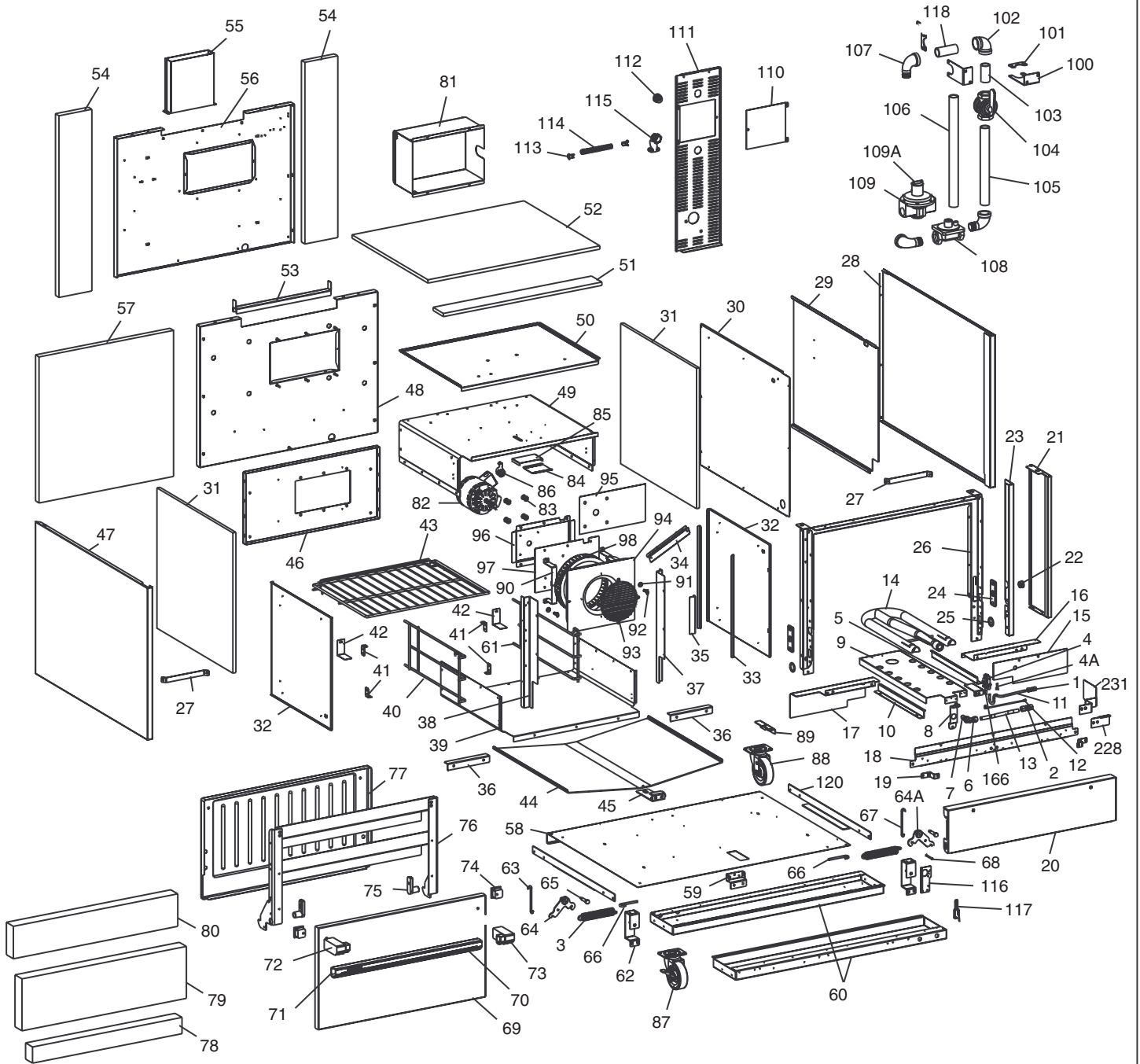
<http://www.garland-group.com>

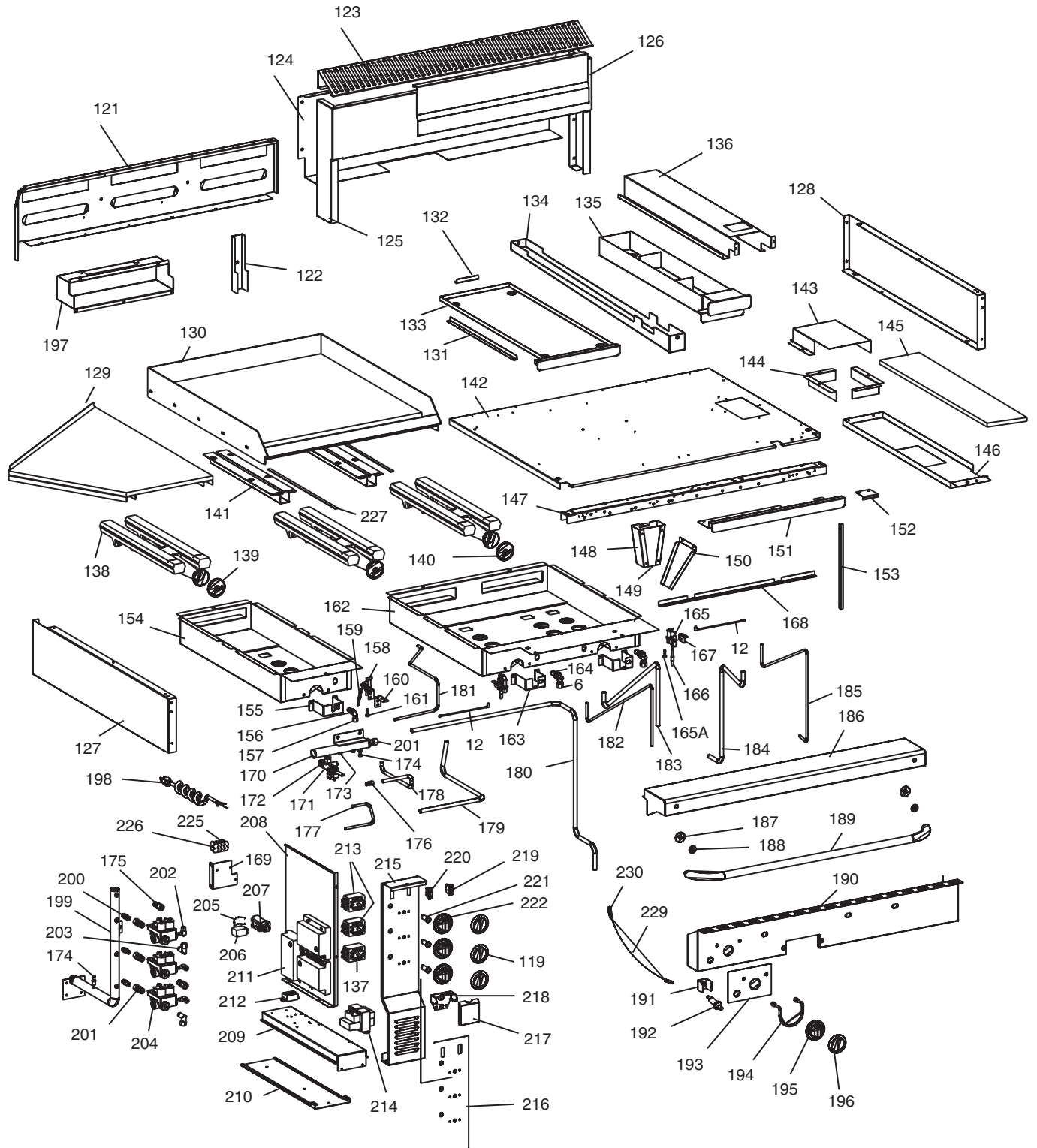


GARLAND
WENDY'S COMBO RANGE
STW286, STW28 SERIES

Contents:

Wendy's Combo STW286/STW28 Oven Section Page 4
Wendy's Combo STW286/STW28 Top Section Page 5
Revision History Page 14





GARLAND PARTS IDENTIFICATION

Starfire Sentry Series Combo Range

Model STW286, STW28

ITEM	PART #	DESCRIPTION	MODEL	
			QUANTITY	
			STW286	STW28
1	076050-87	1/4 Compression Union	1	1
2	076050-88	7/16 Compression Union	1	1
3	1005800	Door Spring	2	1
4	2206513	Spark Ignition Pilot NAT	1	1
	2206512	Spark Ignition Pilot PRO	1	1
4A		Pilot Orifice (Specify Gas)	1	1
5	2621000	Pilot Bracket, Oven	1	1
6	22701XX	Orifice Fitting	3	3
7	M9-XX	Orifice Hood (Specify Gas)	1	1
8	2635100	Oven Orifice Support Bracket	1	1
9	2621800	Oven Burner Rest Support	1	1
10	1390900	Burner Rest Slide	2	2
11	2624900	Tube 1/4 - Oven Pilot to 1/4 Comp. Coupling	1	
	2624901	Tube 1/4 - Oven Pilot to 1/4 Comp. Coupling		1
12	2642800	Sensor Wire	3	3
13	2624800	Tube 7/16 – 7/16 Oven Orifice to Comp. Coupling	1	
	2624801	Tube 7/16 – 7/16 Oven Orifice to Comp. Coupling		1
14	2298300	Burner Oven	1	1
15	2621200	R/h Roll Out Shield	1	
	2621201	Roll Out Shield		2
16	1391100	Roll Out Shield Support	1	
	1391101	Roll Out Shield Support RT		1
	1391102	Roll Out Shield Support LT		1
17	2635000	Left Roll Out Shield	1	
18	2512700	Lower Front Plate	1	
	2512701	Lower Front Plate		1
19	2628699	Kick Panel Bracket	2	2
20	2628500	Kick Panel	1	
	2628501	Kick Panel		1
21	2622200	Front Support	1	1
22	G01487-8	Heyco Bushing	1	1
23	2604400	R/h Door Filler	1	1
24	1083001	Trunion Support	2	1
25	1082700	Harness Ring	2	2
26	1730297	Front Frame Assy	1	
	2521099	Front Frame Assy		1
27	2621300	Side Support	2	2
28	2614100	Body Side R/h	1	1
29	2642000	Wall Shield	1	1
30	2604200	Inner Liner	1	1
31	1309021	Cera Wool	2	2
32	1412100	Side Insulation Pan	2	2
33	1412200	Flue Spacer Angle	4	4
34	G02905-01-8E	Capillary Guard Assy	1	1
35	1402400	Casing Support Angle	2	2
36	1325900	Fire Plate Rear Support	2	2
37	1411300	Casing Support R/h	1	
	1411394	Casing Support Assy R/h		1

* NOT ILLUSTRATED

RECOMMENDED STOCK PARTS

GARLAND PARTS IDENTIFICATION
Starfire Sentry Series Combo Range
Model STW286, STW28

ITEM	PART #	DESCRIPTION	MODEL	
			QUANTITY	
			STW286	STW28
38	1411301	Casing Support L/h	1	
	1411393	Casing Support Assy L/h		1
39	1411500	Casing Bottom	1	
	1411501	Casing Bottom		1
40	1311100	Left Side Rack	1	
	2297701	Left Side Rack – NLA – See Page #13		1
41	1356600	Rack Guide Clip	4	
42	1411700	Insulation Support	2	2
43	2301200	Oven Rack	3	
	2301202	Oven Rack		3
44	1357700	Fire Plate	1	
	1357701	Fire Plate		1
45	1412099	Fire Plate Front	1	1
46	2396800	Casing Back	1	
	2396801	Casing Back		1
47	2614101	Body Side LH	1	1
48	2396999	Main Back Insulation Pan Assy	1	
	2396998	Main Back Insulation Pan Assy		1
49	1411400	Casing Top	1	
	1411401	Casing Top		1
50	1412699	Top Insulation Pan Assy	1	
	1412698	Top Insulation Pan Assy		1
51	1309025	Cera Wool	1	1
52	1309022	Cera Wool	1	1
53	1411900	Insulation Cover Bracket	1	
	1411901	Insulation Cover Bracket		1
54	1472202	Insulation Back Sides 5.5 x 28	2	
55	2621199	Flue Riser Assy	1	
	2621198	Flue Riser Assy		1
56	2397000	Main Back	1	
	2397001	Main Back		1
57	1472200	Insulation Back 22.5 x 22.5	1	1
58	2620800	Main Bottom	1	
	2620801	Main Bottom		1
59	2301300	Door Spring Support	1	
	3001400	Door Spring Support		1
60	2620900	Main Bottom Support Channel	2	
	2620901	Main Bottom Support Channel		2
61	1311101	Right Side Rack	1	
	2297700	Right Side Rack – NLA – See Page # 13		1
62	1386100	Bell Crank Support	2	1
63	1082803	Oven Door Hinge Link LT	1	1
64	1082198	L/h Bell Crank	1	1
64A	1082199	R/h Bell Crank	1	
65	1082200	Bell Crank Bolt	2	1
66	9004701	Oven Door Spring Hook	2	1
67	1082802	Oven Door Hinge Link R/h	1	

* NOT ILLUSTRATED

RECOMMENDED STOCK PARTS

GARLAND PARTS IDENTIFICATION

Starfire Sentry Series Combo Range

Model STW286, STW28

ITEM	PART #	DESCRIPTION	MODEL	
			QUANTITY	
			STW286	STW28
68	G01503-16	Weld Stud 1/4-20 x 1.75	1	1
69	1439901	Oven Door Panel	1	
	1439904	Oven Door Panel		1
70	1592006	Handle Overlay	1	
71	2193100	Handle	1	
	2193102	Handle		1
72	2194901	Handle End, LT	1	1
73	2194900	Handle End, RT	1	1
74	2377300	Handle End Plastic Cap	2	2
75	1082500	Oven Door Trunion	2	2
76	G03984-03-8	Oven Door Insert Assy	1	
	G03984-05-8	Oven Door Insert Assy		1
77	1439796	Oven Door Lining	1	
	1439706	Oven Door Lining		1
78	1472303	Insulation	1	1
79	1472301	Insulation	1	1
80	1472302	Insulation	1	1
81	2519799	Motor Guard Assy	1	
	2519798	Motor Guard Assy		1
82	2485801	Motor 115V	1	1
	2485800	Motor 208/240V	1	1
83	G01503-3	Ohio Weld Nut 1/4-20	8	8
84	1412300	Vent Slide	1	1
85	1412400	Vent Slide Housing	1	1
86	G01497-1	BX Connector Straight	1	1
87	2628901	Casters, Swivel, Locking	2	2
88	2628900	Casters, Swivel	2	2
89	1748701	Restraint Attach Bracket	1	1
90	1361299	Air Baffle Support Assy	2	2
91	1120416	Aluminum Asbestos Padded Washer	2	2
92	1031901	Thumb Screw	2	2
93	2520100	Fan Protector Screen	1	1
94	2395999	Air Baffle Assy	1	1
95	1669100	Motor Pocket Insulation Board	1	1
96	2396600	Motor Mount Pocket	1	
	2396601	Motor Mount Pocket		1
97	2396700	Motor Mount Plate	1	
	2396701	Motor Mount Plate		1
98	G02952-01P	Blower Wheel	1	1
100	2640700	Manifold Support Bracket	2	2
101	2640800	Manifold Support Clamp	2	2
102	G01474-5	3/4 Elbow	1	1
103	G01738-14	Nipple 2" (Domestic Model)	1	1
104	G01518-1	Valve-Swing Type Shut Off Gas (Domestic Model)	1	1
105	G01738-9	Nipple 9.5" (Domestic Model)	1	1
106	G01738-13	Nipple 13.5" (Export Model)	1	1
107	G01475-2	Street Elbow	3	3

* NOT ILLUSTRATED

RECOMMENDED STOCK PARTS

GARLAND PARTS IDENTIFICATION

Starfire Sentry Series Combo Range

Model STW286, STW28

ITEM	PART #	DESCRIPTION	MODEL	
			QUANTITY	
			STW286	STW28
108	2127502	Gas Regulator (Nat) (Domestic Model)	1	1
	2127500	Gas Regulator (Pro) (Domestic Model)	1	1
109	2525200	Jeavons Regulator (Nat) (Export Model)	1	1
109A	2525300	Regulator Spring (Pro)	1	1
110	2622400	Wiring Access Cover	1	1
111	2604300	Control Comp Back	1	1
112	2490500	Straight Thru Relief Bushing (Domestic Model)	1	1
113	1029600	Antishorts	2	2
114	1029400	BX Cable (.609 Meters)	1	1
115	1028500	BX Connectors 90	1	1
116	2628300	Door Switch Bracket	1	
	3005300	Door Switch Bracket		1
117	2628000	Door Switch	1	1
117A*	3096100	Door Switch Harness	1	
118	G01738-4	Nipple 2.5"	1	1
119	2621400	Oven/Griddle Dial Insert Fahrenheit	3	3
	2621401	Oven/Griddle Dial Insert Celsius	3	3
120	2620700	Lifting Angle	2	2
121	2615900	Burner Box Back	1	
	2615901	Burner Box Back		1
122	1414600	Burner Box Back Support	1	
123	2374301	Backguard Top 36"	1	
	2374300	Backguard Top 24"		1
124	2614200	Backguard Back	1	
	2614201	Backguard Back		1
125	2374101	Backguard Front	1	
	2374100	Backguard Front		1
126	2629400	Griddle Splash Shield	1	
127	2614398	Burner Box Side Assy L/h	1	1
128	2614399	Burner Box Side Assy R/h	1	1
129	2604799	Hot Top Assy	1	
130	2616499	Griddle Assy	1	1
131	2616100	Drip Tray Guide	1	
132	2616000	Drip Tray Stop	1	
133	2615300	Drip Tray	1	
134	2618000	Grease Trough	1	
135	2616299	Grease Drawer Assy	1	
136	2617900	Grease Sleeve	1	
	2617901	Grease Sleeve		1
137	2613101	Thermostat Oven	1	1
138	1014900	Burner	3	2
139	1028002	Air Shutter	1	
140	2512100	Air Shutter	2	2
141	2676899	Bulb Clamp/Shield Assy	2	2
142	2614500	Burner Box Bottom	1	
	2614501	Burner Box Bottom		1
143	2619800	Heat Shield-Tubing	1	1

* NOT ILLUSTRATED

RECOMMENDED STOCK PARTS

GARLAND PARTS IDENTIFICATION

Starfire Sentry Series Combo Range

Model STW286, STW28

ITEM	PART #	DESCRIPTION	MODEL	
			QUANTITY	
			STW286	STW28
144	2619400	Insulation Shield	2	2
145	2642100	Control Panel Top Insulation	1	1
146	2608100	Insulation Retainer	1	1
147	1085000	Burner Box Front Channel 36"	1	
	1729601	Burner Box Front Channel 24"		1
148	2613900	Grease Chute Front	1	1
149	2614000	Grease Chute Back	1	1
150	2618100	Grease Deflector		
151	2615500	False Handle	1	
	2615501	False Handle		1
152	2615600	Panel Retainer	1	1
153	2615700	Panel Stop	1	
154	2614698	Hot Top Burner Box Assy	1	
155	2617500	Orifice Support Hot Top	1	
156	M8-XX	Orifice Hood Hot Top (Specify Gas)	1	
157	G02486-00	Orifice Fitting less Hood (Hot Top)	1	
158	2200700	SIT Pilot R/h	1	
158A*	2200704	3/16" Comp Nut	1	
158B*	2200705	Olive Ball Sleeve	1	
158C*	2200706	Nut Thermo Retaining	1	
158D*	2200707	Nut Electrode	1	
158E*	2200708	Electrode	1	
159	2200600	18" Thermocouple	1	
160	2614900	Pilot Bracket, Hot Top	1	
161	2200702	Orifice Pilot #32 (Nat)	1	
	2200703	Orifice Pilot #23 (Pro)	1	
162	2614699	Griddle Burner Box Assy	1	1
163	2617400	Orifice Support -Griddle	2	2
164	M9-XX	Large Orifice (Specify Gas)	2	2
165	2206514	Spark Ignition Pilot (Pro)	2	2
	2206515	Spark Ignition Pilot (Nat)	2	2
165A		Pilot Orifice (Specify Gas)	2	2
166	1466100	Flame Sensor	3	3
167	2614800	Pilot Bracket, Griddle Burner	2	2
168	2616900	Heat Shield	1	1
169	2617000	Retainer Bracket	1	1
170	2612399	Sub Manifold	1	
171	2200199	Valve (Hot Top)	1	
172	2198102	Valve Connector Fitting 10MM	1	
173	2203400	1/8 NPT Plug	2	
174	G02251-1	Pressure Test Spigot	2	1
175	G01243-1	Fitting 68-7B	1	
	G01747-3	3/8 NPT PLUG		1
176	1086597	Gum Valve - 3/16 Pilot	1	
177	2624500	Tube (1/4) - Hot Top Valve to Hot Top Orifice Fitting	1	
178	2625000	Tube (3/16) - Hot Top Valve to Hot Top Pilot	1	
179	2624700	Tube (7/16) -Oven Solenoid Valve to 7/16 Compression Coupling	1	
	2624701	Tube (7/16) -Oven Solenoid Valve to 7/16 Compression Coupling		

* NOT ILLUSTRATED

RECOMMENDED STOCK PARTS

GARLAND PARTS IDENTIFICATION

Starfire Sentry Series Combo Range

Model STW286, STW28

ITEM	PART #	DESCRIPTION	MODEL	
			QUANTITY	
			STW286	STW28
180	2619100	Tube (7/16) –Manifold to Sub Manifold	1	
181	2624600	Tube (1/4) -Oven Solenoid Valve to (1/4) Compression Coupling	1	
	2624601	Tube (1/4) -Oven Solenoid Valve to (1/4) Compression Coupling		1
182	2619200	Tube (1/4) –Solenoid Valve to Griddle Pilot L/h	1	
183	2613000	Tube (7/16) –Solenoid Valve to Griddle Burner Orifice L/h	1	
184	2612900	Tube (7/16) –Solenoid Valve to Griddle Burner Orifice R/h	1	
185	2619300	Tube (1/4) –Solenoid Valve to Griddle R/h	1	
186	2615100	Front Rail	1	
	2615101	Front Rail		1
187	2615202	Washer – Handle	2	2
188	2620600	Teflon Washer	2	2
189	2615299	Handle Assy	1	
	2615298	Handle Assy		1
190	2615000	Valve Panel	1	
	2615001	Valve Panel		1
191	2642700	Piezo Guard	1	
192	1309201	Piezo Ignitor	1	
193	2643400	Hot Top Overlay	1	
194	G0728-1-8	Thermostat Guard	1	
195	2138701	Dial (Hot Top)	1	
196	2310000	Dial Insert (Hot Top)	1	
197	2615800	Flue Box	1	
	2615801	Flue Box		1
198	2642200	Coiled Cord (Domestic Model)	1	1
199	2612299	Main Manifold	1	1
200	2621500	Valve Connecting Fitting	3	3
201	1095499	3/8 NPT to 7/16 Comp Fitting	5	4
202	G03674-3	Valve -Pilot ¼" Angle 90Deg	3	3
203	G02352-1	Elbow 3/8 NPT to 7/16cc Male	2	2
204	2619500	Solenoid Valve 24v	3	3
205	2475700	Relay Clip	1	1
206	2672200	Relay – Omron	1	1
207	2475600	Relay Base	1	1
208	2617300	Component Side Support	1	1
209	2613300	Component Support	1	1
210	2613400	Component Slide	1	1
211	2619600	Pilot Ignition Control 24V	3	3
212	2573000	Terminal Block 3 Circuit	1	1
213	2613100	Thermostat Griddle	2	2
214	2652401	75VA Transformer (120V)	1	1
	2652402	75VA Transformer (208/240V)	1	1
215	2617800	Control Panel	1	1
216	2629500	Overlay	1	1
217	2629000	Oven Control Cover	1	1
218	2628700	Oven Control Cover Support	1	1
219	2630200	Switch spdt ON-OFF-ON	1	1
220	2146800	Illuminated Power Switch	1	1
221	2667200	Pilot Assy Amber	3	3

* NOT ILLUSTRATED

RECOMMENDED STOCK PARTS

GARLAND PARTS IDENTIFICATION

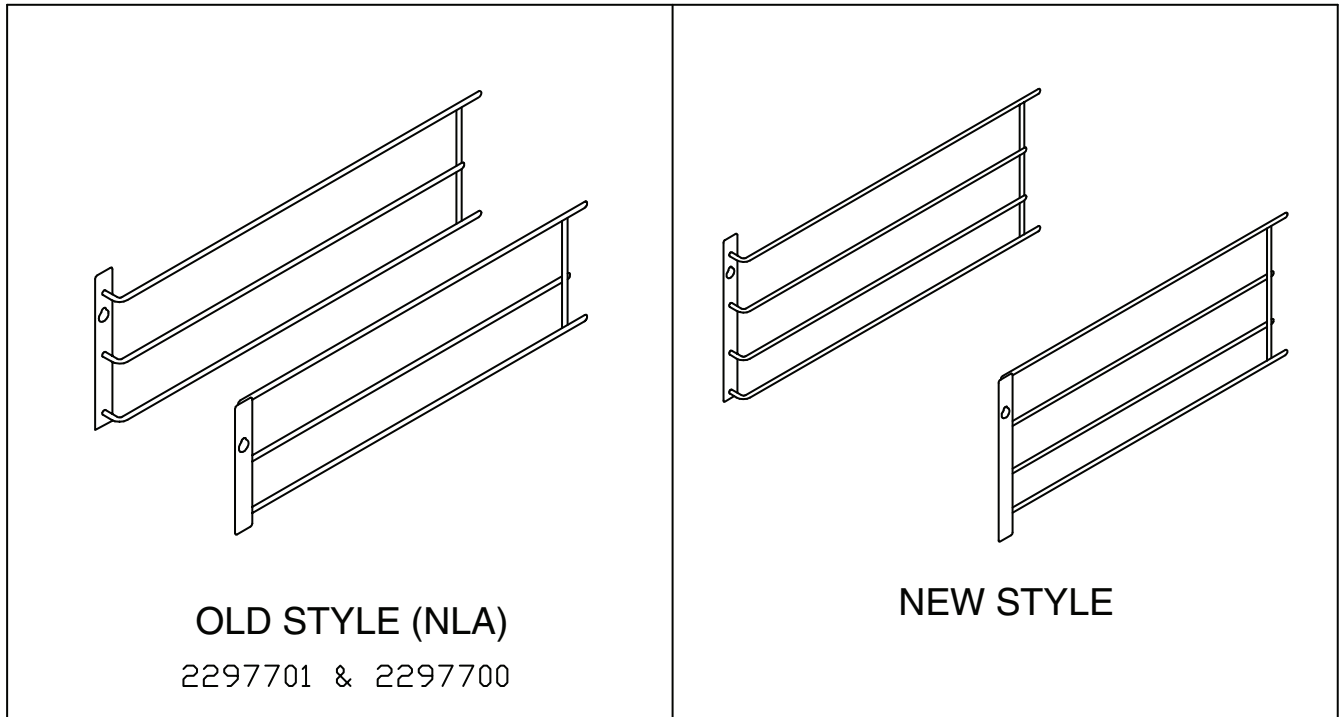
Starfire Sentry Series Combo Range

Model STW286, STW28

ITEM	PART #	DESCRIPTION	MODEL	
			QUANTITY	
			STW286	STW28
222	2138700	Knob (Oven/Griddle Controls)	3	3
225	50070	Sectional Terminal End (Export Model)	1	1
226	50069	Sectional Terminal Block (Export Model)	2	2
227	2676400	Insulation Strip	2	2
228	2689500	Pilot Tube Support Bracket	1	1
229	G03883R	Thermoflex Insulating Sleeve 24"	1	1
230	2200205	High Tension Wire Lead 24"	1	1
231	3001300	Oven Pilot Shield	1	1
232*	4522023	Complete Wire Harness	1	

* NOT ILLUSTRATED

RECOMMENDED STOCK PARTS



IMPORTANT NOTES FOR THE OVEN RACK GUIDE

Both 3 position rack guides will have to be replaced, when changing to the new 4 position rack guide. Order Part # 4519545 Oven Rack Guide Kit which includes both racks (Rt & Lt). Mounting method is the same.

4519545 - Oven Rack Slide Assy LT/RT Kit (2 racks included)
From Serial # 0410100109744

4518127 - Oven Rack Slide Assy LT/RT1each side
From Serial # 0410100109744

New Rack

GARLAND PARTS IDENTIFICATION

Revision History

REV. #	PAGE #	ITEM #	NOTE	DATE
1	9	117A	New Part Added 3096100	Apr 4/03
2	7	40, 61	New Rack Added	Nov 25/04
	13		Page Added	
3	12	232	New Part # Added	Aug 30/06
4	11	206	Part # Changed & Description – Was 2475500 (Relay)	Jan 24/07

NOTES

 **GARLAND**[®]