



STARFIRE SENTRY SERIES
S/ST28, 280, 282, 283, 284, 286, 288,
S/ST284/286RCE
ST24GS

PARTS LIST

Toll Free Phone, (US & Canada): (800) 427-6668

Toll Free Fax, (US & Canada): (800) 361-7745

<http://www.garland-group.com>



STARFIRE SENTRY SERIES

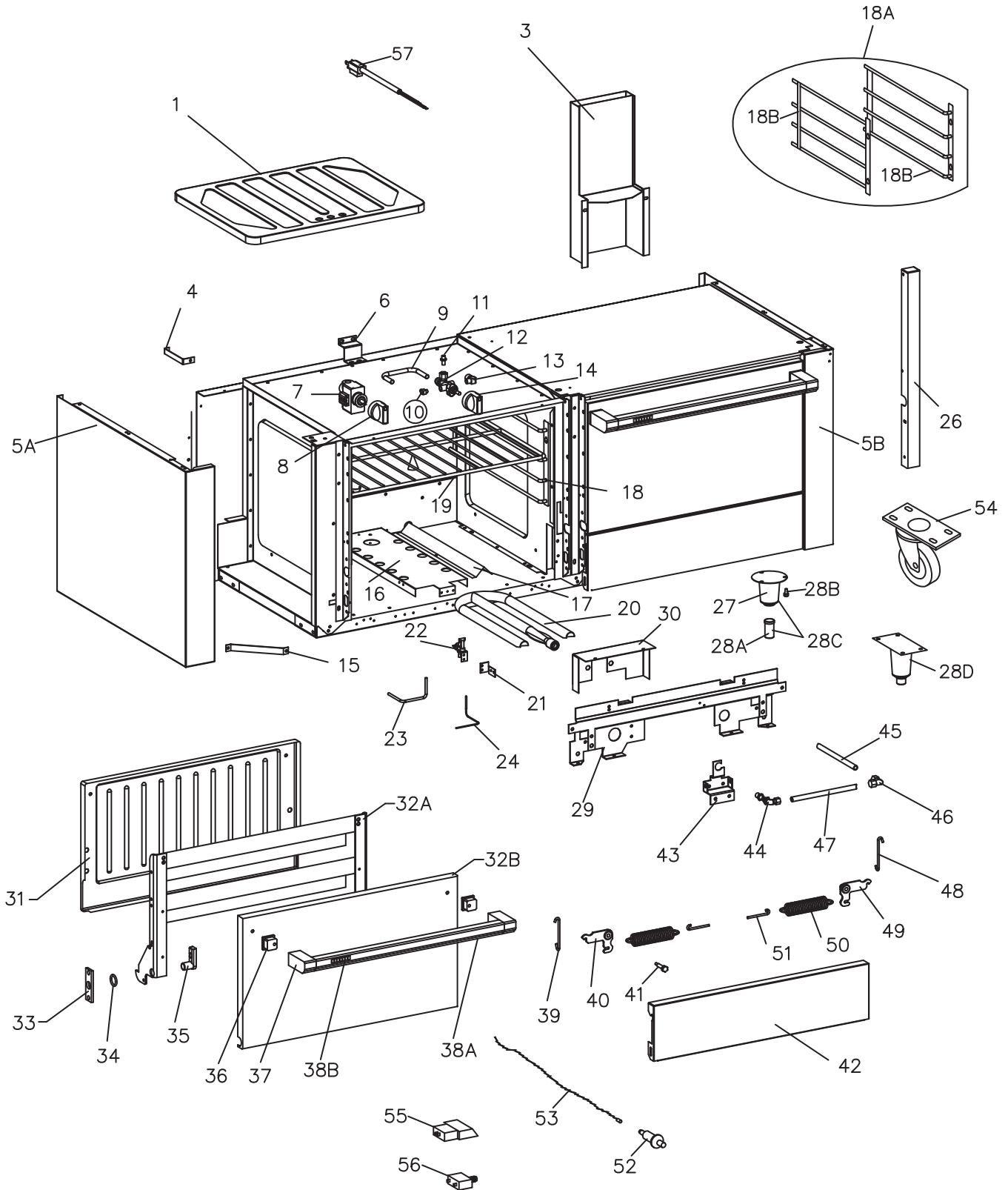
S/ST28, 280, 282, 283, 284, 286, 288,

S/ST284/286RCE

ST24GS

Contents:

Sentry Oven S & ST 28, 284, 286 & 288	Page 4
Sentry Convection Oven ST 286/284 RCE	Page 8
Surface Plate Section S28, S286, S288, S284	Page 14
Open Burner Pilots	Page 19
Surface Plate ST28, ST286, ST288, ST284.....	Page 20
Gas Char Broiler S280 - 18B, 24B, 30B, 36B	Page 26
Gas Char Broiler ST280 - 18B, 24B, 30B, 36B	Page 32
Gas Raised Broiler Models ST282 - ST283 - S282 - S283 Manufactured From S/N 0604100142343.....	Page 36
Gas Griddle / Salamander Models ST24GS	Page 40
Digital Photos	Page 43
Revision History	Page 45



GARLAND PARTS IDENTIFICATION

Sentry Oven Section

Models: S & ST 28, 284, 286, & 288

ITEM	PART #	DESCRIPTION	QUANTITY				DATE		CRITICAL	
			28	286	288	284	FROM	UP TO		
1	2157098	Oven Bottom	1		2					
	1438494	Oven Bottom Assembly		1		2				
3	1005399	Flue Body Assembly	1	1	2	2				
4	1364200	Main Back Stiffener	2	2	2	2				
5A	1731303	Body Side Left S/S	1		1	1		24-May-00		
	1081108	Body Side Left S/S	1		1	1	24-May-00			
	1721203	Body Side Left S/S		1				24-May-00		
	1081109	Body Side Left S/S		1			24-May-00			
5B	1731304	Body Side Right S/S	1		1	1		24-May-00		
	1081113	Body Side Right S/S	1		1	1	24-May-00			
	1731204	Body Side Right S/S		1				24-May-00		
	1081104	Body Side Right S/S		1			24-May-00			
6	2437000	F.D. Bracket	1	1	2	2				
7	G03145-048	F.D Control Assembly	1	1	2	2				
8	2193491	Dial F.D. Celsius Thermostat	1	1	2	2			C	
	2193485	Dial FD Fahrenheit Thermostat	1	1	2	2			C	
9A	2379800	Valve to F.D. Tube Up to Serial # 9710G001R	1	1	2	2				
9B	2613700	.437 Tube Open Valve -FD From Serial # 9710G002R	1	1	2	2				
10	076050-90	7/16 CC x 1/4 Elbow								
11A	2198102	Valve Connector Fitting 10MM Up to Serial # 9710G001R	1	1	2	2				
11B	2198100	Valve Connector Fitting 12 MM From Serial # 9710G002R	1	1	2	2				
12A	2187100	Flame Failure Valve Oven Up to Serial # 9710G001R	1	1	2	2			C	
12B	2513399	F.S. D. Oven Valve Assembly From Serial # 9710G002R	1	1	2	2			C	
13	G03674-2	Valve - Pilot 3/16" Angle 90 Deg	1	1	2	2				
14A	2193486	Sentry Oven Valve Dial From Serial # 9710G002R	1	1	2	2				
14B	2193497	Oven Valve Dial -NLA - Up to Serial # 9710G001R	No Longer Available							
14C	CK179	S/ST280 Oven Valve Replacement Includes Items # 9B, 14, 11B, & 12B	From Serial # 9710G002R						C	
15	1081300	Side Rear Brace	2	2	2	2				
16	2298500	Oven Burner Rest Support	1	1	2	2				
17	1391300	Tubing Shield	1	1	2	2				
18	2297700	Oven Rack Slide Assy RH - NLA	1	1	2	2				
	2297701	Oven Rack Slide Assy LH - NLA	1	1	2	2				
IMPORTANT NOTES FOR THE OVEN RACK GUIDE										
Both 3 position rack guides will have to be replaced, when changing to the new 4 position rack guide. Order Part # 4519545 Oven Rack Guide Kit which includes both racks (Rt & Lt). Mounting method is the same.										
18A	4519545	Oven Rack Slide Assy LT/RT Kit (2 Racks Included) From Serial # 0410100109744	1	1	1	1				
18B	4518127	Oven Rack Slide Assy LT/RT From Serial # 0410100109744	2 Per Oven							
19	2301200	Oven Rack Assembly		1		2				
	2301201	Oven Rack	1		2					
20	2378700	Burner Oven	1		2					
21	2378401	Oven Pilot Bracket R/H	1	1	2	2				
	2378400	Oven Pilot Bracket L/H								

* NOT ILLUSTRATED

^ PHOTO AT THE END

RECOMMENDED STOCK PARTS

GARLAND PARTS IDENTIFICATION

Sentry Oven Section

Models: S & ST 28, 284, 286, & 288

ITEM	PART #	DESCRIPTION	QUANTITY				DATE		CRITICAL
			28	286	288	284	FROM	UP TO	
22	2200797	Oven Pilot Assy LH NLA - Purchase Separate NLA See Information At The End			1	1			C
	2200799	Oven Pilot Assy R/H NLA - Purchase Separate NLA See Information At The End	1	1	1	1			C
23	2380000	Pilot Tube	1	1	2	2			
24	2200601	Thermocouple 60"	1	1	2	2			C
26	1081505	Centre Column			1	1			
27A^	1027600	Leg Retainer 6" (Std.)	4	4	4	4			
27B	2093800	Leg Retainer 4" (Opt)	4	4	4	4			
28A^	11150502	Bullet Legs	4	4	4	4			
28B	F445	Leg Screw #14	3	3	3	3			
28C^	1027699	6" Leg Retainer Assembly Item Includes # 27 & 28A	4	4	4	4			
28D^	4519723	6" S/S Adjustable Leg (Standard After July 3/04)	4	4	4	4			
29	1082001	Lower Front Plate		1		2			
	1368500	Lower Front Plate	1		2				
30	2298600	Front Air Shield		1		2			
	2331100	Left Air Shield	1		2				
	2331200	Right Air Shield	1		2				
31	1439796	Oven Door Lining Enameled		1		2			
	1439795	Oven Door Lining Enameled	1		2				
32A	G03984-06-8	Oven Door Insert Assembly		1		2			
	G03984-02-8	Oven Door Insert Assembly	1		2				
32B	1439901	Oven Door Panel							
33	1083001	Trunion Support	2	2	4	4			
34	1082700	Harness Ring 7GA	2	2	4	4			
35	1082500	Oven Door Trunion	2	2	4	4			
36	2377300	Plastic Insert	2	2	4	4		8-May-00	
	3010000	Handle Spacer (Insert)					8-May-00		
37	2194900	Door Handle- Right	1	1	2	2		8-May-00	
	2194901	Door Handle-Left	1	1	2	2		8-May-00	
	3007300	Handle End LH & RH					8-May-00		
38A	2193101	Oven Door Handle		1		2		8-May-00	
	3017000	Door Handle		1		2	8-May-00		
	2193100	Oven Door Handle	1		2			8-May-00	
	3017001	Door Handle	1		2		8-May-00		
38B	1592006	Handle Overlay	1	1	1	1			
39	1082803	Oven Door Hinge Link LT	1	1	2	2			
40	1082198	L/H Bell Crank Assembly		1		2			
	1082196	Oven Door Bell Crank 24"	1		2				
41	GF299	1/4-20 x 1/2 Shoulder Bolt	2	2	4	4			
42	2376700	Kick Panel	1			2			
	2376702	Kick Panel		1	2				
43	1361000	Orifice Bracket		1		2			
	2330800	Orifice Bracket	1		2				
44	22701XX	Oven Orifice Fitting (Specify Gas)	1	1	2	2			C
	M9-XX	Large Orifice (XX Specify Size)	1	1	2	2			C
	For International Orifice Contact Our Service Department								
45	1392500	7/16 Tube Safety Orifice	1	1	2	2			
46	1313800	Elbow 90 Degree Brass #65-7	1	1	2	2			
47	2378700	Burner Oven	1	1	2	2			C
48	1082802	Oven Door Hinge Link RT	1	1	2	2			
49	1082199	R/H Bell Crank Assembly	1	1	2	2			
50	1005800	Door Spring	2	2	4	4			C
51	9004701	Oven Door Spring Hook	2	2	4	4			

* NOT ILLUSTRATED

^ PHOTO AT THE END

RECOMMENDED STOCK PARTS

GARLAND PARTS IDENTIFICATION

Sentry Oven Section

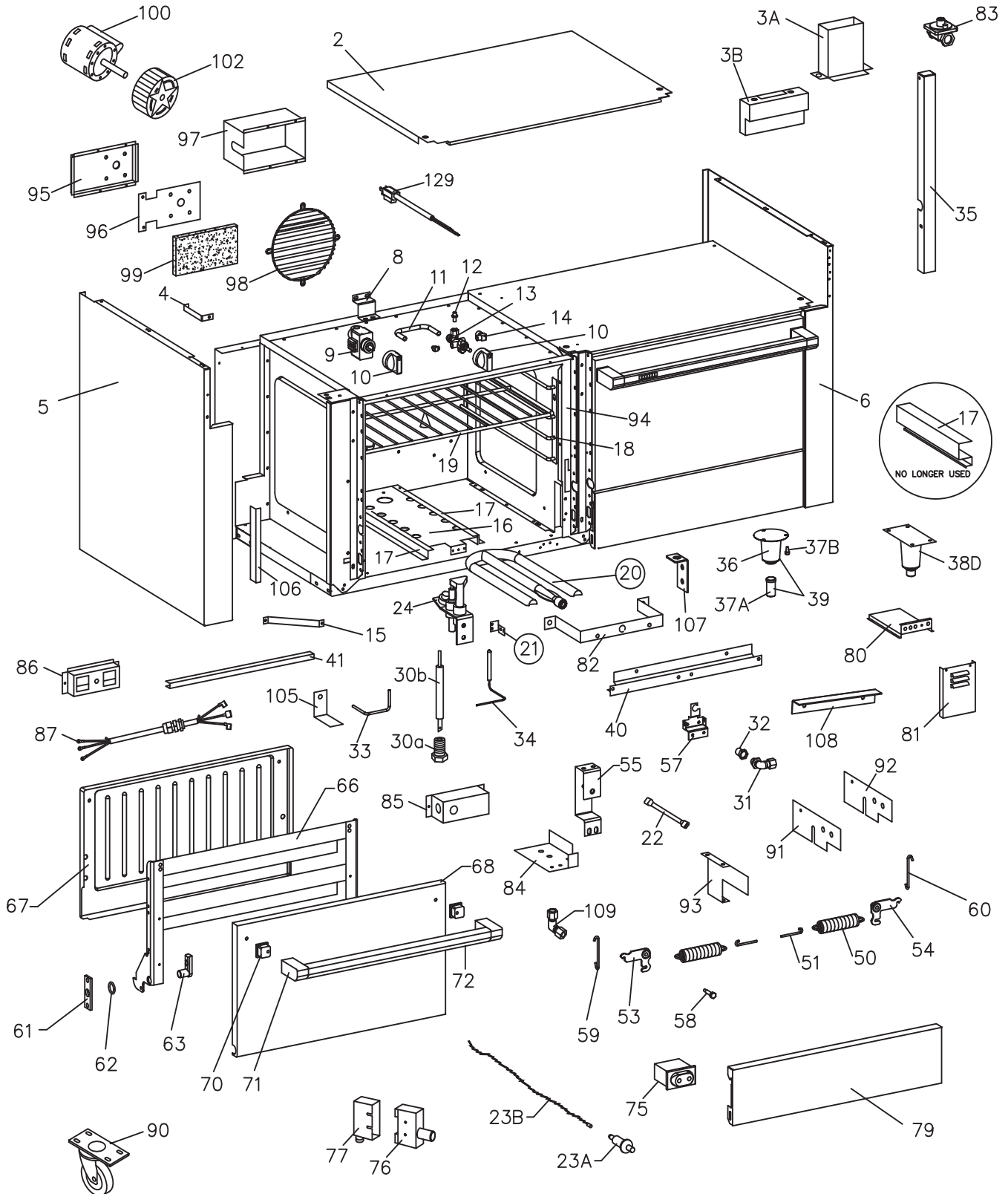
Models: S & ST 28, 284, 286, & 288

ITEM	PART #	DESCRIPTION	QUANTITY				DATE		CRITICAL
			28	286	288	284	FROM	UP TO	
52	1309201	Piezo Igniter #1244-41							
53	2200204	48" High Tension Wire Leads	1	1	2	2			
	2200209	88" High Tension Wire Leads ST286RCE Standard Direct Spark Ignition		1					
54	1027800	Swivel Caster Less Brake	2	2	2	2		10-Dec-04	
	4519432	Swivel Caster	2	2	2	2	10-Dec-04		
	1027801	Swivel Caster C/W Brake	2	2	2	2		10-Dec-04	
	4519433	Swivel Caster With Brake	2	2	2	2	10-Dec-04		
55	S/ST "E" Models: Electronic Spark Ignition (Qty For Standard Untis Only)								
	2144000	240 Volt Spark Gener 4 Outlet	1	2	2	3			C
	2144001	240 Volt Spark Gener 2 Outlet	1	1					C
	2144002	120 Volt Spark Gener 4 Outlet	1	2	2	3			C
	2144003	120 Volt Spark Gener 2 Outlet	1		ST=2 S=1				C
57	4523398	Power Cord 6Ft 3/14 Ga – 15 Amp SJ00W	1	1	1	1			
Pilot Assembly - Part Available									
22	2200797	LT Pilot Assembly Natural NLA (Available Separate - list below) Drawings Available on page # 19			1	1			
P2	2200701	LT Pilot							C
P3	2200702	Pilot Orifice #32 (Natural)							C
	2200703	Pilot Orifice #23 (Propane)							C
	2200709	Pilot Orifice # 40 (Manufactured)							C
P4	2200704	3/16 Comp. Sleeve							C
P5	2200705	3/16 Ball Sleeve							C
P6	2200706	Nut Thermo Retaining							C
P7	2200707	Electrode Nut							C
P8	2200708	Electrode							C
22	2200799	RT Pilot Assembly Natural NLA (Available Separate - list below) Drawings Available on page # 19	1	1	1	1			
P1	2200700	RT Pilot							C
P3	2200702	Pilot Orifice #32 (Natural)							C
	2200703	Pilot Orifice #23 (Propane)							C
	2200709	Pilot Orifice # 40 (Manufactured)							C
P4	2200704	3/16 Comp. Sleeve							C
P5	2200705	3/16 Ball Sleeve							C
P6	2200706	Nut Thermo Retaining							C
P7	2200707	Electrode Nut							C
P8	2200708	Electrode Nut							C
56	G03053-1	Momentary Switch Push Button Electric Spark Ignition on Pilots For "E" Models NOTE: Use Service Kit 4530075.	1	1	1	1			
	4530075	Kit - Momentary Switch NOTE: Kit includes a momentary switch, insulators, terminal tabs, and installation instructions. See Bulletin# GAR-05-11-AIC.	1	1	1	1			

* NOT ILLUSTRATED

^ PHOTO AT THE END

RECOMMENDED STOCK PARTS



Sentry Convection Oven Section.dwg

GARLAND PARTS IDENTIFICATION

Sentry Convection Oven Section

Models: ST 286 & 284 RCE

ITEM	PART#	DESCRIPTION	QUANTITY		DATE		CRITICAL
			ST286 RCE	ST284 RCE	FROM	UP TO	
2	1359201	Burner Box Bottom H286	1				
	1392200	Burner Box Bottom		2			
3A	1413899	Flue Assembly	1	2			
3B	1413900	Flue Box	1	2			
4	1364200	Main Back Stiffener		1			
	1360300	Main Back Extension H280	1				
5	1081108	Body Side Left S/S		1	24-May-00		
	1081109	Body Side Left S/S	1		24-May-00		
6	1081113	Body Side Right S/S		1	24-May-00		
	1081104	Body Side Right S/S	1		24-May-00		
7*	1355900	Body Side Stiffener Brkt		2			
8	2437000	F.D. Bracket	1	2			
9	G03145-048	F.D Control Assembly	1	2			
10	2193491	Dial FD Celsius Thermostat	1	2			C
	2193485	Dial FD Fahrenheit Thermostat	1	2			C
	2193486	Sentry Oven Valve Dial	1	2	1-Oct-97		C
	2193497	Oven Valve Dial - NLA - Up to Serial # 9710RG001R Use Valve & Knob Conversion Kit - CK179	No Longer Available				
11	2378800	Valve to F.D. Tube	1	2		1-Oct-97	
	2613700	.437 Tube Valve - FD	1	2	1-Oct-97		
12A	2198102	Valve Connector to Fitting 10MM	1	2			
12B	2198100	Valve Connector to Fitting 12MM	1	2	10-Oct-97		
13A	2187100	Flame Failure Valve Oven Use Conversion Kit # 13B	1	2		Oct-97	C
13B	2513999	F.S.D. Oven Valve Assembly	1	2	Oct-97		C
13C	CK179	S/ST280 Oven Valve Replacement Includes Items # 10, 11, 12B, 13B	From Serial # 9710RG002R				C
14	G03674-2	Valve - Pilot 3/16" Angle 90 Deg	1				
15	1081300	Side Rear Brace		1			
16	2354500	Burner Rest - H284		1			
	2298500	Oven Burner Rest Support	1	2			
	1084200	Burner Rest Support	2	2	15-Jul-94		
17	1390800	Burner Slide & Tube Shield (No Longer Used)	1	1		1-Jan-05	
	1390900	Burner Slide Rt & Lt	1	3	1-Jan-05		
18	1311100	Rack Guide Assy LT RC	1	1			
	1311101	Rack Guide Assy RT RC					
19	2301200	Oven Rack Assembly	3	4			
20	2378700	Burner Oven	1	2			C
21	2378401	Oven Pilot Bracket R/H	1	1			C
	2378400	Oven Pilot Bracket L/H		1			C
22	2200209	88" High Tension Wire Leads		1			C
	2200210	110" High Tension Wire Leads		1			C
23A	1309201	Piezo Igniter # 1244-41	1	2			C
23B	2200204	48" High Tension Wire Leads	1	2			C
24	2200700	Pilot Right Hand Drawing Available Under Open Burner Pilots / Page # 19	1	1			C
	2200701	Pilot Left Hand Drawing Available Under Open Burner Pilots / Page # 19	1	1			C
25*	2200702	Pilot Orifice # 32 (Natural)	1	2			C
	2200703	Pilot Orifice # 23 (Propane)	1	2			C
	2200709	Pilot Orifice # 40 (Manufactured)	1	2			C
28*	2200704	3/16" Compression Nut					
29*	2200705	Olive 3/16" Ball Sleeve					

* NOT ILLUSTRATED

^ PHOTO AT THE END

RECOMMENDED STOCK PARTS

GARLAND PARTS IDENTIFICATION

Sentry Convection Oven Section

Models: ST 286 & 284 RCE

ITEM	PART#	DESCRIPTION	QUANTITY		DATE		CRITICAL
			ST286 RCE	ST284 RCE	FROM	UP TO	
30a	2200707	Nut Electrode	6	10			C
30b	2200708	Electrode					C
31	22701XX	Oven Orifice Fitting (Specify Gas) Orifice Not Included	1	2			C
32	M9-XX	Large Orifice (XX Specify Size)	1	2			C
		For International Orifice Contact Our Service Department					
33	2380000	Pilot Tube		3			
34	2200601	Thermocouple 60"	1	2			C
35	1081506	Centre Column		1			
36A^	1027600	Leg Retainer 6" (Std.)	4	4			
36B	2093800	Leg Retainer 4" (Opt)	4	4			
37A^	1150502	Bullet Legs	4	4			
38B	F455	Leg Screw # 14	3	3			
38D^	4519723	6" S/S Adjustable Leg (Optional)	4	4			
39^	1027699	6" Leg Retainer Include Item #36 & # 37	4	4			
40	1082001	Lower Front Plate		1			
	2512700	Lower Front Plate RC	1	1	2-Oct-96		
41	1085100	Front Channel H286 - 36"	1				
	1085100	Front Channel H284 - 60"		1		31-Dec-89	
42*	1085200	Burner Box Front Channel Support		2			
50	1005800	Door Spring	2	4			C
51	9004701	Oven Door Spring	2	4			C
53	1082198	L/H Bell Crank Assembly	1	2			C
54	1082199	R/H Bell Crank Assembly	1	2			C
55	1386100	Bell Crank Support	2	2			
	G04071-1-7	Bell Crank Supt M40RC	2	2	16-Apr-01		
57	2301300	Door Spring Support		1			
58	GF299	1/4-20 x 1/2 Shoulder Bolt	2	4			
59	1082803	Oven Door Hinge Link LT	1	2			
60	1082802	Oven Door Hinge Link RT	1	2			
61	1083001	Trunion Support	2	4			
62	1082700	Harness Ring GA	2	4			
63	1082500	Oven Door Trunion	2	4			
64*	1592006	Handle Overlay	1	2		8-May-00	
65	2378003	Panel Overlay ST284	1	2			
66	G03984-03-8	Oven Door Insert Assembly		1		27-Feb-01	
	G03984-06-8	Oven Door Insert Assembly		1	27-Feb-01		
67	1439796	Oven Door Lining Enamelled	1	2			
68	1439905	Full Size Door With Garland Logo	1	2			
	1439901	Oven Door Panel Without Garland Logo	1	2			
69*	1472301	Insulation 2" Door					
	1472302	Insulation 2" Door					
	1472303	Insulation 2" Door					
70	3007300	Handle End LH & RH	2	4	8-May-00		C
71	3010000	Handle Spacer (Insert)	2	4	8-May-00		C
72	3017000	Door Handle	1	2	8-May-00		C
73*	3077100	7-5/8" Garland Nameplate					
74*	2483400	Door Switch Cover ST280	1		8-Dec-94		
75	1729100	3 Position Switch MCGILL (W/Light)	1	1			C
76	2398600	Switch W/Sealing Cap X01-E1G6	1	2			C
77	2398700	Terminal Cover #4116 4817 0	1	2			
78*	1028806	Heyco Bushing 9/16"Od x 3/8"Id					
79	2376702	Kick Panel	2		23-Sep-99		

* NOT ILLUSTRATED

^ PHOTO AT THE END

RECOMMENDED STOCK PARTS

GARLAND PARTS IDENTIFICATION

Sentry Convection Oven Section

Models: ST 286 & 284 RCE

ITEM	PART#	DESCRIPTION	QUANTITY		DATE		CRITICAL
			ST286 RCE	ST284 RCE	FROM	UP TO	
80	2566500	Spark Generator Housing	1	1			
81	2566600	Spark Box Cover	1	1			
82	1361299	Air Baffle Supt Assembly	2	2	5-Dec-00		
	1361298	Air Baffle Support Assy	2	2	5-Dec-00		
83	2127502	Gas Regulator Natural 4.5"	1	1			C
	2127500	Gas Regulator Propane 10"	1	1			C
84	2443900	Microswitch Bracket ST280	1	1			
85	2483200	Switch Box	1	1	8-Dec-94		
86	2483300	Switch Mount Cover	1	1	8-Dec-94		
87	2552399	Switch Cable Ass'y 36" ST280 RC	1	1			
90	1027800	Swivel Caster Less Brake	2	2		10-Dec-04	
	4519432	Swivel Caster	2	2	10-Dec-04		
	1027801	Swivel Caster C/W Brake	2	2		10-Dec-04	
	4519433	Swivel Caster With Brake	2	2	10-Dec-04		
91	2330900	Left Roll Out Shield (RC)	1	1		20-Aug-99	
	2677700	Left Roll Out Shield	1	1	20-Aug-99		
92	1390701	Right Roll Out Shield	1	1			
93	1391100	Roll Out Shield Suppt					
94	1730297	Front Frame Assy	1	2	16-Mar-95		
	1730299	Front Frame 30" S/W SS Assy	1	2		16-Mar-95	
95	1412799	Motor Mount Pocket Assembly	1	1		10-Oct-95	
	2396600	Motor Mount Pocket	1	1	10-Oct-95		
96	2396700	Motor Mount Plate GCE	1	1	10-Oct-95		
	1412900	Motor Mount Plate GCE	1	1		10-Oct-95	
97	2519799	Motor Guard Assy	1	1	10-Oct-95		
98	2520100	Fan Protector Screen	1	1	10-Oct-95		
99	1669100	Motor Pocket Insulation Board		1			
100	2485801	Motor PSC 1/3 HP 115V 60HZ	1	1	10-Oct-95		C
	2485800	Motor PSC 1/3 HP 208/240V 50/6	1	1	10-Oct-95		C
101*	G01503-3	Weld Nut 1/4 - 20 #RH-2138		8			
102a	G02952-01P	Blower Wheel Assembly Plated		2			
102b*	CK2485801	Fan Motor RC 280 115V Included 99, 95, 96, 100, 101, 102		2			C
105	1411700	Insulation Support Bracket	2	4			
106	1402400	Casing Support Angle	2	2			
107	1356600	Rack Glide Clip	2	4			
108	1325900	Fire Plate Rear Support		2			
109	1313800	Elbow 90 Degree Brass #65-7		2			
110*	1309021	.5" Thick Insulation Burglas 1200		4			
	1309022	.5" Thick Insulation Burglas 1200		1			
	1309025	.5" Thick Insulation Burglas 1200		1			
111*	1472201	Insulation Upper Back		1			
	1472202	Insulation Lower Back G280		1			
	1472300	Insulation 28 x 23 x 2 Top		1			
	1472200	Side Insulation G280		1			
	2396999	Main Back Insulation Pan Assy	1	1	10-Oct-95		
112*	2397000	Main Back RC	1	1	10-Oct-95		
113*	G02251-1	Pressure Test Spigot	1	1			
114*	1005295	Oven top Liner GCE		2			
115*	1028312	3/16 Alum Tubing	1	2			
	1028382	3/16 Alum Tubing 82.00"	1	2			
	1439300	Oven Tubing Left		1			
	1439500	Oven Tubing Right		1			

* NOT ILLUSTRATED

^ PHOTO AT THE END

RECOMMENDED STOCK PARTS

GARLAND PARTS IDENTIFICATION

Sentry Convection Oven Section

Models: ST 286 &284 RCE

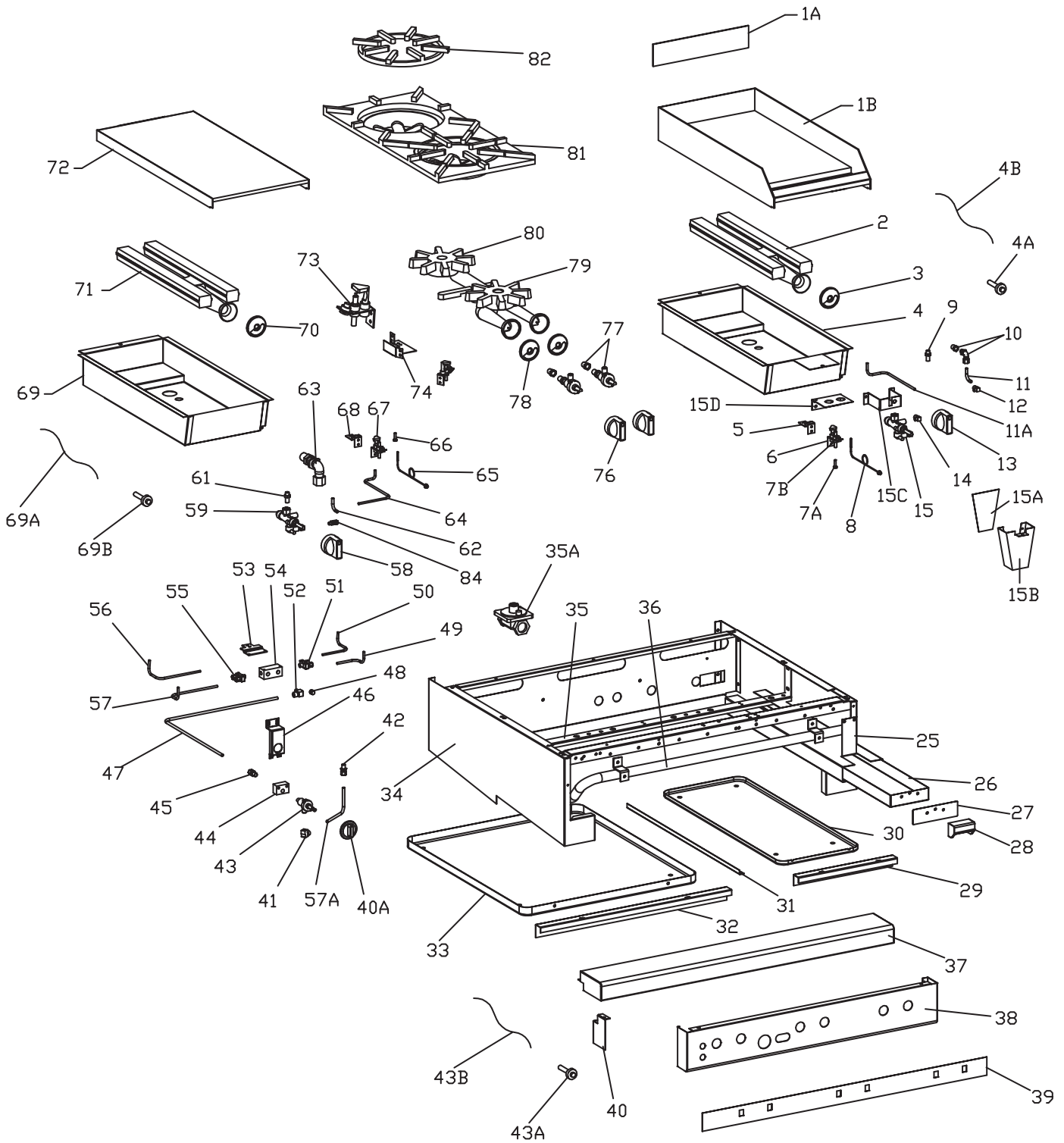
ITEM	PART#	DESCRIPTION	QUANTITY		DATE		CRITICAL
			ST286 RCE	ST284 RCE	FROM	UP TO	
116*	1029430	Flexible Conduit 3/8" X 30"	0.76	0.76			
117*	1090311	Tubing For Thermostat Manifold	1	2			
118*	1313800	Elbow 90 Degree Brass #65-7	1	2			
119*	1357700	Fire Plate	1	1			
120*	1359200	Bb Bottom H284 RC		2			
121*	1361812	Bottom Channel - H284		2			
122*	1361901	Main Bottom		1			
123	1361903	Main Bottom H284RC		2			
124*	1362098	Oven Back Liner Assy GCE H286		1			
125*	1414700	Drip Pan Guide	1	2			
127*	2301100	Steel Tubing Safety to Orifice 7/16"		1			
128*	2629200	Bracket - Inlet Manifold	1	1			
129	4523398	Power Cord 6Ft 3/14 Ga - 15Amp SJ00W	1	1			

* NOT ILLUSTRATED

^ PHOTO AT THE END

RECOMMENDED STOCK PARTS

NOTES



Surface Plate Section.dwg

GARLAND PARTS IDENTIFICATION

Surface Plate Section

Models: S28, S286, S288 & S284

ITEM	PART #	DESCRIPTION	QUANTITY			CRITICAL
			12"	24"	36"	
Griddle Section						
1A	1281998	Griddle front Splash Assy. 24"				
	1281999	Griddle front Splash Assy. 12"				
	1281997	Griddle front Splash Assy. 36"				
	1281996	Griddle front Splash Assy. 48"				
	1281995	Griddle front Splash Assy. 60"				
1B	2411399	12" Griddle Assy REF:1728199	1			
	2411398	24" Griddle Assy REF:1727599			1	
	2411397	36" Griddle RH Assy REF:1727899			1	
	2411396	36" Griddle LH Assy REF:1727898			1	
2	1014901	Griddle H Burner	1	2	3	C
3	1028002	Air Shutter	1	2	3	C
4	2205399	Burner Box 12" S280	1		1	
	2203899	Burner Box 24" S280		1	1	
4a	1309201	Piezo Igniter #1244-41	1	2	3	C
4b	2200204	48" High Tension Wire Leads	1	2	3	C
5	2270900	Pilot Bracket HT	1	2	3	
6	2200700	Pilot Right Hand		1	2	C
	2200701	Pilot Left Hand	1	1	1	C
7A	2200702	Pilot Orifice #32 (Natural)	1	2	3	C
	2200703	Pilot Orifice #23 (Propane)	1	2	3	C
	2200709	Pilot Orifice # 40 (Manufactured)	1	2	3	C
7B	2200704	3/16" Compression Nut	1 Per Pilot			C
	2200705	Olive 3/16" Ball Sleeve				C
	2200706	Nut Thermo Retaining				C
	2200707	Nut Electrode				C
	2200708	Electrode				C
8	2200600	18" Thermocouple	1	2	3	C
9	2198102	Valve Connector Fitting 10 MM	1	2	3	C
10	G02486-47F	Orifice Fitting Natural Gas - North America Market	1	2	3	C
	G02486-1.2MM	Orifice Fitting 1.2 MM Propane Gas - North America Market	1	2	3	C
For International Orifice Contact Our Service Department						
11	2394300	Orifice Tube	1	2	3	
11a	2394200	Pilot Tube	1	2	3	
12	076050-80	Elbow Compression 1/4Tx 1/8P	1	2	3	
13	2193496	46/7 Valve Dial	1	2	3	
14	G03674-2	Valve -Pilot 3/16" Angle 90 deg	1	2	3	
15	2200199	F.F. Valve Master/Sentry	1	2	3	C
15a	2398900	Grease Chute Back H/S/ST280	1	1	1	
15b	2399000	Grease Chute Front H/S/ST280	1	1	1	
15c	2188700	Orifice Support	1	2	3	
15d	2256000	Drain Hole Patch	1	1	3	

* NOT ILLUSTRATED

RECOMMENDED STOCK PARTS

GARLAND PARTS IDENTIFICATION

Surface Plate Section

Models: S28, S286, S288 & S284

ITEM	PART #	DESCRIPTION	QUANTITY				DATE		CRITICAL
			S28	S286	S288	S284	FROM	UP TO	
25	2376900	Grease Drawer Cover							
26	2377499	Grease Drawer Assembly							
27	2377500	Grease Drawer Front							
28	2193000	Grease Tray Handle							
29	2378303	Drip Handle 12 3/16"		1		2			
30	1090103	Drip Tray Small 10x25		1		2			
	1090106	Drip Pan Small SS							
31	1414700	Drip Pan Guide		1		2			
32	2378301	Drip Pan Handles 23 9/16"	1	1	2	2			
33	1090003	Drip Pan Large 21x25	1	1	2	2			
	1090007	Drip Pan Large SS	1	1	2	2			
34	1731203	Body Side Left S/S			1			24-May-00	
	1731204	Body Side Right S/S			1			24-May-00	
	1731303	Body Side Left S/S	1	1		1		24-May-00	
	1731304	Body Side Right S/S	1	1		1		24-May-00	
	2589200	Burner Box Side Left			1		24-May-00		
	2589201	Burner Box Side Right			1		24-May-00		
	1081108	Body Side Left S/S	1	1		1	24-May-00		
35	1081113	Body Side Right S/S	1	1		1	24-May-00		
	2356800	Burner Rest 24" - H28	1		2				
	2354400	Burner Rest - H286		1					
35a	2354500	Burner Rest - H284				1			
	2127500	Gas Regulator Propane 10"	1	1	1	1			C
	2127501	Natural Regulator	1	1	1	1			C
36	2202699	Manifold - H28	1						
	1085098	Manifold Assembly		1					
	7900449	Manifold Assembly			1				
	1087197	Manifold - H284				1			
37	2375000	Front Rail F/S-ST28	1						
	2375001	Front Rail 36" F/S-ST286		1					
	2375002	Front Rail F/S-ST288			1				
	2375003	Front Rail F/S-ST284				1			
38	23768XX	Control Panel (Specify Model)							
39	2378004	Overlay	1						
	2378005	Overlay		1					
	2378006	Overlay			1				
	2378007	Overlay				1			
40	2374700	Front Rail Bracket F/Sentry Right	1	1	1	1			
	2374701	Front Rail Bracket H	1	1	1	1			
40a	2385900	Pilot Knob	1	1	1	1			
41	076050-63	1/4 x 1/8 F. Comp. Elbow	1	1	1	1			
42	076050-14	Compression Fitting 1/4T x 1/8M	1	1	1	1			
43	2124500	Push & Turn Pilot Shut-Off Valve	1	1	1	1			
43a	1309201	Piezo Igniter #1244-41							C
43b	2200204	48" High Tension Wire Leads							C
44	2383100	Valve Shut - Off Black	1	1	1	1			C
45	076050-14	Compression fitting 1/4T x 1/8M	1	1	1	1			
46	2383001	Pilot Valve Bracket	1	1	1	1			
47	2386101	Pilot Tube	1	1	1	1			
48	2203400	Counter Sunk Hex Pipe Plug 1/8" NPT	1	1	1	1			
49	2386105	Right Front Pilot Tube	1	1	1	1			
50	2386106	Right Rear Pilot Tube	1	1	1	1			

* NOT ILLUSTRATED

RECOMMENDED STOCK PARTS

GARLAND PARTS IDENTIFICATION

Surface Plate Section

Models: S28, S286, S288 & S284

ITEM	PART #	DESCRIPTION	QUANTITY				DATE		CRITICAL
			S28	S286	S288	S284	FROM	UP TO	
51	1510402	3/16 x 3/16 Y Pilot Adjust Valve	1	1	1	1			
52	076050-80	Elbow Compression 1/4T x 1/8P	1	1	1	1			
53	2392500	Bracket	1	1	1	1			
54	2392600	Pilot Shut-Off Block	1	1	1	1			
55	1510402	3/16 x 3/16 Y Pilot Adjust Valve	1	1	1	1			
56	2386104	Left Rear Pilot Tube	2	3	4	5			
57	2386103	Left Front Pilot Tube	1	1	1	1			
57A	2386100	Pilot Tube	1	1	1	1			

Hot Top Section

ITEM	PART #	DESCRIPTION	QUANTITY					CRITICAL
			12"	24"	36"	48"	60"	
58	2193496	46/7 Valve Dial	1	2	3	4	5	
59	2200199	F.F. Valve Master /Sentry	1	2	3	4	5	
60*	076050-80	Elbow Compression 1/4T x 1/8P	1	2	3	4	5	
61	2198102	Valve Connector Fitting 10MM	1	2	3	4	5	
62	2394300	Orifice Tube	1	2	3	4	5	
63	G02486-00	Orifice Fitting less Hood	1	2	3	4	5	
	G02486-47F	Orifice Fitting Natural Gas - North America Market	1	2	3	4	5	C
	G02486-1.2MM	Orifice Fitting 1.2MM Propane Gas North America Market	1	2	3	4	5	C
For Internation Orifice Contact Our Service Department								
64	2294100	Hot/Top Griddle Pilot Tube	1	2	3	4	5	
65	2200600	18" Thermocouple	1	2	3	4	5	C
66	2200702	Pilot Orifice #32 (Natural)	1	2	3	4	5	C
	2200703	Pilot Orifice #23 (Propane)	1	2	3	4	5	C
67	2200799	Pilot Assembly R/H NLA - Purchase Separate Use List Below	1	2	3	4	5	C
Drawing Available Under Open Burner Pilots - Page # 19								
P1	2200700	Pilot Right Hand						C
P3	2200702	Pilot Orifice #32 (Natural)						C
	2200703	Pilot Orifice #23 (Propane)						C
	2200709	Pilot Orifice #40 Manufactured						C
P4	2200704	3/16" Compression Nut						C
P5	2200705	Olive 3/16" Ball Sleeve						C
P6	2200706	Nut Thermo Retaining						C
P7	2200707	Nut Electrode						C
P8	2200708	Electrode						C
68	2270900	Pilot Bracket HT	1	2	3	4	5	
69	2205399	Burner Box 12" S280	1	2	3	4	5	
69a	2200204	48" High Tension Wire Leads	1	2	3	4	5	
69b	10309201	Piezo Igniter #124-41	1	2	3	4	5	
70	1028002	Air Shutter	1	2	3	4	5	
71	1014901	Griddle H Burner	1	2	3	4	5	
72	2395099	Hot Top Assembly 12"	1	2	3	4	5	
73	2200799	Pilot Assembly R/H NLA _ Purchase Separate See Open Burner Pilot Below	1	2	3	4	5	
74	2377800	Pilot Bracket	1	2	3	4	5	

* NOT ILLUSTRATED

RECOMMENDED STOCK PARTS

GARLAND PARTS IDENTIFICATION

Surface Plate Section

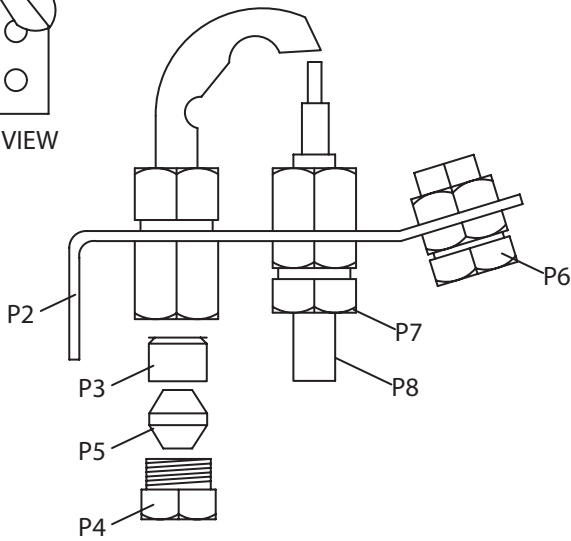
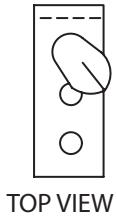
Models: S28, S286, S288 & S284

ITEM	PART #	DESCRIPTION	QUANTITY					CRITICAL
			12"	24"	36"	48"	60"	
OPEN BURNER SECTION								
76	2193493	Dial	2	4	6	8	10	C
77	2124400	Push & Turn Top Burn. Jc/A/890	2	4	6	8	10	C
	M8-43	Small Orifice 43 Size Natural Gas - North America Market	2	4	6	8	10	C
	M8-55	Small Orifice 55 Size Propane Gas - North America Market	2	4	6	8	10	C
	For International Orifice Contact Our Service Department							
78	1028002	Air Shutter Up to 5/20/96	2	4	6	8	10	
	2519200	Air Shutter From 5/20/96	2	4	6	8	10	
79	2217300	Front Burner 20K	1	2	3	4	5	
80	2217301	Rear Burner 20K	1	2	3	4	5	
81	1726301	Cast Iron Top Grate	1	2	3	4	5	
82	G6214	Top Ring Grate (no pins)	2	4	6	8	10	
83*	1510402	3/16 X 3/16 Y Pilot Adjust Valve						
84	1086597	3/16 Pilot Adjusting Valve						
85*	2430401	Valve Extension						
Open Burner Pilot Up To Serial # 9506RG1042 (Drawing Available - Page #19)								
P1	2200700	Pilot Right Hand	2	4	6	8	10	C
P2	2200701	Pilot Left Hand	2	4	6	8	10	C
P3	2200702	Pilot Orifice #32 (Natural)	2	4	6	8	10	C
	2200703	Pilot Orifice #23 (Propane)	2	4	6	8	10	C
	2200709	Pilot Orifice # 40 (Manufactured)	2	4	6	8	10	C
P4	2200704	3/16" Compression Nut	2	4	6	8	10	C
P5	2200705	Olive 3/16" Ball Sleeve	2	4	6	8	10	C
P6	2200706	Nut Thermo Retaining	2	4	6	8	10	C
P7	2200707	Nut Electrode	2	4	6	8	10	C
P8	2200708	Electrode	2	4	6	8	10	C
P9	2377800	Pilot Bracket See Item # 74						
Open Burner Pilot From Serial # 9506RG1043 (Drawing Available - Page #19)								
P10	2520800	Burner Pilot 0190-613	2	4	6	8	10	C
P11	2520801	Orifice Pilot 51 (NAT)	2	4	6	8	10	C
	2520802	Orifice Pilot 30 (LP)	2	4	6	8	10	C
	2520803	Orifice Pilot 62(Manufacture Gas)	2	4	6	8	10	C
	2520804	Sleeve 3/16COMP #0.957.025 "	2	4	6	8	10	C
P12	2200704	3/16" Compression Nut	2	4	6	8	10	C
P13	2200706	Nut Thermo Retaining	2	4	6	8	10	C
P14	2200707	Nut Electrode	2	4	6	8	10	C
P15	2200708	Electrode	2	4	6	8	10	C
P16	2521100	Bracket Open Burner Pilot	2	4	6	8	10	C
From Serial # 0104RG190R (Restaurant Duty) (Drawing Available - Page #19)								
P18	3040800	Pilot Shield						
P19	2521101	Pilot Bracket						
P20*	2324001	Pilot Tubing Front						
P21*	2324100	Pilot Tube - Rear Burner Pilot						

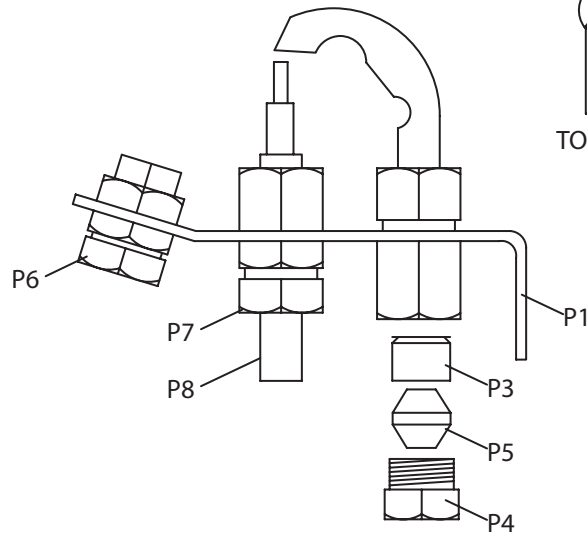
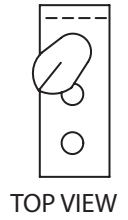
* NOT ILLUSTRATED

RECOMMENDED STOCK PARTS

OPEN BURNER PILOTS UP TO SERIAL #9506RG1042

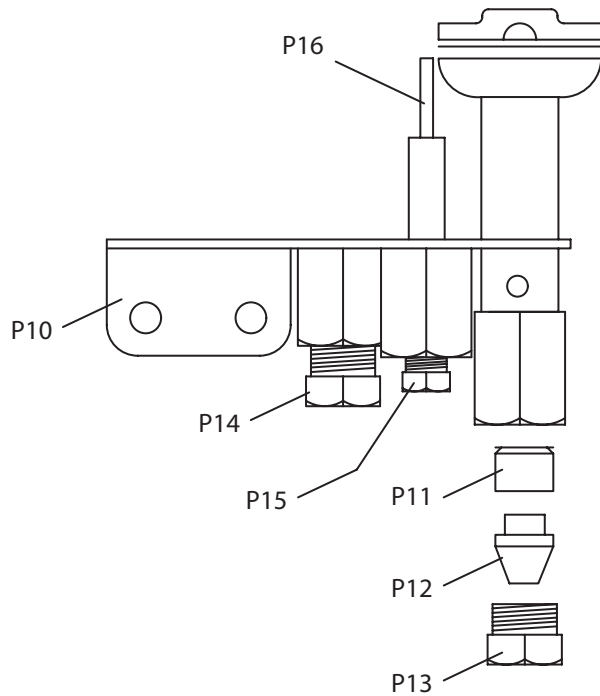


2200701 PILOT L/H

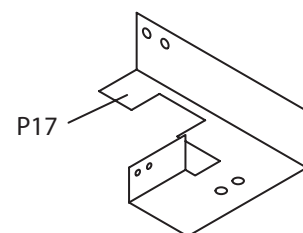
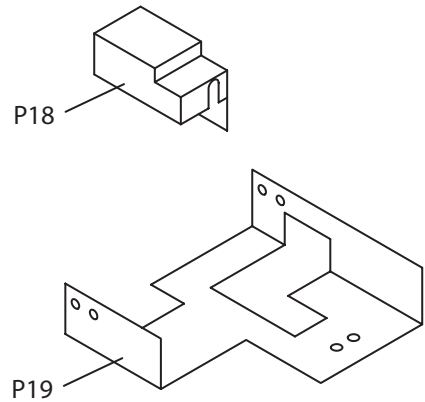


2200700 PILOT R/H

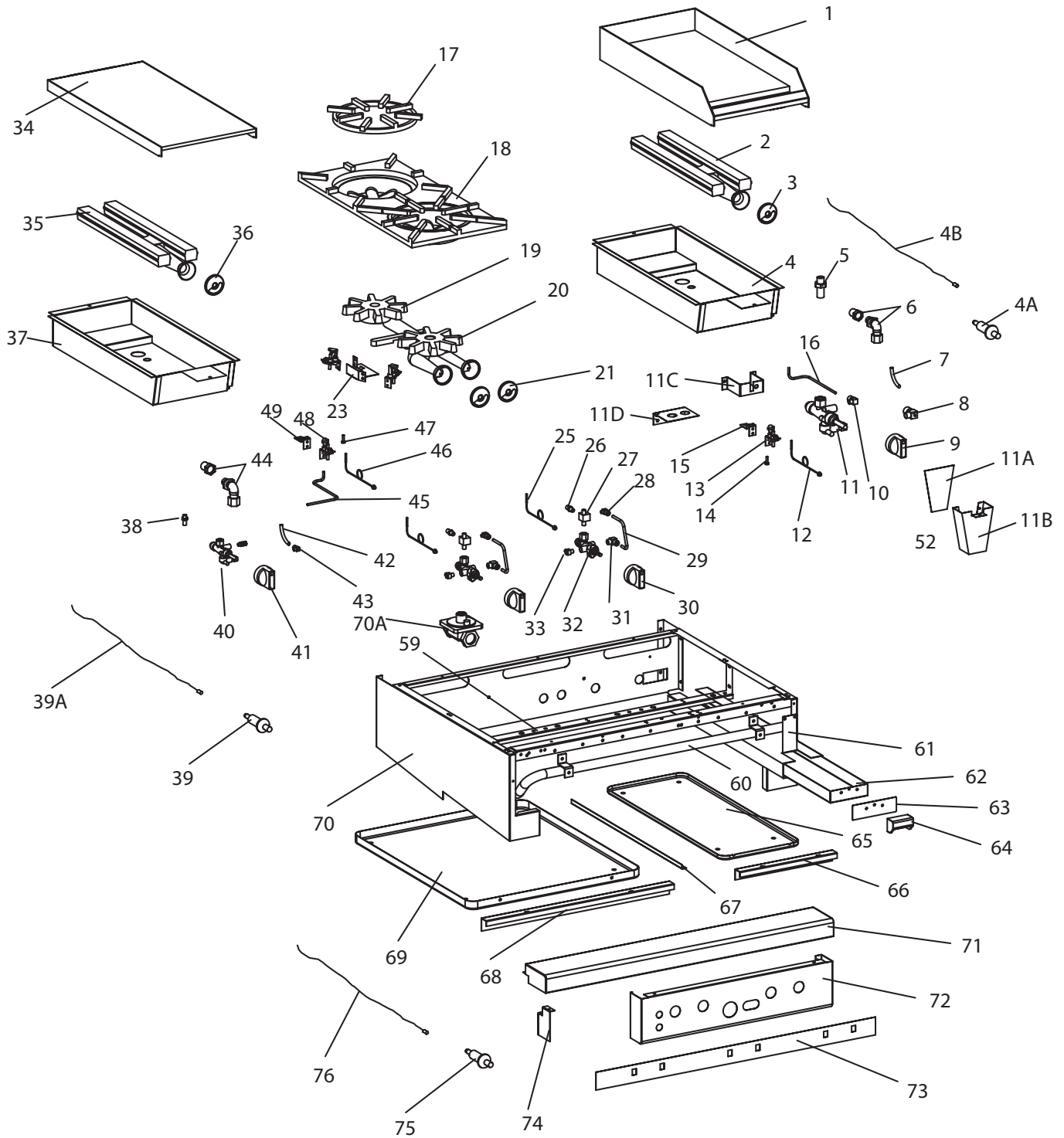
OPEN BURNER PILOTS FROM
SERIAL #9506RG1043



FROM SERIAL #0104RG190R



Open Burner Pilots.dwg



Surface Plate Section (ST).dwg

GARLAND PARTS IDENTIFICATION

Surface Plate Section

Models: ST28, ST286, ST288 & ST284

ITEM	PART#	DESCRIPTION	QUANTITY			CRITICAL	
			12"	24"	36"		
Griddle Section							
1	2411399	12" Griddle Assy RED: 1728199	1				
	2411398	24" Griddle Assy REF: 1727599		1			
	2411397	36" Griddle RH Assy REF: 1727899			1		
	2411396	36" Griddle RH Assy REF: 1727898			1		
2	101409	Griddle H Burner	1	2	3		
3	1028002	Air shutter	1	2	3		
4	2205399	Burner Box 12" S280	1		1		
	2203899	Burner Box 24" S280		1	1		
4a	1309201	Piezo Igniter #1244-41	1	2	3	C	
4b	2200204	48" High Tension Wire Leads	1	2	3		
5	2198102	Valve Connector Fitting 10MM	1	2	3		
6	G02486-47F	Orifice Fitting Natural Gas-North America Market	1	2	3	C	
	G02486-1.2MM	Orifice Fitting Propane Gas- North America Market	1	2	3	C	
	For International Orifice Contact Our Service Department						
7	2394300	Orifice Tube	1	2	3		
8	076050-80	Elbow Compression 1/4T x 1/8P	1	2	3		
9	2193496	46/7 Valve Dial	1	2	3		
10	G03674-2	Valve Pilot 3/16" Angle 90 Deg	1	2	3		
11	220199	F.F. Valve Master/Sentry	1	2	3		
11a	2398900	Grease chute Back H/S/ST280	1	2	3		
11b	2399000	Grease chute Front H/S/ST280	1	2	3		
11c	2188700	Orifice Support	1	2	3		
11d	2256000	Drain Hole Patch	1	2	3		
12	2200600	18" Thermocouple	1	2	3		
13	2200700	Pilot Right Hand		1	2	C	
	2200701	Pilot Left Hand	1	1	1	C	
14	2200702	Pilot Orifice# 32 (Natural)	1	2	3	C	
	2200703	Pilot Orifice# 23(Propane)	1	2	3	C	
	2200709	Pilot Orifice# 40 (Manufactured)	1	2	3	C	
	2200704	3/16" Compression Nut	1 Per Pilot				C
	2200705	Olive 3/16" Ball Sleeve					C
	2200706	Nut Thermo Retaining					C
	2200707	Nut Electrode					C
2200708	Electrode					C	
15	2270900	Pilot Bracket HT	1	2	3		
16	2394200	Pilot Tube	1	2	3		

Open Burner Section

ITEM	PART#	DESCRIPTION	QUANTITY					CRITICAL
			12"	24"	36"	40"	60"	
17	G6214	Top Ring Grate (No Pins)	2	4	6	8	10	
18	1726301	Cast Iron Top Grate	1	2	3	4	5	
19	2217301	Rear Burner 20K	1	2	3	4	5	
20	2217300	Front Burner 20K	1	2	3	4	5	
21	1028002	Ai Shutter	2	4	6	8	10	
Open Burner Pilot Up To Serial # 9506RG1042 (Page #19)								
P1	2200700	Pilot Right Hand	2	4	6	8	10	C
P2	2200701	Pilot Left Hand	2	4	6	8	10	C
P3	2200702	Pilot Orifice #32 (Natural)	2	4	6	8	10	C
	2200703	Pilot Orifice #23 (Propane)	2	4	6	8	10	C
	2200709	Pilot Orifice # 40 (Manufactured)	2	4	6	8	10	C

* NOT ILLUSTRATED

RECOMMENDED STOCK PARTS

GARLAND PARTS IDENTIFICATION

Surface Plate Section

Models: ST28, ST286, ST288 & ST284

ITEM	PART#	DESCRIPTION	QUANTITY					CRITICAL
			12"	24"	36"	40"	60"	
Open Burner Section								
P4	2200704	3/16" Compression Nut	2	4	6	8	10	C
P5	2200705	Olive 3/16" Ball Sleeve	2	4	6	8	10	C
P6	2200706	Nut Thermo Retaining	2	4	6	8	10	C
P7	2200707	Nut Electrode	2	4	6	8	10	C
P8	2200708	Electrode	2	4	6	8	10	C
P9	2377800	Pilot Bracket See Item #23						
Open Burner Pilot From Serial # 9506RG1043 (Drawing Available - Page #19)								
P10	2520800	Burner Pilot 0190-613	2	4	6	8	10	C
P11	2520801	Orifice Pilot 51 (NAT)	2	4	6	8	10	C
	2520802	Orifice Pilot 30 (LP)	2	4	6	8	10	C
	2520803	Orifice Pilot 62 (Manufacture Gas)	2	4	6	8	10	C
P12	2520804	Sleeve 3/16COMP #0.957.025"	2	4	6	8	10	C
P13	2200704	3/16" Compression Nut	2	4	6	8	10	C
P14	2200706	Nut Thermo Retaining	2	4	6	8	10	C
P15	2200707	Nut Electrode	2	4	6	8	10	C
P16	2200708	Electrode	2	4	6	8	10	C
P17	2521100	Bracket Open Burner Pilot						
From Serial # 0104RG190R (Restaurant Duty) (Drawing Available - Page #19)								
P18	3040800	Pilot Shield						
P19	2521101	Pilot Bracket						
P20*	2324001	Pilot Tubing Front						
P21*	2324100	Pilot Tube - Rear Burner Pilot						
23	2377800	Pilot Bracket	1	2	3	4	5	
25	2200602	24" Thermocouple (Rear)	1	2	3	4	5	
	2200600	18" Thermocouple (Front)	1	2	3	4	5	
26	M8-40	Small Orifice 40 Size Natural Gas - North American Market	2	4	6	8	10	C
	M8-55	Small Orifice 55 Size Propane - North American Market	2	4	6	8	10	C
For International Orifice Contact Our Service Department								
27	2325000	Orifice Block	2	4	6	8	10	
28	076050-80	Elbow Compression 1/4T x 1/8P	2	4	6	8	10	
29	2323900	Tube - Valve To Block	2	4	6	8	10	
30	2193495	Sentry Dial (ST280 Open Burner)	2	4	6	8	10	
31	076050-23	Elbow Compression 1/4Tx1/4Cc	2	4	6	8	10	
32	2187100	Flame Failure Valve Open Top	2	4	6	8	10	
33	G03674-2	Valve - Pilot 3/16" Angle 90 Deg	2	4	6	8	10	
"S/ST __ E" (Electric Spark Ignition (Quantity for Standard Units Only)								
34	2144000	240 Volt Spark Gener 4 Outlet						C
	2144001	240 Volt Spark Gener 2 Outlet						C
	2144002	120 Volt Spark Gener 4 Outlet						C
	2144003	120 Volt Spark Gener 2 Outlet						C
Model "ST __ E" (Electric Spark Ignition All Burners)								
35*	G03053-1	Momentary Switch Push Button NOTE: Use Service Kit 4530075.						
	4530075	Kit - Momentary Switch NOTE: Kit includes a momentary switch, insulators, terminal tabs, and installation instructions. See Bulletin# GAR-05-11-AIC .						
36*	3064800	Decorative Dress Nut APEM #450						

* NOT ILLUSTRATED

RECOMMENDED STOCK PARTS

GARLAND PARTS IDENTIFICATION

Surface Plate Section

Models: ST28, ST286, ST288 & ST284

ITEM	PART#	DESCRIPTION	QUANTITY					CRITICAL
			12"	24"	36"	40"	60"	
Hot Top Section								
34	2395099	Hot Top Assembly 12"	1	2	3	4	5	
35	1014901	Griddle H Burner	1	2	3	4	5	
36	1028002	Air Shutter	1	2	3	4	5	
37	2205399	Burner Box 12" S280	1	2	3	4	5	C
38	2198102	Valve Connector Fitting 10 MM	1	2	3	4	5	
39	1309201	Piezo Ignitor #1244-41	1	2	3	4	5	
39a	2200204	48" High Tension Wire Leads	1	2	3	4	5	
40	2200199	F. F. Valve Master / Sentry	1	2	3	4	5	
41	2193496	46/7 Valve Dial	1	2	3	4	5	
42	2394300	Orifice Tube	1	2	3	4	5	
43	076050-23	Elbow Compression 1/4T x 1/4CC	1	2	3	4	5	
44	G02486-47F	Orifice Fitting Natural Gas-North America Market	1	2	3	4	5	C
	G02486-1.2MM	Orifice Fitting Propane 1.2MM Gas-North America Market	1	2	3	4	5	C
	For International Orifice Contact Our Service Department							
45	2394100	Hot/Top Griddle Pilot Tube	1	2	3	4	5	
46	2200600	18" Thermocouple						
48	2200799	Pilot Assembly R/H NLA _Purchase Separate Drawing Available Under Open Burner Pilots - Page 19						
	2200700	Pilot Right Hand	1	2	3	4	5	C
	2200702	Pilot Orifice# 32 (Natural)	1	2	3	4	5	C
	2200703	Pilot Orifice# 23(Propane)	1	2	3	4	5	C
	2200709	Pilot Orifice# 40 (Manufactured)	1	2	3	4	5	C
	2200704	3/16" Compression Nut	1	2	3	4	5	C
	2200705	Olive 3/16" Ball Sleeve	1	2	3	4	5	C
	2200706	Nut Thermo Retaining	1	2	3	4	5	C
	2200707	Nut Electrode	1	2	3	4	5	C
2200708	Electrode	1	2	3	4	5	C	
49	2270900	Pilot Bracket HT	1	2	3	4	5	

ITEM	PART#	DESCRIPTION	QUANTITY				DATE		CRITICAL	
			ST28	ST286	ST288	ST284	FROM	UP TO		
59	2354400	Burner Rest - H286	1	1	2	2				
60	9002399	Manifold Assembly	1							
	1087197	Manifold - H284				1				
	1085898	Manifold - H286		1						
	9002499	Manifold Assembly			1					
61	2376900	Grease Drawer Cover	Specify Griddle Size							
62	2377499	Grease Drawer Assembly								
63	2377500	Grease Drawer Front								
64	2193000	Grease Tray Handle								
65	2378303	Drip Handle 12 3/16"		1		1				
66	1090105	Drip Pan Small		1		1				
67	1414700	Drip Pan Guide		1		2				
68	2378301	Drip Pan Handles 23 9/16"	1	1	2	2				
69	1090006	Drip Pan Large	1	1	2	2				

* NOT ILLUSTRATED

RECOMMENDED STOCK PARTS

GARLAND PARTS IDENTIFICATION

Surface Plate Section

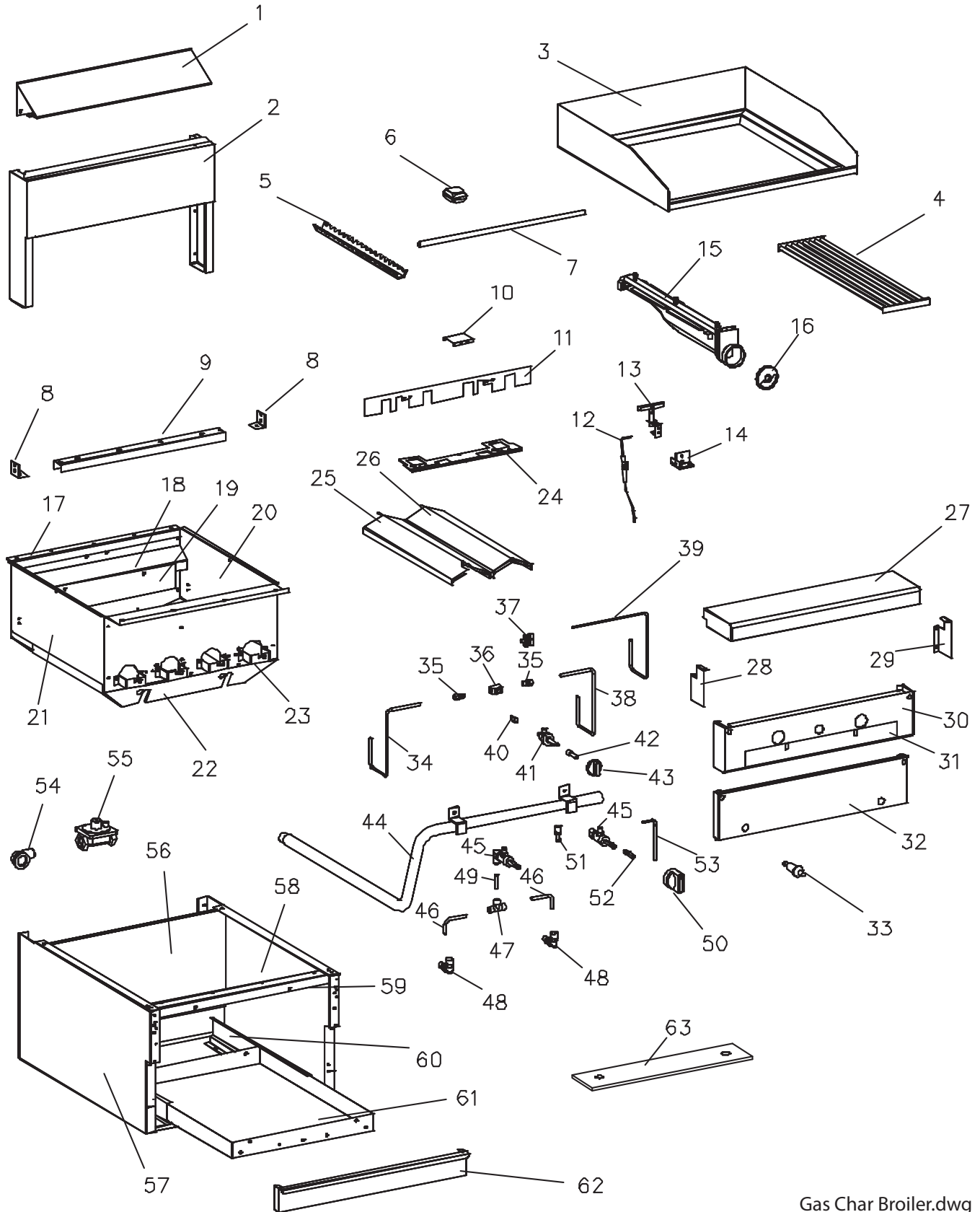
Models: ST28, ST286, ST288 & ST284

ITEM	PART#	DESCRIPTION	QUANTITY				DATE		CRITICAL
			ST28	ST286	ST288	ST284	FROM	UP TO	
70	1731203	Body Side Left S/S		1				24-May-00	
	1981109	Body Side Left S/S		1			24-May-00		
	1081108	Body Side Left S/S	1		1	1	24-May-00		
	2589200	Burner Box Side Left	1	1	1	1	24-May-00		
	1731204	Body Side Right S/S		1				24-May-00	
	1081104	Body Side Right S/S		1			24-May-00		
	1081113	Body Side Right S/S	1		1	1	24-May-00		
	2589201	Burner Box Side Right	1	1	1	1	24-May-00		
70a	2127500	Gas Regulator Propane 10"	1	1	1	1			C
	2127502	Gas Regulator Natural 4.5"	1	1	1	1			C
71	2375000	Front Rail F/S-ST28	1						
	2375001	Front Rail 36" F/S-ST286		1					
	2375002	Front Rail F/S-ST288			1				
	2375003	Front Rail F/S-ST284				1			
72	2376860	Control Panel F/ST28	1						
	2376850	Control Panel		1					
	2376853	Control Panel ST286RC STD							
	2376870	Control Panel			1				
	2376880	Control Panel				1			
	3011802	Control Panel ST282							
73	2378000	Panel Overlay ST28	1						
	2378001	Panel Overlay ST286		1					
	2378002	Panel Overlay ST288			1				
	2378003	Panel Overlay ST284				1			
74	2374700	Front Rail Bracket F/Sentry Right	1	1	1	1			
	2374701	Front Rail Bracket H	1	1	1	1			
75	1309201	Piezo Igniter #1244-41	1	1	2	2			
76	2200204	48" High Tension Wire Leads	1	1	2	2			

* NOT ILLUSTRATED

RECOMMENDED STOCK PARTS

NOTES



Gas Char Broiler.dwg

GARLAND PARTS IDENTIFICATION

Gas Char Broiler

Models: S280 - 18B, 24B, 30B, & 36B

ITEM	PART #	DESCRIPTION	QUANTITY				DATE		CRITICAL
			18B	24B	30B	36B	FROM	UP TO	
1	2482000	Backguard Top	1						
	2482001	Backguard Top		1					
	2482002	Backguard Top			1				
	2482003	Backguard Top				1			
2	2481000	Backguard Front 18"	1						
	2481001	Backguard Front 24"		1					
	2481002	Backguard Front 30"			1				
	2481003	Backguard Front 36"				1			
3	2483197	Main Top 18" S/S	1						
	2483196	18" Standard Main Top	1						
	2483199	Main Top 24" S/S		1					
	2483198	24" Standard Main Top		1					
	2483195	Main Top 30" S/S			1				
	2483194	30" Standard Main Top			1				
	2483193	Main Top 36" S/S				1			
4^	4519965	Broiler Rack Assembly – Photo At The End	3	4	5	6			
	G03484-01-5	Broiler Rack Assembly Diamond – Optional	3	4	5	6			
5	G02646-2-9	Porcelain Support	3	4	5	6			
6	2088000	Pre-Cartoned Briquettes 17 LB	1	1					C
	2088001	Pre-Cartoned Briquettes 25 LB			1	1			C
	G02342-1	Briquettes 20 Lb							C
7	G03866-5-5	Steel Rod 15.00"	14				02-Jan-90		
	G03866-1-5	Steel Rod 21.00"		14			02-Jan-90		
	G03866-2-5	Steel Rod 27.00"			14		02-Jan-90		
	G03866-3-5	Steel Rod 33.00"				14	02-Jan-90		
8	G02639-1-6	Burner Support Bracket	2	2	2	2			
9	G02638-1-6	Burner Rest	1						
	G02638-2-6	Burner Rest		1					
	G02638-3-6	Burner Rest			1				
	G02638-5-6	Burner Rest				1			
10	2517800	Pilot Cover	2	2	3	3			
11	G02641-4-8	Burner Shield	1						
	G02641-1-6	Burner Shield		1					
	G02643-1-6	Burner Shield			1				
	G02642-1-6	Burner Shield				1			
12	G03151-1	Piezo Electrode 16"	2	2	3	3			C
13	2206400	Pilot Burner Natural Export / France / UK / Aus / Domestic	2	2	3	3			C
	2206401	Pilot Burner Propane Export / France / UK / Aus / Domestic	2	2	3	3			C
14	2438800	Pilot Mounting Bracket	2	2	3	3			
15	1090500	Griddle Burner	3	4	5	6			C
16	1028002	Air Shutter	3	4	5	6			C
17	2286100	Back Liner F/G80-18B	1						
	G02621-1-6	Back Liner		1					
	G02621-2-6	Back Liner				1			
	G02621-3-6	Back Liner			1				
18	2484900	Back Spacer		1					
	2484901	Back Spacer			1				
	2484902	Back Spacer				1			
	2484903	Back Spacer	1						

* NOT ILLUSTRATED

^ PHOTO AT THE END

RECOMMENDED STOCK PARTS

GARLAND PARTS IDENTIFICATION

Gas Char Broiler

Models: S280 - 18B, 24B, 30B, & 36B

ITEM	PART #	DESCRIPTION	QUANTITY				DATE		CRITICAL
			18B	24B	30B	36B	FROM	UP TO	
19	2424700	Burner Hold Down	1						
	2424701	Burner Hold Down		1					
	2424702	Burner Hold Down			1				
	2424703	Burner Hold Down				1			
20	2484800	Hopper Side R/H		1					
	2484802	Hopper Side R/H				1			
	2484804	Hopper Side R/H			1				
	2484806	Hopper Side R/H	1						
21	2484801	Hopper Side L/H		1					
	2484803	Hopper Side L/H				1			
	2484805	Hopper Side L/H			1				
	2484807	Hopper Side R/H	1						
22	2484700	Front Liner	1						
	2484701	Front Liner		1					
	2484702	Front Liner			1				
	2484703	Front Liner				1			
23	G02640-1-6	Orifice Support	3	4	5	6			
24	2511800	Radiation Shield Support	1						
	2511801	Radiation Shield Support		1					
	2511802	Radiation Shield Support			1				
	2511803	Radiation Shield Support				1			
25	G02637-03-6	Centre Radiation Shield Ass'y	2	2	3	3			
26	G02637-02-6	Centre Radiation Shield Ass'y		1	1	2			
27	2375000	Front Rail F/S-ST28		1					
	2375001	Front Rail 36" F/S-ST286				1			
	2375006	Front Rail	1	1					
	2375007	Front Rail			1				
28	2374701	Front Rail Bracket H	1	1	1	1			
29	2374700	Front Rail Bracket F/Sentry Right	1	1	1	1			
30	2492200	Control Panel	1						
	2492201	Control Panel		1					
	2492202	Control Panel			1				
	2492203	Control Panel				1			
31	2493100	Overlay	1						
	2493101	Overlay		1					
	2493102	Overlay			1				
	2493103	Overlay				1			
32	2485000	Lower Front Panel	1						
	2485001	Lower Front Panel		1					
	2485002	Lower Front Panel			1				
	2485003	Lower Front Panel				1			
33	1309201	Piezo Igniter #1244-41	2	2	3	3			C
34	2518100	Pilot Tube	1	1	1	1			
35	G6809	Gum Valve 1/4	2	2	3	3			C
36	076029-54	Pipe Tee 1/8M 101A	1	1	1	1			
37	G6809	Gum Valve 1/4	2	2	3	3			C
38	2518101	Pilot Tube	1	1	1	1			
39	2518102	Pilot Tube			1				
	2518103	Pilot Tube				1			
40	1086000	1/8 NPT Adapter	1	1	1	1			
41	2124500	Push & Turn Pilot Shut-Off Valve	1	1	1	1			

* NOT ILLUSTRATED

^ PHOTO AT THE END

RECOMMENDED STOCK PARTS

GARLAND PARTS IDENTIFICATION

Gas Char Broiler

Models: S280 - 18B, 24B, 30B, & 36B

ITEM	PART #	DESCRIPTION	QUANTITY				DATE		CRITICAL
			18B	24B	30B	36B	FROM	UP TO	
42	2430402	Valve Extension	1	1	1	1			
43	2385900	Pilot Knob	1	1	1	1			
44	2490799	Manifold Assembly	1						
	2485399	Manifold Assembly		1					
	2490899	Manifold Assembly			1				
	2490999	Manifold Assembly				1			
45	G02755-1	Valve- Hilo C/W 90 Deg Elbow	2	2	3	3		30-Oct-95	C
	2517700	HI - LO Valve	2	2	3	3	30-Oct-95	01-Aug-00	C
	G0105-XX	HI-LO Valve Less Hood	2	2	3	3	01-Aug-00		C
46	2518000	Tube	4	4	6	6			
47	G02569-1	Compression Tee 1/4" x 1/4" x 1/4"	1	2	2	3			
48	G02486-47F	Orifice Fitting Domestic - Natural	3	4	5	6			C
	G02486-56F	Orifice Fitting #56 Domestic -Propane	3	4	5	6			C
	G02486-51F	Orifice Fitting Natural CE Mark -Natural Gas	3	4	5	6			C
	G02486-56F	Orifice Fitting #56 CE Mark -Propane Gas	3	4	5	6			C
49	2517900	Tube Valve to Tee	2	2	3	3			
50	2193487	Sentry Broiler Dial	2	2	3	3			C
51	G02251-1	Pressure Test Spigot	1	1	1	1			
52	2430401	Valve Extension	2	3	4	5			
53	2518001	Burner Tube	1	1					
54	G01475-2	Elbow Street 3/4" NPT 90Deg	1	1	1	1			
55	2127503	Regulator Natural	1	1	1	1			C
	2127500	Gas Regulator Propane 10"	1	1	1	1			C
56	2253400	Main Back 18"	1						
	2031500	Main Back		1					
	2031501	Main Back			1				
	2031502	Main Back				1			
58	2484699	Body Side Ass'y R/H S/S	1	1	1	1			
	2484697	Body Side Ass'y R/H Painted	1	1	1	1			
57	2484698	Body Side Ass'y L/H S/S	1	1	1	1			
	2484696	Body Side Ass'y L/H Painted Obs	1	1	1	1			
59	2494300	Front Channel	1						
	2494301	Front Channel		1					
	2494302	Front Channel			1				
	2494303	Front Channel				1			
60	G02635-1-7	Drip Tray Slide	2	2	4	4			
61	G02633-1-8	Drip Tray 18"		1					
	G02633-2-8	Drip Tray 15.25"	1		1	2			
	G02633-3-8	Drip Tray 10"			1				
62	2489503	Grease Drawer Front 18"	1		1	2			
	2489500	Grease Drawer Front 24"		1					
	2489501	Grease Drawer Front 12"			1				
63	2285998	Leg Channel Assembly 18"	2						
	2285997	Leg Channel Assembly 24"		2					
	2285996	Leg Channel Assembly 30"			2				
	2285995	Leg Channel Assembly 36"				2			
64*	2502499	Splashguard Assy	1						
	2502498	Splashguard Assy 24"		1					
	2502497	Splashguard Assy 30"			1				
	2502496	Splashguard Assy 36"				1			
65*	G02685-01-8	Rack Lifter Assembly	1	1	1	1			
66*	G02706-1	Porcelain Support Wire	3	4	5	6			

* NOT ILLUSTRATED

^ PHOTO AT THE END

RECOMMENDED STOCK PARTS

GARLAND PARTS IDENTIFICATION

Gas Char Broiler

Models: S280 - 18B, 24B, 30B, & 36B

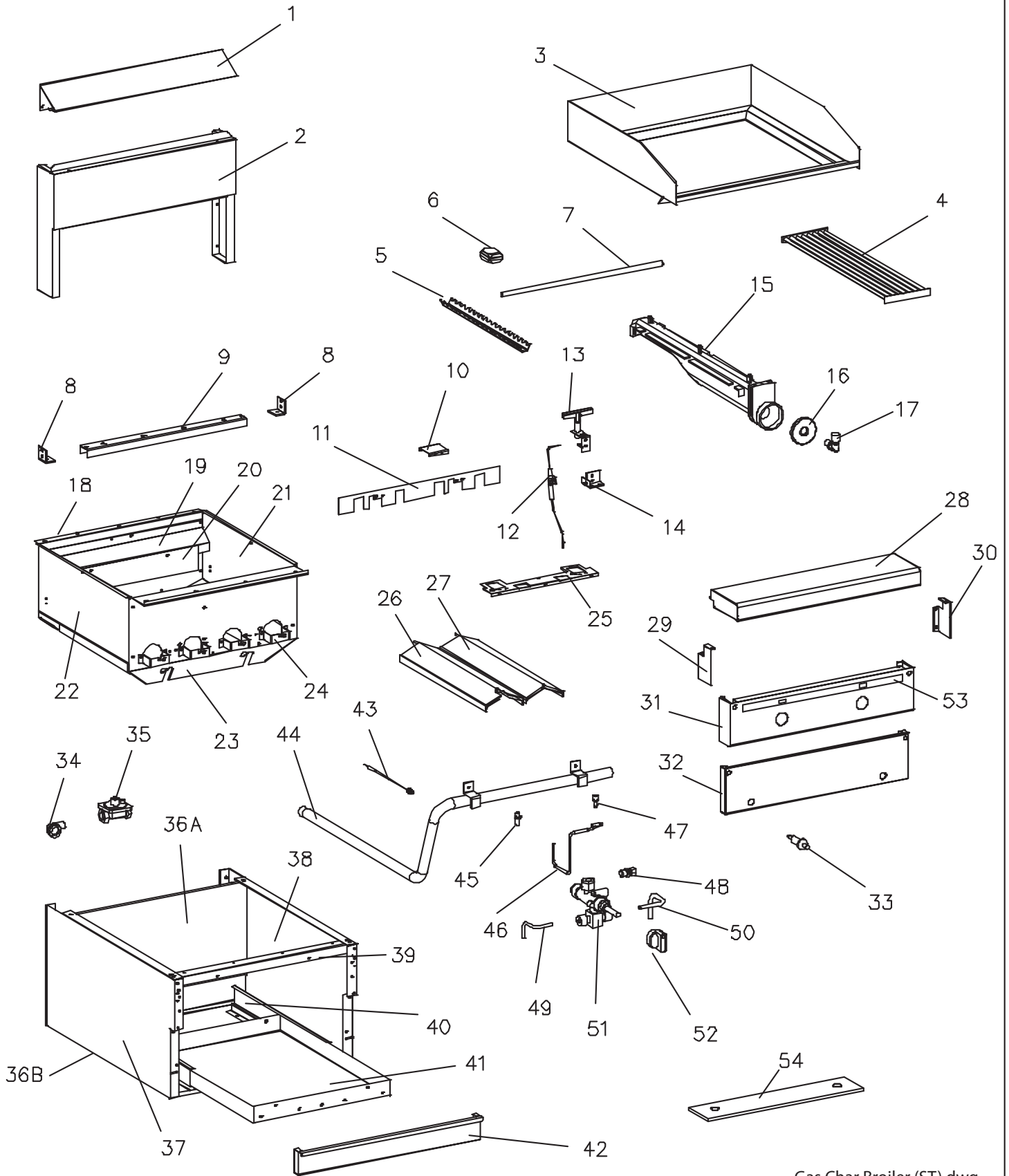
ITEM	PART #	DESCRIPTION	QUANTITY				DATE		CRITICAL
			18B	24B	30B	36B	FROM	UP TO	
67*	2532200	Side Radiation Shield	2	2	2	2			
68*	3077101	Garland Nameplate	1	1	1	1			
69*	GS1160	Leg Type G80/G22/E22							
70*	F157	Leveling Bolt-3/8-16X1 1/16"	4	4	4	4			

* NOT ILLUSTRATED

^ PHOTO AT THE END

RECOMMENDED STOCK PARTS

NOTES



Gas Char Broiler (ST).dwg

GARLAND PARTS IDENTIFICATION

Gas Char Broiler

Models: ST280 - 18B, 24B, 30B, & 36B

ITEM	PART #	DESCRIPTION	QUANTITY				DATE		CRITICAL
			18B	24B	30B	36B	FROM	UP TO	
1	2482000	Backguard Top	1						
	2482001	Backguard Top		1					
	2482002	Backguard Top			1				
	2482003	Backguard Top				1			
2	2481000	Backguard Front 18"	1						
	2481001	Backguard Front 24"		1					
	2481002	Backguard Front 30"			1				
	2481003	Backguard Front 36"				1			
3	2483197	Main Top 18" S/S	1						
	2483196	18" Standard Main Top	1						
	2483199	Main Top 24" S/S		1					
	2483198	24" Standard Main Top		1					
	2483195	Main Top 30" S/S			1				
	2483194	30" Standard Main Top			1				
	2483193	Main Top 36" S/S				1			
4^	4519965	Broiler Rack Assembly – Photo At The End	3	4	5	6			
	G03484-01-5	Broiler Rack Assembly Diamond – (Optional)	3	4	5	6			
5	G02646-2-9	Porcelain Support	3	4	5	6			
6	2088000	Pre-Cartoned Briquettes 17 Lb	1	1					C
	2088001	Pre-Cartoned Briquettes 25 Lb			1	1			C
	G02342-1	Briquettes 20 Lb							C
7	G03866-5-5	Steel Rod 15.00"	14				2-Jan-90		
	G03866-1-5	Steel Rod 21.00"		14			2-Jan-90		
	G03866-2-5	Steel Rod 27.00"			14		2-Jan-90		
	G03866-3-5	Steel Rod 33.00"				14	2-Jan-90		
8	G02639-1-6	Burner Support Bracket	2	2	2	2			
9	G02638-1-6	Burner Rest		1					
	G02638-2-6	Burner Rest				1			
	G02638-3-6	Burner Rest			1				
	G02638-5-6	Burner Rest	1						
10	2517800	Pilot Cover	2	2	3	3			
11	G02641-4-8	Burner Shield	1					29-Oct-96	
	2533600	Burner Shield	1				29-Oct-96		
	G02641-1-6	Burner Shield		1					
	G02643-1-6	Burner Shield			1				
	G02642-1-6	Burner Shield				1			
12	G03151-1	Piezo Electrode 16"	2	2	3	3			C
13	2206400	Pilot Burner Natural Export / France / UK / Aus / Domestic	2	2	3	3			C
	2206401	Pilot Burner Propane Export / France / UK / Aus / Domestic	2	2	3	3			C
14	2438800	Pilot Mounting Bracket	2	2	3	3			
15	1090500	Griddle Burner	3	4	5	6			C
16	1028002	Air Shutter	3	4	5	6			C
17	G02486-50F	Orifice Fitting 50F Domestic - Natural		4		6			C
	G02486-56F	Orifice Fitting 56F Domestic -Propane	3		5				C
	G02486-53F	Orifice Fitting # 53 CE Mark - Natural Gas	3	4	5	6			C
	G02486-61F	Orifice Fitting #61 CE Mark - Propane Gas	3	4	5	6			C
18	2286100	Back Liner F/G80-18B	1						
	G02621-1-6	Back Liner		1					
	G02621-2-6	Back Liner				1			
	G02621-3-6	Back Liner			1				

* NOT ILLUSTRATED

^ PHOTO AT THE END

RECOMMENDED STOCK PARTS

GARLAND PARTS IDENTIFICATION

Gas Char Broiler

Models: ST280 - 18B, 24B, 30B, & 36B

ITEM	PART #	DESCRIPTION	QUANTITY				DATE		CRITICAL
			18B	24B	30B	36B	FROM	UP TO	
19	2484900	Back Spacer		1					
	2484901	Back Spacer			1				
	2484902	Back Spacer				1			
	2484903	Back Spacer	1						
20	2424700	Burner Hold Down	1						
	2424701	Burner Hold Down		1					
	2424702	Burner Hold Down			1				
	2424703	Burner Hold Down				1			
21	2484800	Hopper Side R/H		1					
	2484802	Hopper Side R/H				1			
	2484804	Hopper Side R/H			1				
	2484806	Hopper Side R/H	1						
22	2484801	Hopper Side L/H		1					
	2484803	Hopper Side L/H				1			
	2484805	Hopper Side L/H			1				
	2484807	Hopper Side Lt 18"	1						
23	2484700	Front Liner	1						
	2484701	Front Liner		1					
	2484702	Front Liner			1				
	2484703	Front Liner				1			
24	G02640-1-6	Orifice Support	3	4	5	6			
25	2511800	Radiation Shield Support	1						
	2511801	Radiation Shield Support		1					
	2511802	Radiation Shield Support			1				
	2511803	Radiation Shield Support				1			
26	G02637-03-6	Centre Radiation Shield Ass'y	2	2	3	3			
27	G02637-02-6	Centre Radiation Shield Ass'y		1	1	2			
28	2375000	Front Rail F/S-ST286		1					
	2375001	Front Rail 36" F/S-ST286				1			
	2375006	Front Rail	1	1					
	2375007	Front Rail			1				
29	2374701	Front Rail Bracket H	1	1	1	1			
30	2374700	Front Rail Bracket F/Sentry	1	1	1	1			
31	2492100	Control Panel	1						
	2492101	Control Panel		1					
	2492102	Control Panel			1				
	2492103	Control Panel				1			
32	2485000	Lower Front Panel	1						
	2485001	Lower Front Panel		1					
	2485002	Lower Front Panel			1				
	2485003	Lower Front Panel				1			
33	1309201	Piezo Igniter #1244-41	2	2	3	3			C
34	G01475-2	Elbow Street 3/4" NPT 90 Deg	1	1	1	1			
35	2127503	Regulator Natural	1	1	1	1			C
	2127500	Gas Regulator Propane 10" Domestic	1	1	1	1			C
36A	2253400	Main Back 18"	1						
	2031500	Main Back		1					
	2031501	Main Back			1				
	2031502	Main Back				1			
36B	G02615-18-7	Main Bottom 18"	1						
	G02615-24-7	Main Bottom 24"		1					
	G02615-30-7	Main Bottom 30"			1				
	G02615-36-7	Main Bottom 36"				1			
37	2484698	Body Side Ass'y L/H S/S	1	1	1	1			
	2484696	Body Side Ass'y L/H Painted Obs	1	1	1	1			

* NOT ILLUSTRATED

^ PHOTO AT THE END

RECOMMENDED STOCK PARTS

GARLAND PARTS IDENTIFICATION

Gas Char Broiler

Models: ST280 - 18B, 24B, 30B, & 36B

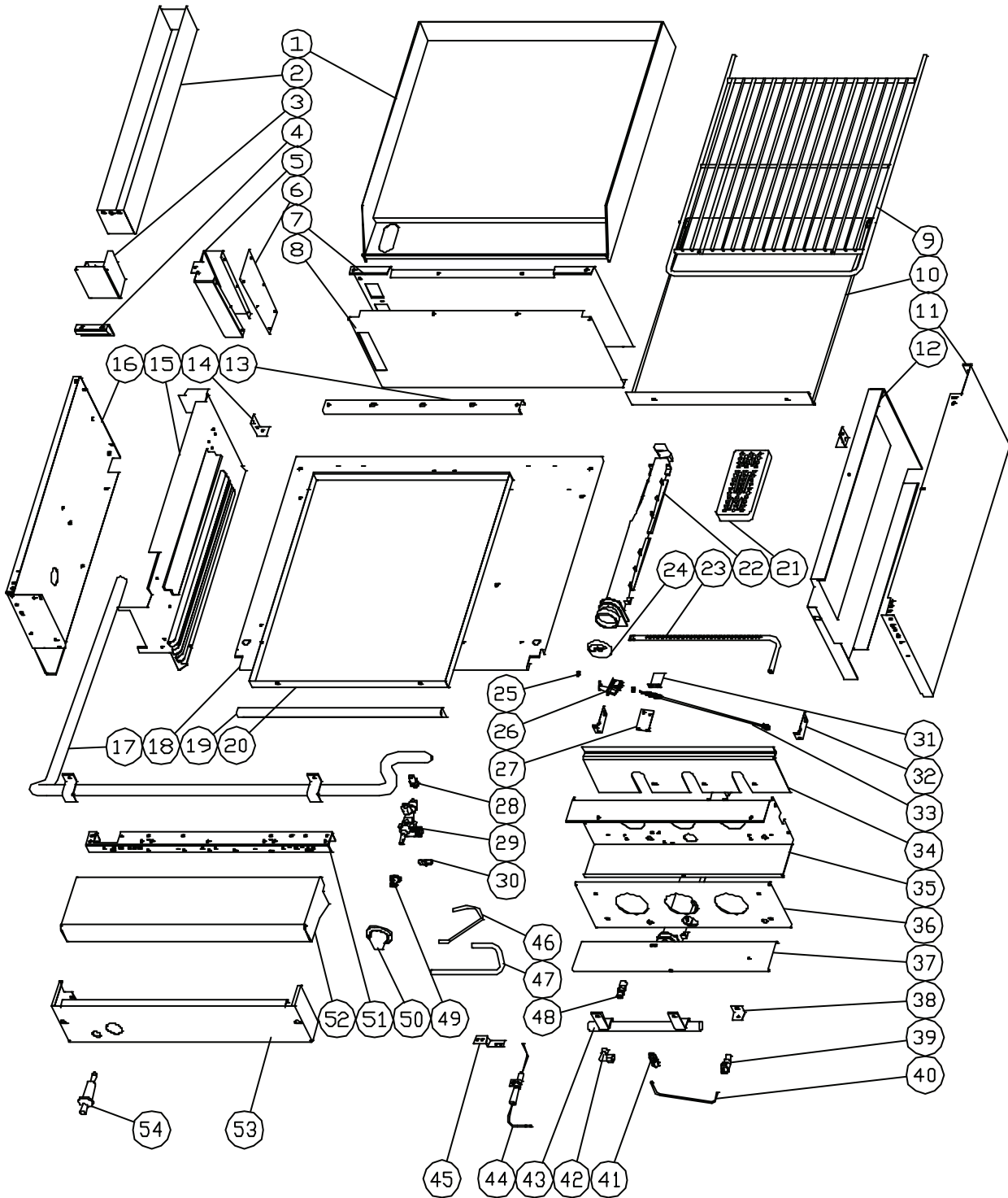
ITEM	PART #	DESCRIPTION	QUANTITY				DATE		CRITICAL
			18B	24B	30B	36B	FROM	UP TO	
38	2484699	Body Side Ass'y R/H S/S	1	1	1	1			
	2484697	Body Side Ass'y R/H Painted Obs	1	1	1	1			
39	2494300	Front Channel	1						
	2494301	Front Channel		1					
	2494302	Front Channel			1				
	2494303	Front Channel				1			
40	G02635-1-7	Drip Tray Slide	2	2	4	4			
41	G02633-1-8	Drip Tray 18"		1					
	G02633-2-8	Drip Tray 15.25"	1		1	2			
	G02633-3-8	Drip Tray 10"			1				
42	2489503	Grease Drawer Front 18"	1		1	2			
	2489500	Grease Drawer Front 24"		1					
	2489501	Grease Drawer Front 12"			1				
43	2321900	Thermocouple	2	2	3	3			
44	2490799	Manifold Assembly	1						
	2485399	Manifold Assembly		1					
	2490899	Manifold Assembly			1				
	2490999	Manifold Assembly				1			
45	2198102	Valve Connector Fitting 10 MM	2	2	3	3			
46	2502700	Pilot Tube	2	2	3	3			
47	G02251-1	Pressure Test Spigot	1	1	1	1			C
48	G6809	Gum Valve 1/4	2	2	3	3			C
49	2502601	Tube Valve to Burner L/h	2	2	3	3			
50	2502600	Tube Valve to Burner R/h	2	2	3	3			
51	2200196	Flame Failure Valve Assembly	1	2	2	3			C
	2200199	F.F. Valve Master/Sentry	1		1				C
52	2193496	Sentry Dial (Ht/Grid/Brol)	2	2	3	3			
53	2493000	Overlay	1						
	2493001	Overlay		1					
	2493002	Overlay			1				
	2493003	Overlay				1			
54	2285998	Leg Channel Assembly 18'	2						
	2285997	Leg Channel Assembly 24"		2					
	2285996	Leg Channel Assembly 30"			2				
	2285995	Leg Channel Assembly 36"				2			
55*	G02685-01-8	Rack Lifter Assembly	1	1	1	1			
56*	G02706-1	Porcelain Support Wire	3	4	5	6			
57*	2155202	M8 x 1 Brass Nut	4	4	6	6			
58*	2321901	Thermocouple 16"	2	2	3	3			
59*	2502499	Splashguard Assy	1						
	2502498	Splashguard Assy 24"		1					
	2502497	Splashguard Assy 30"			1				
	2502496	Splashguard Assy 36"				1			
60*	2532200	Side Radiation Shield	2	2	2	2			
61*	3077101	Garland Nameplate	1	1	1	1			
62*	GS1160	Leg Type G80/G22/E22							
63*	F157	Leveling Bolt-3/8-16x1 1/16"	4	4	4	4			

* NOT ILLUSTRATED

^ PHOTO AT THE END

RECOMMENDED STOCK PARTS

Manufactured from S/N 0604100142343



4520636

**GAS RAISED GRIDDLE BROILER MODELS ST282 - ST283 - S282 - S283
MANUFACTURED FROM S/N 0604100142343**

ITEM	PART #	DESCRIPTION	QUANTITY	CRITICAL
			ST282-ST283 S282-S283	
1	4519976	Griddle Assembly	1	
2	1729501	Grease Drawer 283	1	
3	3018100	Handle Griddle Drawer	1	
4	1728802	Grease Drawer Handle	1	
5	4520395	Grease Chute Front	1	
6	4520396	Grease Chute Back	1	
7	2705601	Griddle Back Liner	1	
8	2706101	Broiler Box Back	1	
9	1090600	Broiler Rack - H283	1	
10	1090797	Broil Rck Drip Shield	1	
11	3037400	Broiler/Burner Box Side Rt Ss	1	
12	1081999	Broiler Side Liner Rt - H283	1	
13	1085700	Broiler Burner Rest - H283	1	
14	1081905	Griddle Burner Rest Support	2	
15	1081997	Broiler Side Liner Lt - H283	1	
16	1084707	Broiler Box Side Lt	1	
17	4519981	Manifold Assembly	1	
18	1392200	Bb Bottom H284	1	
19	1728825	Drip Pan Handle St283/2	1	
20	1728824	Drip Tray St283/2	1	
21	1091000	Ceramic Radiant	8	
22	1090500	Broiler Burner (G80)	3	
23	4519967	Lighter Burner	1	
24	1028002	Air Shutter	3	
25	2155202	M8 X 1 Brass Nut	2	
26	4520037	2Ch-1 Pilot Nat	1	C
	4520393	2Ch-1 Pilot Pro	1	C
27	4519977	Pilot Mounting Bracket	1	
28	2198100	12mm Valve Connector (Oven)	1	
29	2187099	Flame Failure Valve Top	1	C
30	4519980	Flame Shield	1	
31	G6809	Gum Valve 1/4	1	
32	4519979	Lighter Burner Mounting Bracket	2	
33	2321901	Thermocouple 16In	1	C
34	2384500	Broiler Burner Shield	1	
35	4519971	Broiler Valve Shield	1	
36	4519970	Heatshield Front	2	
37	3012100	Sec. Bottom Heat Shield	1	
38	4519978	Lighter Burner Injector Support Bracket	1	
39	4519966	Lighter Burner Orifice	1	
40	4519983	Tube Submanifold-Lighter Burner	1	
41	1086199	Gum Valve 1/8	1	
42	G02352-1	Elbow 3/8 NPT To 7/16CC 69-7C	1	
43	4519968	Secondary Manifold Pipe Assy	1	
44	G03151-2	Piezo Electrode-Use G03151-1	1	
45	4519993	Electrode Mounting Bracket	1	C
46	4519984	Tube Valve-Pilot	1	
47	4519982	Tube Valve-Submanifold	1	
48	21045XX	Orifice Fitting CE Nat (#50)	3	
	21045XX	Orifice Fitting CE Pro (#59)	3	
	21045XX	Orifice Fitting Australia Nat (#50)	3	
	21045XX	Orifice Fitting Australia Pro (#59)	3	
	21045XX	Orifice Fitting USA/Can Nat (#50)	3	
	21045XX	Orifice Fitting USA/Can Pro (#59)	3	
49	3043202	Hub	1	
50	3043100	Knob Handle	1	

* NOT ILLUSTRATED

RECOMMENDED STOCK PARTS

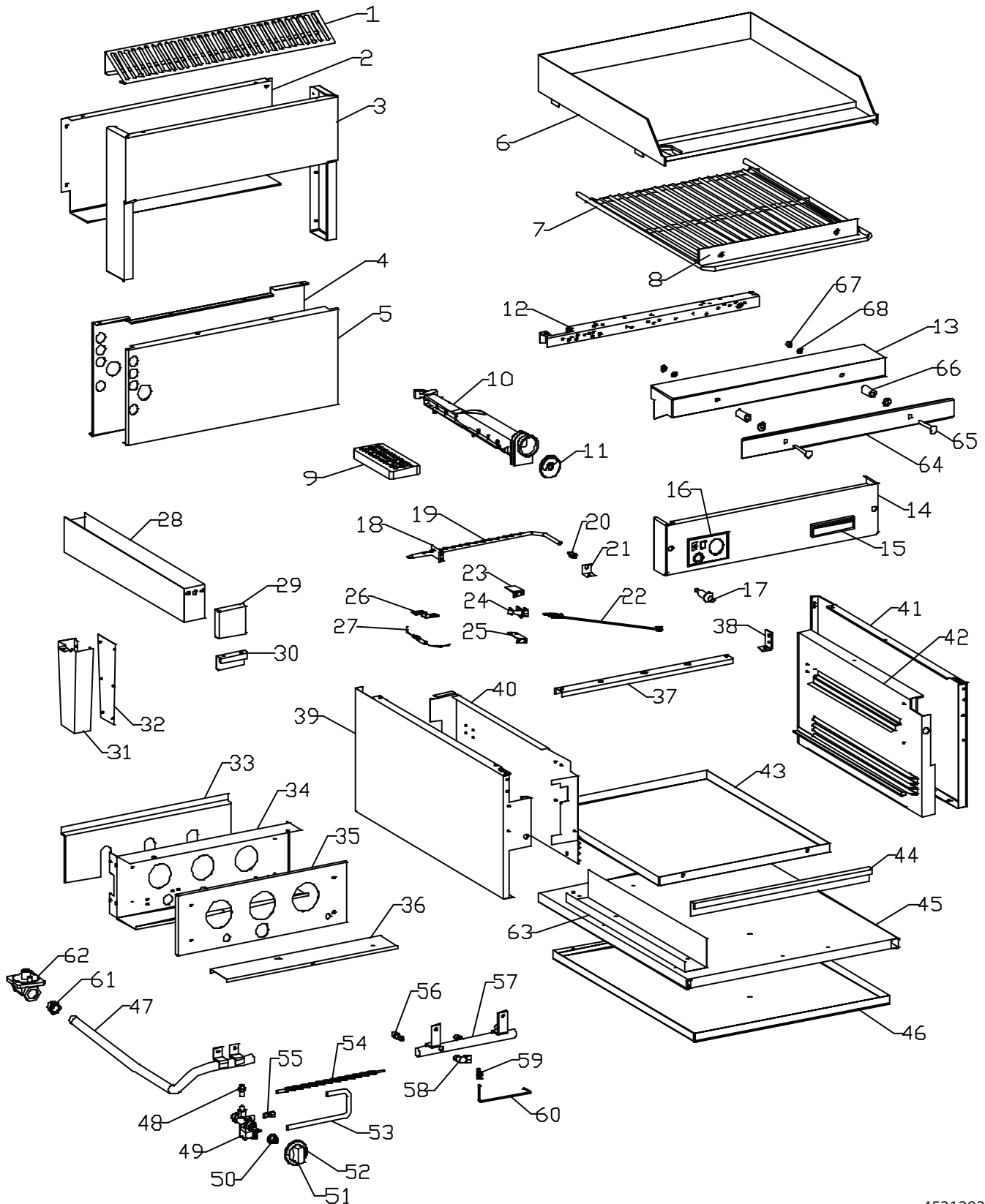
**GAS RAISED GRIDDLE BROILER MODELS ST282 - ST283 - S282 - S283
MANUFACTURED FROM S/N 0604100142343**

ITEM	PART #	DESCRIPTION	QUANTITY	CRITICAL
			ST282-ST283 S282-S283	
51	1729601	Frt Channel 24In - H28	1	
52	4519972	Broiler Front Rail	1	
53	4519969	Upper Control Panel	1	
54	1309201	Piezo Igniter #1244-41	1	C

* NOT ILLUSTRATED

RECOMMENDED STOCK PARTS

NOTES



4521292

GARLAND PARTS IDENTIFICATION
GAS GRIDDLE / SALAMANDER MODELS ST24GS

ITEM	PART #	DESCRIPTION	QUANTITY	CRITICAL
			ST24GS	
1	2374300	Flue Cap	1	
2	2374212	Backguard Back	1	
3	2374100	Backguard Front	1	
4	4521248	Broiler Box Back	1	
5	4521247	Griddle Back Liner	1	
6	4519976	Griddle Assembly	1	
7	1090600	Broiler Rack	1	
8	1090797	Broiler Rack Drip Shield	1	
9	1091000	Ceramic Radiant	8	
10	1090500	Broiler Burner	3	
11	1028002	Air Shutter	3	
12	1729601	Front Channel	1	
13	4521625	Front Rail	1	
14	4521246	Valve Panel	1	
15	3077101	Nameplate	1	
16	4520185	Valve Panel Overlay	1	
17	1309201	Piezo Igniter #1244-41	1	
18	4519979	Lighter Burner Mounting Brkt.	2	
19	4519967	Lighter Burner	1	
20	4519966	Lighter Burner Orifice	1	
21	4519978	Lighter Burner Injector Suppt. Brkt.	1	
22	2321901	Thermocouple 16"	1	C
23	4519980	Flame Shield	1	
24	4520037	2Ch-1 Pilot Nat.	1	C
	4520393	2Ch-1 Pilot Pro.	1	C
25	4519977	Pilot Mounting Bracket	1	
26	4519993	Electrode Mounting Bracket	1	
27	G03151-2	Piezo Electrode - Use G03151-1	1	C
28	4521251	Grease Drawer	1	
29	4521252	Grease Drawer Handle Support	1	
30	1728802	Grease Drawer Handle	1	
31	4520395	Grease Chute Front	1	
32	4520396	Grease Chute Back	1	
33	2384500	Broiler Burner Shield	1	
34	4519971	Broiler Valve Shield	1	
35	4519970	Heatshield Front	1	
36	3012100	Sec. Bottom Heat Shield	1	
37	1085700	Broiler Burner Rest	1	
38	1081905	Burner Rest Support	2	
39	4521244	Broiler Side Lt.	1	
40	1081993	Broiler Side Liner Lt.	1	
41	4521243	Broiler Side Rt.	1	
42	1081994	Broiler Side Liner Rt.	1	
43	1728824	Drip Tray	1	
44	1728825	Drip Tray Handle	1	
45	4521249	Main Bottom	1	
46	4521250	Bottom Liner	1	
47	4521242	Manifold	1	
48	2198100	12Mm Valve Connector	1	
49	2187099	Flame Failure Valve	1	C
50	3043202	Hub	1	
51	3043100	Knob	1	
52	2310000	Dial Insert	1	
53	4521367	Tube Valve - Submanifold	1	
54	4521446	Tube Valve - Pilot	1	
55	G6809	Gum Valve 1/4"	1	

* NOT ILLUSTRATED

RECOMMENDED STOCK PARTS

GARLAND PARTS IDENTIFICATION
GAS GRIDDLE / SALAMANDER MODELS ST24GS

ITEM	PART #	DESCRIPTION	QUANTITY	CRITICAL
			ST24GS	
56	2104550	Orifice Fitting - Nat.	3	C
	2104559	Orifice Fitting - Pro.	3	C
57	4519968	Sub Manifold	1	
58	G02352-1	Elbow 3/8"NPT To 7/16"CC	1	
59	1086199	Gum Valve 1/8"	1	
60	4519983	Tube Submanifold - Lighter Burner	1	
61	G01918-5	Reducing Bushing	1	
62	2127502	Regulator - Nat.	1	C
	2127500	Regulator - Pro.	1	C
63	4521364	Drip Tray Guide	1	
64	4521619	Rail Bar	1	
65	4515934	Carriage Bolt	2	
66	3038601	Rail Spacer	2	
67	F77	Nut 5/16"	2	
68	F258	Lock Washer	2	

* NOT ILLUSTRATED

RECOMMENDED STOCK PARTS

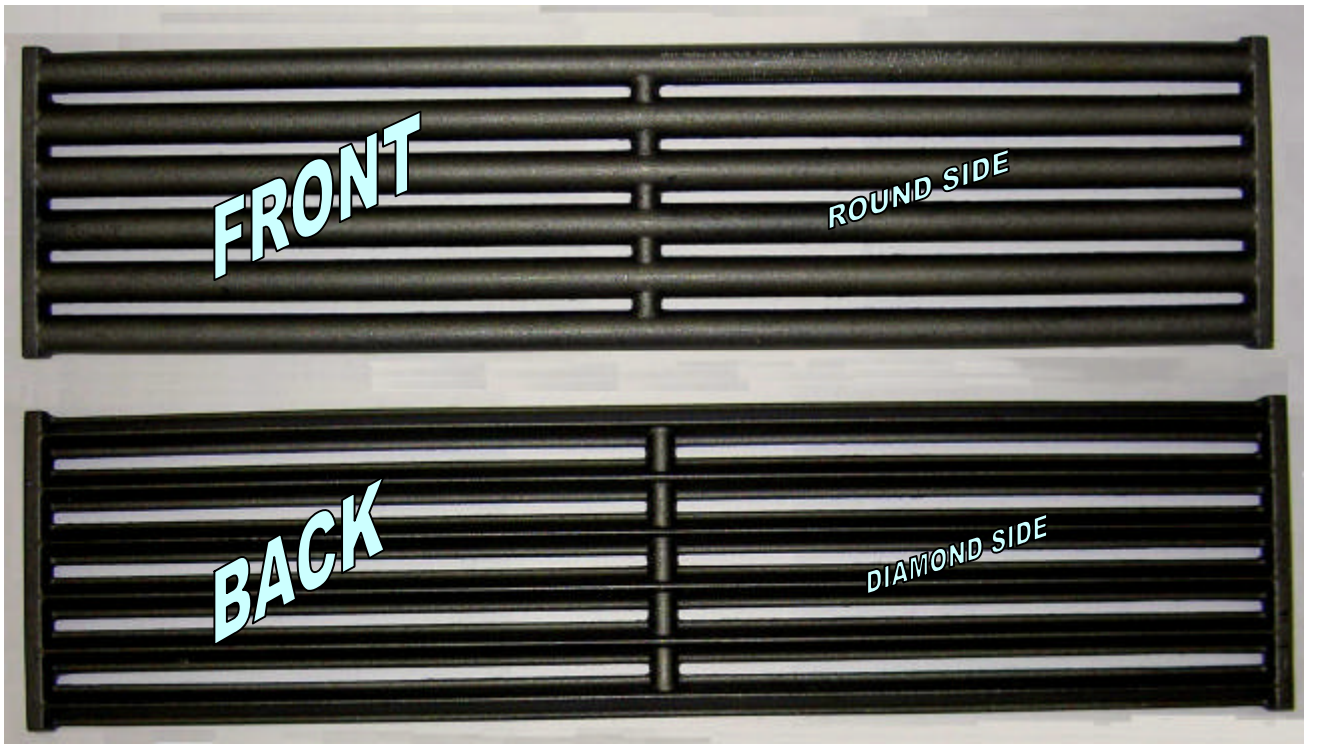


4519723 S/S Adjustable Leg
Use from July 3, 2004.
Only Available as an Assembly



1027699 : 6" Leg Retainer Assembly
Used up to: July 3, 2004.

1027600 – Leg Retainer 6"
1150502 – Leg Bullet



4519965 Cast Iron Broiler Rack

GARLAND PARTS IDENTIFICATION

Revision History

REV. #	PAGE #	ITEM #	NOTES	DATE
10	7	54	New casters introduced - Mounting method and overall height would be the same as the old casters. The only difference is with the diameter of the new wheel. The old casters wheel diameter is (4") new casters is (3.5") in diameter	Jan 06/05
	11	90		
11	9	17	Burner Slide & Tube Shield (No Longer Required) As Of Jan 1, 2005	Jan 25/05
			Part # 1390900 Use For Left & Right Side Of Burner Pan	
12	4,6	28D	New Part Number - S/S Adjustable Leg	Mar 22/05
	8,10	38D		
13	26,29	63	New Part Numbers – Leg Channel Assembly	May 13/05
	30,33	54		
14	6,10		Photo At The End Footnote Added	Jun 16/05
	6	27A, 28A, 28C, 28D	Photo At The End Symbol ^ Added (Item #)	
	10	36A, 37A, 38D, 39		
	34		New Photos	
15	27, 33	4	Part # G02647-01-5 (Broiler Rack Assembly) Replaced By 4519965	Sep 08/05
	30,31		New Pages added Table Expanded	
	37		Photo Of The New Rack Added	
16	6	28D	Description Changed – Standard After July 3/04 Added	Feb 23/06
	7	54	Part # 1027800 & 1027801 Description Changed –	
	11	90	NLA Deleted	
17	Index		2 New Models Added	May 17/06
	36, 37, 38, 39		New Model Added – Model ST282, 283 & S282, 283	
	40, 41, 42		New Model Added – Model ST24GS	
	43, 44, 45		Moved (Were Page # 36, 37, 38)	
18	40		New Drawing	Jun 12/06
	41	2,13	Part Number Changed – Was 2374200 & 4521272	
	42	64,65, 66,67,68	New Part Number Added	
19	8		New Drawing	Apr 02/08
	9	1	Item Number Deleted – Was 1438494 Oven Bottom Assembly	
		2	Part Number 1359201 Added Quantity On Part # 1352200 Changed	
		3	Part Number Removed – Was (1005399 Flue Body Assembly) Part Number Removed – Was (1413899) Flue Body Assembly) Part Number Removed – Was (1413900 Flue Box)	
	3A & 3B		New Part Number Added	
	Whole Book		Critical Column Added	
	28	70	Description Changed	
	32	62		
	4		New Drawing	
	5	2	Item # Deleted – Was (1368700 Burner Box Bottom) & (1392200 Burner Box Bottom)	
20	4,7	57	New Part Number Added	Jul 10/08
	8,12	129		
21	7,22	56,35	New Momentary Switch Service Kit 4530075 replaced Momentary Switch Part# G03053-1. Listed Related Bulletin.	Oct 18/11

 **Garland**[®]