



G280 SERIES RANGES
(Canadian & International)

PARTS LIST

Toll Free Phone, (US & Canada): (800) 427-6668

Toll Free Fax, (US & Canada): (800) 361-7745

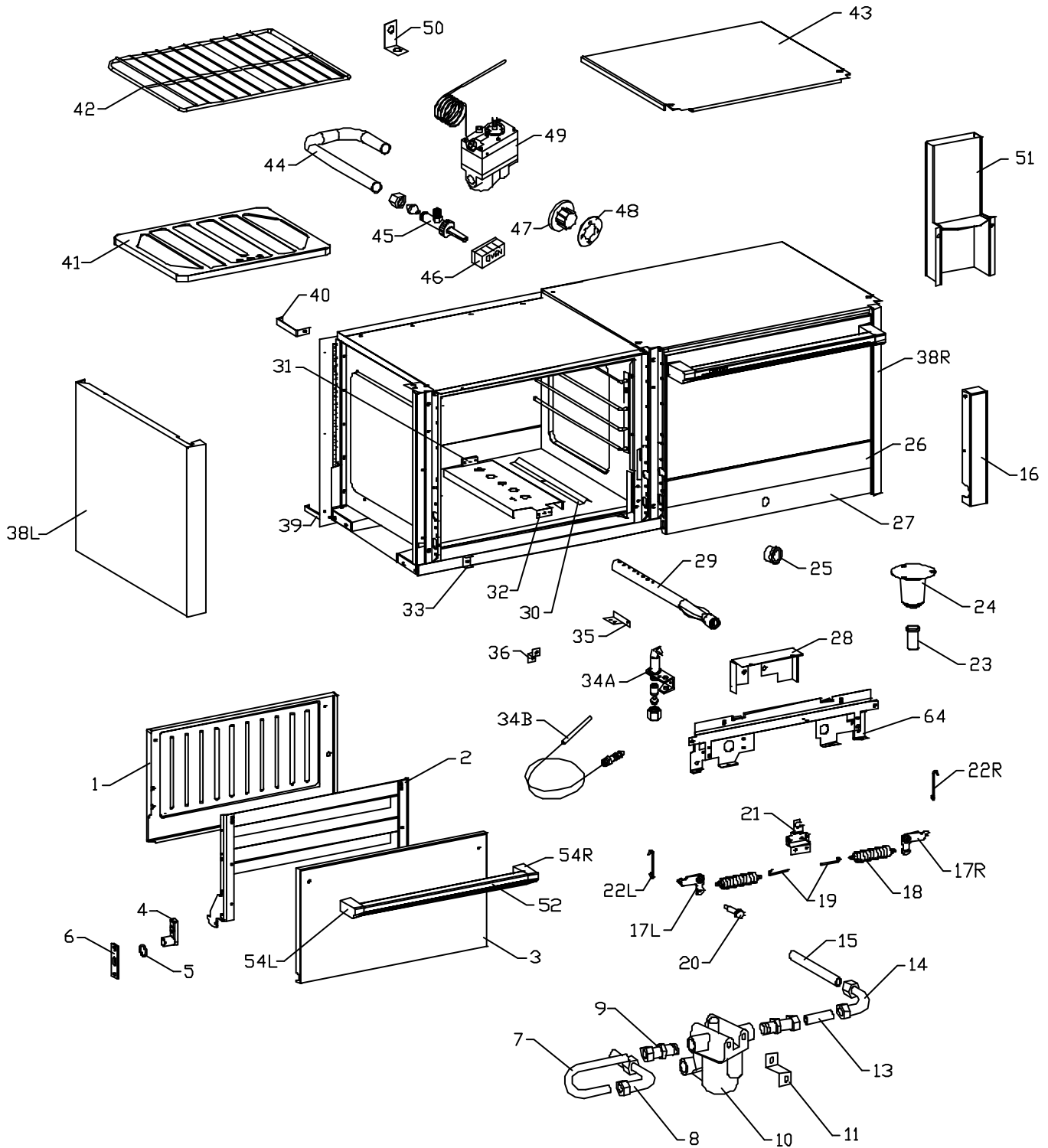
<http://www.garland-group.com>



G280 SERIES RANGES ***(Canadian & International)***

Contents:

Restaurant Range Oven G28, G281, G282, G283, G284, G285, G286, G287, G288, And G289	Page 4
Restaurant Range Oven Flame Failure Series Models G282FF, G283FF, G284FF, G285FF, G286FF, G287FF, G288FF And G289FF	Page 8
Restaurant Range Convection Oven Flame Failure Series Models G281CFF, G282RCFF, G283RCFF, G283RC2FF, G284RCFF, G284RC2FF, G285RCFF, G285RC2FF, G286RCFF, G287RCFF, G289RCFF, And G289RC2FF	Page 12
Restaurant Range Convection Oven Models G281RC, G282RC, G283RC, G283RC2, G284RC, G284RC2, G285RC, G285RC2, G286RC, G287RC, G289RC, And G289RC2	Page 16
Restaurant Range Surface Plate Sections Models G28, G284, G286, G287, G288, And G289	Page 20
Restaurant Range Surface Plate Sections Flame Failure Series Models G28FF, G284FF, G286FF, G287FF, G288FF, And G289FF.....	Page 24
Restaurant Range Raises Griddle/broiler Section Models G281, G282, G283, And G285	Page 32
Restaurant Range Oven Raised Griddle/broiler Section Flame Failure Series Models G281FF, 282FF, G283FF And G285FF	Page 36
Revision History.....	Page 39



Restaurant Range Oven 01.dwg

GARLAND PARTS IDENTIFICATION

Restaurant Range Oven

G28, G281, G282, G283, G284, G285, G286, G287, G288, G289

ITEM	PART #	DESCRIPTION	MODEL										
			QUANTITY										
			G28	G281	G282	G283	G284	G285	G286	G287	G288	G289	
1	1439795	Oven Door Lining Enamelled	1									2	
	1439796	Oven Door Lining Enamelled		1	1	2	2	2	1	1			2
2	G03984-02-8	Oven Door Inset Assembly	1										2
	G03984-03-8	Oven Door Inset Assembly		1	1	2	2	2	1	1			2
3	1439903	H288 LT Door Panel	1										2
	1439901	Oven Door Panel		1	1	2	2	2	1	1			2
4	1082500	Oven Door Trunion	2	2	2	4	4	4	2	2	4	4	
5	1082700	Harness Ring 7GA.	2	2	2	4	4	4	2	2	4	4	
6	1083001	Trunion Support	2	2	2	4	4	4	2	2	4	4	
7	1329500	7/16 Tube Safety to Orifice	1	1	1	2	2	2	1	1	2	2	
8	1415541F	Oven Orifice Fitting	1										2
	1415553F	Oven Orifice Fitting Pro.	1										2
	1415533F	Oven Orifice Fitting		1	1	2	2	2	1	1			2
	1415550F	Oven Orifice Fitting Pro.		1	1	2	2	2	1	1			2
	14155XX	Oven Orifice Fitting w/o Hood	1	1	1	2	2	2	1	1	2	2	
9	1095499	Straight Connector 3/8 x 7/16 cc	2	2	2	4	4	4	2	2	4	4	
10	1415703	Hi-Temp Baso Valve	1	1	1	2	2	2	1	1	2	2	
11	1391500	Safety Valve Bracket	1	1	1	2	2	2	1	1	2	2	
12*	1028382	3/16 alum tubing 82.00"	1	1	1	2	2	2	1	1	2	2	
13	1392301	7/16 Tube Baso To Oven .146"	1	1	1	2	2	2	1	1	2	2	
14	1313800	Elbow 90 Degree Brass #65-7	1	1	1	2	2	2	1	1	2	2	
15	1369700	Oven Tubing	1										2
	1439300	Oven Tubing Left		1	1	1	1	1	1	1			2
	1392301	7/16 Tube Baso To Oven .146"				1							
	1439600	Oven Tubing Right					1						
16	1081506	Centre Column		1	1						1	1	
	1081505	Centre Column				1	1	1					
	1370103	Centre Column S/S											1
17R	1082196	Oven Door Bell Crank 24"											2
	1082199	R/H Bell Crank Assembly		1	1	2	2	2	1	1			2
17L	1082198	L/H Bell Crank Assembly		1	1	2	2	2	1	1			2
18	1005800	Door Spring	1	2	2	4	4	4	2	2	2	4	
19	G01246-1-8	Spring Hook	1										2
	9004701	Oven Door Spring Hook		2	2	4	4	4	2	2			4
20	GF299	1/4-20 x 1/2 Shoulder Bolt	1	2	2	4	4	4	2	2	2	4	
21	1374200	Orifice Bracket 24" Oven	1										2
	1361000	Orifice Bracket		1	1	2	2	2	1	1			2
22R	1082802	Oven Door Hinge Link RT		1	1	2	2	2	1	1			2
22L	1082803	Oven Door Hinge Link LT	1	1	1	2	2	2	1	1	2	2	
23	1150502	Bullet Legs	4	4	4	4	4	4	4	4	4	4	4
Optional													
*	1027800	Swivel Caster Less Brake	2	2	2	2	2	2	2	2	2	2	2
	1027801	Swivel Caster C/W Brake	2	2	2	2	2	2	2	2	2	2	2
	2063700	Swivel Caster Less Brake (UK Only)	2	2	2	2	2	2	2	2	2	2	2
	2063701	Swivel Caster With Brake (UK Only)	2	2	2	2	2	2	2	2	2	2	2
	2393999	Flanged Leg Assembly	4	4	4	4	4	4	4	4	4	4	4
24	2093800	Leg Retainer 4" (Opt.)	4	4	4	4	4	4	4	4	4	4	4

* NOT ILLUSTRATED

RECOMMENDED STOCK PARTS

GARLAND PARTS IDENTIFICATION

Restaurant Range Oven

G28, G281, G282, G283, G284, G285, G286, G287, G288, G289

ITEM	PART #	DESCRIPTION	MODEL									
			QUANTITY									
			G28	G281	G282	G283	G284	G285	G286	G287	G288	G289
Optional												
*	1027600	Leg Retainer 6" (Std.)	4	4	4	4	4	4	4	4	4	4
	20262299	Flanged Leg Retainer Assembly	4	4	4	4	4	4	4	4	4	4
25	1028802	Heyco Bushing	1	1	1	2	2	2	1	1	2	2
26	1374003	Kick Panel Upper S/S 30"		1	1	1			1	1		
	1374111	Kick Panel Upper 60"		1	1	1			1	1		
27	1374111	Kick Panel Lower - 30"		1	1	1			1	1		
	1374113	Kick Panel Lower		1	1	1			1	1		
28	2331200	Right Air Shield	1									2
	2331100	Left Air Shield	1									2
	2298600	Front Air Shield		1	1	2	2	2	1	1		2
29	9102000	Oven Burner	1	1	1	2	2	2	1	1	2	2
30	1391300	Tubing Shield	1	1	1	2	2	2	1	1	2	2
31	1411300	Casting Supt Rt Gce	1	1	1	2	2	2	1	1	2	2
32	1399200	Burner Rest Support	1									2
	1391600	Oven Burner Rest Supt		1	1	2	2	2	1	1		2
33	1373900	Lower Kick Panel Support	2	2	2	2	2	2	2	2	2	2
34A	1415300	2C-2 Pilot Natural	1	1	1	2	2	2	1	1	2	2
	1415301	2C-2 Pilot Propane	1	1	1	2	2	2	1	1	2	2
34B	4518817	Thermocouple 18" (Slip-In Type)	1	1	1	2	2	2	1	1	2	2
35	2354300	Oven Pilot Bracket	1	1	1	2	2	2	1	1	2	2
	1481800	Pilot Burner Bracket	1	1	1	2	2	2	1	1	2	2
36	1374500	Upper Kick Panel Support Bracket	2	2	2	2	2	2	2	2	2	2
37*	1120416	Aluminum Padded Washer	2	2	2	4	4	4	2	2	4	4
38R	1081104	Body Side R/H S/S							1			1
	1081113	Body Side R/H SS							1			1
38L	1801109	Body Side L/H S/S							1			1
	1081108	Body Side L/H SS							1			1
39	1081300	Side Rear Brace	2	2	2	2	2	2	2	2	2	2
40	1364200	Main Back Stiffener	2	2	2	2	2	2	2	2	2	2
41	2157098	Oven Bottom	1									2
	1438494	Oven Bottom Assy.		1	1	2	2	2	1	1		2
42	2301201	Oven Rack	1									2
	9002200	Oven Rack Chrome	1									2
	2117000	Oven Rack Chrome		1	1	2	2	2	1	1		2
43	1368700	Burner Box Bottom	1									2
	1392200	Burner Box Bottom		2	2	2	2	2		2		
	1080915	Burner Box Bottom								1		2
44	1090311	Tubing For Thermostat Manifold	1	1	1	2	2	2	1	1	2	2
45	1085999	Valve - Oven Burner	1	1	1	2	2	2	1	1	2	2
46	1089101	Knob (Oven)	1	1	1	2	2	2	1	1	2	2
47	G02716-3	Dial - (Universal) Large Shaft	1	1	1	2	2	2	1	1	2	2
48	G02725-16	Dial Insert (150°F/500°F)	1	1	1	2	2	2	1	1	2	2
	G02725-6	Dial Insert (70°C/260°C)	1	1	1	2	2	2	1	1	2	2
49	G03145-048	FD Control Assembly	1	1	1	2	2	2	1	1	2	2
50	1090900	FD Control Bracket	1	1	1	2	2	2	1	1	2	2
51	1005399	Flue Body Assembly	1	1	1	2	2	2	1	1	2	2

* NOT ILLUSTRATED

RECOMMENDED STOCK PARTS

GARLAND PARTS IDENTIFICATION

Restaurant Range Oven

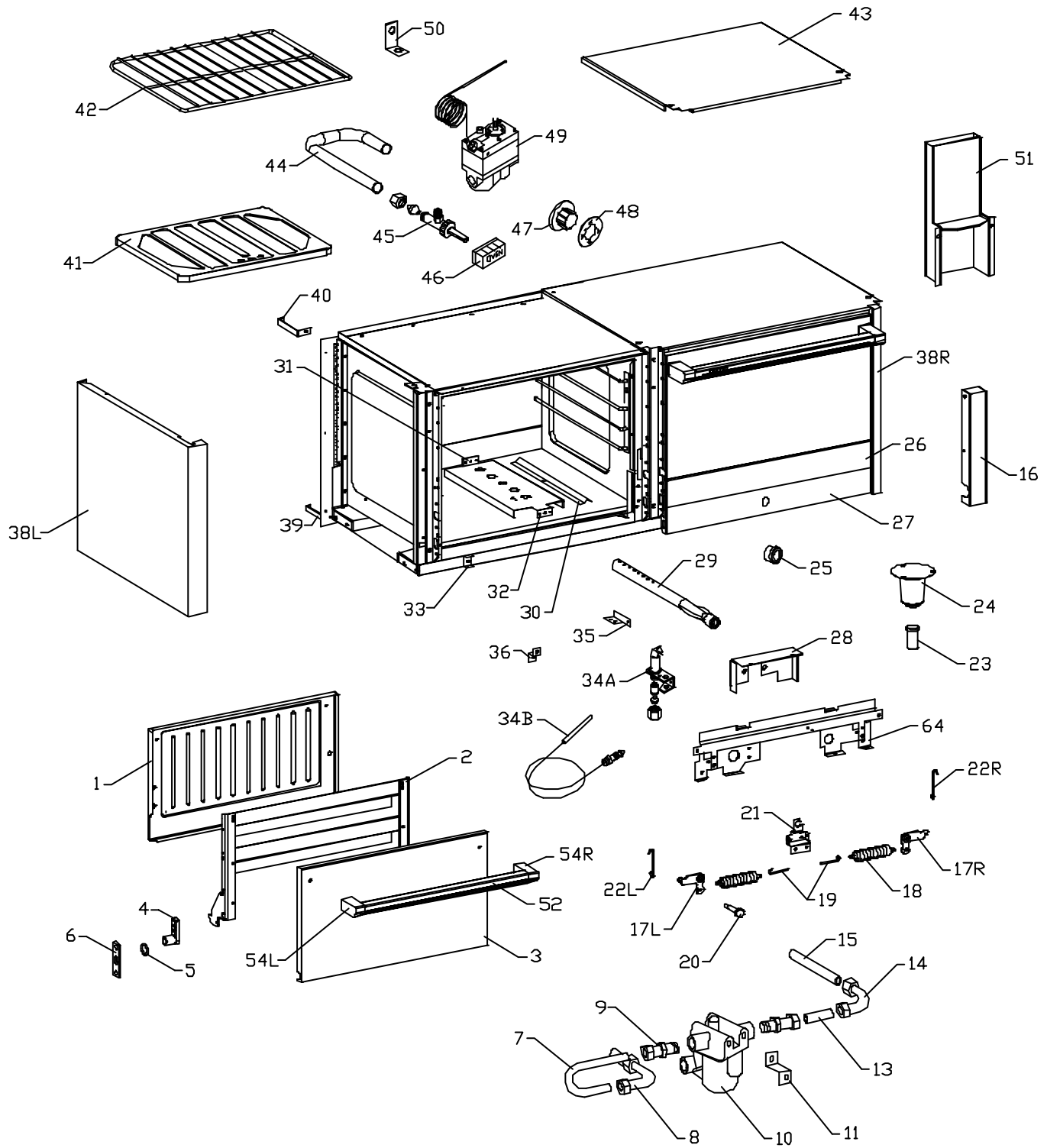
G28, G281, G282, G283, G284, G285, G286, G287, G288, G289

ITEM	PART #	DESCRIPTION	MODEL									
			QUANTITY									
			G28	G281	G282	G283	G284	G285	G286	G287	G288	G289
52	1589100	Extruded Handle Bar 24 3/8"		1	1	2	2	2	1	1		2
	1589101	Extruded Handle Bar 18.375	1								2	
53*	1592000	Handle Overlay 24-3/8" x 1-21/64"		1	1	2	2	2	1	1		2
	1592001	Handle Overlay 1803/8" x 1/21/64"	1								2	
54R	9003700	Handle R/H	1	1	1	2	2	2	1	1	2	2
54L	9003701	Handle L/H	1	1	1	2	2	2	1	1	2	2
The Parts Below Are Used On The G28 And G288 Series Oven Section From Serial #121281												
55*	G01479-01	T11J Safety Valve	1								2	
56*	G03699-1-6	Safety Valve Bracket H280	1								2	
58*	1095499	Straight Connector 3/8 x 7/16 CC	1								2	
59*	G02352-1	Elbow 3/8 NPT TO 7/16CC 69-7C	1								2	
62*	1028312	3/16 Alum Tubing	1								2	
63*	2301100	Steel Tubing Safety to Orifice 7/16"	1								2	
64	1082001	Lower Front Plate										

ITEM	PART #	DESCRIPTION	MODEL									
			QUANTITY									
			G28	G281Z	G282Z	G283Z	G284Z	G285Z	G286Z	G287Z	G288FF	G289Z
The Parts Below Are Used On The G280 Series Oven Section (Except Models G28 And G288) With Models Suffix "Z"												
55*	G0149-01	T11J Safety Valve		1	1	2	2	2	1	1		2
56*	G03699-1-6	Safety Valve Bracket H280		1	1	2	2	2	1	1		2
57*	G6523-1-6	Oven Bottom Air Plate		1	1	2	2	2	1	1		2
58*	1095499	Straight Connector 3/8 x 7/16 CC		1	1	2	2	2	1	1		2
59*	G02352-1	Elbow 3/8 NPT To 7/16CC 69-7C		1	1	2	2	2	1	1		2
60*	G6522	Oven Burner G34		1	1	2	2	2	1	1		2
61*	G5502-1-7	Air Shutter (Oven Burner)		1	1	2	2	2	1	1		2
62*	1028312	3/16 Alum Tubing		1	1	2	2	2	1	1		2
63*	2301100	Steel Tubing Safety to Orifice 7/16"		1	1	2	2	2	1	1		2
64*	G6094-1-7	Orifice Oven Support		1	1	2	2	2	1	1		2
65*	2297700	Oven Rack Slide Assy RH		1	1	2	2	2	1	1		2
66*	2297701	Oven Rack Slide Assy LH		1	1	2	2	2	1	1		2
67*	2301200	Oven Rack Assembly		1	1	2	2	2	1	1		2
68*	1794201	Oven Door Handle Spacer Gray		1	1	2	2	2	1	1		2

* NOT ILLUSTRATED

RECOMMENDED STOCK PARTS



GARLAND PARTS IDENTIFICATION

Restaurant Range Oven Flame Failure Series Models:

G28FF, G281FF, G282FF, G283FF, G284FF, G285FF, G286FF, G287FF, G288FF and G289FF

ITEM	PART #	DESCRIPTION	MODEL										
			QUANTITY										
			G28FF	G281FF	G282FF	G283FF	G284FF	G285FF	G286FF	G287FF	G288FF	G289FF	
1	1439795	Oven Door Lining Enamelled	1									2	
	1429796	Oven Door Lining Enamelled		1	1	2	2	2	1	1			2
2	G03984-02-8	Oven Door Insert Assembly	1									2	
	G03984-03-8	Oven Door Insert Assembly		1	1	2	2	2	1	1			2
3	1439903	H288 LT Door Panel	1									2	
	1439901	Oven Door Panel		1	1	2	2	2	1	1			2
4	1082500	Oven Door Trunion	2	2	2	4	4	4	2	2	4	4	
5	1082700	Harness Ring 7GA.	2	2	2	4	4	4	2	2	4	4	
6	1083001	Trunion Support	2	2	2	4	4	4	2	2	4	4	
7	1392500	7/16 Tube Safety to Orifice	1	1	1	2	2	2	1	1	2	2	
8	14155XX	Oven Orifice Fitting w/o Hood	1	1	1	2	2	2	1	1	2	2	
9	1095499	Straight Connector 3/8 x 7/16 CC	2	2	2	4	4	4	2	2	4	4	
10	1415703	Hi-Temp Baso Valve	1	1	1	2	2	2	1	1	2	2	
11	1391500	Safety Valve Bracket	1	1	1	2	2	2	1	1	2	2	
12*	1028382	3/16 Alum Tubing 82.00"	1	1	1	2	2	2	1	1	2	2	
13	1392301	7/16 Tube Baso To Oven .146"	1	1	1	2	2	2	1	1	2	2	
14	1313800	Elbow 90 Degree Brass #65-7	1	1	1	2	2	2	1	1	2	2	
15	1369700	Oven Tubing	1									2	
	1439300	Oven Tubing Left		1	1	1	1	1	1	1			2
	1439400	Oven Tubing Right				1							
	1439500	Oven Tubing Right					1						
	1439600	Oven Tubing Right						1					
16	1081506	Centre Column		1	1						1	1	
	1081505	Centre Column				1	1	1					
	1370103	Centre Column S/S											1
17R	1082196	Oven Door Bell Crank 24"	1									2	
	1082199	R/H Bell Crank Assembly		1	1	2	2	2	1	1			2
17L	10821198	L/H Crank Assembly		1	1	2	2	2	1	1			2
18	1005800	Door Spring	1	2	2	4	4	4	2	2	2	4	
19	G01246-1-8	Spring Hook	1									2	
	9004701	Open Door Spring Hook		2	2	4	4	4	2	2			4
20	GF299	1/4-20 x 1/2 Shoulder Bolt	1	2	2	4	4	4	2	2	2	4	
21	1374299	Orifice Bracket 24" Oven		1	1	2	2	2	1	1			2
	1361000	Orifice Bracket		1	1	2	2	2	1	1			2
22R	1082802	Oven Door Hinge Link RT		1	1	2	2	2	1	1			2
22L	1082803	Oven Door Hinge Link LT	1	1	1	2	2	2	1	1	2	2	
23	1150502	Bullet Legs	4	4	4	4	4	4	4	4	4	4	
Optional													
*	1027800	Swivel Casters Less Brake	2	2	2	2	2	2	2	2	2	2	2
	1027801	Swivel Casters C/W Brake	2	2	2	2	2	2	2	2	2	2	2
	2063700	Swivel Caster Less Brake (UK Only)	2	2	2	2	2	2	2	2	2	2	2
	2063701	Swivel Caster With Brake (UK Only)	2	2	2	2	2	2	2	2	2	2	2
	2393999	Flanged Leg Assembly	4	4	4	4	4	4	4	4	4	4	4
24	2093800	Leg Retainer 4" (Opt.)	4	4	4	4	4	4	4	4	4	4	
Optional													
*	1027600	Leg Retainer 6" (Std.)	4	4	4	4	4	4	4	4	4	4	4
	20226299	Flanged Leg Retainer Assembly	4	4	4	4	4	4	4	4	4	4	4

* NOT ILLUSTRATED

RECOMMENDED STOCK PARTS

GARLAND PARTS IDENTIFICATION

Restaurant Range Oven Flame Failure Series Models:

G28FF, G281FF, G282FF, G283FF, G284FF, G285FF, G286FF, G287FF, G288FF and G289FF

ITEM	PART #	DESCRIPTION	MODEL									
			QUANTITY									
			G28FF	G281FF	G282FF	G283FF	G284FF	G285FF	G286FF	G287FF	G288FF	G289FF
25	1028802	Heyco Bushing	1	1	1	2	2	2	1	1	2	2
26	1374003	Kick Panel Upper S/S 30"		1	1				1	1	1	
	1374007	Kick Panel Upper 60"		1	1				1	1	1	
27	1374111	Kick Panel Lower - 30"		1	1				1	1	1	
	1374113	Kick Panel Lower		1	1				1	1	1	
28	2331200	Right Air Shield	1									2
	2331100	Left Air Shield	1									2
	2298600	Front Air Shield		1	1	2	2	2	1	1		2
29	9102000	Oven Burner	1	1	1	2	2	2	1	1	2	2
30	1391300	Tubing Shield	1	1	1	2	2	2	1	1	2	2
31	1411300	Casting Supt Rt Gce	1	1	1	2	2	2	1	1	2	2
32	1399200	Burner Rest Support	1									2
	1391600	Oven Burner Rest Supt		1	1	2	2	2	1	1		2
33	1373900	Lower Kick Panel Support	2	2	2	2	2	2	2	2	2	2
34A	1415300	2C-2 Pilot Natural	1	1	1	2	2	2	1	1	2	2
	1415301	2C-2 Pilot Propane	1	1	1	2	2	2	1	1	2	2
34B	4518817	Thermocouple 18" (Slip-In Type)	1	1	1	2	2	2	1	1	2	2
35	2354300	Oven Pilot Bracket	1	1	1	2	2	2	1	1	2	2
	1481800	Pilot Burner Bracket	1	1	1	2	2	2	1	1	2	2
36	1374500	Upper Kick Panel Support Bracket	2	2	2	2	2	2	2	2	2	2
37*	1120416	Aluminum Padded Washer	2	2	2	4	4	4	2	2	4	4
38R	1081104	Body Side R/H S/S							1			1
	1081113	Body Side R/H SS							1			1
38L	1801109	Body Side L/H S/S							1			1
	1081108	Body Side L/H SS							1			1
39	1081300	Side Rear Brace	2	2	2	2	2	2	2	2	2	2
40	1364200	Main Back Stiffener	2	2	2	2	2	2	2	2	2	2
41	2157098	Oven Bottom	1									2
	1438494	Oven Bottom Assembly		1	1	2	2	2	1	1		2
42	2301201	Oven Rack										2
	9002200	Oven Rack Chrome										2
	2117000	Oven Rack Chrome		1	1	2	2	2	1	1		2
43	1368700	Burner Box Bottom	1									2
	1392200	Burner Box Bottom		2	2	2	2	2		2		
	1080915	Burner Box Bottom								1		2
44	1090311	Tubing For Thermostat Manifold	1	1	1	2	2	2	1	1	2	2
45	1085999	Valve - Oven Burner	1	1	1	2	2	2	1	1	2	2
46	1089101	Knob (Oven)	1	1	1	2	2	2	1	1	2	2
47	G02716-3	Dial - (Universal) Large Shaft	1	1	1	2	2	2	1	1	2	2
48	G02725-16	Dial Insert (150°F/500°C)	1	1	1	2	2	2	1	1	2	2
	G02725-6	Dial Insert (70°C/260°C)	1	1	1	2	2	2	1	1	2	2
49	G03145-048	FD Control Assembly	1	1	1	2	2	2	1	1	2	2
50	1090900	FD Control Bracket	1	1	1	2	2	2	1	1	2	2
51	1005399	Flue Body Assembly	1	1	1	2	2	2	1	1	2	2
52	1589100	Extruded Handle Bar 24 3/8"		1	1	2	2	2	1	1		2
	1589101	Extruded Handle Bar 18.375	1									2

* NOT ILLUSTRATED

RECOMMENDED STOCK PARTS

GARLAND PARTS IDENTIFICATION

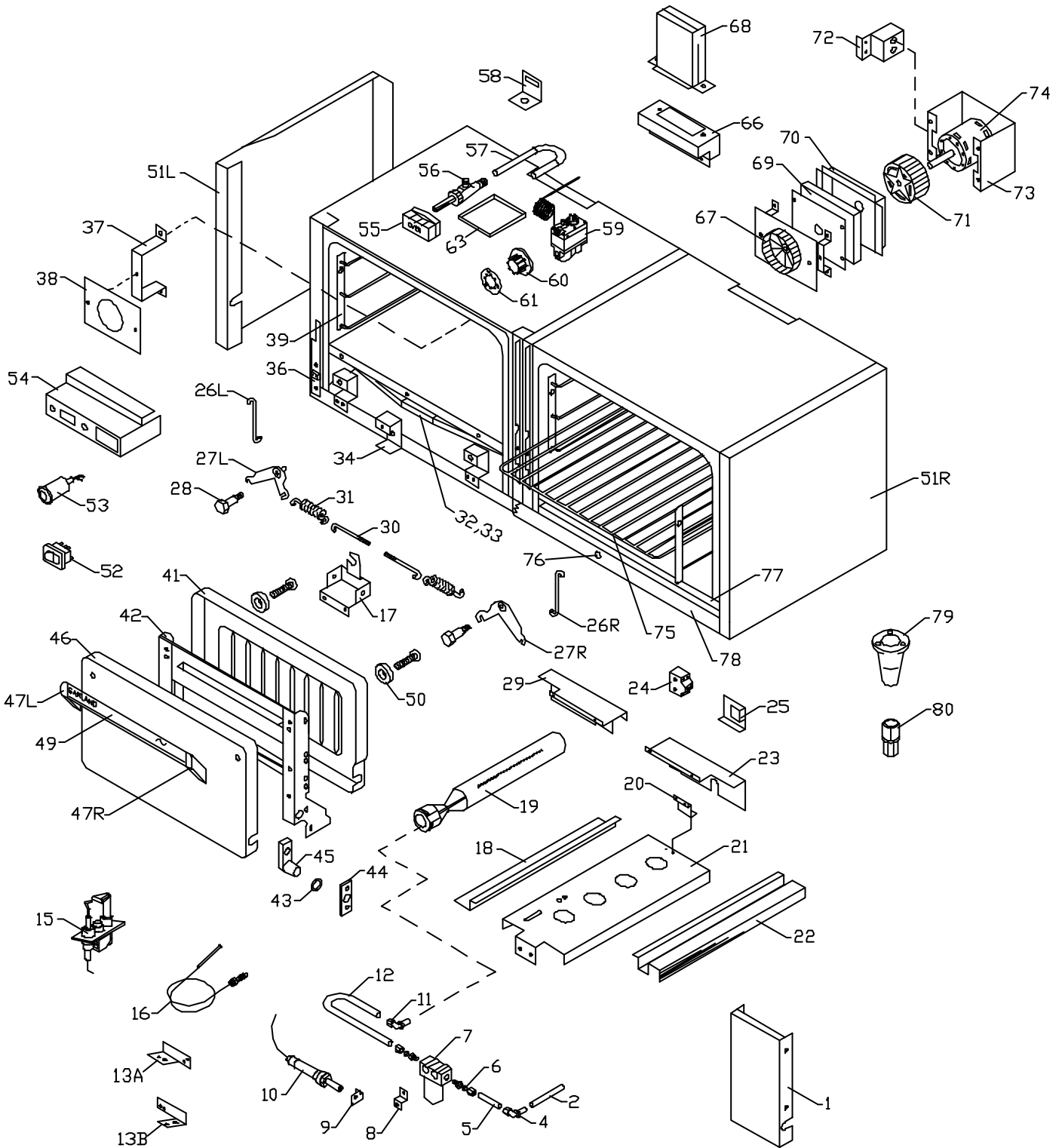
Restaurant Range Oven Flame Failure Series Models:

G28FF, G281FF, G282FF, G283FF, G284FF, G285FF, G286FF, G287FF, G288FF and G289FF

ITEM	PART #	DESCRIPTION	MODEL									
			QUANTITY									
			G28FF	G281FF	G282FF	G283FF	G284FF	G285FF	G286FF	G287FF	G288FF	G289FF
53*	1592000	Handle Overlay 24-3/8" x 1-21/64"		1	1	2	2	2	1	1		2
	1592001	Handle Overlay 18-3/8" x 1/21/64"	1								2	
54R	9003700	Handle R/H	1	1	1	2	2	2	1	1	2	2
54L	9003701	Handle L/H	1	1	1	2	2	2	1	1	2	2
The Parts Below Are Used On The G280 Series Oven Section (Except Models G28 And G288) With Models Suffix "Z"												
55*	G0149-01	T11J Safety Valve		1	1	2	2	2	1	1		2
56*	G03699-1-6	Safety Valve Bracket H280		1	1	2	2	2	1	1		2
57*	G6523-1-6	Oven Bottom Air Plate		1	1	2	2	2	1	1		2
58*	1095499	Straight Connector 3/8 x 7/16CC		1	1	2	2	2	1	1		2
59*	G02352-1	Elbow 3/8 NPT To 7/16CC 69-7C		1	1	2	2	2	1	1		2
60*	G6522	Oven Burner G34		1	1	2	2	2	1	1		2
61*	G5502-1-7	Air Shutter (Oven Burner)		1	1	2	2	2	1	1		2
62*	1028312	3/16 Alum Tubing		1	1	2	2	2	1	1		2
63*	2301100	Steel Tubing Safety to Orifice 7/16"		1	1	2	2	2	1	1		2
64	G6094-1-7	Orifice Oven Support		1	1	2	2	2	1	1		2
65*	2297700	Oven Rack Slide Assy RH		1	1	2	2	2	1	1		2
66*	2297701	Oven Rack Slide Assy LH		1	1	2	2	2	1	1		2
67*	2301200	Oven Rack Assembly		1	1	2	2	2	1	1		2
68*	1794201	Oven Door Handle Spacer Gray		1	1	2	2	2	1	1		2
The Parts Below Are Used On The G28 And G288 Series Oven Section Oven Section From Serial #121281												
55*	G01479-01	T11J Safety Valve	1									2
56*	G03699-1-6	Safety Valve Bracket H280	1									2
58*	1095499	Straight Connector 3/8 x 7/16 CC	1									2
59*	G02352-1	Elbow 3/4 NPT TO 7/16CC 69-7C	1									2
62*	1028312	3/16 Alum Tubing	1									2
63*	2301100	Steel Tubing Safety to Orifice 7/16"	1									2
64	1082001	Lower Front Plate										

* NOT ILLUSTRATED

RECOMMENDED STOCK PARTS



Restaurant Range Oven 03.dwg

GARLAND PARTS IDENTIFICATION

Restaurant Range Convection Oven Flame Failure Series Models:

G281RCFF, G282RCFF, G283RCFF, G283RC2FF, G284RCFF, G284RC2FF, G285RCFF, G285RC2FF, G286RCFF, G287RCFF, G289RCFF, and G289RC2FF

ITEM	PART #	DESCRIPTION	MODEL												
			QUANTITY												
			G281RCFF	G282RCFF	G283RCFF	G283RC2FF	G284RCFF	G284RC2FF	G285RCFF	G285RC2FF	G286RCFF	G287RCFF	G289RCFF	G289RC2FF	
1	1081506	Centre Column	1	1									1		
	1081505	Centre Column			1	1	1	1	1	1	1				
	1370103	Centre Column S/S												1	1
2	1439300	Oven Tubing Left	1	1	1	1	1	1	1	1	1	1	1	1	2
	1439400	Oven Tubing Right			1	1									
	1439500	Oven Tubing Right					1	1							
	1439600	Oven Tubing Right								1	1				
3*	1028382	3/16 Alum Tubing 82.00"	1	1	1	2	1	2	1	2	1	1	1	1	2
4	1313800	Elbow 90 Degree Brass #65-7	1	1	1	2	1	2	1	2	1	1	1	1	2
5	1392301	7/16 Tube Baso To Oven .146"	1	1	1	2	1	2	1	2	1	1	1	1	2
6	1095499	Straight Connector 3/8 x 7/16CC	2	2	2	4	2	4	2	4	2	2	2	2	4
7	1415703	Hi-Temp Baso Valve	1	1	1	2	1	2	1	2	1	1	1	1	2
8	1391500	Safety Valve Bracket	1	1	1	2	1	2	1	2	1	1	1	1	2
9	1413200	Support Bracket	1	1	1	2	1	2	1	2	1	1	1	1	2
10	1309201	Piezo Igniter #1244-41	1	1	1	2	1	2	1	2	1	1	1	1	2
11	14155XX	Oven Orifice Fitting W/O Hood	1	1	1	2	1	2	1	2	1	1	1	1	2
12	1392500	7/16 Tube Safety to Orifice	1	1	1	2	1	2	1	2	1	1	1	1	2
13A	1481800	Pilot Burner Bracket	1	1	1	2	1	2	1	2	1	1	1	1	2
13B	2354300	Oven Pilot Bracket	1	1	1	2	1	2	1	2	1	1	1	1	2
14*	1028310	Aluminum Tubing 3/16 X 028 X 10 Long	1	1	1	2	1	2	1	2	1	1	1	1	2
15	2206506	Spark Ignition Pilot Natural	1	1	1	2	1	2	1	2	1	1	1	1	2
	2206507	Spark Ignition Pilot Propane	1	1	1	2	1	2	1	2	1	1	1	1	2
16	4518817	Thermocouple 18" (Slip-In Type)	1	1	1	2	1	2	1	2	1	1	1	1	2
17	1361000	Orifice Bracket	1	1	1	2	1	2	1	2	1	1	1	1	2
18	1390900	Burner Slide RT & LT as of Jan 1, 2005	1	1	1	2	1	2	1	2	1	1	1	1	2
19	9102000	Oven Burner	1	1	1	2	1	2	1	2	1	1	1	1	2
20	1411100	Burner Support	1	1	1	2	1	2	1	2	1	1	1	1	2
21	1391600	Oven Burner Rest Supt	1	1	1	2	1	2	1	2	1	1	1	1	2
22	1390800	Burner Slide & Tube Shield (No Longer Used) As Of Jan. 1, 2005	1	1	1	2	1	2	1	2	1	1	1	1	2
23	1391100	Roll Out Shield Suppt	1	1	1	2	1	2	1	2	1	1	1	1	2
	1390701	Right Roll Out Shield	1	1	1	2	1	2	1	2	1	1	1	1	2
24	1019600	Micro Door Switch	1	1	1	2	1	2	1	2	1	1	1	1	2
25	1386000	Door Switch Shield	1	1	1	2	1	2	1	2	1	1	1	1	2
26R	1082802	Oven Door Hinge Link RT	1	1	1	2	1	2	1	2	1	1	1	1	2
26L	1082803	Oven Door Hinge Link LT	1	1	1	2	1	2	1	2	1	1	1	1	2
27R	1082199	R/H Bell Crank Assembly	1	1	1	2	1	2	1	2	1	1	1	1	2
27L	1082197	Rc Crank-Sub 1082198/G01503-16	1	1	1	2	1	2	1	2	1	1	1	1	2
28	GF299	1/4-20 X 1/2 Shoulder Bolt	2	2	2	4	2	4	2	4	2	2	2	2	4
29	1391000	Left Roll Out Shield	1	1	1	2	1	2	1	2	1	1	1	1	2
	2330900	Left Roll Out Shield (RC)	1	1	1	2	1	2	1	2	1	1	1	1	2
30	9004701	Oven Door Spring Hook	2	2	2	4	2	4	2	4	2	2	2	2	4
31	1005800	Door Spring	2	2	2	4	2	4	2	4	2	2	2	2	4
32	1412099	Fire Plate Frt Supt Assy	1	1	1	2	1	2	1	2	1	1	1	1	2
33	1357700	Fire Plate	1	1	1	2	1	2	1	2	1	1	1	1	2
34	1373900	Lower Kick Panel Support	2	2	2	4	2	4	2	4	2	2	2	2	4

* NOT ILLUSTRATED

RECOMMENDED STOCK PARTS

GARLAND PARTS IDENTIFICATION

Restaurant Range Convection Oven Flame Failure Series Models:

**G281RCFF, G282RCFF, G283RCFF, G283RC2FF, G284RCFF, G284RC2FF, G285RCFF,
G285RC2FF, G286RCFF, G287RCFF, G289RCFF, and G289RC2FF**

ITEM	PART #	DESCRIPTION	MODEL											
			QUANTITY											
			G281RCFF	G282RCFF	G283RCFF	G283RC2FF	G284RCFF	G284RC2FF	G285RCFF	G285RC2FF	G286RCFF	G287RCFF	G289RCFF	G289RC2FF
35*	G01503-20	Weld Stud 1/4 - 20 X 2 1/4	1	1	1	2	1	2	1	2	1	1	1	2
36	1374500	Upper Kick Panel Support Bracket	2	2	2	2	2	2	2	2	2	2	2	2
37	1361299	Air Baffle Supt Assembly	2	2	2	4	2	4	2	4	2	2	2	4
38	1313099	Air Baffle Enamelled	1	1	1	2	1	2	1	2	1	1	1	2
	1031901	Thumb Screw	2	2	2	4	2	4	2	4	2	2	2	4
39	1311100	Rack Guide Ass'y LT RC	1	1	1	2	1	2	1	2	1	1	1	2
	1311101	Rack Guide Ass'y RT RC	1	1	1	2	1	2	1	2	1	1	1	2
40*	1356600	Rack Glide Clip	4	4	4	8	4	8	4	8	4	4	4	8
41	1439796	Oven Door Lining Enamelled	1	1	1	2	1	2	1	2	1	1	1	2
42	G03984-03-8	Oven Door Insert Assembly	1	1	1	2	1	2	1	2	1	1	1	2
43	1082700	Harness Ring 7GA.	2	2	2	4	2	4	2	4	2	2	2	4
44	1083001	Trunion Support	2	2	2	4	2	4	2	4	2	2	2	4
45	1082500	Oven Door Trunion	2	2	2	4	2	4	2	4	2	2	2	4
46	1439901	Oven Door Panel	1	1	1	2	1	2	1	2	1	1	1	2
47R	9003700	Handle R/H	1	1	1	2	1	2	1	2	1	1	1	2
47L	9003701	Handle L/H	1	1	1	2	1	2	1	2	1	1	1	2
48*	1592000	Handle Overlay 24-3/8" x 1/21/64"	1	1	1	2	1	2	1	2	1	1	1	2
49	1589100	Extruded Handle Bar 24-3/8"	1	1	1	2	1	2	1	2	1	1	1	2
50	1120416	Aluminum Padded Washer	2	2	2	4	2	4	2	4	2	2	2	4
51R	1081104	Body Side R/H S/S										1		1
	1081113	Body Side R/H S/S										1		1
51L	1081109	Body Side L/H S/S										1		1
	1081108	Body Side L/H S/S										1		1
52	1358900	Power Switch/ON/OFF/ON (w/o Light)	1	1	1	2	1	2	1	2	1	1	1	2
53	G01296-3	Pilot Green	1	1	1	2	1	2	1	2	1	1	1	2
54	1414002	S/S Switch Panel Rc	1	1	1		1		1		1	1	1	
	1414003	Switch Panel Rc2 S/S				1		1		1				1
55	1089101	Knob (Oven)	1	1	1	2	1	2	1	2	1	1	1	2
56	1085999	Valve - Oven Burner	1	1	1	2	1	2	1	2	1	1	1	2
57	1090311	Tubing For Thermostat Manifold	1	1	1	2	1	2	1	2	1	1	1	2
58	1090900	FD Control Bracket	1	1	1	2	1	2	1	2	1	1	1	2
59	G03145-048	FD Control Assembly	1	1	1	2	1	2	1	2	1	1	1	2
60	G0271603	Dial - (Universal) Large Shaft	1	1	1	2	1	2	1	2	1	1	1	2
61	G0275-16	Dial Insert (150°F/500°F)	1	1	1	2	1	2	1	2	1	1	1	2
	G0275-6	Dial Insert (70°C/260°C)	1	1	1	2	1	2	1	2	1	1	1	2
62*	1355900	Body Side Stiffener Bracket	2	2	2	4	2	4	2	4	2	2	2	4
	1360300	Main Back Extension H280										2		2
63	1412400	Vent Slide Housing	1	1	1	2	1	2	1	2	1	1	1	2
64*	1412300	Vent Slide	1	1	1	2	1	2	1	2	1	1	1	2
65*	1359200	Bb Bottom H284 RC	1	1	1	2	1	2	1	2		1		
	1359201	Bb Bottom H286 RC										1		2
66	1413900	Flue Box	1	1	1	2	1	2	1	2	1	1	1	2
67	1270301	Inner Blower Wheel	1	1	1	2	1	2	1	2	1	1	1	2
68	1413899	Flue Rise Assembly	1	1	1	2	1	2	1	2	1	1	1	2
69	1412900	Motor Mount Plate Gce	1	1	1	2	1	2	1	2	1	1	1	2
70	1412799	Motor Mount Pocket Assembly	1	1	1	2	1	2	1	2	1	1	1	2

* NOT ILLUSTRATED

RECOMMENDED STOCK PARTS

GARLAND PARTS IDENTIFICATION

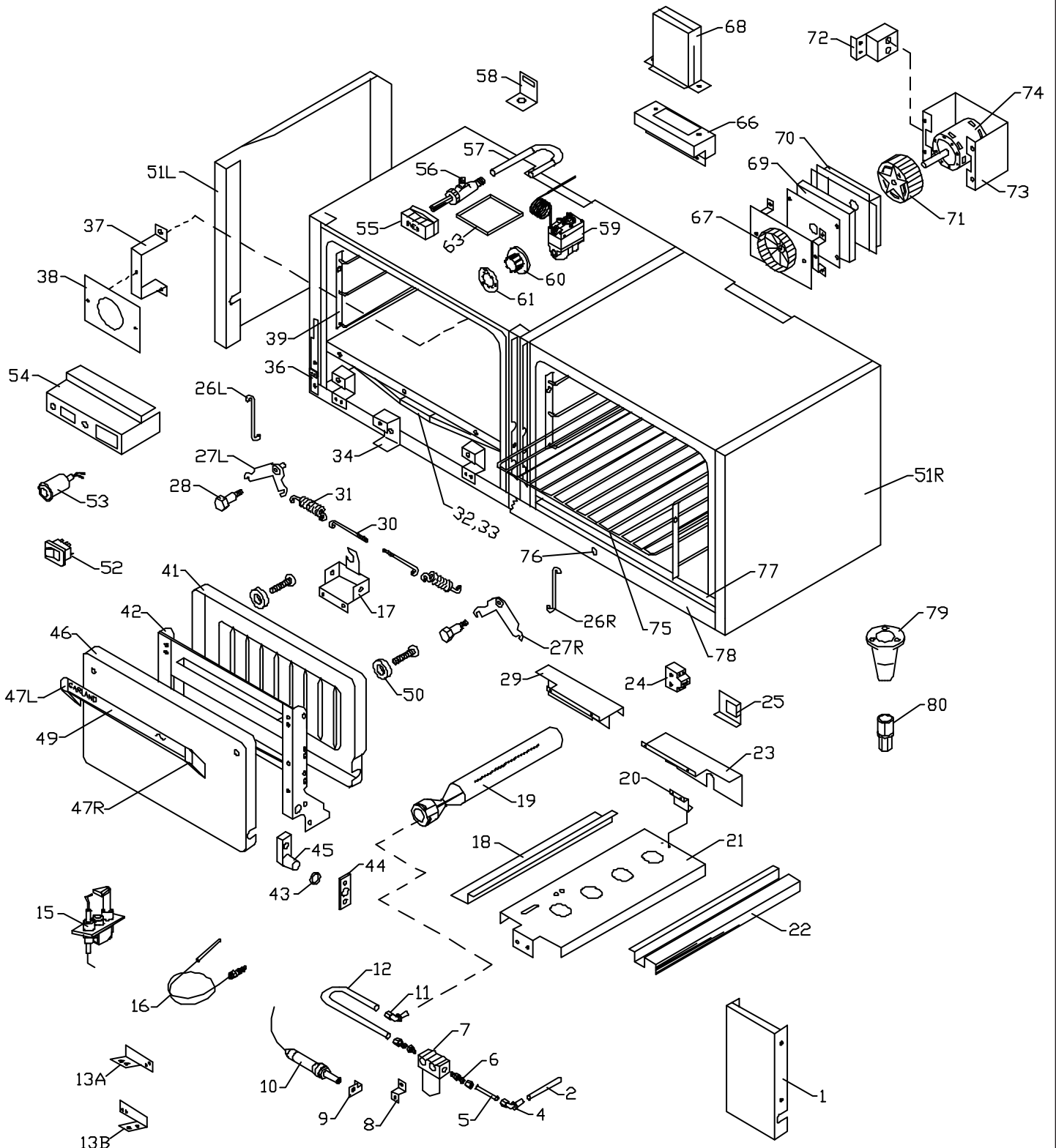
Restaurant Range Convection Oven Flame Failure Series Models:

G281RCFF, G282RCFF, G283RCFF, G283RC2FF, G284RCFF, G284RC2FF, G285RCFF,
G285RC2FF, G286RCFF, G287RCFF, G289RCFF, and G289RC2FF

ITEM	PART #	DESCRIPTION	MODEL											
			QUANTITY											
			G281RCFF	G282RCFF	G283RCFF	G283RC2FF	G284RCFF	G284RC2FF	G285RCFF	G285RC2FF	G286RCFF	G287RCFF	G289RCFF	G289RC2FF
71	1025360	Motor Blower Wheel	1	1	1	2	1	2	1	2	1	1	1	2
72	1413100	Junction Box	1	1	1	2	1	2	1	2	1	1	1	2
73	1413000	Motor Mount Cover	1	1	1	2	1	2	1	2	1	1	1	2
74	1003031	Motor 115V 60 Hz	1	1	1	2	1	2	1	2	1	1	1	2
	1003030	Motor 208/230V 60/50Hz	1	1	1	2	1	2	1	2	1	1	1	2
75	2301200	Oven Rack Assembly	3	3	3	6	3	6	3	6	3	3	3	6
76	1028802	Heyco Bushing	1	1	1	2	1	2	1	2	1	1	1	2
77	1374003	Kick Panel Upper S/S 30"	1	1								1	1	
	1374007	Kick Panel Upper 60"	1	1								1	1	
78	1374111	Kick Panel Lower 30"	1	1								1	1	
	1374113	Kick Panel Lower	1	1								1	1	
79	2093800	Leg Retainer 4" (Opt.)	4	4	4	4	4	4	4	4	4	4	4	4
Optional														
*	1027600	Leg Retainer 6" (Std.)	4	4	4	4	4	4	4	4	4	4	4	4
	2026299	Flanged Leg Retainer Assembly	4	4	4	4	4	4	4	4	4	4	4	4
80	115052	Bullet Legs	4	4	4	4	4	4	4	4	4	4	4	4
Optional														
*	1027800	Swivel Caster Less Break	2	2	2	2	2	2	2	2	2	2	2	2
	1027801	Swivel Caster C/W Break	2	2	2	2	2	2	2	2	2	2	2	2
	2063700	Swivel Caster Less Break (UK Only)	2	2	2	2	2	2	2	2	2	2	2	2
	2062701	Swivel Caster With Break (UK Only)	2	2	2	2	2	2	2	2	2	2	2	2
	2393999	Flanged Leg Assembly	4	4	4	4	4	4	4	4	4	4	4	4
The Parts Below Are Used On The G280RC Series Convection Ovens From Serial Number 121331														
81*	G01479-01	TJS Safety Valve	1	1	1	2	1	2	1	2	1	1	1	2
82*	G03699-1-6	Safety Valve Bracket H280	1	1	1	2	1	2	1	2	1	1	1	2
83*	1095499	Straight Connector 3/8 x 7/16 CC	1	1	1	2	1	2	1	2	1	1	1	2
84*	G02352-1	Elbow 3/8 NPT TO 7/16CC 69-7C	1	1	1	2	1	2	1	2	1	1	1	2
85*	1028312	3/16 Alum Tubing	1	1	1	2	1	2	1	2	1	1	1	2
86*	2301100	Steel Tubing Safety to Orifice 7/16"	1	1	1	2	1	2	1	2	1	1	1	2
87*	1794201	Oven Door Handle Spacer Gray	2	2	2	4	2	4	2	4	2	2	2	4

* NOT ILLUSTRATED

RECOMMENDED STOCK PARTS



Restaurant Range Oven 04.dwg

GARLAND PARTS IDENTIFICATION

Restaurant Range Convection Oven Models:

**G281RC, G282RC, G283RC, G283RC2, G284RC, G284RC2, G285RC,
G285RC2, G286RC, G287RC, G289RC, and G289RC2**

ITEM	PART #	DESCRIPTION	MODEL												
			QUANTITY												
			G281RC	G282RC	G283RC	G283RC2	G284RC	G284RC2	G285RC	G285RC2	G286RC	G287RC	G289RC	G289RC2	
1	1081506	Centre Column	1	1									1		
	1081505	Centre Column			1	1	1	1	1	1	1				
	1370103	Centre Column S/S												1	1
2	1439300	Oven Tubing Left	1	1	1	1	1	1	1	1	1	1	1	1	2
	1439400	Oven Tubing Right			1	1									
	1439500	Oven Tubing Right					1	1							
	1439600	Oven Tubing Right							1	1					
3*	1028382	3/16 Alum Tubing 82.00"	1	1	1	2	1	2	1	2	1	1	1	1	2
4	1313800	Elbow 90 Degree Brass #65-7	1	1	1	2	1	2	1	2	1	1	1	1	2
5	1392301	7/16 Tube Baso To Oven .146"	1	1	1	2	1	2	1	2	1	1	1	1	2
6	1095499	Straight Connector 3/8 x 7/16 CC	2	2	2	4	2	4	2	4	2	2	2	2	4
7	1415703	Hi-Temp Baso Valve	1	1	1	2	1	2	1	2	1	1	1	1	2
8	1391500	Safety Valve Bracket	1	1	1	2	1	2	1	2	1	1	1	1	2
9	1413200	Support Bracket	1	1	1	2	1	2	1	2	1	1	1	1	2
10	1309201	Piezo Igniter #1244-41	1	1	1	2	1	2	1	2	1	1	1	1	2
11	1415533F	Oven Orifice Fitting	1	1	1	2	1	2	1	2	1	1	1	1	2
	1415550F	Oven Orifice Fitting Propane	1	1	1	2	1	2	1	2	1	1	1	1	2
	14155XX	Oven Orifice Fitting W/O Hood	1	1	1	2	1	2	1	2	1	1	1	1	2
12	1392500	7/16 Tube Safety to Orifice	1	1	1	2	1	2	1	2	1	1	1	1	2
13A	2354300	Oven Pilot Bracket	1	1	1	2	1	2	1	2	1	1	1	1	2
13B	1481800	Pilot Burner Bracket	1	1	1	2	1	2	1	2	1	1	1	1	2
14*	1028310	Aluminum Tubing 3/16 X 028 X 10 Long	1	1	1	2	1	2	1	2	1	1	1	1	2
15	2206506	Spark Ignition Pilot Natural	1	1	1	2	1	2	1	2	1	1	1	1	2
	2206507	Spark Ignition Pilot Propane	1	1	1	2	1	2	1	2	1	1	1	1	2
16	4518817	Thermocouple 18" (Slip-In-Type)	1	1	1	2	1	2	1	2	1	1	1	1	2
17	1361000	Orifice Bracket	1	1	1	2	1	2	1	2	1	1	1	1	2
18	1390900	Burner Slide RT & LT As Of Jan. 1, 2005	1	1	1	2	1	2	1	2	1	1	1	1	2
19	9102000	Oven Burner	1	1	1	2	1	2	1	2	1	1	1	1	2
20	1411100	Burner Support	1	1	1	2	1	2	1	2	1	1	1	1	2
21	1391600	Oven Burner Rest Supt	1	1	1	2	1	2	1	2	1	1	1	1	2
22	1390800	Burner Slide & Tube Shield (No Longer used) As of Jan. 1, 2005	1	1	1	2	1	2	1	2	1	1	1	1	2
23	1391100	Roll Out Shield Suppt	1	1	1	2	1	2	1	2	1	1	1	1	2
	1390701	Right Roll Out Shield	1	1	1	2	1	2	1	2	1	1	1	1	2
24	1019600	Micro Door Switch	1	1	1	2	1	2	1	2	1	1	1	1	2
25	1386000	Door Switch Shield	1	1	1	2	1	2	1	2	1	1	1	1	2
26R	1082802	Oven Door Hinge Link RT	1	1	1	2	1	2	1	2	1	1	1	1	2
26L	1082803	Oven Door Hinge Link LT	1	1	1	2	1	2	1	2	1	1	1	1	2
27R	1082199	R/H Bell Crank Assembly	1	1	1	2	1	2	1	2	1	1	1	1	2
27L	1082197	Rc Crank-Sub 1082198/G01503-16	1	1	1	2	1	2	1	2	1	1	1	1	2
28	GF299	1/4-20 X 1/2 Shoulder Bolt	2	2	2	4	2	4	2	4	2	2	2	2	4
29	1391000	Left Roll Out Shield	1	1	1	2	1	2	1	2	1	1	1	1	2
	2330900	Left Roll Out Shield (RC)	1	1	1	2	1	2	1	2	1	1	1	1	2
30	9004701	Oven Door Spring Hook	2	2	2	4	2	4	2	4	2	2	2	2	4
31	1005800	Door Spring	2	2	2	4	2	4	2	4	2	2	2	2	4
32	1412099	Fire Plate Frt Supt Assy	1	1	1	2	1	2	1	2	1	1	1	1	2

* NOT ILLUSTRATED

RECOMMENDED STOCK PARTS

GARLAND PARTS IDENTIFICATION

Restaurant Range Convection Oven Models:

**G281RC, G282RC, G283RC, G283RC2, G284RC, G284RC2, G285RC,
G285RC2, G286RC, G287RC, G289RC, and G289RC2**

ITEM	PART #	DESCRIPTION	MODEL											
			QUANTITY											
			G281RC	G282RC	G283RC	G283RC2	G284RC	G284RC2	G285RC	G285RC2	G286RC	G287RC	G289RC	G289RC2
33	1357700	Fire Plate	1	1	1	2	1	2	1	2	1	1	1	2
34	1373900	Lower Kick Panel Support	2	2	2	4	2	4	2	4	2	2	2	4
35*	G01503-20	Weld Stud 1/4 - 20 x 2-1/4	1	1	1	2	1	2	1	2	1	1	1	2
36	1374500	Upper Kick Panel Support Bracket	2	2	2	2	2	2	2	2	2	2	2	2
37	1361299	Air Baffle Supt Assembly	2	2	2	4	2	4	2	4	2	2	2	4
38	1313099	Air Baffle Enamelled	1	1	1	2	1	2	1	2	1	1	1	2
	1031901	Thumb Screw	2	2	2	4	2	4	2	4	2	2	2	4
39	1311100	Rack Guide Ass'y LT RC	1	1	1	2	1	2	1	2	1	1	1	2
	1311101	Rack Guide Ass'y RT RC	1	1	1	2	1	2	1	2	1	1	1	2
40*	1356600	Rack Glide Clip	4	4	4	8	4	8	4	8	4	4	4	8
41	1439796	Oven Door Lining Enamelled	1	1	1	2	1	2	1	2	1	1	1	2
42	G03984-03-8	Oven Door Insert Assembly	1	1	1	2	1	2	1	2	1	1	1	2
43	1082700	Harness Ring 7GA.	2	2	2	4	2	4	2	4	2	2	2	4
44	1083001	Trunion Support	2	2	2	4	2	4	2	4	2	2	2	4
45	1082500	Oven Door Trunion	2	2	2	4	2	4	2	4	2	2	2	4
46	1439901	Oven Door Panel	1	1	1	2	1	2	1	2	1	1	1	2
47R	9003700	Handle R/H	1	1	1	2	1	2	1	2	1	1	1	2
47L	9003701	Handle L/H	1	1	1	2	1	2	1	2	1	1	1	2
48*	1592000	Handle Overlay 24-3/8" x 1/21/64"	1	1	1	2	1	2	1	2	1	1	1	2
49	1589100	Extruded Handle Bar 24-3/8"	1	1	1	2	1	2	1	2	1	1	1	2
50	1120416	Aluminum Padded Washer	2	2	2	4	2	4	2	4	2	2	2	4
51R	1081104	Body Side R/H S/S										1		1
	1081113	Body Side R/H S/S										1		1
51L	1081109	Body Side L/H S/S										1		1
	1081108	Body Side L/H S/S										1		1
52	1358900	Power Switch/ON/OFF/ON (w/o Light)	1	1	1	2	1	2	1	2	1	1	1	2
53	G01296-3	Pilot Green	1	1	1	2	1	2	1	2	1	1	1	2
54	1414002	S/S Switch Panel Rc	1	1	1		1		1		1	1	1	
	1414003	Switch Panel Rc2 S/S				1		1		1				1
55	1089101	Knob (Oven)	1	1	1	2	1	2	1	2	1	1	1	2
56	1085999	Valve - Oven Burner	1	1	1	2	1	2	1	2	1	1	1	2
57	1090311	Tubing For Thermostat Manifold	1	1	1	2	1	2	1	2	1	1	1	2
58	1090900	FD Control Bracket	1	1	1	2	1	2	1	2	1	1	1	2
59	G03145-048	FD Control Assembly	1	1	1	2	1	2	1	2	1	1	1	2
60	G0271603	Dial - (Universal) Large Shaft	1	1	1	2	1	2	1	2	1	1	1	2
61	G0275-16	Dial Insert (150°F/500°F)	1	1	1	2	1	2	1	2	1	1	1	2
	G0275-6	Dial Insert (70°C/260°C)	1	1	1	2	1	2	1	2	1	1	1	2
62*	1355900	Body Side Stiffener Bracket	2	2	2	4	2	4	2	4	2	2	2	4
	1360300	Main Back Extension H280										2		1
63	1412400	Vent Slide Housing	1	1	1	2	1	2	1	2	1	1	1	2
64*	1412300	Vent Slide	1	1	1	2	1	2	1	2	1	1	1	2
65*	1359200	Bb Bottom H284 RC	1	1	1	2	1	2	1	2		1		
	1359201	Bb Bottom H286 RC										1		1
66	1413900	Flue Box	1	1	1	2	1	2	1	2	1	1	1	2
67	1270301	Inner Blower Wheel (Steel)	1	1	1	2	1	2	1	2	1	1	1	2
68	1413899	Flue Rise Assembly	1	1	1	2	1	2	1	2	1	1	1	2
69	1412900	Motor Mount Plate Gce	1	1	1	2	1	2	1	2	1	1	1	2

* NOT ILLUSTRATED

RECOMMENDED STOCK PARTS

GARLAND PARTS IDENTIFICATION

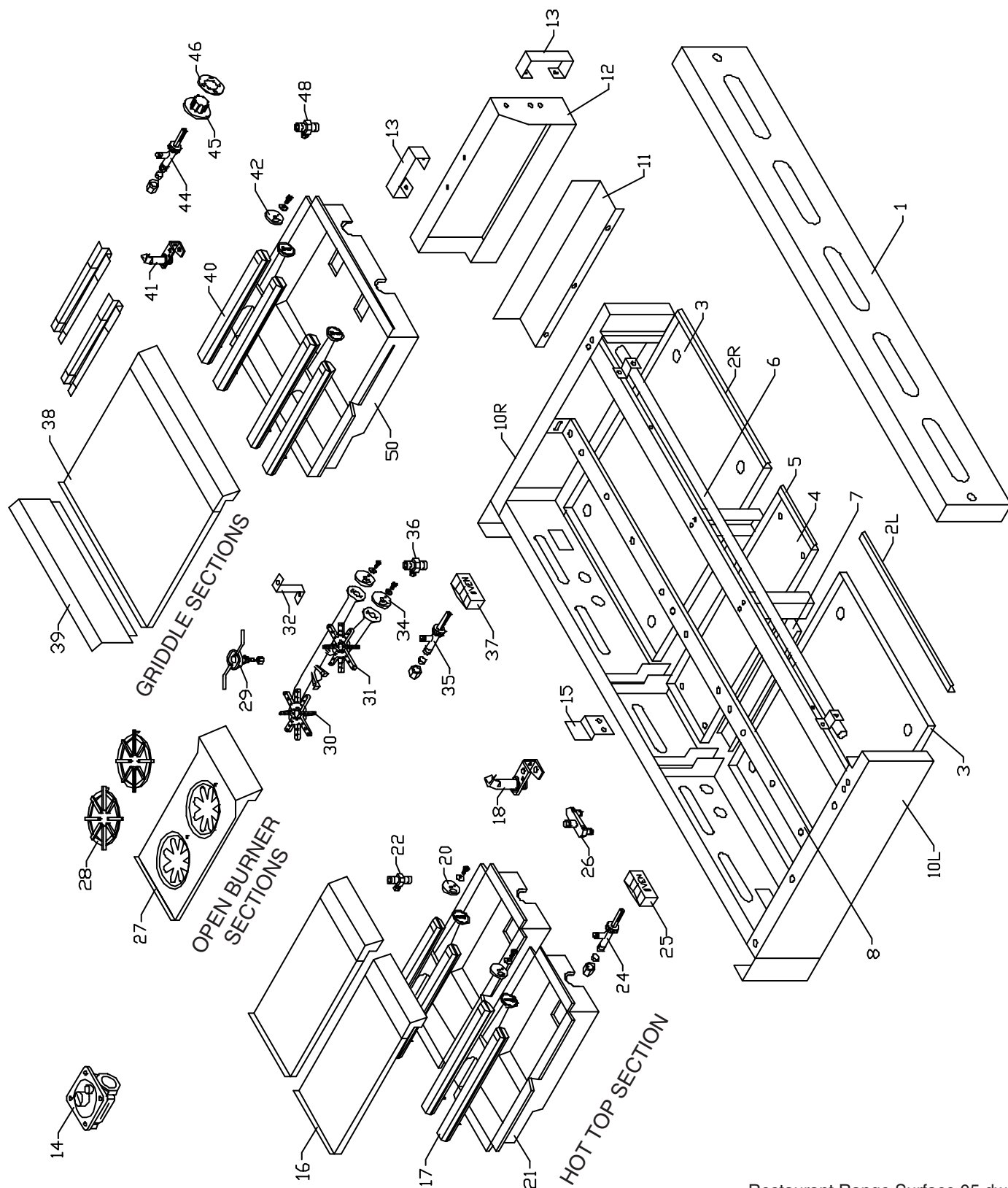
Restaurant Range Convection Oven Models:

**G281RC, G282RC, G283RC, G283RC2, G284RC, G284RC2, G285RC,
G285RC2, G286RC, G287RC, G289RC, and G289RC2**

ITEM	PART #	DESCRIPTION	MODEL											
			QUANTITY											
			G281RC	G282RC	G283RC	G283RC2	G284RC	G284RC2	G285RC	G285RC2	G286RC	G287RC	G289RC	G289RC2
70	1412799	Motor Mount Pocket Assembly	1	1	1	2	1	2	1	2	1	1	1	2
71	1025360	Motor Blower Wheel	1	1	1	2	1	2	1	2	1	1	1	2
72	1413100	Junction Box	1	1	1	2	1	2	1	2	1	1	1	2
73	1413000	Motor Mount Cover	1	1	1	2	1	2	1	2	1	1	1	2
74	1003031	Motor 115V 60 Hz	1	1	1	2	1	2	1	2	1	1	1	2
	1003030	Motor 208/230V 60/50Hz	1	1	1	2	1	2	1	2	1	1	1	2
75	2301200	Oven Rack Assembly	3	3	3	6	3	6	3	6	3	3	3	6
76	1028802	Heyco Bushing	1	1	1	2	1	2	1	2	1	1	1	2
77	1374003	Kick Panel Upper S/S 30"	1	1								1	1	
	1374007	Kick Panel Upper 60"	1	1								1	1	
78	1374111	Kick P16anel Lower 30"	1	1								1	1	
	1374113	Kick Panel Lower	1	1								1	1	
79	2093800	Leg Retainer 4" (Opt.)	4	4	4	4	4	4	4	4	4	4	4	4
Optional														
*	1027600	Leg Retainer 6" (Std.)	4	4	4	4	4	4	4	4	4	4	4	4
	2026299	Flanged Leg Retainer Assembly	4	4	4	4	4	4	4	4	4	4	4	4
80	115052	Bullet Legs	4	4	4	4	4	4	4	4	4	4	4	4
Optional														
*	1027800	Swivel Caster Less Break	2	2	2	2	2	2	2	2	2	2	2	2
	1027801	Swivel Caster C/W Break	2	2	2	2	2	2	2	2	2	2	2	2
	2063700	Swivel Caster Less Break (UK Only)	2	2	2	2	2	2	2	2	2	2	2	2
	2062701	Swivel Caster With Break (UK Only)	2	2	2	2	2	2	2	2	2	2	2	2
	2393999	Flanged Leg Assembly	4	4	4	4	4	4	4	4	4	4	4	4
The Parts Below Are Used On The G280 Series Convection Ovens From Serial Number 121331														
81*	G01479-01	TJS Safety Valve	1	1	1	2	1	2	1	2	1	1	1	2
82*	G03699-1-6	Safety Valve Bracket H280	1	1	1	2	1	2	1	2	1	1	1	2
83*	1095499	Straight Connector 3/8 x 7/16 CC	1	1	1	2	1	2	1	2	1	1	1	2
84*	G02352-1	Elbow 3/8 NPT TO 7/16CC 69-7C	1	1	1	2	1	2	1	2	1	1	1	2
85*	1028312	3/16 Alum Tubing	1	1	1	2	1	2	1	2	1	1	1	2
86*	2301100	Steel Tubing Safety to Orifice 7/16"	1	1	1	2	1	2	1	2	1	1	1	2
87*	1794201	Oven Door Handle Spacer Gray												

* NOT ILLUSTRATED

RECOMMENDED STOCK PARTS



GARLAND PARTS IDENTIFICATION
Restaurant Range Surface Plate Sections
Models: G28, G284, G286, G287, G288 , and G289

ITEM	PART #	DESCRIPTION	MODEL					
			QUANTITY					
			G28	G284	G286	G287	G288	G289
1	1296900	Valve Panel		1	1			
	1296905	Valve Panel						
	1370600	Valve Panel					1	
	1370800	Valve Panel G289 Std						1
	1370500	Valve Panel	1					
2R	1365702	Drip Tray Handle R/H		1	1	1		
2L	1365702	Drip Tray Handle L/H	1	1		1	1	
3	1090003	Drip Pan Large 21 x 25	1	2	1	2	2	2
4	1090103	Drip Pan Small 10 x 25		1	1	1		2
5	1365700	Drip Pan Handle 12"		1	1	1		2
6	1085898	Manifold- H286			1			
	1087197	Manifold - H284		1				
	2202699	Manifold - H28	1					
	2202799	Manifold - H288 New G288					1	
	9002499	Manifold Assembly Old G288					1	
	9002599	Manifold - H289						1
7	2141900	Drip Tray Guide	2					
	1414700	Drip Pan Guide		2	1			
8	1295900	Burner Rest 24"	1					
	1295901	Burner Rest 36"			1			
	1295902	Burner Rest 60"		1				
9*	G02251-1	Pressure Test Spigot	1	1	1	1	1	1
10L	1397103	Burner Box Side LH S/S	1	1	1	1	1	1
10R	1397101	Burner Box Side RH S/S	1	1	1	1	1	1
11	1391801	Grease Bucket Support S/S	1	1	1	1	1	1
12	1391902	Grease Bucket R/H S/S	1	1	1	1	1	1
13	11391701	Grease Bucket Handle	2	2	2	2	2	2
14	2127500	Gas Regulator Propane 10"	1	1	1	1	1	1
	2127502	Gas Regulator Natural 4.5"	1	1	1	1	1	1
15	1081600	H/S Front Panel Stabilizer	1	1	1	1	1	1
ITEM	PART #	DESCRIPTION	HOT TOP SECTIONS					
16	1363899	Hot Top Plate Assembly	1	2	3	4	5	6
17	1014901	Griddle H Burner	1	2	3	4	5	6
18	1415300	2C-2 Pilot Natural	1	2	3	4	5	6
	1415301	2C-2 Pilot Propane	1	2	3	4	5	6
19*	1028308	3/16 Aluminum Tubing	1	2	3	4	5	6
20	1028002	Air Shutter	1	2	3	4	5	6
21	1092098	Insert Burner Box Assembly	1	2	3	4	5	6
22	1086597	3/16 Pilot Adjusting Valve	1	2	3	4	5	6
23*	2203400	Counter Sink Hex Pipe Plug 1/8" NPT	Specify Model					
24	M8-47	Small Orifice 47 Size	1	2	3	4	5	6
	M8-56	Small Hood Propane	1	2	3	4	5	6
	26878XX	Valve Assembly Less Hood LML-15	1	2	3	4	5	6
25	1089100	Knob	1	2	3	4	5	6
26	1510402	3/16 x 3/16 Y Pilot Adjust Valve	Specify Model					

* NOT ILLUSTRATED

RECOMMENDED STOCK PARTS

GARLAND PARTS IDENTIFICATION

Restaurant Range Surface Plate Sections

Models: G28, G284, G286, G287, G288 , and G289

ITEM	PART #	DESCRIPTION	OPEN BURNER SECTIONS					
			Models with Suffix "Y" See Below					
			12"	24"	36"	48"	60"	72"
27	1372099	Top Grate Enamelled 14K	1	2	3	4	5	6
28	1361601	Ring Grate 14K	2	4	6	8	10	12
29	G7804-280	Lighter Assembly	1	2	3	4	5	6
30	1089200	Top Burner Rear	1	2	3	4	5	6
31	1089201	Top Burner Front	1	2	3	4	5	6
32	1388900	Top Lighter Arm Support	1	2	3	4	5	6
33*	1032617	Top Lighter Tube 1/8 OD x 17	1	2	3	4	5	6
34	1028000	Air Shutter	2	4	6	8	10	12
35	M8-51	Small Orifice 51 Size	2	4	6	8	10	12
	M8-46	Small Hood Propane	2	4	6	8	10	12
	26878XX	Valve Assembly Less Hood LML-15	2	4	6	8	10	12
36	1086199	Gum Valve 1/8	Specify Model					
	1510403	Gum Valve (Double) 1/8 x 3/16	Specify Model					
37	1089100	Knob						

Models With Suffix "Y"

ITEM	PART #	DESCRIPTION	OPEN BURNER SECTIONS					
			12"	24"	36"	48"	60"	72"
27	2220298	Top Grate Enamelled 20K	1	2	3	4	5	6
28	1361606	Ring Grate 20K – Porcelain	2	4	6	8	10	12
29	G7804-280	Lighter Assembly	1	2	3	4	5	6
30	2217301	Rear Burner 20 K	1	2	3	4	5	6
31	2217300	Front Burner 20K	1	2	3	4	5	6
32	2271100	Top Lighter Bracket 20K	1	2	3	4	5	6
33*	1032617	Top Lighter Tube 1/8 OD x 17	1	2	3	4	5	6
34	1028000	Air Shutter	2	4	6	8	10	12
35	M8-43	Small Orifice 43 Size Natural	2	4	6	8	10	12
	M8-55	Small Orifice 55 Size	2	4	6	8	10	12
	26878XX	Valve Assembly Less Hood LML-15	2	4	6	8	10	12
36	1086199	Gum Valve 1/8	Specify Model					
	1510403	Gum Valve (Double) 1/8 x 3/16	Specify Model					
37	1089100	Knob						

* NOT ILLUSTRATED

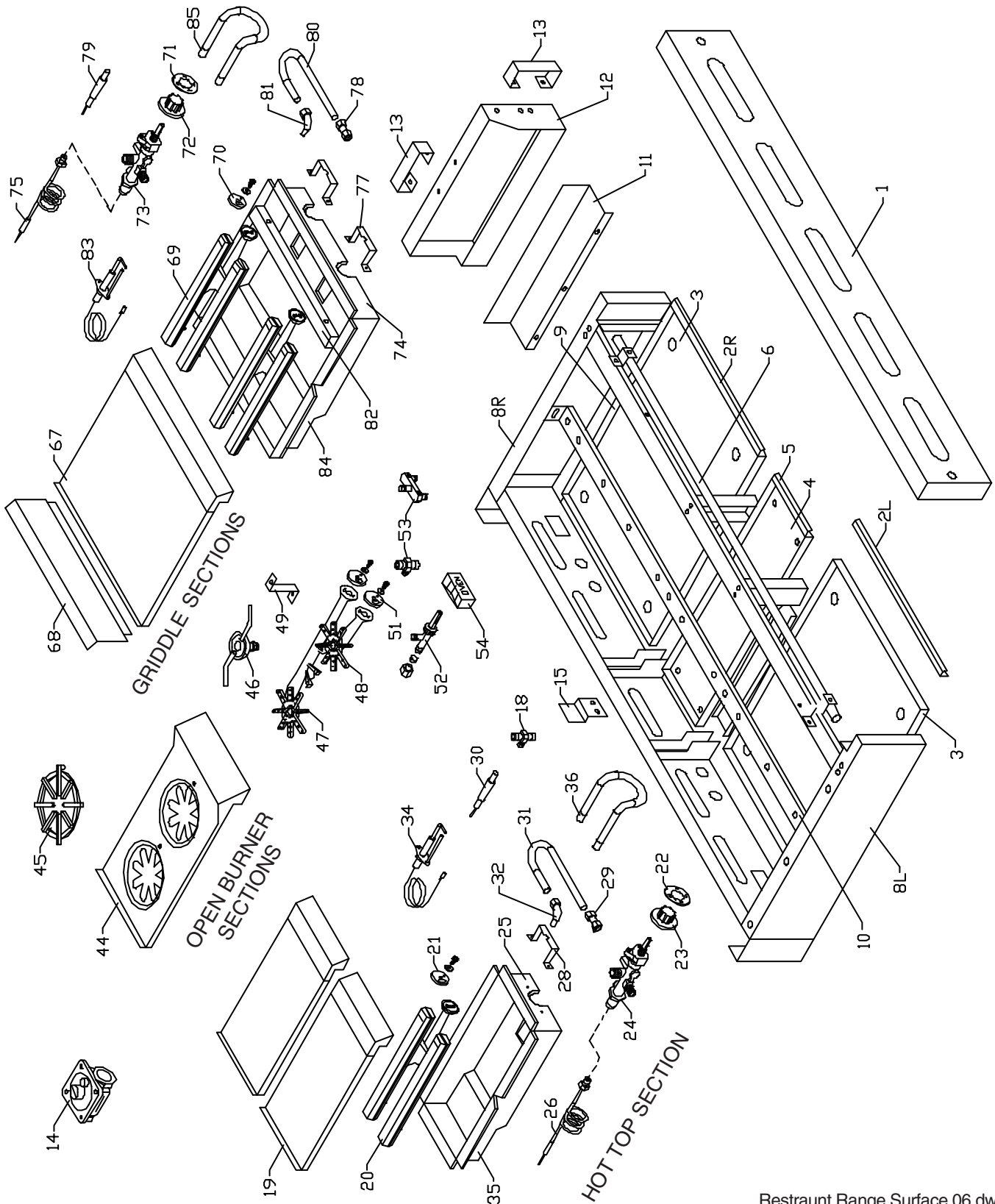
RECOMMENDED STOCK PARTS

GARLAND PARTS IDENTIFICATION
Restaurant Range Surface Plate Sections
Models: G28, G284, G286, G287, G288 , and G289

ITEM	PART #	DESCRIPTION	GRIDDLE SECTIONS			
			12"	24"	36"	48"
38	1363993	Griddle Assembly 12" G Bd	1			
	1367899	Griddle Assembly 12 GTH BD	1			
	1363992	Broil/Griddle Assembly 24" Bd		1		
	1367898	Griddle Assembly 24" Gth Bd		1		
	1363787	Griddle Assembly L/H 24" Sd		1		
	1363786	Broil/Griddle Assembly R/H 24" Sd		1		
	1367798	Griddle Assembly 24" Gth L/H		1		
	1367799	Griddle Assembly 24" Gth R/H		1		
	1363792	Griddle Assembly L/H 36" Sd			1	
	1363798	Griddle Assembly R/H 36" Sd			1	
	1367796	Griddle Assembly 36" Gth L/H			1	
	1367797	Griddle Assembly 36" Gth R/H			1	
	1363791	Griddle Assembly 48" L/H Sd				1
	1363795	Griddle Assembly 48" R/H Sd				1
1367794	Griddle Assembly L/H 48" Gth				1	
1367795	Griddle Assembly R/H 48" Gth				1	
39	1281999	Griddle Front Splash Assembly 12"	1			
	1281998	Griddle Front Splash Assembly 24"		1		
	1281997	Griddle Front Splash Assembly 36"			1	
	1281996	Griddle Front Splash Assembly 48"				1
40	1014901	Griddle H Burner	1	2	3	4
41	1415300	2C-2 Pilot Natural	1	2	3	4
	1415301	2C-2 Pilot Propane	1	2	3	4
42	1028002	Air Shutter	1	2	3	4
43*	22003400	Counter Sink Hex Pipe Plug 1/8" NPT	Specify Model			
44	1086583	Hi-Low Valve NAT #47 W/EXT	1	2	3	4
	1086588	Hi-Low Valve-Lp	1	2	3	4
	1092192	Thermostat #47F Natural	1	2	3	4
	1092198	UN Thermostat LP	1	2	3	4
45	G02725-2	Dial Insert (OFF/MAX/MIN)	1	2	3	4
	G02725-14	Dial Insert (OFF/100°F/450°F)	1	2	3	4
	G02725-7	Dial Insert (OFF/40°C/230°C)	1	2	3	4
46	G02716-2	Dial - (Universal) Medium Shaft	1	2	3	4
47*	1510402	3/16 x 3/16 Y Pilot Adjust Valve	Specify Model			
48	1086597	3/16 Pilot Adjusting Valve	Specify Model			
49*	1028308	3/16 Aluminum Tubing	1	2	3	4
50	1092098	Insert Burner Box Assembly	1		1	
	1092099	Insert Burner Box Assembly		1	1	2
51*	1473499	Bulb Clamp & Shield Assembly Optional Part	1	2	3	4
52*	1556600	Thermostat Heat Shield	1		1	
	1556601	Thermostat Heat Shield		1	1	2

* NOT ILLUSTRATED

RECOMMENDED STOCK PARTS



Restraunt Range Surface 06.dwg

GARLAND PARTS IDENTIFICATION

Restaurant Range Surface Plate Sections Flame Failure Series

Models: G28FF, G284FF, G286FF, G287FF, G288FF, and G289FF

ITEM	PART #	DESCRIPTION	MODEL					
			QUANTITY					
			G28FF	G284FF	G286FF	G287FF	G288FF	G289FF
1	2348700	Valve Panel (G28A Australia)	1					
	1370500	Valve Panel	1					
	2349000	Valve Panel (G284A Australia)		1		1		
	1296905	Valve Panel		1		1		
	2348900	Valve Panel (G286A Australia)			1			2
	1296900	Valve Panel			1			2
	2348800	Valve Panel (G288A Australia)					1	
	1370600	Valve Panel					1	
2L	1365702	Drip Tray Handle L/H		1	1	1		2
2R	1365701	Drip Tray Handle R/H	1	1		1	1	
3	1090003	Drip Pan Large 21 x 25	1	2	1	2	2	2
4	1090103	Drip Tray Small 10 x 25		1	1	1		2
5	1365700	Drip Pan Handle 12"		1	1	1	1	2
6	9002399	Manifold Assembly	1					
	2202399	Manifold - H28	1					
	2224199	Manifold Assembly		1		1		
	2203099	G284A Manifold Flame Failure		1		1		
	2224099	Manifold Assembly			1			2
	2203199	G286A Manifold Flame Failure			1			2
	2225699	Manifold Assembly					1	
	2202799	Manifold - H288					1	
7*	G02251-1	Pressure Test Spigot	1	1	1	1	1	1
8L	1397103	Burner Box Side LH S/S	1	1	1	1	1	1
8R	1397101	Burner Box Side RH S/S	1	1	1	1	1	1
9	2141900	Drip Tray Guide	2					
	1414700	Drip Pan Guide		2	1			
10	1295900	Burner Rest 24"	1					
	1295901	Burner Rest 36"			1			
	1295902	Burner Rest 60"		1				
11	1391801	Grease Bucket Support S/S	1	1	1	1	1	1
12	1391902	Grease Bucket R/H S/S	1	1	1	1	1	1
13	1391701	Grease Bucket Handle S/S	1	1	1	1	1	1
14	2127500	Gas Regulator Propane 10"	1	1	1	1	1	1
	2127502	Gas Regulator Natural 4.5"	1	1	1	1	1	1
15	1081600	H/S Front Panel Stabilizer	1	1	1	1	1	1
16*	2203400	Counter Sunk Hex Pipe Plug 1/8" NPT	Specify Model					
17*	G03601-1	Valve Shut Off 1/4 Turn						
18	1086597	3/16 Pilot Adjusting Valve						

* NOT ILLUSTRATED

RECOMMENDED STOCK PARTS

GARLAND PARTS IDENTIFICATION

Restaurant Range Surface Plate Sections Flame Failure Series

Models: G28FF, G284FF, G286FF, G287FF, G288FF, and G289FF

ITEM	PART #	DESCRIPTION	HOT TOP SECTIONS					
			1	2	3	4	5	6
19	1363899	Hot Top Plate Assembly	1	2	3	4	5	6
20	1014901	Griddle H Burner	1	2	3	4	5	6
21	1028002	Air Shutter	1	2	3	4	5	6
22	G02725-35	Dial Insert	1	2	3	4	5	6
	G02725-33	Dial Insert (OFF/MAX/MIN)	1	2	3	4	5	6
23	G02716-4	Dial	1	2	3	4	5	6
	G02716-2	Dial - (Universal) Medium Shaft	1	2	3	4	5	6
24	2200199	FF Valve Master/Sentry	1	2	3	4	5	6
	2043500	Flame Failure Valve Natural	1	2	3	4	5	6
	2043501	Flame Failure Valve Propane	1	2	3	4	5	6
25	2175800	Burner Box Front	1	2	3	4	5	6
26	2200600	18" Thermocouple	1	2	3	4	5	6
	2155200	16" Thermocouple	1	2	3	4	5	6
27	2155202	M8 X Brass Nut	1	2	3	4	5	6
28	2188700	Orifice Support	1	2	3	4	5	6
	2175900	Orifice Mount Bracket	1	2	3	4	5	6
29	076050-8	Comp. Conn. 1/4T:1/8T	1	2	3	4	5	6
30	1309201	Piezo Igniter # 1244-41	1	2	3	4	5	6
31	G01494-4	1/4 Aluminum Tubing	1	2	3	4	5	6
	2270700	1/4 Tube Valve to Pilot	1	2	3	4	5	6
	2270800	3/16 Tube Valve to Pilot	1	2	3	4	5	6
32	G02486XX	Orifice Fitting	1	2	3	4	5	6
33*	2188801	Flue Seal 12 H	1	2	3	4	5	6
	2176100	Griddle Front Seal	1	2	3	4	5	6
34	2144100	Spark Electrode	1	2	3	4	5	6
35	2205399	Burner Box 12" S280	1	2	3	4	5	6
	2175699	Burner Box Assembly 12"	1	2	3	4	5	6
36	078235-1	Joystick Guard	1	2	3	4	5	6
37*	076029-165	Elbow 1/8 x 90 Degree Street	1	2	3	4	5	6
38*	2198102	Valve Connector Fitting 10mm	1	2	3	4	5	6
39*	G01917-1	Elbow 1/8" NPT STR. Brass 115-A	1	2	3	4	5	6
40*	2270900	Pilot Bracket HT	1	2	3	4	5	6
41*	2200700	Pilot Right Hand	1	2	3	4	5	6
	2200702	Pilot Orifice #32 (Natural)	1	2	3	4	5	6
	2200703	Pilot Orifice #23 (Propane)	1	2	3	4	5	6
	2200704	3/16" Compression Nut	1	2	3	4	5	6
	2200705	Olive 3/16" Ball Sleeve	1	2	3	4	5	6
	2200706	Nut Thermo Retaining	1	2	3	4	5	6
	2200707	Nut Electrode	1	2	3	4	5	6
	2200708	Electrode	1	2	3	4	5	6
42*	1086597	3/16 Pilot Adjusting Valve						
	G03674-2	Valve-Pilot 3/16" Angle 90 Deg						
43*	2200202	24" HT Wire Lead	1	2	3	4	5	6

* NOT ILLUSTRATED

RECOMMENDED STOCK PARTS

GARLAND PARTS IDENTIFICATION

Restaurant Range Surface Plate Sections Flame Failure Series

Models: G28FF, G284FF, G286FF, G287FF, G288FF, and G289FF

ITEM	PART #	DESCRIPTION	OPEN BURNER SECTIONS MODELS WITH SUFFIX "Y" SEE BELOW, FOR SUFFIX "X" SEE NEXT PAGE					
			12"	24"	36"	48"	60"	72"
44	1372099	Top Grate Enameled 14K	1	2	3	4	5	6
45	1361601	Ring Grate 14K	2	4	6	8	10	12
46	G7804-280	Lighter Assembly	1	2	3	4	5	6
47	1089200	Top Burner Rear	1	2	3	4	5	6
48	1989201	Top Burner Rear	1	2	3	4	5	6
49	1388900	Top Lighter Arm Support	1	2	3	4	5	6
50*	1032617	Top Lighter Tube 1/8 OD x 17	1	2	3	4	5	6
51	1028000	Air Shutter	2	4	6	8	10	12
52	26878XX	Valve Assembly Less Hood LML-15	2	4	6	8	10	12
53	1086199	Gum Valve 1/8	Specify Model					
	1510403	Gum Valve (Double) 1/8 x 3/16						
54	1089100	Knob	2	4	6	8	10	12

Models with Suffix "Y"

ITEM	PART#	DESCRIPTION	OPEN BURNER SECTIONS					
			12"	24"	36"	48"	60"	72"
44	2220298	Top Grate Enameled 20K	1	2	3	4	5	6
45	1361606	Ring Grate 20K – Porcelain	2	4	6	8	10	12
46	G7804-280	Lighter Assembly	1	2	3	4	5	6
47	2217301	Rear Burner 20K	1	2	3	4	5	5
48	2217300	Front Burner 20K	1	2	3	4	5	6
49	2271177	Top Lighter Bracket 20K	1	2	3	4	5	6
50*	1032617	Top Lighter Tube 1/8 OD x 17	1	2	3	4	5	6
51	102800	Air Shutter	2	4	6	8	10	12
52	26878XX	Valve Assembly Less Hood LML-15	2	4	6	8	10	12
53	1086199	Gum Valve 1/8	Specify Model					
	1510403	Gum Valve (Double) 1/8 x 3/16						
54	1089100	Knob	2	4	6	8	10	12

* NOT ILLUSTRATED

RECOMMENDED STOCK PARTS

GARLAND PARTS IDENTIFICATION

Restaurant Range Surface Plate Sections Flame Failure Series

Models: G28FF, G284FF, G286FF, G287FF, G288FF, and G289FF

Models With Suffix "X"

ITEM	PART #	DESCRIPTION	OPEN BURNER SECTIONS					
			12"	24"	36"	48"	60"	72"
44	1372099	Top Grate Enameled 14K	1	2	3	4	5	6
45	1361601	Ring Grate 14K	2	4	6	8	10	12
47	1089200	Top Burner Rear	1	2	3	4	5	6
48	1089201	Top Burner Front	1	2	3	4	5	6
50*	2323400	Pilot Tube-Front	1	2	3	4	5	6
	2324100	Pilot Tube-Rear Burner Pilot	1	2	3	4	5	6
53	1086199	Gum Valve 1/8	Specify Model					
	151043	Gum Valve (Double) 1/8 x 3/16						
54	1089100	Knob						
55*	2187100	Flame Failure Valve Oven	2	4	6	8	10	12
56*	2325000	Orifice Block	2	4	6	8	10	12
57*	076050-8-	Elbow Compression 1/4T x 1/8P	2	4	6	8	10	12
58*	21045XX	Orifice Fitting	2	4	6	8	10	12
59*	G03674-2	Valve-Pilot 3/16" Angle 90 Deg	2	4	6	8	10	12
60*	076050-23	Elbow Compression 1/4T X 1/4CC	2	4	6	8	10	12
61*	2200701	Left Pilot	2	4	6	8	10	12
	2200702	Pilot Orifice #32 (Natural)	2	4	6	8	10	12
	2200703	Pilot Orifice #23 (Propane)	2	4	6	8	10	12
	2200704	3/16" Compression Nut	2	4	6	8	10	12
	2200705	Olive 3/16" Ball Sleeve	2	4	6	8	10	12
	2200706	Nut Thermo Retaining	2	4	6	8	10	12
62*	2200600	18" Thermocouple	1	2	3	4	5	6
	2200602	24" Thermocouple	1	2	3	4	5	6
63*	2324000	Pilot Tube Front	1	2	3	4	5	6
	2323100	Pilot Tube Rear Burner Pilot	1	2	3	4	5	6
64*	2323200	Pilot Mounting Bracket	1	2	3	4	5	6
65*	G02716-2	Dial (Universal) Medium Shaft	2	4	6	8	10	12
66*	G02725-38	Dial Insert	2	4	6	8	10	12

* NOT ILLUSTRATED

RECOMMENDED STOCK PARTS

GARLAND PARTS IDENTIFICATION

Restaurant Range Surface Plate Sections Flame Failure Series

Models: G28FF, G284FF, G286FF, G287FF, G288FF, and G289FF

ITEM	PART #	DESCRIPTION	GRIDDLE SECTIONS			
			12"	24"	36"	48"
67	1363993	Griddle Assembly 12" G Bd	1			
	1363992	Broil/Griddle Assembly 24" Bd		1		
	1363787	Griddle Assembly L/H 24" Sd		1		
	1363786	Broil/Griddle Assembly R/H 24"Sd		1		
	1363798	Griddle Assembly R/H 36" Sd			1	
	1367796	Griddle Assembly 36" Gth L/H			1	
	1363791	Griddle Assembly L/H 48" Sd				1
68	1363795	Griddle Assembly R/H 48" Sd				1
	1281999	Griddle Front Splash Assembly 12"	1			
	1281998	Griddle Front Splash Assembly 24"		1		
	1281997	Griddle Front Splash Assembly 36"			1	
	1281996	Griddle Front Splash Assembly 48"				1
69	1014901	Griddle H Burner	1	2	3	4
70	1028002	Air Shutter	1	2	3	4
71	G02725-35	Dial Insert	1	2	3	4
	G02725-33	Dial Insert (OFF/MAX/MIN)	1	2	3	4
72	G02716-4	Dial	1	2	3	4
	G02716-2	Dial (Universal) Medium Shaft	1	2	3	4
73	2200199	FF Valve Master/ Sentry	1	2	3	4
	2043500	Flame Failure Valve Natural	1	2	3	4
	2043501	Flame Failure Valve Propane	1	2	3	4
74	2175800	Burner Box Front	1	2	3	4
75	2200600	18" Thermocouple	1	2	3	4
	2155200	16" Thermocouple	1	2	3	4
76*	2155208	NOT FOUND	2	4	6	8
77	2188700	Orifice Support	1	2	3	4
	2175900	Orifice Mount Bracket	1	2	3	4
78	076050-8	Comp. Comm. 1/4T:1/8F	1	2	3	4
79	1309201	Piezo Igniter #1244-41	1	2	3	4
80	2270700	1/4 Tube Valve to Orifice	1	2	3	4
	2270800	3/16 Tube Valve to Pilot	1	2	3	4
	G01494-4	1/4 Aluminum Tubing x 6.125"	1	2	3	4
81	G02486XX	Orifice Fitting	1	2	3	4
82	2269601	Flue Seal 12G	1		1	
	2269600	Flue Seal 24G		1		2
	2176100	Griddle Front Seal	1	2	3	4
83	2144100	Spark Electrode	1	2	3	4
84	2205399	Burner Box 12" S280	1		1	
	2203899	Burner Box 24" S280		1	1	2
	2175699	Burner Box Assembly 12"	1	2	3	4
85	078235-1	Joystick Guard	1	2	3	4
86*	076026-165	Elbow 1/8 x 90 Degree Street	1	2	3	4
87*	2198102	Valve Connector Fitting 10 mm	1	2	3	4
88*	G01917-1	Elbow 1/8" NPT STR. Brass 115-A	1	2	3	4
89*	22009002	Spark Module Mounting Bracket	1	2	3	4

* NOT ILLUSTRATED

RECOMMENDED STOCK PARTS

GARLAND PARTS IDENTIFICATION

Restaurant Range Surface Plate Sections Flame Failure Series

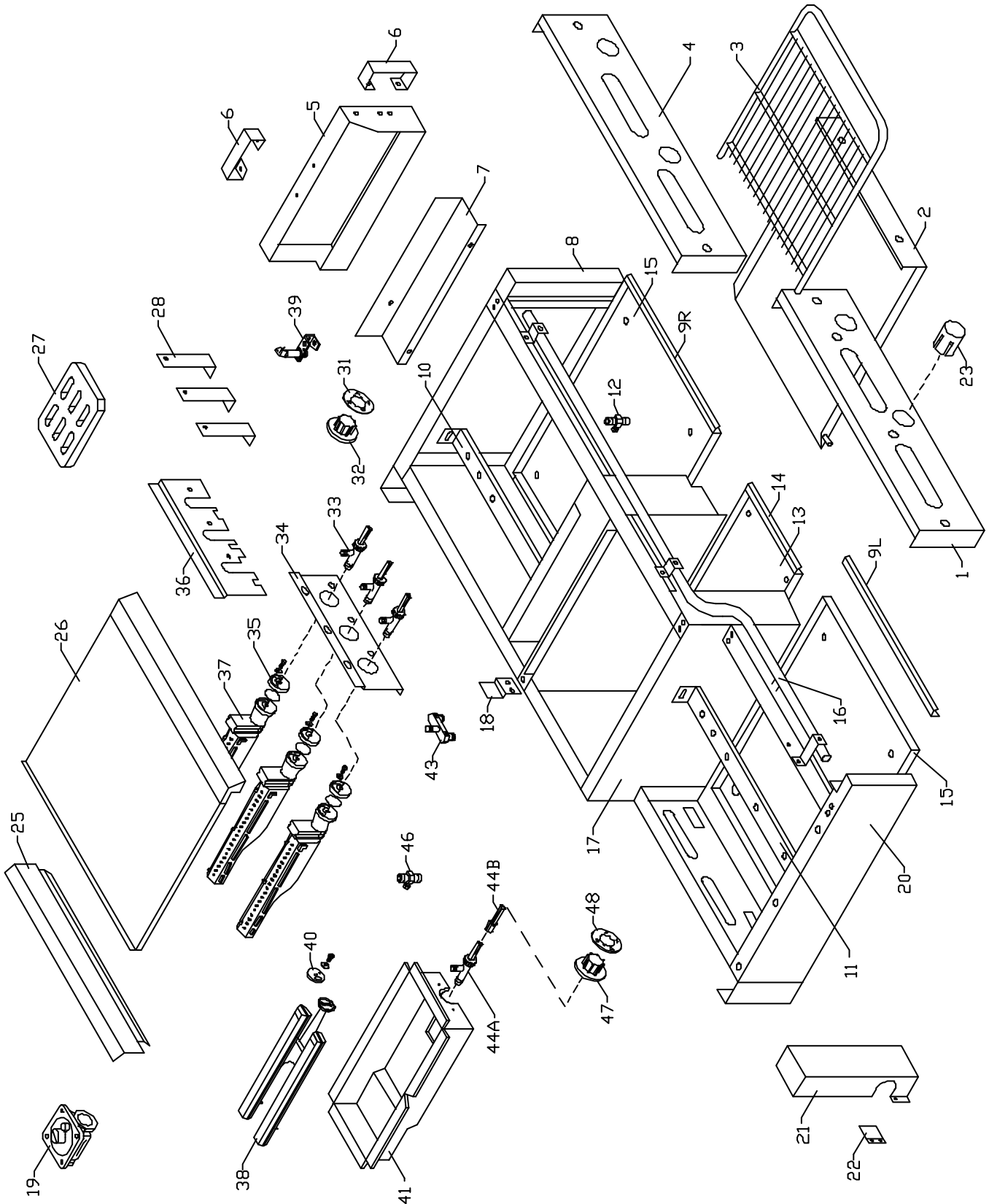
Models: G28FF, G284FF, G286FF, G287FF, G288FF, and G289FF

ITEM	PART #	DESCRIPTION	GRIDDLE SECTIONS			
			12"	24"	36"	48"
90*	2200700	Pilot Right Hand	1	2	3	4
	2200702	Pilot Orifice # 32 (Natural)	1	2	3	4
	2200703	Pilot Orifice # 23 (Propane)	1	2	3	4
	2200704	3/16" Compression Nut	1	2	3	4
	2200705	Olive 3/16" Ball Sleeve	1	2	3	4
	2200706	Nut Thermo Retaining	1	2	3	4
	2200707	Nut Electrode	1	2	3	4
	2200708	Electrode	1	2	3	4
91*	1086597	3/16 Pilot Adjusting Valve				
	G03674-2	Valve-Pilot 3/16" Angle 90 Deg				
92*	2200202	24" H T Wire Lead	1	2	3	4

* NOT ILLUSTRATED

RECOMMENDED STOCK PARTS

NOTES



Restaurant Range Raised 07.dwg

GARLAND PARTS IDENTIFICATION
Restaurant Range Raises Griddle/Broiler Section
Models: G281, G282, G283, and G285

ITEM	PART #	DESCRIPTION	MODEL			
			QUANTITY			
			G281	G282	G283	G285
1	1296904	Valve Panel	1			1
	1374900	Valve Panel		1	1	
2	1090797	Broil Rack Drip Shield	1	1	1	1
3	1090600	Broil Rack Chrome	1	1	1	1
4	1296909	Valve Panel	1			1
	1374904	Valve Panel Raised Grid		1	1	
5	1391902	Grease Bucket R/H S/S	1	1	1	1
6	1391701	Grease Bucket Handle S/S	2	2	2	2
7	1391801	Grease Bucket Support S/S	1	1	1	1
8	1084705	S/S Broiler Box Side S Drain	1	1	1	1
9R	1365701	Drip Tray Handle R/H	1	1	1	1
9L	1365702	Drip Tray Handle L/H	1	1	1	1
10	1295900	Burner Rest 24"	1	1	1	1
11	1295901	Burner Rest 36"	1	1	1	1
12	G02251-1	Pressure Test Spigot	1	1	1	1
13	1090103	Drip Tray Small 10 x 25	1	1	1	1
14	1365700	Drip Pan Handle 12"	1	1	1	1
15	1090003	Drip Pan Large 21 x 25	2	2	2	2
16	1087399	Manifold Assembly	1			1
	2202899	Manifold Assembly	1			1
	1087597	Manifold Assembly		1	1	
	2202999	Manifold Assembly		1	1	
17	1084707	Broiler Box Left Side	1	1	1	1
18	1081600	H/S Front Panel Stabilizer	1	1	1	1
19	2127500	Gas Regulator Propane 10"	1	1	1	1
	2127502	Gas Regulator Natural 4.5"	1	1	1	1
20	1397103	Burner Box Side LH S/S	1	1	1	1
21	1392600	Valve Panel Filler Black		1	1	
	1392601	Valve Panel Filler S/S		1	1	
22	1375500	Valve Panel Filler Bracket		1	1	
23	1473304	1" Plug Button	1	1		
24*	1473302	2" Plug Button	1	1		
Raised Griddle Section						
25	1281998	Griddle Front Splash Assembly 24"		1	1	
	1281997	Griddle Front Splash Assembly 36"	1			1
26	1363798	Griddle Assembly R/H 36" Sd	1			1
	1363786	Broil/Griddle Assembly R/H 24"		1	1	
	1363992	Broil Griddle Assembly 24" Bd		1	1	
27	1091000	Ceramic Radiant	8	8	8	8
28	1415100	Broiler Pilot Bracket - H283	3	3	3	3
29*	1473700	Broiler Pilot Natural - H283	3	3	3	3
	1472701	Broiler Pilot Propane - H283	3	3	3	3
30*	1028304	3/16 Aluminum Tubing 4.500"	3	3	3	3
31	G02725-2	Dial Insert (OFF/MAX/MIN)	3	3	3	3
32	G02716-2	Dial - (Universal) Medium Shaft	3	3	3	3
33	1086586	Hi-Low Valve Natural # 51F – H283	3	3	3	3
	1086581	Hi-Low Valve Propane # 56F – H283	3	3	3	3
34	1414901	Broiler Valve Shield	1	1	1	1
35	1028002	Air Shutter	3	3	3	3
36	1093801	Broiler Box Shield	1	1	1	1

* NOT ILLUSTRATED

RECOMMENDED STOCK PARTS

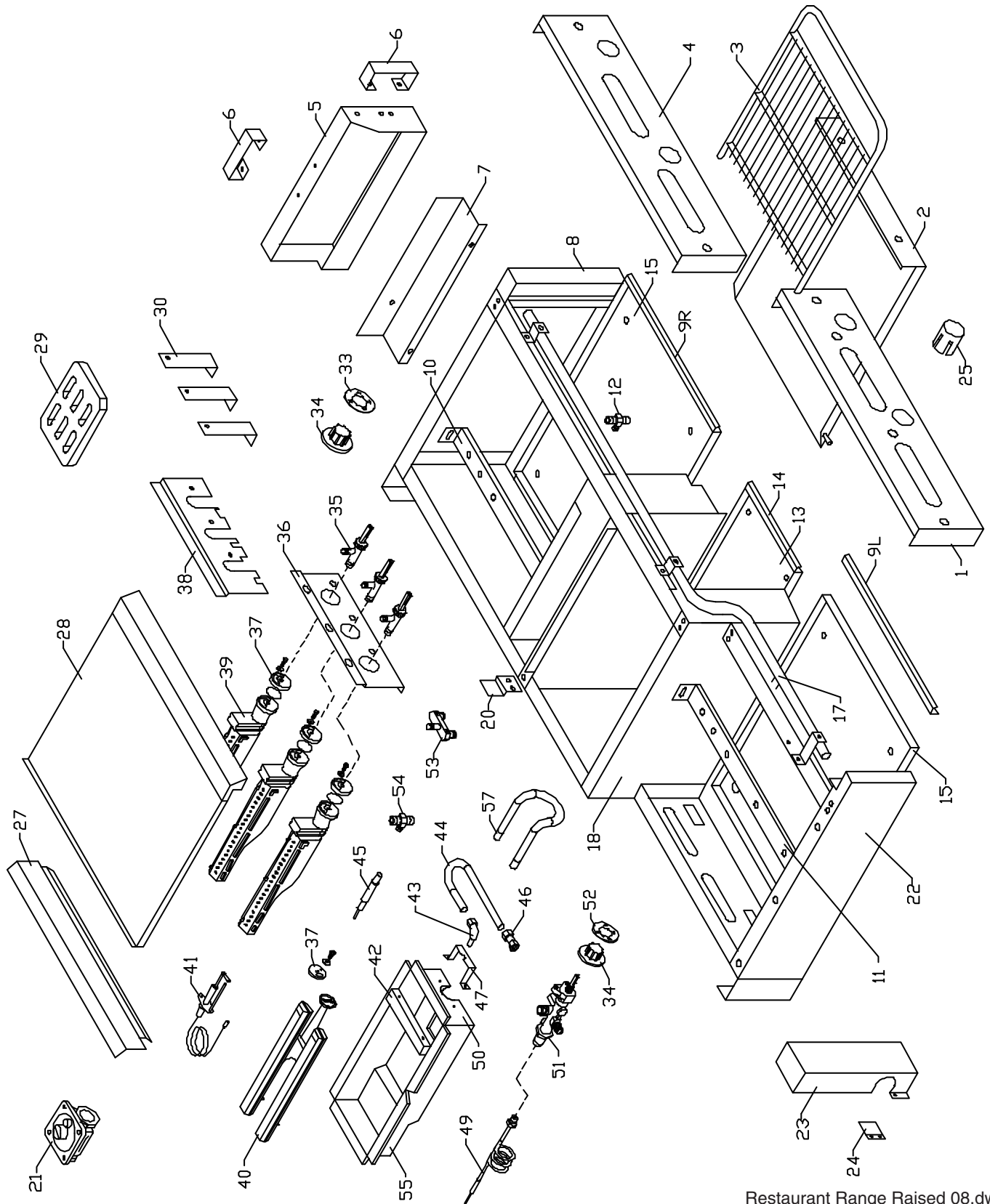
GARLAND PARTS IDENTIFICATION
Restaurant Range Raises Griddle/Broiler Section
Models: G281, G282, G283, and G285

ITEM	PART #	DESCRIPTION	MODEL			
			QUANTITY			
			G281	G282	G283	G285
37	1090500	Griddle Burner	3	3	3	3
38	1014901	Griddle H Burner	1			1
39	1415300	2C-2 Pilot Natural	1			1
	1415301	2C-2 Pilot Propane	1			1
40	1028002	Air Shutter	1			1
41	1092098	Insert Burner Box Assembly	1			1
42*	1028308	3/16 Aluminum Tubing	1			1
43	1510402	3/16 x 3/16 Y Pilot Adjust Valve	Specify Model			
44A	1086583	Hi-Low Valve Natural	1			1
	1086588	Hi-Low Valve Propane	1			1
44B	2430400	Valve Extension	1			1
45*	2203400	Counter Sunk Hex Pipe Plug 1/8" NPT	Specify Model			
46	1086597	3/16 Pilot Adjusting Valve				
47	G02716-2	Dial - (Universal) Medium shaft	1			1
48	G02725-2	Dial Insert (OFF/MAX/MIN)	1			1

* NOT ILLUSTRATED

RECOMMENDED STOCK PARTS

NOTES



Restaurant Range Raised 08.dwg

GARLAND PARTS IDENTIFICATION

Restaurant Range Raises Griddle/Broiler Section Flame Failure

Models: G281FF, G282FF, G283FF, and G285FF

ITEM	PART #	DESCRIPTION	MODEL			
			QUANTITY			
			G281FF	G282FF	G283FF	G285FF
1	1296905	Valve Panel	1			1
	1374900	Valve Panel		1	1	
2	1090797	Broil Rack Drip Shield	1	1	1	1
3	1090600	Broil Rack Chrome	1	1	1	1
4	1296904	Valve Panel	1			1
	1374904	Valve Panel Rased Grid		1	1	
5	1391902	Grease Bucket R/H S/S	1	1	1	1
6	1391701	Grease Bucket Handle S/S	2	2	2	2
7	1391801	Grease Bucket Support S/S	1	1	1	1
8	1084705	S/S Broiler Box Side S Drain	1	1	1	1
9R	1365701	Drip Tray Handle R/H	1	1	1	1
9L	1365701	Drip Tray Handle L/H	1	1	1	1
10	1295900	Burner Rest 24"	1	1	1	1
11	1295901	Burner Rest 36"	1	1	1	1
12	G02252-1	Pressure Test Spigot	1	1	1	1
13	1090103	Drip Tray Small 10 x 25	1	1	1	1
14	1365700	Drip Pan Handle 12"	1	1	1	1
15	1090003	Drip Pan Large 21 x 25	2	2	2	2
16*	2203400	Counter Sunk Hex Pipe Plug 1/8" NPT				
17	2202899	Manifold Assembly	1			1
	2202999	Manifold Assembly		1	1	
	2203299	Manifold Assembly		1	1	
18	1084704	Broiler Box Left Side	1	1	1	1
19*	G03601-1	Valve Shut Off 1/4 Turn				
20	1081600	H/S Front Panel Stabilizer	1	1	1	1
21	2127500	Gas Regulator Propane 10"	1	1	1	1
	2127502	Gas Regulator Natural 4.5"	1	1	1	1
22	1397103	Burner Box Side LH S/S	1	1	1	1
23	1392601	Valve Panel Filler		1	1	
24	1375500	Valve Panel Filler Bracket		1	1	
25	1473304	1" Plug Button	1	1		
26*	1473302	2" Plug Button	1	1		
Raised Griddle Section						
27	1281998	Griddle Splash Assembly 24"		1	1	
	1281997	Griddle Splash Assembly 36"	1			1
28	1363798	Griddle Assembly R/H 36" Sd	1			1
	1363786	Broil/Griddle Assembly R/H 24"		1	1	
	1363992	Broil/Griddle Assembly 24" Bd		1	1	
29	109100	Ceramic Radiant	8	8	8	8
30	1415100	Broiler Pilot Bracket - H283	3	3	3	3
31	1473700	Broiler Pilot Natural - H283	3	3	3	3
	1473701	Broiler Pilot Propane H283	3	3	3	3
32*	1028304	3/16 Aluminum Tubing 4.500"	3	3	3	3
33	G02725-2	Dial Insert (OFF/MAX/MIN)	3	3	3	3
34	G02716-2	Dial - (Universal) Medium Shaft	3	3	3	3
	G02716-4	Dial	1			
	G02716-2	Dial - (Universal) Medium Shaft	1			
Raised Griddle Section						
35	1086581	Hi-Low Valve Propane # 56F - H283	3	3	3	3
	1086586	Hi-Low Valve Natural # 51 - H283	3	3	3	3

* NOT ILLUSTRATED

RECOMMENDED STOCK PARTS

GARLAND PARTS IDENTIFICATION
Restaurant Range Raises Griddle/Broiler Section Flame Failure
Models: G281FF, G282FF, G283FF, and G285FF

ITEM	PART #	DESCRIPTION	MODEL			
			QUANTITY			
			G281FF	G282FF	G283FF	G285FF
36	1414901	Broiler Valve Shield	1	1	1	1
37	1028002	Air Shutter		3	3	
38	1093801	Broiler Box Shield	1	1	1	1
39	1090500	Griddle Burner	3	3	3	3
40	1014901	Griddle H Burner	1			1
41	2144100	Spark Electrode	1			1
42	2269601	Flue Seal 12 G	1			1
	2176100	Griddle Front Seal	1			1
43	G02486A	Orifice Fitting	1			1
44	2270700	1/4 Tube Valve To Orifice	1			1
	2270800	3/16 Tube Valve To Pilot	1			1
	G01494-4	1/4 Aluminum Tubing x 6.125"	1			1
45	1309201	Piezo Igniter # 1244-41	1			1
46	076050-8	Comp. Conn. 1/4T:1/8F	1			1
47	2188700	Orifice Support	1			1
	2175900	Orifice Mount Bracket	1			1
48*	2155202	M8 x 1 Brass Nut	2			2
49	2200600	18" Thermocouple	1			1
	2155200	16" Thermocouple	1			1
Raised Griddle Section						
50	2175800	Burner Box Front	1			1
51	2200199	FF Valve Master/Sentry	1			1
	2043500	Flame Failure Valve Natural	1			1
	2043501	Flame Failure Valve Propane	1			1
52	G02725-35	Dial Insert	1			1
	G02725-33	Dial Insert (OFF/MAX/MIN)	1			1
53	1510402	3/16 x 3/16 Y Pilot Adjust Valve	Specify Model			
54	1086597	3/16 Pilot Adjusting Valve				
55	2205399	Burner Box 12" S280	1			1
	2175699	Burner Box Assembly 12"	1			1
56*	076029-165	Elbow 1/8 x 90 Degree Street	1			1
57	078235-1	Joystick Guard	1			1
58*	2198102	Valve Connector Fitting 10mm	1			1
59*	G01917-1	Elbow 1/8" NPT STR. Brass 115-A	1			1
60*	2200900	Spark Module Mounting Bracket	1			1
61*	2200700	Pilot Right Hand	1			1
	2200702	Pilot Orifice # 32 (Natural)	1			1
	2200703	Pilot Orifice # 23 (Propane)	1			1
	2200704	3/16" Compression Nut	1			1
	2200705	Olive 3/16" Ball Sleeve	1			1
	2200706	Nut Thermo Retaining	1			1
	2200707	Nut Electrode	1			1
	2200708	Electrode	1			1
Raised Griddle Section						
62*	1086597	3/16 Pilot Adjusting Valve				
	G03674-2	Valve - Pilot 3/16" Angle 90 Deg				
63*	2200202	24" HT Wire Lead	1			1

* NOT ILLUSTRATED

RECOMMENDED STOCK PARTS

GARLAND PARTS IDENTIFICATION

Revision History

REV. #	PAGE #	ITEM #	NOTE	DATE
3			Book Reformatted	Aug 23/05
	6	34B	Part # 1415000 Deleted, Replaced by 4518817 – Totally Interchangeable	
	10			
	13	16		
17				

 **GARLAND**[®]