



***GFE Series Restaurant Ranges
All Models
CE & Non-CE Versions***

PARTS LIST

Toll Free Phone, (US & Canada): (800) 427-6668

Toll Free Fax, (US & Canada): (800) 361-7745

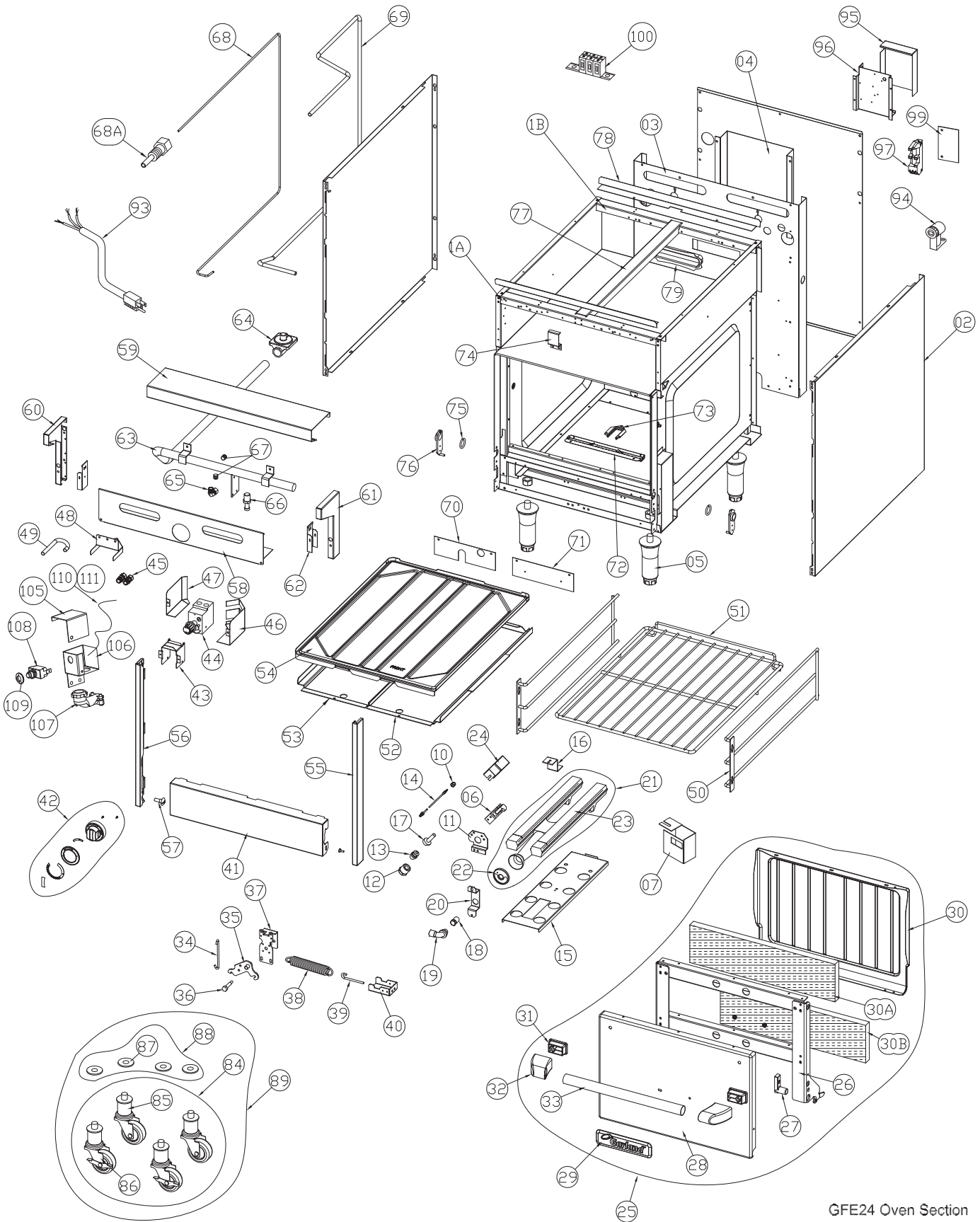
<http://www.garland-group.com>



GFE Series Restaurant Ranges All Models CE & Non-CE Versions

Contents:

Garland 24" GFE Series Restaurant Range Space Saver Standard Oven View Section.....	Page 4
Garland 48" GFE Series Restaurant Range 2 Space Saver Standard Oven View Section.....	Page 8
Garland 36" GFE Series Restaurant Range Standard Oven View Section.....	Page 12
Garland 60" GFE Series Restaurant Range Standard Oven View Section.....	Page 16
Garland 36" GFE Series Restaurant Range Convection Oven (RC) View Section.....	Page 20
Garland 60" GFE Series Restaurant Range Convection Oven (RC) View Section.....	Page 24
Open Top View Section.....	Page 28
Garland GFE Series Restaurant Range - Hi / Low Griddle Top View Section.....	Page 30
Garland 60" Restaurant Range - Raised Griddle Broiler View Section.....	Page 34
Garland Thermostat Griddle Top View Section.....	Page 38
Garland Hot Top Section View.....	Page 42
36" High Shelf Section View.....	Page 44
60" High Shelf Section View.....	Page 46
Wiring Diagrams, Manuals & Gas Conversion Kits.....	Page 48
Garland Restaurant Range - Overlay View Details.....	Page 49
Revision History.....	Page 50



GFE24 Oven Section

GARLAND PARTS IDENTIFICATION
GARLAND 24" GFE SERIES RESTAURANT RANGE SPACE SAVER STANDARD OVEN VIEW SECTION

ITEM	PART #	DESCRIPTION	QTY	From	Up To	Critical
1A	4523184	24" Main Channel Front	1			
1B	4525529	24" Main Channel Rear	1			
2	4522764	Body Side Lt/Rt	2			
3	4523041	Main Back 24" Oven	1			
4	4522762	Flue Riser Std Oven	1			
5	4525074	6" Adjustable Leg S/S	4			
6	2200700	Pilot R/H #0.145.010 (Mounted on L/H Side of Burner) More Details on Page 33	1			C
7	4525285	G/U Oven Pilot Shield L/H (Used for 2200700 Pilot R/H - item 6)	1			
10	2200706	Thermocouple Retaining Nut	1			C
11	4524677	Pilot Bracket - Garland/USR	1			
12	2200704	3/16" Compression Nut - Oven Pilot	1			C
13	2200705	3/16" Ferrule - Oven Pilot	1			C
14	4523506	Thermocouple Oven 60"	1			C
15	4522763	Oven Burner Rest	1			
16	2512200	Burner Hold Down Bracket	1			
17	2200702	Pilot Orifice #32 Natural Gas	1			C
	2200703	Pilot Orifice #23 Propane	1			C
Non CE and CE Export						
18	M9-33	Large Orifice # 33 Natural Gas (G20)	1			C
	M9-51	Large Orifice # 51 Propane (G31)	1			C
	M9-33	Large Orifice # 33 Natural Gas (G20) - Australia	1			C
	M9-52	Large Orifice # 52 Propane (G31) - Australia	1			C
19	14155XX	Oven Orifice Fitting (without orifice)	1			C
20	4522781	Orifice Bracket Oven	1			
21	4525464	H - Burner With Air Shutter Assembly	1			
22	2512100	Oven Burner Air Shutter	1			
23	1014901	Cast Iron H-Burner (Partially Ported)	1			
24	4525285	G/U Oven Pilot Shield L/H (Use for 2200700 Pilot R/H)	1			
25	4525154	Garland 20W Oven Door Assembly	1			
26	4523125	Door Frame Assembly 20W	1			
27	1082500	Oven Door Trunion	2			
28	4522738	Oven Door Panel 20W (with holes)	1			
29	4522397	Garland Logo	1			
30	4522378	Oven Door Liner 20W	1			
30A	4522791	Insulation Door Filler 20W	2			
30B	4522790	Insulation Door Brace 20W	2			
31	4522407	Door Handle End Insulator	2			
32	4522404	Door Handle End - Garland	2			
33	4522645	Door Handle Garland 24" 1.250 dia.	1			
34	1082802	Hinge Link Rt	1			C
35	4522772	Bell Crank Assembly	1			
36	F299	Bolt 1/4-20x1/2" Bell Crank	1			
37	4522818	Bell Crank Support Bracket	1			
38	1005800	Oven Door Spring - Garland	1			C
39	9004701	Oven Door Spring Hook	1			C
40	4523654	Spring Support Bracket (20W Door)	1			
41	4523039	Kick Panel 20W	1			
42	4526237	Knob Assembly - Oven Sit Deg F (FF-Series)	1			C
	4526238	Knob Assembly - Oven Sit Deg C (FF-Series)				C
43	4523081	ES Shield Mount	1			
44	4523006	SIT Oven Control	1			C
45	1095499	Straight Connector 7/16	2			
46	4523079	ES Shield Rt	1			
47	4523080	SIT Lt Shield	1			

* NOT ILLUSTRATED

RECOMMENDED STOCK PARTS

GARLAND PARTS IDENTIFICATION
GARLAND 24" GFE SERIES RESTAURANT RANGE SPACE SAVER STANDARD OVEN VIEW SECTION

ITEM	PART #	DESCRIPTION	QTY	From	Up To	Critical
48	4524545	SIT Top Shield (Flame Failure Models)	1			
49	4524549	Tube - Sit To Manifold (Flame Failure Models)	1			
49A	4520720	7/16" Flexible Tubing Sit To Manifold (NOTE: Only Use for Models with 12" Griddles Mounted on the L/H Side of the Range)	1			
50	4522411	Rack Guide 26D	2			
51	4522410	Oven Rack 20W x 26D	1			
52	4525552	Baffle Pan Right Hand 20W	1			
53	4525551	Baffle Pan Left Hand 20W	1			
54	4522384	Oven Hearth 20W x 22D - Enamelled	1			
55	4522991	Corner Column Rt 24"	1			
56	4522990	Corner Column Lt 24"	1			
57	F298	Bolt 10-24 x 3/8 Long Shoulder Truss HD	2			
58	4524740	24" Valve Panel - Standard	1			
	4524738	24" Valve Panel - 12" Standard & Thermostat Griddle R/H Side	1			
	4524739	24" Valve Panel - 12" Standard & Thermostat Griddle L/H Side	1			
	4524741	24" Valve Panel - 24" Standard & Thermostat Griddle	1			
59	4523196	24" Plate Rail	1			
60	4524519	Garland Valve Panel End Cap - Left - FF	1			
61	4524520	Garland Valve Panel End Cap - Right - FF	1			
62	4523299	Burner Box Filler - FF	2			
63	4522561	Manifold Assembly - 24" (without Fitting)	1			
63A	4527202	24" Manifold Assembly (Australia Units Only)	1			
64	3018200	CE Regulator - Natural Gas 4.5" WC (3/4" Regulator)	1			C
	3018201	CE Regulator - Propane Gas 10" WC (3/4" Regulator)	1			C
65	G02352-1	90 Deg Elbow 9/8" Pipe - 7/16" Tube	1			
66	G02251-1	Pressure Test Spigot	1			
67	2203400	1/8" NPT Pipe Plug	2			
68	4523142	.187 Dia Tubing - S.I.T. Valve to Oven Pilot	1			
68A	4527220	SIT Pilot Tube Connection	1			
69	4523243	.437 Dia Tubing - Valve to Oven Orifice Fitting	1			
70	4523043	Air Shield Pilot 20W	1			
71	4523042	Air Shield Solid 20W	1			
72	4523052	Capillary Guard 20W Standard Oven	1			
73	4523030	Bulb Guard Standard Oven	1			
74	4523194	Rail Support Bracket	1			
75	1082700	Harness Ring	2			
76	4522400	Trunion Bracket	2			
77	4523087	Grate Support Rail	1			
78	4523186	24" Drip Angle	2			
79	1005110	Flue Collar - Aluminized	1			
84A	4523536	6" Caster Package (Optional)	1			
84B	4523547	Adjustable Caster Package (Optional)	1			
85	4522417	6" Caster (3/4-10 Mount) W/O Brake	2			
	4525597	6" Adjustable Caster (3/4-10 Mount) W/O Brake	2			
86	4522916	6" Caster (3/4-10 Mount) With Brake	2			
	4525598	6" Adjustable Caster (3/4-10 Mount) With Brake	2			
87	4526157	Caster Washer - one per caster Used from serial #0901100100838	4	20-Jan-09		
88	4526325	Caster Washer Kit (4 washers included)	1			
89A	4526323	Adjustable Caster Package (included item 84B & 88)	1			
89B	4526324	6" Caster package (included item 84A & 88)				
93	4523398	Power Cord 6' 3/14GA 15Amp SJ00W	1			
94	G01497-1	BX Connector Straight 3/8"	1			
95	2573800	Terminal Box Cover	1			
96	2573700	Terminal Box	1			

* NOT ILLUSTRATED

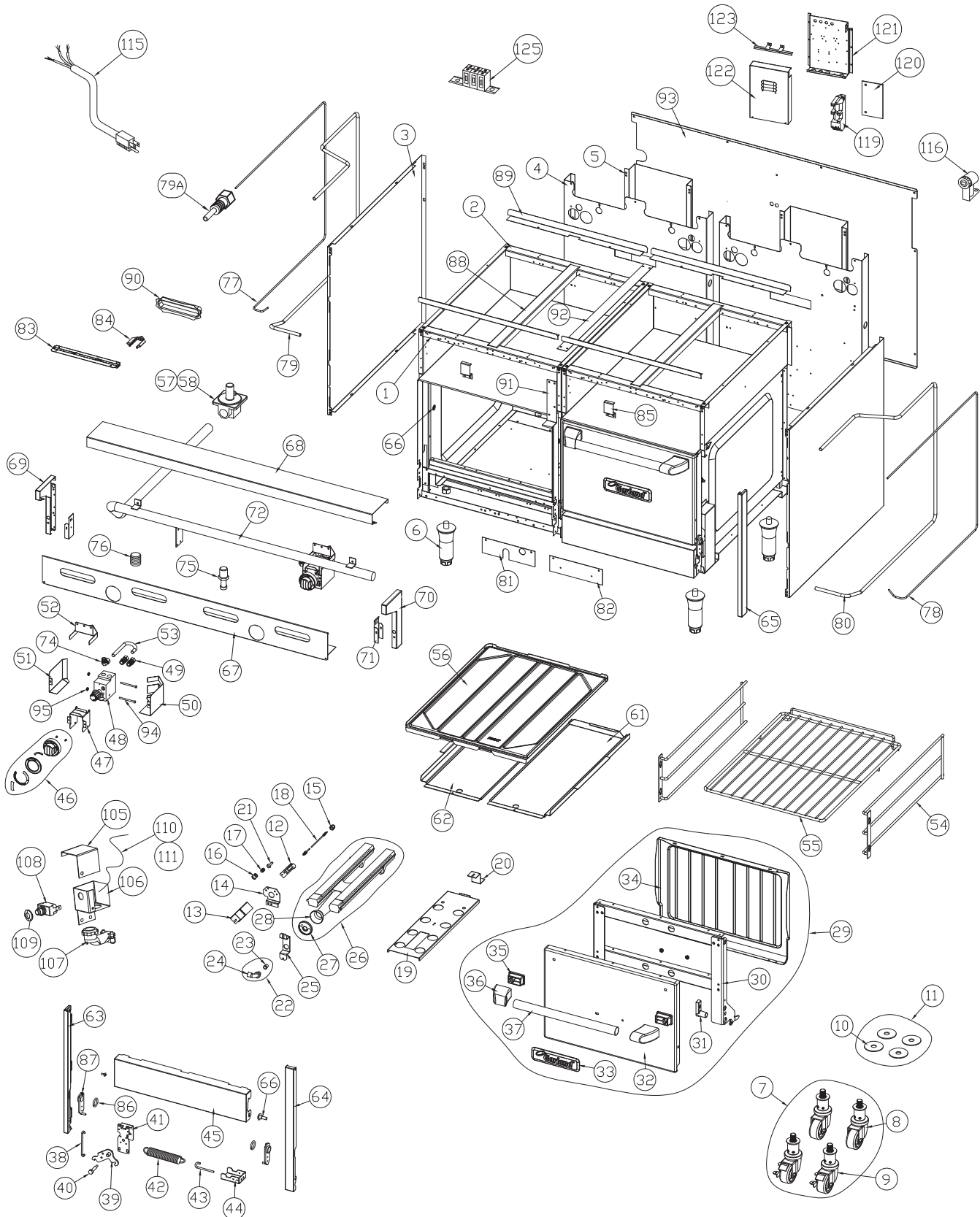
RECOMMENDED STOCK PARTS

GARLAND PARTS IDENTIFICATION
GARLAND 24" GFE SERIES RESTAURANT RANGE SPACE SAVER STANDARD OVEN VIEW SECTION

ITEM	PART #	DESCRIPTION	QTY	From	Up To	Critical
97	4514749	Spark Generator 230V - 4 Outlets Note: 1 outlet required for each pilot	2			C
	4514750	Spark Generator 120V - 4 Outlets Note: 1 outlet required for each pilot	2			C
99	4516898	Insulator Plate (for Spark Generator)	2			
100	3050401	Miniature Terminal Block Assy 3P	1			
105	4524966	Spark Ignition Box Cover	1			
106	4524965	Spark Ignition Box	1			
107	1028500	Connector 3/8" 90Deg.	1			
108	4527834	Momentary Switch Push Button	1			C
109	3064800	Decorative Dress Nut APEM#A540	1			
110	2200213	90" High Tension Wire Leads	1			C
111	G03883R	Thermoflex Insulating Sleeve (sold by the Ft.) 81" required	1			C

* NOT ILLUSTRATED

RECOMMENDED STOCK PARTS



GFE48 Two Space Saver Oven

GARLAND PARTS IDENTIFICATION
GARLAND 48" GFE SERIES RESTAURANT RANGE 2 SPACE SAVER STANDARD OVEN VIEW SECTION

ITEM	PART #	DESCRIPTION	Oven Left	Oven Right	Double Oven	From	Up To	Critical
1	4523184	24" Main Channel - Front	2	2	2			
2	4525529	24" Main Channel - Rear	2	2	2			
3	4522764	Body Side Lt/Rt	2	2	2			
4	4523041	Main Back - 24"	2	2	2			
5	4522762	Flue Riser Standard Oven	2	2	2			
6	4525074	6" Adjustable Leg S/S	4	4	4			
	4524104	6" Adjustable Flanged Leg S/S - Optional	4	4	4			
7	4523536	6" Caster Package 3/4-10 Mount (Optional)	1	1	1			
	4523547	Adjustable Caster Package 3/4-10 Mount (Optional)						
8	4522417	6" Caster (3/4-10 Mount) W/O Brake	2	2	2			
	4525597	Adjustable Caster (3/4-10 Mount) W/O Brake						
9	4522916	6" Caster (3/4-10 Mount) With Brake	2	2	2			
	4525598	Adjustable Caster (3/4-10 Mount) With Brake						
NOTE: When replacing a Caster, washer (4526157) will be required for ranges manufactured before Jan 20/2009								
10	4526157	Caster Washer (1 required per caster) - Used from Jan 20/2009 (Serial #0901100100838)	4	4	4	20-Jan-09		
11	4526325	Caster Washer Kit (4 washers included)	1	1	1			
12	2200700	Pilot R/H #0.145.010 - Oven on the Left (Mounted on L/H Side of Burner) More details on Page 33	1		1			C
	2200701	Pilot L/H #0.145.007 - Oven on the Right (Mounted on R/H Side of Burner) More details on Page 37		1	1			C
13	4525285	G/U Oven Pilot Shield L/H (Used for 2200700 Pilot R/H) Used from Serial #0806100100492/Model: G36-6R-0022	1		1			
	4525300	G/U Oven Pilot Shield R/H (Used for 2200701 Pilot L/H) Used from Serial #0806100100492/Model: G36-6R-0022		1	1			
14	4524677	Pilot Bracket - Garland/US Range	1	1	2			C
15	2200706	Thermocouple Retaining Nut	1	1	2			C
16	2200704	3/16" Compression Nut - Oven Pilot	1	1	2			C
17	2200705	3/16" Ferrule - Oven Pilot	1	1	2			C
18	4523506	Thermocouple Oven 60"	1	1	2			C
19	4522763	Oven Burner Rest	1	1	2			
20	2512200	Burner Hold Down Bracket	1	1	2			
21	2200702	Pilot Orifice #32 Natural Gas	1	1	2			C
	2200703	Pilot Orifice #23 Propane						
Non CE and CE Export								
22	1415533F	Oven Orifice Fitting w/#33 Hood (Natural)	1	1	2			C
	1415551F	Oven Orifice Fitting w/#51 Hood (Propane)	1	1	2			C
	1515552F	Oven Orifice Fitting w/#52 Hood (Propane)	1	1	2			C
23	M9-33	Large Orifice # 33 Natural Gas (G20)	1	1	2			C
	M9-51	Large Orifice # 51 Propane (G31)	1	1	2			C
	M9-33	Large Orifice # 33 Natural Gas (G20) - Australia	1	1	2			C
	M9-52	Large Orifice # 52 Propane (G31) - Australia	1	1	2			C
24	14155XX	Oven Orifice Fitting (without orifice)	1	1	2			C
25	4522781	Orifice Bracket Oven	1	1	2			
26	4525464	Cast Iron H-Burner (Partially Ported) with Large Air Shutter	1	1	2			
27	2512100	Large Air Shutter	1	1	2			
28	1014901	Cast Iron H-Burner (Partially Ported)	1	1	2			
29	4523566	Garland 20W Oven Door Assembly	1	1	2			
30	4523125	Door Frame Assembly 20W	1	1	2			
31	1082500	Oven Door Trunion	2	2	4			
32	4522738	Oven Door Panel 20W (with holes)	1	1	2			
33	4522397	Garland Logo - Large	1	1	2			
34	4522378	Oven Door Liner 20W	1	1	2			
35	4522407	Door Handle End Insulator	2	2	4			
36	4522404	Door Handle End - Garland/USR	2	2	4			
37	4522645	Door Handle Garland/USR 20W	1	1	2			
38	1082802	Hinge Link Rt	1	1	2			C
39	4522772	Bell Crank Assembly	1	1	2			
40	F299	Bolt 1/4-20 x 1/2" Bell Crank	1	1	2			

* NOT ILLUSTRATED
RECOMMENDED STOCK PARTS

GARLAND PARTS IDENTIFICATION
GARLAND 48" GFE SERIES RESTAURANT RANGE 2 SPACE SAVER STANDARD OVEN VIEW SECTION

ITEM	PART #	DESCRIPTION	Oven Left	Oven Right	Double Oven	From	Up To	Critical
41	4522818	Bell Crank Support Bracket	1	1	2			
42	1005800	Oven Door Spring	1	1	2			C
43	9004701	Oven Door Spring Hook	1	1	2			C
44	4523654	Spring Support Bracket (20W Oven)	1	1	2			
45	4523039	Kick Panel 20W	1	1	2			
46	4526237	Knob Assembly - Oven Sit Deg F (FF-Series)	1	1	2			C
	4526238	Knob Assembly - Oven Sit Deg C (FF-Series)						
47	4523081	SIT Shield Mount	1	1	2			
48	4523006	SIT Oven Control	1	1	2			C
49	1095499	Straight Connector 7/16"	2	2	4			
50	4523079	SIT Shield Right	1	1	2			
51	4523080	SIT Shield Left	1	1	2			
52	4523499	SIT Shield Top	1	1	2			
53	4523145	Tube - SIT to Manifold	1	1	2			
	45207020	Flex Tube - SIT to Manifold (NOTE: Use only for models with 12" griddles mounted on the left side of the range)	1					
54	4522411	Rack Guide 26D	2	2	4			
55	4522410	Oven Rack 20W x 26D	1	1	2			
56	4522384	Oven Hearth 20W x 26D (Enamelled)	1	1	2			
57	4525049	CE Regulator - Natural Gas 4.5" WC (1" Regulator)	1	1	1			C
	4525050	CE Regulator - Propane Gas 10" WC (1" Regulator)						C
58	4522421	Non - CE Regulator - Natural Gas 4.5" WC (1" Regulator)	1	1	1			C
	4522422	Non - CE Regulator - Propane Gas 10" WC (1" Regulator)						C
61	4525552	Baffle Pan 20W Right	1	1	2			
62	4525551	Baffle Pan 20W Left	1	1	2			
63	4522990	Corner Column Left	1	1	1			
64	4522993	Center Column	1	1	1			
65	4522991	Corner Column Right	1	1	1			
66	F298	Bolt 10-24 X 3/8" Long Shoulder Truss Head	4	4	8			
67	4524850	48" Valve Panel - Standard (8 Open Top Burners)	1	1	1			
	4524851	48" Valve Panel - 12" Standard Griddle R/H Side	1	1	1			
		48" Valve Panel - 12" Thermostat Griddle R/H Side	1	1	1			
	4524852	48" Valve Panel - 12" Standard Griddle L/H Side	1	1	1			
		48" Valve Panel - 12" Thermostat Griddle L/H Side	1	1	1			
	4524853	48" Valve Panel - 24" Standard Griddle R/H Side	1	1	1			
		48" Valve Panel - 24" Thermostat Griddle R/H Side	1	1	1			
	4524854	48" Valve Panel - 24" Standard Griddle L/H Side	1	1	1			
		48" Valve Panel - 24" Thermostat Griddle L/H Side	1	1	1			
	4524855	48" Valve Panel - 36" Standard Griddle R/H Side	1	1	1			
48" Valve Panel - 36" Thermostat Griddle R/H Side		1	1	1				
4524856	48" Valve Panel - 36" Standard Griddle L/H Side	1	1	1				
	48" Valve Panel - 36" Thermostat Griddle L/H Side	1	1	1				
68	4523197	48" Plate Rail	1	1	1			
69	4523073	Garland/USR Valve Panel End Cap Left	1	1	1			
70	4523074	Garland/USR Valve Panel End Cap Right	1	1	1			
71	4523193	Burner Box Filler	2	2	2			
72	4522563	Manifold Assembly 48" (without Fittings)	1	1	1			
72A	4527204	48" Manifold Assembly (Australia Only)	1	1	1			
74	G02352-1	90 Deg Elbow 3/8" Pipe to 7/16" Tube	1	1	2			
75	G02251-1	Pressure Test Spigot	1	1	1			
76	2203400	1/8" NPT Pipe Plug (Griddle/Hot tops only) - Quantity per Griddle/Hot top section	2					
77	4523142	.187 Dia Tubing SIT Valve to Oven Pilot - Oven on the Left	1		1			
78	4523180	.187 Dia Tubing SIT Valve to Oven Pilot - Oven on the Right		1	1			
79	4523243	.437 Dia Tubing SIT Valve to Oven Orifice Fitting - Oven on the Left	1		1			
79A	4527220	SIT Pilot Tube Connection	1	1	2			
80	4524963	.437 Dia Tubing SIT Valve to Oven Orifice Fitting - Oven on the Right		1	1			
81	4523043	Air Shield Pilot 20W	1	1	2			
82	4523042	Air Shield Solid 20W	1	1	2			
83	4523052	Capillary Guard 20W	1	1	2			
84	4523030	Bulb Guard	1	1	2			
85	4523194	Rail Support Bracket	2	2	2			

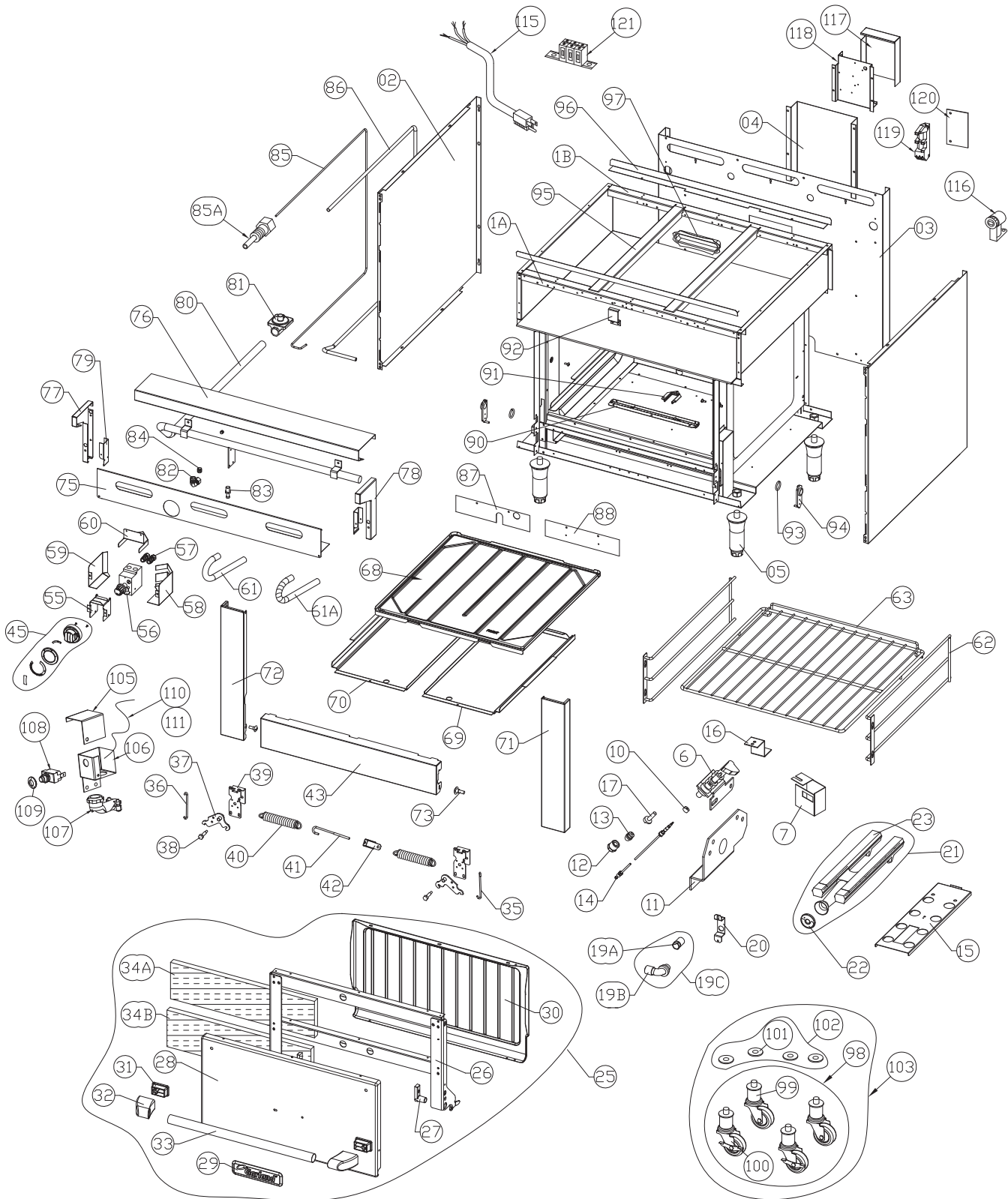
* NOT ILLUSTRATED

RECOMMENDED STOCK PARTS

GARLAND PARTS IDENTIFICATION
GARLAND 48" GFE SERIES RESTAURANT RANGE 2 SPACE SAVER STANDARD OVEN VIEW SECTION

ITEM	PART #	DESCRIPTION	Oven Left	Oven Right	Double Oven	From	Up To	Critical
86	1082700	Harness Ring	2	2	4			
87	4522400	Trunion Bracket	2	2	4			
88	4523087	Grate Support Rail - Depends on top configuration (maximum quantity shown)	2					
89	4523186	24" Drip Angle	4	4	4			
90	1005104	Flue Collar	1	1	2			
91	4522996	Tie Strap Front	1	1	1			
92	4522995	Tie Strap Top	1	1	1			
93	4524634	Veneer Back S/S - 48" Standard Oven (Optional)	1	1	1			
94	F16	SIT to Manifold Mounting Bolts (#10-24 Round Head x 2-1/2" Long)	2	2	4			
95	F312	SIT to Manifold K-Lock Nut (#14-24)	2	2	4			
105	4524966	Spark Ignition Box Cover	1	1	1			
106	4524965	Spark Ignition Box	1	1	1			
107	1028500	Connector 3/8" 90Deg.	1	1	1			
108	4527834	Momentary Switch Push Button	1	1	1			C
109	3064800	Decorative Dress Nut APEM#A540	1	1	1			
110	2200213	90" High Tension Wire Leads	1	1	2			C
111	G03883R	Thermoflex Insulating Sleeve (sold by the Ft.) 81" required per Oven	1	1	2			C
115	4523398	Power Cord 6' 3/14GA 15Amp SJ00W	1	1	1			
116	G01497-1	BX Connector Straight 3/8"	1	1	1			
119	4514749	Spark Generator 230V - 4 Outlets Note: 1 outlet required for each pilot	2	2	2			C
	4514750	Spark Generator 120V - 4 Outlets Note: 1 outlet required for each pilot	2	2	2			C
120	4516898	Insulator Plate (for Spark Generator)	1	1	2			
121	2566500	Spark Generator Housing	1	1	1			
122	2566600	Spark Box Cover	1	1	1			
123	2570400	Divider	1	1	1			
125	3050401	Miniature Terminal Block Assy 3P	1	1	1			

* NOT ILLUSTRATED
RECOMMENDED STOCK PARTS



GFE36 Oven Section

GARLAND PARTS IDENTIFICATION
GARLAND 36" GFE SERIES RESTAURANT RANGE STANDARD OVEN VIEW SECTION

ITEM	PART #	DESCRIPTION	QTY	From	Up To	Critical
1A	4523068	36" Main Channel Front	1			
1B	4525530	36" Main Channel Rear	1			
2	4522764	Body Side Lt/Rt	2			
3	4522761	Main Back 36"	1			
4	4522762	Flue Riser Standard Oven	1			
5	4525074	6" Adjustable Leg S/S	4			
6	2200700	Pilot R/H #0.145.010 (Mounted on L/H Side of Burner) More Details on Page 33	1			C
7	4525285	G/U Oven Pilot Shield L/H (Used for 2200700 Pilot R/H - item 6)	1			
10	2200706	Thermocouple Retaining Nut	1			C
11	4524677	Pilot Bracket - Garland/USR	1			
12	2200704	3/16" Compression Nut - Oven Pilot	1			C
13	2200705	3/16" Ferrule - Oven Pilot	1			C
14	4523506	Thermocouple Oven 60"	1			C
15	4522763	Oven Burner Rest	1			
16	2512200	Burner Hold Down Bracket	1			
17	2200702	Pilot Orifice #32 Natural Gas	1			C
	2200703	Pilot Orifice #23 Propane	1			C
Non CE and CE Export						
19A	M9-30	Large Orifice # 30 Natural Gas (G20)	1			C
	M9-50	Large Orifice # 50 Propane (G31)	1			C
	M9-30	Large Orifice # 30 Natural Gas (G20) - Australia	1			C
	M9-50	Large Orifice # 50 Propane (G31) - Australia	1			C
19B	14155XX	Oven Orifice Fitting (without orifice)	1			C
19C	1415530F	Oven Orifice Fitting w/#30 Hood - Nat	1			C
	1415550F	Oven Orifice Fitting w/#50 Hood - Propane Gas	1			C
20	4522781	Orifice Bracket Oven	1			
21	4525464	H - Burner With Air Shutter Assembly (Partially Ported)	1			
22	2512100	Oven Burner Air Shutter	1			
23	1014901	Cast Iron H-Burner (Partially Ported)	1			
25	4525151	Garland 26W Oven Door Assembly	1			
26	4522769	Door Frame Assembly 26W	1			
27	1082500	Oven Door Trunion	2			
28	4522737	Oven Door Panel 26W (with holes)	1			
29	4522397	Garland Logo	1			
30	4522377	Oven Door Liner 26W	1			
31	4522407	Door Handle End Insulator	2			
32	4522404	Door Handle End - Garland	2			
33	4522644	Door Handle Garland 36" 1.250 dia.	1			
34A	4522789	Insulation Door Filler 26W	2			
34B	4522788	Insulation Door Brake 26W	2			
35	1082802	Hinge Link Rt	1			C
36	1082803	Hinge Link Lt	1			C
37	4522772	Bell Crank Assembly	2			
38	F299	Bolt 1/4-20x1/2" Bell Crank	2			
39	4522818	Bell Crank Support Bracket	2			
40	1005800	Oven Door Spring - Garland	2			C
41	4523497	6" Long J-Bolt (F598)	1			C
42	4526109	Door Spring ADJ Bracket	1			
43	4522770	Kick Panel 26W	1			
45	4526237	Knob Assembly - Oven Sit Deg F (Flame Failure Models)	1			C
	4526238	Knob Assembly - Oven Sit Deg C (Flame Failure Models)				C
55	4523081	ES Shield Mount	1			
56	4523006	SIT Oven Control	1			C

* NOT ILLUSTRATED

RECOMMENDED STOCK PARTS

GARLAND PARTS IDENTIFICATION
GARLAND 36" GFE SERIES RESTAURANT RANGE STANDARD OVEN VIEW SECTION

ITEM	PART #	DESCRIPTION	QTY	From	Up To	Critical
57	1095499	Straight Connector 7/16	2			
58	4523079	ES Shield Rt	1			
59	4523080	SIT Lt Shield	1			
60	4524545	SIT Top Shield (Flame Failure Models)	1			
61	4524549	Tube - Sit To Manifold (Flame Failure Models)	1			
61A	4520720	7/16" Flexible Tubing Sit To Manifold NOTE: This Flexible Tubing is Only Used For Models with 12" Griddles Mounted on the L/H Side of the Range.	1			
62	4522411	Rack Guide 26D	2			
63	4522408	Oven Rack 26W x 26D	1			
68	4524992	Oven Hearth 26W x 26D - Enamelled	1			
69	4525550	Baffle Pan Right Hand 26"W	1			
70	4525549	Baffle Pan Left Hand 26"W	1			
71	4522766	Corner Column Rt 36"	1			
72	4522765	Corner Column Lt 36"	1			
73	F298	Bolt 10-24 x 3/8 Long Shoulder Truss HD	2			
75	4524419	36" Valve Panel - Standard - FF	1			
	4524422	36" Valve Panel - 12" Standard & Thermostat Griddle R/H Side - FF	1			
	4524421	36" Valve Panel - 12" Standard & Thermostat Griddle L/H Side - FF	1			
	4525249	36" Valve Panel - 24" Thermostat Griddle R/H Side - FF	1			
	4525251	36" Valve Panel - 24" Standard & Thermostat Griddle L/H Side - FF	1			
	4525253	36" Valve Panel - 36" Standard & Thermostat Griddle - FF	1			
76	4523072	36" Plate Rail	1			
77	4524519	Garland Valve Panel End Cap - Left - FF	1			
78	4524520	Garland Valve Panel End Cap - Right - FF	1			
79	4523299	Burner Box Filler - FF	2			
80	4522562	Manifold Assembly - 36" (without Fitting)	1			
80A	4527203	36" Manifold Assembly (Australia Units Only)	1			
81	3018200	CE Regulator - Natural Gas 4.5" WC (3/4" Regulator)	1			C
	3018201	CE Regulator - Propane Gas 10" WC (3/4" Regulator)	1			C
82	G02352-1	90 Deg Elbow 9/8" Pipe - 7/16" Tube	1			
83	G02251-1	Pressure Test Spigot	1			
84	2203400	1/8" NPT Pipe Plug	2			
85	4523142	.187 Dia Tubing - Sit Valve to Oven Pilot	1			
85A	4527220	SIT Pilot Tube Connection	1			
86	4523143	.437 Dia Tubing - Valve to Oven Orifice Fitting	1			
87	4522774	Air Shield Pilot 26W	1			
88	4522773	Air Shield Solid 26W	1			
90	4523031	Capillary Guard 26W Standard Oven	1			
91	4523030	Bulb Guard Standard Oven	1			
92	4523194	Rail Support Bracket	1			
93	1082700	Harness Ring	2			
94	4522400	Trunion Bracket	2			
95	4523087	Grate Support Rail	2			
96	4523069	36" Drip Angle	2			
97	1005110	Flue Collar - Aluminized	1			
98A	4523536	6" Caster Package (Optional)	1			
98B	4523547	Adjustable Caster Package (Optional)	1			
99	4522417	6" Caster (3/4-10 Mount) W/O Brake	2			
	4525597	6" Adjustable Caster (3/4-10 Mount) W/O Brake	2			
100	4522916	6" Caster (3/4-10 Mount) With Brake	2			
	4525598	6" Adjustable Caster (3/4-10 Mount) With Brake	2			
101	4526157	Caster Washer - one per caster Used from serial #0901100100838	4	20-Jan-09		
102	4526325	Caster Washer Kit (4 washers included)	1			

* NOT ILLUSTRATED

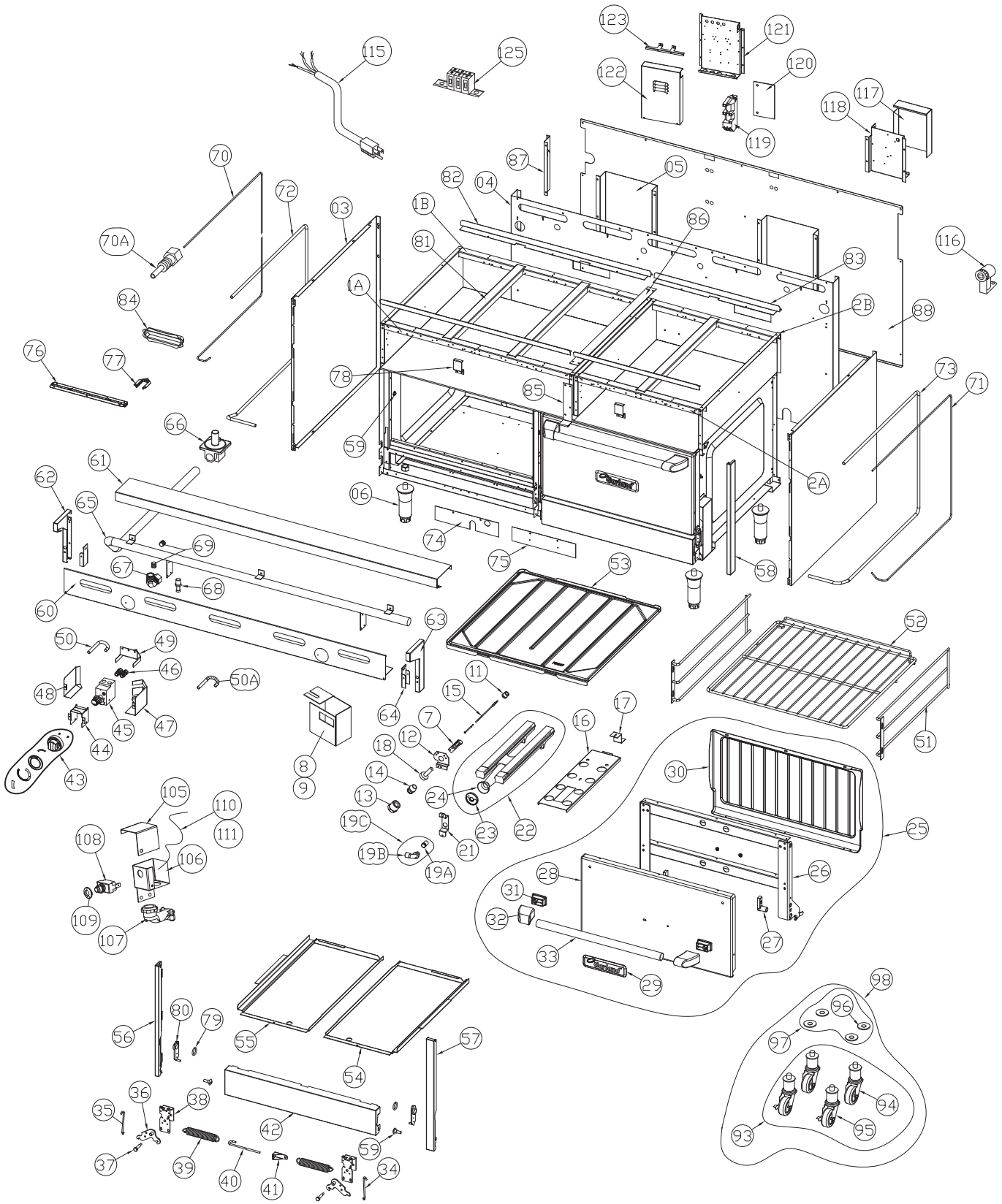
RECOMMENDED STOCK PARTS

GARLAND PARTS IDENTIFICATION
GARLAND 36" GFE SERIES RESTAURANT RANGE STANDARD OVEN VIEW SECTION

ITEM	PART #	DESCRIPTION	QTY	From	Up To	Critical
103A	4526323	Adjustable Caster Package (included item 98B & 102)	1			
103B	4526324	6" Caster package (included item 98A & 102)				
105	4524966	Spark Ignition Box Cover	1			
106	4524965	Spark Ignition Box	1			
107	1028500	Connector 3/8" 90Deg.	1			
108	4527834	Momentary Switch Push Button	1			C
109	3064800	Decorative Dress Nut APEM#A540	1			
110	2200213	90" High Tension Wire Leads	1			C
111	G03883R	Thermoflex Insulating Sleeve (sold by the Ft.) 81" required	1			C
115	4523398	Power Cord 6' 3/14GA 15Amp SJ00W	1			
116	G01497-1	BX Connector Straight 3/8"	1			
117	2573800	Terminal Box Cover	1			
118	2573700	Terminal Box	1			
119	4514749	Spark Generator 230V - 4 Outlets Note: 1 outlet required for each pilot	2			C
	4514750	Spark Generator 120V - 4 Outlets Note: 1 outlet required for each pilot	2			C
120	4516898	Insulator Plate (for Spark Generator)	2			
121	3050401	Miniature Terminal Block Assy 3P	1			

* NOT ILLUSTRATED

RECOMMENDED STOCK PARTS



GFE60 Oven Section

GARLAND PARTS IDENTIFICATION
GARLAND 60" GFE SERIES RESTAURANT RANGE STANDARD OVEN VIEW SECTION

ITEM	PART #	DESCRIPTION	Oven Left	Oven Right	Double Oven	From	Up To	Critical
1A	4523068	36" Main Channel - Front	1	1	1			
1B	4525530	36" Main Channel - Rear	1	1	1			
2A	4523184	24" Main Channel - Front	1	1	1			
2B	4525529	24" Main Channel - Rear	1	1	1			
3	4522764	Body Side Lt/Rt	2	2	2			
4	4522994	Main Back - 2 Std Ovens			1			
	4522994	Main Back - Std Oven Rt, Storage Base Lt		1				
	4523025	Main Back - Std Oven Rt, RC Oven Lt						
	4522994	Main Back - Std Oven Lt, Storage Base Rt	1					
	4523026	Main Back - Std Oven Lt, RC Oven Rt						
5	4522762	Flue Riser Standard Oven	1	1	2			
6	4525074	6" Adjustable Leg S/S	4	4	4			
7	2200700	<i>Pilot R/H #0.145.010 - Oven on the Left (Mounted on L/H Side of Burner)</i>	1		1			C
		<i>More Details on Page 33</i>						
	2200701	<i>Pilot L/H #0.145.007 - Oven on the Right (Mounted on R/H Side of Burner)</i>		1	1			C
		<i>More Details on Page 37</i>						
8	4525285	G/U Oven Pilot Shield L/H (Used for 2200700 Pilot R/H)	1		1			
9	4525300	G/U Oven Pilot Shield R/H (Used for 2200701 Pilot L/H)		1	1			
11	2200706	Thermocouple Retaining Nut	1	1	2			C
12	4524677	Pilot Bracket - Garland/US Range	1	1	2			
13	2200704	3/16" Compression Nut - Oven Pilot	1	1	2			C
14	2200705	3/16" Ferrule - Oven Pilot	1	1	2			C
15	4523506	Thermocouple Oven 60"	1	1	2			C
16	4522763	Oven Burner Rest	1	1	2			
17	2512200	Burner Hold Down Bracket	1	1	2			
18	2200702	Pilot Orifice #32 Natural Gas	1	1	2			C
	2200703	Pilot Orifice #23 Propane						
Non CE and CE Export								
19A	M9-30	Large Orifice # 30 Natural Gas (G20)	1	1	2			C
	M9-50	Large Orifice # 50 Propane (G31)	1	1	2			C
	M9-30	Large Orifice # 30 Natural Gas (G20) - Australia	1	1	2			C
	M9-50	Large Orifice # 50 Propane (G31) - Australia	1	1	2			C
19B	14155XX	Oven Orifice Fitting (without orifice)	1	1	2			C
19C	1415530F	Oven Orifice Fitting w/#30 Hood - Natural	1	1	2			C
	1415550F	Oven Orifice Fitting w/#50 Hood - Propane Gas	1	1	2			C
21	4522781	Orifice Bracket Oven	1	1	2			
22	4525464	H-Burner (Partially Ported) with Air Shutter Assembly	1	1	2			
23	2512100	Oven Burner Air Shutter	1	1	2			
24	1014901	Cast Iron H-Burner (Partially Ported)	1	1	2			
25	4525151	Garland 26W Oven Door Assembly	1	1	2			
26	4522769	Door Frame Assembly 26W	1	1	2			
27	1082500	Oven Door Trunion	2	2	4			
28	4522737	Oven Door Panel 26W (with holes)	1	1	2			
29	4522397	Garland Logo - Large	1	1	2			
30	4522377	Oven Door Liner 26W	1	1	2			
31	4522407	Door Handle End Insulator	2	2	4			
32	4522404	Door Handle End - Garland/USR	2	2	4			
33	4522644	Door Handle Garland/USR 26W	1	1	2			
34	1082802	Hinge Link Rt	1	1	2			C
35	1082803	Hinge Link Lt	1	1	2			C
36	4522772	Bell Crank Assembly	2	2	4			
37	F299	Bolt 1/4-20 x 1/2" Bell Crank	2	2	4			
38	4522818	Bell Crank Support Bracket	2	2	4			
39	1005800	Oven Door Spring	2	2	4			C
40	4523497	6" Long J-Bolt (F598)	1	1	2			C
41	4526109	Door Spring Adjustment Bracket	1	1	2			
42	4522770	Kick Panel 26W	1	1	2			
43	4526237	Knob Assembly - Oven Sit Deg F (FF-Series)	1	1	2			C
	4526238	Knob Assembly - Oven Sit Deg C (FF-Series)						C
44	4523081	SIT Shield Mount	1	1	2			
45	4523006	SIT Oven Control	1	1	2			C
46	1095499	Straight Connector 7/16"	2	2	4			
47	4523079	SIT Shield Right	1	1	2			

* NOT ILLUSTRATED
RECOMMENDED STOCK PARTS

GARLAND PARTS IDENTIFICATION
GARLAND 60" GFE SERIES RESTAURANT RANGE STANDARD OVEN VIEW SECTION

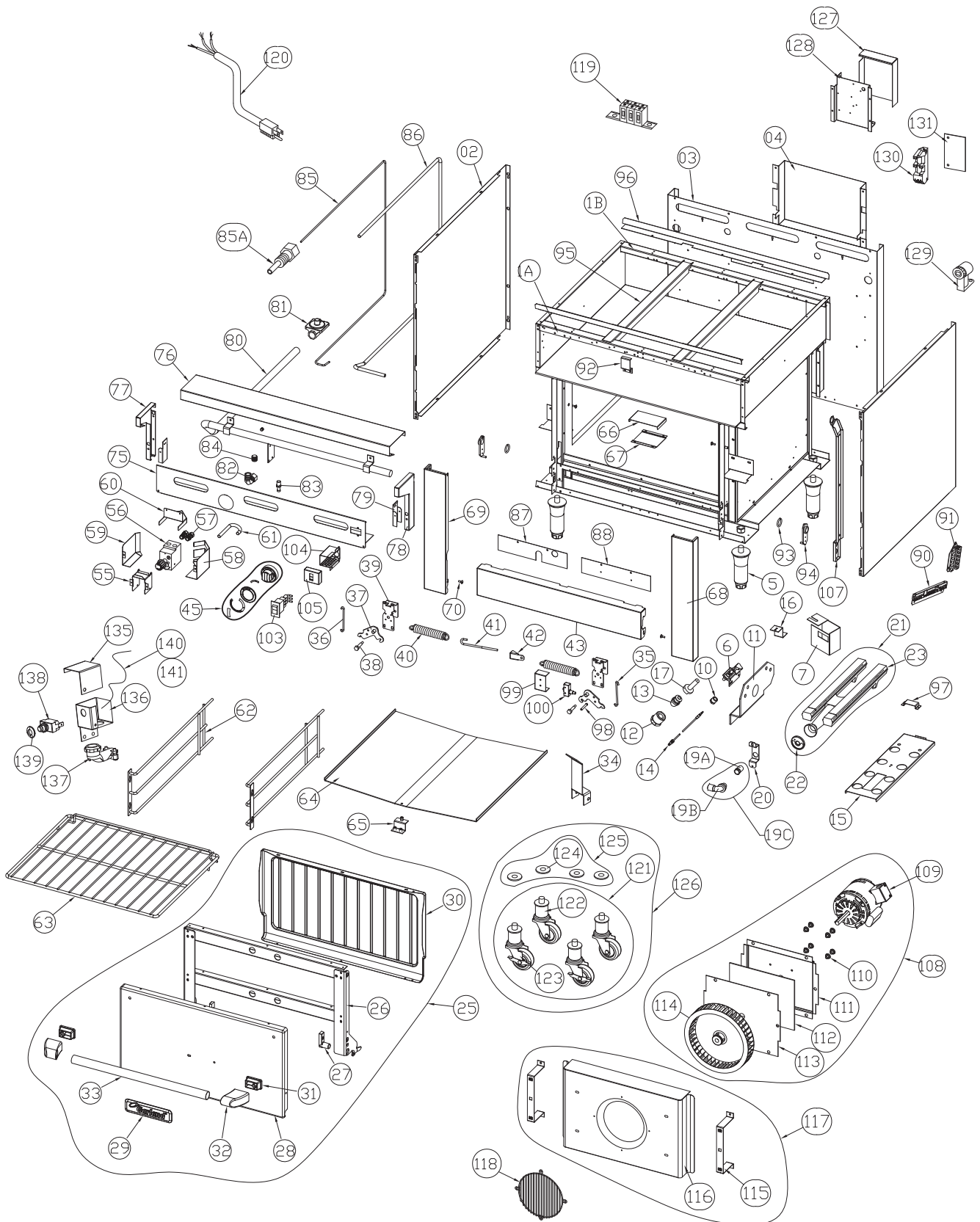
ITEM	PART #	DESCRIPTION	Oven Left	Oven Right	Double Oven	From	Up To	Critical
48	4523080	SIT Shield Left	1	1	2			
49	4524545	SIT Top Shield (Flame Failure Models)	1	1	2			
50	4524549	Tube - Sit To Manifold (Flame Failure Models)	1	1	2			
50A	4520720	7/16" Flexible Tubing Sit To Manifold NOTE: This Flexible Tubing is Only Used For Models with 12" Griddles Mounted on the L/H Side of the Range.						
51	4522411	Rack Guide 26D	2	2	4			
52	4522408	Oven Rack 26W x 26D	1	1	2			
53	4524992	Oven Hearth 26W x 26D - Enamelled	1	1	2			
54	4525550	Baffle Pan Right Hand 26"W	1	1	2			
55	4525549	Baffle Pan Left Hand 26"W	1	1	2			
56	4522990	Corner Column Left	1	1	1			
57	4522993	Center Column	1	1	1			
58	4522991	Corner Column Right	1	1	1			
59	F298	Bolt 10-24 X 3/8" Long Shoulder Truss Head	4	4	8			
60	4525054	60" Valve Panel - Standard (10 Open Top Burners) - FF	1	1	1			
	4525286	60" Valve Panel - 12" Standard & Thermostat Griddle R/H Side - FF						
	4525288	60" Valve Panel - 12" Standard & Thermostat Griddle L/H Side - FF						
	4525290	60" Valve Panel - 24" Standard & Thermostat Griddle R/H Side - FF						
	4525292	60" Valve Panel - 24" Standard & Thermostat Griddle L/H Side - FF						
	4525056	60" Valve Panel - 36" Standard & Thermostat Griddle R/H Side - FF						
60	4525058	60" Valve Panel - 36" Standard & Thermostat Griddle L/H Side - FF						
61	4523198	60" Plate Rail	1	1	1			
62	4524519	Garland Valve Panel End Cap Left - FF	1	1	1			
63	4524520	Garland Valve Panel End Cap Right - FF	1	1	1			
64	4523299	Burner Box Filler - FF	2	2	2			
65	4522564	Manifold Assembly (without Fittings)	1	1	1			
65A	4527205	60" Manifold Assembly (Australia Units Only)	1	1	1			
66	4525049	CE Regulator - Natural Gas 4.5" WC (1" Regulator)	1	1	1			C
	4525050	CE Regulator - Propane Gas 10" WC (1" Regulator)						C
67	G02352-1	90 Deg Elbow 3/8" Pipe to 7/16" Tube	1	1	2			
68	G02251-1	Pressure Test Spigot	1	1	1			
69	2203400	1/8" NPT Pipe Plug	2	2				
70	4523142	.187 Dia Tubing SIT Valve to Oven Pilot - Oven on the Left	1		1			
70A	4527220	SIT Pilot Tube Connection						
71	4523180	.187 Dia Tubing SIT Valve to Oven Pilot - Oven on the Right		1	1			
72	4523243	.437 Dia Tubing SIT Valve to Oven Orifice Fitting - Oven on the Left	1		1			
73	4523982	.437 Dia Tubing SIT Valve to Oven Orifice Fitting - Oven on the Right		1	1			
74	4522774	Air Shield Pilot 26W	1	1	2			
75	4522773	Air Shield Solid 26W	1	1	2			
76	4523031	Capillary Guard 26W	1	1	2			
77	4523030	Bulb Guard	1	1	2			
78	4523194	Rail Support Bracket	2	2	2			
79	1082700	Harness Ring	2	2	4			
80	4522400	Trunion Bracket	2	2	4			
81	4523087	Grate Support Rail	3	3	3			
82	4523069	36" Drip Angle	2	2	2			
83	4523186	24" Drip Angle	2	2	2			
84	1005104	Flue Collar	1	1	2			
85	4522996	Tie Strap Front	1	1	1			
86	4522995	Tie Strap Top	1	1	1			
87	4524632	Support Veneer Back Standard Oven (Optional)	1	1	1			
88	4524630	Veneer Back S/S - 60" Standard Oven (Optional)	1	1	1			
93A	4523536	6" Caster Package 3/4-10 Mount (Optional)	1	1	1			
93B	4523547	Adjustable Caster Package 3/4-10 Mount (Optional)						
94	4522417	6" Caster (3/4-10 Mount) W/O Brake	2	2	2			
	4525597	Adjustable Caster (3/4-10 Mount) W/O Brake						
95	4522916	6" Caster (3/4-10 Mount) With Brake	2	2	2			
	4525598	Adjustable Caster (3/4-10 Mount) With Brake						
96	4526157	Caster Washer - one per caster Used from serial #0901100100838	4	4	4	20-Jan-09		
97	4526325	Caster Washer Kit (4 washers included)	1	1	1			
98A	4526323	Adjustable Caster Package (included item 93B & 97)	1	1	1			
98B	4526324	6" Caster package (included item 93A & 97)						

* NOT ILLUSTRATED
RECOMMENDED STOCK PARTS

GARLAND PARTS IDENTIFICATION
GARLAND 60" GFE SERIES RESTAURANT RANGE STANDARD OVEN VIEW SECTION

ITEM	PART #	DESCRIPTION	Oven Left	Oven Right	Double Oven	From	Up To	Critical
105	4524966	Spark Ignition Box Cover	1	1	1			
106	4524965	Spark Ignition Box	1	1	1			
107	1028500	Connector 3/8" 90Deg.	1	1	1			
108	4527834	Momentary Switch Push Button	1	1	1			C
109	3064800	Decorative Dress Nut APEM#A540	1	1	1			
110	2200213	90" High Tension Wire Leads	1	1	2			C
111	G03883R	Thermoflex Insulating Sleeve (sold by the Ft.) 81" required	1	1	2			C
115	4523398	Power Cord 6' 3/14GA 15Amp SJ00W	1	1	1			
116	G01497-1	BX Connector Straight 3/8"	1	1	1			
117	2573800	Terminal Box Cover	1	1	1			
118	2573700	Terminal Box	1	1	1			
119	4514749	Spark Generator 230V - 4 Outlets Note: 1 outlet required for each pilot			3			C
	4514750	Spark Generator 120V - 4 Outlets Note: 1 outlet required for each pilot			3			C
120	4516898	Insulator Plate (for Spark Generator)			3			
121	2566500	Spark Generator Housing	1	1	1			
122	2566600	Spark Box Cover	1	1	1			
123	2570400	Divider	1	1	1			
125	3050401	Miniature Terminal Block Assy 3P	1	1	1			

* NOT ILLUSTRATED
RECOMMENDED STOCK PARTS



GFE36RC Oven Section

GARLAND PARTS IDENTIFICATION
GARLAND 36" GFE SERIES RESTAURANT RANGE CONVECTION OVEN (RC) VIEW SECTION

ITEM	PART #	DESCRIPTION	QTY	From	Up To	Critical
1A	4523068	36" Main Channel - Front	1			
1B	4525530	36" Main Channel - Rear	1			
2	4522764	Body Side Lt/Rt	2			
3	4522931	Main Back 36" RC Oven	1			
4	4522930	Flue Riser RC Oven	1			
5	4525074	6" Adjustable Leg S/S	4			
6	2200700	Pilot R/H #0.145.010 (Mounted on L/H Side of Burner) More Details on Page 33	1			C
7	4525285	G/U Oven Pilot Shield L/H (Used for 2200700 Pilot R/H)	1			
10	2200706	Thermocouple Retaining Nut	1			C
11	4524677	Pilot Bracket - Garland/USR				
12	2200704	3/16" Compression Nut - Oven Pilot	1			C
13	2200705	3/16" Ferrule - Oven Pilot	1			C
14	4523506	Thermocouple Oven 60"	1			C
15	4522763	Oven Burner Rest	1			
16	2512200	Burner Hold Down Bracket	1			
17	2200702	Pilot Orifice #32 Natural Gas	1			C
	2200703	Pilot Orifice #23 Propane	1			C
Non CE and CE Export						
19A	M9-30	Large Orifice # 30 Natural Gas (G20)	1			C
	M9-50	Large Orifice # 50 Propane (G31)	1			C
	M9-30	Large Orifice # 30 Natural Gas (G20) - Australia	1			C
	M9-51	Large Orifice # 51 Propane (G31) - Australia	1			C
19B	14155XX	Oven Orifice Fitting (without orifice)	1			C
19C	1415530F	Oven Orifice Fitting w/#30 Hood - Nat	1			C
	1415550F	Oven Orifice Fitting w/#50 Hood - Propane Gas	1			C
	1415551F	Oven Orifice Fitting w/#51 Hood - Propane Gas (G31) Australia	1			C
20	4522781	Orifice Bracket Oven	1			
21	4525464	H - Burner With Air Shutter Assembly (Partially Ported)	1			
22	2512100	Oven Burner Air Shutter	1			
23	1014901	Cast Iron H-Burner (Partially Ported)	1			
25	4525151	Garland 26W Oven Door Assembly	1			
26	4522769	Door Frame Assembly 26W	1			
27	1082500	Oven Door Trunion	2			
28	4522737	Oven Door Panel 26W (with holes)	1			
29	4522397	Garland Logo	1			
30	4522377	Oven Door Liner 26W	1			
31	4522407	Door Handle End Insulator	2			
32	4522404	Door Handle End - Garland	2			
33	4522644	Door Handle Garland 36" 1.250 dia.	1			
34	4524808	Hinge RC Door Switch	1			
35	1082802	Hinge Link Rt	1			C
36	1082803	Hinge Link Lt	1			C
37	4522772	Bell Crank Assembly	2			
38	F299	Bolt 1/4-20x1/2" Bell Crank	2			
39	4522818	Bell Crank Support Bracket	2			
40	1005800	Oven Door Spring - Garland	2			C
41	4523497	6" Long J-Bolt (F598)	1			C
42	4526109	Door Spring ADJ Bracket	1			
43	4522770	Kick Panel 26W	1			
45	4526237	Knob Assembly - Oven Sit Deg F (FF-Series)	1			C
	4526238	Knob Assembly - Oven Sit Deg C (FF-Series)				C
55	4523081	ES Shield Mount	1			

* NOT ILLUSTRATED

RECOMMENDED STOCK PARTS

GARLAND PARTS IDENTIFICATION
GARLAND 36" GFE SERIES RESTAURANT RANGE CONVECTION OVEN (RC) VIEW SECTION

ITEM	PART #	DESCRIPTION	QTY	From	Up To	Critical
56	4523006	SIT Oven Control	1			C
57	1095499	Straight Connector 7/16	2			
58	4523079	ES Shield Rt	1			
59	4523080	SIT Lt Shield	1			
60	4524545	SIT Top Shield (Flame Failure Models)	1			
61	4524549	Tube - Sit To Manifold (Flame Failure Models)	1			
62	4522413	Rack Guide RC Oven	2			
63	4522409	Oven Rack 26W x 22D	1			
64	4524459	Fire Plate RC Oven	1			
65	4522950	Fire Plate Support Bracket Assembly	1			
66	1412300	Vent Slide	1			
67	1412400	Vent Slide Housing	13			
68	4522766	Corner Column Rt 36"	1			
69	4522765	Corner Column Lt 36"	1			
70	F298	Bolt 10-24 x 3/8 Long Shoulder Truss HD	2			
75	4524420	36" Valve Panel - Standard RC Version - FF	1			
	4524426	36" Valve Panel - 12" Standard & Thermostat Griddle L/H Side RC Version - FF	1			
	4524429	36" Valve Panel - 12" Standard & Thermostat Griddle R/H Side RC Version - FF	1			
	4525250	36" Valve Panel - 24" Thermostat Griddle R/H Side RC Version - FF	1			
	4525252	36" Valve Panel - 24" Standard & Thermostat Griddle L/H Side RC Version - FF	1			
	4525254	36" Valve Panel - 36" Standard & Thermostat Griddle RC Version - FF	1			
76	4523072	36" Plate Rail	1			
77	4524519	Garland Valve Panel End Cap - Left - FF	1			
78	4524520	Garland Valve Panel End Cap - Right - FF	1			
79	4523299	Burner Box Filler - FF	2			
80	4522562	Manifold Assembly - 36" (without Fitting)	1			
80A	4527203	36" Manifold Assembly (Australia Units Only)	1			
81	3018200	CE Regulator - Natural Gas 4.5" WC (3/4" Regulator)	1			C
	3018201	CE Regulator - Propane Gas 10" WC (3/4" Regulator)	1			C
82	G02352-1	90 Deg Elbow 9/8" Pipe - 7/16" Tube	1			
83	G02251-1	Pressure Test Spigot	1			
84	2203400	1/8" NPT Pipe Plug	2			
85	4523142	.187 Dia Tubing - Sit Valve to Oven Pilot	1			
85A	4527220	SIT Pilot Tube Connection	1			
86	4523143	.437 Dia Tubing - Valve to Oven Orifice Fitting	1			
87	4522774	Air Shield Pilot 26W	1			
88	4522773	Air Shield Solid 26W	1			
90	4523031	Capillary Guard 26W Standard Oven	1			
91	4523030	Bulb Guard Standard Oven	1			
92	4523194	Rail Support Bracket	1			
93	1082700	Harness Ring	2			
94	4522400	Trunion Bracket	2			
95	4523087	Grate Support Rail	2			
96	4523069	36" Drip Angle	2			
97	4512234	Burner Support Track	1			
98	G01503-16	1/4-20 x 1.750" Long Weld Stud	1			
99	4522932	Door Switch Cover	1			
100	1019600	RC Door Switch	1			C
103	1358900	RC Switch (Power Switch on/off/on)	1			C

* NOT ILLUSTRATED

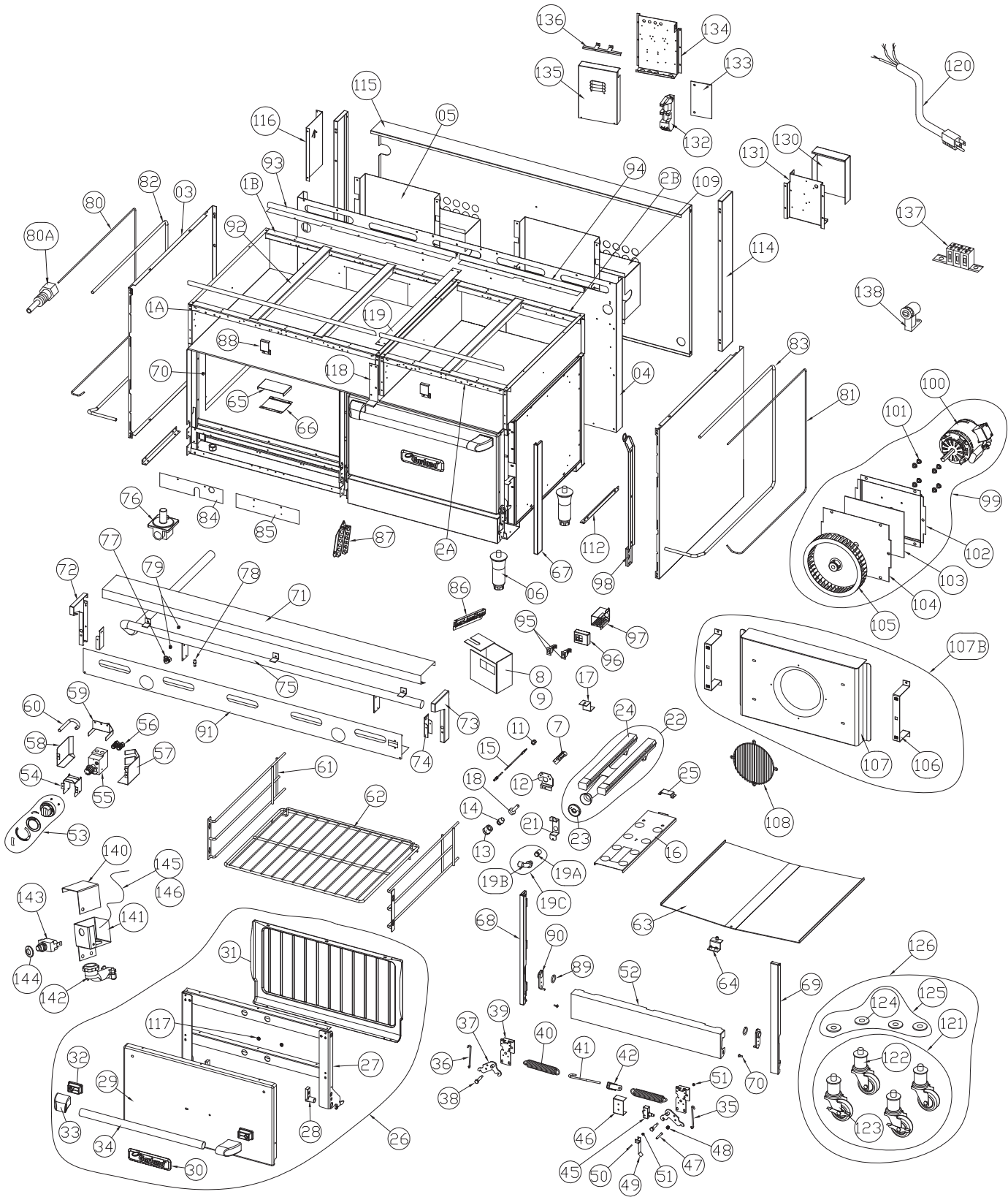
RECOMMENDED STOCK PARTS

GARLAND PARTS IDENTIFICATION
GARLAND 36" GFE SERIES RESTAURANT RANGE CONVECTION OVEN (RC) VIEW SECTION

ITEM	PART #	DESCRIPTION	QTY	From	Up To	Critical
104	4524317	RC Extension Box - C	1			
105	4523222	RC Switch Box	1			
107	4524280	Wire Channel	1			
108	4515043	RC Motor Assembly 120v	1			C
109	2485801	RC Motor 1/3HP, 115V, 60Hz	1			C
	2485800	RC Motor 1/3HP, 208/240V, 50/60Hz	1			C
110	G01503-3	1/4-20 Ohio Nut	8			
111	3013301	Motor Mount Pocket	1			
112	1669101	Motor Pocket Insulation Board	1			
113	3013401	Motor Mount Plate	1			
114	02952-01P	Blower Wheel Assembly (Plated)	1			
115	1361298	Bracket Air Baffle Support Units Manufactured up-to Jan 23/09, Require Kit Item # 117	2		23-Jan-09	
115A	4526160	Air Baffle Support Bracket Assy with Cage Nuts	2	24-Jan-09		
116	4525267	Air Baffle Units Manufactured up-to Jan 23/09, Require Kit Item # 117	1		23-Jan-09	
116A	4526161	Air Baffle	1	24-Jan-09		
117	4526164	RC Air Baffle Kit (includes Items 115A & 116A) This Kit can be used before or after Jan 23/09.	1			
118	2520100	Fan Protector Screen	1			
119	3050401	Miniature Terminal Block Assy 3-P	1			
120	4523398	Power Cord/Plug 6Ft 3/4GA / 15Amp / SJ00W	1			
121A	4523536	6" Caster Package (Optional)	1			
121B	4523547	Adjustable Caster Package (Optional)	1			
122	4522417	6" Caster (3/4-10 Mount) W/O Brake	2			
	4525597	6" Adjustable Caster (3/4-10 Mount) W/O Brake	2			
123	4522916	6" Caster (3/4-10 Mount) With Brake	2			
	4525598	6" Adjustable Caster (3/4-10 Mount) With Brake	2			
124	4526157	Caster Washer - one per caster Used from serial #0901100100838	4	20-Jan-09		
125	4526325	Caster Washer Kit (4 washers included)	1			
126A	4526323	Adjustable Caster Package (included item 121B & 125)	1			
126B	4526324	6" Caster package (included item 121A & 125)				
127	2573800	Terminal Box Cover	1			
128	2573700	Terminal Box	1			
129	G01497-1	BX Connector Straight 3/8"	1			
130	4514749	Spark Generator 230V - 4 Outlets Note: 1 outlet required for each pilot	2			C
	4514750	Spark Generator 120V - 4 Outlets Note: 1 outlet required for each pilot	2			C
131	4516898	Insulator Plate (for Spark Generator)	2			
135	4524966	Spark Ignition Box Cover	1			
136	4524965	Spark Ignition Box	1			
137	1028500	Connector 3/8" 90Deg.	1			
138	4527834	Momentary Switch Push Button	1			C
139	3064800	Decorative Dress Nut APEM#A540	1			
140	2200213	90" High Tension Wire Leads	1			C
141	G03883R	Thermoflex Insulating Sleeve (sold by the Ft.) 81" required	1			C

* NOT ILLUSTRATED

RECOMMENDED STOCK PARTS



GFE60RC Oven Section

GARLAND PARTS IDENTIFICATION
GARLAND 60" GFE SERIES RESTAURANT RANGE CONVECTION OVEN (RC) VIEW SECTION

ITEM	PART #	DESCRIPTION	RC Left	RC Right	Double RC	From	Up To	Critical
1A	4523068	36" Main Channel - Front	1	1	1			
1B	4525530	36" Main Channel - Rear	1	1	1			
2A	4523184	24" Main Channel - Front	1	1	1			
2B	4525529	24" Main Channel - Rear	1	1	1			
3	4522764	Body Side Lt/Rt	2	2	2			
4	4523025	Main Back - Std Oven Rt, RC Oven Lt	1					
	4523026	Main Back - Std Oven Lt, RC Oven Rt		1				
	4523024	Main Back - 2 RC Ovens			1			
5	4522930	Flue Riser RC Oven	1	1	2			
6	4525074	6" Adjustable Leg S/S	4	4	4			
7	2200700	Pilot R/H #0.145.010 - Oven on the Left (Mounted on L/H Side of Burner) More Details on Page 33	1		1			C
	2200701	Pilot L/H #0.145.007 - Oven on the Right (Mounted on R/H Side of Burner) More Details on Page 37		1	1			C
8	4525285	G/U Oven Pilot Shield L/H (Used for 2200700 Pilot R/H)	1		1			
9	4525300	G/U Oven Pilot Shield R/H (Used for 2200701 Pilot L/H)		1	1			
11	2200706	Thermocouple Retaining Nut	1	1	2			C
12	4524677	Pilot Bracket - Garland/USR	1	1	2			
13	2200704	3/16" Compression Nut - Oven Pilot	1	1	2			C
14	2200705	3/16" Ferrule - Oven Pilot	1	1	2			C
15	4523506	Thermocouple Oven 60"	1	1	2			C
16	4522763	Oven Burner Rest	1	1	2			
17	2512200	Burner Hold Down Bracket	1	1	2			
18	2200702	Pilot Orifice #32 Natural Gas	1	1	2			C
	2200703	Pilot Orifice #23 Propane						
Non CE and CE Export								
19A	M9-30	Large Orifice # 30 Natural Gas (G20)	1	1	2			C
	M9-50	Large Orifice # 50 Propane (G31)						C
	M9-30	Large Orifice # 30 Natural Gas (G20) - Australia	1	1	2			C
	M9-51	Large Orifice # 51 Propane (G31) - Australia	1	1	2			C
19B	14155XX	Oven Orifice Fitting (without orifice)	1	1	2			C
19C	1415530F	Oven Orifice Fitting w/#30 Hood - Nat	1	1	2			C
	1415550F	Oven Orifice Fitting w/#50 Hood - Propane Gas						C
	1415551F	Oven Orifice Fitting w/#51 Hood - Propane Gas (G31) Australia	1	1	2			C
21	4522781	Orifice Bracket Oven	1	1	2			
22	4525464	H - Burner With Air Shutter Assembly (Partially Ported)	1	1	2			
23	2512100	Oven Burner Air Shutter	1	1	2			
24	1014901	Cast Iron H-Burner (Partially Ported)	1	1	2			
25	4512234	Burner Support Track	1	1	2			
26	4525151	Garland 26W Door Assembly	1	1	2			
27	4522769	Door Frame Assembly 26W	1	1	2			
28	1082500	Oven Door Trunion	2	2	4			
29	4522737	Oven Door Panel 26W (with holes)	1	1	2			
30	4522397	Garland Logo	1	1	2			
31	4522377	Oven Door Liner 26W	1	1	2			
32	4522407	Door Handle End Insulator	2	2	4			
33	4522404	Door Handle End - Garland	2	2	4			
34	4522644	Door Handle Garland 36" 1.250 dia.	1	1	2			
35	1082802	Hinge Link Rt	1	1	2			C
36	1082803	Hinge Link Lt	1	1	2			C
37	4522772	Bell Crank Assembly	2	2	4			
38	F299	Bolt 1/4-20x1/2" Bell Crank	2	2	4			
39	4522818	Bell Crank Support Bracket	2	2	4			
40	1005800	Oven Door Spring - Garland	2	2	4			C
41	4523497	6" Long J-Bolt (F598)	1	1	2			C
42	4526109	Door Spring ADJ Bracket	1	1	2			
45	1019600	RC Door Switch	1	1	2			
46	4522932	Door Switch Cover	1	1	2			
47	G01503-16	1/4-20 x 1.750" Long Weld Stud	1	1	2			
48	F86	1/4-20 Lock Nut	1	1	2			
49	4524808	Hinge - RC Door Switch	1	1	2			
50	F599	#6-32 x 1.5" Machine screw	1	1	2			
51	F590	#6-32 K-Lock Nut	2	2	4			
52	4522770	Kick Panel 26W	1	1	2			
53	4526237	Knob Assembly - Oven Sit Deg F (FF-Series)	1	1	2			C
	4526238	Knob Assembly - Oven Sit Deg C (FF-Series)						C

* NOT ILLUSTRATED
RECOMMENDED STOCK PARTS

GARLAND PARTS IDENTIFICATION
GARLAND 60" GFE SERIES RESTAURANT RANGE CONVECTION OVEN (RC) VIEW SECTION

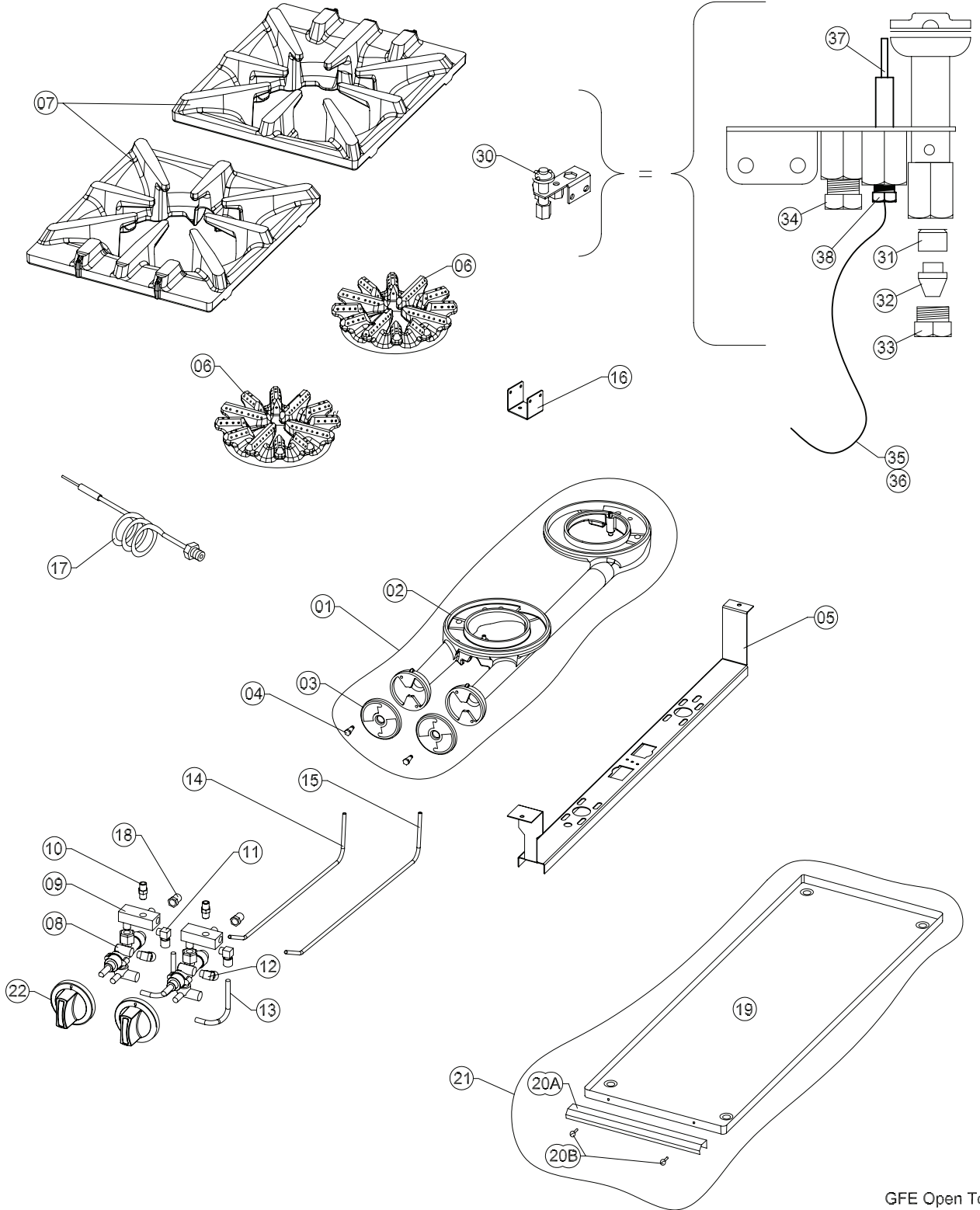
ITEM	PART #	DESCRIPTION	RC Left	RC Right	Double RC	From	Up To	Critical
54	4523081	SIT Shield Mount	1	1	2			
55	4523006	SIT Oven Control	1	1	2			C
56	1095499	Straight Connector 7/16	2	2	4			
57	4523079	SIT Shield Rt	1	1	2			
58	4523080	SIT Shield Lt	1	1	2			
59	4524545	SIT Top Shield (Flame Failure Models)	1	1	2			
60	4524549	Tube - Sit To Manifold (Flame Failure Models)	1	1	2			
61	4522413	Rack Guide RC Oven	2	2	4			
62	4522409	Oven Rack 26W x 22D	3	3	6			
63	4524459	Fire Plate RC Oven	1	1	2			
64	4522950	Fire Plate Support Bracket Assembly	1	1	2			
65	1412300	Vent Slide	1	1	2			
66	1412400	Vent Slide Housing	1	1	2			
67	4522991	Corner Column Rt	1	1	1			
68	4522990	Corner Column Lt	1	1	1			
69	4522993	Center Column	1	1	1			
70	F298	Bolt 10-24 x 3/8 Long Shoulder Truss HD	4	4	8			
71	4523198	60" Plate Rail	1	1	1			
72	4524519	Garland Valve Panel End Cap - Left - FF	1	1	1			
73	4524520	Garland Valve Panel End Cap - Right - FF	1	1	1			
74	4523299	Burner Box Filler - FF	2	2	2			
75	4522562	Manifold Assembly - 36" (without Fitting)	1	1	1			
75A	4527205	60" Manifold Assembly (Australia Units Only)	1	1	1			
76	3018200	CE Regulator - Natural Gas 4.5" WC (3/4" Regulator)	1	1	1			C
	3018201	CE Regulator - Propane Gas 10" WC (3/4" Regulator)						C
77	G02352-1	90 Deg Elbow 3/8" Pipe - 7/16" Tube	1	1	2			
78	G02251-1	Pressure Test Spigot	1	1	1			
79	2203400	1/8" NPT Pipe Plug	2	2				
80	4523142	.187 Dia Tubing SIT Valve to Oven Pilot - Oven on the Left	1		1			
80A	4527220	SIT Pilot Tube Connection						
81	4523180	.187 Dia Tubing SIT Valve to Oven Pilot - Oven on the Right		1	1			
82	4523243	.437 Dia Tubing SIT Valve to Oven Orifice Fitting - Oven on the Left	1		1			
83	4523982	.437 Dia Tubing SIT Valve to Oven Orifice Fitting - Oven on the Right		1	1			
84	4522774	Air Shield Pilot 26W	1	1	2			
85	4522773	Air Shield Solid 26W	1	1	2			
86	4523031	Capillary Guard 26W Standard Oven	1	1	2			
87	4523030	Bulb Guard Standard Oven	1	1	2			
88	4523194	Rail Support Bracket	2	2	2			
89	1082700	Harness Ring	2	2	4			
90	4522400	Trunion Bracket	2	2	4			
91	4525055	60" Valve Panel - RC Version (10 Open Top Burners) - FF	1	1	1			
	4525287	60" Valve Panel - 12" Standard & Thermostat Griddle R/H Side RC Version - FF						
	4525289	60" Valve Panel - 12" Standard & Thermostat Griddle L/H Side RC Version - FF						
	4525291	60" Valve Panel - 24" Thermostat Griddle R/H Side RC Version - FF						
	4525293	60" Valve Panel - 24" Thermostat Griddle L/H Side RC Version - FF						
	4525057	60" Valve Panel - 36" Standard & Thermostat Griddle R/H Side RC Version - FF						
	4525059	60" Valve Panel - 36" Thermostat Griddle L/H Side RC Version - FF						
92	4523087	Grate Support Rail	3	3	3			
93	4523069	36" Drip Angle	2	2	2			
94	4523186	24" Drip Angle	2	2	2			
95	1358900	RC Switch (Power Switch on/off/on)	1	1	2			
96	4524317	RC Extension Box - C	1	1				
	4524316	RC Extension Box - CC			1			
97	4523222	RC Switch Box	1	1	1			
98	4524280	Wire Channel	1	1	1			
99	4515043	RC Motor Assembly 120V	1	1	2			C
100	2485801	RC Motor 1/3HP, 115V, 60Hz	1	1	2			C
	2485800	RC Motor 1/3HP, 208/240V, 50/60Hz						
101	G01503-1	1/4-20 Ohio Nut	8	8	16			
102	3013301	Motor Mount Pocket	1	1	2			
103	1669101	Motor Pocket Insulation Board	1	1	2			
104	3013401	Motor Mount Plate	1	1	2			
105	G02952-01P	Blower Wheel Assembly (Plated)	1	1	2			

* NOT ILLUSTRATED
RECOMMENDED STOCK PARTS

GARLAND PARTS IDENTIFICATION
GARLAND 60" GFE SERIES RESTAURANT RANGE CONVECTION OVEN (RC) VIEW SECTION

ITEM	PART #	DESCRIPTION	RC Left	RC Right	Double RC	From	Up To	Critical
106	1361298	Bracket Air Baffle Support Units Manufactured up-to Jan 23/09, Require Kit Item # 107B	2	2	4		23-Jan-09	
106A	4526160	Air Baffle Support Bracket Assy with Cage Nuts	2	2	4	24-Jan-09		
107	4525267	Air Baffle Units Manufactured up-to Jan 23/09, Require Kit Item # 107B	1	1	2		23-Jan-09	
107A	4526161	Air Baffle	1	1	2	24-Jan-09		
107B	4526164	RC Air Baffle Kit (includes Items 106A & 107A) This Kit can be used before or after Jan 23/09.	1	1	2			
108	2520100	Fan Protector Screen	1	1	2			
109	2519700	Motor Guard	1	1	2			
112	4523027	Retention Bracket 60" RC Oven	1	1	2			
114	4524629	Extension RC S/S Veneer Back (Optional)	2	2	2			
115	4524631	Veneer Back S/S 60" RC Oven (Optional)	1	1	1			
116	4524633	Veneer Support - 60" RC Oven (Optional)	1	1	1			
117	F95	Pal Nut	2	2	4			
118	4522996	Tie Strap Front	1	1	1			
119	4522995	Tie Strap Top	1	1	1			
120	4523398	Power Cord/Plug 6Ft 3/4GA / 15Amp / SJ00W	1	1	2			
121A	4523536	6" Caster Package (Optional)	1	1	1			
121B	4523547	Adjustable Caster Package (Optional)						
122	4522417	6" Caster (3/4-10 Mount) W/O Brake	2	2	2			
	4525597	6" Adjustable Caster (3/4-10 Mount) W/O Brake						
123	4522916	6" Caster (3/4-10 Mount) With Brake	2	2	2			
	4525598	6" Adjustable Caster (3/4-10 Mount) With Brake						
124	4526157	Caster Washer - one per caster Used from serial #0901100100838	4	4	4	20-Jan-09		
	4526325	Caster Washer Kit (4 washers included)	1	1	1			
126A	4526323	Adjustable Caster Package (included item 121B & 125)	1	1	1			
126B	4526324	6" Caster package (included item 121A & 125)						
130	2573800	Terminal Box Cover	1	1	1			
131	2573700	Terminal Box	1	1	1			
132	4514749	Spark Generator 230V - 4 Outlets Note: 1 outlet required for each pilot			3			C
	4514750	Spark Generator 120V - 4 Outlets Note: 1 outlet required for each pilot			3			C
133	4516898	Insulator Plate (for Spark Generator)			3			
134	2566500	Spark Generator Housing	1	1	1			
135	2566600	Spark Box Cover	1	1	1			
136	2570400	Divider	1	1	1			
137	3050401	Miniature Terminal Block Assy 3P	1	1	1			
138	G01497-1	BX Connector Straight 3/8"	1	1	1			
140	4524966	Spark Ignition Box Cover	1	1	1			
141	4524965	Spark Ignition Box	1	1	1			
142	1028500	Connector 3/8" 90Deg.	1	1	1			
143	4527834	Momentary Switch Push Button	1	1	1			C
144	3064800	Decorative Dress Nut APEM#A540	1	1	1			
145	2200213	90" High Tension Wire Leads	1	1	2			C
146	G03883R	Thermoflex Insulating Sleeve (sold by the Ft.) 81" required	1	1	2			C

* NOT ILLUSTRATED
RECOMMENDED STOCK PARTS



GFE Open Top

GARLAND PARTS IDENTIFICATION
GARLAND GFE SERIES RESTAURANT RANGE - OPEN TOP BURNERS VIEW SECTION

ITEM	PART #	DESCRIPTION	12" Open Top Section	24" Open Top Section	36" Open Top Section	48" Open Top Section	60" Open Top Section	Critical
1	4522264	Dual Housing Base Assembly	1	2	3	4	5	
2	4522265	Dual Venturi Housing	1	2	3	4	5	
3	4522266	Air Shutter - Open Top	2	4	6	8	10	
4	F43	10-24 x 3/8" Hex Washer Head Screw	2	4	6	8	10	
5	4524584	Open Top Burner Rest - Flame Failure	1	2	3	4	5	
6	4522270	Star Burner Head - Garland	2	4	6	8	10	
7	4523696	Garland Top Grate	2	4	6	8	10	
8	2200194	Flame Failure Valve Assembly	2	4	6	8	10	C
9	4524371	Flame Failure Valve Mounting Block	2	4	6	8	10	
10	4524442	1/8" NPT Hex Pipe Nipple	2	4	6	8	10	
11	076050-80	Elbow Comp. 1/4T x 1/8P	2	4	6	8	10	
12	G03674-2	Valve - Pilot 3/16" angle 90deg.	2	4	6	8	10	
13	4523158	.250 Tubing - FF Valve	2	4	6	8	10	
14	4523444	Open Top Tubing Front - FF	2	4	6	8	10	
15	4523445	Open Top Tubing Rear - FF	2	4	6	8	10	
16	4523288	FF - Sit Pilot Saddle	2	4	6	8	10	
17	4523505	18" Thermocouple - Sit 0290084	2	4	6	8	10	C
Non CE and CE Export								
18	M8-2.6mm	Open Top Orifice Natural Gas #2.6mm (G20)	2	4	6	8	10	C
	M8-52	Open Top Orifice Propane Gas #52 (G31)	2	4	6	8	10	C
	M8-37	Open Top Orifice Natural Gas #37 (G20) Australia	2	4	6	8	10	C
	M8-53	Open Top Orifice Propane Gas #53 (G31) Australia	2	4	6	8	10	C
19	4522401	Crumb Tray	1	2	3	4	5	
20A	4522402	Crumb Tray Trim	1	2	3	4	5	
20B	F554	Rivet .125 in dia SS	2	4	6	8	10	
21	CK4523334	Crumb Tray Assembly	1	2	3	4	5	
22	4526695	OT/HT Knob Assembly GF/GFE Series	2	4	6	8	10	C
30	2520800	Open Burner Pilot - FF	2	4	6	8	10	C
31	2520801	Orifice Pilot 51 (Natural)	2	4	6	8	10	C
	2520802	Orifice Pilot 30 (Propane)	2	4	6	8	10	C
32	2520804	Sleeve 3/16"COMP #0.957.025	2	4	6	8	10	C
33	2200704	3/16" Compression Nut	2	4	6	8	10	C
34	2200706	Nut Thermo Retaining	2	4	6	8	10	C
35	2200212	45" High Tension Wire Lead	2	4	6	8	10	C
36	G03883R	Thermoflex Insulating Sleeve Note: 4' Feet Required Per Electrode	2	4	6	8	10	C
37	2200708	Electrode #0.915.025	2	4	6	8	10	C
38	2200707	Nut Electrode #0.974.144	2	4	6	8	10	C

* NOT ILLUSTRATED

RECOMMENDED STOCK PARTS

GARLAND PARTS IDENTIFICATION
GARLAND GFE SERIES RESTAURANT RANGE - HI / LOW GRIDDLE TOP VIEW SECTION

ITEM	PART #	DESCRIPTION					From	Up To	Critical
			12" Griddle	24" Griddle	36" Griddle Right	36" Griddle Left			
1	4525514	Hot Top / Griddle Burner Box	1	2	3	3			
2	4524158	Griddle / Hot Box Patch		1	2	2			
3A	4524326	12" Chute Rear Plate	1						
3B	4524325	12" Grease Chute Funnel	1						
4A	4523219	Grease Chute Rear Plate		1	1	1			
4B	4523218	Grease Chute Funnel		1	1	1			
5	4523217	Grease Drawer Handle		1	1	1			
6	4523221	Grease Drawer Shield		1	1	1			
7	4523493	Grease Drawer Assembly		1	1	1			
8	1014901	Cast Iron H-Burner (Partially Ported)	1	2	3	3			
9	1028002	Air Shutter - Hot Top / Griddle	1	2	3	3			
10	4525463	H-Burner W/Shutter Assembly (Partially Ported)	1	2	3	3			
Non CE and CE Export									
11	M8-46	Griddle Orifice Natural Gas #46 (G20)	1	2	3	3			C
	M8-1.3mm	Griddle Orifice Propane Gas #1.3mm (G31)	1	2	3	3			C
	M8-47	Griddle Orifice Small - Natural Gas #47 (G20) Australia	1	2	3	3			C
	M8-1.2mm	Griddle Orifice Small - Propane Gas #1.2mm (G31) Australia	1	2	3	3			C
12	4524416	False Trim 6" (Only Used on 60" Units W/48" Griddle Left)							
	4524414	False Trim 12" (Only Used on 48" Units W/36" Griddle Left & 60" Units W/48 Griddle Left.)							
	4523552	False Trim 16"		1		1			
	4523690	False Trim 17" (Only Used on 36" Units W/24" Griddle Right)							
	4524412	False Trim 18"							
	4523528	False Trim 28" (Used on 36" Units W/36" Griddle, 60" Units W/60" Griddle & 60" Unit W/36 Griddle Left)			1	1			
	4523516	False Trim 29" (Used only for 48"&60" Range Models w/36" Griddles Right)			1				
13	4523519	False Trim Bracket		2	2	2			
14	4525515	Burner Side Deflector	2	4	6	6			
15	4523418	Rear Griddle Splash Guard - 12"	1						
	4523419	Rear Griddle Splash Guard - 24"		1					
	4523420	Rear Griddle Splash Guard - 36"			1	1			
16	4523235	12" Griddle Assembly	1						
	4523234	24" Griddle Assembly		1					
	4523781	24" Griddle Assembly (Fully Grooved)		1					
	4523782	24" Griddle Assembly (Right Grooved)		1					
	4523783	24" Griddle Assembly (Left Grooved)		1					
	4523931	36" Griddle Assembly - Middle Chute (Used only on 48" unit w/36" Griddle on Left)				1			
	4523932	36" Griddle Assembly - Middle Chute - Fully Grooved (Used only on 48" unit w/36" Griddle on Left)				1			
	4523933	36" Griddle Assembly - Middle Chute - Right Grooved (Used only on 48" unit w/36" Griddle on Left)				1			
	4523934	36" Griddle Assembly - Middle Chute - Left Grooved (Used only on 48" unit w/36" Griddle on Left)				1			
	4523236	36" Griddle Assembly			1	1			
	4523784	36" Griddle Assembly (Fully Grooved)			1	1			
4523785	36" Griddle Assembly (Right Grooved)			1	1				
4523786	36" Griddle Assembly (Left Grooved)			1	1				
17	4525503	Sit Pilot Bracket	1	2	3	3			

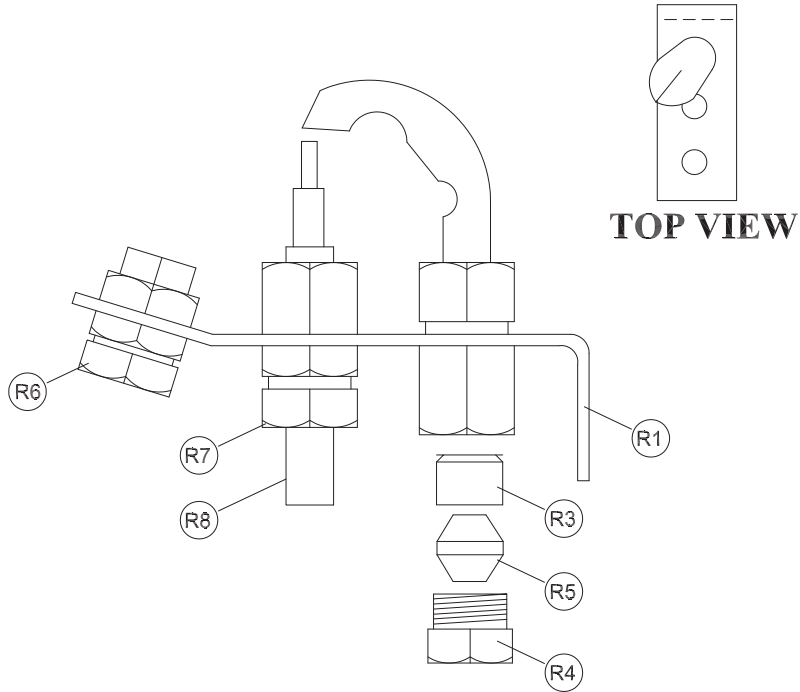
* NOT ILLUSTRATED

RECOMMENDED STOCK PARTS

GARLAND PARTS IDENTIFICATION
GARLAND GFE SERIES RESTAURANT RANGE - HI / LOW GRIDDLE TOP VIEW SECTION

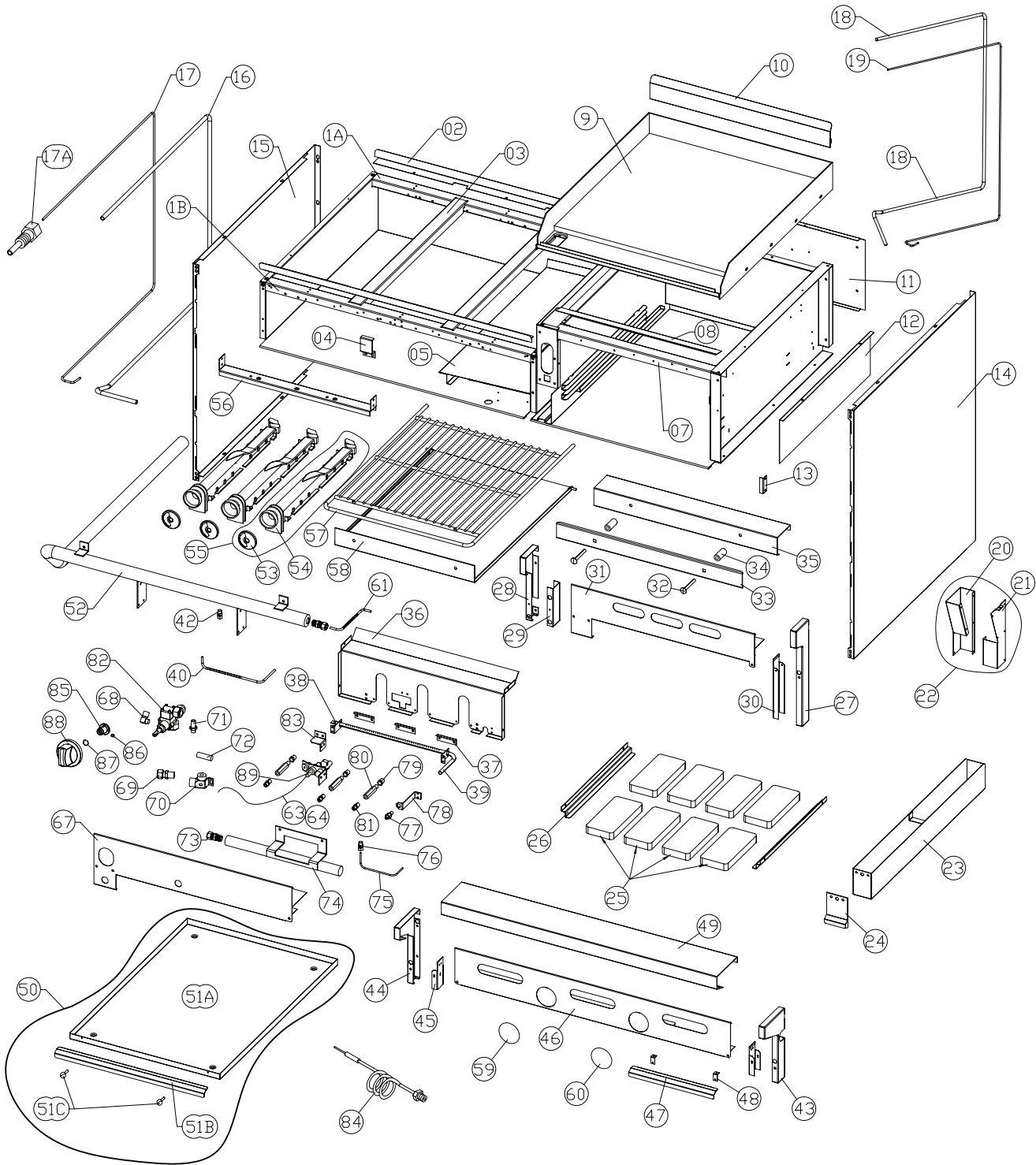
ITEM	PART #	DESCRIPTION					From	Up To	Critical
			12" Griddle	24" Griddle	36" Griddle Right	36" Griddle Left			
18	2200701	Pilot Lt #0.145.007 More Details on Page 37	1	2	3	3			C
19	2200702	Pilot Orifice #32 Natural Gas	1	2	3	3			C
	2200703	Pilot Orifice #23 Propane Gas	1	2	3	3			C
20	2200705	3/16" Ferrule - Pilot	1	2	3	3			
21	2200704	3/16" Compression Nut - Pilot	1	2	3	3			
22	4527389	Orifice Bracket FF Std Grid	1	2	3	3			
23	4525333	3/16 SS Flex Tube 13 Long	1	2	3	3			
24	G02486XX	Orifice Fitting	1	2	3	3			C
25	2200194	Flame Failure Valve Assembly	1	2	3	3			C
26A	4521446	1/4" Flex Tubing 12" Long (Valve to Orifice Fitting)	1	2	3	3		21-Jan-10	
IMPORTANT NOTE: Production switched from 12" Flex Tubing to 6" as of Jan-22-2010. The 12" Flex tubing would not be required as the 6" flex tubing length would be a sufficient length for this installation.									
26B	4525331	1/4 S/S Flex Tubing 6" Long (Valve to Orifice Fitting) Used From 22-January-2010	1	2	3	3	22-Jan-10		
27	4526695	Knob Assembly	1	2	3	3			C
28	G03674-2	Valve Pilot 3/16" 90deg	1	2	3	3			
29	2198102	10mm Valve Connector	1	2	3	3			
30	1086000	1/8"NPT Adapter	1	2	3	3			
34	4522401	Crumb Tray	1						
35A	4522402	Crumb Tray Trim	1						
35B	F554	Rivet .125 in dia SS	2						
36	CK4523334	Crumb Tray Assembly	1						
37	4525512	Griddle Box Heat Shield	1	2	3	3			
38	4523505	Thermocouple 18" (SIT 0290084)	1	2	3	3			C
40	2200212	45" High Tension Wire Lead	1	2	3	3			C
41	G03883R	Thermo Flex Insulating Sleeve (4' required for each electrode)							

* NOT ILLUSTRATED
RECOMMENDED STOCK PARTS



2200700 PILOT R/H

Item	Part #	Description	Qty
R1	2200700	Pilot Right Hand	1
R3	2200702	Pilot Orifice #32 (Natural)	1
	2200703	Pilot Orifice #23 (Propane)	1
	2200709	Pilot Orifice #40 (Manufactured)	1
R4	2200704	3/16" Comperssion Nut	1
R5	2200705	Olive 3/*16" Ball Sleeve	1
R6	2200706	Nut Thermo Retaining	1
R7	2200707	Nut Electro	1
R8	2200708	Electro	1



GFE Raised Griddle Broiler

GARLAND PARTS IDENTIFICATION
GARLAND 60" GFE RESTAURANT RANGE - RAISED GRIDDLE BROILER VIEW SECTION

ITEM	PART #	DESCRIPTION	QTY	Critical
1A	4523068	36" Main Channel - Front	1	
1B	4525530	36" Main Channel - Rear	1	
2	4523069	36" Drip Angle	2	
3	4523087	Grate Support Rail	2	
4	4523194	Rail Support Bracket	1	
5	4524650	Deflector Crumb Tray	1	
7	4523820	RGB Front Channel	1	
8	4524642	RGB Front Griddle Seal	1	
9	4524038	RGB Griddle Assembly	1	
10	4523419	24" Rear Griddle Splash Guard	1	
11	4523829	RGB Back Liner	1	
12	4523826	RGB Side Liner Air Shield	1	
13	4523819	RGB Rack Stop Angle	1	
14	4523810	RGB Side Skin Right	1	
15	4522764	Body Side Lt/Rt	1	
16	4523243	.437 Dia Tubing SIT Valve to Oven Orifice Fitting - Oven on the Left	1	
17	4523142	.187 Dia Tubing SIT Valve to Oven Pilot - Oven on the Left	1	
17A	4527220	SIT Pilot Tube Connection	1	
18	4524797	.437 Dia Tubing SIT Valve to Oven RGB - Oven on the Right	1	
19	4524798	.187 Dia Tubing SIT Valve to Oven Pilot RGB - Oven on the Right	1	
20	4523824	RGB Grease Chute Front	1	
21	4523825	RGB Grease Chute Rear	1	
22	N/A	RGB Grease Chute Assembly	1	
23	4524649	RGB Grease Drawer Assembly	1	
24	4523812	Grease Drawer Handle	1	
25	1091000	Ceramic Radiant RGB	8	
26	4524643	RGB Ceramic Support Lt/Rt	2	
27	4524711	Garland/US Range RGB Valve Panel End Cap Right Long	1	
28	4524712	Garland/US Range RGB Valve Panel End Cap Left	1	
29	4524713	RGB Valve Panel Side Shield	1	
30	4523804	RGB Burner Box Filler Right	1	
31	4523807	RGB FF Valve Panel - GF	1	
32	4515934	2.5" Carriage Bolt S/S	2	
33	4521619	RGB Front Rail Bar	1	
34	3038601	RGB Front Rail Bar Spacer S/S	2	
35	4524638	Garland/US Range RGB Plate Rail	1	
36	4523872	Broiler Box Shield - FF	1	
37	4525511	Burner Support FF - RGB	3	
38	4523801	Pilot Tube Bracket	2	
39	4519967	Light Tube	1	
40	4525332	3/16" S/S Flex Tubing 17" Long	1	
42	1086597	3/16" Pilot Gum Valve	1	
43	4524520	G/U Valve Panel FF End Cap Right	1	
44	4524519	Garland/USR Valve Panel FF End Cap Left	1	
45	4524299	Burner Box Filler - FF		
46	4525015	36" - RGB FF Main Valve Panel	1	
	4525016	36" - RGB FF Main Valve Panel - RC Version		

* NOT ILLUSTRATED

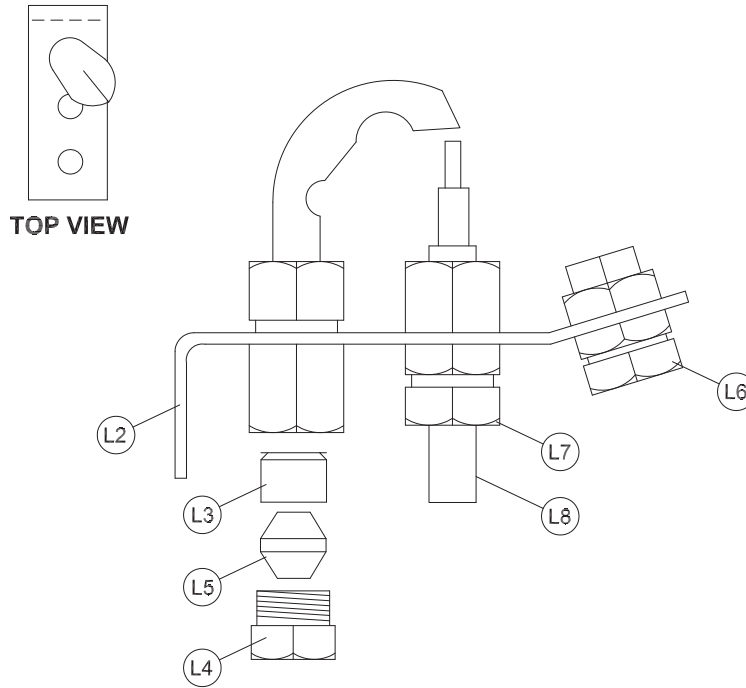
RECOMMENDED STOCK PARTS

GARLAND PARTS IDENTIFICATION
GARLAND 60" GFE RESTAURANT RANGE - RAISED GRIDDLE BROILER VIEW SECTION

ITEM	PART #	DESCRIPTION	QTY	Critical
47	4522402	Crumb Tray Trim S/S	1	
48	4523519	False Trim Bracket	2	
49	4523072	36" Plate Rail	1	
50	CK4523828	RGB Grease Tray Assembly	1	
51A	4523828	RGB Grease Tray	1	
51B	4523832	RGB Tray Trim S/S	1	
51C	F554	Rivet .125 in dia SS	2	
52	4522979	Manifold Assembly - FF, RGB	1	
52A	4527206	RGB STD Manifold Assembly (Australia Unit Only)	1	
53	1028002	RGB Burner Air Shutter	3	
54	1090500	RGB Burner	3	
55	N/A	RGB Burner with Air Shutter Assembly	3	
56	4523822	RGB Burner Rest	1	
57	1090600	RGB Wire Rack	1	
58	4524647	RGB Wire Rack Drip Shield	1	
59	4523746	2.5" Dia Nickel Plated Steel Hole Plug - Storage Base Left	1	
60		2.5" Dia Nickel Plated Steel Hole Plug - Storage Base Right	1	
61	4520720	7/16" Flexible Tube	1	
63	2200203	64" High Tension Wire	1	C
64	G03883R	Thermoflex Insulating Sleeve (sold by the Ft.) 60" required	1	C
67	4523807	RGB FF Valve Panel - GF	1	
68	G03674-2	Valve Pilot 3/16" Angle 90Deg	3	
69	4525677	1/4 NPT x 7/16 Comp. 68-7B	3	
70	4524811	Elbow Assy 1/8" x 1/4NPT	3	
71	2198100	12mm Valve Connector	3	
72	4526111	Sub-Manifold Inlet Tube	3	
73	1095499	Straight Connector	2	
74	4522981	Sub-manifold Assy - FF, RGB	1	
75	4526112	1/8" dia Pilot Tube RGB	1	
76	1086199	Gum Valve 1/8"	1	
77	4519966	Lighter Burner Orifice	1	
78	4525069	RGB - FF Flash Tube Orifice Support	1	
Non CE and CE Export				
79	M8-53	Small Orifice #53 Size Natural Gas (G20)	3	C
	M8-61	Small Orifice #61 Size LPropane Gas (G31)	3	C
	M8-47	Small Orifice #47 Size Natural Gas (G20) Australia	3	C
	M8-61	Small Orifice #61 Size LPropane Gas (G31) Australia	3	C
80	2706804	Brass Valve Extension	3	
81	21045XX	Orifice Fitting	3	
82	4526106P	FF Valve GF Series RGB	3	C
83	4525510	Pilot Bracket - FF, RGB	1	
84	4523505	18" Thermocouple SIT	1	C
85	3043201	Hub - Flame Failure	3	
86	F602	#10-32 UNF x 1/4 Cup PT Set-Screw	3	
87	3043300	Spring Retainer	3	
88	4526696	RGB Knob Assembly GF/GFE Series		C
89	2200700	Pilot Right Hand More Details on Page 33	1	C

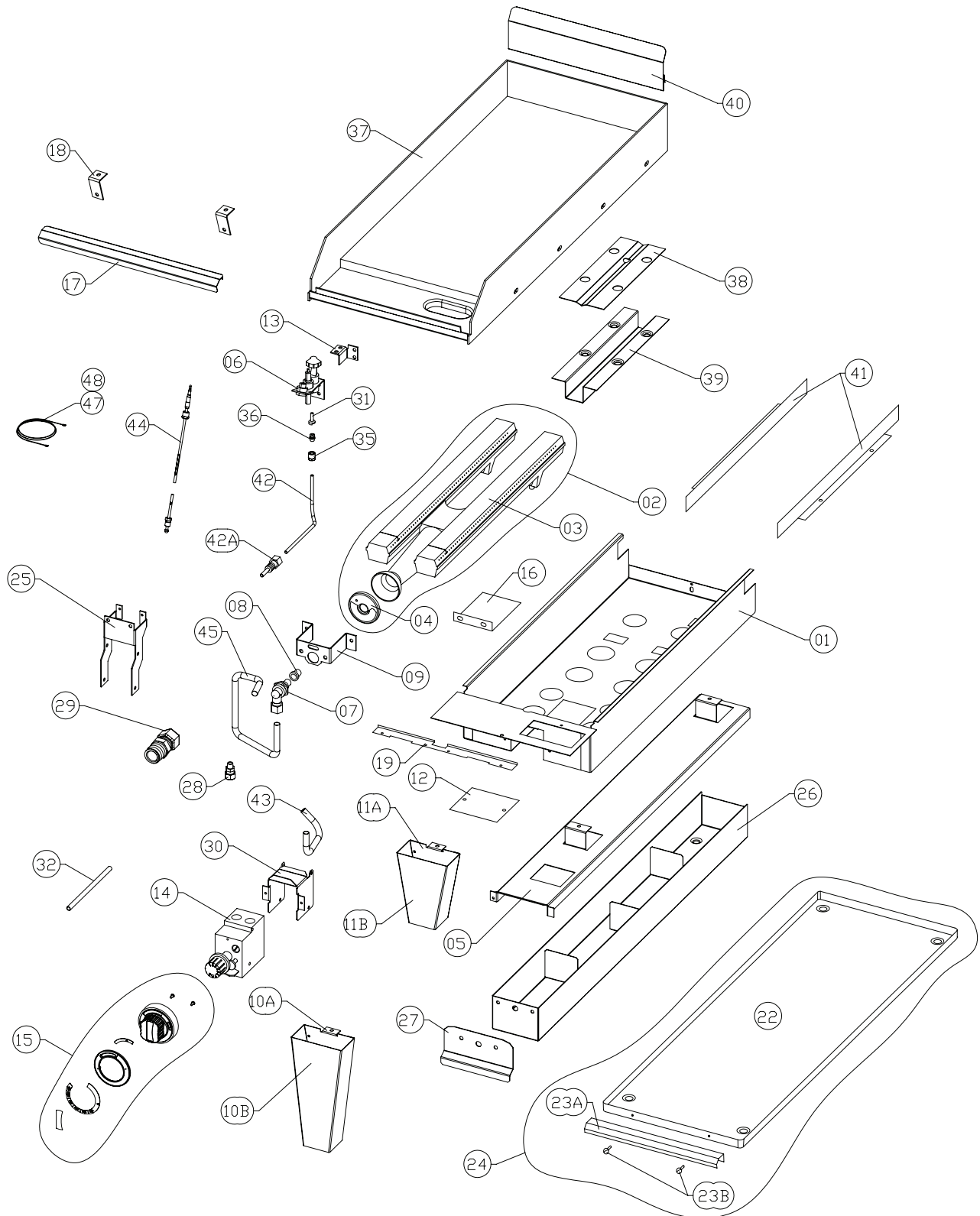
* NOT ILLUSTRATED

RECOMMENDED STOCK PARTS



2200701 PILOT L/H

Item	Part #	Description	Qty
L2	2200701	Pilot Left Hand	1
L3	2200702	Pilot Orifice #32 (Natural)	1
	2200703	Pilot Orifice #23 (Propane)	1
	2200709	Pilot Orifice #40 (Manufactured)	1
L4	2200704	3/16" ComperSSION Nut	1
L5	2200705	Olive 3/*16" Ball Sleeve	1
L6	2200706	Nut Thermo Retaining	1
L7	2200707	Nut Electro	1
L8	2200708	Electro	1



GFE-T-stat Griddle

GARLAND PARTS IDENTIFICATION
GARLAND GFE SERIES RESTAURANT RANGE - THERMOSTAT GRIDDLE TOP VIEW SECTION

ITEM	PART #	DESCRIPTION								Critical	
			12" Griddle	24" Griddle	36" Griddle Right	36" Griddle Left	48" Griddle Right	48" Griddle Left	60" Griddle		
1	4525514	Griddle / Hot Top Burner Box	1	2	3	3	4	4	5		
2	4525463	H-Burner W/Shutter Assembly (Partially Ported)	1	2	3	3	4	4	5		
3	1014901	Cast Iron H-Burner (Partially Ported)	1	2	3	3	4	4	5		
4	1028002	Air Shutter - Hot Top / Griddle	1	2	3	3	4	4	5		
5	4525294	Grease Drawer Shield		1	1	1	2	2	2		
6	2200701	Pilot Lt #0.145.007 More Details on Page 37	1	2	3	3	4	4	5	C	
7	2431900	Orifice Fitting (Orifice Hood Not Included)	1	2	3	3	4	4	5		
Non CE and CE Export											
8	M8-47	Griddle Orifice Small - Natural Gas #47 (G20)	1	2	3	3	4	4	5	C	
	M8-1.3mm	Griddle Orifice Small - Propane Gas #1.3mm (G31)	1	2	3	3	4	4	5	C	
	M8-47	Griddle Orifice Small - Natural Gas #47 (G20) Australia	1	2	3	3	4	4	5	C	
	M8-1.2mm	Griddle Orifice Small - Propane Gas #1.2mm (G31) Australia	1	2	3	3	4	4	5	C	
9	4523212	Thermostat Griddle Orifice Bracket	1	2	3	3	4	4	5		
10A	4524326	12" Chute Rear Plate	1								
10B	4524325	12" Grease Chute Funnel	1								
11A	4523219	Grease Chute Rear		1	1	1	2	2	2		
11B	4523218	Grease Chute Funnel		1	1	1	2	2	2		
12	4524158	Griddle / Hot Box Patch		1	2	2	2	2	3		
13	4525503	Sit Pilot Bracket									
14	4523007	Sit Thermostat Griddle Control - Use 4525399 Thermostat Kit Assembly	1	2	3	3	4	4	5	C	
14A	4525399	Thermostat Griddle Sit Ass'y Includes Items # 14, 16 & 32	1	2	3	3	4	4	5		
15	4526698	T-stat Griddle Knob Assembly Deg F - GF/GFE Series	1	2	3	3	4	4	5	C	
	4526697	T-stat Griddle Knob Assembly Deg C - GF/GFE Series	1	2	3	3	4	4	5	C	
16	4524358	Capillary Shield	1	2	3	3	4	4	5		
17	4524416	False Trim 6" (Only Used on 60" Units W/48" Griddle Left)							1		
	4524414	False Trim 12" (Only Used on 48" Units W/36" Griddle Left & 60" Units W/48 Griddle Left.)							1		
	4523552	False Trim 16"		1					1		
	4523690	False Trim 17" (Only Used on 36" Units W/24" Griddle Right)					1				
	4524412	False Trim 18"					1		1		
	4523528	False Trim 28" (Used on 36" Units W/36" Griddle, 60" Units W/60" Griddle & 60" Unit W/36 Griddle Left)			1	1				1	
	4523516	False Trim 29" Used only for 48"&60" Range Models w/36" Griddles			1	1					
18	4523519	False Trim Bracket		2	2	2	4	6	4		
19	4525512	Griddle Box Heat Shield	1	2	3	3	4	4	5		
22	4522401	Crumb Tray	1								
23A	4522402	Crumb Tray Trim	1								
23B	F554	Rivet .125 in dia SS	2								
24	CK4523334	Crumb Tray Assembly	1								
25	4524546	Vertical Mounting Bracket	1	2	3	3	4	4	5		
26	4523493	Grease Drawer Assembly		1	1	1	2	2	2		
27	4523217	Grease Drawer Handle		1	1	1	2	2	2		
28	4523064	Comp. Fitting 3/8T x 1/8P	1	2	3	3	4	4	5		
29	4525531	Male 3/8"Tx 3/8" P Straight Con.Versa 68-6C	2	4	6	6	8	8	10		
30	4523081	SIT Shield Mount	1	2	3	3	4	4	5		

* NOT ILLUSTRATED

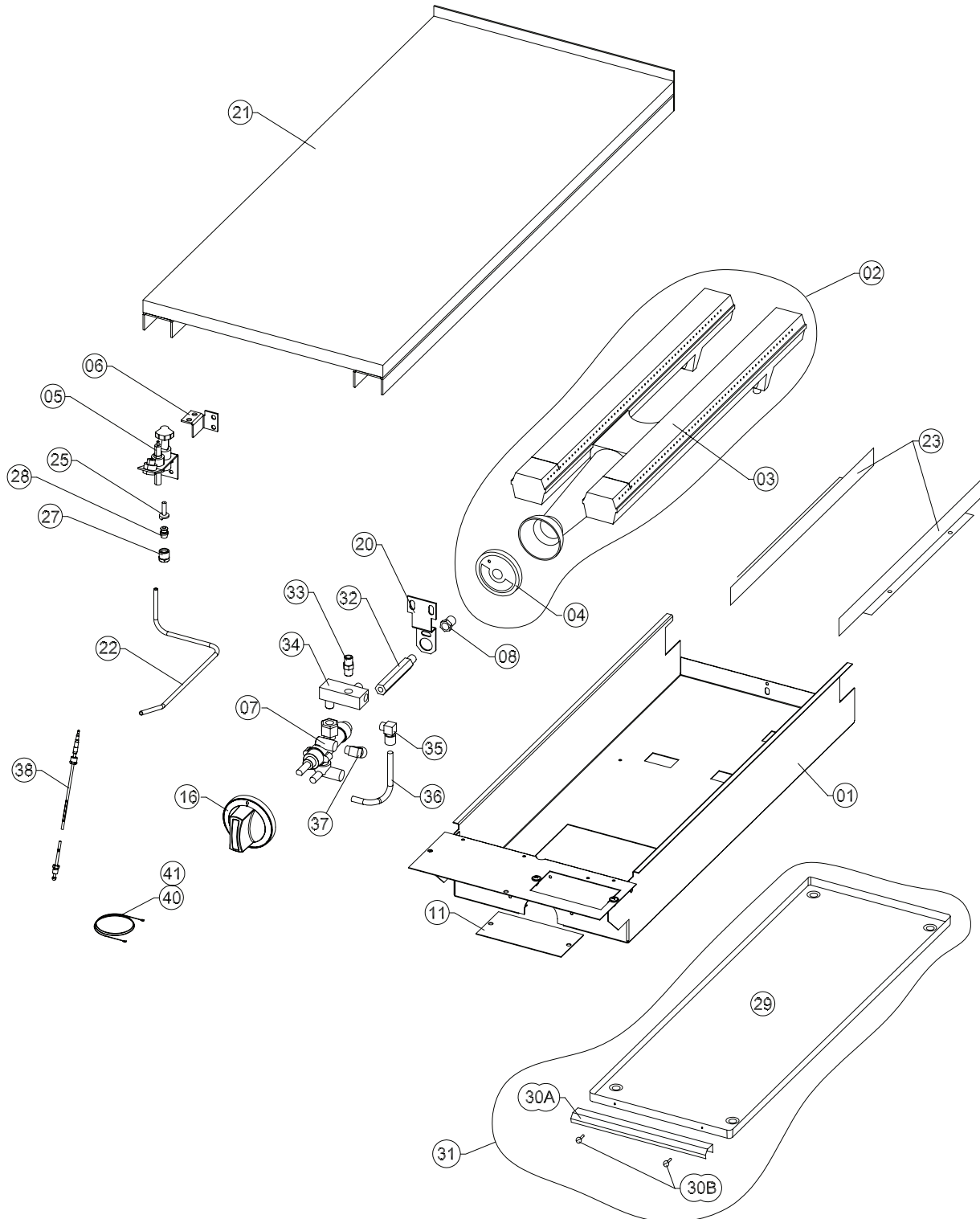
RECOMMENDED STOCK PARTS

GARLAND PARTS IDENTIFICATION
GARLAND GFE SERIES RESTAURANT RANGE - THERMOSTAT GRIDDLE TOP VIEW SECTION

ITEM	PART #	DESCRIPTION								
			12" Griddle	24" Griddle	36" Griddle Right	36" Griddle Left	48" Griddle Right	48" Griddle Left	60" Griddle	Critical
31	2200702	Pilot Orifice #32 Natural Gas	1	2	3	3	4	4	5	C
	2200703	Pilot Orifice #23 Propane Gas	1	2	3	3	4	4	5	C
32	G03883R	Thermoflex Insulating Sleeve 22" Used for Griddle Stat Capillary	1	2	3	3	4	4	5	
35	2200704	3/16" Compression Nut - Oven Pilot	1	2	3	3	4	4	5	
36	2200705	3/16" Ferrule - Oven Pilot	1	2	3	3	4	4	5	
37	4523235	12" Griddle Assembly	1							
	4523234	24" Griddle Assembly		1						
	4523781	24" Griddle Assembly (Fully Grooved)		1						
	4523782	24" Griddle Assembly (Right Grooved)		1						
	4523783	24" Griddle Assembly (Left Grooved)		1						
	4523931	36" Griddle Assembly - Middle Chute (Used only on 48" unit w/36" Griddle on Left)				1				
	4523932	36" Griddle Assembly - Middle Chute - Fully Grooved (Used only on 48" unit w/36" Griddle on Left)				1				
	4523933	36" Griddle Assembly - Middle Chute - Right Grooved (Used only on 48" unit w/36" Griddle on Left)				1				
	4523934	36" Griddle Assembly - Middle Chute - Left Grooved (Used only on 48" unit w/36" Griddle on Left)				1				
	4523236	36" Griddle Assembly			1	1				
	4523784	36" Griddle Assembly (Fully Grooved)			1	1				
	4523785	36" Griddle Assembly (Right Grooved)			1	1				
4523786	36" Griddle Assembly (Left Grooved)			1	1					
38	4523245	Bulb Clamp	1	2	3	3	4	4	5	
39	4523246	Bulb Shield	1	2	3	3	4	4	5	
40	4523418	Rear Griddle Splash Guard - 12"	1							
	4523419	Rear Griddle Splash Guard - 24"		1						
	4523420	Rear Griddle Splash Guard - 36"			1	1				
41	4525515	Burner Side Deflector	2	4	6	6	8	8	10	
42	4525535	3/16 Tubing TG - Sit to Pilot - Flame Failure	1	2	3	3	4	4	5	
42A	4527220	SIT Pilot Tube Connection	1	2	3	3	4	4	5	
43	4523409	3/8 Flex-Tubing - Manifold to Sit Inlet	1	2	3	3	4	4	5	
44	4523505	Thermocouple Sit - 18" Long	1	2	3	3	4	4	5	C
45	4523409	3/8 Flex Tube 10 in - TH Griddle	1	2	3	3	4	4	5	
47	2200212	45" High Tension Wire Lead	1	2	3	3	4	4	5	C
48	G03883R	Thermoflex Insulating Sleeve Note: 4' Feet Required Per Electrode	1	2	3	3	4	4	5	C

* NOT ILLUSTRATED

RECOMMENDED STOCK PARTS

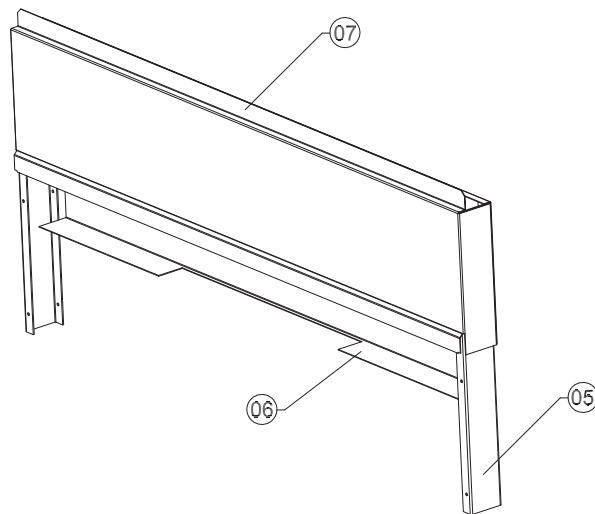
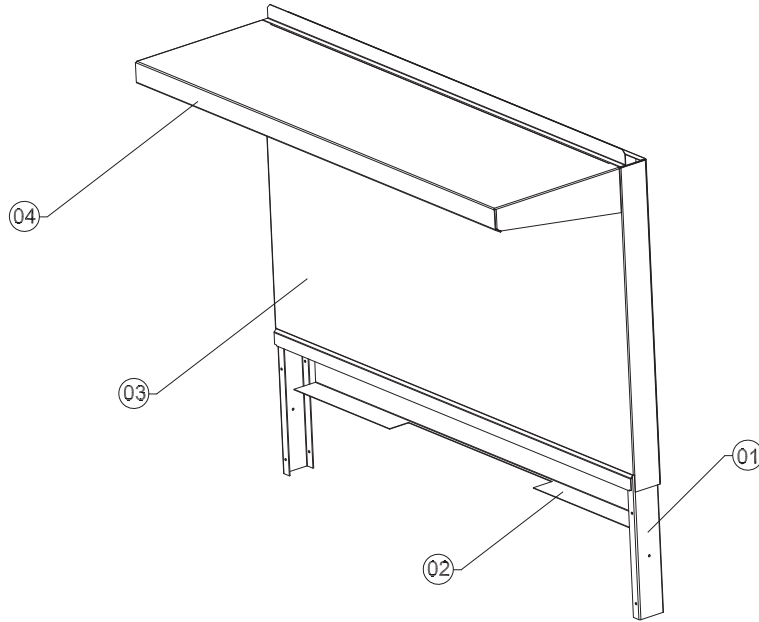


GFE Hot Top Section

GARLAND PARTS IDENTIFICATION
GARLAND GFE SERIES RESTAURANT RANGE - HOT TOP SECTION VIEW

ITEM	PART #	DESCRIPTION	12" Hot Top	24" Hot Top	36" Hot Top	Critical
1	4525514	Hot Top / Griddle Burner Box	1	2	3	
2	4525463	H-Burner W/Shutter Assembly (Partially Ported)	1	2	3	
3	1014901	Cast Iron H-Burner (Partially Ported)	1	2	3	
4	1028002	Air Shutter - Hot Top / Griddle	1	2	3	
5	2200701	Pilot Lt #0.145.007 More Details on Page 33	1	2	3	C
6	4525503	Sit Pilot Bracket - HT/Griddle	1	2	3	C
7	2200194	Flame Failure Valve Assembly	1	2	3	
Non CE and CE Export						
8	M8-46	Hot Top Orifice Natural Gas #46 (G20)	1	2	3	C
	M8-1.3mm	Hot Top Orifice Propane Gas #1.3mm (G31)	1	2	3	C
	M8-47	Hot Top Orifice Small - Natural Gas #47 (G20) Australia	1	2	3	C
	M8-1.2mm	Hot Top Orifice Small - Propane Gas #1.2mm (G31) Australia	1	2	3	C
11	4524158	Griddle / Hot Top Box Patch	1	2	3	
16	4526695	Knob Assembly GF/GFE Series OT/HT	1	2	3	C
20	4523483	HT Valve Extension Support Bracket	1	2	3	
21	4523148	Hot Top 12" Assembly	1	2	3	
22	4525485	FF - Hot Top Pilot Tubing	1	2	3	
23	4525515	Burner Side Deflector	2	4	6	
25	2200702	Pilot Orifice #32 Natural Gas	1	2	3	C
	2200703	Pilot Orifice #23 Propane Gas	1	2	3	C
27	2200704	3/16" Compression Nut - Oven Pilot	1	2	3	
28	2200705	3/16" Ferrule - Oven Pilot	1	2	3	
29	4522401	Crumb Tray	1	2	3	
30A	4522402	Crumb Tray Trim	1	2	3	
30B	F554	Rivet .125 in dia SS	2	4	6	
31	CK4523334	Crumb Tray Assembly	1	2	3	
32	2706802	Valve Extension 3.250"				
33	4524442	1/8 NPT Hex Pipe Nipple Versa No 122-A				
34	4524371	FF Valve Mounting Block				
35	076050-80	Elbow Compression 1/4T x 1/8P #69-4A				
36	4523158	.250" Tubing - FF Valve Inlet				
37	G03674-2	Valve Pilot 3/16" Angle 90deg				
38	4523505	Thermocouple 18" (SIT 0290084)	1	2	3	C
40	2200212	45" High Tension Wire Lead	1	2	3	C
41	G03883R	Thermoflex Insulating Sleeve Note: 4' Feet Required Per Electrode	1	2	3	C

* NOT ILLUSTRATED
RECOMMENDED STOCK PARTS



GFE 36 HighShelf

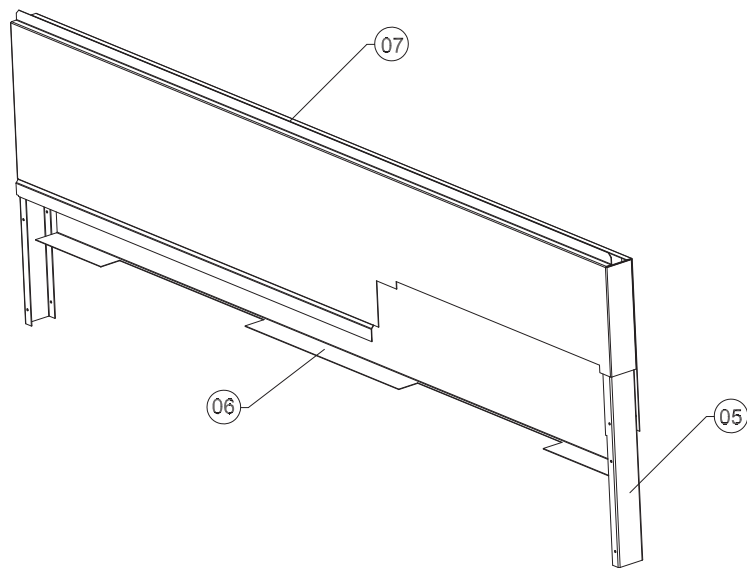
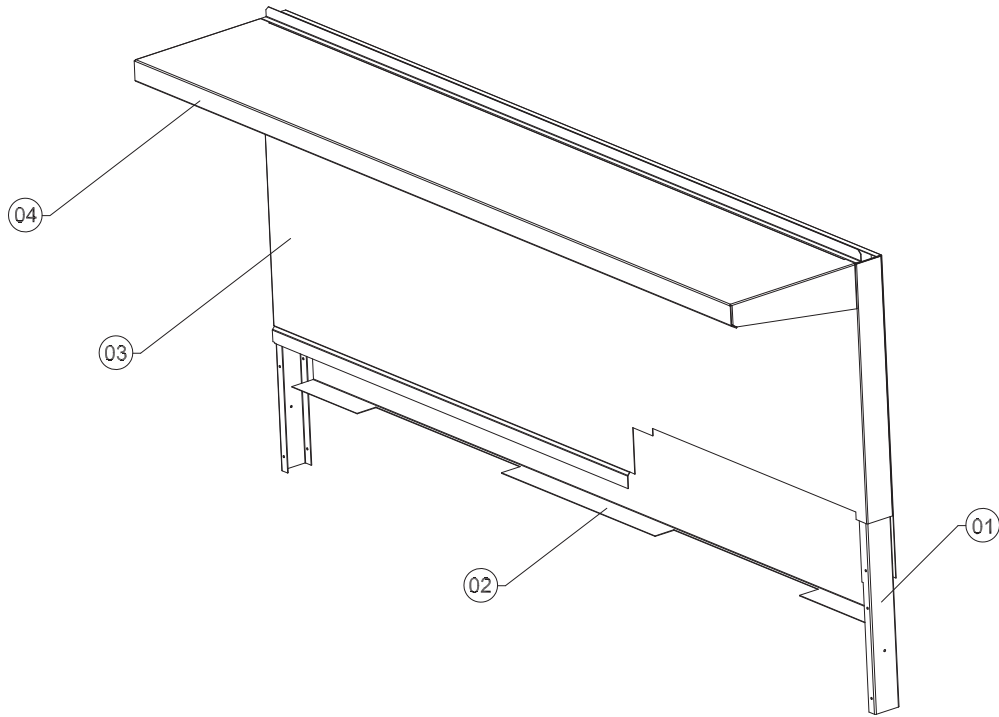
GARLAND PARTS IDENTIFICATION
GARLAND GFE SERIES RESTAURANT RANGE - 36" HIGH SHELF SECTION VIEW

ITEM	PART #	DESCRIPTION	QTY	Critical
1	4523112	High Shelf Upright	1	
2	4523267	24" HS Standard Back Panel	1	
	4524105	24" HS S/S Back Panel		
	4523111	36" HS Standard Back Panel		
	4523112	36" HS S/S Back Panel		
	4523290	48" HS Standard Back Panel		
	4524106	48" HS S/S Back Panel		
	4523268	60" HS Standard Back Panel		
	4524107	60" HS S/S Back Panel		
3	4523289	24" HS Front Panel	1	
	4523110	36" HS Guard Front Panel		
	4523291	48" HS Front Panel		
	4523264	60" HS Std Front Panel		
4	4523293	24" Shelf	1	
	4523113	36" Shelf		
	4523294	48" Shelf		
	4523270	60" Shelf		
5	4524096	Low Profile Back Guard Upright 6"	1	
	4525520	Low Profile Back Guard Upright 9"		
6" Low Profile Backguard - NLA - Review Note Below				
6A	4523882	24" Low Guard Back Panel	1	
	4523891	24" Low Guard Back Panel - SS		
	4523883	36" Low Guard Back Panel		
	4523892	36" Low Guard Back Panel - SS		
	4523884	48" Low Guard Back Panel		
	4523893	48" Low Guard Back Panel - SS		
	4523885	60" Low Guard Back Panel		
	4523894	60" Low Guard Back Panel - SS		
9" Low Profile Backguard				
6B	4525521	24" Low Guard Back Panel	1	
	4525522	24" Low Guard Back Panel - SS		
	4525523	36" Low Guard Back Panel		
	4525524	36" Low Guard Back Panel - SS		
	4525525	48" Low Guard Back Panel		
	4525526	48" Low Guard Back Panel - SS		
	4525527	60" Low Guard Back Panel		
	4525528	60" Low Guard Back Panel - SS		
6" Low Profile Backguard - NLA - Review Note Below				
7A	4523878	24" Low Guard Front Panel	1	
	4523879	36" Low Guard Front Panel		
	4523880	48" Low Guard Front Panel		
	4523881	60" Low Guard Front Panel		
9" Low Profile Backguard				
7B	4525516	24" Low Guard Front Panel	1	
	4525517	36" Low Guard Front Panel		
	4525518	48" Low Guard Front Panel		
	4525519	60" Low Guard Front Panel		

* NOT ILLUSTRATED

RECOMMENDED STOCK PARTS

Note: All 6" Low Profile components are no longer available. Replacement of any 6" Low Profile components would require the complete assembly of the 9" Low Profile Backguard.



GFE 60 HighShelf

GARLAND PARTS IDENTIFICATION
GARLAND RGB RESTAURANT RANGE - 60" HIGH SHELF SECTION VIEW

ITEM	PART #	DESCRIPTION	QTY	Critical
1	4523112	High Shelf Upright	2	
2	4523268	60" HS Back Panel	1	
	4524107	60" HS Back Panel S/S		
3	4523833	60" HS Guard Front Panel RGB	1	
4	4523270	60" Shelf	1	
5	4524097	LP Back Guard Upright RGB	2	
6	4523887	60" Low Guard Back Panel RGB	1	
	4523895	60" Low Guard Back Panel RGB S/S		
7	4523886	60" Low Guard Front Panel RGB	1	

* NOT ILLUSTRATED

RECOMMENDED STOCK PARTS

GARLAND PARTS IDENTIFICATION
GARLAND GFE SERIES RESTAURANT RANGE
WIRING DIAGRAMS, MANUALS & GAS CONVERSION KITS

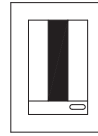
PART #	DESCRIPTION
Wiring Diagrams	
4525255	Wire Diagram - GFE (24",36",48" & 60") 120V / 208V / 230V
4525274	Wire Diagram - GFE 36" / 60" RT Oven - 120V / 208V / 230V
4524980	Wire Diagram - GFE 60-2RC - 230V
4524979	Wire Diagram - GFE - 2RC - 120V
Manuals	
4525587	Installation and Operation Manual – Garland “GF/GFE Sentry” Series Gas Restaurant Ranges
4525482	Backguard Installation Instructions
Conversion Kits To	
NON-CE Models	
4526170	Conversion Kit 24" / 36" GF Series Ranges - To Natural Gas NON-CE Models
4526171	Conversion Kit 48" / 60" GF Series Ranges - To Natural Gas NON-CE Models
4526167	Conversion Kit 24" / 36" GF Series Ranges - To Propane Gas NON-CE Models
4526168	Conversion Kit 48" / 60" GF Series Ranges - To Propane Gas NON-CE Models
CE Models	
4526147	Conversion Kit 24" / 36" GF Series Ranges - To Natural Gas CE Models
4526148	Conversion Kit 48" / 60" GF Series Ranges - To Natural Gas CE Models
4526145	Conversion Kit 24" / 36" GF Series Ranges - To Propane Gas – CE Models
4526146	Conversion Kit 48" / 60" GF Series Ranges - To Propane Gas – CE Models

ALL THE ABOVE PARTS NOT ILLUSTRATED

RECOMMENDED STOCK PARTS



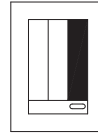
HOT TOP
2388600



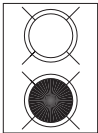
GRIDDLE 36"
CENTER BURNER
2388608



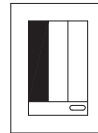
GRIDDLE 12"
2388601



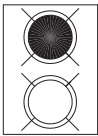
GRIDDLE 36"
RIGHT BURNER
2388609



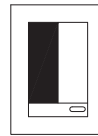
FRONT BURNER
2388602



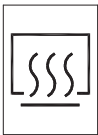
GRIDDLE 36"
LEFT BURNER
2388607



REAR BURNER
2388602



GRIDDLE 24"
LEFT BURNER
2388605



OVEN
2388612



GRIDDLE 24"
RIGHT BURNER
2388606



SPARK IGNITION
2388604

GARLAND PARTS IDENTIFICATION
Revision History

REV. #	PAGE #	ITEM #	NOTE	DATE	
0			Part List Released - GFE Series gas restaurant range	June 4/09	
1	4,8,12,16 20,26,30		New Drawing	Oct 14/09	
	6,10,14,18 22,27,32	68A,85A,70A,85A 80A,17A,42A	New part number added - 4527220		
	6,10,14,18,22,28	63A,80A,65A 80A,75A,52A	New part number added - Manifold Assembly for Australia		
	5,9,13,17,21	5,5,6,5,6	Part number changed for the 6" adjustable Leg S/S - was 4522415, First range manufactured with new Leg is 0905100100177 date 5/11/09.		
	6,11,15,19,23	85,99,94,122,122			Part number changed for the 6" Adjustable Caster (3/4-10 Mount) W/O Brake - was 4523013, First range manufactured with new Leg start date June 08/09.
		86,100,95,123,123			Part number changed for the 6" Adjustable Caster (3/4-10 Mount) With Brake - was 4523014, First range manufactured with new Leg start date June 08/09.
	19	115,116			Notes & dates added
		115A,116A, 117			New part number added - New Air Baffle it's been introduced on Jan 24/09 replacing the old style, the kit (item 118) can be used for ranges manufactured before and after Jan 24/09.
		118 (119)			was item 117 (was item 118)
	23	106,107			Notes & dates added
106A,107A,107B			New part number added - New Air Baffle it's been introduced on Jan 24/09 replacing the old style, the kit (item 107B) can be used for ranges manufactured before and after Jan 24/09.		
31	17		Note changed under part number 4523528		
32	37		Note added under part numbers 4524416,4524414,4523690		
	index		New part numbers added - 4523931, 4523932, 4523933, 4523934.		
2	26-27-28		New model inserted - HI / LOW GRIDDLE TOP VIEW SECTION	Nov 27/09	
	5,9,17,32	6,6,6,89	description changed - was; More Details on Page 29		
	13,21,35,39	7,7,6,5	description changed - was; More Details on Page 33		
	28	18	New description		
	6	58			Description changed - 4524738 was (24" Valve Panel - 12" Thermostat Griddle R/H Side)
					Description changed - 4524739 was (24" Valve Panel - 12" Thermostat Griddle L/H Side)
					Description changed - 4524741 was (24" Valve Panel - 24" Thermostat Griddle)
	10	75			Description changed - 4524422 was (36" Valve Panel - 12" Thermostat Griddle R/H Side FF)
					Description changed - 4524421 was (36" Valve Panel - 12" Thermostat Griddle L/H Side FF)
					Description changed - 4524426 was (36" Valve Panel - 12" Thermostat Griddle Side RC Version - FF)
					New part number - 4524429
	14	60			Description changed - 4525251 was (36" Valve Panel - 24" Thermostat Griddle L/H Side - FF)
					Description changed - 4525252 was (36" Valve Panel - 24" Thermostat Griddle L/H Side RC Version - FF)
					Description changed - 4525253 was (36" Valve Panel - 36" Thermostat Griddle - FF)
					Description changed - 4525254 was (36" Valve Panel - 36" Thermostat Griddle - RC Version - FF)
			Description changed - 4525286 was (60" Valve Panel - 12" Thermostat Griddle R/H Side - FF)		
			Description changed - 4525287 was (60" Valve Panel - 12" Thermostat Griddle R/H Side RC Version - FF)		
			Description changed - 4525288 was (60" Valve Panel - 12" Thermostat Griddle L/H Side - FF)		
			Description changed - 4525289 was (60" Valve Panel - 12" Thermostat Griddle L/H Side RC Version - FF)		
			Description changed - 4525290 was (60" Valve Panel - 24" Thermostat Griddle R/H Side - FF)		
			Description changed - 4525292 was (60" Valve Panel - 24" Thermostat Griddle L/H Side - FF)		
22	91		Description changed - 4525058 was (60" Valve Panel - 36" Thermostat Griddle L/H Side - FF)		
			Description changed - 4525286 was (60" Valve Panel - 12" Thermostat Griddle R/H Side - FF)		
			Description changed - 4525288 was (60" Valve Panel - 12" Thermostat Griddle L/H Side - FF)		
			Description changed - 4525290 was (60" Valve Panel - 24" Thermostat Griddle R/H Side - FF)		
			Description changed - 4525292 was (60" Valve Panel - 24" Thermostat Griddle L/H Side - FF)		
		Description changed - 4525056 was (60" Valve Panel - 36" Thermostat Griddle R/H Side - FF)			
		Description changed - 4525057 was (60" Valve Panel - 36" Thermostat Griddle R/H Side RC Version - FF)			
		Description changed - 4525058 was (60" Valve Panel - 36" Thermostat Griddle L/H Side - FF)			
3	8,9,10,11		New Model - Garland 48" GFE Series Restaurant Range 2 Space Saver Standard Oven View Section	March 16/10	
	[7,15,19],[23],27	[108], (138),143	Part number changed from G03053-1 to 4527834		
	13,17,21,25	42,41,42,42	Part number changed from 4523085 to 4526109		
	32	26	was 4521446 (1/4 Flex 12" Long)		
		26A, 26B	New part numbers added - (From & Up to, date column added), Note added.		
	14,18	75,60	All the RC part number deleted.		
22	75	New part number inserted			
26	91	All the non-RC part numbers deleted			
4	28,30,34,38,42		New drawing	April 16/10	
	29,32,39,43	21,36,24,31	Part number changed from 4523334 to CK4523334		
	29,32,36,39,43	20B,35B,50C, 23B,30B	2x Rivet .125 in dia SS. New part number added		
	29	20A	Item number changed - was 20		
	32	35A	Item number changed - was 35		
		50	Part number added - CK4523828		
	36	51A	Item number changed - was 50		
		51B	Item number changed - was 51		
39	23A	Item number changed - was 23			
43	30A	Item number changed - was 30			

 **Garland**[®]