



***GARLAND MODEL
35-G280
GAS RESTAURANT FRYER MODELS***

PARTS LIST

Toll Free Phone, (US & Canada): (800) 427-6668

Toll Free Fax, (US & Canada): (800) 361-7745

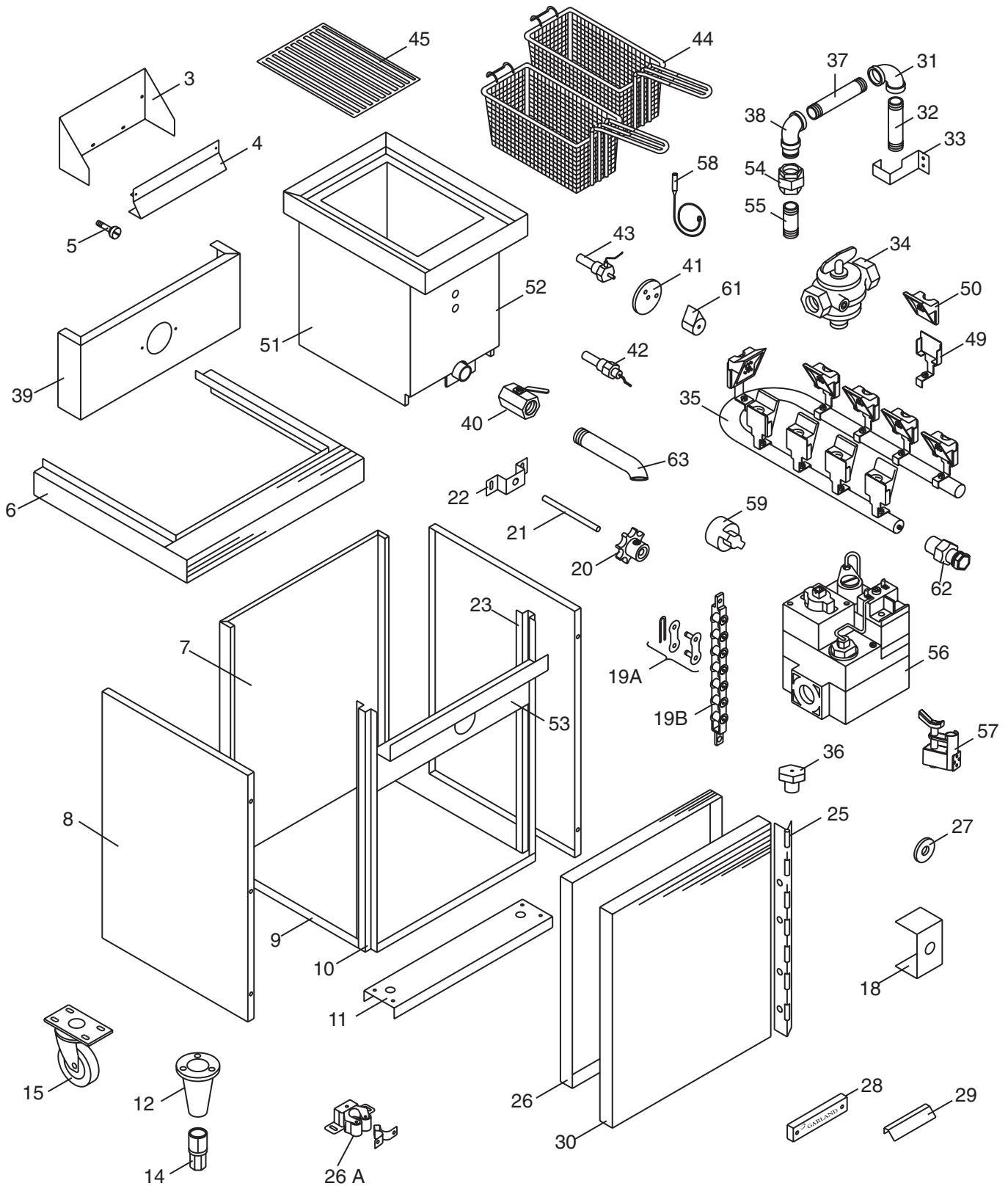
<http://www.garland-group.com>



***GARLAND MODEL
35-G280
GAS RESTAURANT FRYER MODELS***

Contents:

GAS RESTAURANT FRYER MODELS 35-G280Page 4



GARLAND PARTS IDENTIFICATION

35-G280

Gas Restaurant Fryer Models

ITEM	PART #	DESCRIPTION	MODEL
			QUANTITY
			35-G280
1*	1438900	Backguard Back	1
2*	1438801	Backguard Front	1
3	1480600	Fry Pot Back-Splash	1
4	F803-0028	Basket Hanger MJ35	1
5	F809-0171	Basket Hanger Screw	2
6	G03202-01-1	Main Top Assembly	1
7	G03201-1-7	Main back	1
8	G02292-1-8	Main Side Std	2
	G02292-1-9	Main Side S/S	2
9	2063900	Main Bottom	1
10	G02285-1-82	Front Frame Side L/H	1
11	2063800	Bottom Channel	2
12	1027600	Leg Retainer 6" (Std.)	4
	2093800	Leg Retainer 4" (Opt.)	4
13*	F445	Leg Screw #14Bx5/8" Hex Washer HD Zinc	12
14	1150502	Bullet Leg	4
15	1027801	Swivel Caster C/W Brake	2
	1027800	Swivel Cater Less Brake	2
16*	1439001	High Shelf Bracket	2
18	G03212-1-7	Thermostat Dial Plate 35-G280	1
19	G066-5-8	Drive Chain #25, 8-1/4" LONG.	1
	G066-2-8	Link 25CL	1
20	G02426-1	Gear (BOSTON)	1
21	G0964-2-8	Connecting Rod	1
22	G0963-1-7	Connecting Rod Supt	1
23	G02285-1-81	Front Frame Side R/H	1
24*	2171600	Heat Baffle LT (7.750)	1
25	G02309-01-9	Door Hinge Assembly	2
26	G02308-1-8	Door Lining	1
26A	2671600	Door Catch-Double Roller # 603-2G	1
27	G220	Rubber Grommet 1/4 HOLE #220	1
28	1902918	Nameplate - GARLAND 7 3/4	1
29	2533900	Door Handle	1
30	2174800	Door Panel	1
31	G01474-5	90 Deg. Elbow - 3/4 NPT Manufactured	2
32	G01738-6	Nipple 3/4 NPT X 5 3/4	2
33	G03209-1-8	Manifold Hanger	1
34	G01518-1	Valve Swing Type Shut Off Gas	1
35	F823-0106	Burner Manifold	1
36	F826-1353	1.70 MM Orifice (PKG 10)	9
	F826-1354	1.05 MM Orifice (PKG 10)	9
37	G01738-9	Nipple 3/4 NPT x 9 1/2	1
38	G01916-1	Elbow 3/4 To 1/2 NPT Street Male	1
39	G02317-4-9	Switch Panel 35-G280	1
40	F806-6993	Ball Valve	1
41	G03250-1	Dial Plate	1
42	F826-1177	Hi-Limit Kit	1

* NOT ILLUSTRATED

RECOMMENDED STOCK PARTS

GARLAND PARTS IDENTIFICATION

35-G280

Gas Restaurant Fryer Models

ITEM	PART #	DESCRIPTION	MODEL
			QUANTITY
			35-G280
43	F806-0184	Operating Thermostat Fenwall	1
44	F042-1	Twin Basket MJ35	2
	F045-1	Large Single Basket MJ35 (Optional)	1
45	F803-0032	Basket Support (RACK TYPE)	1
	F803-0037	Basket Support (SCREEN TYPE)	1
46*	1474100	Heat Shield	1
47*	2429199	Flue Riser Ext. Assembly	1
48*	G04033-01-8	Flue Riser Assembly	1
49	F910-1465	Deflector Bracket Support (Single)	9
50	F814-0034	Ceramic Target	9
51	F4010	Pot Side Baffle Assy MJ35	2
52	F806-0095	Pot Front Baffle Assy MJ35	1
53	G02286-2-8	Front Frame Top	1
54	G01739-1	Union 1/2 NPT TO 1/2 NPT	1
55	G01477-4	Nipple 1/2" NPT X 2 1/2" Raw	1
56	F826-1579	Gas Valve 1/2" Natural Hnwl from Jan, 2000	1
	F807-2424	Gas Valve 1/2" LP Hnwl from Jan, 2000	1
57	F810-0154N	Pilot Natural (Fixed Orifice)	1
	F810-0426	Pilot Burner Natural (Swivel Orifice)	1
	F806-0528	Pilot Propane	1
58	F810-0162	Thermopile (Thread Screw in) to March 1996	1
59	F810-0109	Knob For Gas Valve	1
60*	F810-0187	Regulator Kit Natural (02514-1) RBSW Only	1
	F817-0098	Unitrol Regulator 8.2 Propane RBSW Only	1
61	G02532-1	Thermostat Knob Fenwal Was F810-0110	1
62*	G02251-1	Pressure Test Spigot	1
63	F813-0188	1 1/4" Drain Pipe	1
	F813-0276	1" Drain Pipe Extension	1
64*	F153	Clip Push On Tinn #C895-020-27	1

* NOT ILLUSTRATED

RECOMMENDED STOCK PARTS

GARLAND PARTS IDENTIFICATION

Revision History

REV. #	PAGE #	ITEM #	NOTE	DATE
1	4,5	26A	Item Mislabeled New Part Added	Jun 04/04

 **GARLAND**[®]