



SALAMANDER GAS INFRA-RED BROILER

PARTS LIST

Toll Free Phone, (US & Canada): (800) 427-6668

Toll Free Fax, (US & Canada): (800) 361-7745

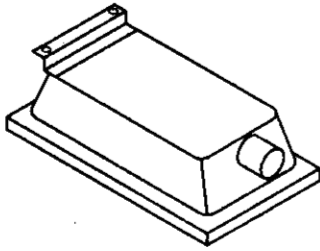
<http://www.garland-group.com>



SALAMANDER GAS INFRA-RED BROILER

Contents:

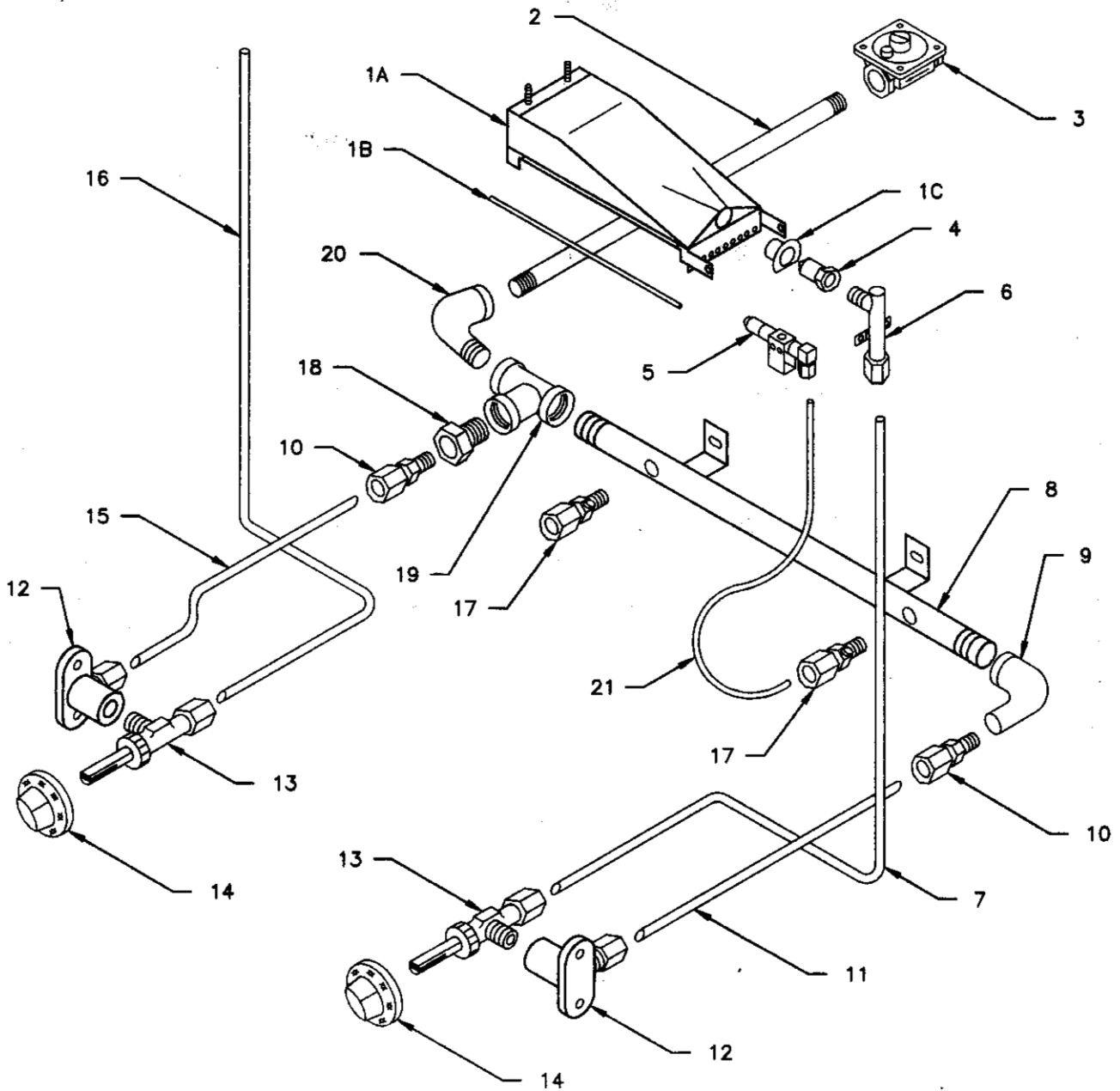
Gas Functional Components	Page 4
Rack Components	Page 6
Exterior Finish	Page 8



PN: 1542800 IR BURNER

NOTE: USED ON UNITS MANUFACTURED BETWEEN
JUNE 1988 AND NOVEMBER 1990.

(SERIAL NUMBERS: 248694 THRU 324037)



PS95-14 REV 0

GARLAND PARTS IDENTIFICATION

IR Gas Salamander

Functional Components

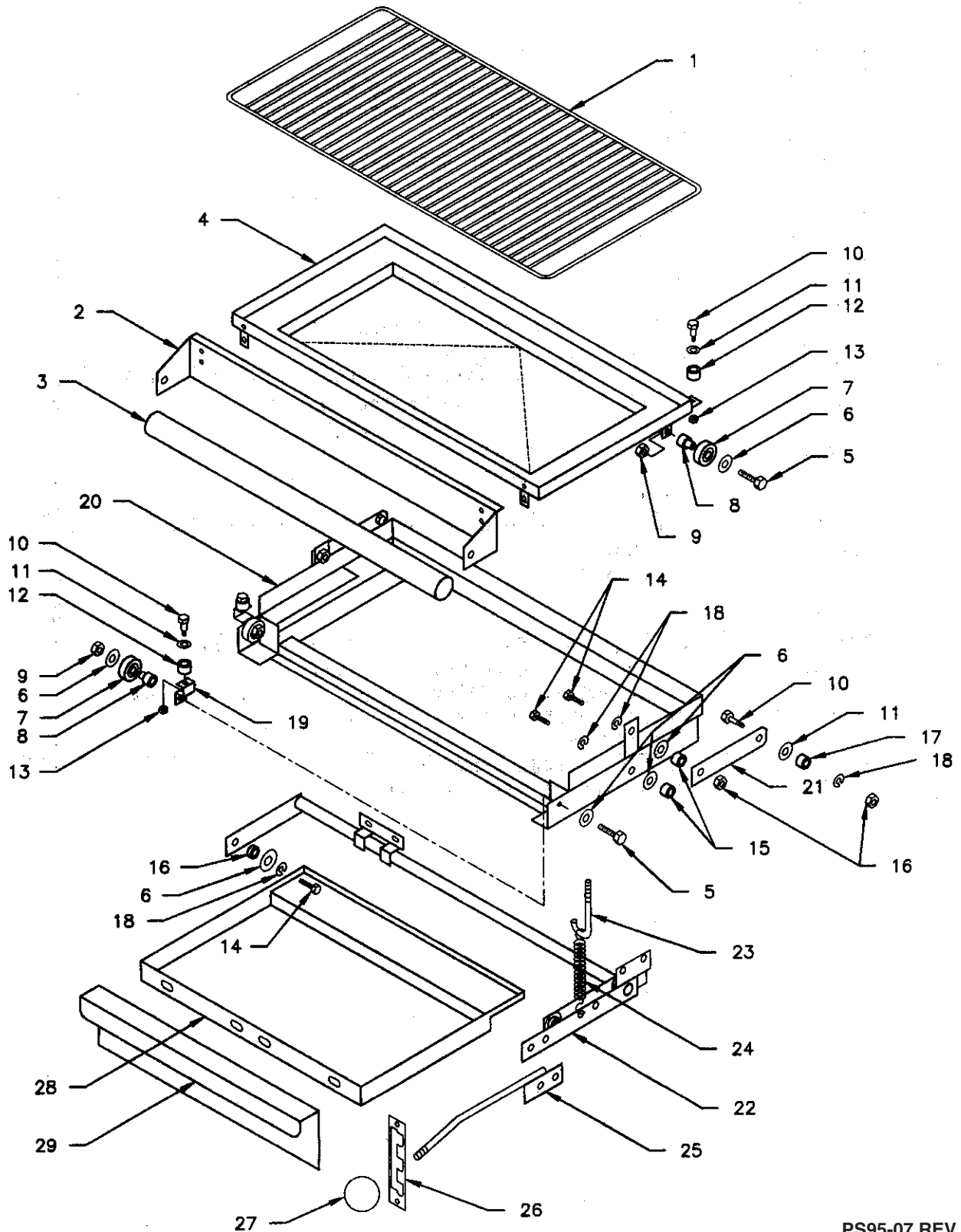
ITEM	PART #	DESCRIPTION	QUANTITY
1A	CK1035197	IR Burner	2
1B	1035102	Protective Prods (Included with CK1035197)	16
1C	1283401	Brass Eyelet (Included with CK1035197)	2
2	1004656	Nipple 1/2 x 12-1/4	1
3	1019003	Pressure Regulator Natural	1
	1019011	Pressure Regulator Propane	1
4	1037744	Burner Orifice Natural	2
	1037753	Burner Orifice Propane	2
5	1327989	Pilot Burner Assembly Natural **	2
	1327988	Pilot Burner Assembly Propane **	2
	1038501	Pilot Only	
	1028250	Pilot Orifice Only Natural	
	1327900	Pilot Bracket**	
6	1037799	Orifice Fitting Assy Natural Includes Orifice (#4)	2
	1037798	Orifice Fitting Assy Propane Includes Orifice (#4)	2
7	1037805	Tubing - Valve to Orifice Right	1
8	1035099	Manifold Assembly	1
9	1026717	1/2 x 1/4 90 Deg. Elbow Reducer	1
10	1034701	Straight Connector	2
11	1037808	Tubing - Manifold to Flanged Elbow - Right	1
12	1037900	Flanged Elbow	2
13	1038300	Hi-Lo Valve	2
14	1314002	Dial	2
	1314102	Insert	2
15	1037807	Tubing - Manifold to Flanged Elbow - Left	1
16	1037806	Tubing - Valve to Orifice - Left	1
17	1086596	Pilot Adjusting Valve 1/8 NPT x 1/4 CC (G6809)	2
18	1038400	Reducer Bushing 1/2 NPT to 1/4	1
19	1027103	Tee 1/2 NPT	1
20	1026733	1/2 NPT Street Elbow 90 Deg	1
21	1028720	Pilot Tubing 1/4" Aluminum	2

** Effective Oct. 23/95 the pilot system was changed,
 These Pilots and not directly Interchangeable without a kit.
 New Parts Numbers Follow:

	1806601	Pilot Burner Assembly Natural	
	1806602	Pilot Burner Assembly Propane	
	1815601	Pilot Bracket R/H	
	1815602	Pilot Bracket L/H	

* NOT ILLUSTRATED

RECOMMENDED STOCK PARTS



PS95-07 REV 0

GARLAND PARTS IDENTIFICATION

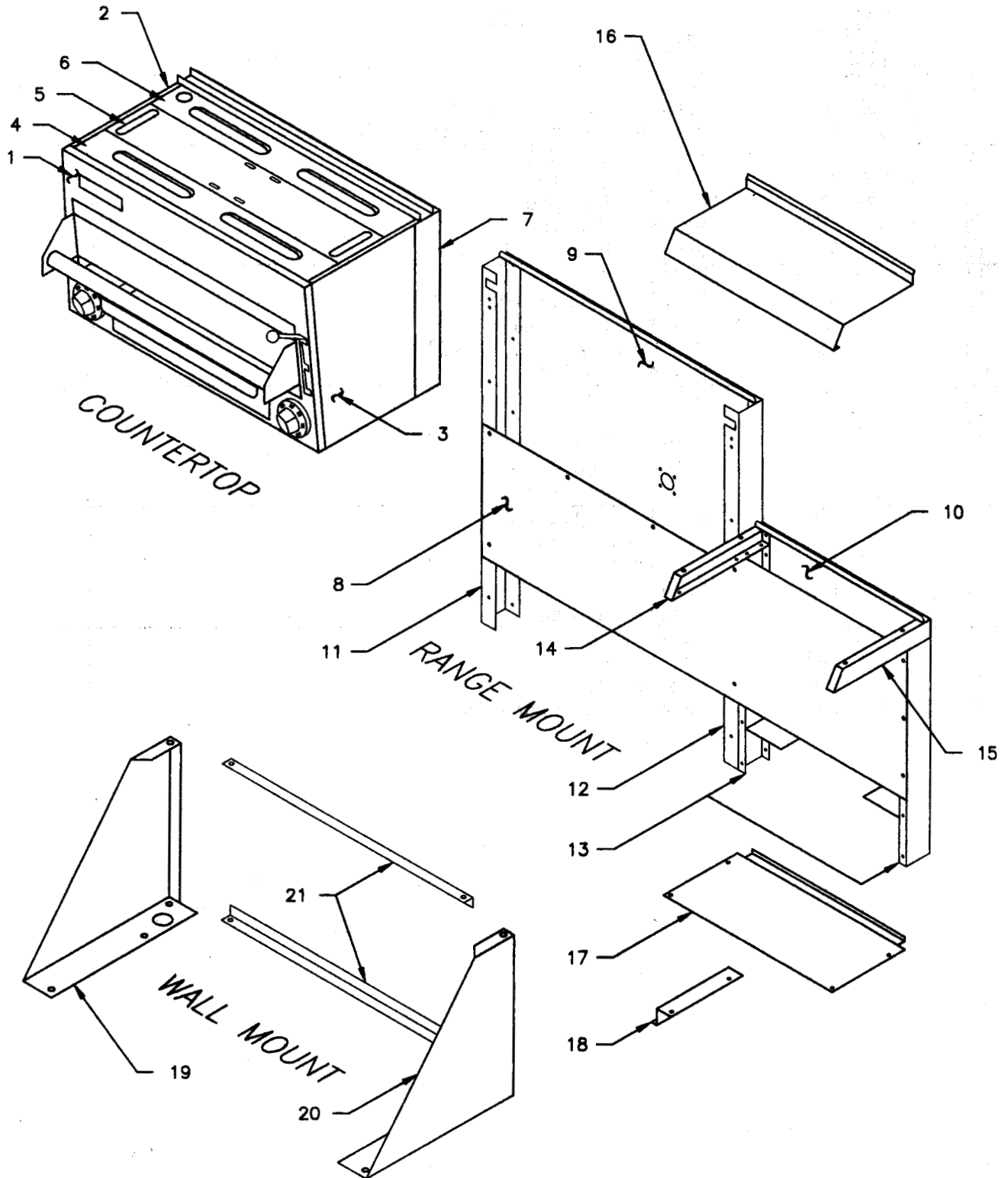
IR Gas Salamander

Rack Components

ITEM	PART #	DESCRIPTION	QUANTITY
1	1347200	Rack	1
2	1038626	Rack Handle Front	1
3	1038623	Rack Handle SS	1
4	1037286	Rack Frame Weld Assembly	1
5	8003416	Hex Head Machine 3/8-16 x 1/2	4
6	8000310	Flat Washer 3/8 x 1-1/16	12
7	1037800	Roller Bearing	4
8	1037802	Bearing Bushing	4
9	8001209	Hex Nut 3/8-16	4
10	1031301	Broiler Rack Roller Bolt	5
11	1031302	Roller Spacer	4
12	1035400	Double Row Bearing	4
13	8001206	Hex Nut 1/4 x 20	4
14	8003406	Hex Head Machine 1/4-20 x 1	4
15	1031300	Roller Bushing	4
16	8001207	Hex Nut 1/3-20 Lock	2
17	1037810	Bushing	2
18	8000203	Lock Washer	4
19	1341902	Roller Support Bracket	2
20	1342596	Rack Frame Assembly	1
21	1342099	Upper Arm Assembly	2
22	1342499	Lever Assembly	1
23	9004701	J Bolt (1/4-20 x 3-1/8)	1
24	1005803	Spring	1
25	1342199	Handle Assembly	1
26	1341800	Face Plate	1
27	1039600	Ball Knob	1
28	2601301	Grease Tray	1
29	2540700	Grease Tray Front SS	1

* NOT ILLUSTRATED

RECOMMENDED STOCK PARTS



PS95-08 REV 0

GARLAND PARTS IDENTIFICATION

IR Gas Salamander

Functional Components

ITEM	PART #	DESCRIPTION	QUANTITY				
			IR34-40	IR36-280	IR48-280	IR60-280	IR72-280
1	1038702	Main Front	1	1	1	1	1
2	1037402	Main Side - Left - SS	1	1	1	1	1
3	1037405	Main Side - Right - SS	1	1	1	1	1
4	1036700	Main Top Front - SS	1	1	1	1	1
5	1036701	Main Top Center - AZ	1	1	1	1	1
6	1036702	Main Top Back - AZ	1	1	1	1	1
7	1036396	Support Bracket - Right - Black	For Counter and Wall Mount Units Only				
	1036397	Support Bracket - Right - SS					
8	1531900	Front Panel 34" SS	1				
	1376007	Front Panel 36" SS		1			
	1386607	Front Panel 48"			1		
	1386613	Front Panel 60" SS (281/285)				1	
	1386611	Front Panel 60" SS (283/282)				1	
	1386609	Front Panel 60" SS (284/287)				1	
9	1384902	Main Back 36" AZ		1		1	1
	1384900	Main Back 48" AZ			1		
	1532000	Main Back 34" AS	1				
10	1390500	Backguard Back 24" AZ				1	
	1390502	Backguard Back 36" AZ					1
11	1501001	Support Bracket - Left - Black		1	1	1	1
	1514401	Veneer - SS		1	1	1	1
	1549099	Support Bracket - Left - Black	1				
	1624401	Veneer - SS	1				
12	1501000	Support Bracket - Right - Black		1	1	1	1
	1514400	Veneer - SS		1	1	1	1
	1549098	Support Bracket - Right - Black	1				
	1624400	Veneer - SS	1				
13	1390101	Upright Right/Left - SS				2	2
14	1364902	Shelf Support - Left SS				1	1
15	1364903	Shelf Support - Right SS				1	1
16	1390200	Hi Shelf Top 23" SS				1	
	1390201	Hi Shelf Top 36" SS					1
17	1500602	Shelf Bottom 24" SS				1	
	1500603	Shelf Bottom 36" SS					1
18	1561801	Shelf Bracket				1	1
19	1038600	Wall Mount Bracket - Left Black	For Wall Mount Units Only				
	1038602	Wall Mount Bracket - Left SS					
20	1038601	Wall Mount Bracket - Right Black					
	1038603	Wall Mount Bracket - Right SS					
21	1038604	Wall Mount Angle Bracket					

* NOT ILLUSTRATED

RECOMMENDED STOCK PARTS

GARLAND PARTS IDENTIFICATION

Revision History

REV. #	PAGE #	ITEM #	NOTE	DATE
2	3		Index Updated Entire Book Reworked	Jan 29/04
3	7	28	Part Number Changed – Was 1037100	Aug 08/07
		29	Part Number Changed – Was 1037101	

NOTES

 ***Garland***[®]