



# INSTALLATION AND OPERATION MANUAL

## GARLAND G-BRL & GF-BRL SERIES BROILERS



Includes Models: G18-BRL, G24-BRL, G30-BRL, G36-BRL, G48-BRL, GF18-BRL, GF24-BRL, GF30-BRL and GF36-BRL



Only GF Series Broilers are CE Approved

Français .....	Page 13
Español .....	Página 27

<p><b>FOR YOUR SAFETY:</b> DO NOT STORE OR USE GASOLINE OR OTHER FLAMMABLE VAPORS OR LIQUIDS IN THE VICINITY OF THIS OR ANY OTHER APPLIANCE</p>
<p><b>WARNING:</b> IMPROPER INSTALLATION, ADJUSTMENT, ALTERATION, SERVICE OR MAINTENANCE CAN CAUSE PROPERTY DAMAGE, INJURY, OR DEATH. READ THE INSTALLATION, OPERATING AND MAINTENANCE INSTRUCTIONS THOROUGHLY BEFORE INSTALLING OR SERVICING THIS EQUIPMENT</p>

PLEASE READ ALL SECTIONS OF THIS MANUAL AND RETAIN FOR FUTURE REFERENCE.

THIS PRODUCT HAS BEEN CERTIFIED AS COMMERCIAL COOKING EQUIPMENT AND MUST BE INSTALLED BY PROFESSIONAL PERSONNEL AS SPECIFIED.

IN THE COMMONWEALTH OF MASSACHUSETTS THIS PRODUCT MUST BE INSTALLED BY A LICENSED PLUMBER OR GAS FITTER.

For Your Safety:  
Post in a prominent location, instructions to be followed in the event the user smells gas. This information shall be obtained by consulting your local gas supplier.

Users are cautioned that maintenance and repairs must be performed by a Garland authorized service agent using genuine Garland replacement parts. Garland will have no obligation with respect to any product that has been improperly installed, adjusted, operated or not maintained in accordance with national and local codes or installation instructions provided with the product, or any product that has its serial number defaced, obliterated or removed, or which has been modified or repaired using unauthorized parts or by unauthorized service agents.

For a list of authorized service agents, please refer to the Garland web site at <http://www.garland-group.com>.

The information contained herein, (including design and parts specifications), may be superseded and is subject to change without notice.

GARLAND COMMERCIAL INDUSTRIES, LLC  
185 East South Street  
Freeland, Pennsylvania 18224  
Phone: (570) 636-1000  
Fax: (570) 636-3903

GARLAND COMMERCIAL RANGES, LTD.  
1177 Kamato Road, Mississauga, Ontario L4W 1X4  
CANADA  
Phone: 905-624-0260  
Fax: 905-624-5669

## **IMPORTANT INFORMATION**

**WARNING:**

**This product contains chemicals known to the State of California to cause cancer and/or birth defects or other reproductive harm. Installation and servicing of this product could expose you to airborne particles of glass wool/ceramic fibers. Inhalation of airborne particles of glass wool/ceramic fibers is known to the State of California to cause cancer. Operation of this product could expose you to carbon monoxide if not adjusted properly. Inhalation of carbon monoxide is known to the State of California to cause birth defects or other reproductive harm.**

**Keep appliance area free and clear of combustibles.**

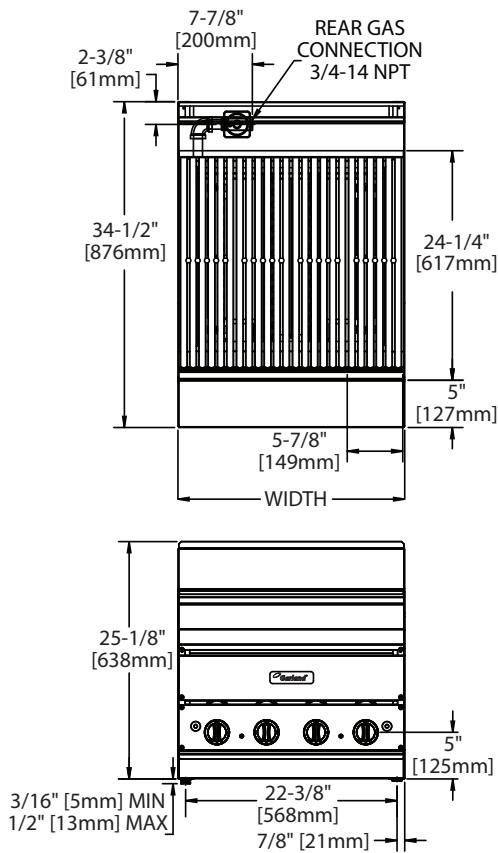
# TABLE OF CONTENTS

<b>IMPORTANT INFORMATION</b> .....	<b>2</b>
<b>DIMENSIONS AND SPECIFICATIONS – BROILERS</b> .....	<b>4</b>
North America & General International Markets.....	4
Australian Market .....	4
CE Approved Models .....	5
Pressure Settings/Injector Size .....	5
Heat Input .....	5
Gas Inlet Size.....	5
GF Series CE Approved Gas Categories .....	5
Approximate Total Input Ratings With All Burners <b>Operating At LOW</b> .....	5
<b>DIMENSIONS AND SPECIFICATIONS – STANDS</b> .....	<b>6</b>
<b>PRE INSTALLATION</b> .....	<b>7</b>
Unpacking.....	7
Safety Information .....	7
<b>INSTALLATION</b> .....	<b>7</b>
Rating Plate Location.....	7
Statutory Regulations .....	7
Australia Specific Regulation .....	7
Gas Supply .....	8
Gas Connections.....	8
Counter Line Installations .....	8
Location .....	8
Sanitary Counter Top Seal.....	8
Leg Installation.....	9
Assembly Of Counter Stand .....	9
Installation for Units Equipped with Casters.....	10
Cabinet Bases .....	10
Assembly Of Broiler .....	10
Ventilation.....	10
<b>OPERATION</b> .....	<b>11</b>
Grid Rack Seasoning Instructions .....	11
Lighting Instructions .....	11
<b>CLEANING AND MAINTENANCE</b> .....	<b>12</b>
Cleaning Care of the Grid Racks.....	12
Exterior Finish Cleaning .....	12

# DIMENSIONS AND SPECIFICATIONS – BROILERS

Product Dimensions and Shipping Specializations						North American and CE <sup>1</sup> Inputs		
Model	Width	Height W/O Legs	Depth	Shipping		No of Burners	Total Input Ratings	
				lbs/kg	Cu Ft		BTU/Hr	kW/Hr
G18-BRL	18" (457mm)	25-1/8" (636mm)	34-1/2" (876mm)	190/86	21	3	45,000	13.2
G24-BRL	24" (610mm)	25-1/8" (636mm)	34-1/2" (876mm)	240/109	21	4	60,000	17.6
G30-BRL	30" (762mm)	25-1/8" (636mm)	34-1/2" (876mm)	290/131	29.5	5	75,000	22
G36-BRL	36" (914mm)	25-1/8" (636mm)	34-1/2" (876mm)	340/154	29.5	6	90,000	26.4
G48-BRL	48" (1219mm)	25-1/8" (636mm)	34-1/2" (876mm)	375/170	37	8	120,000	35.2
<sup>1</sup> GF18-BRL	18" (457mm)	25-1/8" (636mm)	34-1/2" (876mm)	190/86	21	3	45,000	12.0
<sup>1</sup> GF24-BRL	24" (610mm)	25-1/8" (636mm)	34-1/2" (876mm)	240/109	21	4	60,000	16.0
<sup>1</sup> GF30-BRL	30" (762mm)	25-1/8" (636mm)	34-1/2" (876mm)	290/131	29.5	5	75,000	20.0
<sup>1</sup> GF36-BRL	36" (914mm)	25-1/8" (636mm)	34-1/2" (876mm)	340/154	29.5	6	90,000	24.0

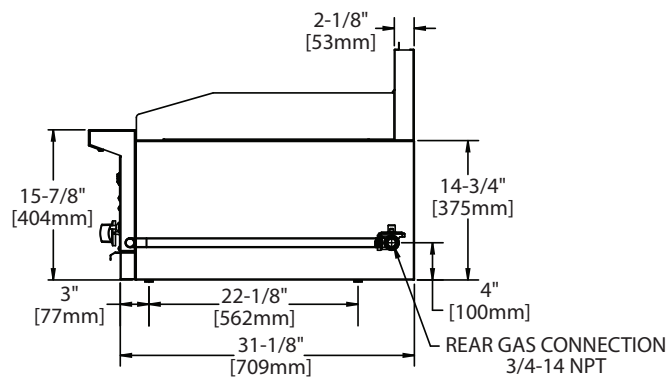
**<sup>1</sup>NOTE: Only GF series broilers with flame failure features are CE approved.**



## G-BRL Models

For use in non-combustible locations only.

Installation Clearances From Non Combustible Materials (all models)	
Rear	Sides
0"	0"



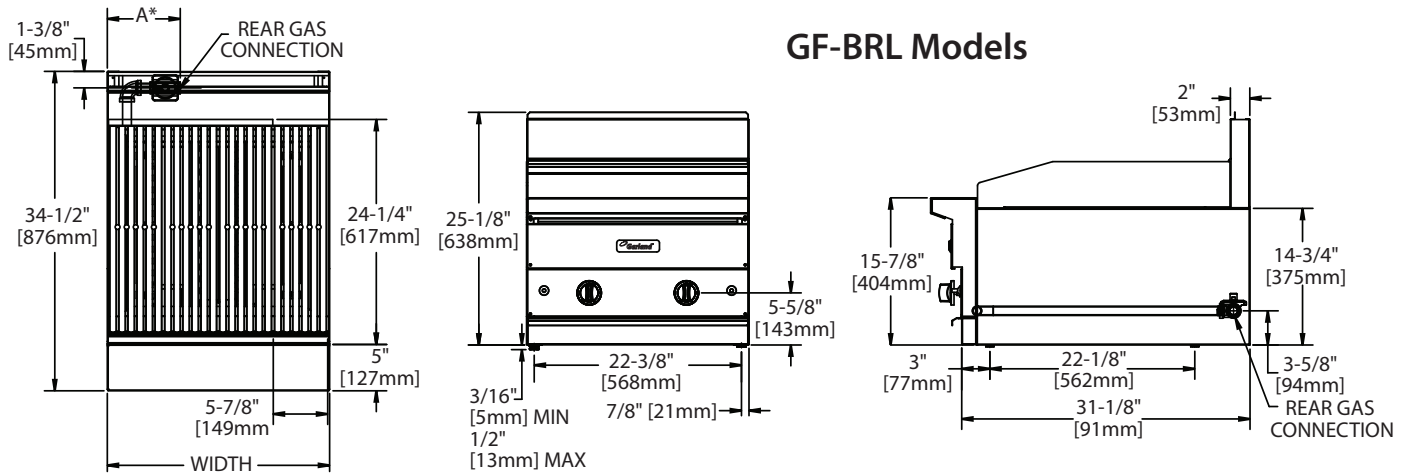
## North America & General International Markets

Operating Manifold Pressure			
Natural (G20)	4.5" wc (11.2mbar)	LPG (G31)	10" wc (24.9mbar)

## Australian Market

Operating Manifold Pressure			
Natural 4" wc (1.0kPa)		LPG 10" wc (2.49 kPa)	
Input Per Burner			
MJ/H	Injector Dia.	MJ/H	Injector Dia.
15.8	1.9 mm	15.8	1.1 mm

# DIMENSIONS AND SPECIFICATIONS – BROILERS continued



\*For units supplied with regulator dimension 'A' is 7-7/8" (200mm) with a 3/4" – 14 NPT connection. European (CE) units are not supplied with regulator, but include with an adaptor 3/4" – 14 BSPT.

## CE Approved Models

### Pressure Settings/Injector Size

MODEL	2nd Family, Groups H, L & E						3rd Family, Group 3P			
	Setting Pressure				Injector Size		Setting Pressure		Injector Size	
	G20 @ 20 mbar inlet		G25 @ 25 mbar inlet				G31 @ 37/50 mbar inlet			
	mbar	"WC	mbar	"WC	DMS	mm	mbar	"WC	DMS	mm
GF18-BRL	11.2	4.5	14.9	6	50	1.78	24.9	10	58	1.07
GF24-BRL	11.2	4.5	14.9	6	50	1.78	24.9	10	58	1.07
GF30-BRL	11.2	4.5	14.9	6	50	1.78	24.9	10	58	1.07
GF36-BRL	11.2	4.5	14.9	6	50	1.78	24.9	10	58	1.07

### Heat Input

MODEL	2nd Family, Groups H & E		2nd Family, Group L		3rd Family, Group 3P		# Of Burners
	(G20 @ 20/25 mbar) NAT		(G25 @ 25 mbar) NAT		(G31 @ 37/50 mbar) PROPANE		
	Per Burner / Total		Per Burner / Total		Per Burner / Total		
	kW	BTU/HR	kW	BTU/HR	kW	BTU/HR	
GF18-BRL	4.0 / 12.0	15,000 / 45,000	4.0 / 12.0	15,000 / 45,000	4.0 / 12.0	15,000 / 45,000	3
GF24-BRL	4.0 / 16.0	15,000 / 60,000	4.0 / 16.0	15,000 / 60,000	4.0 / 16.0	15,000 / 60,000	4
GF30-BRL	4.0 / 20.0	15,000 / 75,000	4.0 / 20.0	15,000 / 75,000	4.0 / 20.0	15,000 / 75,000	5
GF36-BRL	4.0 / 24.0	15,000 / 90,000	4.0 / 24.0	15,000 / 90,000	4.0 / 24.0	15,000 / 90,000	6

### Gas Inlet Size

Model Width	Connection	Connection CE Models (ISO7-1)
23-5/8" (600mm) & 35-1/2" (900mm)	3/4" NPT Rear Gas Connection	3/4" (19.1mm) BSPT

### GF Series CE Approved Gas Categories

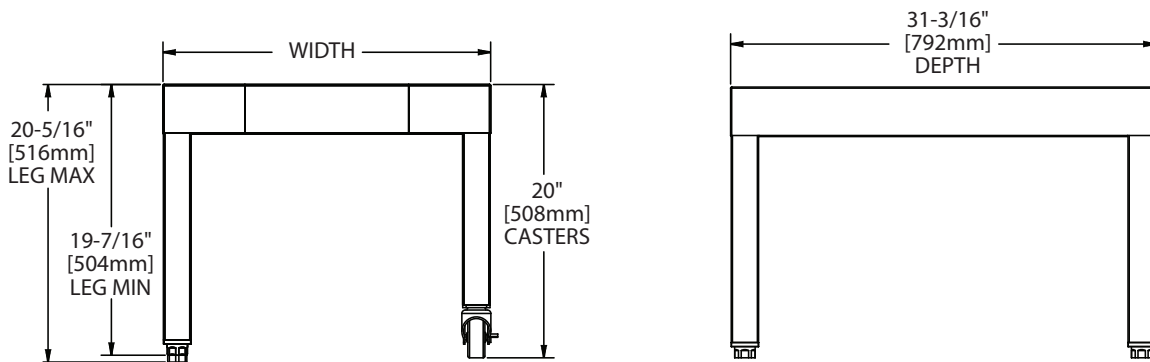
Country	Gas Category	Gas Type	Pressure (mbar)
GB, IE, ES, PT, GR	I2H	G20	20
BE, FR	I2E+	G20	20/25
DE	I2E	G20	20
GB, IE, ES, PT, BE, FR	I3P	G31	37
GB, FR, NL, DE, ES	I3P	G31	50
NL	I3P	G31	30

### Approximate Total Input Ratings With All Burners Operating At Low

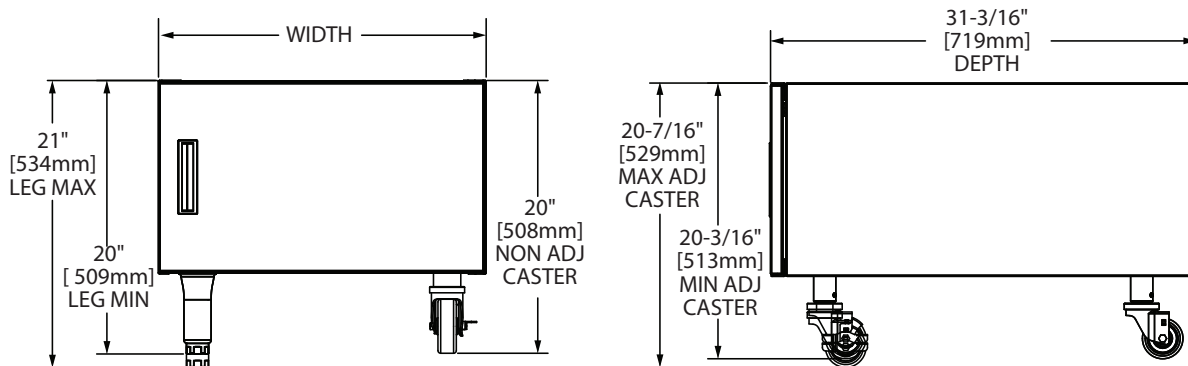
	kW	BTU/h
GF18-BRL	4.5	16,875
GF24-BRL	6.0	22,500
GF30-BRL	7.5	28,125
GF36-BRL	9.0	33,750

# DIMENSIONS AND SPECIFICATIONS – STANDS

Model Number	Description	Use With Broiler Model	Cu. Ft.	Ship Weight Lb/ Kg
G18-BRL-STD	Floor Stand 18" (457mm) Wide	G18-BRL & GF18-BRL	4.5	30/14
G24-BRL-STD	Floor Stand 24" (610mm) Wide	G24-BRL & GF24-BRL	4.5	40/18
G30-BRL-STD	Floor Stand 30" (762mm) Wide	G30-BRL & GF30-BRL	4.5	50/23
G36-BRL-STD	Floor Stand 36" (914mm) Wide	G36-BRL & GF36-BRL	4.5	55/25
G48-BRL-STD	Floor Stand 48" (1219mm) Wide	G48-BRL	5.5	58/26
G18-BRL-CAB	Closed Cabinet 18" (457mm) Wide	G18-BRL & GF18-BRL	21	40/18
G24-BRL-CAB	Closed Cabinet 24" (610mm) Wide	G24-BRL & GF24-BRL	21	45/20
G30-BRL-CAB	Closed Cabinet 30" (762mm) Wide	G30-BRL & GF30-BRL	29.5	50/23
G36-BRL-CAB	Closed Cabinet 36" (914mm) Wide	G36-BRL & GF36-BRL	29.5	60/27
G48-BRL-CAB	Closed Cabinet 48" (1219mm) Wide	G48-BRL	37	65/29.5



G24-BRL-STD



G24-BRL-CAB

- Many local codes exist, and it is the responsibility of the Owner and the Installer to comply with those codes.
- Garland reserves the right to change or improve product specifications without notification.
- Garland products are not approved or authorized for home or residential use, but are intended for commercial applications only. Garland will not provide service, warranty, maintenance or support of any kind other than in commercial applications.

# PRE INSTALLATION

## Unpacking

GARLAND strongly recommends this unit be inspected for possible freight damage while carrier driver is on site.

1. Remove carton. In case of damage, all packing materials must be retained for carrier inspection.
2. Carefully inspect the broiler for any physical signs of damage, such as scratches, dents and missing knobs.
3. With carrier driver on your site, note damage on freight bill. Call carrier for inspection.

If you are checking equipment after carrier has departed, you have approximately fifteen (15) days to request a freight damage inspection be made by the carrier's agent.

If concealed damage claim is filed with carrier beyond 15 days, GARLAND cannot be held responsible and carrier will make it incumbent upon the consignee to offer reasonable evidence that the carrier was at fault.

## Safety Information

**WARNING:** Accessible parts may become hot during use. Young children should be kept away.

This appliance is for professional use and should only be used by qualified personnel.

This appliance is not intended for use by persons (including children) with reduced physical, sensory or mental capabilities, or lack of experience and knowledge, unless they have been given supervision or instruction concerning use of the appliance by a person responsible for their safety.

# INSTALLATION

When corresponding with the factory or your local authorized factory service center regarding service problems or replacement parts, be sure to refer to the particular unit by the correct model number (including the prefix and suffix letters and numbers) and the warranty serial number. The rating plate affixed to the unit contains this information.

We suggest installation, maintenance, and repairs should be performed by your local authorized service agency listed in your information manual pamphlet.

In the event you have any questions concerning the installation, use, care or service of the product, write or call our Product Service Department.

This product must be installed by professional personnel as specified. Garland/U.S. Range products are not approved or authorized for home or residential use, but are intended for commercial applications only. Garland / U.S. Range will not provide service, warranty, maintenance, or support of any kind other than in commercial applications.

## Rating Plate Location

The rating plate is located by removing the grease tray, it is located on left hand side grease slide support.

## Statutory Regulations

Installation must be carried out by a competent person and in accordance with the relevant regulations, codes of practice and the related publications of the country of destination.

In European countries, installation must be carried out by a competent person and in accordance with the relevant regulations, codes of practice and the related publications of the country of destination.

In The United States of America, the installation must conform to the National Fuel Gas Code ANSI Z223.1, or latest edition, NFPA No.54 - latest edition/or local code to assure safe and efficient operation. In Canada, the installation must comply with CSA B149.1 and local codes.

## Australia Specific Regulation

This appliance must be installed in accordance with the manufacturer's instructions, local gas fitting regulations and requirements of AS 5601/AG 601 installation code. All burner adjustments and setting should be made by a qualified gas technician.

# INSTALLATION continued

## Gas Supply

- A. The type of gas for which the unit is equipped is stamped on the rating plate. Connect a unit stamped "NAT" only to natural gas; connect those stamped "PRO" only to propane gas.
- B. If it is a new installation, have gas authorities check meter size and piping to assure that the unit is supplied with sufficient amount of gas pressure required to operate the unit.
- C. If it is additional equipment or replacement, have a qualified gas technician check the gas pressure to make certain that existing gas facilities (meter, piping, etc.) will deliver the BTU'S of gas required at the unit with no more than 1/2" water column pressure drop. When checking pressure, be certain that other equipment on the same gas line is on at full rate.

NOTE: When checking pressure, be sure that all other equipment on the same gas line is on. If the broiler has been supplied with a regulator it has been preset to match specifications on the unit's rating plate. All units require regulators and should be adjusted accordingly to manufacturer specifications.

- D. The appliance and its individual shut off (supplied by others) must be disconnected from the gas supply piping system during any pressure testing of that system at pressures in excess of 1/2 PSI (3.45 KPa).
- E. Gas supply connection is made in back lower left hand corner of unit. A readily accessible approved type of hand valve should be installed on each supply line. Test for leaks – Do Not Use An Open Flame.
- F. A pressure tap plug is supplied with the units and it is installed on the manifold. The valve panel must be removed to use the pressure tap. The gas pressure must be checked when the unit is installed, to insure that the unit gas pressure is the same as specified on the rating plate. If necessary, pressure adjustments must be made at the pressure regulator.
- G. If it is a completely new installation, have gas lines, meter size piping and piping installed and checked by a qualified gas technician.
- H. Make certain that the new piping, joints, and connections have been made in a clean manner and have been purged, so that the piping compound, chips, etc., will not clog pilots, valves, and/or controls. Use pipe joint sealant that is resistant to liquefied petroleum gas.

WARNING: Check gas connections for leaks. Use a soap solution or similar means. **Do Not Use An Open Flame!**

## Gas Connections

All broilers have a rear gas 3/4" NPT or 3/4"-14NPT connections. CE models have 3/4"-14 BSPT thread adapter.

NOTE: Adequate clearance must be provided for servicing and proper operation.

## Counter Line Installations

### Location

Unpack units carefully and provide the necessary space on counter or back bar. All units must be installed in non-combustible locations.

- A. Location of the unit should be in an area where make-up air is available to support proper combustion. Make-up air should be supplied in such a manner as to pass through the front of the unit. Do not obstruct front-air flow.
- B. In accordance with standard gas appliance operation, the unit should be located under a ventilation hood of applicable size and capacity. See ventilation instructions.

## Sanitary Counter Top Seal

When the broiler is installed on a counter top, the National Sanitation Foundation, (NSF), recommends that it be sealed in accordance with NSF standards per the following instructions:

1. Unit should be located on a non-combustible, level counter top surface.
2. Thoroughly clean the bottom perimeter of the broiler and the counter top around the bottom of the broiler.
3. Apply a generous bead of silicone sealant around the entire outside perimeter of the broiler bottom.
4. The broiler can be secured to the counter top by inserting the 3/8-inch diameter crating bolts through the counter from the bottom, (via predrilled 1/2" diameter holes), and threading them into the nut inserts in the bottom of the unit.
5. Smooth the silicone sealant with a finger or tool to provide a cover seal.

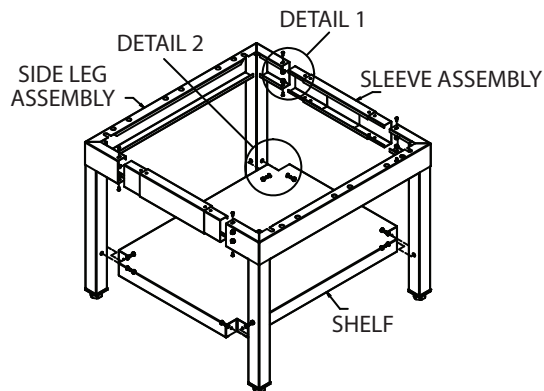


# INSTALLATION continued

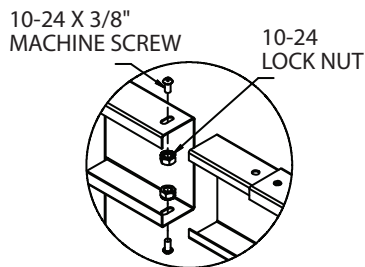
## Leg Installation

1. All units are shipped with N.S.F. approved legs. These legs must be installed to provide a minimum clearance of four (4) inches between the counter top and bottom of the unit in order to meet National Sanitation Foundation requirements.
2. When using the legs described above, raise front of unit and screw leg into leg retaining nut provided at each corner of unit, repeat at rear.
3. Unit may be leveled by adjusting legs. Use a spirit level and level unit (by cooking grids) four (4) ways: across the front and back and down the sides.

## Assembly Of Counter Stand

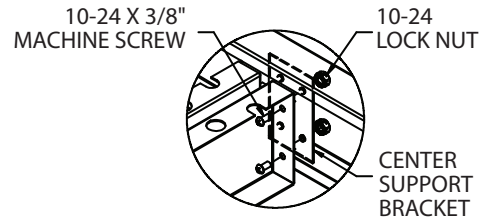


1. Slide the side leg assembly into the sleeve assembly and fasten with a screw and a nut in 8 places (2 per joint) as shown in detail 1.



DETAIL 1

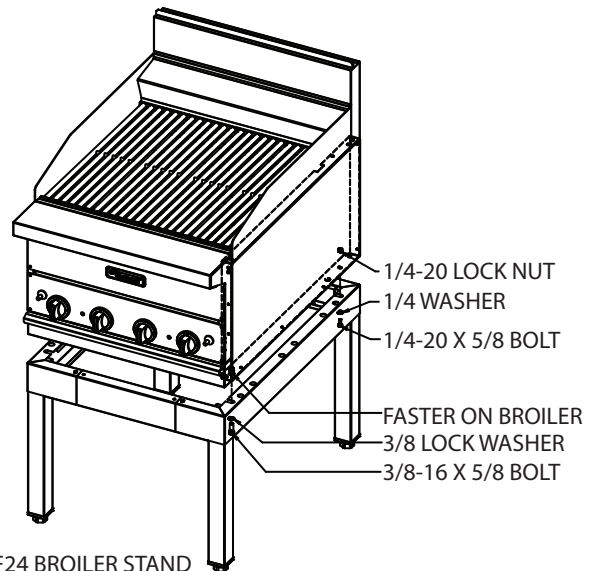
2. Place the center support bracket inside of the sleeve assembly. Mount the center support to the bracket with 2 screws and nuts (detail 2). Repeat for the other side. Sleeve assemblies should be sandwiched between the center support and center support bracket. Repeat for other center support.



DETAIL 2

3. Prior to placing the unit on the stand:
  - a. Remove levelling feet from unit.
  - b. Remove grates/rods/burners etc. to lighten unit and team lift onto stand.
4. Attach the broiler to the stand at the back with (2) 1/4" bolts, washers and lock nuts as shown. (One for each corner.)

NOTE: for 48" broiler there are (4) mounting locations at the back.



GF24 BROILER STAND WITH LEGS SHOWN

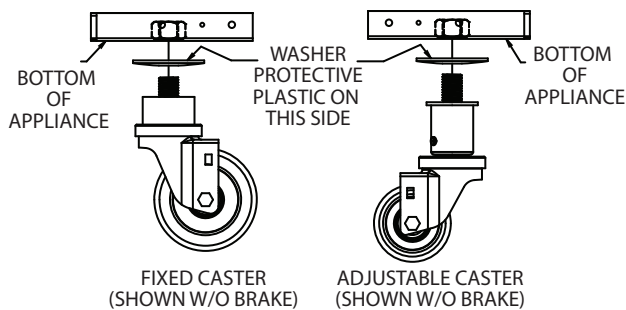
5. Attach the broiler to the stand at the front with (2) 3/8" bolts & lock washers as shown. Bolt with thread into fasteners attached to the bottom side of the broiler (one for each corner).

NOTE: for 48" broiler there are (4) mounting locations at the back.

# INSTALLATION continued

## Installation for Units Equipped with Casters

- The installation shall be made with a connector that complies with the Standard for Connectors for Moveable Gas Appliances, ANSI Z21.69/CSA 6.16, Addenda Z21.69B-2006/CSA 6.16B-2006 (or latest edition), and a quick-disconnect device that complies with the Standard for Quick Disconnects for Use with Gas Fuel, ANSI Z21.41/CSA 6.9, Addenda Z21.41A-2005/CSA 6.16A-2005 (or latest edition).
- Raise the front of the appliance and block. Do not lay the appliance on its back.
- Caster are threaded to be easily screwed into the holes provided on the bottom of the range. It is important to add the washers supplied to help distribute force on the range when being moved.



- Place the washer on the caster stem as shown. Since the washer is slightly cupped, it is critical that the side with the plastic is up and mates with the bottom of the appliance. With the washer in place, thread the caster onto the appliance tightly. It is not necessary to remove the plastic from the washer.
- The front casters of the unit are equipped with brakes to limit the movement of the unit without depending on the connector and any quick-disconnect device or its associated piping to limit the appliance movement.
- Please be aware, there is a restraint on the unit and if disconnection of the restraint is necessary, be sure to reconnect the restraint after the unit has been returned to its originally installed position.

## Cabinet Bases

Cabinet base options are available for all broiler models. Cabinets are pre-assembled at time of delivery except legs or casters.

## Assembly Of Broiler

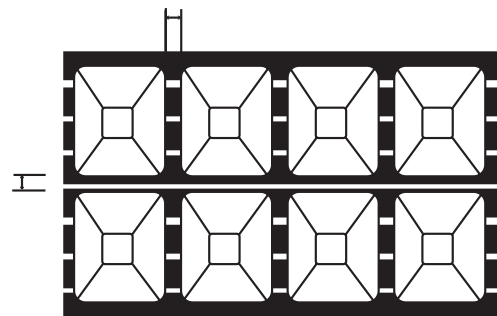
### Steel Grate Rods

Each broiler is supplied with (14) 15"/381mm, (18-BRL), 21"/533mm, (24-BRL), 26"/660mm, (30-BRL), 31"/787mm, (36-BRL) or 2 sets of 21"/533mm (48-BRL) long steel rods. These rods are to be installed in the grooves on the support brackets, which are atop the burners.

### Briquettes

For best cooking results, it is recommended that the correct amount of briquettes are installed in the broiler. Refer to the table and drawing below for the proper arrangement of briquettes. When all the briquettes have been placed as instructed, install the top grate sections.

MODEL	18-BRL	24-BRL	30-BRL	36-BRL	48-BRL
Rows front to rear	7	7	7	7	7
Rows left to right	7	11	14	17	22



## Ventilation

The following notes are intended to give general guidance. For detailed recommendations, refer to the applicable code(s) in the country of destination. These appliances shall be installed in a room with sufficient ventilation to prevent the occurrence of hazardous concentrations of combustion by-products.

A good ventilation system is important for satisfactory performance and it is recommended to install the broiler under a power vented canopy.

Local and/or National Codes dictate the need of ventilation system to be used with this type of equipment. The following information is provided to give examples of available ventilation system concepts.

# INSTALLATION continued

Two basic types of power ventilations are in use today. One type is the overhead hood or canopy and the other is the under shelf exhaust system. The latter offers simplicity of installation and minimum cleaning expense. Both require flame-proof filters for easy grease removal.

The ventilator must be connected to a duct of suitable size with an exhaust blower capable of removing a minimum of 325 CFM'S of air per square foot of broiler surface.

## OPERATION

### Grid Rack Seasoning Instructions

To insure long life and service, it is imperative that the cooking surface be carefully broken in or seasoned in the following manner:

1. Remove all factory applied protective material by washing with hot water and a mild detergent or soap solution. Rinse and dry thoroughly.
2. Apply a thin coat of olive oil or other high grade salt free cooking oil to the cooking surface. Wipe away excess.
3. Turn all valves to a low setting and allow grid racks to heat slowly for thirty (30) minutes. Allow oil to remain on cooking surface three (3) to four (4) minutes, then wipe off.
4. Reset valves to desired operating temperature and apply a second coat of oil and leave for two (2) or three (3) minutes after grid rack reaches temperature. Then wipe off surplus.

Your broiler is now ready to use.

NOTE: Unless products contain sufficient fat, grid racks must be seasoned before each use. Re-season after thorough cleaning of the cooking surface.

### Lighting Instructions

Models G(18,24,39,36,48)-BRL

1. One pilot serves two burners and is located between those burners.
2. Push red spark buttons several times to ignite pilot burners.
3. Ensure pilots are lit by viewing through pilot view hole on front of unit.

Models GF(18,24,30,36)-BRL

1. Push in the valve knob and turn counter-clockwise to the ignition position.
2. While holding the knob fully in, depress the ignitor button and visually confirm that the pilot lights are on. If the pilot does not light, repeatedly press the ignitor button until ignition is achieved.
3. After the pilot is lit, continue to hold the valve knob in for at least 20 seconds, then release it. If the pilot goes out, wait five, (5), minutes, then repeat the procedure.
4. When the pilot is established, push in the valve knob again and turn it counter-clockwise to the full flame position, igniting the main burner.
5. For low flame or simmer, push in the valve knob and turn it to the low flame position.
6. To turn the burner off, push in and turn the valve knob to the circular "OFF" symbol.

### Shut down

1. Turn all gas valves off.
2. If the unit is to be shut down for an extended period of time, turn the in-line service valve to the "OFF" position, (this valve is not factory supplied).

# CLEANING AND MAINTENANCE

## Cleaning Care of the Grid Racks

Establish a regular cleaning schedule. It is necessary to avoid obstruction and to allow proper combustion and performance.

1. Grid racks should be wiped daily while still warm, using a heavy cloth or other grease absorbing material to remove grease and burnt food before they burn into the grid. Remove burnt materials, such as carbonized grease or food, with a stiff wire brush. Do Not use Any Type Of Steel wool. Small particles may be left on the grid surface and get into food products.
2. Grid racks should be washed thoroughly using a wire brush and a hot, mild detergent or soap solution. Rinse with clear, warm water.
3. Dry thoroughly.
4. Re-season grid racks as outlined in seasoning instructions.
5. Empty grease tray(s) frequently and wash daily in hot, mild detergent or soap solution.
6. Do not waste gas or abuse equipment by leaving valves at high temperature settings while not in use. Throughout all idling periods, set valves as low temperature setting to keep grids warm. Re-set valves as required for periods of heavy load. Turn valves to OFF at end of daily operation.
7. When the grill is running, never use objects such as sheet pans to cover the grill in order to hold in heat in an attempt to burn off grease or other debris.

## Exterior Finish Cleaning

Establish a regular schedule. Any spills should be wiped off immediately.

1. Wipe exposed, clean-able surface when cool with a mild detergent and hot water. Stubborn residue spots may be removed with a light weight non-metallic scouring pad. Dry thoroughly with a clean cloth.
2. Stainless steel should be cleaned using a mild detergent, a soft cloth, and hot water. If it is necessary to use a non-metallic scouring pad, always rub in the direction of the grain in the metal to prevent scratching. Use a water based stainless steel cleaner (such as Drackett Twinkle), if you want a high shine.
3. The side splash or main top of the broiler can be cleaned with hot water and a soap solution. A degreaser may be used as well. To make the cleaning easier, you may remove the main top assembly. To remove the main top, first lift and remove all grids, then lift the main top off. When finished cleaning, dry thoroughly and lightly coat with cooking oil or spray with cooking oil such as PAM. If not coated, rust will form.



# MANUEL D'INSTALLATION ET D'UTILISATION

## RÔTISSOIRES GARLAND SÉRIES G-BRL ET GF-BRL



Seules les rôtissoires série GF sont agréées CE



Comprend les modèles : G18-BRL, G24-BRL,  
G30-BRL, G36-BRL, G48-BRL, GF18-BRL,  
GF24-BRL, GF30-BRL et GF36-BRL

**POUR VOTRE SÉCURITÉ:**  
**NE PAS STOCKER NI UTILISER D'ESSENCE OU  
D'AUTRES VAPEURS OU LIQUIDES INFLAM-  
MABLES À PROXIMITÉ DE CET APPAREIL OU  
DE TOUT AUTRE APPAREIL.ER  
APPLIANCE**

**AVERTISSEMENT :**  
**UNE INSTALLATION, DES RÉGLAGES, DES  
MODIFICATIONS, DES RÉPARATIONS OU UN  
ENTRETIEN MAL FAITS PEUVENT CAUSER  
DES DOMMAGES MATÉRIELS, DES BLES-  
SURES OU LA MORT. LIRE SOIGNEUSEMENT  
LES INSTRUCTIONS D'INSTALLATION,  
D'UTILISATION ET D'ENTRETIEN  
AVANT D'INSTALLER OU DE RÉPARER  
L'ÉQUIPEMENT.**

LIRE TOUTES LES SECTIONS DU PRÉSENT MAN-  
UEL ET LE CONSERVER POUR S'Y REPORTER  
ULTÉRIEUREMENT.

CE PRODUIT A ÉTÉ HOMOLOGUÉ EN TANT  
QU'ÉQUIPEMENT PROFESSIONNEL DE CUISSON  
ET DOIT ÊTRE INSTALLÉ PAR DU PERSONNEL  
PROFESSIONNEL TEL QUE SPÉCIFIÉ.

DANS L'ÉTAT DU MASSACHUSETTS, CE PRODUIT  
DOIT ÊTRE INSTALLÉ PAR UN PLOMBIER OU UN  
MONTEUR D'INSTALLATION AU GAZ CERTIFIÉ.

Pour votre sécurité :  
Placer dans un endroit bien en vue les instruc-  
tions à suivre en cas d'odeur de gaz détectée  
par l'utilisateur. Cette information peut être  
obtenue auprès du fournisseur de gaz local.

L'attention des utilisateurs est attirée sur le fait que l'entretien et les réparations doivent être effectués par un agent d'entretien autorisé par Garland utilisant des pièces de rechange d'origine Garland. Garland n'aura aucune obligation en ce qui concerne n'importe quel produit mal installé, réglé, utilisé ou qui n'aurait pas été entretenu conformément aux codes nationaux et locaux ou aux instructions d'installation fournies avec le produit ou n'importe quel produit dont le numéro de série aurait été mutilé, oblitéré ou supprimé ou qui aurait été modifié ou réparé avec des pièces non autorisées ou par des agents d'entretien non autorisés. Pour obtenir la liste des agents de service autorisés, consulter le site web de Garland à : <http://www.garland-group.com>. Les renseignements contenus dans le présent document (y compris la conception et les spécifications des pièces) peuvent être remplacés ou modifiés sans préavis.

GARLAND COMMERCIAL INDUSTRIES, LLC  
185 East South Street  
Freeland, Pennsylvanie 18224  
Téléphone : (570) 636-1000  
Télécopieur : (570) 636-3903

GARLAND COMMERCIAL RANGES, LTD.  
1177 Kamato Road, Mississauga, Ontario L4W 1X4  
CANADA  
Téléphone : 905-624-0260  
Télécopieur : 905-624-5669

## INFORMATIONS IMPORTANTES

### AVERTISSEMENT :

**Ce produit contient des produits chimiques reconnus par l'état de Californie comme causant le cancer et/ou des malformations congénitales ou d'autres problèmes de reproduction. L'installation et l'entretien de ce produit peut vous exposer aux poussières de laine de verre/fibres céramiques. L'inhalation de ces particules de laine de verre ou de fibres céramiques est reconnue par l'état de Californie comme causant le cancer. L'utilisation de ce produit peut vous exposer au monoxyde de carbone en cas de mauvais réglage. L'inhalation de monoxyde de carbone est reconnue par l'état de Californie comme pouvant causer des malformations congénitales ou d'autres problèmes reproductifs.**

**Maintenir les abords de l'appareil dégagés et  
ne pas y stocker de produits combustibles.**

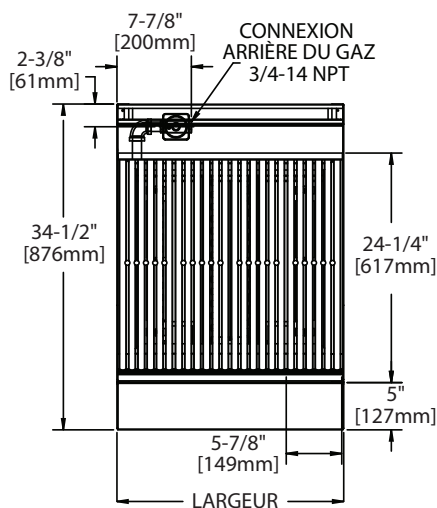
# TABLE DES MATIÈRES

<b>INFORMATIONS IMPORTANTES</b> .....	<b>14</b>
<b>DIMENSIONS ET SPÉCIFICATIONS - RÔTISSOIRES</b> .....	<b>16</b>
Marchés Nord-Américain Et Internationaux Généraux .....	16
Marché Australien .....	16
Modèles homologués CE .....	17
Réglages De Pression/Taille Des Injecteurs .....	17
Débit Calorifique .....	17
Dimension D'entrée Du Gaz .....	17
Série GF - Homologué CE - Catégories de gaz .....	17
<b>DIMENSIONS ET SPÉCIFICATIONS - SOCLES</b> .....	<b>18</b>
<b>PRÉINSTALLATION</b> .....	<b>19</b>
Déballage .....	19
Informations De Sécurité .....	19
<b>INSTALLATION</b> .....	<b>19</b>
Emplacement De La Plaque Signalétique .....	19
Réglementation Légale .....	19
Clause Spécifique à l'Australie .....	20
Alimentation En Gaz .....	20
Gas Connections .....	20
Installations Sur Plan De Travail .....	20
Emplacement .....	20
Joint Sanitaire De Plan De Travail .....	21
Installation des pieds .....	21
Montage Des Socles De Plan De Travail .....	21
Installation Des Appareils Équipés De Roulettes .....	22
Bases De Meuble .....	22
Montage De La Rôtissoire .....	22
Ventilation .....	23
<b>FONCTIONNEMENT</b> .....	<b>24</b>
Instructions D'apprêtage De La Crémaillère De Grille .....	24
Instructions d'allumage .....	24
<b>ENTRETIEN ET NETTOYAGE</b> .....	<b>25</b>
Nettoyage des crémaillères de grille .....	25
Nettoyage Du Fini Extérieur .....	25

# DIMENSIONS ET SPÉCIFICATIONS - RÔTISSOIRES

Dimensions Des Produits Et Spécialisations D'expédition						Amérique du Nord et CE <sup>1</sup> Entrées		
Modèle	Largeur	Hauteur Sans Pieds	Profondeur	Expédition		Nb De Brûleurs	Débits Calorifiques Totaux	
				lbs/kg	Cu Ft		BTU/Hr	kW/Hr
G18-BRL	18 po(457mm)	25-1/8 po(636mm)	34-1/2 po(876mm)	190/86	21	3	45,000	13.2
G24-BRL	24 po(610mm)	25-1/8 po(636mm)	34-1/2 po(876mm)	240/109	21	4	60,000	17.6
G30-BRL	30 po(762mm)	25-1/8 po(636mm)	34-1/2 po(876mm)	290/131	29.5	5	75,000	22
G36-BRL	36 po(914mm)	25-1/8 po(636mm)	34-1/2 po(876mm)	340/154	29.5	6	90,000	26.4
G48-BRL	48 po(1219mm)	25-1/8 po(636mm)	34-1/2 po(876mm)	375/170	37	8	120,000	35.2
<sup>1</sup> GF18-BRL	18 po(457mm)	25-1/8 po(636mm)	34-1/2 po(876mm)	190/86	21	3	45,000	12.0
<sup>1</sup> GF24-BRL	24 po(610mm)	25-1/8 po(636mm)	34-1/2 po(876mm)	240/109	21	4	60,000	16.0
<sup>1</sup> GF30-BRL	30 po(762mm)	25-1/8 po(636mm)	34-1/2 po(876mm)	290/131	29.5	5	75,000	20.0
<sup>1</sup> GF36-BRL	36 po(914mm)	25-1/8 po(636mm)	34-1/2 po(876mm)	340/154	29.5	6	90,000	24.0

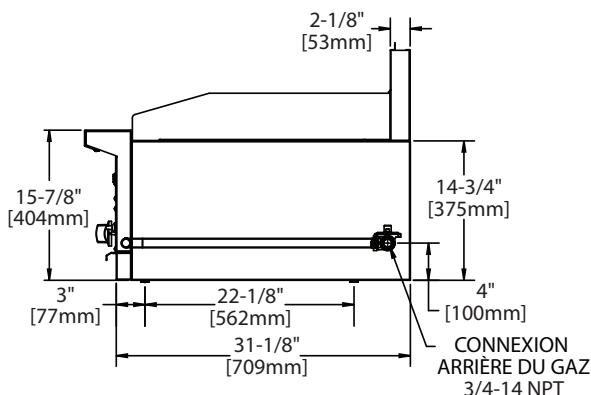
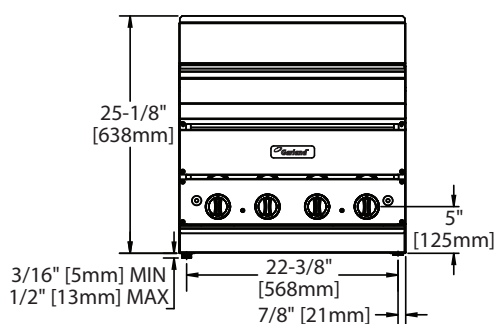
**<sup>1</sup>NOTA : Seules les rôtissoires série GF avec fonctions de détection de flamme sont agréées CE**



## Modèles G-BRL

Pour utilisation dans des emplacements  
incombustibles uniquement.

Dégagements d'installation par rapport aux matériaux non combustibles(Tous les modèles)	
Arrière	Côtés
0 po	0 po



## Marchés Nord-Américain Et Internationaux Généraux

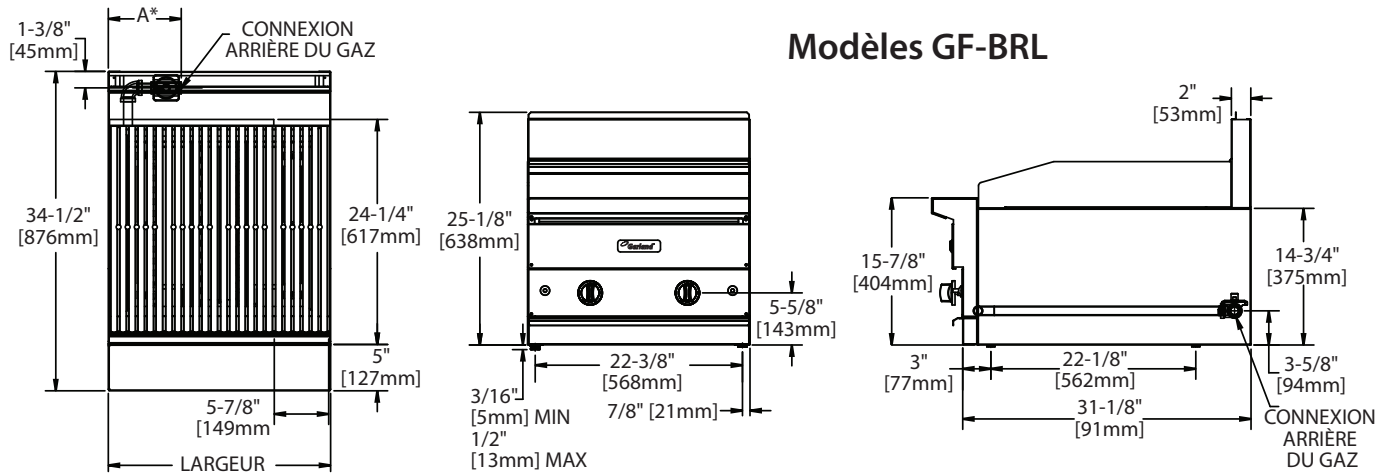
Pression De Fonctionnement Du Collecteur			
Natural (G20)	4,5 po CE (11,2 mbars)	LPG (G31)	10 po wc (24,9mbar)

## Marché Australien

Pression De Fonctionnement Du Collecteur			
Natural 4 po CE (1.0kPa)		LPG 10po CE (2,49 kpa)	
Entrée par brûleur			
MJ/H	Dia. Injecteur.	MJ/H	Dia. Injecteur.
15,8	1,9 mm	15,8	1,1 mm



# DIMENSIONS ET SPÉCIFICATIONS – RÔTISSOIRES (suite)



\*Pour les unités livrées avec régulateur, la dimension «A» est de 7-7/8 po (200 mm) avec une connexion 3/4 po – 14 NPT. Les unités destinées à l'Europe (CE) ne sont pas livrées avec régulateur, mais avec un adaptateur 3/4 po – 14 BSPT.

## Modèles homologués CE

### Réglages De Pression/Taille Des Injecteurs

MODÈLE	2ème Famille Groupes H L et E						3ème Famille Groupe 3p			
	Pression De Réglage				Taille Injecteur		Pression De Réglage		Taille Injecteur	
	Entrée G20 à 20 mbar		Entrée G25 à 25 mbar				Entrée G31 à 37/50 mbar			
	mbar	po CE	mbar	po CE	DMS	mm	mbar	po CE	DMS	mm
GF18-BRL	11,2	4,5	14,9	6	50	1,78	24,9	10	58	1,07
GF24-BRL	11,2	4,5	14,9	6	50	1,78	24,9	10	58	1,07
GF30-BRL	11,2	4,5	14,9	6	50	1,78	24,9	10	58	1,07
GF36-BRL	11,2	4,5	14,9	6	50	1,78	24,9	10	58	1,07

### Débit Calorifique

MODÈLE	2ème Famille, Groupes H Et E		2ème famille, Groupe, L		3ème Famille, Groupe 3P		Nb De Brûleurs
	(G20 à 20/25 mbar) Gaz nat.		(G25 à 25 mbar) Gaz nat.		(G31 à 37/50 mbar) PropaneE		
	Par Brûleur / Total		Par Brûleur / Total		Par Brûleur / Total		
	kW	BTU/H	kW	BTU/H	kW	BTU/H	
GF18-BRL	4,0 / 12,0	15 000 / 45 000	4,0 / 12,0	15 000 / 45 000	4,0 / 12,0	15 000 / 45 000	3
GF24-BRL	4,0 / 16,0	15 000 / 60 000	4,0 / 16,0	15 000 / 60 000	4,0 / 16,0	15 000 / 60 000	4
GF30-BRL	4,0 / 20,0	15 000 / 75 000	4,0 / 20,0	15 000 / 75 000	4,0 / 20,0	15 000 / 75 000	5
GF36-BRL	4,0 / 24,0	15 000 / 90 000	4,0 / 24,0	15 000 / 90 000	4,0 / 24,0	15 000 / 90 000	6

### Dimension D'entrée Du Gaz

Largeur Du Modèle	Connexion	Connexion Modèles CE (ISO7-1)
23-5/8 po (600mm) & 35-1/2 po (900mm)	Connexion Arrière Du Gaz 3/4 Po NPT	3/4 po (19,1mm) BSPT

### Série GF - Homologué CE - Catégories de gaz

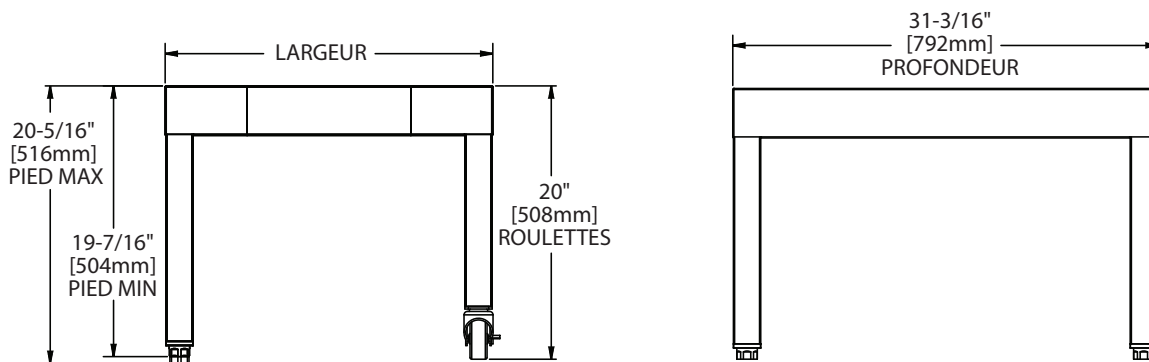
Pays	Catégorie De Gaz	Type De Gaz	Pression (mbar)
GB, IE, ES, PT, GR	I2H	G20	20
BE, FR	I2E+	G20	20/25
DE	I2E	G20	20
GB, IE, ES, PT, BE, FR	I3P	G31	37
GB, FR, NL, DE, ES	I3P	G31	50
NL	I3P	G31	30

### Rapprochez Les Estimations Totales D'entrée Avec Tous Les Brûleurs Fonctionnant Au BAS

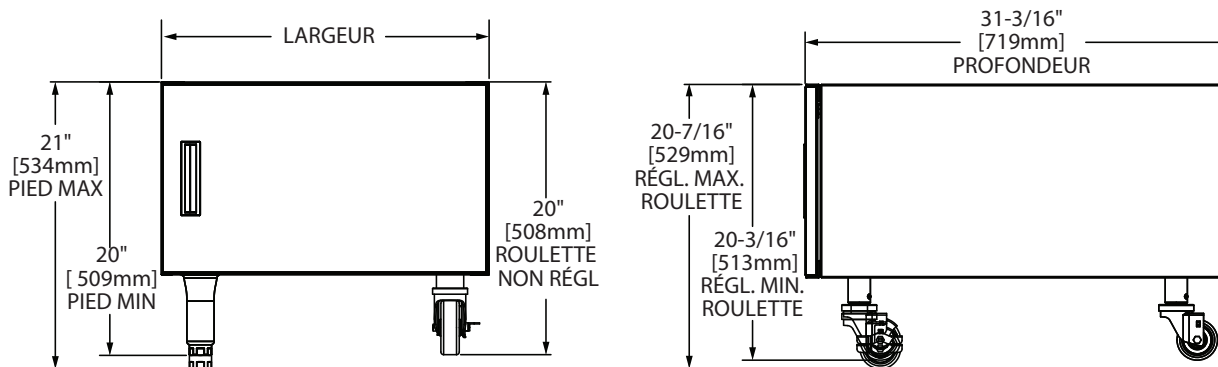
	kW	BTU/H
GF18-BRL	4.5	16,875
GF24-BRL	6.0	22,500
GF30-BRL	7.5	28,125
GF36-BRL	9.0	33,750

# DIMENSIONS ET SPÉCIFICATIONS - SOCLES

Numéro De Modèle	Description	À Utiliser Avec Rôtissoire Modèle	pi <sup>3</sup>	Poids d'expédition Lb/ Kg
G18-BRL-STD	Socle De Plancher 18 po (457 mm) De Large	G18-BRL & GF18-BRL	4,5	30/14
G24-BRL-STD	Socle De Plancher 24 Po (610mm) De Large	G24-BRL & GF24-BRL	4,5	40/18
G30-BRL-STD	Socle De Plancher 30 Po (762mm)De Large	G30-BRL & GF30-BRL	4,5	50/23
G36-BRL-STD	Socle De Plancher 36 Po (914mm) De Large	G36-BRL & GF36-BRL	4,5	55/25
G48-BRL-STD	Socle De Plancher 48 Po (1219mm) De Large	G48-BRL	5,5	58/26
G18-BRL-CAB	Meuble Fermé 18 po (457 mm) De Large	G18-BRL & GF18-BRL	21	40/18
G24-BRL-CAB	Meuble Fermé 24 Po (610mm) De Large	G24-BRL & GF24-BRL	21	45/20
G30-BRL-CAB	Meuble Fermé 30 Po (762mm) De Large	G30-BRL & GF30-BRL	29,5	50/23
G36-BRL-CAB	Meuble Fermé 36 Po (914mm) De Large	G36-BRL & GF36-BRL	29,5	60/27
G48-BRL-CAB	Meuble Fermé 48 Po (1219mm)De Large	G48-BRL	37	65/29.5



G24-BRL-STD



G24-BRL-CAB

- Il existe de nombreux codes locaux, et il est de la responsabilité du propriétaire et de l'installateur de respecter ces codes.
- Garland se réserve le droit de modifier ou d'améliorer les spécifications des produits sans préavis.
- Les produits Garland ne sont pas agréés ni autorisés pour une utilisation personnelle ou résidentielle, mais sont destinés à des applications commerciales seulement.. Garland n'offre pas de services de réparation, garantie, entretien ou soutien de n'importe quelle sorte pour des applications autres que commerciales.

# PRÉINSTALLATION

## Déballage

GARLAND recommande fortement d'inspecter l'appareil en présence du transporteur pour vérifier la présence de dommages causés pendant le transport.

1. Retirer la carton. En cas de dommage, tous les matériaux d'emballage doivent être conservés pour inspection par le transporteur.
2. Inspecter soigneusement la rôtissoire pour déceler les signes de dommages comme des rayures, bosses et boutons manquants.
3. Pendant que le conducteur du camion est sur place, noter les dommages sur la facture de transport. Appeler le transporteur pour demander une inspection.

En cas de vérification de l'équipement après le départ du transporteur, vous avez environ quinze (15) jours pour demander une inspection de dommages de transport par l'agent du transporteur.

Si une réclamation de dommages non apparents est déposée auprès du transporteur au-delà de 15 jours, GARLAND ne peut pas être tenue pour responsable et le transporteur demandera au destinataire de fournir la preuve que le transporteur était responsable.

## Informations De Sécurité

**AVERTISSEMENT :** Des pièces accessibles peuvent devenir chaudes pendant l'utilisation. Maintenir les jeunes enfants éloignés.

Cet appareil est pour à usage professionnel et devrait seulement être employé par le personnel qualifié.

Cet appareil n'est pas destiné à être utilisé par des personnes (y compris des enfants) ayant des capacités physiques, sensorielles ou mentales réduites ou un manque d'expérience et de connaissances à moins qu'elles n'aient reçu une supervision ou des instructions concernant l'utilisation de cet appareil d'une personne responsable de leur sécurité.

# INSTALLATION

Pour correspondre avec l'usine ou le centre de service agréé local concernant des problèmes de service ou des pièces de rechange, bien faire référence à l'appareil avec le numéro de modèle correct (comprenant les lettres et chiffres du préfixe et du suffixe) et le numéro de série de garantie. La plaque signalétique fixée à l'appareil contient ces renseignements.

Nous suggérons de faire faire l'installation, l'entretien et les réparations par une agence de service agréée locale figurant dans la manuel d'informations.

En cas de questions concernant l'installation, l'utilisation, l'entretien ou la réparation du produit, écrire ou communiquer avec le département de service des produits.

Ce produit doit être installé par du personnel professionnel tel que spécifié. Les produits Garland/U.S. Range ne sont pas agréés ni autorisés pour une utilisation personnelle ou résidentielle, mais sont destinés à des applications commerciales seulement. Garland / U.S. Range n'offre pas de services de réparation, garantie, entretien ou soutien de n'importe quelle sorte pour des applications autres que commerciales.

## Emplacement De La Plaque Signalétique

On découvre la plaque signalétique en retirant le plateau à graisse; elle est située sur le support gauche de glissière du plateau à graisse.

## Réglementation Légale

L'installation de cet appareil doit être faite par une personne compétente et conformément aux règlements concernés, codes de pratique et publications connexes du pays de destination.

Dans les pays européens, l'installation doit être faite par une personne compétente et conformément aux règlements concernés, codes de pratique et publications connexes du pays de destination.

Aux États-Unis, l'installation doit être conforme au National Fuel Gas Code Code ANSI Z223.1, ou la dernière édition, la norme NFPA No.54 – dernière édition/ou le code local pour assurer un fonctionnement sécuritaire et efficace. Au Canada, l'installation doit être conforme à la norme CSA B149.1 et aux codes locaux.

# INSTALLATION (suite)

## Clause Spécifique à l'Australie

Cet appareil doit être installé conformément aux instructions du fabricant, aux règlements locaux relatifs aux raccords de gaz et aux exigences du code d'installation AS 5601 / AG 601. Tous les réglages des brûleurs doivent être faits par un technicien qualifié spécialiste des appareils à gaz.

## Alimentation En Gaz

- A. Le type de gaz pour lequel l'appareil est équipé est estampillé sur la plaque signalétique située (modèles G80) derrière le panneau supérieur avant, (modèles 80B-40SD & ESD) à l'intérieur des portes du compartiment. Brancher un appareil estampillé " NAT " au gaz naturel et un appareil estampillé " PRO " au gaz propane.
- B. S'il s'agit d'une installation neuve, faire vérifier par le fournisseur de gaz le diamètre du compteur et des conduites afin de s'assurer que l'appareil reçoit une pression de gaz suffisante pour fonctionner correctement.
- C. S'il s'agit d'un équipement supplémentaire ou de remplacement, faire vérifier la pression du gaz par un technicien qualifié afin de s'assurer que les installations de gaz existantes (compteur, tuyauteries, etc.) fourniront les BTU dont l'appareil a besoin avec une chute de pression ne dépassant pas 1/2 po de colonne d'eau. Lors de la vérification de la pression, s'assurer que les autres équipements sur la même conduite de gaz fonctionnent à leur débit maximal.

NOTA : Pour vérifier la pression du gaz, s'assurer que tous les autres équipements branchés sur la même conduite de gaz sont allumés. Si la rôtissoire a été livrée avec un régulateur, celui-ci a été pré-réglé pour correspondre aux spécifications de la plaque signalétique de l'unité. Toutes les unités ont besoin de régulateurs et doivent être ajustées conformément aux spécifications du fabricant.

- D. Cet appareil et son robinet d'arrêt du gaz individuel (non fourni par Garland) doivent être débranchés du système d'alimentation en gaz lors de tout essai de pression de ce système à des pressions dépassant 1/2 lb/po<sup>2</sup> (3,45 kPa).
- E. Le branchement d'alimentation en gaz est situé dans le coin arrière inférieur gauche de l'appareil. Un robinet manuel facilement accessible et de type homologué devrait être installé sur chaque conduite d'alimentation. Vérifications des fuites – Ne pas utiliser de flamme nue.

- F. Un bouchon de prise de pression est fourni avec les appareils et est installé sur le collecteur. Le panneau des robinets doit être retiré pour utiliser la prise de pression. Il est nécessaire de vérifier la pression du gaz quand l'appareil est installé, pour s'assurer que la pression d'alimentation de l'appareil est identique à celle indiquée sur la plaque signalétique. Si nécessaire, des réglages de pression doivent être faits au régulateur de pression.
- G. S'il s'agit d'une installation complètement nouvelle, faire installer et vérifier les conduites de gaz, la taille du compteur et celles des tuyauteries par un technicien en gaz qualifié.
- H. S'assurer que les tuyauteries, joints et branchements neufs ont été exécutés proprement et ont été purgés de façon à ce que la graisse à filetage, les copeaux, etc. ne bouchent pas les robinets des veilleuses ni les commandes. Utiliser du produit d'étanchéité pour joint qui résiste au gaz de pétrole liquéfié.

AVERTISSEMENT : Vérifier la présence de fuites sur les connexions de gaz. Utiliser une solution savonneuse ou une méthode similaire. **Ne pas utiliser de flamme nue!**

## Gas Connections

Toutes les rôtissoires ont des connexions du gaz arrière 3/4 po NPT ou 3/4 po-14NPT. Les modèles CE ont un filetage 3/4 po 14 NPT qui comprend un adaptateur.

NOTA : Un dégagement suffisant doit être prévu pour l'entretien et l'utilisation.

## Installations Sur Plan De Travail

### Emplacement

Déballer soigneusement les appareils et prévoir l'espace nécessaire sur le plan de travail ou la barre arrière. Tous les appareils doivent être installés dans des endroits incombustibles.

- A. L'emplacement des appareils est vital et ils devront être placés à un endroit où il y a suffisamment d'air d'appoint pour assurer une combustion correcte. L'air d'appoint devra être fourni de façon à passer par l'avant de l'appareil. Ne pas obstruer le débit d'air par l'avant.
- B. Conformément aux normes d'utilisation des appareils à gaz, l'appareil devrait être placé sous une hotte de ventilation de taille et de capacité correspondantes. Voir les instructions de ventilation.

# INSTALLATION (suite)

## Joint Sanitaire De Plan De Travail

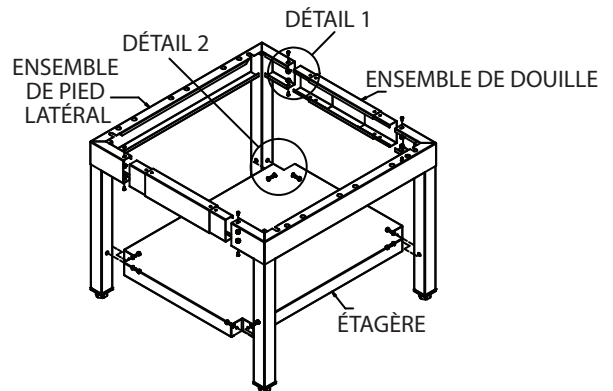
Quand la rôtissoire est installée sur un plan de travail, la National Sanitation Foundation, (NSF), recommande qu'elle soit étanchéifiée conformément à ses normes selon les instructions suivantes :

1. L'appareil devrait être placé sur une surface de plan de travail incombustible et de niveau.
2. Nettoyer soigneusement le périmètre inférieur de la rôtissoire et le plan de travail autour du fond de la rôtissoire.
3. Appliquer une bonne couche de produit d'étanchéité à base de silicone tout autour du périmètre extérieur du fond de la rôtissoire.
4. La rôtissoire peut être fixée au plan de travail en insérant les boulons de 3/8 po de diamètre à travers le comptoir depuis le dessous (dans des trous prépercés de 1/2 po de diamètre) et en les vissant dans les inserts à écrous dans le fond de l'appareil.
5. Lisser le produit d'étanchéité au silicone avec un doigt ou un outil pour obtenir un joint lisse.

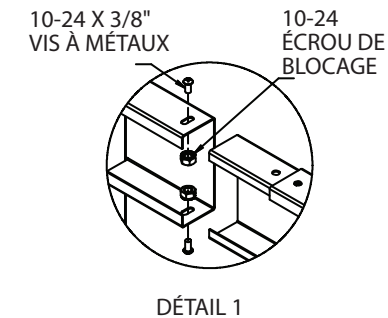
## Installation des pieds

1. Tous les appareils sont expédiés avec des pieds homologués par la NSF. Ces pieds doivent être installés pour assurer un espace de quatre (4) pouces entre le comptoir et le bas de l'appareil afin de respecter les exigences de la National Sanitation Foundation.
2. Lors de l'utilisation des pieds décrits ci-dessous, soulever l'avant de l'appareil et visser le pied dans l'écrou de retenue du pied prévu dans chaque coin de l'appareil; refaire la même chose à l'arrière.
3. L'appareil doit être mis de niveau en réglant les pieds. Utiliser un niveau à bulle pour mettre l'appareil de niveau (en se basant sur les grilles de cuisson) dans les quatre (4) sens. entre l'avant et l'arrière et aussi sur les côtés.

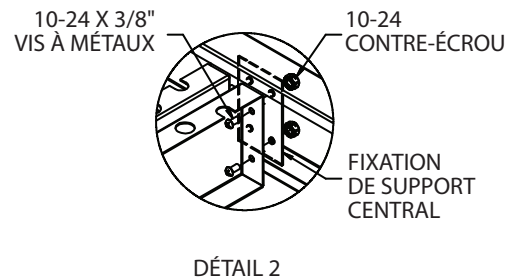
## Montage Des Socles De Plan De Travail



1. Glisser l'ensemble de pied latéral dans l'ensemble de douille et fixer avec une vis et un écrou à 8 endroits (2 par joint) comme illustré sur le détail 1.



2. Placer la fixation de support central dans l'ensemble de douille. Monter le support central sur la fixation avec 2 vis et écrous (détail 2). Répéter l'opération pour l'autre côté. Les ensembles de douille doivent être placés entre le support central et la fixation de support central. Répéter pour l'autre support central.

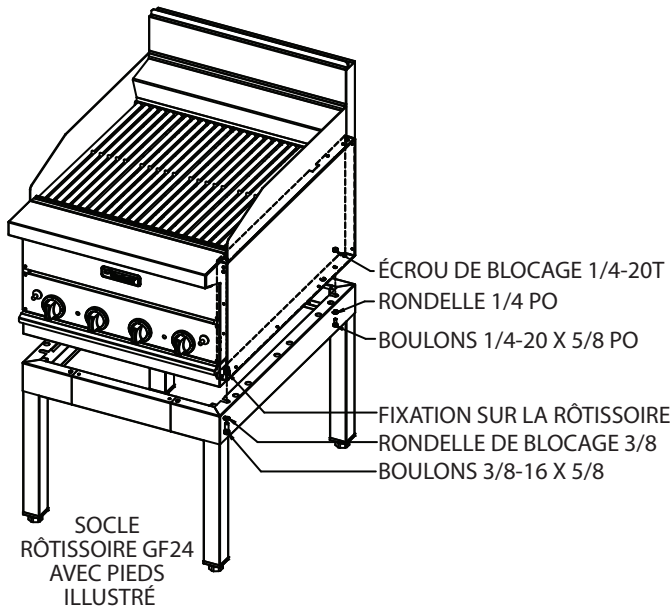


3. Avant de placer l'unité sur le socle :
  - a. Retirer les pieds de mise à niveau de l'appareil.
  - b. Retirer les grilles/tiges/brûleurs, etc. pour alléger l'appareil et le soulever à plusieurs sur le socle.

## INSTALLATION (suite)

4. Fixer la rôtissoire au socle à l'arrière avec (2) boulons de 1/4 po, des rondelles et écrous de blocage comme illustré. (Un dans chaque coin.)

NOTA : pour la rôtissoire de 48 po, il y a (4) emplacements de montage à l'arrière.



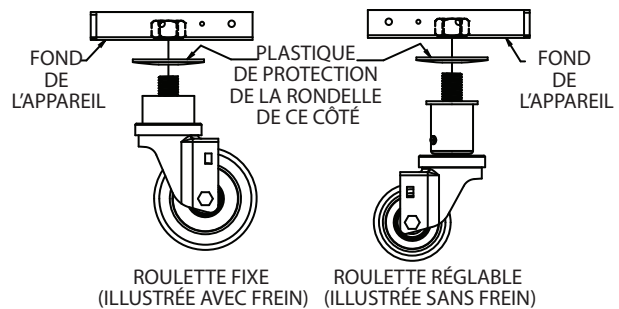
5. Fixer la rôtissoire au socle à l'arrière avec (2) boulons de 3/8 po, et des rondelles de blocage comme illustré. Boulon avec le filetage dans les fixations fixées à la partie inférieure de la rôtissoire (une dans chaque coin).

NOTA : pour la rôtissoire de 48 po, il y a (4) emplacements de montage à l'arrière.

### Installation Des Appareils Équipés De Roulettes

- A. L'installation sera faite avec un raccord conforme à la norme Connectors for Movable Gas Appliances, ANSI Z21.69/CSA 6.16, Addenda Z21.69B-2006/CSA 6.16B-2006 (ou la dernière édition) et un raccord rapide conforme à la norme Standard for Quick-Disconnect Devices for use with gas fuel, ANSI Z21.41/CSA 6.9, Addenda Z21.41A-2005/CSA 6.16A-2005 (ou la dernière édition).
- B. Soulever l'avant de l'appareil et l'immobiliser. Ne pas coucher l'appareil sur l'arrière.

- C. Les roulettes sont filetées pour être vissées facilement dans les trous prévus sous la cuisinière. Il est important d'ajouter les rondelles fournies afin de mieux répartir la force sur la cuisinière quand elle est déplacée.



- D. Placer la rondelle sur la tige de la roulette comme illustré. Étant donné que la rondelle est légèrement concave, il est essentiel que le côté avec le plastique soit orienté vers le haut et en contact avec le fond de l'appareil. La rondelle étant en place, visser à fond la roulette sur l'appareil. Il n'est pas nécessaire de retirer le plastique de la rondelle.
- E. Les roulettes avant de l'appareil sont dotées de freins qui limitent les déplacements de l'appareil sans que le connecteur ou le raccord rapide ou sa tuyauterie n'interviennent pour limiter les mouvements de l'appareil.
- F. Notez qu'un dispositif de fixation est fixé à l'appareil et que s'il est nécessaire de détacher le dispositif de fixation, ne pas oublier de le rattacher une fois que l'appareil a été remis dans sa position d'installation d'origine.

### Bases De Meuble

Des options de base de meuble existent pour tous les modèles de rôtissoire. Les meubles sont prémontés au moment de la livraison, à l'exception de pieds ou roulettes.

### Montage De La Rôtissoire

#### Tiges De Grille En Acier

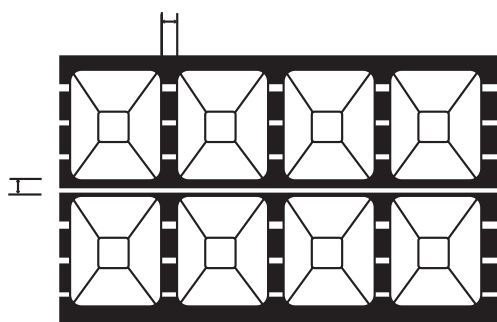
Chaque rôtissoire est livrée avec (14) tiges en acier d'une longueur de 15 po/381mm (18-BRL), 21 po/533mm (24-BRL), 26 po/660mm (30-BRL), 31 po/787mm (36-BRL) ou 2 ensembles de of 21 po/533mm (48-BRL). Ces tiges sont montées dans les rainures des supports, qui sont au-dessus des brûleurs.

# INSTALLATION (suite)

## Briquettes

Pour obtenir les meilleurs résultats de cuisson, il est recommandé d'installer la quantité correcte de briquettes dans la rôtissoire. Se reporter au tableau et au dessin ci-dessous pour la mise en place des briquettes. Une fois que toutes les briquettes ont été mises en place selon les instructions, mettre en place les sections de grille supérieure.

MODÈLE	18-BRL	24-BRL	30-BRL	36-BRL	48-BRL
Rangées d'avant en arrière	7	7	7	7	7
Rangées de gauche à droite	7	11	14	17	22



## Ventilation

Les notes suivantes sont prévues pour donner des conseils généraux. Pour des recommandations détaillées, référez-vous aux codes applicables dans le pays de destination. Ces appareils seront installés dans une chambre avec le ventilation suffisant d'empêcher l'occurrence des concentrations dangereuses des sous-produits de combustion.

Un bon système de ventilation est important pour des résultats satisfaisants et il est recommandé d'installer l'appareil sous une hotte à ventilation électrique.

Les codes locaux et/ou nationaux précisent si un système de ventilation doit être utilisé avec ce type d'équipement. Les renseignements suivants sont donnés à titre d'exemples de conceptions de systèmes de ventilation disponibles.

Deux types de base de ventilation électrique sont utilisés aujourd'hui. Un type est la hotte aspirante et l'autre est le système d'aspiration sous étagère. Le dernier offre une installation plus simple et des dépenses de nettoyage minimales. Les deux doivent être équipés de filtres ignifugés pour éliminer facilement les graisses.

Le ventilateur doit être relié à un conduit de taille convenable équipé d'un ventilateur d'aspiration capable d'évacuer un minimum de 325 pi<sup>3</sup>/mn d'air par pied carré de surface de rôtissoire.

# FONCTIONNEMENT

## Instructions D'apprêtage De La Crémaillère De Grille

Pour pouvoir utiliser longtemps l'appareil, il est impératif de « rôder » ou apprêter soigneusement la surface de cuisson de la façon suivante :

1. Éliminer tout produit de protection appliqué en usine en lavant avec de l'eau très chaude et un détergent doux ou une solution savonneuse. Rincer et sécher soigneusement.
2. Appliquer une fine couche d'huile d'olive ou d'une autre huile de cuisson sans sel de haute qualité sur la surface de cuisson. Essuyer tout excès.
3. Ouvrir tous les robinets à un réglage bas et laisser les crémaillères de grille chauffer lentement pendant trente (30) minutes. Laisser l'huile restant sur la surface de cuisson pendant trois (3) à quatre (4) minutes, puis essuyer.
4. Régler les robinets à la température de fonctionnement souhaitée et appliquer une seconde couche d'huile et la laisser pendant deux (2) à trois (3) minutes après que la crémaillère de grille ait atteint la température. Essuyer ensuite l'huile en excès.

Votre rôtissoire est prête à être utilisée.

NOTA : À moins que les aliments ne contiennent suffisamment de gras, les crémaillères de grille doivent être apprêtées avant chaque utilisation. Apprêter de nouveau après un nettoyage soigné de la surface de cuisson.

## Instructions d'allumage

### Modèles G(18,24,39,36,48)-BRL

1. Une veilleuse allume deux brûleurs et est placée entre ces brûleurs.

2. Appuyer plusieurs fois sur les boutons d'allumage rouges pour allumer les veilleuses.
3. Vérifier que les veilleuses sont allumées en regardant dans les trous de vérification des veilleuses à l'avant de l'appareil.

### Modèles GF(18, 24, 30, 36)-BRL

1. Enfoncer le bouton du robinet et le tourner dans le sens inverse des aiguilles d'une montre jusqu'à la position d'allumage.
2. En maintenant le robinet complètement enfoncé, appuyer sur le bouton de l'allumeur et vérifier que les veilleuses s'allument. Si la veilleuse ne s'allume pas, continuer d'appuyer sur le bouton de l'allumeur jusqu'à l'allumage de la veilleuse.
3. Une fois la veilleuse allumée, continuer de maintenir le bouton du robinet enfoncé pendant au moins 20 secondes, puis le relâcher. Si la veilleuse s'éteint, attendre cinq (5) minutes et recommencer la procédure.
4. Quand la veilleuse est bien allumée, appuyer de nouveau sur le bouton du robinet et le tourner dans le sens contraire des aiguilles d'une montre jusqu'à la position de flamme, ce qui allume le brûleur principal.
5. Pour obtenir une flamme basse ou pour mijoter, appuyer sur le bouton du robinet et le tourner jusqu'à la position de flamme basse.
6. Pour éteindre le brûleur, tourner le bouton du robinet jusqu'au symbole circulaire d'arrêt (« OFF »).

### L'extinction

1. Fermer tous les robinets de gaz.
2. Seulement si l'appareil doit être arrêté pour une longue période de temps, fermer le robinet de service en ligne (ce robinet n'est pas fourni par l'usine).



# ENTRETIEN ET NETTOYAGE

## Nettoyage des crémaillères de grille

Établir un calendrier de nettoyage régulier. Il est nécessaire d'éviter toute obstruction et de permettre une combustion et un rendement corrects.

1. Les crémaillères de grille doivent être essuyées chaque jour pendant qu'elles sont encore chaudes, avec un torchon épais ou un autre matériau absorbant la graisse afin d'éliminer la graisse et les aliments brûlés avant qu'ils ne brûlent dans la grille. Éliminer les produits brûlés comme la graisse ou les aliments carbonisés avec une brosse métallique dure. Ne pas utiliser de laine d'acier. Les petites particules peuvent être laissées sur la surface de la grille et pénétrer dans les produits alimentaires.
2. Les crémaillères de grille doivent être lavées soigneusement avec une brosse métallique et une solution très chaude de détergent doux ou de savon. Rincer à l'eau claire chaude.
3. Bien sécher.
4. Apprêter de nouveau les crémaillères de grille comme indiqué dans les instructions d'apprêtage.
5. Vider fréquemment les plateaux à graisse et les laver chaque jour dans une solution très chaude de détergent doux ou de savon.
6. Ne pas gaspiller de gaz ni abîmer l'équipement en laissant les robinets réglés sur des températures élevés quand l'appareil n'est pas utilisé. Pendant les périodes d'attente, régler les robinets sur le réglage de température basse afin de maintenir les grilles chaudes. Modifier le réglage des robinets selon besoin pendant les périodes de forte activité. Tourner les robinets sur OFF à la fin de la journée.

7. Quand le gril fonctionne, ne jamais utiliser d'objets comme des plateaux pour couvrir le gril afin de concentrer la chaleur pour brûler la graisse ou d'autres débris.

## Nettoyage Du Fini Extérieur

Établir un calendrier régulier. Les déversements devront être essuyés immédiatement.

1. Essuyer la surface nettoyable exposée quand elle est froide avec de l'eau chaude et un détergent doux. Les résidus rebelles peuvent être éliminés avec un tampon à récurer non métallique. Bien essuyer avec un chiffon propre.
2. L'acier inoxydable devra être nettoyé avec un détergent doux, un chiffon doux et de l'eau chaude. S'il est nécessaire d'utiliser un tampon à récurer non métallique, toujours frotter dans le sens du grain du métal pour éviter de rayer. Utiliser un produit de nettoyage pour acier inoxydable à base d'eau (comme Drackett Twinkle), si vous voulez obtenir un brillant superbe.
3. Les éclaboussures sur les côtés ou la table de cuisson principale de la rôtissoire peuvent être nettoyées avec de l'eau très chaude et une solution savonneuse; on peut aussi utiliser un produit dégraissant. Pour faciliter le nettoyage, il est possible de retirer la table de cuisson principale. Pour cela, soulever d'abord et retirer toutes les grilles, puis retirer la table de cuisson en la soulevant. Une fois le nettoyage terminé, sécher soigneusement et appliquer une fine couche d'huile de cuisson ou pulvériser de l'huile de cuisson comme celle de marque PAM. En l'absence d'huile, il se formera de la rouille.





## MANUAL DE INSTALACIÓN Y OPERACIÓN

### PARRILAS GARLAND SERIES G-BRL Y GF-BRL



Sólo las parrillas eléctricas serie GF han sido aprobadas por la CE



Incluye Los Modelos: G18-BRL, G24-BRL, G30-BRL, G36-BRL, G48-BRL, GF18-BRL, GF24-BRL, GF30-BRL Y GF36-BRL

**PARA SU SEGURIDAD:**  
NO ALMACENE O UTILICE GASOLINA U OTROS VAPORES O LÍQUIDOS INFLAMABLES EN LAS CERCANÍAS DE ESTE O CUALQUIER OTRO ARTEFACTO.

**ADVERTENCIA:**  
MODIFICACIÓN, SERVICIO O MANTENIMIENTO INCORRECTO PUEDEN OCASIONAR DAÑOS A LA PROPIEDAD, LESIONES O LA MUERTE. LÉASE MINUCIOSAMENTE LAS INSTRUCCIONES DE INSTALACIÓN, OPERACIÓN Y MANTENIMIENTO ANTES DE INSTALAR O DAR MANTENIMIENTO A ESTE EQUIPO

LEA TODAS LAS SECCIONES DE ESTE MANUAL Y GUÁRDELO PARA FUTURAS CONSULTAS.

ESTE PRODUCTO HA SIDO CERTIFICADO COMO EQUIPO DE COCINA COMERCIAL Y DEBE SER INSTALADO POR PERSONAL PROFESIONAL SEGÚN LO ESPECIFICADO.

EN EL COMMONWEALTH DE MASSACHUSETTS ESTE PRODUCTO DEBE SER INSTALADO POR UN PLOMERO O INSTALADOR DE APARATOS DE GAS CON LICENCIA.

Para su seguridad:  
Coloque en una ubicación prominente las instrucciones a seguirse en caso de que el usuario huelga gas. Esta información se obtendrá consultando a su proveedor de gas local.

A los usuarios se les advierte que el mantenimiento y las reparaciones deben ser realizados por un agente de servicio autorizado de Garland que utilice repuestos genuinos de Garland. Garland no tendrá ninguna obligación con respecto a cualquier producto que haya sido incorrectamente instalado, ajustado, operado o no mantenido de acuerdo con los códigos nacionales y locales o las instrucciones de instalación provistas con el producto, o cualquier producto al que se le haya desfigurado, borrado o quitado su número de serie, o que ha sido modificado o reparado utilizando repuestos no autorizados o por agentes de servicio no autorizados. Para una lista de agentes de servicio autorizados, por favor consulte el sitio Web de Garland en <http://www.garland-group.com>. La información contenida aquí, (incluso el diseño y las especificaciones de partes), puede ser reemplazada y esta sujeta a cambios sin previo aviso.

GARLAND COMMERCIAL INDUSTRIES, LLC  
185 East South Street  
Freeland, Pennsylvania 18224  
Teléfono: (570) 636-1000  
Fax: (570) 636-3903

GARLAND COMMERCIAL RANGES, LTD.  
1177 Kamato Road, Mississauga, Ontario L4W 1X4  
CANADÁ  
Teléfono: 905-624-0260  
Fax: 905-624-5669

## **INFORMACIÓN IMPORTANTE**

### **ADVERTENCIA:**

**Este producto contiene sustancias químicas que el Estado de California las conoce como causantes de cáncer y/o defectos de nacimiento u otros daños reproductivos. La instalación y el mantenimiento de este producto podrían exponerle a partículas aerotransportadas de lana de vidrio / fibras de cerámica. Es un hecho conocido por el Estado de California que la inhalación de partículas aerotransportadas de la lana de vidrio / fibras de cerámica causan cáncer. La operación de este producto podría exponerle al monóxido de carbono si no está debidamente ajustado. Es un hecho conocido por el Estado de California que la inhalación de monóxido de carbono causa defectos de nacimiento u otros daños reproductivos.**

**Mantenga la zona del artefacto libre y alejada de combustibles.**

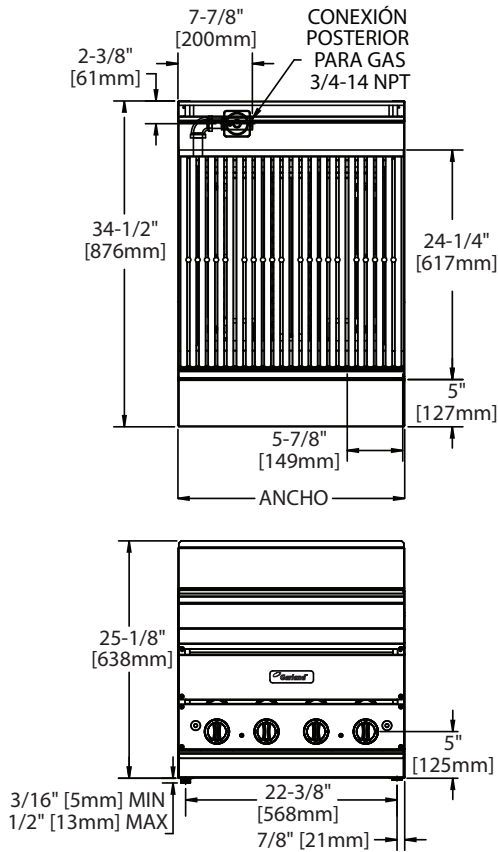
# TABLA DE CONTENIDO

<b>INFORMACIÓN IMPORTANTE .....</b>	<b>28</b>
<b>DIMENSIONES Y ESPECIFICACIONES – PARRILLAS .....</b>	<b>30</b>
Mercados de América del Norte e Internacional General .....	30
Mercado Australiano .....	30
Modelos aprobados por la CE .....	31
Ajustes De Presión /Tamaño Del Inyector .....	31
Capacidad Térmica .....	31
Tamaño De La Alimentación De Gas .....	31
Categorías De Gas De La Serie GF Aprobada Por La CE .....	31
Aproxime Los Grados Totales De La Entrada Con Todas Las Hornillas Que Funcionan En El PUNTO BAJO: .....	31
<b>DIMENSIONES Y ESPECIFICACIONES – SOPORTES .....</b>	<b>32</b>
<b>PREINSTALACIÓN .....</b>	<b>33</b>
Desembalaje .....	33
Información Sobre Seguridad .....	33
<b>INSTALACIÓN.....</b>	<b>33</b>
Ubicación De La Placa De Características .....	33
Regulaciones Estatutarias .....	33
Cláusula Específica Para Australia .....	34
Suministro De Gas .....	34
Conexiones De Gas .....	34
Instalaciones De La Línea De Mesada .....	34
Ubicación .....	34
Sellado Sanitario De La Mesada .....	35
Instalación De Las Patas .....	35
Instalación De Los Soportes De La Mesada .....	35
Instalación De Las Unidades Equipadas Con Ruedas Locas. ....	36
Bases Del Gabinete .....	36
Armado De La Parrilla .....	37
Ventilación .....	37
<b>OPERACIÓN .....</b>	<b>38</b>
Instrucciones De Curado De La Rejilla .....	38
Instrucciones De Encendido .....	38
<b>LIMPIEZA Y MANTENIMIENTO .....</b>	<b>39</b>
Limpieza De Las Rejillas Asadoras.....	39
Limpieza De La Cubierta Exterior .....	39

# DIMENSIONES Y ESPECIFICACIONES – PARRILLAS

Dimensiones del producto y especificaciones de transporte						América del Norte y CE <sup>1</sup> Entradas		
Modelo	Ancho	Peso Sin Las Patas	Profundidad	Transporte		Cantidad De Quemadores	Potencia Total De Entrada	
				lbs/kg	Cu Ft		BTU/Hr	kW/Hr
G18-BRL	18" (457mm)	25-1/8" (636mm)	34-1/2" (876mm)	190/86	21	3	45,000	13.2
G24-BRL	24" (610mm)	25-1/8" (636mm)	34-1/2" (876mm)	240/109	21	4	60,000	17.6
G30-BRL	30" (762mm)	25-1/8" (636mm)	34-1/2" (876mm)	290/131	29.5	5	75,000	22
G36-BRL	36" (914mm)	25-1/8" (636mm)	34-1/2" (876mm)	340/154	29.5	6	90,000	26.4
G48-BRL	48" (1219mm)	25-1/8" (636mm)	34-1/2" (876mm)	375/170	37	8	120,000	35.2
<sup>1</sup> GF18-BRL	18" (457mm)	25-1/8" (636mm)	34-1/2" (876mm)	190/86	21	3	45,000	12.0
<sup>1</sup> GF24-BRL	24" (610mm)	25-1/8" (636mm)	34-1/2" (876mm)	240/109	21	4	60,000	16.0
<sup>1</sup> GF30-BRL	30" (762mm)	25-1/8" (636mm)	34-1/2" (876mm)	290/131	29.5	5	75,000	20.0
<sup>1</sup> GF36-BRL	36" (914mm)	25-1/8" (636mm)	34-1/2" (876mm)	340/154	29.5	6	90,000	24.0

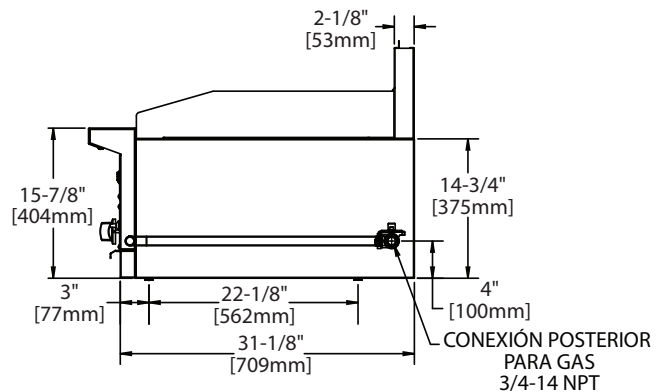
**<sup>1</sup>NOTA: Sólo las parrillas serie GF con interruptor de llama están aprobadas por la CE.**



## Modelos G-BRL

Exclusivamente para uso en lugares no inflamables.

Separaciones De La Instalación De Los Materiales No Inflamables (todos los modelos)	
Parte Posterior	Laterales
0"	0"



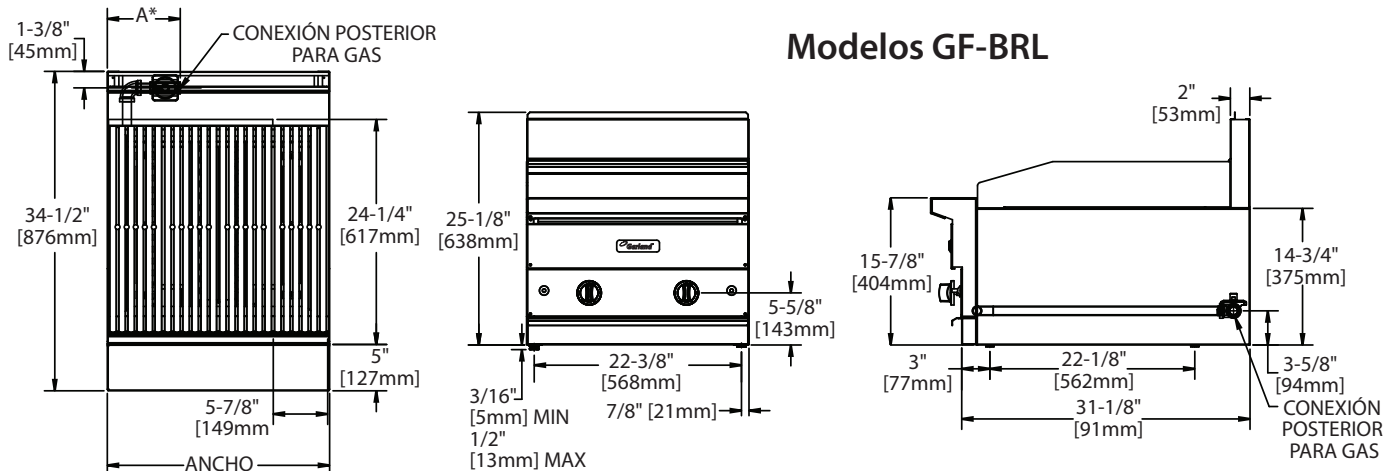
## Mercados de América del Norte e Internacional General

Presión De Funcionamiento Del Distribuidor			
Natural (G20)	4.5" cda (11.2mbar)	LPG (G31)	10" cda (24.9mbar)

## Mercado Australiano

Presión De Funcionamiento Del Distribuidor			
Natural 4" cda (1.0kPa)		LPG 10" cda (2.49 kpa)	
Entrada Por Quemador			
MJ/H	Diám. Del Inyector	MJ/H	Diám. Del Inyector
15.8	1.9 mm	15.8	1.1 mm

# DIMENSIONES Y ESPECIFICACIONES – PARRILLAS continuación



\*Para las unidades equipadas con regulador, la dimensión "A" es 7-7/8" (200 mm) con una conexión de 3/4" – 14 NPT. Las unidades europeas (CE) no están provistas de regulador, pero incluyen un adaptador 3/4" – 14 BSPT.

## Modelos aprobados por la CE

### Ajustes De Presión /Tamaño Del Inyector

MODELO	2da. Familia, Grupos H, L y E						3ra. Familia, Grupo 3P			
	Ajuste De La Presión				Tamaño Del Inyector		Ajuste De La Presión		Tamaño Del Inyector	
	Entrada G20 @ 20 mbar		Entrada G25 @ 25 mbar				Entrada G31 @ 37/50 mbar			
	mbar	"WC	mbar	"WC	DMS	mm	mbar	"WC	DMS	mm
GF18-BRL	11.2	4.5	14.9	6	50	1.78	24.9	10	58	1.07
GF24-BRL	11.2	4.5	14.9	6	50	1.78	24.9	10	58	1.07
GF30-BRL	11.2	4.5	14.9	6	50	1.78	24.9	10	58	1.07
GF36-BRL	11.2	4.5	14.9	6	50	1.78	24.9	10	58	1.07

### Capacidad Térmica

MODELO	2da. Familia, Grupos H, y E		2da. Familia, Grupo L		3ra. Familia, Grupo 3P		No. De Quemadores
	(G20 @ 20/25 mbar) NAT		(G25 @ 25 mbar) NAT		(G31 @ 37/50 mbar) PROPANO		
	Por Quemador / Total		Por Quemador / Total		Por Quemador / Total		
	kW	BTU/HR	kW	BTU/HR	kW	BTU/HR	
GF18-BRL	4.0 / 12.0	15,000 / 45,000	4.0 / 12.0	15,000 / 45,000	4.0 / 12.0	15,000 / 45,000	3
GF24-BRL	4.0 / 16.0	15,000 / 60,000	4.0 / 16.0	15,000 / 60,000	4.0 / 16.0	15,000 / 60,000	4
GF30-BRL	4.0 / 20.0	15,000 / 75,000	4.0 / 20.0	15,000 / 75,000	4.0 / 20.0	15,000 / 75,000	5
GF36-BRL	4.0 / 24.0	15,000 / 90,000	4.0 / 24.0	15,000 / 90,000	4.0 / 24.0	15,000 / 90,000	6

### Tamaño De La Alimentación De Gas

Anchura Del Modelo	Conexión	Conexión De Los Modelos Para La CE (ISO7-1)
23-5/8" (600mm) & 35-1/2" (900mm)	3/4" NPT Rear Gas Connection	3/4" (19.1mm) BSPT

### Categorías De Gas De La Serie GF Aprobada Por La CE

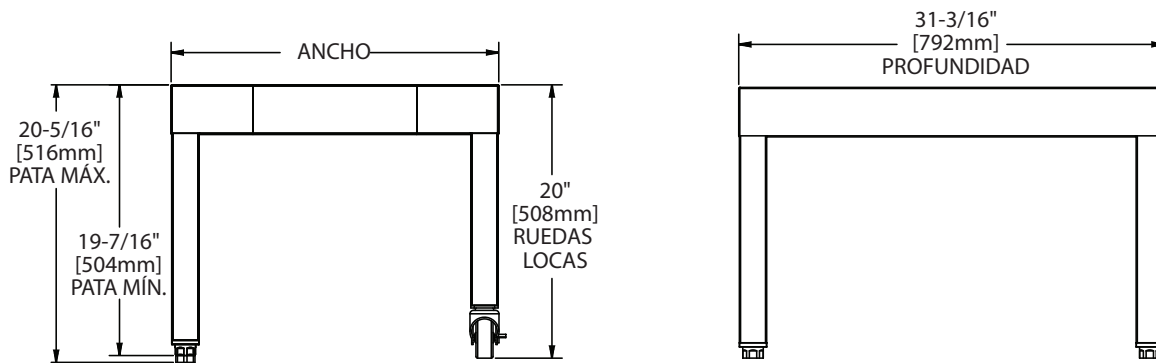
País	Categoría De Gas	Tipo De Gas	Presión (mbar)
GB, IE, ES, PT, GR	I2H	G20	20
BE, FR	I2E+	G20	20/25
DE	I2E	G20	20
GB, IE, ES, PT, BE, FR	I3P	G31	37
GB, FR, NL, DE, ES	I3P	G31	50
NL	I3P	G31	30

### Aproxime Los Grados Totales De La Entrada Con Todas Las Hornillas Que Funcionan En El PUNTO BAJO:

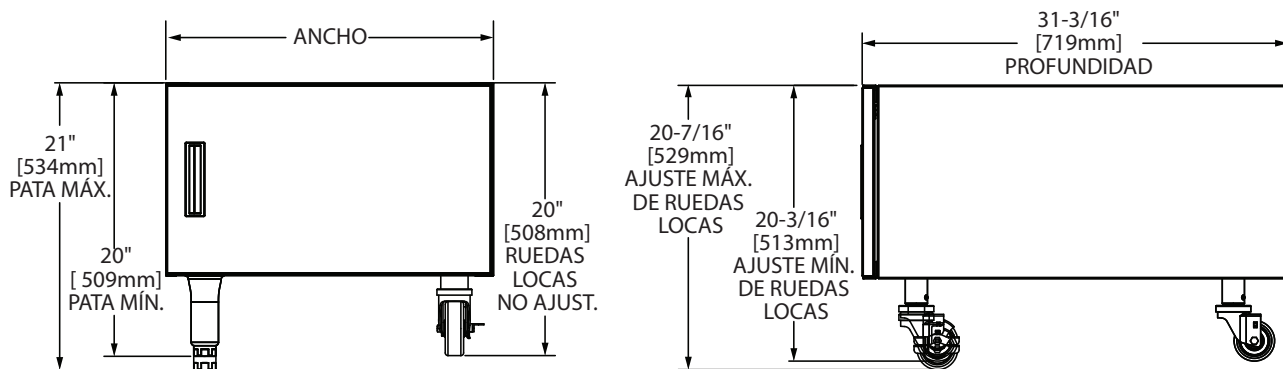
	kW	BTU/HR
GF18-BRL	4.5	16,875
GF24-BRL	6.0	22,500
GF30-BRL	7.5	28,125
GF36-BRL	9.0	33,750

# DIMENSIONES Y ESPECIFICACIONES – SOPORTES

Número De Modelo	Descripción	Se Usa Con Modelo De Parrilla	Pies Cúbicos	Peso Para Transporte Lb/ Kg
G18-BRL-STD	Soporte Para Piso De 18" (457mm) De Ancho	G18-BRL & GF18-BRL	4.5	30/14
G24-BRL-STD	Soporte Para Piso De 24" (610mm) De Ancho	G24-BRL & GF24-BRL	4.5	40/18
G30-BRL-STD	Soporte Para Piso De 30" (762mm) De Ancho	G30-BRL & GF30-BRL	4.5	50/23
G36-BRL-STD	Soporte Para Piso De 36" (914mm) De Ancho	G36-BRL & GF36-BRL	4.5	55/25
G48-BRL-STD	Soporte Para Piso De 48" (1219mm) De Ancho	G48-BRL	5.5	58/26
G18-BRL-CAB	Gabinete Cerrado De 18" (457mm) De Ancho	G18-BRL & GF18-BRL	21	40/18
G24-BRL-CAB	Gabinete Cerrado De 24" (610mm) De Ancho	G24-BRL & GF24-BRL	21	45/20
G30-BRL-CAB	Gabinete Cerrado De 30" (762mm) De Ancho	G30-BRL & GF30-BRL	29.5	50/23
G36-BRL-CAB	Gabinete Cerrado De 36" (914mm) De Ancho	G36-BRL & GF36-BRL	29.5	60/27
G48-BRL-CAB	Gabinete Cerrado De 48" (1219mm) De Ancho	G48-BRL	37	65/29.5



G24-BRL-STD



G24-BRL-CAB

- Muchos códigos locales existen, y es la responsabilidad del dueño y del instalador conformarse con esos códigos.
- Garland se reserva del derecho de cambiar o de mejorar las especificaciones del producto sin aviso.
- Los productos de Garland no están aprobados o autorizados para uso doméstico o residencial, y han sido concebidos exclusivamente para aplicaciones comerciales. Garland no proporcionará servicio, garantía, mantenimiento o apoyo de ningún tipo a aplicaciones que no sean comerciales.



# PREINSTALACIÓN

## Desembalaje

GARLAND strongly recommends this unit be inspected for possible freight damage while carrier driver is on site.

1. Quite el cartón. En caso de daño, se debe conservar todo el material de embalaje para que sea verificado por el transportista.
2. Inspeccione cuidadosamente la parrilla para detectar señales de daño físico, como por ejemplo ralladuras, abolladuras y perillas faltantes.
3. Ante la presencia del conductor que transportó el equipo, deje constancia del daño en el comprobante de envío. Comuníquese con el transportista para que verifique los daños.

Si usted controla el equipo una vez que se ha retirado el transportista, cuenta con aproximadamente quince (15) días para solicitar que un representante del transportista inspeccione el daño producido durante el traslado.

Si se presenta un reclamo por daños ocultos al transportista, con posterioridad a los 15 días, GARLAND no se hará responsable y el transportista deberá solicitar al destinatario que presente prueba razonable que demuestre que el transportista cometió la falla.

## Información Sobre Seguridad

**PRECAUCIÓN:** Las partes externas pueden recalentarse durante el uso. Mantener fuera del alcance de los niños.

Esta aplicación está para uso profesional y se debe utilizar solamente por los personales calificados.

Este artefacto no está preparado para el uso de personas (incluidos niños) con capacidades físicas, sensoriales o mentales reducidas o con falta de experiencia o conocimientos, excepto que hubieran sido capacitadas o supervisadas sobre el uso del artefacto por una persona responsable de su seguridad.

# INSTALACIÓN

Al escribir a la fábrica o al centro local autorizado de servicio de fábrica respecto a repuestos o a problemas de mantenimiento, asegúrese de referirse a la unidad particular mediante el número de modelo correcto (incluso las letras y números de prefijo y sufijo) y el número de serie de la garantía. La placa de características contiene dicha información.

Sugerimos que la instalación, el mantenimiento y las reparaciones sean realizadas por una agencia de servicio local autorizada, según se detalla en su manual informativo.

En caso de que tenga cualquier duda acerca de la instalación, uso, cuidado o servicio del producto, escriba o llame a nuestro Departamento de Servicio a los Productos.

Este producto debe ser instalado por personal profesional, tal como se especifica. Los productos Garland/U.S. Range no están aprobados ni autorizados para uso doméstico o residencial; sólo están destinados a uso comercial. Garland / U.S. Range no brindará asistencia técnica, garantía y mantenimiento o soporte de ningún tipo que no fueran para aplicaciones de uso comercial.

## Ubicación De La Placa De Características

La placa de características se encuentra ubicada al retirar la bandeja colectora de grasa, sobre el lado izquierdo del soporte de la bandeja desplegable para recolección de grasa.

## Regulaciones Estatutarias

La instalación de este artefacto debe ser realizada por una persona competente y de acuerdo con las regulaciones pertinentes, los códigos de práctica y las publicaciones relacionadas del país de destino.

En los países europeos, la instalación debe ser realizada por una persona competente y de acuerdo con las regulaciones, los códigos de prácticas y las publicaciones relacionadas relevantes del país de destino.

En los Estados Unidos de América, la instalación debe cumplir con el Código de Gas Combustible Nacional ANSI Z223.1, o la última edición, NFPA N° 54, la última edición o el código local para garantizar una operación segura y eficiente. En Canadá, la instalación debe cumplir con CSA B149.1 y los códigos locales.

# INSTALACIÓN continuación

## Cláusula Específica Para Australia

Este artefacto debe ser instalado de acuerdo con las instrucciones del fabricante, las regulaciones locales referentes a las conexiones de gas y los requisitos del código de instalación AS 5601/AG 601. Todos los ajustes y configuraciones del quemador deben ser ejecutados por un gasista matriculado.

## Suministro De Gas

- A. El tipo de gas para el cual la unidad está equipada está estampado en la placa de características ubicado en el panel delantero inferior; simplemente saque la bandeja de goteo para acceder a ella fácilmente. Conecte una unidad estampada "NAT" únicamente a gas natural; conecte aquellas estampadas "PRO" únicamente a gas propano.
- B. Si esta es una instalación nueva, solicítele a las autoridades de gas que comprueben el tamaño del medidor y de la tubería para asegurarse de que la unidad sea suministrada con la presión de gas requerida para hacer funcionar la unidad.
- C. Si éste es un equipo adicional o un reemplazo, solicítele a un técnico de gas calificado que compruebe la presión de gas para asegurarse de que las instalaciones de gas existentes (tubería del medidor, etc.) suministrarán el gas a la unidad con una caída de presión no mayor de 1/2 pulgada de columna de agua. Al comprobar la presión, asegúrese de que todos los demás equipos en la misma línea de gas estén funcionando.

NOTA: al comprobar la presión, asegúrese de que todos los demás equipos en la misma línea de gas estén funcionando. Si la parrilla está provista de un regulador, éste se ha preconfigurado para cumplir con las especificaciones indicadas en la placa de características de la unidad. Todas las unidades requieren reguladores y deben ajustarse a las especificaciones del fabricante.

- D. El artefacto y su válvula de cierre individual deben desconectarse del sistema de tubería de suministro de gas durante cualquier prueba de presión de dicho sistema a presiones superiores a 1/2" psi (3.45 kPa).
- E. La conexión al suministro de gas se realiza en el extremo inferior izquierdo de la esquina trasera de la unidad. Un tipo aprobado de válvula manual fácilmente accesible deberá ser instalada en cada línea de abastecimiento. Compruebe que no existan fugas - NO UTILICE UNA LLAMA ABIERTA.

- F. Una toma para la medición de presión es suministrada con las unidades y está instalada en el tubo distribuidor. Debe retirarse la bandeja de goteo para usar la toma de medición de presión. La presión de gas debe ser comprobada cuando la unidad quede instalada, para asegurarse de que la presión de gas de la unidad sea la misma que la especificada en la placa de características. Si fuese necesario, la presión deberá ajustarse con el regulador de presión suministrado.
- G. Si es una instalación completamente nueva, un gasista matriculado debe instalar y verificar las líneas de gas, la tubería del medidor y la tubería general.
- H. Asegúrese de que las tuberías, uniones y conexiones nuevas han sido instaladas de manera limpia y que han sido purgadas, de modo que ningún compuesto de tubería, rebabas, etc., obstruya los pilotos, válvulas y/o controles. Utilice un sellador de uniones de tubos que sea resistente al gas licuado de petróleo.

**ADVERTENCIA** Revise que las conexiones de gas no tengan fugas. Use una solución de jabón o medios similares. **¡No use una llama abierta!**

## Conexiones De Gas

Todas las parrillas tienen conexiones posteriores de gas de 3/4" NPT o 3/4"-14NPT. Los modelos CE poseen una rosca de 3/4"-14 NPT que incluye un adaptador.

NOTA: Se debe brindar la separación adecuada para reparaciones y el correcto funcionamiento del artefacto.

## Instalaciones De La Línea De Mesada

### Ubicación

Desembale las unidades cuidadosamente y brinde el espacio necesario sobre el anaquel o la barra posterior. Todas las unidades se deben instalar en áreas no inflamables.

- A. La unidad debe ubicarse en un área que disponga de renovación de aire para permitir una combustión adecuada. La renovación de aire se debe producir de manera tal que circule por delante de la unidad. No obstruya el flujo de aire frontal.
- B. Según el funcionamiento estándar de artefactos de gas, la unidad deberá ubicarse debajo de una campana de ventilación de dimensión y capacidad apropiadas. Consulte las instrucciones para ventilación.

# INSTALACIÓN continuación

## Sellado Sanitario De La Mesada

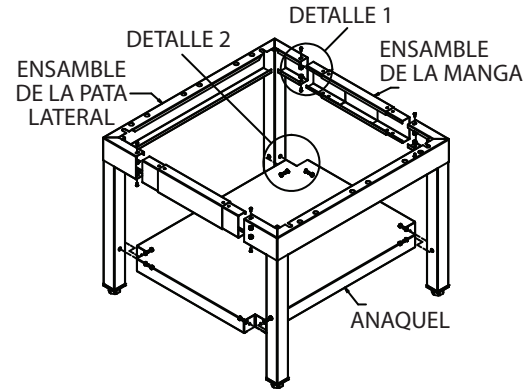
Cuando la parrilla esté instalada sobre una mesada, la Fundación Nacional de Sanidad (NSF, por sus siglas en inglés) recomienda que esté sellada según las normas de NSF y de acuerdo con las siguientes instrucciones:

1. La unidad debe estar ubicada sobre una superficie no inflamable y nivelada.
2. Limpie a fondo el perímetro inferior de la parrilla y la mesada que se encuentra alrededor de la base de la parrilla.
3. Aplique una capa abundante de sellador de siliconas alrededor de todo el perímetro externo de la base de la parrilla.
4. La parrilla puede estar sujeta a la mesada mediante pernos de 3/8 pulgadas de diámetro a través de la mesada, desde la base, (a través de orificios previamente taladrados de 1/2" de diámetro), y acoplándolos con la tuerca que se encuentra en la base de la unidad.
5. Empareje el sellador de silicona con el dedo o con una herramienta para brindar un sellado completo.

## Instalación De Las Patas

1. Todas las unidades se entregan con patas aprobadas por la N.S.F. Deben instalarse estas patas para brindar una separación mínima de cuatro (4) pulgadas entre la mesada y la base de la unidad, a fin de poder cumplir con los requisitos de la Fundación Nacional de Sanidad.
2. Al utilizar las patas anteriormente descritas, eleve la parte frontal de la unidad y enrosque la pata en la tuerca de retención que se suministra en cada esquina de la unidad; repita el procedimiento en la parte posterior.
3. La unidad se puede nivelar ajustando las patas. Utilice un nivel de burbuja de aire y nivele la unidad (mediante las rejillas asadoras) de cuatro (4) maneras: a través de la parte frontal y posterior y por debajo de los laterales.

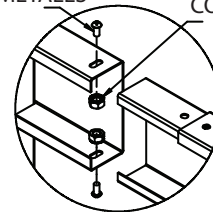
## Instalación De Los Soportes De La Mesada



1. Deslice el ensamble de la pata lateral dentro del ensamble de la manga y fíjelo con un tornillo y una tuerca en 8 sitios (2 por unión) como se muestra en el detalle 1.

10-24 X 3/8"  
TORNILLO  
PARA METALES

10-24  
CONTRATUERCA

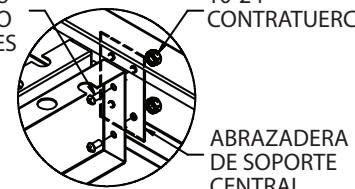


DETALLE 1

2. Coloque la abrazadera del soporte central dentro del ensamble de la manga. Monte el soporte central a la abrazadera de soporte con 2 tornillos y tuercas (detalle 2). Repita lo mismo para el otro lado. Los ensambles de la manga deberán estar intercalados entre el apoyo central y la abrazadera de soporte central. Repita lo mismo para el otro apoyo central.

10-24 X 3/8"  
TORNILLO  
PARA METALES

10-24  
CONTRATUERCA

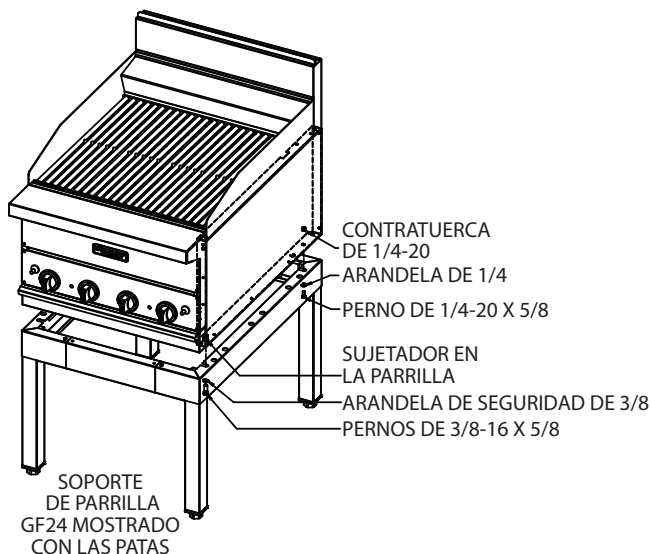


DETALLE 2

# INSTALACIÓN continuación

3. Antes de colocar la unidad en el soporte:
  - a. Quite los pies de nivelación de la unidad.
  - b. Quite las rejillas/varillas/quemadores etc. para aligerar la unidad y entre varias personas levántenla y colóquenla sobre el soporte.
4. Fijar la parrilla al soporte por la parte de atrás con (2) pernos de 1/4", arandelas y contratuercas como se indica. (Un juego para cada esquina.)

NOTA: para las parrillas de 48" hay (4) puntos de montaje en la parte posterior.



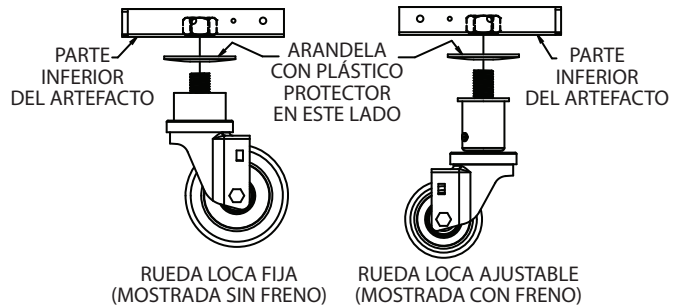
5. En parte delantera, fije la parrilla al soporte con (2) pernos de 3/8" y arandelas de seguridad como se indica. Atornille con la rosca dentro de los sujetadores fijados a la parte inferior de la parrilla (uno para cada esquina).

NOTA: para las parrillas de 48" hay (4) puntos de montaje en la parte posterior.

## Instalación De Las Unidades Equipadas Con Ruedas Locas

- A. La instalación será hecha con un conector que cumpla con la norma para "Conectores para artefactos de gas móviles", ANSI Z21.69/CSA 6.16, Apéndices Z21.69B-2006/CSA 6.16B-2006 (o última edición), y un dispositivo de desconexión rápida que cumpla con la norma para "Desconectores rápidos para uso con combustible de gas", ANSI Z21.41/CSA 6.9, Apéndices Z21.41A-2005/CSA 6.16A-2005 (o última edición).

- B. Levante la parte delantera del artefacto y coloque un bloque. No coloque el artefacto sobre su espalda.
- C. La rueda loca está roscada para poder atornillarla fácilmente dentro de los agujeros proporcionados en la parte inferior de la cocina. Es importante añadir las arandelas suministradas para ayudar a distribuir la fuerza sobre la cocina al moverla.



- D. Coloque la arandela en el vástago de la rueda loca como se indica. Puesto que la arandela es ligeramente ahuecada, es crítico que el lado con el plástico dé hacia arriba y se acople con el fondo del artefacto. Con la arandela en su sitio, atornille la rueda loca al artefacto de manera que quede bien apretada. No es necesario quitar el plástico de la arandela.
- E. Las ruedas locas delanteras del artefacto están equipadas con frenos para limitar el movimiento del artefacto sin colocar ninguna tensión sobre el conector o el dispositivo de desconexión rápida o la tubería asociada a los mismos.
- F. Debe estar consciente de que el dispositivo de restricción requerido está fijado a un agujero cortado en el panel lateral, y si fuese necesaria la desconexión de dicha restricción, asegúrese de conectar de nuevo el dispositivo una vez que el artefacto haya sido devuelto a su posición original.

## Bases Del Gabinete

Las opciones de base de gabinete se encuentran disponibles para todos los modelos de parrillas. Los gabinetes se entregan prearmados, excepto las patas o las ruedas locas.

# INSTALACIÓN continuación

## Armado De La Parrilla

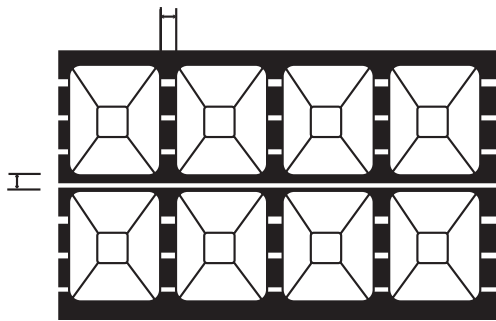
### Varillas De La Rejilla De Acero

Cada parrilla está provista de (14) 15"/381 mm, (18-BRL), 21"/533 mm, (24-BRL), 26"/660 mm, (30-BRL), 31"/787 mm, (36-BRL) o 2 juegos de varillas largas de acero de 21"/533 mm (48-BRL). Estas varillas se instalarán en las rejillas sobre las ménsulas de soporte que se encuentran sobre los quemadores.

### Briquetas

Para una mejor cocción, se recomienda colocar la cantidad adecuada de briquetas en la parrilla. Para obtener mayor información acerca de la disposición de las briquetas, consulte la tabla y el dibujo que aparecen más abajo. Cuando se hayan colocado todas las briquetas según las instrucciones, instale las partes superiores de la rejilla.

MODELO	18-BRL	24-BRL	30-BRL	36-BRL	48-BRL
Filas de adelante hacia atrás	7	7	7	7	7
Filas de izquierda a derecha	7	11	14	17	22



## Ventilación

Las notas siguientes se piensan para dar la dirección general. Para las recomendaciones detalladas, refiera a los códigos aplicables en el país de la destinación. Estas aplicaciones serán instaladas en un cuarto con el suficiente ventialtion de prevenir la ocurrencia de concentraciones peligrosas de subproductos de la combustión.

Es importante contar con un buen sistema de ventilación para lograr un funcionamiento satisfactorio; se recomienda instalar la parrilla debajo de una campana eléctrica de cocina.

Los Códigos locales y/o nacionales exigen que este tipo de equipos utilice un sistema de ventilación. La siguiente información describe ejemplos de sistemas de ventilación disponibles.

Actualmente se utilizan dos tipos básicos de ventilación eléctrica. Uno de estos tipos es la cúpula o campana alta y el otro es el sistema de escape debajo del anaquel. Este último es más fácil de instalar y tiene un menor costo de limpieza. Ambos requieren filtros a prueba de llamas para una fácil remoción de la grasa.

El ventilador se debe conectar a un conducto de tamaño apropiado con un soplador capaz de remover un mínimo de 325 pies cúbicos por minuto de aire por pie cuadrado de la superficie de la parrilla.

# OPERACIÓN

## Instrucciones De Curado De La Rejilla

Para garantizar la vida útil y el funcionamiento de la unidad, es imprescindible que la superficie de cocción sea curada de la siguiente manera:

1. Quite todo material protector aplicado en la fábrica mediante agua caliente y detergente suave o una solución jabonosa. Enjuague y seque a fondo.
2. Aplique una capa fina de aceite de oliva, u otro aceite de cocina de alta graduación sin sal, a la superficie de cocción. Limpie el excedente con un paño.
3. Coloque todas las válvulas en un ajuste bajo y deje que las rejillas asadoras se calienten lentamente durante treinta (30) minutos. Deje que el aceite permanezca en la superficie de cocción durante tres (3) a cuatro (4) minutos y luego limpie con un paño.
4. Reajuste las válvulas a la temperatura de funcionamiento deseada y aplique una segunda capa de aceite; deje actuar durante dos (2) o tres (3) minutos luego de que la rejilla asadora alcance la temperatura. A continuación, limpie el excedente con un paño.

Ahora su parrilla está lista para usar.

NOTA: Excepto que los productos contengan suficiente grasa, las rejillas asadoras se deben curar antes de cada uso. Repita el curado luego de una limpieza a fondo de la superficie de cocción.

## Instrucciones De Encendido

### Modelos G(18,24,39,36,48)-BRL

1. Un piloto sirve para dos quemadores y se encuentra ubicado entre estos quemadores.

2. Presione el botón chispero varias veces para encender los quemadores del piloto.
3. Asegúrese de que los pilotos estén encendidos observando a través del orificio visor del piloto en la parte frontal de la unidad.

### Modelos GF(18,24,30.36)-BRL

1. Presione la perilla de la válvula y gire en sentido contrario a las agujas del reloj hasta la posición de encendido.
2. Mientras sostiene presionada totalmente la perilla, pulse el botón de encendido y confirme visualmente que las luces del piloto están encendidas. Si el piloto no enciende, presione varias veces el botón de encendido hasta que se logre encender.
3. Una vez que el piloto está encendido, siga presionando la perilla de la válvula por lo menos 20 segundos y luego suéltela. Si el piloto se apaga, espere cinco (5) minutos y luego repita el procedimiento.
4. Cuando el piloto esté estabilizado, presione nuevamente la perilla de la válvula y gírela en sentido contrario a las agujas del reloj hasta la posición de llama máxima, encendiendo el quemador principal.
5. Para una llama baja o para hervir a fuego lento, presione la perilla de la válvula y gírela a la posición de llama baja.
6. Para apagar el quemador, presione y gire la perilla de la válvula hasta el símbolo circular "OFF" (apagado).

### Apagado

1. Gire todas las válvulas a la posición "OFF" (apagado).
2. Si la unidad se va a mantener apagada durante un largo período de tiempo, cierre la válvula de gas en la línea de suministro a la posición "OFF" (apagado), (esta válvula no es suministrada de fábrica).

# LIMPIEZA Y MANTENIMIENTO

## Limpeza De Las Rejillas Asadoras

Establezca un programa de limpieza regular. Es necesario evitar las obstrucciones y permitir la combustión y desempeño apropiados.

1. Las rejillas asadoras se deben limpiar diariamente cuando están tibias, utilizando un paño grueso u otro material que absorba la grasa para remover la grasa y la comida quemada antes de que se quemen adentro de la rejilla. Quite los materiales quemados, por ejemplo grasa o alimentos carbonizados, con un cepillo de alambre duro. Nunca deberá usar ningún tipo de lana de acero. Pueden quedar partículas pequeñas sobre la superficie de la rejilla y mezclarse con los alimentos.
2. Las rejillas asadoras deben lavarse a fondo utilizando un cepillo de alambre y un detergente suave o solución jabonosa caliente. Enjuague con agua limpia y tibia.
3. Seque a fondo.
4. Vuelva a curar las rejillas asadoras según lo indicado en las instrucciones de curado.
5. Vacíe frecuentemente la/s bandeja/s recolectora/s de grasa y lávela/s diariamente con detergente suave o solución jabonosa caliente.
6. No desperdicie gas ni abuse del equipo dejando las válvulas en ajustes de alta temperatura cuando no se están utilizando. Durante los períodos de descanso, configure las válvulas en temperatura baja para mantener caliente las rejillas. Reconfigure las válvulas cuando fuera necesario para los períodos de uso intenso. Gire las válvulas a OFF (apagado) al finalizar el funcionamiento diario.

7. Cuando la parrilla esté funcionando, nunca utilice objetos tales como bandejas planas para cubrir la parrilla con el fin de mantener el calor para quemar grasa u otros desechos.

## Limpeza De La Cubierta Exterior

Establezca un programa regular. Cualquier derrame debe ser limpiado de inmediato.

1. Al enfriarse, con un detergente suave y agua caliente limpie aquella superficie expuesta que pueda limpiarse. Los puntos de residuos obstinados pueden ser quitados con una almohadilla liviana de fregado no metálica. Seque a fondo con un paño limpia.
2. El acero inoxidable deberá limpiarse con un detergente suave, un paño suave y agua caliente. Si fuese necesario utilizar una almohadilla de fregado no metálica, siempre restriegue en dirección del grano en el metal para prevenir rayaduras. Use un limpiador de acero inoxidable a base de agua (como Drackett Twinkle), si usted quiere un brillo fuerte.
3. El protector lateral de salpicaduras o la parte superior de la parrilla se pueden limpiar con agua caliente y solución jabonosa. También se puede utilizar un desengrasante. Para facilitar la limpieza, puede desmontar la estructura superior. Para quitar la estructura superior, primero levante y quite todas las rejillas y, a continuación, suba la estructura superior. Cuando termine de limpiar, seque a fondo y cubra suavemente con aceite de cocina o rocíe con aceite de cocina como por ejemplo PAM. Si no se recubre con esta capa, se formará óxido.

 **Garland**<sup>®</sup>