



Master Series Gas Xpress Grill



Item: XG36-JIB

Quantity: _____

Project: _____

Approval: _____

Date: _____

Master Series Gas Xpress Grill

Models:

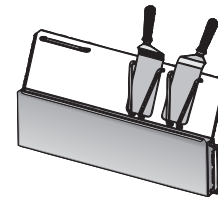
XG36-JIB



Model XG36-JIB

Standard Features:

- Stainless steel front, top & sides
- Swivel casters (4) w/front brakes
- 3/4" (19mm) thick, carbon steel griddle plate, machine ground, and polished
- Die cast aluminum electric top heating elements rated 208V or 240V, 3 phase 60 Hz
- 33,000 BTU/hr. heat input for each 12" (305mm) section of griddle
- Built in pressure regulator (one per 12" section of griddle) and gas shut-off valve
- Main gas shut-off valve
- Programming controller, one per 12" (305mm) section of griddle
- Automatic lifting and lowering of top heaters (platens)
- Platen tilt block for cleaning
- Towel bar with pan lip
- Two, 1.5 gal. (5.68 L), grease buckets with spatula holders



Note: spatulas supplied by others

- Cord and plug power supply
- One year limited parts and labor (USA & Canada)

Specifications:

Two sided cooking device with gas-fired griddle and three independently controlled 11.5" (286mm) wide electric top heaters (platens). Each 12" (305mm) of lower griddle has a heat input of 33,000 Btu/hr. 3/4" (19mm) carbon steel griddle plate are machine ground and polished. Automatic lighting, temperature, time and gap control monitored via a programmable controller, one per 12" (305mm). Internal gas pressure regulators and manual shut off valve provided as standard. Electric top heaters (platens) with Teflon sheets. Top heaters have gapping adjustments from 0" to 0.600" in increments of 0.010". Grill available in natural or propane gas and a choice of 208V or 240V three phase for top heaters.

NOTE: Grills supplied with casters must be installed with an approved restraining device.



Garland Commercial Industries, LLC
 185 East South Street
 Freeland, PA 18224
 Phone: (570) 636-1000
 Fax: (570) 636-3903

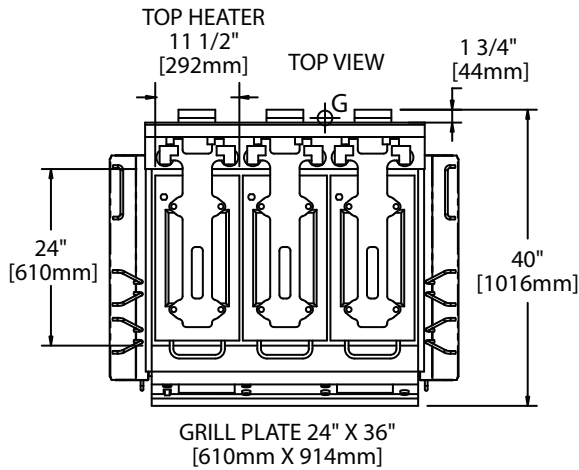
Garland Commercial Ranges Ltd
 1177 Kamato Road,
 Mississauga, Ontario
 L4W 1X4 CANADA
 Phone: 905-624-0260
 Fax: 905-624-5669



Model	Total kW Load	Loading kW Per Phase			Nominal Amps Per Line					
		208/240V 3ph			208V 3-Phase Delta			240V 3-Phase Delta		
		X-Y	X-Z	Y-Z	X	Y	Z	X	Y	Z
XG36-JIB	12.99	4.00	4.99	4.00	37.43	33.30	37.43	32.43	28.90	32.43

Six foot (1.83 m) electric cord and plug supplied #6AWG/4 with a NEMA 15-50P plug for 208V or 240V models

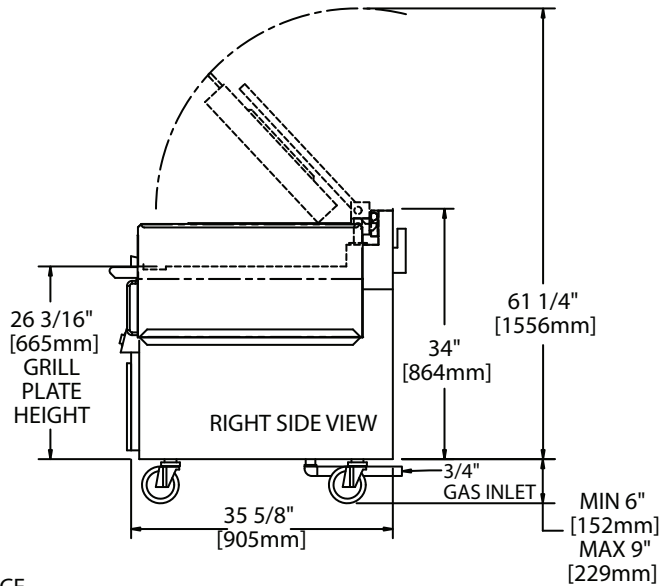
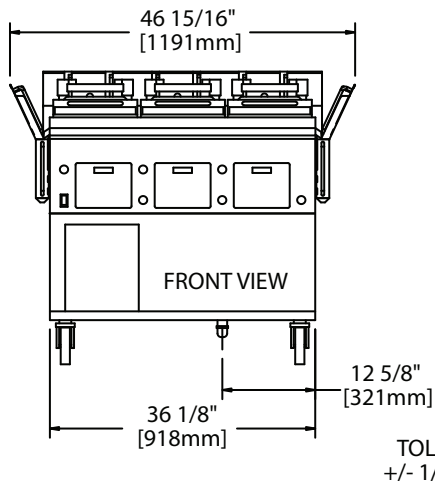
Clearances				Gas Pressure				Total Gas Input	
Entry		Installation		Supply (min.)		Operating			
Crated	Uncrated	Sides	Rear	NAT	PRO	NAT	PRO	BTU/Hr	kW
47-1/2" (1207mm)	40-3/4" (1035mm)	6" (152mm)	3" (76mm)	7.0" WC	11.0" WC	3.5" WC	3.5" WC	99,000	29.1



Shipping: Weight 965Lbs/ 438Kg, 59 Cubic Feet

Garland products are not approved or authorized for home or residential use, but are intended for commercial applications only. Garland will not provide service, warranty, maintenance or support of any kind other than in commercial applications

Gas input ratings shown here are for installations up to 2,000 Ft. (610m) above sea level. Specify altitudes over 2,000 Ft. Please specify gas type when ordering.



Form# XG36-JIB (08/04/09)