



# Arctic Fire Remote Refrigerated Base

Item: \_\_\_\_\_  
 Quantity: \_\_\_\_\_  
 Project: \_\_\_\_\_  
 Approval: \_\_\_\_\_  
 Date: \_\_\_\_\_

Arctic Fire Remote Refrigerated Base

Models:

**REFRIGERATION UNITS**

- BRR-1-02-34G     BRR-1-02-46G     BRR-2-04-51G
- BRR-2-04-53G     BRR-2-04-63G     BRR-2-04-68G     BRR-3-06-80G     BRR-3-06-85G
- BRR-3-06-92G     BRR-3-06-97G     BRR-3-06-102G     BRR-4-08-109G     BRR-4-08-114G

**FREEZER UNITS**

- BFRA-1-02-34G     BFRA-1-02-46G
- BFRA-2-04-51G     BFRA-2-04-53G     BFRA-2-04-63G     BFRA-2-04-68G     BFRA-3-06-80G



*(Remote Refrigerated Base)*

**Standard Features:**

- Refrigerator/Freezer cabinet interior, front and side stainless steel
- Drawers and cabinet are 100% "shot in place" foam insulation
- Self closing drawers with heavy duty 2" (51mm) skate wheels with a stainless steel tract
- Heavy duty, long life PVC drawer gaskets
- Center located, flush mount handle for positive opening and reduced stress points on drawer
- Easy to remove drawers for cleaning and set-up
- No exposed fasteners
- Designed to accommodate standard hotel pans in configurations to suit your needs

- Front, face mounted dial thermometers
- Blower coil evaporator with R-404A expansion valve standard
- Internal conduit for single point electrical connection
- Sleeves provided for refrigeration and drain lines
- Stainless steel adjustable 6" (152mm) legs

NOTE: Electrical junction box, drain line and refrigeration are all standard left rear connection. Compressor by others. Consult factory for other locations.

**Optional Features:**

- Padlock assemblies
- 6" (152mm) casters, front locking (5"/127mm diameter wheel)

**Specifications:**

Garland low height remote refrigerated base model \_\_\_\_\_ to be used under Garland Heavy-Duty Master Series modular top. Stainless steel refrigerated base interior, front face, drawers and sides. 3/8" (10mm) radius bottom and vertical corners of inner liner. Bottom and back of base of galvanized steel. 100% polyurethane shot-in-place foam, free of any CFCs insulation for cabinet and drawer faces. Stainless steel self closing drawer track assemblies with heavy duty 2" (51mm) skate wheels with concealed bearings. Heavy duty, long life PVC drawer gaskets. R-404A blower coil evaporator with expansion valve, concealed pre-wired electrical conduit to a single point connection, dial thermometer and sleeve for drain and refrigeration lines. 6" (152 mm) stainless steel legs with 2" (51mm) adjustable bullet feet.



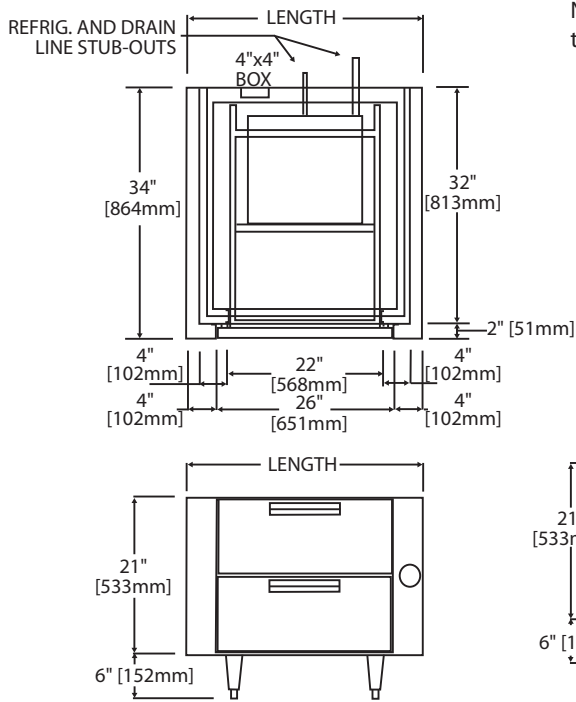
NOTE: Bases supplied with casters must be installed with an approved restraining device.

Garland Commercial Industries, LLC  
 185 East South Street  
 Freeland, PA 18224  
 Phone: (570) 636-1000  
 Fax: (570) 636-3903

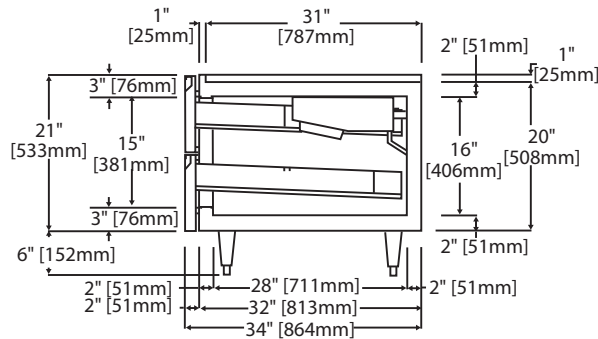
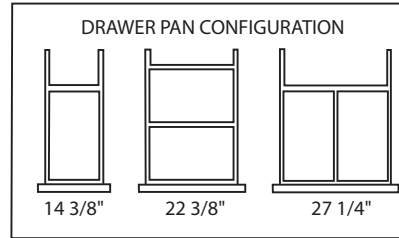
Garland Commercial Ranges Ltd  
 1177 Kamato Road,  
 Mississauga, Ontario  
 L4W 1X4 CANADA  
 Phone: 905-624-0260  
 Fax: 905-624-5669

Enodis UK LTD  
 Swallowfield Way,  
 Hayes, Middlesex  
 UB3 1DQ ENGLAND  
 Telephone: 081-561-0433  
 Fax: 081-848-0041





NOTE: Bases must be ordered with a Master Series or combination of Master Series tops ONLY.



**LOW HEIGHT REFRIGERATIONS: 21" (533mm) BODY HEIGHT**

Remote Units Model	Length: Ins(mm)	Depth: Ins(mm)	Height: Ins(mm)	Drawer Size Openings			Hotel Pans	Utilities			
				14-3/8"	22-3/8"	27-1/4"		Volts	Amps	Phase	BTU'S
BARRA-1-02-34G	34(864)	34(864)	27(686)		2		3	115	0.73	1ph	1000
BARRA-1-02-46G	46(1168)	34(864)	27(686)			2	4	115	1.5	1ph	1300
BARRA-2-04-51G	51(1295)	34(864)	27(686)	2	2		5	115	1.5	1ph	1300
BARRA-2-04-53G	53(1346)	34(864)	27(686)	2		2	6	115	1.5	1ph	1300
BARRA-2-04-63G	63(1600)	34(864)	27(686)		2	2	8	115	1.5	1ph	1300
BARRA-2-04-68G	68(1727)	34(864)	27(686)			4	8	115	1.5	1ph	1300
BARRA-3-06-80G	80(2032)	34(864)	27(686)	4		2	8	115	1.5	1ph	1300
BARRA-3-06-85G	85(2159)	34(864)	27(686)		6		12	115	1.5	1ph	1300
BARRA-3-06-92G	92(2337)	34(864)	27(686)		2	4	12	115	1.5	1ph	1300
BARRA-3-06-97G	97(2464)	34(864)	27(686)			6	12	115	1.5	1ph	1300
BARRA-3-06-102G	102(2591)	34(864)	27(686)			6	12	115	1.5	1ph	1300
BARRA-4-08-109G	109(2769)	34(864)	27(686)		6	2	14	115	1.5	1ph	1300
BARRA-4-08-114G	114(2896)	34(864)	27(686)		6	2	16	115	1.5	1ph	2600

**LOW HEIGHT FREEZERS: 21" (533mm) BODY HEIGHT**

Remote Units Model	Length: Ins(mm)	Depth: Ins(mm)	Height: Ins(mm)	Drawer Size Openings			Hotel Pans	Utilities			
				14-3/8"	22-3/8"	27-1/4"		Volts	Amps	Phase	BTU'S
BFRA-1-02-34G	34(864)	34(864)	27(686)		2		3	115	0.73	1ph	1000
BFRA-1-02-46G	46(1168)	34(864)	27(686)			2	4	115	1.5	1ph	1300
BFRA-2-04-51G	51(1295)	34(864)	27(686)	2	2		5	115	1.5	1ph	1300
BFRA-2-04-53G	53(1346)	34(864)	27(686)	2		2	6	115	1.5	1ph	1300
BFRA-2-04-63G	63(1600)	34(864)	27(686)		2	2	8	115	1.5	1ph	1300
BFRA-2-04-68G	68(1727)	34(864)	27(686)			4	8	115	1.5	1ph	1300
BFRA-3-06-80G	80(2032)	34(864)	27(686)	4		2	8	115	1.5	1ph	1300

Form# AFR (09/08/08)