



Arctic Fire Self Contained Refrigerated Base

Item: _____
 Quantity: _____
 Project: _____
 Approval: _____
 Date: _____

Arctic Fire Self Contained Refrigerated Base

Models:

REFRIGERATION UNITS

- BRSA-1-02-46G BRSA-1-02-51G BRSA-1-02-53G
- BRSA-2-04-63G BRSA-2-04-68G BRSA-2-04-80G BRSA-2-04-85G BRSA-2-04-92G
- BRSA-3-06-97G BRSA-3-06-102G BRSA-3-06-109G BRSA-4-06-114G BRSA-3-06-119G

FREEZER UNITS

- BFSA-1-02-46G BFSA-1-02-51G
- BFSA-1-02-53G BFSA-2-04-63G BFSA-2-04-68G BFSA-2-04-80G BFSA-3-06-92G



Standard Features:

- Refrigerator/Freezer cabinet interior, front and side stainless steel
- Drawers and cabinet are 100% "Pressure sprayed in place" foam insulation
- Self-closing drawers with heavy duty 2" (51mm) skate wheels with a stainless steel tract
- Heavy duty, long life rubber drawer gaskets
- Center located, flush mount handle for positive opening and reduced stress points on drawer
- Easy to remove drawers for cleaning and set-up
- Designed to accommodate standard 4" (102mm) deep hotel pans in configuration, to suit your needs
- No exposed fasteners

- Front, face mounted dial thermometers
- Blower coil evaporator with R-404A expansion valve standard
- Internal conduit for single point electrical connection
- Sleeves provided for refrigeration & drain lines
- Stainless steel adjustable 6" (152mm) legs

NOTE: Electrical junction box, drain line and refrigeration are all standard left rear connection. Consult factory for other locations.

Optional Features:

- Padlock assemblies
- 6" (162mm) casters, front locking; (5"/127mm diameter wheel)
- 5 year warranty (compressor only)

Specifications:

Garland low height self contained refrigerated base model _____ to be used under Garland Heavy-Duty Master Series modular top. Stainless steel refrigerated base interior, front face, drawers and sides. 3/8" (10mm) radius bottom and vertical corners of inner liner. Bottom and back of base of galvanized steel. 100% polyurethane shot-in-place foam, free of any CFCs insulation for cabinet and drawer faces. Stainless steel self closing drawer track assemblies with heavy-duty 2" (51mm) skate wheels with concealed bearings. Grease resistant, high compression PVC drawer gasket. R-404A blower coil evaporator with expansion valve, concealed pre-wired electrical conduit to a single point connection, dial thermometer and sleeve for drain and refrigeration lines. 6" (152 mm) stainless steel legs with 2" (51mm) adjustable bullet feet. 6 ft. (1.8m) cord and three prong plug.

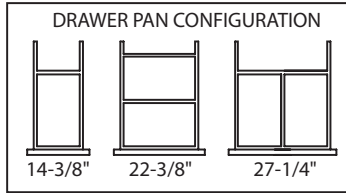


NOTE: Bases supplied with casters must be installed with an approved restraining device.

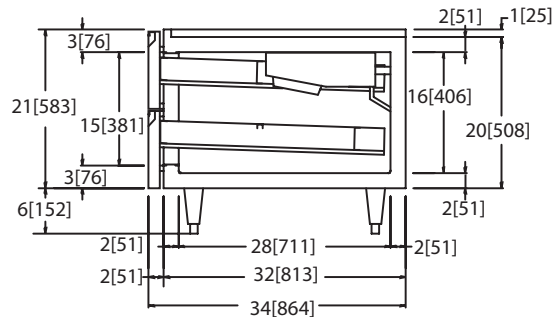
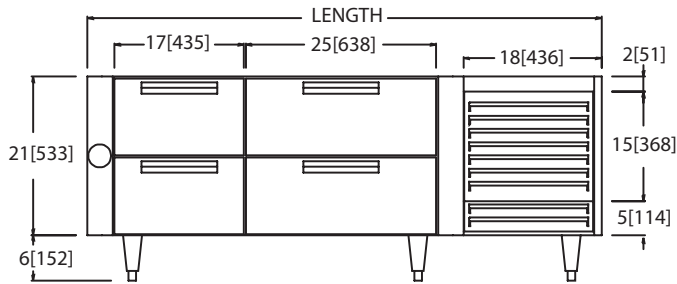
Garland Commercial Industries, LLC
 185 East South Street
 Freeland, PA 18224
 Phone: (570) 636-1000
 Fax: (570) 636-3903

Garland Commercial Ranges Ltd
 1177 Kamato Road,
 Mississauga, Ontario
 L4W 1X4 CANADA
 Phone: 905-624-0260
 Fax: 905-624-5669





NOTE: Bases must be ordered with a Master Series or combination of Master Series tops ONLY.



LOW HEIGHT REFRIGERATIONS: 21" (533 mm) BODY HEIGHT

Self Contained Model	Length: Ins(mm)	Depth: Ins(mm)	Height: Ins(mm)	Drawer Size Openings			Hotel Pans	Utilities			
				14-3/8"	22-3/8"	27-1/4"		Volts	Amps	Phase	BTU'S
BRSA-1-02-46G	46(1168)	34(864)	27(686)	2			2	115	8.2	1ph	1000
BRSA-1-02-51G	51(1295)	34(864)	27(686)		2		3	115	8.2	1ph	1000
BRSA-1-02-53G	53(1346)	34(864)	27(686)			2	4	115	8.2	1ph	1000
BRSA-2-04-63G	63(1600)	34(864)	27(686)	4			4	115	8.9	1ph	1300
BRSA-2-04-68G	68(1727)	34(864)	27(686)	2	2		5	115	8.9	1ph	1300
BRSA-2-04-80G	80(2032)	34(864)	27(686)		2	2	8	115	8.9	1ph	1300
BRSA-2-04-85G	85(2159)	34(864)	27(686)			4	8	115	9.3	1ph	1300
BRSA-2-04-92G	92(2337)	34(864)	27(686)			4	8	115	8.9	1ph	1300
BRSA-3-06-97G	97(2464)	34(864)	27(686)	4	2		7	115	9.3	1ph	1300
BRSA-3-06-102G	102(2591)	34(864)	27(686)		6		12	115	9.3	1ph	1300
BRSA-3-06-109G	109(2769)	34(864)	27(686)		2	4	12	115	9.3	1ph	1300
BRSA-4-06-114G	114(2896)	34(864)	27(686)			6	12	115	9.3	1ph	1300
BRSA-3-06-119G	119(3023)	34(864)	27(686)			6	12	115	9.3	1ph	1300

LOW HEIGHT FREEZERS: 21" (533mm) BODY HEIGHT

Self Contained Model	Length: Ins(mm)	Depth: Ins(mm)	Height: Ins(mm)	Drawer Size Openings			Hotel Pans	Utilities			
				14-3/8"	22-3/8"	27-1/4"		Volts	Amps	Phase	BTU'S
BFSA-1-02-46G	46(1168)	34(864)	27(686)	2			2	115	8.2	1ph	1000
BFSA-1-02-51G	51(1295)	34(864)	27(686)		2		3	115	8.2	1ph	1000
BFSA-1-02-53G	53(1346)	34(864)	27(686)			2	4	115	8.2	1ph	1000
BFSA-2-04-63G	63(1600)	34(864)	27(686)	4			4	115	8.9	1ph	1300
BFSA-2-04-68G	68(1727)	34(864)	27(686)	2	2		5	115	8.9	1ph	1300
BFSA-2-04-80G	80(2032)	34(864)	27(686)		2	2	8	115	8.9	1ph	1300
BFSA-3-06-92G	92(2337)	34(864)	27(686)	4		2	8	115	9.3	1ph	1300

Form# AFSC (06/19/09)