



**Master Series
Gas XPress Grill**

models **XG24, XG36**
(non-CE & CE versions)

PARTS LIST

Phone (US & Canada): 1 800 427 6668

Fax (US & Canada): 1 800 361 7745

www.Garland-Group.com

Quality Factory Replacement Parts for the World's Finest Foodservice Equipment Solutions

This parts list is updated regularly. Please find the most current revision
on our website @ www.Garland-Group.com



Master Series Gas XPress Grill

models **XG24, XG36**
(non-CE & CE versions)

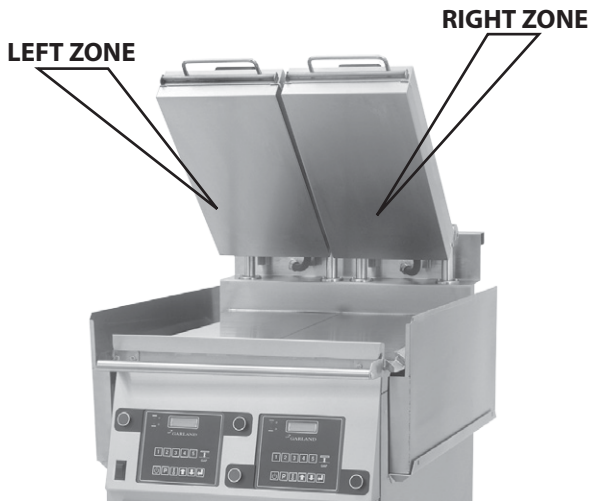
Table of Contents

Cooking Zone Designation & Rating Plate Location	4
Model & Serial# Interpretation	5
Components & Assemblies	6
Actuator Components	12
Platen Components & Assemblies	14
Burner & Flue Components	18
Gas Tubings	20
Grill Bracket Components	22
Heat Sink Components	24
Accessories & Tools	25
List of Wire Harnesses & Their Locations	26
List of Wiring Diagrams	26
Critical & Recommended Stock Parts List	27
Related Bulletins	28
Revision History	28

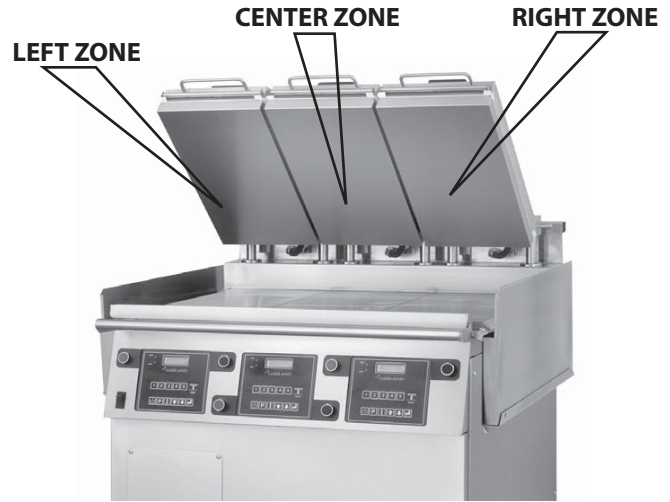
Cooking Zone Designation

The Xpress Grill is a cooking device with two or three independently controlled cooking areas called zones.

Each zone can be configured with an upper grill cooking surface (a platen) for double sided cooking.



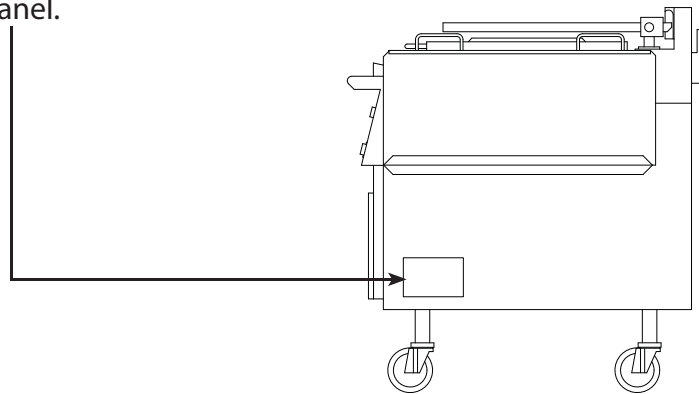
**24" Wide Xpress Grill
(Two Zones)**



**36" Wide Xpress Grill
(Three Zones)**

Rating Plate Location

The Rating Plate is affixed to the exterior of the Right Body Panel.



Model Code Interpretation

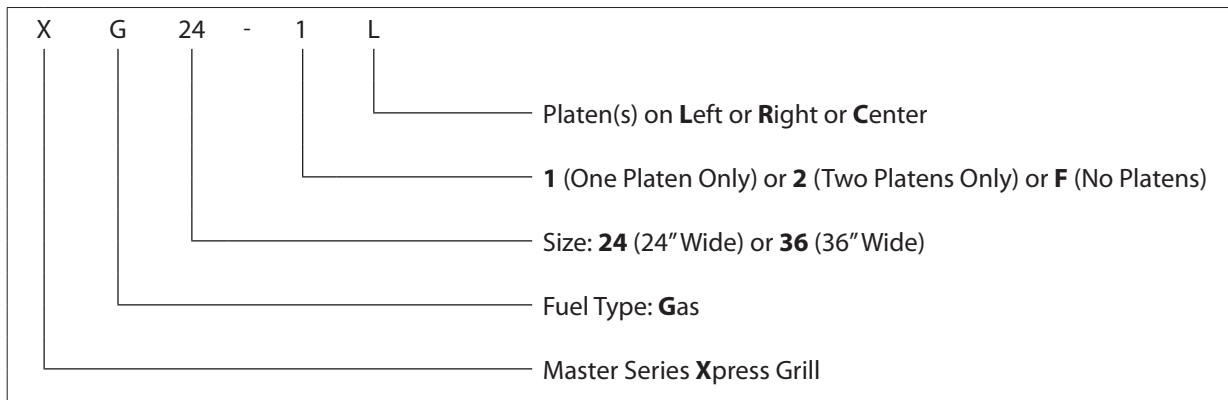
The model configuration code can be found on the unit's rating plate.
See "Rating Plate Location".

Gas Xpress Grill Standard Models:

- XG24 XG24-F XG24-1L XG24-1R
- XG36 XG36-F XG36-2L XG36-2R XG36-1L XG36-1C XG36-1R

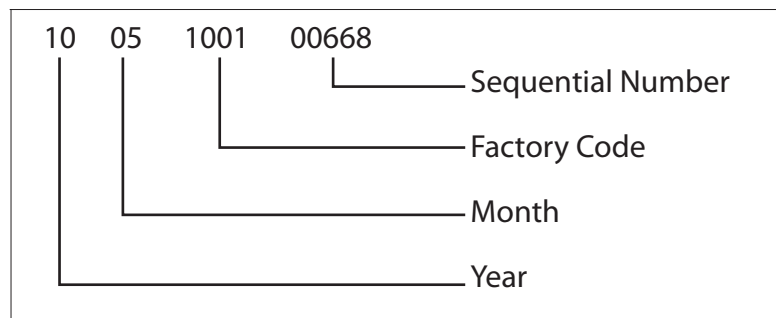
Sonic Chain Xpress Grill Models:

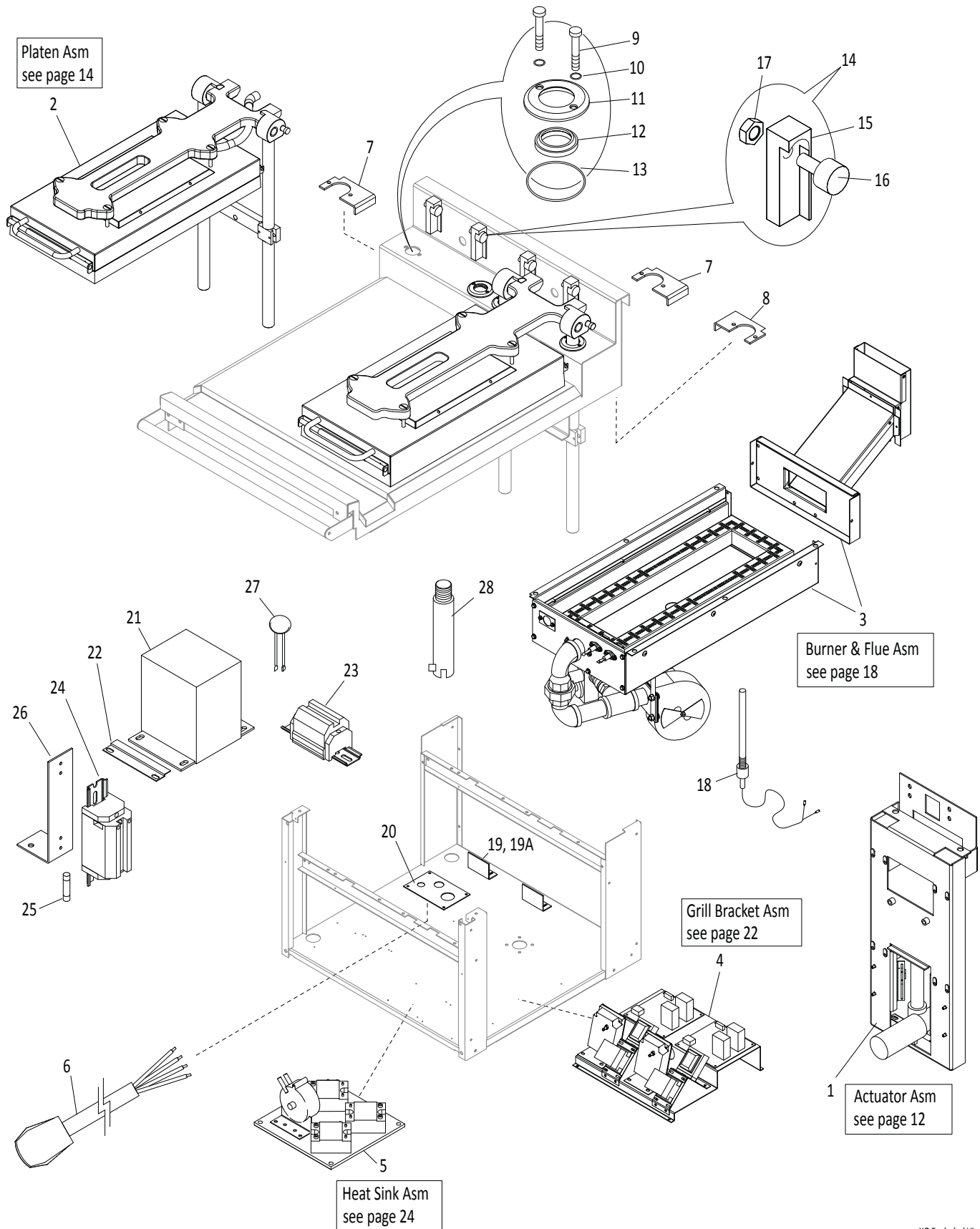
- XG36S (Three Platens) XG362S-L (Two Platens)



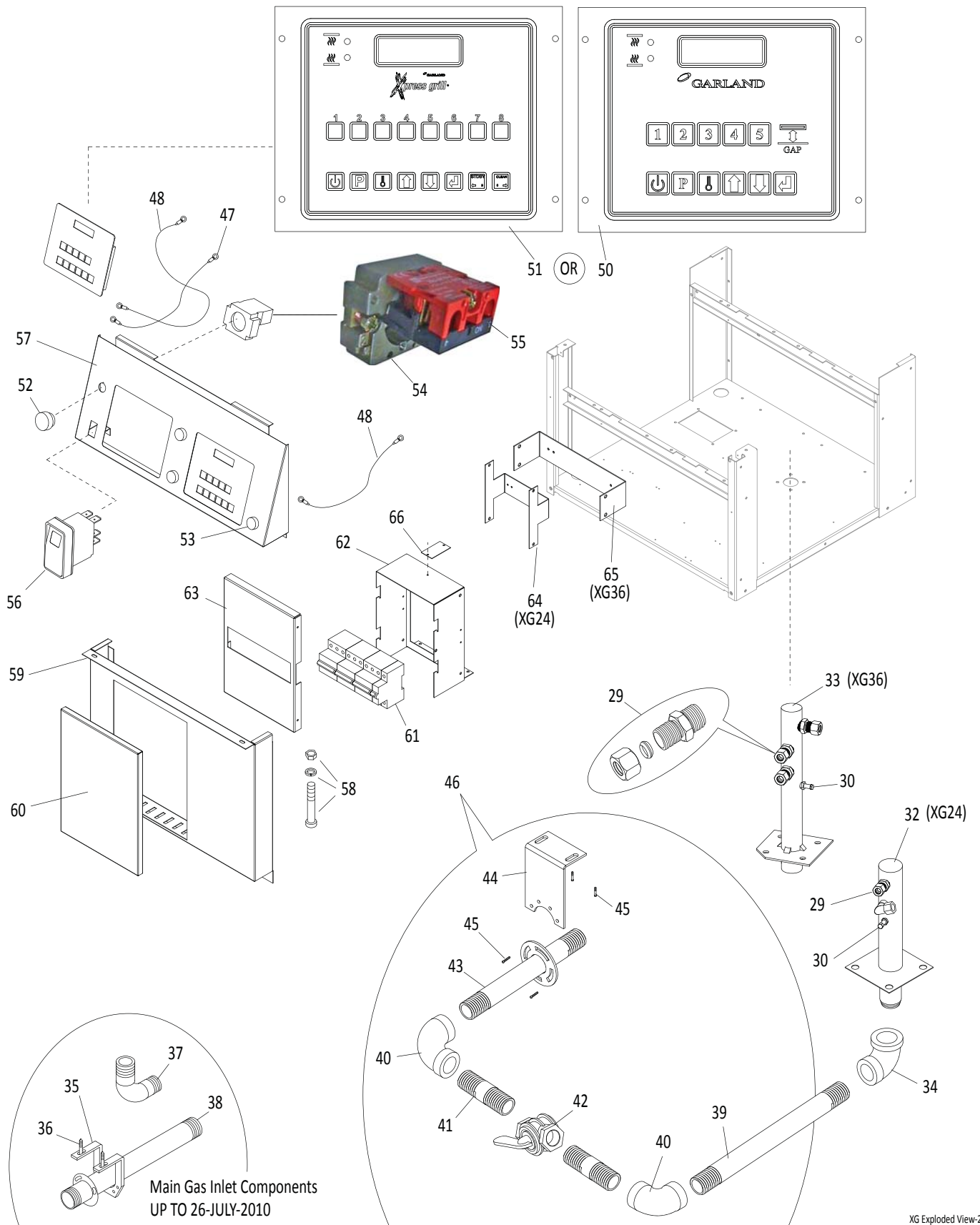
Serial# - Year/Month Information

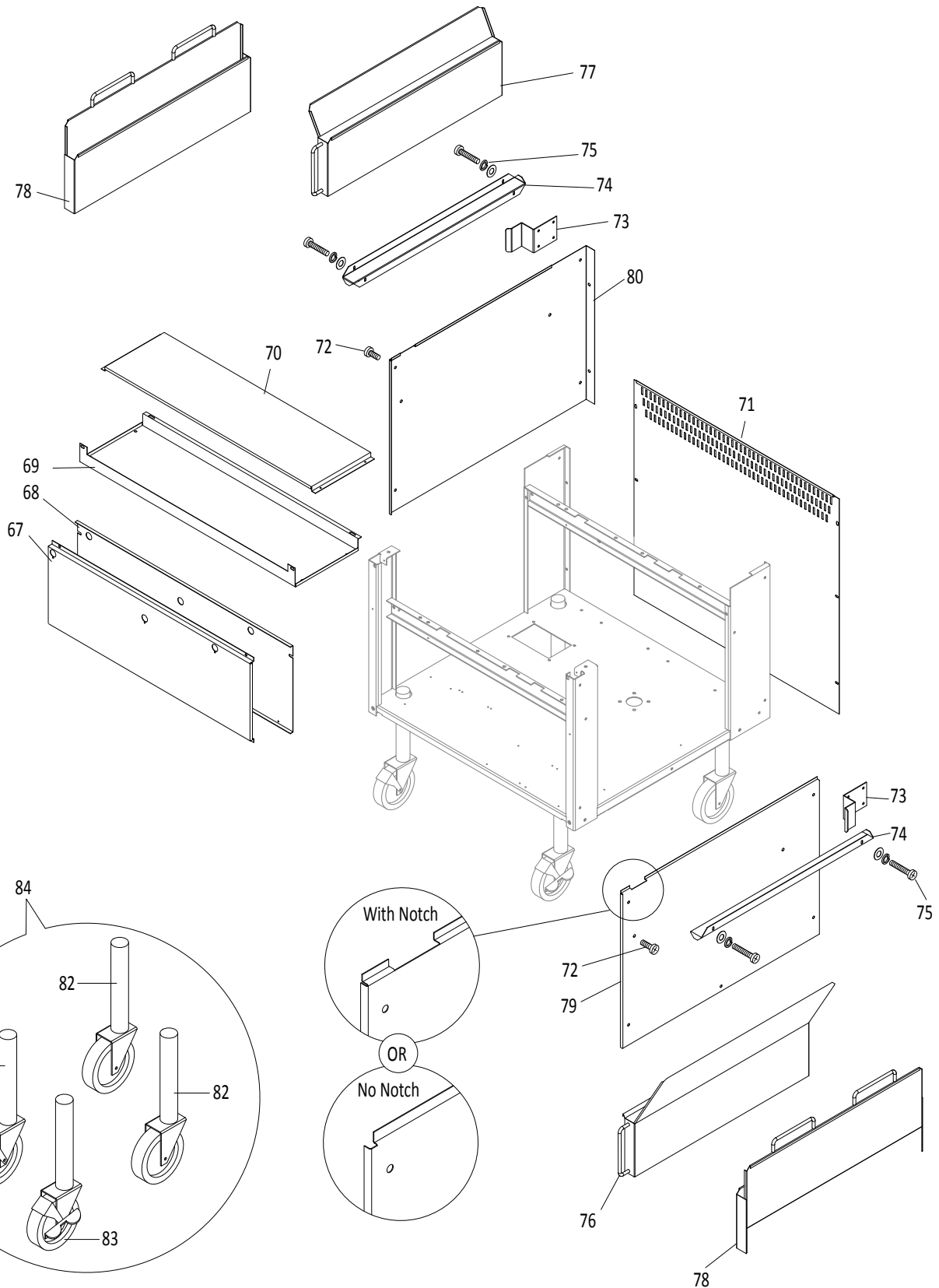
The serial number is **13 Digits long** and is stamped on the rating plate.
See "Rating Plate Location".





COMPONENTS & ASSEMBLIES (2 of 3)





GARLAND PARTS IDENTIFICATION
Master Series Gas Xpress Grill
models XG24, XG36 (non-CE & CE versions)

COMPONENTS & ASSEMBLIES

ITEM	PART #	DESCRIPTION	QTY		CRITICAL
			XG24	XG36	
1		Actuator Assembly (see page 12)	1 / Platen		
2		Platen Assembly (see page 14)	1 / Platen		
3		Burner & Flue Assembly (see page 18)	2	3	
4		Grill Bracket Assembly (see page 22)	1	1	
5		Heat Sink Assembly (see page 24)	2	3	
6	4525505	Plug & Cord Asm - NEMA 15-50 Plug (Sonic ONLY, non-CE)		1	
	4528593	Plug & Cord Asm - 10.5FT, 16A Plug, 4mm Cord, Strain Relief, Dome Nut (CE)	1		
	4528594	Plug & Cord Asm - 10.5FT, 32A Plug, 6mm Cord, Strain Relief, Dome Nut (CE)		1	
7	4520408	Seal Cap Bracket (Left)	1 / Platen		
8	4520407	Seal Cap Bracket (Right)	1 / Platen		
9	8003437	8/32 x 1" Machine Screw	4 / Platen		
10	1874301	#8-32 O-Ring, Black	4 / Platen		
11	4516098	Seal Cap	2 / Platen		
12	4526315	SPLIT (2-Piece) Shaft Wiper, 1.50 O.D, Orange Dot	2 / Platen		C
13	4525256	O-Ring Seal Cap, Xpress	2 / Platen		
14	CK4520463	Arm Pivot Block Assembly	2 / Platen		
15	1856802	Arm Pivot Block	2 / Platen		
16	1854902	Cam Follower	2 / Platen		
17	1854903	Jam Nut	2 / Platen		
18	4520578	Grill Plate Thermocouple	2	3	C
19	4516977	Actuator Base Brace	1 / Platen		
19A	8004502	1/4" - 20 x 2-1/4" Shoulder Bolt	2 / Platen		
	8000203	1/4" Split Lock Washer	2 / Platen		
	8000304	1/4 x 3/4 Flat Washer, Stl, ZP	2 / Platen		
20	4529285	Power Cord Plate	1	1	
21	1864001	Main Transformer	1	1	C
22	1869301	Transformer Bracket	1	1	
23	4525397	Terminal Block - Gas, 208/220/240V	1	1	
	4522051	Terminal Block - Gas (CE)	1	1	
24	4516981	Terminal Block - 120V	1	1	
25	4522739	Fuse - 5 Amp. 125VAC 5mmx20mm	2	3	C
26	4517025	Terminal Bracket (XG24)	1		
27	CK4528713	Surge Protector Kit (20 ohm 8A Thermistor) Note: Kit includes a Surge Protector, a Terminal, a Male Tab, and a Heat Shrink Tubing 1/8".	2	3	C
28	1859404	Grill Plate Bayonet Adapter	1	1	
29	1027499	7/16CC Male Connector Assembly - 3/8NPT Note: Use 4529767.	2	3	
	4529767	Straight Connector Assembly - 7/16cc to 3/8 NPT	2	3	
30	G02251-1	Pressure Test Spigot	1	1	
32	1867703	Gas Inlet pipe - XG24	1		
33	4517394	Gas Inlet Pipe - XG36		1	
34	1026715	Elbow - Reducer, 3/4" to 1" NPT x 90 deg Note: Used UP TO 26-JULY-2010.	1	1	
	G01474-3	Elbow - Reducer, 3/4" to 1" NPT x 90 deg	1	1	
35	4525493	Manifold Support Bracket (OBSOLETE) Note: Used UP TO 26-JULY-2010.	1	1	

* NOT ILLUSTRATED

RECOMMENDED STOCK PARTS

GARLAND PARTS IDENTIFICATION
Master Series Gas Xpress Grill
models XG24, XG36 (non-CE & CE versions)

COMPONENTS & ASSEMBLIES

ITEM	PART #	DESCRIPTION	QTY		CRITICAL
			XG24	XG36	
36	8003210	8-32 x 3/8" Pan Head, Self Tapping Screw	4	4	
37	1026704	Elbow - 3/4" x 90 deg.	1	1	
38	4525494	Nipple Assembly (OBSOLETE) Note: Used UP TO 26-JULY-2010.	1	1	
39	G01738-20	Manifold Pipe - 3/4" NPT x 10-5/8"	1	1	
40	G01474-5	Elbow - 3/4" x 90 deg	2	2	
41	G01738-14	Nipple - 3/4 NPT x 2"	2	2	
42	G01518-1	Valve - Gas Shut-Off, Swing Type	1	1	
43	4528858	Nipple Assembly - 3/4 NPT x 8"	1	1	
44	4528859	Bracket - Pipe Hanger	1	1	
45	F32	#10 - 24 x 1/2", Pan Head, Type F Screw	4	4	
46	4527797	Main Gas Inlet Kit Note: Includes items 39 - 45, a 3/4 NPT Coupling (part# G01961-1), a Gas Shut-Off label, and installation instructions.	1	1	
47	1866103	Strain Relief Wire - 12.5", Brown	2	2	
48	1866101	Ground Wire - 24", Green & Yellow	1	1	
50	4516983	Five (5)-Button Fast Control with Gap Key	2	3	
51	CK4529908	QUICK Menu Programmed Kit with Controller 4528917 Note: For information on the controller, please see Bulletin# GAR-12-12-AIC.	2	3	
	CK4529909	SONIC Menu Programmed Kit with Controller 4528917 Note: For information on the controller, please see Bulletin# GAR-12-12-AIC.	2	3	
	CK4531354	DQ Menu Programmed Kit with Controller 4528917 Note: For information on the controller, please see Bulletin# GAR-12-12-AIC.	2	3	
	CK4529910	GENERIC Menu Programmed Kit with Controller 4528917 Note: The Generic Kit is for any grill model other than Quick's, Sonic's or DQ's. Please see Bulletin# GAR-12-12-AIC.	2	3	
52	1859605	Push Button (Green)	2	3	C
53	1859604	Push Button (Black)	2	3	C
54	1859606	Contact Block	4	6	
55	1859607	Mounting Latch	4	6	
56	1872404	Power Switch, Red Note: Used UP TO 12-JAN-2010.	1	1	C
	4527625	Power Switch with Light	1	1	C
57	4516684	Upper Front Panel	1		
	4516108	Upper Front Panel		1	
58	8003219	#8 - 32 x 1/2" Phillip Head Machine Screw Stl	4	4	
	8001203	#8 - 32 Hex Nut, Stl	4	4	
	8000202	8 x 19/64 x 3/64 Split Lock Washer, Stl	4	4	
59	4516685	Lower Front Panel	1		
	4516109	Lower Front Panel		1	
60	4516686	Access Door	1		
	4516110	Access Door		1	
61	4517813	Circuit Breaker Assembly, 3 Pole Note: Use part 4517811-1.	1		
	4517811-1	Circuit Breaker - Multi-Block	1		C
	4517814	Circuit Breaker Assembly, 3 Pole Note: Use part 4517812-1.		1	
	4517812-1	Circuit Breaker - Multi-Block		1	C

* NOT ILLUSTRATED

RECOMMENDED STOCK PARTS

GARLAND PARTS IDENTIFICATION
Master Series Gas Xpress Grill
models XG24, XG36 (non-CE & CE vesions)

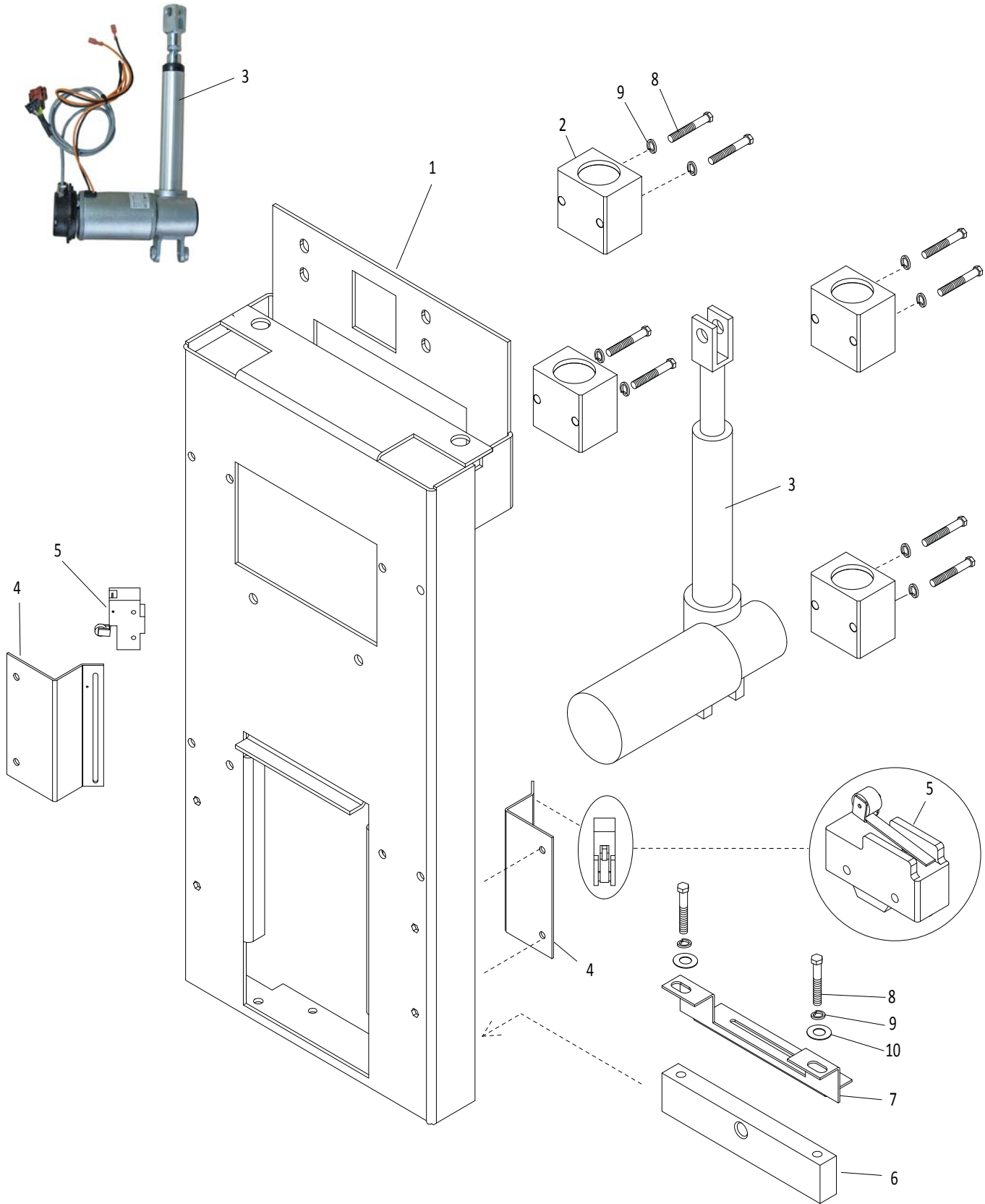
COMPONENTS & ASSEMBLIES

ITEM	PART #	DESCRIPTION	QTY		CRITICAL
			XG24	XG36	
62	4516687	Circuit Box	1		
	4516111	Circuit Box		1	
63	4516688	Circuit Cover	1		
	4516112	Circuit Cover		1	
64	4516689	Circuit Support	1		
65	4516113	Circuit Support		1	
66	4516114	Circuit Brace	1	1	
67	4517388	Front Heat Shield, Outer	1		
	4517593	Front Heat Shield, Outer		1	
68	4517389	Front Heat Shield, Inner	1		
	4517594	Front Heat Shield, Inner		1	
69	4517390	Burner Heat Shield, Lower	1		
	4517654	Burner Heat Shield, Lower		1	
70	4517391	Burner Heat Shield, Upper	1		
	4517655	Burner Heat Shield, Upper		1	
71	4517393	Back	1		
	4517658	Back		1	
72	8003128	#10-24 x 1/2 18-8 PH TRSHD Machine Screw			
73	4526931	Grease Bucket Clip	2	2	
74	4516976	Grease Bucket Support	2	2	
75	8000203	1/4 Split Lock Washer	4	4	
	8000338	7/32 x 1/2 Flat Water, SS	4	4	
	8003143	#10-24 x 1-1/4 18-8, MSCR-TH-PHIL	4	4	
76	4524822	Flared Style Grease Bucket - Right	1	1	
77	4524823	Flared Style Grease Bucket - Left	1	1	
78	4516308	Straight Style Grease Bucket	2	2	
79	4516105	Body Side, Right Note: Used UP TO 11-OCT-2010.	1	1	
	4528976	Body Side, Right (NO NOTCH on Top Edge) Note: Used FROM 12-OCT-2010 / Serial# 1010100100100.	1	1	
80	4516106	Body Side, Left Note: Used UP TO 11-OCT-2010.	1	1	
	4528977	Body Side, Left (NO NOTCH on Top Edge) Note: Used FROM 12-OCT-2010 / Serial# 1010100100100.	1	1	
81*	4516978	Caster - NO LOCK Note: Use part 1792003 (Caster, 5" DIA).	2	2	
82	4528847	Caster - 5" Swivel NO LOCK	2	2	
83	4517563	Caster - 5" Swivel WITH LOCK	2	2	
84	4520678	Casters Kit - Locking & Nonlocking Includes item 81 (x2) and item 83 (x2). Note: Replaced by Kit 4520677.	1	1	
	4520677	Casters Kit - Locking & Nonlocking Note: Replaced by Kit 4528864.	1	1	
	4528846	Swivel Casters Kit - Locking & Nonlocking Note: Includes item 82 (x2) and item 83 (x2). For install instructions, refer to Instruction Sheet #4528846.	1	1	

* NOT ILLUSTRATED

RECOMMENDED STOCK PARTS

ACTUATOR COMPONENTS



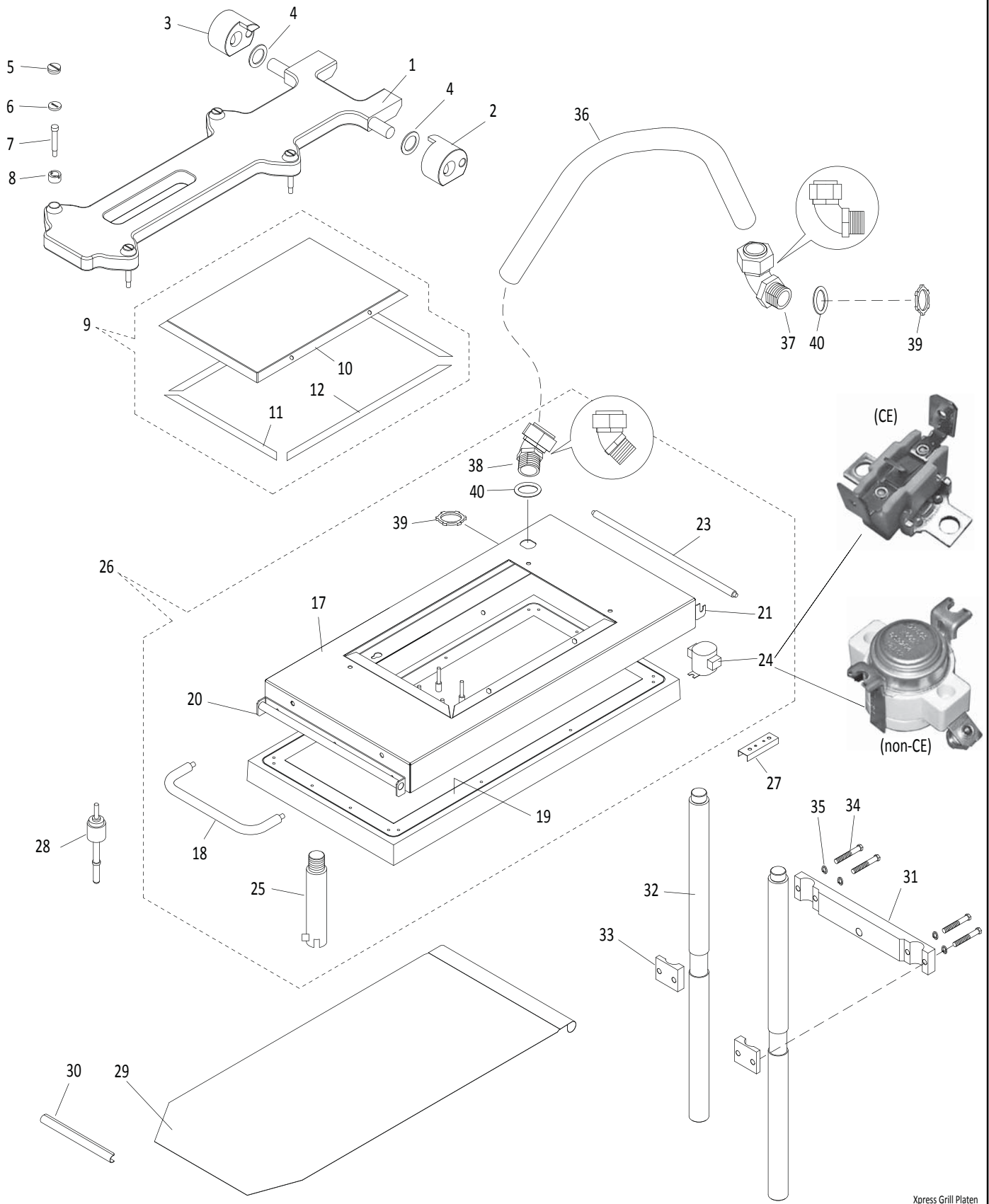
GARLAND PARTS IDENTIFICATION
Master Series Gas Xpress Grill
models XG24, XG36 (non-CE & CE vesions)

ACTUATOR COMPONENTS

ITEM	PART #	DESCRIPTION	QTY (Per Platen)	CRITICAL
1	4516080	Actuator Frame Weldment Assembly	1	
2	4518156	Pillow Block Assembly	4	
3	4530036	Actuator (Micronas Sensors, Dual Connectors)	1	C
4	1857601	Limit Switch Bracket	2	
5	1855601	Upper/Lower Platen Limit Switch	2	C
6	4518787	Actuator Mount Block (Painted)	1	
7	4516097	Actuator Brace Bracket	1	
8	8004502	1/4" - 20 x 2-1/4" Shoulder Bolt	10	
9	8000203	1/4" Split Lock Washer	10	
10	8000304	1/4 x 3/4 Flat Washer, Stl, ZP	2	

* NOT ILLUSTRATED

RECOMMENDED STOCK PARTS





Xpress Grill Platen

GARLAND PARTS IDENTIFICATION

Master Series Gas Xpress Grill
models XG24, XG36 (non-CE & CE versions)

PLATEN COMPONENTS & ASSEMBLIES

ITEM	PART #	DESCRIPTION	QTY (Per Platen)	CRITICAL
1	4516085	Platen Arm	1	
2	4520422	Carriage Block Assembly, Right	1	
3	4520423	Carriage Block Assembly, Left	1	
4	1855903	Teflon Washer	2	
5	1859102	Platen Adjuster Cap	4	C
6	1859103	Platen Lock Nut	4	C
7	8005401	Platen Shoulder Bolt (for older units) 	4	C
	4527290	Platen Shoulder Bolt (currently used) 	4	C
<p>CAUTION: Platen Shoulder Bolts used for older and newer units are different. They are NOT interchangeable. When servicing, ensure to replace the existing Shoulder Bolts with the exact same type as the original.</p>				
8	1859101	Platen Adjuster Nut	4	C
9	4527090	Platen Lid / Silicone Gasket Assembly	1	
10	4516092	Platen Lid	1	
11	4527091-01	1/16" Silicone Gasket (Cut to 8-3/8", 45 deg ends)	2	
12	4527091-02	1/16" Silicone Gasket (Cut to 12-3/8", 45 deg ends)	2	
17 ⁺⁺	4516091	Platen Cowl	1	
18 ⁺⁺	1859501	Platen Handle	1	
19 [^]	1937701	Gasket Tape - Gore Tex, 3/4"(0.75") wide x 1/16"(0.065') thick	6FT	
20 ⁺⁺	4516093	Teflon Holder, Front	1	
21 ⁺⁺	4516094	Teflon Holder, Rear	1	
23 [^]	4517008	Teflon Bar, Rear	1	
24 [^]	1781301	Hi Limit - Auto Reset	1	C
	1866601	Hi Limit (CE)	1	C
25 [^]	1859402	Platen Bayonet Adapter	1	
26	4519752	Platen Assembly Complete 208V	1	C
	4519753	Platen Assembly Complete 220V	1	C
	4519755	Platen Assembly Complete 240V	1	C
	4519756	Platen Assembly Complete 308V (CE)	1	C
	4519757	Platen Assembly Complete 400V (CE)	1	C
	4519758	Platen Assembly Complete 415V (CE)	1	C
27	1865801	Bracket - Hi Limit Switch	1	
28	1859401	Platen Thermocouple	1	C
29	1799303	Teflon Sheet	1	C

* NOT ILLUSTRATED

RECOMMENDED STOCK PARTS

⁺⁺ Item Listed For Reference Only. Not Sold Separately.

[^] Available For Purchase Separately.

GARLAND PARTS IDENTIFICATION
Master Series Gas Xpress Grill
models XG24, XG36 (non-CE & CE versions)

PLATEN COMPONENTS & ASSEMBLIES

ITEM	PART #	DESCRIPTION	QTY (Per Platen)	CRITICAL
30	1851301	Teflon Sheet Clip Note: Use 4527294	1	
	4527294	Teflon Sheet Clip	1	C
31	4516089	Cross Member	1	
32	4516084	Actuator Shaft	2	
33	4516090	Cross Member Bracket	2	
34	8003451	Mscr-HH-Grd5 1/4-20x1-1/4Stl 2	4	
35	8000203	Split Lock Washer 1/4 x 1/2 x 1/16	4	
36A	4517022	Conduit - 3/8" dia Note: This item is No Longer Available . New conduit has a 1/2" dia. Use Kit CK4526857 (item 36C) to replace all the 3/8" conduit and connectors with the 1/2" ones.	1	
36B	4526857	Conduit - 1/2" dia	1	
36C	CK4526857	Conduit Kit (convert from 3/8" to 1/2" dia) Note: Kit includes items # 36B, 37B, and 38B .	1	
37A	4517020	Connector - 3/8", 90 deg	1	
37B	4521709	Connector - 1/2", 90 deg	1	
38A	4517021	Connector - 3/8", 45 deg	1	
38B	1854504	Connector - 1/2", 45 deg	1	
39	4525424	Conduit Locknut - 1/2", Die Cast	2	
40	4525542	Seal for Conduit Elbow	2	

* NOT ILLUSTRATED

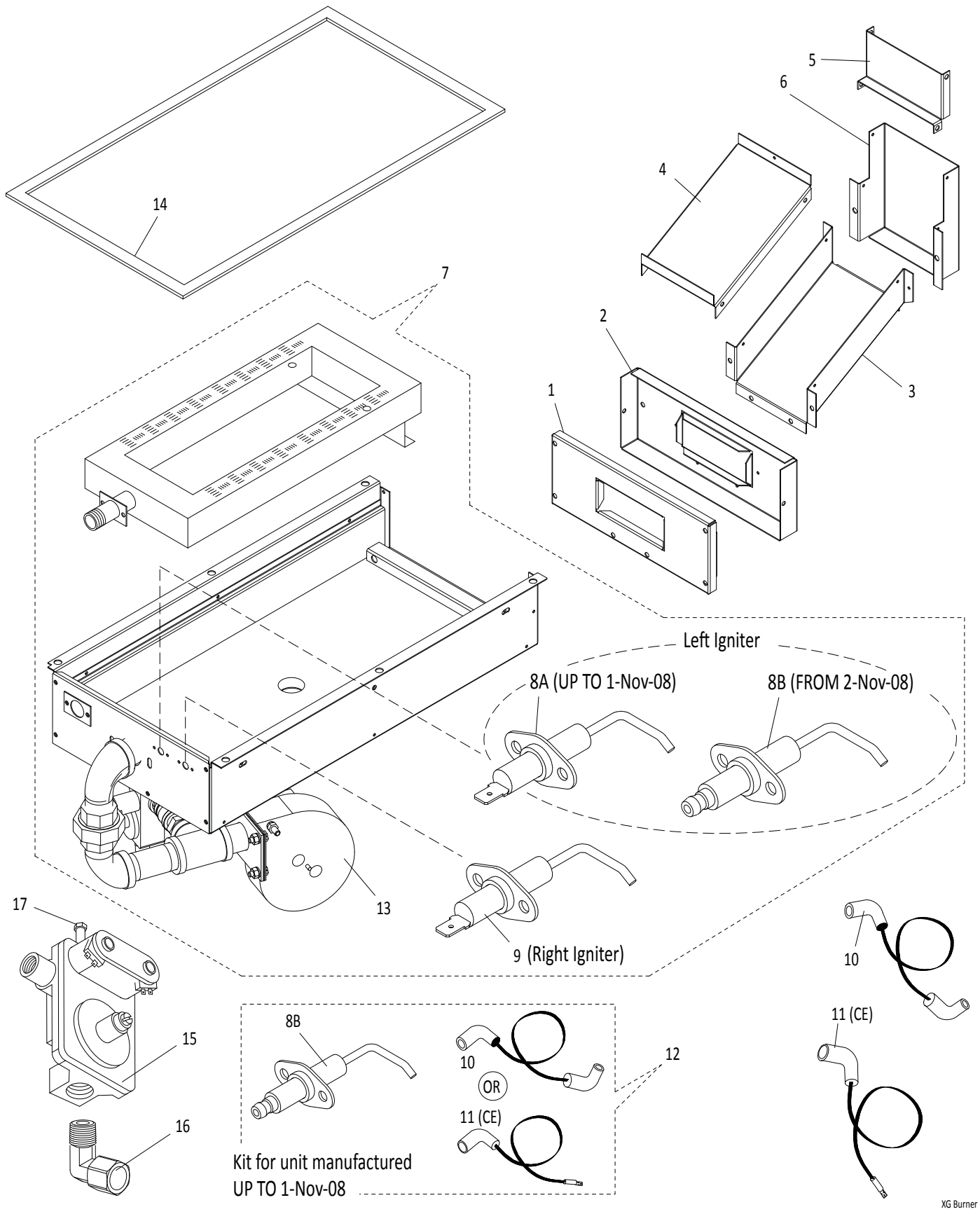
RECOMMENDED STOCK PARTS

++ Item Listed For Reference Only. Not Sold Separately.

^ Available For Purchase Separately.

NOTES

BURNER & FLUE COMPONENTS



GARLAND PARTS IDENTIFICATION
Master Series Gas Xpress Grill
models XG24, XG36 (non-CE & CE versions)

BURNER & FLUE COMPONENTS

ITEM	PART #	DESCRIPTION	QTY (Per Zone)	CRITICAL
1	4517396	Flue Box, Inner	1	
2	4517397	Flue Box, Outer	1	
3	4517398	Flue Bottom	1	
4	4517399	Flue Top	1	
5	4517401	Flue Riser, Inner	1	
6	4517400	Flue Riser, Outer	1	
7	4517403	Burner Assembly - Propane	1	
	4517462	Burner Assembly - Natural Gas	1	
	4517789	Burner Assembly - Propane (CE)	1	
	4517591	Burner Assembly - Natural Gas (CE)	1	
8A	4524066	Electrode - Sense, 1/4" Female Note: Used as LEFT Igniter UP TO 1-NOV-2008. To replace Left Igniter in units manufactured UP TO 1-NOV-2008, use Kit 4525538 (item 12).	1	
8B ⁺⁺	4525537	Electrode - Igniter, Rajah	1	C
9 ⁺⁺	4524066	Electrode - Sense, 1/4" Female	1	C
10 ⁺⁺	1864803	Ignition Cable	1	C
11 ⁺⁺	4525575	Ignition Cable (CE)	1	C
12	4525538	Service Kit - Igniter & Igniter Cable, Spark Plug Type Note: Includes items # 8B & 10 . For units manufactured UP TO 1-NOV-2008.	1	C
	4525576	CE Model Service Kit - Igniter & Igniter Cable (CE), Spark Plug Type Note: Includes items # 8B & 11 . For units manufactured UP TO 1-NOV-2008.	1	C
13	4525845	Blower / Motor 120V 60Hz	1	C
14	WFT125750	Insulation Seal	6Ft	C
15	1864701	Gas Valve - Natural Gas	1	C
	1864702	Gas Valve - Propane	1	C
	4525846	Gas Valve - Nat / LP (CE)	1	C
16	1027499	Male Connector Note: Used UP TO 15-MAY-2011. To replace, use 4529768.	1	
	4529768	7/16CC to 3/8NPT Elbow Fitting	1	C
17	G02251-1	Pressure Test Spigot	1	

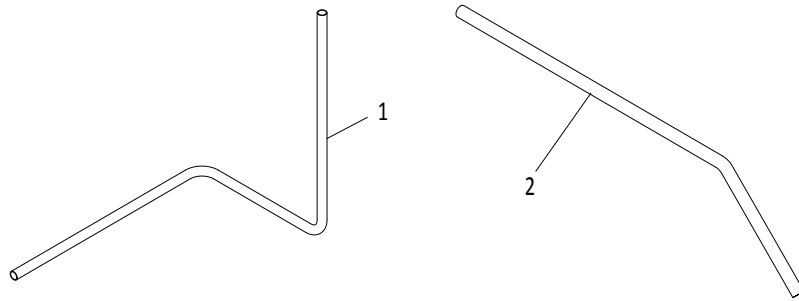
* NOT ILLUSTRATED

RECOMMENDED STOCK PARTS

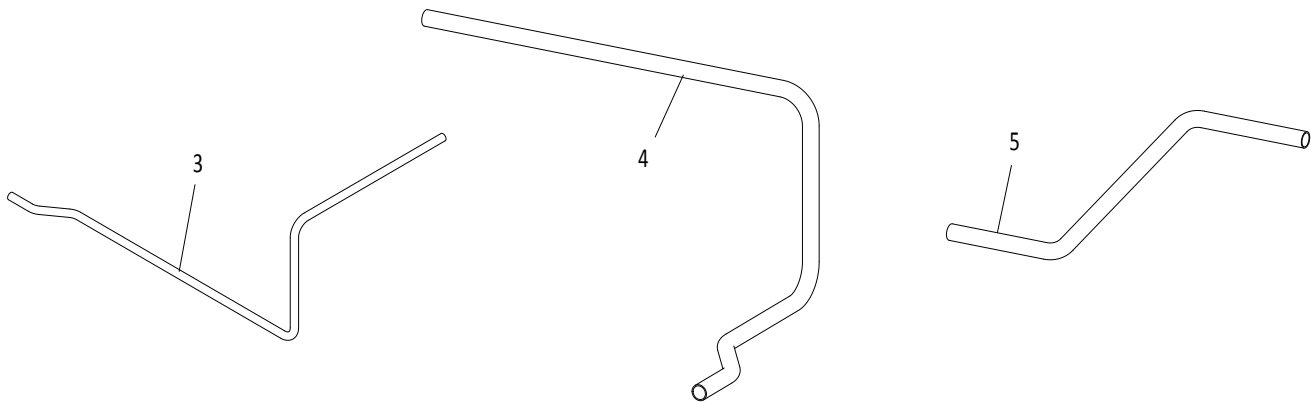
⁺⁺ Installed In Units Manufactured FROM DATE 02-NOV-2008.

GAS TUBINGS

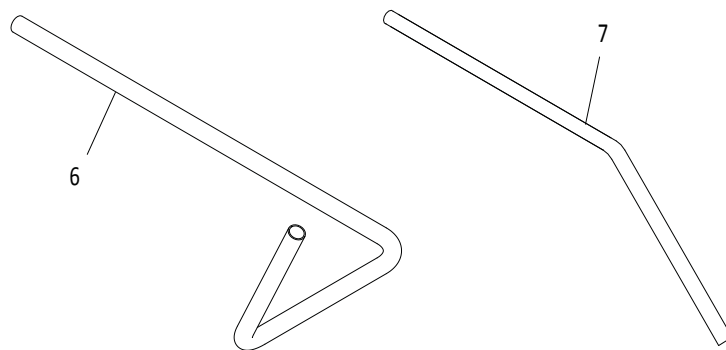
For XG24 Models:



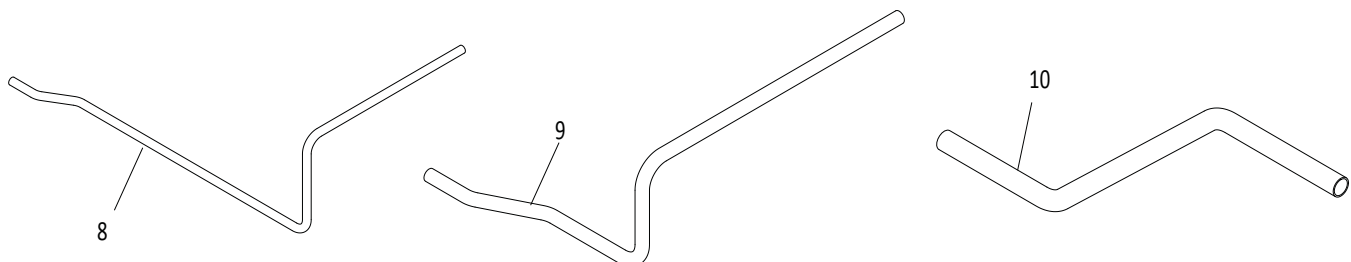
For XG36 Models:



For XG24 CE Models:



For XG36 CE Models:



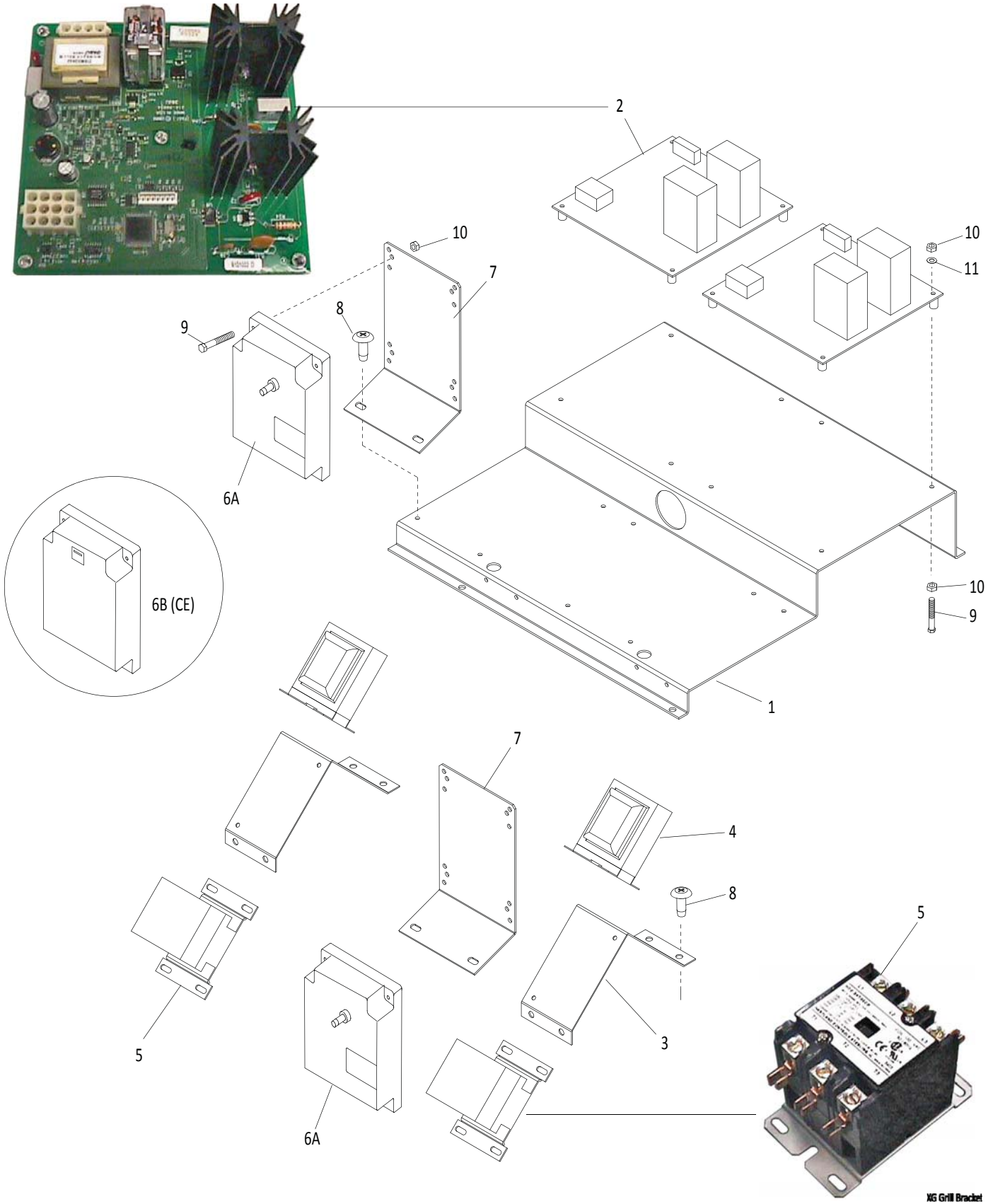
GARLAND PARTS IDENTIFICATION
Master Series Gas Xpress Grill
models XG24, XG36 (non-CE & CE versions)

GAS TUBINGS

ITEM	PART #	DESCRIPTION	QTY		CRITICAL
			XG24	XG36	
1	4517476	XG24 - Left Zone Gas Tubing	1		
2	4517475	XG24 - Right Zone Gas Tubing	1		
3	4517378	XG36 - Left Zone Gas Tubing		1	
4	4517377	XG36 - Center Zone Gas Tubing		1	
5	4517376	XG36 - Right Zone Gas Tubing		1	
6	4519506	XG24 - Left Zone Gas Tubing (CE)	1		
7	4519505	XG24 - Right Zone Gas Tubing (CE)	1		
8	4519124	XG36 - Left Zone Gas Tubing (CE)		1	
9	4519125	XG36 - Center Zone Gas Tubing (CE)		1	
10	4519126	XG36 - Right Zone Gas Tubing (CE)		1	

* NOT ILLUSTRATED

RECOMMENDED STOCK PARTS



XG Grill Bracket

GARLAND PARTS IDENTIFICATION
Master Series Gas Xpress Grill
models XG24, XG36 (non-CE & CE versions)

GRILL BRACKET COMPONENTS

ITEM	PART #	DESCRIPTION	QTY		CRITICAL
			XG24	XG36	
1	4516682	Component Mounting Bracket for XG24 Model	1		
	4516078	Component Mounting Bracket for XG36 Model		1	
2	4516989	Motor Speed Control	2	3	C
3	4516079	Contactator Bracket	2	3	
4	G03559-1	24 Volt Transformer	2	3	C
5	1637001	Contactator	2	3	C
6A	1864901	Ignition Module 117V (non-CE)	2	3	C
6B	4522571	Ignition Module 230V (CE)	2	3	C
7	1865901	Ignition Module Bracket	2	3	
8	8002107	#10-32 x 1/2" SMSCR-TH-STL-PHIL-B	10	15	
9	8003204	#6-32 X 1/2" MSCR-PH-PHIL-STL-ZP	20	28	
10	8001502	#6-32 Nut with Lock Washer, KEP	24	36	
11	8000202	8 x 19/64 x 3/64 Washer	8	12	
12*	2654900	Rubber Edging	2 ft	2 ft	

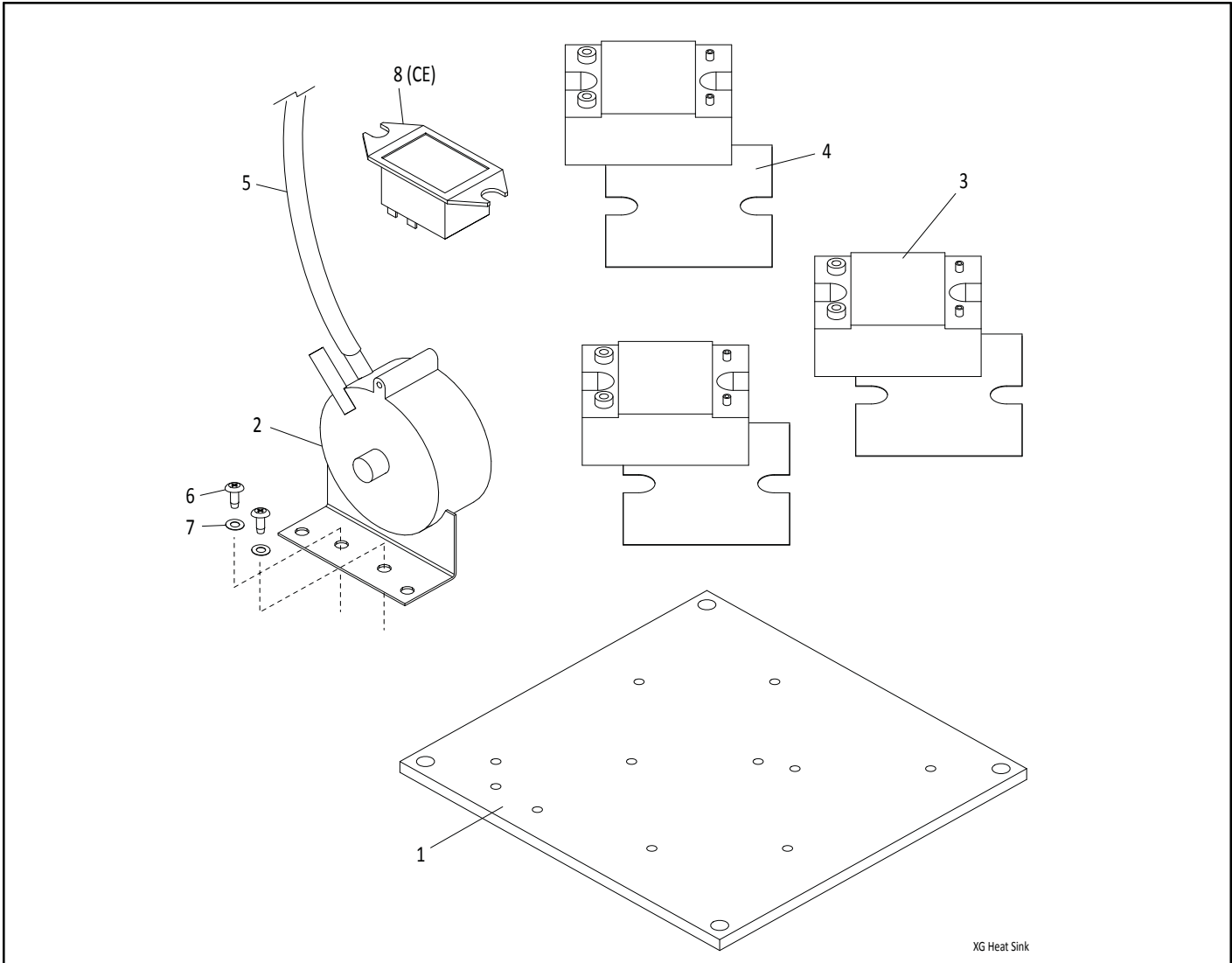
* NOT ILLUSTRATED

RECOMMENDED STOCK PARTS

GARLAND PARTS IDENTIFICATION

Master Series Gas Xpress Grill
models **XG24, XG36 (non-CE & CE versions)**

HEAT SINK COMPONENTS



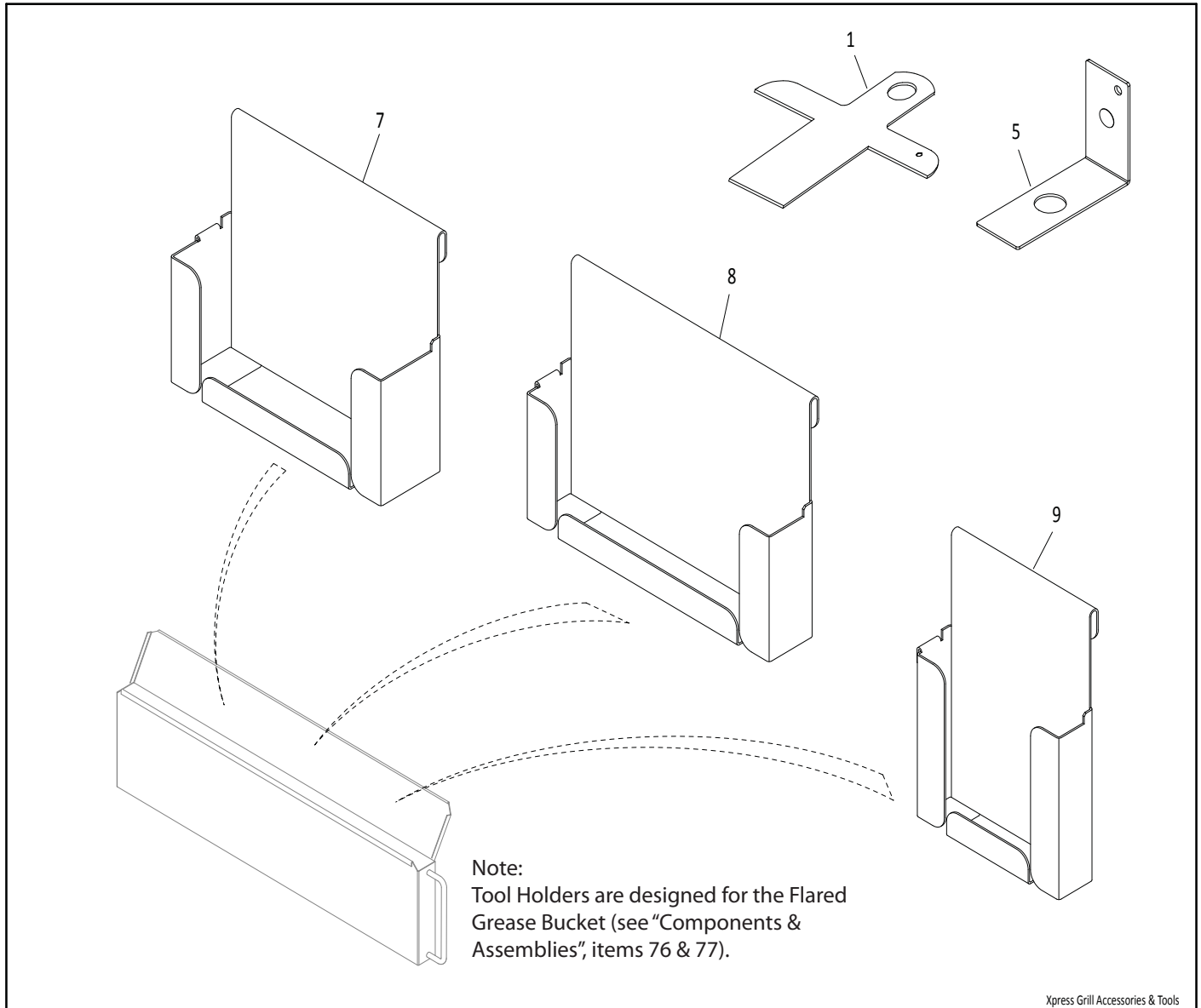
ITEM	PART #	DESCRIPTION	QTY (PER ZONE)	CRITICAL
1	4516116	Heat Sink	1	
2	4517392	Pressure Switch	1	C
3	4524082	Kit, Relay Note: Kit includes a relay and a thermal interface (item 4).	3	C
4	1811903	Thermal Interface	3	C
5	4523559	Silicone Tubing, Xpress Grill	2.1ft	C
6	8002107	#10-32 x 1/2" Smscr-Th-Stl-Phil-B	8	
7	8000202	8 x 19/64 x 3/64 Washer	2	
8	4531086	Kit, Relay Replacement (CE) Note: CE Models Only. Use this kit to replace obsolete relay, p/n 1811902. Kit includes a relay, an adaptor plate, terminals, and instructions.	1	C

* NOT ILLUSTRATED

RECOMMENDED STOCK PARTS

GARLAND PARTS IDENTIFICATION
Master Series Gas Xpress Grill
models XG24, XG36 (non-CE & CE versions)

ACCESSORIES & TOOLS



ITEM	PART #	DESCRIPTION	CRITICAL
1	4523323	Platen Adjuster Tool	C
5	1838701	Platen Leveling Tool	C
7	4526114	Tool Holder for Scraper	
8	4526115	Tool Holder for Wiper	
9	4526113	Tool Holder for Spatula	

* NOT ILLUSTRATED

RECOMMENDED STOCK PARTS

GARLAND PARTS IDENTIFICATION

Master Series Gas Xpress Grill

models XG24, XG36 (non-CE & CE versions)

LIST OF WIRE HARNESSSES & THEIR LOCATIONS

PART#	DESCRIPTION	LOCATION	QTY	
			XG24	XG36
1859852	XMFR Harness	Main Power Circuit Breaker, Main Power Switch, 240/120 volt Transformer, 120 volt Terminal Block, Main Terminal block	1	1
1859853	Control Harness	Low Voltage side of SSR's, 24 volt out-put on 120/24 volt transformer, encoder, upper/lower Limit Switches, Main Control, Motor Speed Control, Green and Black Push Buttons	2	3
4528552	Platen Harness (CE ONLY)	P1 Connector to the Platen Elements NOTE: Must replace this item together with new Fibreglass Sleeving 0007500FS (see item below).	2	3
1859855	Platen Harness (non-CE ONLY)		2	3
0007500FS	Fibreglass Sleeving (2 feet long each)	NOTE: Must Replace this item together with Platen Harness 1859855 / 4528552 (see item above).	2	3
1859860	Switch Harness	Green and Black Button Harness	2	3
1859829	Contacteur Jumper Harness	Straight leads from Terminal Block to Circuit Breakers	1	1
1859810	Power Switch Harness	Main Power Switch to Connector S3	1	1
1859861	XG24 120V Harness	Motor Speed Control, 120 volt side of 120/24 volts transformer, Power to Actuator, 120 volts terminal block	1	
1859850	XG36 120V Harness			1
1859862	XG24 CB Contacteur Harness	Circuit Breakers, Contacteurs, high Voltage side of SSR's for Platens, 120 volt terminal block	1	
1859851	XG36 CB Contacteur Harness			1
1859863	XG24 Ignition Harness	Pressure Switch, Ignition Module, Gas Valve, Main Control, Blower Motor, 120 volt Terminal Block	1	
1859864	XG24 (CE) Ignition Harness		1	
1859854	XG36 Ignition Harness			1
1859857	XG36 (CE) Ignition Harness			1
4522352	Wire Harness (CE) Ignition	Adaptor Harness Ignition Module and Ignition Harnesses (1859864 and 1859857)	2	3

LIST OF WIRING DIAGRAMS

(For Reference Only. Please contact Technical Service for assistance.)

PART#	DESCRIPTION
4520364	XG24 - 208 / 220 / 240 V
4520365	XG36 - 208 / 220 / 240 V
4520372	XG24 - 380 / 400 / 415 V 50Hz (CE)
4520371	XG36 - 380 / 400 / 415 V 50Hz (CE)

GARLAND PARTS IDENTIFICATION
CRITICAL & RECOMMENDED STOCK PARTS LIST
for models XG24, XG36 (non-CE & CE versions)

PART #	DESCRIPTION	QTY	
1855601	Upper/Lower Platen Limit Switch	1 / Platen	
1859401	Platen Thermocouple	1 / Platen	
4530036	Linear Actuator	1 / Platen	
4527294	Teflon Sheet Clip	1 / Platen	
1799303	Teflon Sheet	1 / Platen	
4526315	SPLIT (2-Piece) Shaft Wiper, 1.50 O.D, Orange Dot	2 / Platen	
4527091-01	1/16" Silicone Gasket (Cut to 8-3/8", 45 deg ends)	2 / Platen	
4527091-02	1/16" Silicone Gasket (Cut to 12-3/8", 45 deg ends)	2 / Platen	
1859101	Platen Adjuster Nut	4 / Platen	
1859102	Platen Adjuster Cap	4 / Platen	
1859103	Platen Lock Nut	4 / Platen	
4527290	Platen Shoulder Bolt (currently used)	4 / Platen	
8005401	Platen Shoulder Bolt (for older units)	4 / Platen	
1637001	Contactors	1 / Zone	
1859604	Push Button (Black)	1 / Zone	
1859605	Push Button (Green)	1 / Zone	
4516989	Motor Speed Control	1 / Zone	
4517392	Pressure Switch	1 / Zone	
4520578	Grill Plate Thermocouple	1 / Zone	
4522739	Fuse - 5 Amp. 125VAC 5mmx20mm	1 / Zone	
4524066	Electrode - Sense, 1/4" Female	1 / Zone	
4525537	Electrode - Igniter, Rajah	1 / Zone	
4525845	Blower / Motor 120V 60Hz	1 / Zone	
4529768	7/16CC to 3/8NPT Elbow Fitting	1 / Zone	
CK4528713	Surge Protector Kit (20 ohm 8A Thermistor)	1 / Zone	
G03559-1	24 Volt Transformer (Grill Bracket Component)	1 / Zone	
4523559	Silicone Tubing, Xpress Grill, for Pressure Switch	2.1ft / Zone	
1811903	Thermal Interface for Relay	3 / Zone	
4524082	Relay	3 / Zone	
1864001	Main Transformer	1 / Unit	
1872404	Power Switch, Red (Used UP TO 12-JAN-2010)	1 / Unit	
4527625	Power Switch with Light (Used FROM 13-JAN-2010)	1 / Unit	
4517811-1	XG24 Circuit Breaker - Multi-Block	1 / Unit	
4517812-1	XG36 Circuit Breaker - Multi-Block	1 / Unit	
1838701	Platen Leveling Tool		
4523323	Platen Adjuster Tool		
NON-CE models ONLY	1781301	Hi Limit - Auto Reset (non-CE)	1 / Platen
	4519752	Platen Assembly Complete 208V (non-CE)	1 / Platen
	4519753	Platen Assembly Complete 220V (non-CE)	1 / Platen
	4519755	Platen Assembly Complete 240V (non-CE)	1 / Platen
	1864701	Gas Valve - Natural Gas (non-CE)	1 / Zone
	1864702	Gas Valve - Propane (non-CE)	1 / Zone
	1864803	Ignition Cable (non-CE)	1 / Zone
	1864901	Ignition Module 117V (non-CE)	1 / Zone
	4525538	(non-CE) Service Kit - Igniter & Igniter Cable, Spark Plug Type	1 / Zone
	CE models ONLY	1866601	Hi Limit (CE)
4519756		Platen Assembly Complete 308V (CE)	1 / Platen
4519757		Platen Assembly Complete 400V (CE)	1 / Platen
4519758		Platen Assembly Complete 415V (CE)	1 / Platen
4531086		Ignition Relay (CE)	1 / Zone
4522571		Ignition Module 230V (CE)	1 / Zone
4525575		Ignition Cable (CE)	1 / Zone
4525576		(CE) Service Kit - Igniter & Igniter Cable (CE), Spark Plug Type	1 / Zone
4525846	Gas Valve - Nat / LP (CE)	1 / Zone	

GARLAND PARTS IDENTIFICATION

Master Series Gas Xpress Grill
models **XG24, XG36 (non-CE & CE versions)**

RELATED BULLETINS

BULLETIN #	SUBJECT	DATE
GAR-12-12-AIC	Garland Controller Kits for Xpress Grills (supersedes GAR-12-11-AIC)	Oct 4, 2012

REVISION HISTORY

REV	PAGE	ITEM#	NOTES	DATE	
0	NOTE: This new publication combined and replaced the following Parts Lists: <ul style="list-style-type: none"> • for XG24 — G_GHD_PL_XPRESS_XG24 (Rev 1) • for XG24CE — G_GHD_PL_XPRESS_XG24CE (Rev 1) • for XG36 — G_GHD_PL_XPRESS_XG36 (Rev 2) • for XG36CE — G_GHD_PL_XPRESS_XG36CE (Rev 1) 			DEC 15/11	
	4-5		Added introductory info.		
	6-11		6		Removed Grill Plate Welded Assembly Part#s - 4516718, 4517657.
			25		Added Power Cord & Plug Asm - 4525505, 4528593, 4528594
			27		Added 5A Fuse Part# 4522739.
			14		Added CK4528713 - Surge Protector Kit
			14		Use CK4520463 for Pivot Block Asm instead of 4520463.
			35-38, 39-46		Old gas inlet components - 35-38. New gas inlet components - 39-46.
			51		New controller kits and related bulletin.
			56		New power switch 4527625.
			61		New circuit breakers 4517811-1 and 4517812-1.
			79-80		New body side panels 4528976, 4528977.
			81-84		New caster and cater kit.
			29		New connector assembly 4529767.
			20		New standardized power cord plate 4529285.
			73		New grease bucket clips 4526931.
		12-13	8-10		Revised fasteners part#s/info.
	14-16		7		New shoulder bolt 4527290.
			36-40		New conduit kit and components info (changed from 3/8" to 1/2").
			34-35		Revised fasteners part#s/info.
			30		New teflon clip 4527294
	18-19		15		Added propane gas valve 1864702.
			16		New elbow fitting 4529768.
	22-23		4		24V Transformer use part# G03559-1, instead of 1269800.
			7		Ignition module bracket part# should be 1865901, not 4522390.
			8-12		Added fasteners part#s/info.
	24		5-7		Added silicone tubing and fasteners part#s/info.
	26				Added list of wiring diagrams.
			Added CE ignition wire harness 4522352.		
25			Removed Teflon Tool Asm (No Longer Available) (Tool Asm 4525560 which incl. Tool 4525561 & Gasket 4522581).		
28			Added New Bulletin info. (12-11-AIC)		
1		10	51	New DQ Menu programmed controller kit CK4531354.	
		13	3	New actuator 4530036 replaced 4525541.	
		24	8	Kit 4531086 replaced 1811902	
			3	Parts use relay kit 4524082.	
		25	6	Removed Grill Wiper 1868201. No longer available.	
		28		New bulletin - menu programmed controller kits	
	27		Revised critical parts list		
				OCT 4/12	

 **Garland**[®]

 **Manitowoc**