



MASTER SERIES
XG24-XPRESS GRILL GAS

PARTS LIST

Toll Free Phone, (US & Canada): (800) 427-6668

Toll Free Fax, (US & Canada): (800) 361-7745

<http://www.garland-group.com>

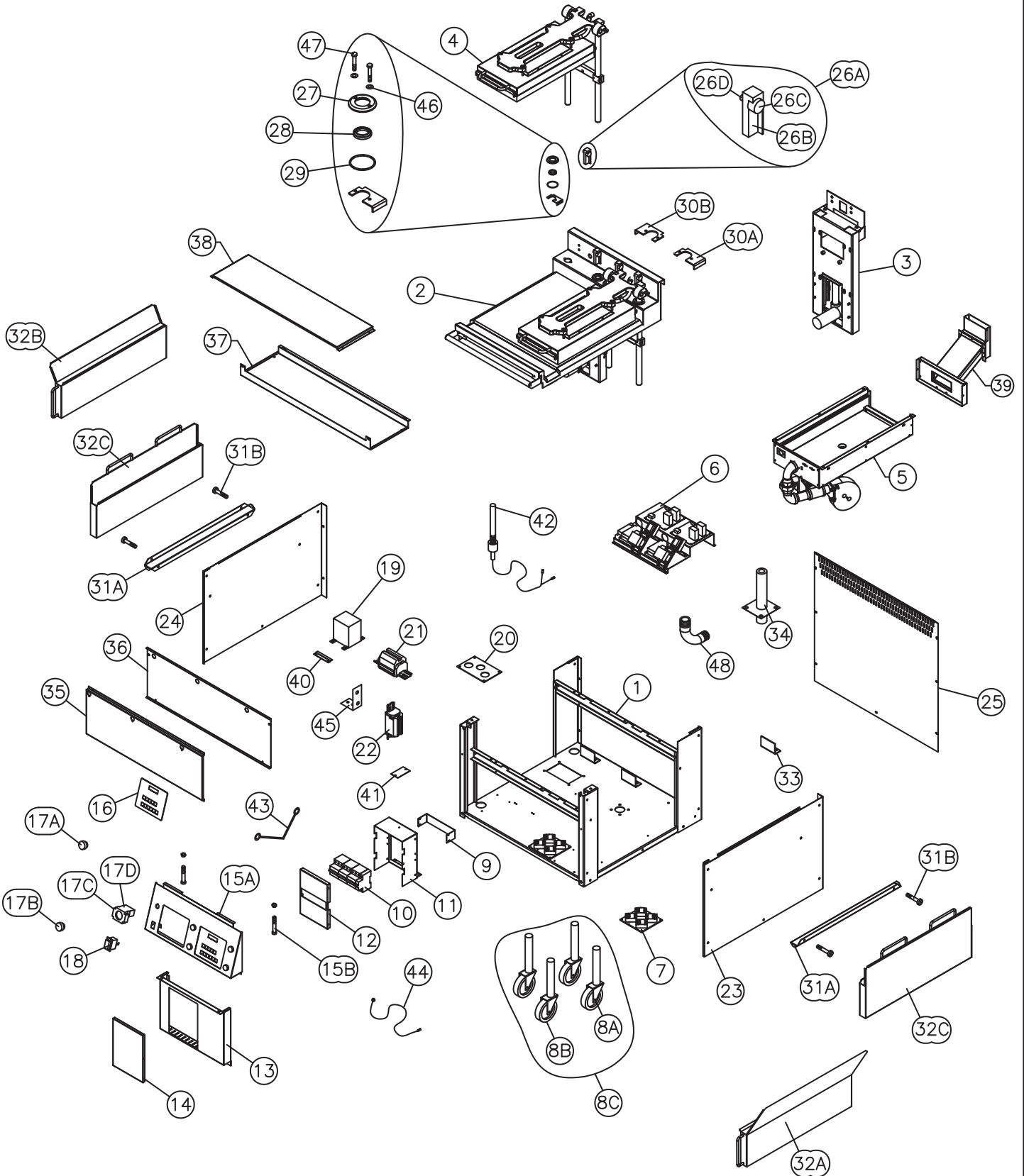


MASTER SERIES

XG24-XPRESS GRILL GAS

Contents:

| | |
|---|---------|
| Gas Xpress Grill Complete View | Page 4 |
| Actuator Assembly | Page 8 |
| Platen Assembly | Page 10 |
| Burner Assembly | Page 12 |
| Component Bracket Assembly | Page 14 |
| Heat Sink Assembly | Page 16 |
| Wiring Harness And Description Where Used | Page 18 |
| Accessories And Tools | Page 19 |
| Gas Tubing | Page 20 |
| Part Digital Photos | Page 21 |
| Revision History | Page 22 |



GARLAND PARTS IDENTIFICATION

Gas - Xpress Grill Complete Exploded View - Model: XG24-Version

| ITEM | PART # | DESCRIPTION | QUANTITY | CRITICAL |
|------|----------------|---|------------|----------|
| 1 | 4516708 | Body Base Weld Assembly | 1 | |
| 2 | 4516718 | Plate Weld Assembly | 1 | |
| 3 | Page 8 | Actuator Assembly | 1 per zone | |
| 4 | Page 10 | Platen Assembly | 1 per zone | |
| 5 | Page 12 | Burner Assembly | 1 per zone | |
| 6 | Page 14 | Component Bracket Assembly | 1 | |
| 7 | Page 16 | Heat Sink Assembly | 1 per zone | |
| 8A | 4516978 | Caster, Nonlocking | 2 | |
| 8B | 4517563 | Caster, Locking | 2 | |
| 8C | 4520678 | Caster Kit - Locking & Nonlocking | 1 | |
| 9 | 4516689 | Circuit Support | 1 | |
| 10 | 4517813 | Circuit Breaker Assembly, 3 Pole | 1 | C |
| 11 | 4516687 | Circuit Box | 1 | |
| 12 | 4516688 | Circuit Cover | 1 | |
| 13 | 4516685 | Front Panel Lower | 1 | |
| 14 | 4516686 | Access Door | 1 | |
| 15A | 4516684 | Front Panel Upper | 1 | |
| 15B | 8003219 | MSCR-PH-PHIL 8-32 X ½ STL ZP | 4 | |
| | 8001203 | Nut - Hex - STL 8-32 | 4 | |
| | 8000202 | LKWSHR - SPL-STL 8X1 9/64X3/64 | 4 | |
| 16A^ | 4516983 | Fast Control | 1 per zone | C |
| 16B^ | 4524774 | Quick Pick Control Generic | 1 per zone | |
| 17A | 1859604 | Push Button (Black) | 1 per zone | |
| 17B | 1859605 | Push Button (Green) | 1 per zone | |
| 17C | 1859606 | Contact Block | 2 per zone | C |
| 17D | 1859607 | Mounting Latch | 2 per zone | |
| 18 | 1872404 | Power Switch | 1 | C |
| 19 | 1864001 | Main Transformer | 1 | C |
| 20 | 1868901 | Power Cord Plate | 1 | |
| 21 | 4525397 | Terminal Block, 10Mm | 1 | C |
| 22 | 4516981 | Terminal Block, 120V | 1 | C |
| 23 | 4516105 | Body Side, Right | 1 | |
| 24 | 4516106 | Body Side, Left | 1 | |
| 25 | 4517393 | Back | 1 | |
| 26A | 4520463 | Arm Pivot Block Assembly | 2 per zone | |
| 26B | 1856802 | Arm Pivot Block | 2 per zone | |
| 26C | 1854902 | Cam Follower | 2 per zone | |
| 26D | 1854903 | Jam Nut | 2 per zone | |
| 27 | 4516098 | Seal Cap | 2 per zone | |
| 28 | 4524292 | Wiper Seal | 2 per zone | C |
| 29 | 4525256 | O-Ring | 2 per zone | C |
| 30A | 4520408 | Seal Cap Bracket Lt | 1 per zone | |
| 30B | 4520407 | Seal Cap Bracket Rt | 1 per zone | |
| 31A | 4516976 | Grease Bucket Support | 2 | |
| 31B | 8000213 | Lock Washer - SPL #10X0.334X.047 SS | 4 | |
| | 8000338 | Washer-FLT, 7/32 X 1/2, SS | 4 | |
| | 8003143 | MSCR-TH-PHIL 10-24 X 1-1/4 18-8 | 4 | |
| 32A | 4524822 | Grease Bucket BA Rt | 1 | |
| 32B | 5424823 | Grease Bucket BA Lt | 1 | |
| 32C | 4516308 | Grease Bucket BA (Straight) | 2 | |
| 33 | 4516977 | Actuator Base Brace | 1 per zone | |
| 34 | 1867703 | Gas Inlet | 1 | |
| 35 | 4517388 | Front Heat Shield, Outer | 1 | |
| 36 | 4517389 | Front Heat Shield, Inner | 1 | |

* NOT ILLUSTRATED

^ DIGITAL PHOTO AT THE END

RECOMMENDED STOCK PARTS

GARLAND PARTS IDENTIFICATION

Gas - Xpress Grill Complete Exploded View - Model: XG24-Version

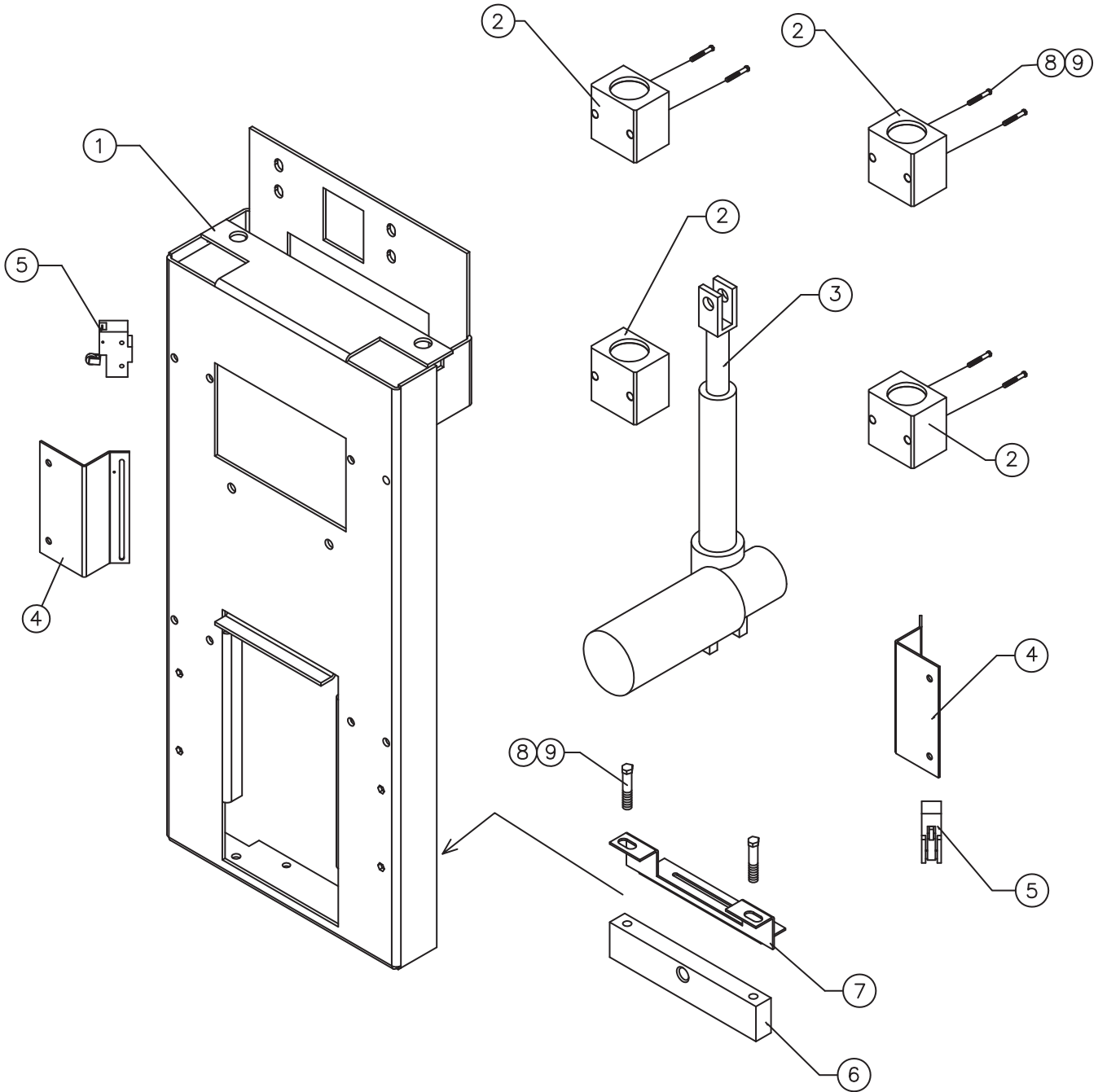
| ITEM | PART # | DESCRIPTION | QUANTITY | CRITICAL |
|------|----------------|------------------------------------|------------|----------|
| 37 | 4517390 | Burner Heat Shield, Lower | 1 | |
| 38 | 4517391 | Burner Heat Shield, Upper | 1 | |
| 39 | Page 12 | Flue Assembly | 1 per zone | |
| 40 | 1869301 | Transformer Bracket | 1 | |
| 41 | 4516114 | Circuit Brace | 1 | |
| 42 | 4520578 | Grill Plate Thermocouple | 1 per zone | C |
| 43 | 1866103 | Strain Relief Wire 12.5" | 2 | |
| 44 | 1866101 | Ground Wire 24" | 1 | |
| 45 | 4517025 | Terminal Bracket | 1 | |
| 46 | 1874301 | #8-32 O-Ring | 4 per zone | |
| 47 | 8003437 | MSCR - HH 8/32 x 1 Stl | 4 per zone | |
| 48 | 1027499 | 7/16CC Male Connector Ass'y 3/8NPT | 4 | |

* NOT ILLUSTRATED

^ DIGITAL PHOTO AT THE END

RECOMMENDED STOCK PARTS

NOTES



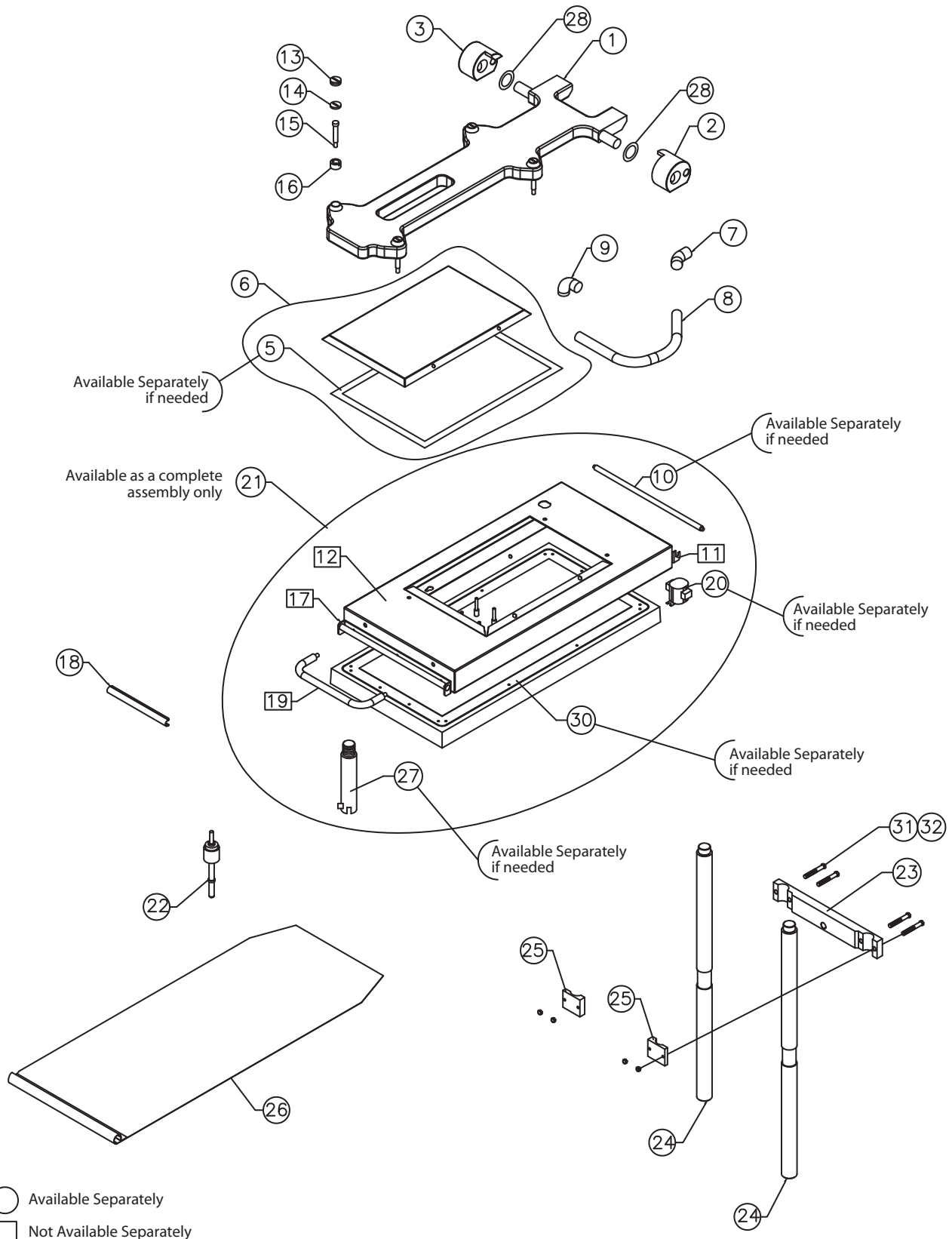
GARLAND PARTS IDENTIFICATION

Gas - Xpress Grill Actuator Assembly View - Model: XG24-Version

| ITEM | PART # | DESCRIPTION | QUANTITY | CRITICAL |
|------|----------------|--|----------|----------|
| 1 | 4516080 | Actuator Frame Wa | 1 | |
| 2 | 4518156 | Pillow Block Assembly | 4 | |
| 3 | 4525541 | Linear Actuator | 1 | C |
| 4 | 1857601 | Switch Bracket | 2 | |
| 5 | 1855601 | Upper/Lower Platen Limit Switch | 2 | C |
| 6 | 4518787 | Actuator Mount Block (Painted) | 1 | |
| 7 | 4516097 | Actuator Base Bracket | 1 | |
| 8 | 8003424 | 1/4" - 20 x 2.250" Shoulder Bolts | 8 | |
| 9 | 8000206 | 1/4" Lock Washer | 8 | |

* NOT ILLUSTRATED

RECOMMENDED STOCK PARTS



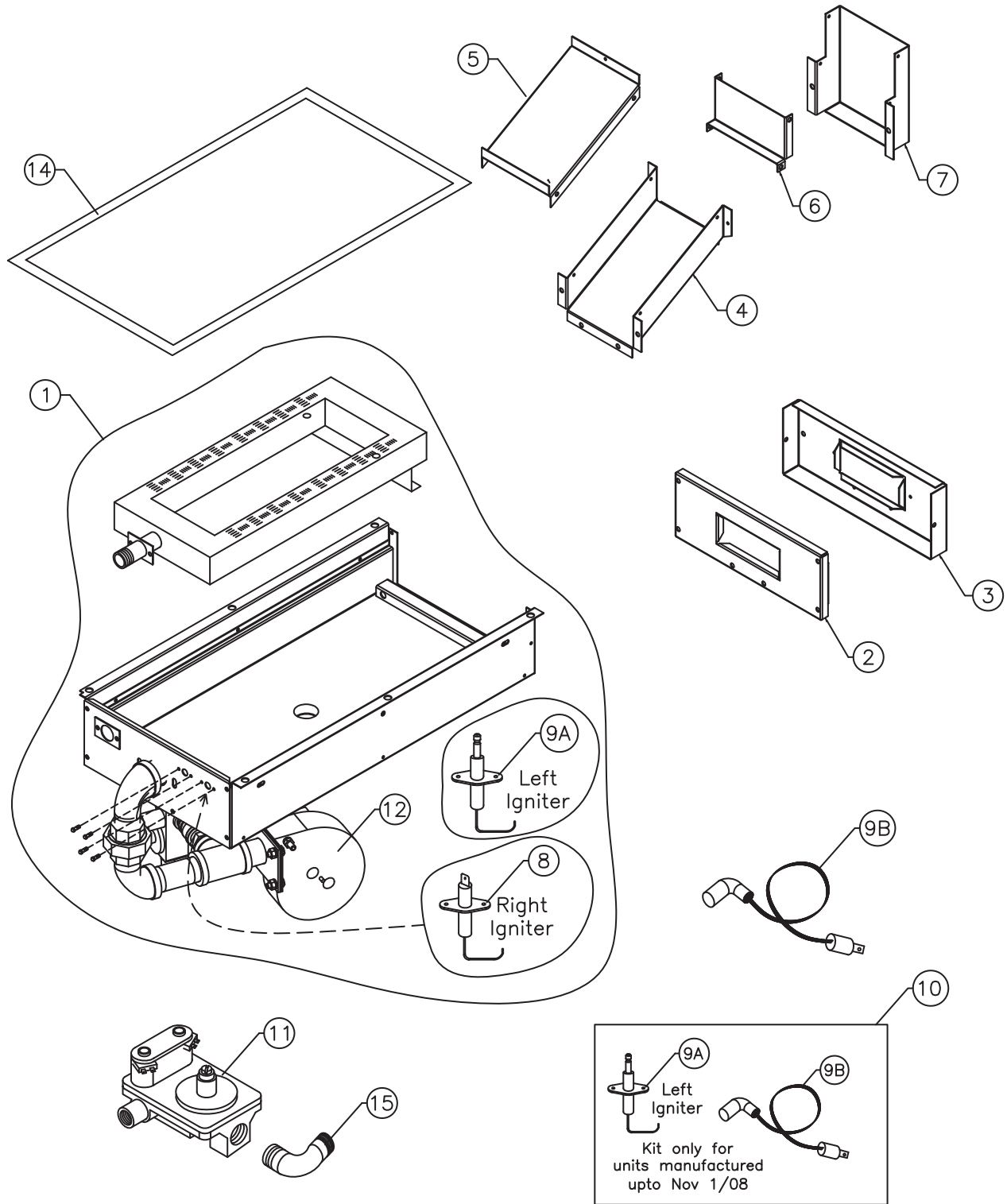
GARLAND PARTS IDENTIFICATION

Gas - Xpress Grill Platen Assembly View - Model: XG24-Version

| ITEM | PART # | DESCRIPTION | QUANTITY | Critical |
|------|----------------|--|----------|----------|
| 1 | 4516085 | Platen Arm | 1 | |
| 2 | 4520422 | Carriage Block, Assembly, Rt | 1 | |
| 3 | 4520423 | Carriage Block, Assembly, Lt | 1 | |
| 5 | 4522581 | 1/16 TH Silicone Gasket | 3.5 Ft | |
| 6 | 4516092 | Platen Lid | 1 | |
| 7 | 4517021 | 3/8 Connector, 45 Deg | 1 | |
| 8 | 4517022 | Platen Conduit | 1 | C |
| 9 | 4517020 | 3/8 Connector, 90 Deg | 1 | |
| 10 | 4517008 | Teflon Bar, Rear | 1 | |
| 11 | 4516094 | "Teflon Holder, Rear (Not Available Separately) Note: Not Field Replaceable" | 1 | |
| 12 | 4516091 | Platen Cowl (Not Available Separately) | 1 | |
| 13 | 1859102 | Platen Adjuster Cap | 4 | C |
| 14 | 1859103 | Platen Lock Nut | 4 | C |
| 15 | 8005401 | Shoulder Bolt | 4 | C |
| 16 | 1859101 | Platen Adjuster Nut | 4 | C |
| 17 | 4516093 | "Teflon Holder, Front (Not Available Separately) Note: Not Field Replaceable" | 1 | |
| 18 | 1851301 | Teflon Clip | 1 | C |
| 19 | 1859501 | Upper Platen Handle (Not Available Separately) | 1 | |
| 20 | 1781301 | Hi Limit - Auto Reset | 1 | C |
| 21 | 4519753 | Platen Assembly Complete 220V | 1 | C |
| | 4519752 | Platen Assembly Complete 208V | 1 | |
| | 4519755 | Platen Assembly Complete 240V | 1 | |
| 22 | 1859401 | Platen Thermocouple | 1 | C |
| 23 | 4516089 | Cross Member | 1 | |
| 24 | 4516084 | Actuator Shaft | 2 | |
| 25 | 4516090 | Cross Member Bracket | 2 | |
| 26 | 1799303 | Teflon Sheet | 1 | C |
| 27 | 1859402 | Grill Plate/Platen Bayonet Adapter | 1 | |
| 28 | 1855903 | Teflon Washer Small | 2 | |
| 30 | 1937701 | Goretex GSKT Tape .75W .065T | 5.5 Ft | |
| 31 | 8003423 | Mscr-HH-Grd5 1/4-20x1-1/4Stl 2 (to attach #23 & #25) | 4 | |
| 32 | 8000203 | Lkwshr - SPL 1/4 x 1/2 x 1/16 Stl 2P (to attach #23 & #25) | 4 | |

* NOT ILLUSTRATED

RECOMMENDED STOCK PARTS



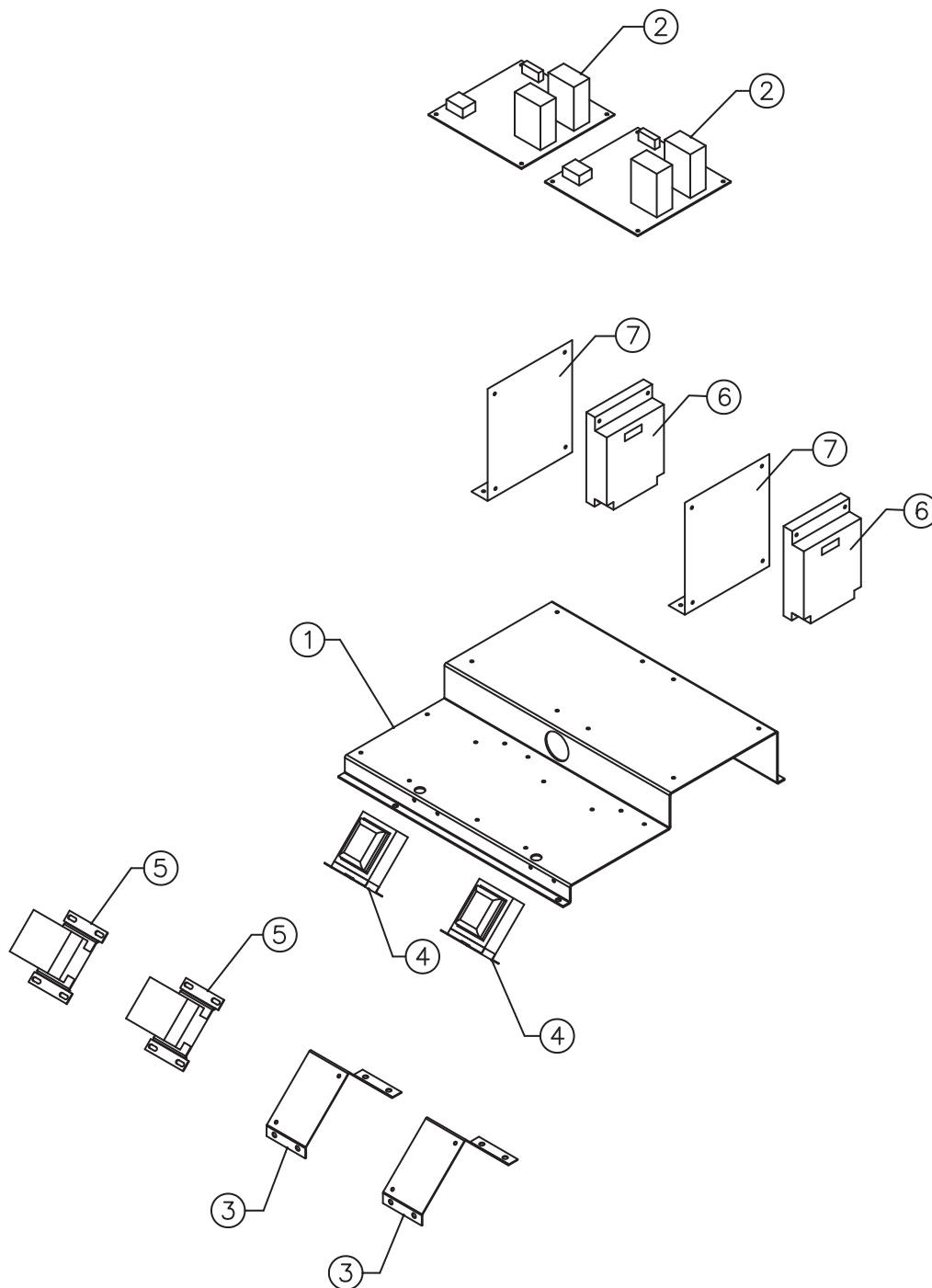
GARLAND PARTS IDENTIFICATION

Gas - Xpress Grill Burner Assembly View - Model: XG24-Version

| ITEM | PART # | DESCRIPTION | QUANTITY | UP TO | FROM | CRITICAL |
|------|-----------|--|--------------|----------|----------|----------|
| 1 | 4517403 | Burner Assembly, Lp | 1 | | | |
| | 4517462 | Burner Assembly, Nat | 1 | | | |
| 2 | 4517396 | Flue Box, Inner | 1 | | | |
| 3 | 4517397 | Flue Box, Outer | 1 | | | |
| 4 | 4517398 | Flue Bottom | 1 | | | |
| 5 | 4517399 | Flue Top | 1 | | | |
| 6 | 4517401 | Flue Riser, Inner | 1 | | | |
| 7 | 4517400 | Flue Riser, Outer | 1 | | | |
| 8 | 4524066 | Igniter <i>Note: If left igniter needs replacement - order kit item# 10</i> | 2 (see note) | 1-Nov-08 | | C |
| | | | 1 | | 2-Nov-08 | |
| 9A | 4525537 | Electrode Igniter - Rajah | 1 | | 2-Nov-08 | C |
| 9B | 1864803 | Ignition Cable | 1 | | 2-Nov-08 | C |
| 10 | 4525538 | Service Kit Igniter & Igniter Cable - Spark Plug Type <i>Included item # 9A & 9B Units Manufactured up to Nov 1/08 will required Kit</i> | 1 | 1-Nov-08 | | |
| 11 | 1864701 | Gas Valve - Nat | 1 | | | C |
| 12 | 4525845 | Blower / Motor 120V | 1 | | | C |
| 14 | WFT125750 | 1/8 x 3/4 Woven FG Tape W/PSA | 5.5 Ft | | | |
| 15 | 1027499 | 7/16CC Male Connector Ass'y 3/8NPT | 1 | | | |

* NOT ILLUSTRATED

RECOMMENDED STOCK PARTS



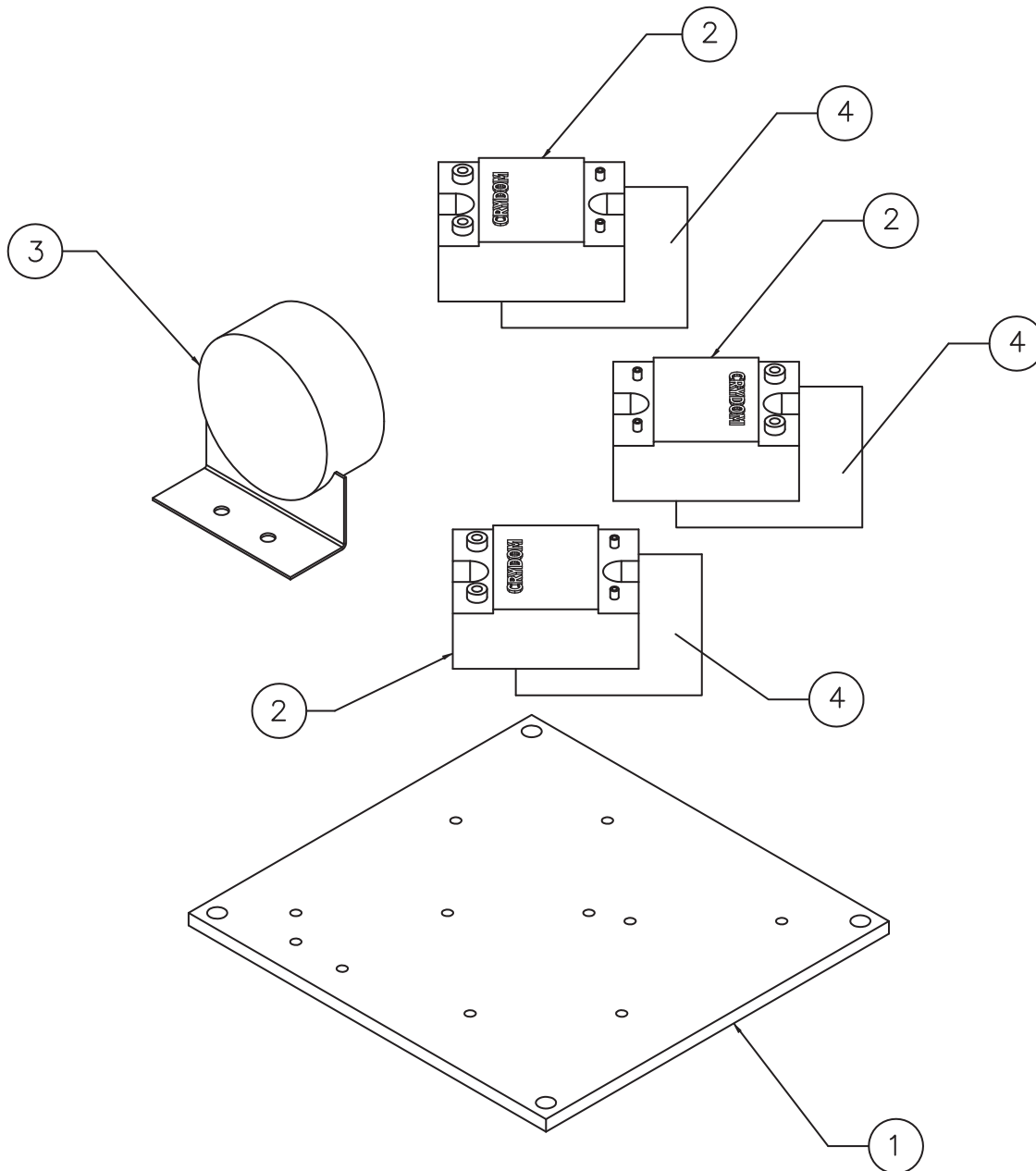
GARLAND PARTS IDENTIFICATION

Gas - Xpress Grill Component Bracket Assembly View - Model: XG24-Version

| ITEM | PART # | DESCRIPTION | QUANTITY | CRITICAL |
|------|----------------|----------------------------|----------|----------|
| 1 | 4516682 | Component Mounting Bracket | 1 | |
| 2 | 4516989 | Motor Speed Control | 2 | C |
| 3 | 4516079 | Contactactor Bracket | 2 | |
| 4 | 1269800 | 24 Volt Transformer | 2 | C |
| 5 | 1637001 | Contactactor | 2 | C |
| 6 | 1864901 | Ignition Module | 2 | C |
| 7 | 4522390 | Ignition Module Bracket | 2 | |

* NOT ILLUSTRATED

RECOMMENDED STOCK PARTS



GARLAND PARTS IDENTIFICATION

Gas - Xpress Grill Heat Sink Assembly View - Model: XG24-Version

| ITEM | PART # | DESCRIPTION | QUANTITY | CRITICAL |
|------|----------------|-----------------------|----------|----------|
| 1 | 4516116 | Heat Sink | 1 | |
| 2 | 4516988 | Relay | 3 | C |
| 3 | 4517392 | Pressure Switch | 1 | |
| 4 | 1811903 | Thermal Interface MAT | 3 | |

* NOT ILLUSTRATED

RECOMMENDED STOCK PARTS

GARLAND PARTS IDENTIFICATION

Gas - Xpress Grill Wire Harness And Description Where Used - Model: XG24 Version

| ITEM | PART # | DESCRIPTION & LOCATION | QUANTITY | CRITICAL |
|------|-----------|---|----------|----------|
| 1* | 1859861 | Description: 120V Harness Location: Motor Speed Control, 120 volt side of 120/24 volts transformer, Power to Actuator, 120 volts terminal block. | 1 | C |
| 2* | 1859862 | Description: CB Contactor Harness Location: Circuit Breakers, Contactors, high Voltage side of SSR's for Platens, 120 volt terminal block. | 1 | C |
| 3* | 1859852 | Description: XMFR Harness Location: Main Power Circuit Breaker, Main Power Switch, 240/1 20 volt Transformer, 120 volt Terminal Block, Main Terminal block | 1 | C |
| 4* | 1859853 | Description: Control Harness Location: Low Voltage side of SSR's, 24 volt out put on 120/24 volt transformer, encoder, upper/lower Limit Switches, Main Control, Motor Speed Control, Green and Black push Buttons | 2 | C |
| 5* | 1859863 | Description: Ignition Harness Location: Pressure Switch, Ignition Module, Gas Valve, Main Control, Blower Motor, 120 volt Terminal Block. | 1 | C |
| 6A* | 1859855 | Description: Platen Harness P1 Connector to the Platen Elements. | 2 | C |
| 6B* | 0007500FS | Fibreglass Sleeving (2 feet long each one) Must replace with item 6A | 2 | C |
| 7* | 1859860 | Description: Switch Harness Green and Black button Harness one per zone. | 2 | C |
| 8* | 1859829 | Description: Contactor Jumper Harness Straight leads from terminal Block to Circuit Breakers | 1 | C |
| 9* | 1859810 | Description: Power Switch Harness Location: Main Power Switch to Connector S3. | 1 | C |

* NOT ILLUSTRATED

RECOMMENDED STOCK PARTS

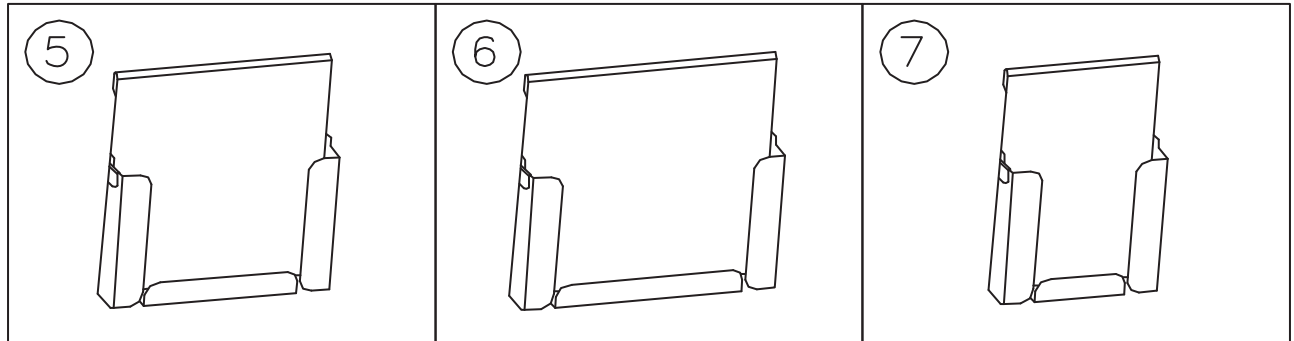
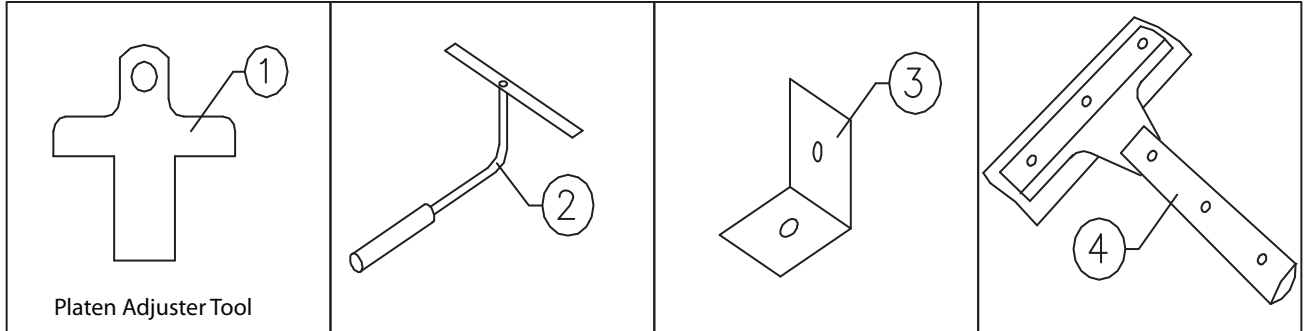
GARLAND PARTS IDENTIFICATION

Gas - Xpress Grill Accessories And Tools - Model: XG24-Version

| ITEM | PART # | DESCRIPTION | QUANTITY | CRITICAL |
|------|---------|-------------------------|----------|----------|
| 1 | 4523323 | Platen Adjuster Tool | | |
| 2 | 4525560 | Teflon Tool | | |
| 3 | 1838701 | Platen Leveling Tool CK | | |
| 4 | 1868201 | Grill Wiper | | |
| 5 | 4526114 | Tool Holder for Scraper | | |
| 6 | 4526115 | Tool Holder for Wiper | | |
| 7 | 4526113 | Tool Holder for Spatula | | |

* NOT ILLUSTRATED

RECOMMENDED STOCK PARTS



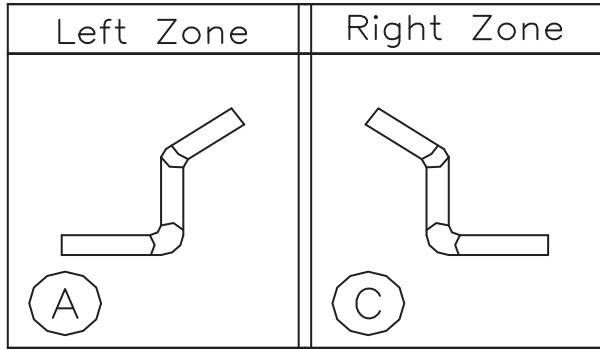
Note: Tool Holders Require The Flared Design Grease Buckets Found in Page 4, Items 32A & 32B

GARLAND PARTS IDENTIFICATION
Gas - Xpress Grill Gas Tubing - Model: XG24

| ITEM | PART # | DESCRIPTION | QUANTITY |
|------|---------|--|----------|
| A | 4517476 | Tubing, Left - (Location, left zone) | 1 |
| C | 4517475 | Tubing, Right - (Location, right zone) | 1 |

* NOT ILLUSTRATED

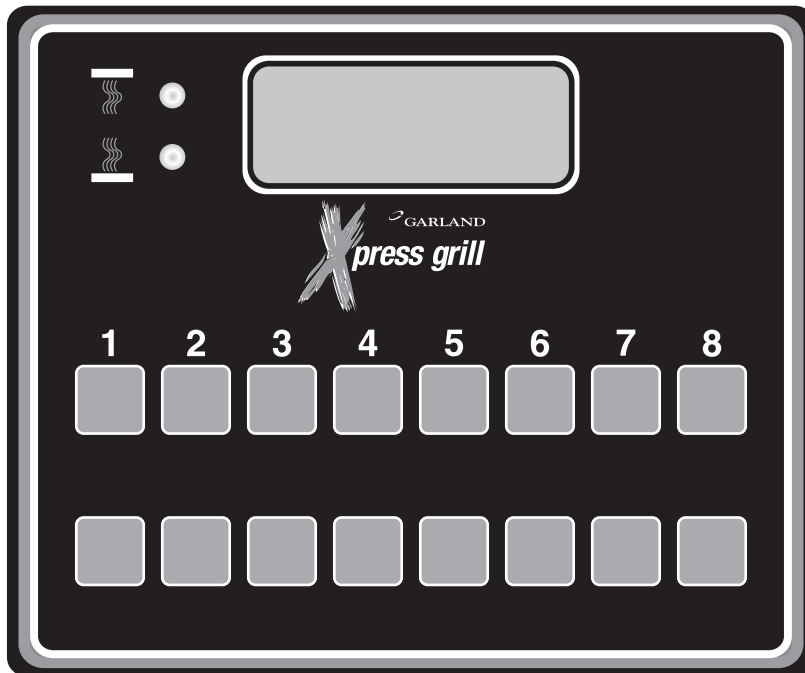
RECOMMENDED STOCK PARTS



GARLAND PARTS IDENTIFICATION
Gas - Xpress Digital Photos - Model: XG24 Version



| <u>Part Number</u> | <u>Description</u> | <u>Location</u> |
|--------------------|--------------------|-----------------|
| 4516983 | Fast Control | Page 5 Item 16A |



| <u>Part Number</u> | <u>Description</u> | <u>Location</u> |
|--------------------|----------------------------|-----------------|
| 4524774 | Quick Pick Control Generic | Page 5 Item 16B |

GARLAND PARTS IDENTIFICATION

Revision History

| REV. # | PAGE # | ITEM # | NOTE | DATE |
|--------|--------|--------|--|-----------|
| | | | Part List Book Released - XG24-VERSION | Mar 02/09 |

 **Garland**[®]