



# ***Master Series MST Models***

## **PARTS LIST**

Toll Free Phone, (US & Canada): (800) 427-6668

Toll Free Fax, (US & Canada): (800) 361-7745

<http://www.garland-group.com>





# Garland<sup>®</sup>

## Master Series

### MST Models

#### Contents:

#### Ranges & Attachments

Oven Section, (R, RE) .....	Page 4
Oven Section (RC, RCE) .....	Page 8
MST42/MST42-6 (R, RC, S, T, RE, RCE, SE, TE).....	Page 12
MST43 (R, RC, S, T, RE, RCE, SE, TE) .....	Page 26
MST44 (R, RC, S, T, RE RCE, SE, TE) /MS4 (S,T, SE, TE).....	Page 32
MST45 (R, RC, S, T, RE, RCE, SE, TE)/MST5(S, T, SE, TE).....	Page 40
MST46 (R, RC, S, T, RE, RCE, SE, TE)/MST6(S, T, SE, TE).....	Page 50
MST47/MST47-51/MST47-68 (R, S, T, RE, RCE, SE, TE)/MST7 S, T, SE, TE) .....	Page 58
MST54 (R, RC, S, T, RE, RCE, SE, TE) .....	Page 78
MST17B (E)/MST24B (E)/MST34B (E) Char-Broilers.....	Page 86

#### Fryers

MST35SS.....	Page 90
MST70Ss.....	Page 96

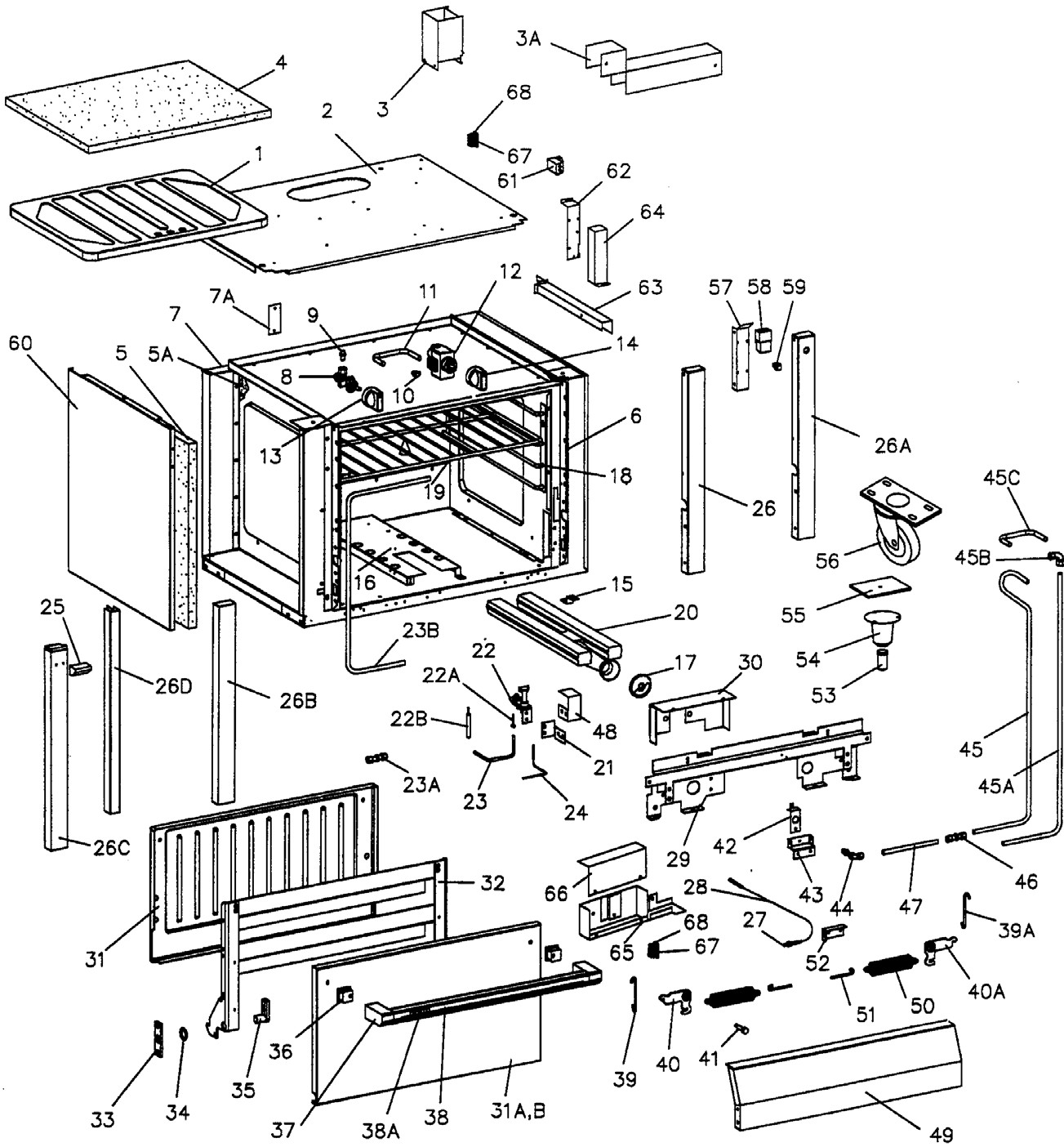
#### Broilers

MSTSRC/MSTSR16 Infra-Red Salamander.....	Page 100
MSTSR16-280 Infra-Red Salamander .....	Page 104
MSTSR16-288 Infra-Red Salamander .....	Page 108

#### Spreaders & Cabinets

M6/M9.M17/M34 (SP, FE) Spreaders.....	Page 112
M12ES/M17ES Storage Cabinets .....	Page 118
M34ES Spreader .....	Page 122
M17ES-SINK Spreader Cabinet w/Sink.....	Page 126

Revision History .....	Page 129
------------------------	----------



**GARLAND PARTS IDENTIFICATION**  
**Master Series**  
**Heavy Duty Range Oven Section (R, RE)**

ITEM	PART #	DESCRIPTION	QUANTITY
			MODEL
			R/RE
1	1438485	Oven Bottom Assembly	1
2	2512600	Burner Box Bottom - Aluminized	1
	2512601	Burner Box Bottom S/S	1
3	2558799	Flue Riser	1
4	1473205	Top Insulation	1
5	GM2	Insulation 30.5 x 27.5 x 2.5	2
5A	1472315	Insulation 28 x 21 x 2	1
6	2512899	Front Frame Assembly	1
7	G6051-1-17	Main Back	1
	2537700	Main Back - Elec. Ign	1
7A	2537600	Wire Access Cover - Elec Ing	1
8	2513399	F.S.D. Oven Valve Assembly (Safety Valve)	1
9	2198100	Valve Connector Fitting - 12 MM	1
10	1086597	Gum Valve 3/16" Pilot	1
11	2426100	Tube-Oven Valve to FD Control - 7/16" (M, MS, MST) 43	1
	2229900	Tube- Oven Valve to FD Control -7/16" (M, MS, MST) 42, 44, 45, 54 (Hot Top RT)	1
	2229600	Tube - Oven to FD Control -7/16" (M, MST) 46, 47	1
	2555901	Tube - Oven Valve to FD Control - 7/16" M54 Hot Top LT	1
	2538800	Tube - Oven Valve TO FD Control - 7/16" M48	1
12	G03145-048	FD Control Assembly	1
13	2522101	Knob (Oven Valve)	2
14	2522107	Knob - Oven T Stat ° F	1
	2522103	Knob - Oven T Stat ° C	1
15	2512200	Oven Burner Hold Down Bracket	1
16	2519400	Oven Burner Rest Support	1
17	2512100	Air Shutter	2
18	2424900	Oven Rack Slide Assembly LT & RT	1
19	2424800	Oven Rack	1
20	1014900	H Burner Oven	1
21	2498400	Oven Pilot Bracket	1
22	2200701	Pilot R/H (Pilot Assy)	1
22A	2200702	Pilot Orifice #32 - Natural Gas	1
	2200703	Pilot Orifice #23 - Propane Gas	1
	2200709	Pilot Orifice #40 - Manuf. Gas	1
22B	2200708	Electrode #0.915.025	1
23	2229800	Pilot Tube - Oven Pilot to Comp. Union	1
23A	076050-89	Compression Union 3/16"	1
23B	2426200	Tube - Oven Valve to Comp. Union 3/16" (M, MST, 46/47)	1
	2426201	Tube - Oven Valve to Comp. Union 3/16" (M, MS, MST 43)	1
	2426202	Tube - Oven Valve To Comp. Union 3/16" (M, MS, MST, 42, 44, 45, 54)	1
24	2200601	Thermocouple - 60"	1
25	2193000	Grease Tray Handle	1
26	2230502	Corner Column RT - M/R, MS/R	1
	2230504	Corner Column RT - MST/R	1
26A	2230501	Corner Column RT - MST/RE, MS/RE	1
26B	2201000	Corner Column LT	1
26C	2201499	Grease Container Assembly - (M, MS, MST) 42, 47, 48	1

\* NOT ILLUSTRATED

**RECOMMENDED STOCK PARTS**

## GARLAND PARTS IDENTIFICATION

### Master Series

#### Heavy Duty Range Oven Section (R, RE)

ITEM	PART #	DESCRIPTION	QUANTITY
			MODEL
			R/RE
26D	2201100	Corner Column LT (M, MS, MST) 42, 47, 48	1
27	1309201	Piezo Igniter #1244-41	1
28	2200205	Hi Tension Wire Lead - 24" (Oven)	1
29	1082001	Lower Front Plate	1
30	2512400	Oven Front Air Shield	1
31	1439703	Oven Door Liner	1
31A	2580100	Oven Door Panel - M40	1
31B	1439901	Oven Door Panel - MST40	1
32	G03984-03-8	Oven Door Insert Assembly (CK137D Complete Door)	1
33	1083001	Trunion Support	2
34	1082700	Harness Ring	2
35	1082500	Oven Door Trunion	2
36	2377300	Handle Ends Plastic Caps	2
37	2194900	Door Handle End RT	1
	2194901	Door Handle End LT	1
38	2193100	Oven Door Handle	1
38A	1592007	Handle Overlay	1
39	1082803	Oven Door Hinge Link LT	1
39A	1082802	Oven Door Hinge Link RT	1
40	1082198	Bell Crank (Left)	1
40A	1082199	Bell Crank (Right)	1
41	1082200	Bell Crank bolt	2
42	2512300	Oven Orifice Support Bracket	1
43	2301300	Door Spring Support	1
44	22701XX	Oven Orifice Fitting (Special) (Specify Gas/Destination)	1
	2270134F	Oven Orifice Fitting - Nat FAs (N. America)	1
	2270148F	Oven Orifice Fitting - Pro Gas (N. America)	1
	22701-2.6MM	Oven Orifice Fitting -G20 (Nat) & G25 (Nat) - Europe	1
	22701-1.8 MM	Oven Orifice Fitting -G31 (Pro) - Europe	1
45	2230000	Tube-FD Control to Comp. Union - M, MS, MST 42, 44, 45, 54	1
45A	2229200	Tube - Comp Union to 90 Deg Elbow 7/16" (M, MS, MST, 43, 46, 47, 48)	1
45B	1313800	Elbow - 7/16" 90° Compression (M, MS, MST 43, 46, 47, 48)	1
45C	2426000	Tube -FD Control to 90° Elbow 7/16" (M, MS, MST 43)	1
	2229400	Tube -FD Control to 90° Elbow 7/16" (M, MS, MST 46, 47, 48)	1
46	076050-88	Compression Union - 7/16"	1
47	2229500	Tube - Oven Orifice To Comp Union- 7/16"	1
48	2561100	Oven Pilot Shield	1
49	1789301	Lower Front Panel	1
50	1005800	Spring	2
51	9004701	Oven Door Spring Hook	2
52	2521700	Piezo Mounting Bracket	1
53	1150502	Bullet Legs	4
54	2093800	4" Stubby Leg Retainer	4
55	2167700	Base cover	4
56	1027800	Swivel Caster Less Brake	2
	1027801	Swivel Caster C/W Brake	2
57	2200900	Spark Module Mounting Bracket	1

\* NOT ILLUSTRATED

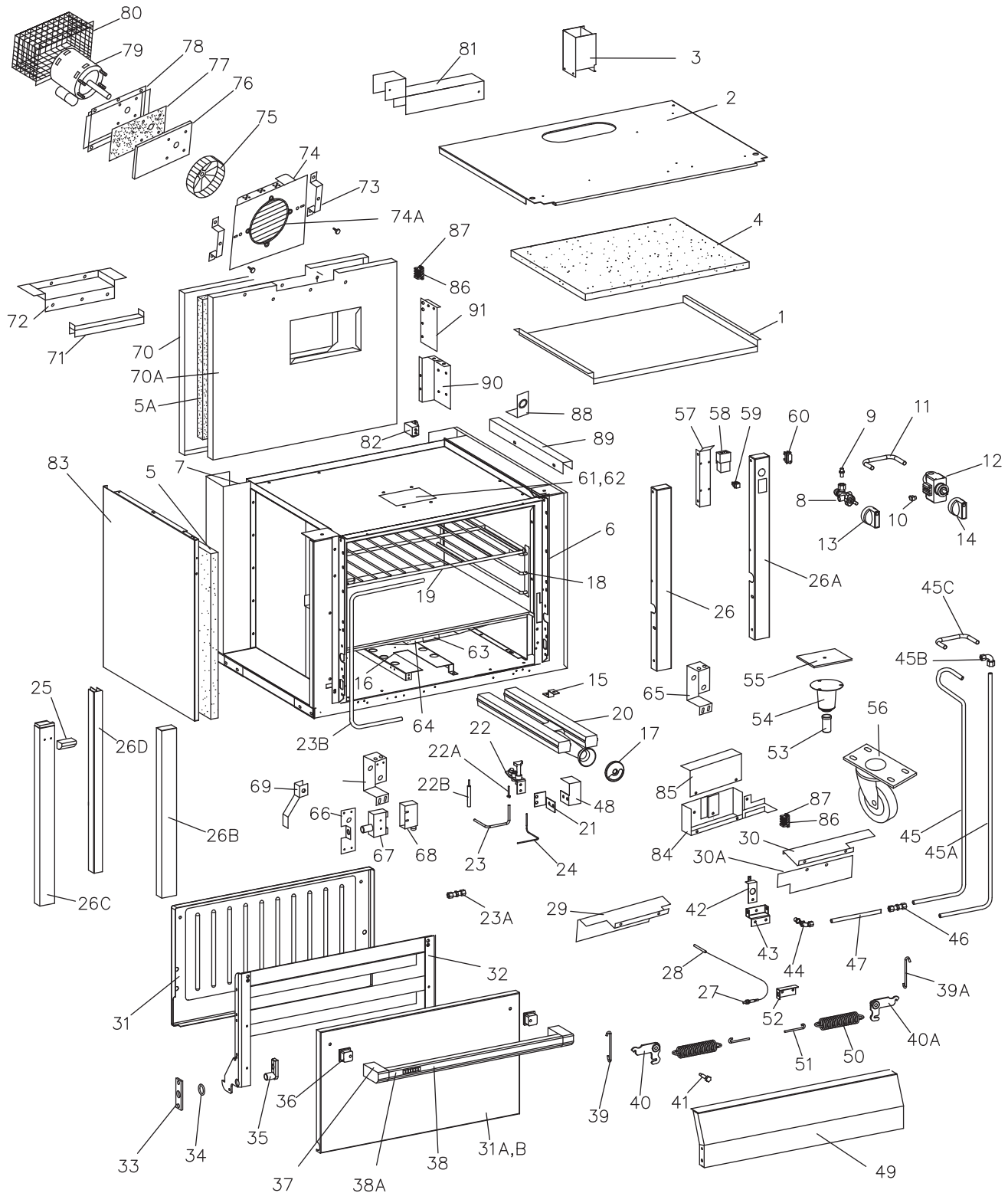
#### **RECOMMENDED STOCK PARTS**

**GARLAND PARTS IDENTIFICATION**  
**Master Series**  
**Heavy Duty Range Oven Section (R, RE)**

ITEM	PART #	DESCRIPTION	QUANTITY
			MODEL
			R/RE
58	2144000	240 V Spark Generator- 4 Outlet	1/2
	2144002	120 V Spark Generator - 4 Outlet	1/2
59	2200300	Push Button Switch (Elec Ign. Models)	1
60	G6196-1-8	Body Side (Painted)	2
	G6196-1-9	Body Side (S/S)	2
61	2533200	EMI Filter FN612-3.06 (MST Elec. Ign. Models)	1
62	2542700	Filter Supt Bracket	1
63	2527800	Wire Way	1
64	2527900	Terminal Black Enclosure	1
65	2561799	Electric Box Assy Front	1
66	2561800	Electric Box Cover Front	1
67	050069	Sectional Terminal Block	4
	050070	Sectional Terminal End	2
68*	4523398	Power Cord 6Ft 3/14Ga 15 Amp SJ00W	

\* NOT ILLUSTRATED

**RECOMMENDED STOCK PARTS**





## GARLAND PARTS IDENTIFICATION

### Master Series

#### Heavy Duty Convection Oven Section (RC, RCE)

ITEM	PART #	DESCRIPTION	QUANTITY
1	1412699	Top Insulation Pan Assembly	1
2	2512600	Burner Box Bottom - Aluminized	1
	2512601	Burner Box Bottom - SS	1
3	2558799	Flue Riser Assembly	1
4	1309022	Top Insulation - Cera Wool 22" x 28 3/4"	1
	1309025	Top Insulation Pan - Cera Wool 3" x 26 1/2"	
5	1309021	Side Insulation - Cera Wool 22" x 21 5/8"	2
5A	1472200	Rear Insulation - Fiberglass 22 1/2" x 27 1/2"	1
	1472202	Rear Insulation Lower Back - Fiberglass 22 1/2" x 27 1/2"	1
6	2512899	Front Frame Assembly	1
7	2397000	Main Back	1
8	2513399	F.S.D. Oven Valve Assembly	1
9	2198100	Valve Connector Fitting - 12 MM	1
10	1066597	Gum Valve - 3/16" Pilot	1
11	2426100	Tube - Oven Valve to FD Control 7/16" (M,MS, MST) 43	1
	2229900	Tube - Oven Valve to FD Control 7/16" (M,MS, MST) 42,44,45,54 (Hot Top-RT)	1
	2229600	Tube - Oven Valve to FD Control 7/16" (M, MST) 46,47	1
	2555901	Tube - Oven Valve to FD Control 7/16" M54 Hot Top LT	1
	2538800	Tube - Oven Valve to FD Control 7/16" M48	1
12	G03145-048	FD Control Assembly	1
13	2522101	Knob (Oven Valve) - 4152150	2
14	2522107	Knob - Oven T' Stat °F - 4512141	1
	2533103	Knob - Oven T' Stat °C	1
15	2512200	Oven Burner Hold Down Bracket	1
16	2519400	Oven Burner Rest Support	1
17	2512100	Air Shutter	1
18	1311101	Right Side Rack Assembly Plate	1
	1311100	Left Side Rack Assembly Plate	1
19	2424800	Oven Rack	2
20	1014900	H Burner-Oven	1
21	2498400	Oven Pilot Bracket	1
22	2200700	Pilot Burner RH	1
22A	2200702	Pilot Orifice #32 Nat.	1
	2200703	Pilot Orifice #23 Pro.	1
	2200709	Pilot Orifice #40 Manuf. Gas	1
22B	2200708	Electrode #0.915.025	1
23	2229800	Pilot Tube - Oven Pilot To Comp. Union	1
23A	076050-89	Compression Union 3/16" Tube	1
23B	2426200	Tube - Oven Valve to Comp Union 3/16" (M, MST, 46/47)	1
	2426201	Tube - Oven Valve to Comp Union 3/16" (M, MST, 43)	1
	2426202	Tube - Oven Valve to Comp Union 3/16" (M, MST, 42,44,45,54)	1
24	2200601	Thermocouple - 60"	1
25	2193000	Grease Tray Handle - (M,MS,MST) 42, 47, 48	1
26	2230500	Corner Column RT - MST/RCE, MS/RCE	1
26A	2230503	Corner Column RT - M/RC,MS/RC	1
	2230503	Corner Column RT - MST/RC	1
26B	2201000	Corner Column LT	1
26C	2201499	Grease Container Assembly	1
26D	2201100	Corner Column LT (M,MS,MST) 42,47,48	1

\* NOT ILLUSTRATED

#### **RECOMMENDED STOCK PARTS**

## GARLAND PARTS IDENTIFICATION

### Master Series

#### Heavy Duty Convection Oven Section (RC, RCE)

ITEM	PART #	DESCRIPTION	QUANTITY
27	1309201	Piezo Igniter #1244-41	1
28	2200205	Hi Tension Wire Lead 24"	1
29	2519000	Left Roll Out Sheila	1
30A	1391100	Roll Out Shield Support	1
30	2519100	Right Roll Out Shield	1
31	1439703	Oven Door Liner	1
31A	2580100	Oven Door Panel - M40	1
31B	1439901	Oven Door Panel - MST40	1
32	G03984-03-8	Oven Door Insert Assy	1
33	1083001	Trunion Support	2
34	1082700	Harness Ring	2
35	1082500	Oven Door Trunion	2
36	2377300	Handle Ends Plastic Caps	2
37	2194900	Door Handle End RT	1
	2194901	Door Handle End LT	1
38	2193100	Oven Door Handle	1
38A	1592007	Handle Overlay	1
39	1082803	Oven Door Handle Link LT	1
39A	1082802	Oven Door Hinge Link RT	1
40	1082198	Bell Crank Assembly LH	1
40A	1082199	Bell Crank Assembly RH	
41	1082200	Bell Crank Bolt	2
42	2512300	Oven Orifice Support Bracket	1
43	2301300	Door Spring Support	1
44	22701XX	Oven Orifice Fitting (Special)	1
	2270134F	Oven Orifice Fitting - Nat Gas N. America	1
	2270148F	Oven Orifice Fitting - Pro Gas N. America	1
	22701-2.5MM	Oven Orifice Filling - G20 (Nat) & G25 (Nat) Europe	1
	22701-1.5MM	Oven Orifice Fitting - G31 (Prop) Europe	1
45	2230000	Tube - FD Control to Comp. Union - M/MS/MST 42,44,45,54	1
45A	2229200	Tube - Comp Union to 90 Deg Elbow 7/16" (M,MS, MST, 42,44,45,54)	1
45B	1313800	Elbow - 7/16" 90° Compression (M,MS,MST 42,44,45,54)	1
45C	2426000	Tube - FD Control To 90° Elbow (7/16") (M/MS/MST 43)	1
	2229400	Tube - FD Control To 90° Elbow (7/16") (M/MST46,47,48)	1
46	076050-88	Compression Union - 7/16"	1
47	2229500	Tube - Oven Orifice to Comp. Union - 7/16"	1
48	2561100	Oven Pilot Shield	1
49	1789301	Lower Front Panel	1
	1789402	Lower Hinge Panel Bracket LH	1
	1789401	Lower Hinge Panel Bracket RH	1
50	1005800	Door Spring Support	2
51	9004701	Oven Door Spring Hook	2
52	2521700	Piezo Mounting Bracket	1
53	1150502	Bullet Legs	4
54	2093800	Stubby Leg Retainer	4
54A*	2093800	Stubby Leg Retainer (Optional)	4
55	2167700	Base Corner	4
56	1027800	Swivel Caster Less Brake	2
	1027801	Swivel Caster C/W Brake	2

\* NOT ILLUSTRATED

#### **RECOMMENDED STOCK PARTS**

## GARLAND PARTS IDENTIFICATION

### Master Series

#### Heavy Duty Convection Oven Section (RC, RCE)

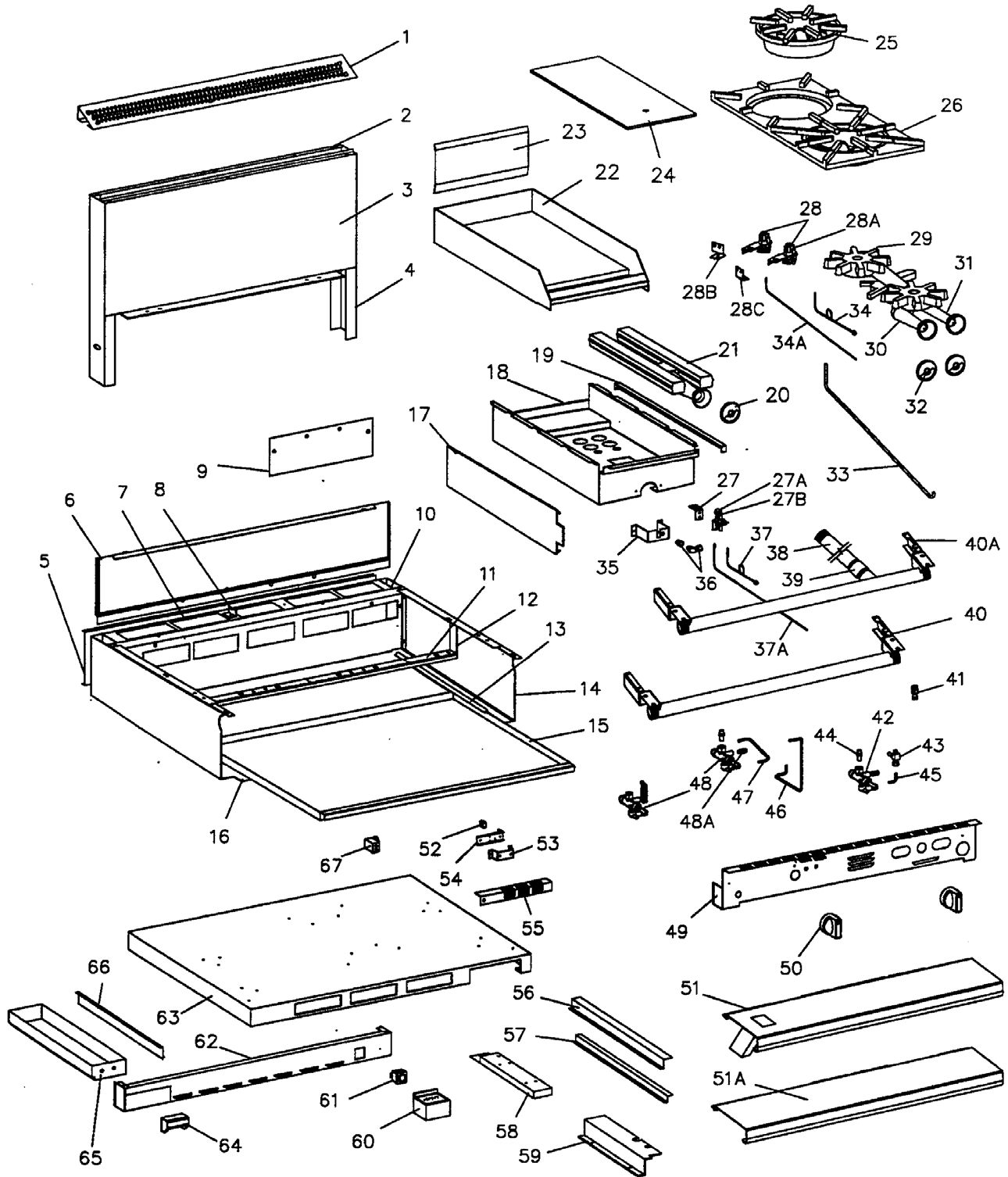
ITEM	PART #	DESCRIPTION	QUANTITY
57	2200900	Spark Module Mounting Bracket	1
58	2144000	240V Spark Generator - 4 Outlet	2
	2144002	120V Spark Generator - 4 Outlet	2
59	2200300	Push Button Switch (Elec Ign. Models)	1
60	1729100	3 Position Switch McGill	1
61	1412300	Vent Slide	1
62	1412400	Vent Slide Housing	1
63	1357700	Fireplate	1
64	1411500	Casting Bottom	1
65	G04071-1-7	Bell Crank Support	2
66	2425200	Switch Mounting Bracket	1
67	2398600	Switch W/Seal Cap	1
	G10503-15	Activating Pin	
68	2398700	Terminal Cover	1
69	4526085	Hinge RC Door Switch Use From Serial # 0903100100739 Model:M44RC-0254 (Date: March 23/09)	1
70	2397000	Main Back	1
70A	2396999	Main Back Insulation Pan Assy	1
71	1411900	Insulation Cover Bracket	1
72	G03857-1-6	Flue Box Cover	1
73	1361299	Air Baffle Support Assembly	2
74	2395999	Air Baffle Assembly (Enamel)	1
74A	2520100	Fan Protector Screen	1
75	G02952-01P	Blower Wheel Assembly Plated	1
76	2396700	Motor Mount Plate	1
77	1669100	Motor Pocket Insulation	1
78	2396600	Motor Mounting Pocket	1
79	2485801	Motor PSC 1/3HP 115V, 60 HZ	1
	2485800	Motor PSC 1/3HP 208.240V, 50HZ	1
80	2519799	Motor Guard Assembly	1
81	2224500	Concealed Flue Diverter	1
82	2533201	EMI Filter - FNG 12-6/06 (MST Elec Ignition)	1
83	G6196-1-8	Body Side (Painted)	2
	G6196-1-9	Body Side (S/S)	2
84	2561799	Electrical Box Assy Front	1
85	2561800	Electrical Box Cover Front	1
86	050069	Sectional Terminal Block	1
87	050070	Sectional Terminal End	1
88	G01930-03-7	Wire Way Assembly	1
89	G03856-1-6	Wire Channel	1
90	2562400	Terminal Box	1
91	2564300	Terminal Box Enclosure	1

\* NOT ILLUSTRATED

#### **RECOMMENDED STOCK PARTS**



MASTER SERIES  
HEAVY DUTY GRIDDLE (EVEN HEAT HOT TOP) & OPEN  
TOP SECTION  
MODELS: MST42R,RC,S,T,RE,RCE,SE,TE  
MST-42-6R,RC,S,T,RE,RCE,SE,TE



## GARLAND PARTS IDENTIFICATION

### Master Series

### Heavy Duty Griddle, (Even-Heat Hot Top) & Open Top Section

#### Models MST42R, RC, S, T

ITEM	PART #	DESCRIPTION	QUANTITY			
			MODEL			
			MST42R	MST42RC	MST42S	MST42T
1	1790602	LP BG Flue Cap 34"	1	1	1	1
2	1816407	LP BG Back Guard 34" AZ	1	1	1	1
	1816408	LP BG Back Guard 34" SS	1	1	1	1
3	1817304	LP Front Panel 34"	1	1	1	1
4	1768599	LP BG Upright Assy S/W	2	2	2	2
5	G7341-1-6	Rear Radiation Shield	1	1	1	1
	G7341-6-6	Rear Radiation Shield - RR Gas	1	1	1	1
6	1806101	Burner Box Back	1	1	1	
	2546400	Burner Box Back				1
	1086410	Burner Box Back - RR Gas	1	1	1	
	2546410	Burner Box Back - RR Gas				1
7	2553000	Back Top MST 40	1	1	1	1
8	2559000	Backguard Spacer	1	1	1	1
9	2570900	Back Top Baffle	1	1	1	1
10	1768399	Shelf Mtg. Brkt. Assy LT	1	1	1	1
	1768398	Shelf Mtg. Brkt. Assy RT	1	1	1	1
11	2552400	Burner Rest	1	1	1	1
12	2337400	Burner Hanger - RH	1	1	1	1
	2552600	Burner Hanger - LH	1	1	1	1
13	2505400	Drip Tray Guide RH	1	1	1	1
	2505401	Drip Tray Guide LH	1	1	1	1
14	1132804	Burner Box Side RH/CRS	1	1	1	
	1132805	Burner Box Side RH/SS	1	1	1	
	1132806	Burner Box Side LH/CRS	1	1	1	
	1132807	Burner Box Side LH/SS	1	1	1	
	2247600	Burner Box Side RH/CRS				1
	2247601	Burner Box Side RH/SS				1
	2247602	Burner Box Side LH/CRS				1
2247603	Burner Box Side LH/SS				1	
15	2342803	Drip Pan	1	1	1	1
16	2512600	Burner Box Bottom	1	1	1	
	2247000	Burner Box Bottom				1
17	G7338-1-6	Side Radiation Shield	1	1	1	1
18	2517399	Fire Box Body Assy	1	1	1	1
19	2404500	Top Grate Support	1	1	1	1
20	1028002	Air Shutter	1	1	1	1
21	1014900	Griddle H Burner	1	1	1	1
22	1781485	Frytop Assy	1	1	1	1
	1781469	Grooved Griddle Assy	1	1	1	1
23	G0444-017-9	Rear Splashguard Assy	1	1	1	1
25	1769101	Ring Grate/Bowl 35K	2	2	2	2
26	1769001	Top Grate 35K Burner	1	1	1	1
27	2194100	H Burner Pilot Bracket	1	1	1	1
27A	2200700	Pilot Burner RH	1	1	1	1
27B	2200702	Pilot Orifice #32 Nat	1	1	1	1
	2200703	Pilot Orifice #23 Pro	1	1	1	1
	2200709	Pilot Orifice #40 Mfg	1	1	1	1
	2200704	Compression Nut- 3/16	1	1	1	1

\* NOT ILLUSTRATED

#### **RECOMMENDED STOCK PARTS**

## GARLAND PARTS IDENTIFICATION

### Master Series

### Heavy Duty Griddle, (Even-Heat Hot Top) & Open Top Section

#### Models MST42R, RC, S, T

ITEM	PART #	DESCRIPTION	QUANTITY			
			MODEL			
			MST42R	MST42RC	MST42S	MST42T
27B	2200705	Olive Sleeve-3/16	1	1	1	1
Cont	2200706	Nut-Thermocouple Retaining	1	1	1	1
28	2520800	Pilot Burner	2	2	2	2
28A	2520804	Sleeve 3/16" Compression	2	2	2	2
	2200704	Compression Nut- 3/16"	2	2	2	2
	2200706	Nut-Thermocouple Retaining	2	2	2	2
	2520801	Pilot Orifice - Nat 51	2	2	2	2
	2520802	Pilot Orifice - Pro 30	2	2	2	2
	2520803	Pilot Orifice - Mfg Gas	2	2	2	2
28B	2550200	Pilot Bracket MST44	1	1	1	1
28C	2550201	Pilot Bracket - 25K Front	1	1	1	1
29	2528200	Burner Head	2	2	2	2
30	2528000	Front Burner Housing	1	1	1	1
31	2528100	Rear Burner Housing	1	1	1	1
32	2519200	Air Shutter	2	2	2	2
33	2341400	Pilot Tube -Front	1	1	1	1
	2341500	Pilot Tube -Rear	1	1	1	1
34	2200600	Thermocouple - 18" Front	1	1	1	1
	2200601	Thermocouple - 24" Rear	1	1	1	1
35	2188700	Orifice Support	1	1	1	1
36	G02486-2.2mm	Orifice Fitting-Nat (N. America)	1	1	1	1
	G02486-53	Orifice Fitting-Pro (N. America)	1	1	1	1
	G02486-2.1MM	Orifice Fitting-Nat G20/G25 Europe-CE	1	1	1	1
	G02486-54F	Orifice Fitting-Pro G31 Europe-CE	1	1	1	1
	G02486-00	Orifice Fitting-Special (Spec. Gas/Dest.)	1	1	1	1
	M8-XX	Orifice-MFG Gas ( Spec. Gas/Dest)	1	1	1	1
37	2200600	Thermocouple-18"	1	1	1	1
38	1340521	Pipe Nipple RR Gas 1" x 33" Lg	1	1	1	1
39	076029-183	Coupling-1 1/4" x 1"	1	1	1	1
40	2394599	Manifold Assy Std.	1	1	1	1
40A	2394598	Manifold Assy - RR Gas	1	1	1	1
41	G02251-1	Test Spigot	1	1	1	1
42	2200199	Valve-Flame Failure	2	2	2	2
	2595199	Valve/Adapter Assy.-Mfg. Gas	1	1	1	1
43	G7266-37F	Orifice Holder- Nat (N. America)	2	2	2	2
	G7266-1.8MM	Orifice Holder- Pro (N. America)	2	2	2	2
	G7266-37F	Orifice Holder- Nat G20/25 (Europe-CE)	2	2	2	2
	G7266-1.8MM	Orifice Holder- Pro G31 (Europe-CE)	2	2	2	2
	G7266-XX	Orifice Holder- Less Hood (Special)	2	2	2	2
	M9-XX	Orifice-Mfg Gas (Spec. Gas/Dest.)	2	2	2	2
44	2198102	Valve Connector Fitting-10mm	3	3	3	3
45	2519600	1/4 Tube Valve to Orifice	2	2	2	2
46	229300	Pilot Tube-3/16"	1	1	1	1
47	2229700	Tube-Valve to Orifice 1/4"	1	1	1	1
48	2200199	Flame Failure Valve 46/47	1	1	1	1
	2200195	FF Valve/Adapter Assy-Mfg Gas	1	1	1	1
48A	1086597	Gum Valve 3/16"	1	1	1	1
49	2552500	Valve Panel	1	1		
	2552501	Valve Panel			1	1

\* NOT ILLUSTRATED

#### **RECOMMENDED STOCK PARTS**

## GARLAND PARTS IDENTIFICATION

### Master Series

### Heavy Duty Griddle, (Even-Heat Hot Top) & Open Top Section

#### Models MST42R, RC, S, T

ITEM	PART #	DESCRIPTION	QUANTITY			
			MODEL			
			MST42R	MST42RC	MST42S	MST42T
50	2522102	Knob	3	3	3	3
	2522106	Knob-Open Burner (Mfg. Gas)	2	2	2	2
	2522101	Knob-Oven Valve	1	1		
	2522107	Knob (FD Oven F)	1	1		
	2522103	Knob (FD Oven C)	1	1	1	1
51	2190698	Front Rail Assy	1	1		1
62	2247702	Secondary Valve Panel				1
63	2247400	Secondary Burner Box Bottom				1
64	2193000	Grease Tray Handle			1	
65	2201499	Grease Container Assy	1	1		1
	2335699	Grease Tray Assy				1
66	2425600	Grease Tray Guide				

\* NOT ILLUSTRATED

#### **RECOMMENDED STOCK PARTS**

## GARLAND PARTS IDENTIFICATION

### Master Series

### Heavy Duty Griddle, (Even-Heat Hot Top) & Open Top Section

#### Models MST42RE, RCE, SE, TE

ITEM	PART #	DESCRIPTION	QUANTITY			
			MODEL			
			MST42RE	MST42RCE	MST42SE	MST42TE
1	1790602	LP BG Flue Cap 34"	1	1	1	1
2	1816407	LP BG Back Guard 34" AZ	1	1	1	1
	1816408	LP BG Back Guard 34" SS	1	1	1	1
3	1817304	LP Front Panel 34"	1	1	1	1
4	1768599	LP BG Upright Assy S/W	2	2	2	2
5	G7341-1-6	Rear Radiation Shield	1	1	1	1
	G7341-6-6	Rear Radiation Shield - RR Gas	1	1	1	1
6	1806101	Burner Box Back	1	1	1	
	2546400	Burner Box Back				1
	1086410	Burner Box Back - RR Gas	1	1	1	
	2546410	Burner Box Back - RR Gas				1
7	2553000	Back Top MST 40	1	1	1	1
8	2559000	Backguard Spacer	1	1	1	1
9	2570900	Back Top Baffle	1	1	1	1
10	1768399	Shelf Mtg. Brkt. Assy LT	1	1	1	1
	1768398	Shelf Mtg. Brkt. Assy RT	1	1	1	1
11	2552400	Burner Rest	1	1	1	1
12	2337400	Burner Hanger - RH	1	1	1	1
	2552600	Burner Hanger - LH	1	1	1	1
13	2505400	Drip Tray Guide RH	1	1	1	1
	2505401	Drip Tray Guide LH	1	1	1	1
14	1132804	Burner Box Side RH/CRS	1	1	1	
	1132805	Burner Box Side RH/SS	1	1	1	
	1132806	Burner Box Side LH/CRS	1	1	1	
	1132807	Burner Box Side LH/SS	1	1	1	
	2247600	Burner Box Side RH/CRS				1
	2247601	Burner Box Side RH/SS				1
	2247602	Burner Box Side LH/CRS				1
2247603	Burner Box Side LH/SS				1	
15	2342803	Drip Pan	1	1	1	1
16	2512600	Burner Box Bottom	1	1	1	
	2247000	Burner Box Bottom				1
17	G7338-1-6	Side Radiation Shield	1	1	1	1
18	2517399	Fire Box Body Assy	1	1	1	1
19	2404500	Top Grate Support	1	1	1	1
20	1028002	Air Shutter	1	1	1	1
21	1014900	Griddle H Burner	1	1	1	1
22	1781485	Frytop Assy	1	1	1	1
	1781469	Grooved Griddle Assy	1	1	1	1
23	G0444-017-9	Rear Splashguard Assy	1	1	1	1
25	1769101	Ring Grate/Bowl 35K	2	2	2	2
26	1769001	Top Grate 35K Burner	1	1	1	1
27	2194100	H Burner Pilot Bracket	1	1	1	1
27A	2200700	Pilot Burner RH	1	1	1	1

\* NOT ILLUSTRATED

#### RECOMMENDED STOCK PARTS



## GARLAND PARTS IDENTIFICATION

### Master Series

### Heavy Duty Griddle, (Even-Heat Hot Top) & Open Top Section

#### Models MST42RE, RCE, SE, TE

ITEM	PART #	DESCRIPTION	QUANTITY			
			MODEL			
			MST42RE	MST42RCE	MST42SE	MST42TE
27B	2200702	Pilot Orifice #32 Nat	1	1	1	1
	2200703	Pilot Orifice #23 Pro	1	1	1	1
	2200709	Pilot Orifice #40 Mfg	1	1	1	1
	2200704	Compression Nut- 3/16	1	1	1	1
	2200705	Olive Sleeve-3/16	1	1	1	1
	2200706	Nut-Thermocouple Retaining	1	1	1	1
	2200707	Nut-Electrode	1	1	1	1
	2200708	Electrode	1	1	1	1
28	2520800	Pilot Burner	2	2	2	2
28A	2520804	Sleeve 3/16" Compression	2	2	2	2
	2200704	Compression Nut- 3/16"	2	2	2	2
	2200706	Nut-Thermocouple Retaining	2	2	2	2
	2200707	Nut-Electrode	2	2	2	2
	2200708	Electrode	2	2	2	2
	2520801	Pilot Orifice - Nat 51	2	2	2	2
	2520802	Pilot Orifice - Pro 30	2	2	2	2
	2520803	Pilot Orifice - Mfg Gas	2	2	2	2
28B	2550200	Pilot Bracket MST44	1	1	1	1
28C	2550201	Pilot Bracket - 25K Front	1	1	1	1
29	2528200	Burner Head	2	2	2	2
30	2528000	Front Burner Housing	1	1	1	1
31	2528100	Rear Burner Housing	1	1	1	1
32	2519200	Air Shutter	2	2	2	2
33	2341400	Pilot Tube -Front	1	1	1	1
	2341500	Pilot Tube -Rear	1	1	1	1
34	2200600	Thermocouple - 18" Front	1	1	1	1
	2200601	Thermocouple - 24" Rear	1	1	1	1
34A	2200200	High Tension Wire-48"	1	1	1	2
	2200201	High Tension Wire-36"	1	1		
	2200208	High Tension Wire-60"			1	
35	2188700	Orifice Support	1	1	1	1
36	G02486-2.2mm	Orifice Fitting-Nat (N. America)	1	1	1	1
	G02486-53	Orifice Fitting-Pro (N. America)	1	1	1	1
	G02486-2.1MM	Orifice Fitting-Nat G20/G25 Europe-CE	1	1	1	1
	G02486-54F	Orifice Fitting-Pro G31 Europe-CE	1	1	1	1
	G02486-00	Orifice Fitting-Special (Spec. Gas/Dest.)	1	1	1	1
37	2200600	Thermocouple-18"	1	1	1	1
37A	2200200	High Tension Wire-48"	1	1		1
	2200208	High Tension Wire-60"			1	
38	1340521	Pipe Nipple RR Gas 1" x 33" Lg	1	1	1	1
39	076029-183	Coupling-1 1/4" x 1"	1	1	1	1
40	2394599	Manifold Assy Std.	1	1	1	1
40A	2394598	Manifold Assy - RR Gas	1	1	1	1
41	G02251-1	Test Spigot	1	1	1	1

\* NOT ILLUSTRATED

#### RECOMMENDED STOCK PARTS

## GARLAND PARTS IDENTIFICATION

### Master Series

### Heavy Duty Griddle, (Even-Heat Hot Top) & Open Top Section

#### Models MST42RE, RCE, SE, TE

ITEM	PART #	DESCRIPTION	QUANTITY			
			MODEL			
			MST42RE	MST42RCE	MST42SE	MST42TE
42	2200199	Valve-Flame Failure	2	2	2	2
	2595199	Valve/Adapter Assy.-Mfg. Gas	1	1	1	1
43	G7266-37F	Orifice Holder- Nat (N. America)	2	2	2	2
	G7266-1.8MM	Orifice Holder- Pro (N. America)	2	2	2	2
	G7266-37F	Orifice Holder- Nat G20/25 (Europe-CE)	2	2	2	2
	G7266-1.8MM	Orifice Holder- Pro G31 (Europe-CE)	2	2	2	2
	G7266-XX	Orifice Holder- (Special) (Spec Gas/Dest)	2	2	2	2
44	2198102	Valve Connector Fitting-10mm	3	3	3	3
45	2519600	1/4 Tube Valve to Orifice	2	2	2	2
46	229300	Pilot Tube-3/16"	1	1	1	1
47	2229700	Tube-Valve to Orifice 1/4"	1	1	1	1
48	2200199	Flame Failure Valve 46/47	1	1	1	1
	2200195	FF Valve/Adapter Assy-Mfg Gas	1	1	1	1
48A	1086597	Gum Valve 3/16"	1	1	1	1
49	2552500	Valve Panel	1	1		
	2552501	Valve Panel			1	1
50	2522102	Knob	3	3	3	3
	2522106	Knob-Open Burner (Mfg. Gas)	2	2	2	2
	2522101	Knob-Oven Valve	1	1		
	2522107	Knob (FD Oven F)	1	1		
	2522103	Knob (FD Oven C)	1	1	1	1
51	2190698	Front Rail Assy	1	1		1
52	050069	Sectional Terminal Block				1
	050070	Sectional Terminal End				1
53	2336400	Mounting Bracket				1
54	2336300	Terminal Block Bracket				1
55	2336200	Terminal Block Enclosure				1
56	2247100	Wire Way				1
57	2336000	Insulation Retainer				1
58	2247300	Spark Modular Support				1
59	2247200	Spark Modular Enclosure				1
60	2144002	120 Volt Spark Generator				1
	2144000	240 Volt Spark Generator				1
61	2200300	Push Button Switch				1
62	2247702	Secondary Valve Panel				1
63	2247400	Secondary Burner Box Bottom	1	1	1	1
64	2193000	Grease Tray Handle				
65	2201499	Grease Container Assy				1
	2335699	Grease Tray Assy				1
66	2425600	Grease Tray Guide				
67	2533200	EMI Filter				1

\* NOT ILLUSTRATED

#### RECOMMENDED STOCK PARTS

## GARLAND PARTS IDENTIFICATION

### Master Series

### Heavy Duty Griddle, (Even-Heat Hot Top) & Open Top Section

#### Models MST42-6R, RC, S, T

ITEM	PART #	DESCRIPTION	QUANTITY			
			MODEL			
			MST42-6R	MST42-6RC	MST42-6S	MST42-6T
1	1790602	LP BG Flue Cap 34"	1	1	1	1
2	1816407	LP BG Back Guard 34" AZ	1	1	1	1
	1816408	LP BG Back Guard 34" SS	1	1	1	1
3	1817304	LP Front Panel 34"	1	1	1	1
4	1768599	LP BG Upright Assy S/W	2	2	2	2
5	G7341-1-6	Rear Radiation Shield	1	1	1	1
	G7341-6-6	Rear Radiation Shield - RR Gas	1	1	1	1
6	1806101	Burner Box Back	1	1	1	
	2546400	Burner Box Back				1
	1086410	Burner Box Back - RR Gas	1	1	1	
	2546410	Burner Box Back - RR Gas				1
7	2553000	Back Top MST 40	1	1	1	1
8	2559000	Backguard Spacer	1	1	1	1
9	2570900	Back Top Baffle	1	1	1	1
10	1768399	Shelf Mtg. Brkt. Assy LT	1	1	1	1
	1768398	Shelf Mtg. Brkt. Assy RT	1	1	1	1
11	2552400	Burner Rest	1	1	1	1
12	2337400	Burner Hanger - RH	1	1	1	1
	2552600	Burner Hanger - LH	1	1	1	1
13	2505400	Drip Tray Guide RH	1	1	1	1
	2505401	Drip Tray Guide LH	1	1	1	1
14	1132804	Burner Box Side RH/CRS	1	1	1	
	1132805	Burner Box Side RH/SS	1	1	1	
	1132806	Burner Box Side LH/CRS	1	1	1	
	1132807	Burner Box Side LH/SS	1	1	1	
	2247600	Burner Box Side RH/CRS				1
	2247601	Burner Box Side RH/SS				1
	2247602	Burner Box Side LH/CRS				1
2247603	Burner Box Side LH/SS				1	
15	2342803	Drip Pan	1	1	1	1
16	2512600	Burner Box Bottom	1	1	1	
	2247000	Burner Box Bottom				1
17	G7338-1-6	Side Radiation Shield	1	1	1	1
18	2517399	Fire Box Body Assy	1	1	1	1
19	2404500	Top Grate Support	1	1	1	1
20	1028002	Air Shutter	1	1	1	1
21	1014900	Griddle H Burner	1	1	1	1
24	G0552-1	Hot Top	1	1	1	1
24A*	G6308-1-8	Lid Lifter	1	1	1	1
25	1769101	Ring Grate/Bowl 35K	2	2	2	2
26	1769001	Top Grate 35K Burner	1	1	1	1
27	2194100	H Burner Pilot Bracket	1	1	1	1
27A	2200700	Pilot Burner RH	1	1	1	1
27B	2200702	Pilot Orifice #32 Nat	1	1	1	1
	2200703	Pilot Orifice #23 Pro	1	1	1	1
	2200709	Pilot Orifice #40 Mfg	1	1	1	1
	2200704	Compression Nut- 3/16	1	1	1	1
	2200705	Olive Sleeve-3/16	1	1	1	1
	2200706	Nut-Thermocouple Retaining	1	1	1	1

\* NOT ILLUSTRATED

#### **RECOMMENDED STOCK PARTS**

## GARLAND PARTS IDENTIFICATION

### Master Series

### Heavy Duty Griddle, (Even-Heat Hot Top) & Open Top Section

#### Models MST42-6R, RC, S, T

ITEM	PART #	DESCRIPTION	QUANTITY			
			MODEL			
			MST42-6R	MST42-6RC	MST42-6S	MST42-6T
28	2520800	Pilot Burner	2	2	2	2
28A	2520804	Sleeve 3/16" Compression	2	2	2	2
	2200704	Compression Nut- 3/16"	2	2	2	2
	2200706	Nut-Thermocouple Retaining	2	2	2	2
	2520801	Pilot Orifice - Nat 51	2	2	2	2
	2520802	Pilot Orifice - Pro 30	2	2	2	2
	2520803	Pilot Orifice - Mfg Gas	2	2	2	2
28B	2550200	Pilot Bracket MST44	1	1	1	1
28C	2550201	Pilot Bracket - 25K Front	1	1	1	1
29	2528200	Burner Head	2	2	2	2
30	2528000	Front Burner Housing	1	1	1	1
31	2528100	Rear Burner Housing	1	1	1	1
32	2519200	Air Shutter	2	2	2	2
33	2341400	Pilot Tube -Front	1	1	1	1
	2341500	Pilot Tube -Rear	1	1	1	1
34	2200600	Thermocouple - 18" Front	1	1	1	1
	2200601	Thermocouple - 24" Rear	1	1	1	1
35	2188700	Orifice Support	1	1	1	1
36	G02486-2.2mm	Orifice Fitting-Nat (N. America)	1	1	1	1
	G02486-53	Orifice Fitting-Pro (N. America)	1	1	1	1
	G02486-2.1MM	Orifice Fitting-Nat G20/G25 Europe-CE	1	1	1	1
	G02486-54F	Orifice Fitting-Pro G31 Europe-CE	1	1	1	1
	G02486-00	Orifice Fitting-Special (Spec. Gas/Dest.)	1	1	1	1
	M8-XX	Orifice-MFG Gas ( Spec. Gas/Dest)	1	1	1	1
37	2200600	Thermocouple-18"	1	1	1	1
38	1340521	Pipe Nipple RR Gas 1" x 33" Lg	1	1	1	1
39	076029-183	Coupling-1 1/4" x 1"	1	1	1	1
40	2394599	Manifold Assy Std.	1	1	1	1
40A	2394598	Manifold Assy - RR Gas	1	1	1	1
41	G02251-1	Test Spigot	1	1	1	1
42	2200199	Valve-Flame Failure	2	2	2	2
	2595199	Valve/Adapter Assy.-Mfg. Gas	1	1	1	1
43	G7266-37F	Orifice Holder- Nat (N. America)	2	2	2	2
	G7266-1.8MM	Orifice Holder- Pro (N. America)	2	2	2	2
	G7266-37F	Orifice Holder- Nat G20/25 (Europe-CE)	2	2	2	2
	G7266-1.8MM	Orifice Holder- Pro G31 (Europe-CE)	2	2	2	2
	G7266-XX	Orifice Holder- Less Hood (Special)	2	2	2	2
	M9-XX	Orifice-Mfg Gas (Spec. Gas/Dest.)	2	2	2	2
44	2198102	Valve Connector Fitting-10mm	3	3	3	3
45	2519600	1/4 Tube Valve to Orifice	2	2	2	2
46	229300	Pilot Tube-3/16"	1	1	1	1
47	2229700	Tube-Valve to Orifice 1/4"	1	1	1	1
48	2200199	Flame Failure Valve 46/47	1	1	1	1
	2200195	FF Valve/Adapter Assy-Mfg Gas	1	1	1	1
48A	1086597	Gum Valve 3/16"	1	1	1	1
49	2552500	Valve Panel	1	1		
	2552501	Valve Panel			1	1

\* NOT ILLUSTRATED

#### **RECOMMENDED STOCK PARTS**

## GARLAND PARTS IDENTIFICATION

### Master Series

### Heavy Duty Griddle, (Even-Heat Hot Top) & Open Top Section

#### Models MST42-6R, RC, S, T

ITEM	PART #	DESCRIPTION	QUANTITY			
			MODEL			
			MST42-6R	MST42-6RC	MST42-6S	MST42-6T
50	2522102	Knob	3	3	3	3
	2522106	Knob-Open Burner (Mfg. Gas)	2	2	2	2
	2522101	Knob-Oven Valve	1	1		
	2522107	Knob (FD Oven F)	1	1		
	2522103	Knob (FD Oven C)	1	1		
51	2190698	Front Rail Assy	1	1	1	1
62	2247702	Secondary Valve Panel				1
63	2247400	Secondary Burner Box Bottom				1
64	2193000	Grease Tray Handle				1
65	2201499	Grease Container Assy	1	1	1	
	2335699	Grease Tray Assy				1
66	2425600	Grease Tray Guide				1

\* NOT ILLUSTRATED

**RECOMMENDED STOCK PARTS**

## GARLAND PARTS IDENTIFICATION

### Master Series

### Heavy Duty Griddle, (Even-Heat Hot Top) & Open Top Section

#### Models MST42-6RE, RCE, SE, TE

ITEM	PART #	DESCRIPTION	QUANTITY			
			MODEL			
			MST42-6RE	MST42-6RCE	MST42-6SE	MST42-6TE
1	1790602	LP BG Flue Cap 34"	1	1	1	1
2	1816407	LP BG Back Guard 34" AZ	1	1	1	1
	1816408	LP BG Back Guard 34" SS	1	1	1	1
3	1817304	LP Front Panel 34"	1	1	1	1
4	1768599	LP BG Upright Assy S/W	2	2	2	2
5	G7341-1-6	Rear Radiation Shield	1	1	1	1
	G7341-6-6	Rear Radiation Shield - RR Gas	1	1	1	1
6	1806101	Burner Box Back	1	1	1	
	2546400	Burner Box Back				1
	1086410	Burner Box Back - RR Gas	1	1	1	
	2546410	Burner Box Back - RR Gas				1
7	2553000	Back Top MST 40	1	1	1	1
8	2559000	Backguard Spacer	1	1	1	1
9	2570900	Back Top Baffle	1	1	1	1
10	1768399	Shelf Mtg. Brkt. Assy LT	1	1	1	1
	1768398	Shelf Mtg. Brkt. Assy RT	1	1	1	1
11	2552400	Burner Rest	1	1	1	1
12	2337400	Burner Hanger - RH	1	1	1	1
	2552600	Burner Hanger - LH	1	1	1	1
13	2505400	Drip Tray Guide RH	1	1	1	1
	2505401	Drip Tray Guide LH	1	1	1	1
14	1132804	Burner Box Side RH/CRS	1	1	1	
	1132805	Burner Box Side RH/SS	1	1	1	
	1132806	Burner Box Side LH/CRS	1	1	1	
	1132807	Burner Box Side LH/SS	1	1	1	
	2247600	Burner Box Side RH/CRS				1
	2247601	Burner Box Side RH/SS				1
	2247602	Burner Box Side LH/CRS				1
2247603	Burner Box Side LH/SS				1	
15	2342803	Drip Pan	1	1	1	1
16	2512600	Burner Box Bottom	1	1	1	
	2247000	Burner Box Bottom				1
17	G7338-1-6	Side Radiation Shield	1	1	1	1
18	2517399	Fire Box Body Assy	1	1	1	1
19	2404500	Top Grate Support	1	1	1	1
20	1028002	Air Shutter	1	1	1	1
21	1014900	Griddle H Burner	1	1	1	1
24	G0552-1	Hot Top	1	1	1	1
	G6308-1-8	Lid Lifter	1	1	1	1
25	1769101	Ring Grate/Bowl 35K	2	2	2	2
26	1769001	Top Grate 35K Burner	1	1	1	1
27	2194100	H Burner Pilot Bracket	1	1	1	1
27A	2200700	Pilot Burner RH	1	1	1	1
27B	2200702	Pilot Orifice #32 Nat	1	1	1	1
	2200703	Pilot Orifice #23 Pro	1	1	1	1
	2200709	Pilot Orifice #40 Mfg	1	1	1	1
	2200704	Compression Nut- 3/16	1	1	1	1
	2200705	Olive Sleeve-3/16	1	1	1	1

\* NOT ILLUSTRATED

#### **RECOMMENDED STOCK PARTS**

## GARLAND PARTS IDENTIFICATION

### Master Series

### Heavy Duty Griddle, (Even-Heat Hot Top) & Open Top Section

#### Models MST42-6RE, RCE, SE, TE

ITEM	PART #	DESCRIPTION	QUANTITY			
			MODEL			
			MST42-6RE	MST42-6RCE	MST42-6SE	MST42-6TE
27B Cont	2200706	Nut-Thermocouple Retaining	1	1	1	1
	2200707	Nut-Electrode	1	1	1	1
	2200708	Electrode	1	1	1	1
28	2520800	Pilot Burner	2	2	2	2
28A	2520804	Sleeve 3/16" Compression	2	2	2	2
	2200704	Compression Nut- 3/16"	2	2	2	2
	2200706	Nut-Thermocouple Retaining	2	2	2	2
	2200707	Nut-Electrode	2	2	2	2
	2200708	Electrode	2	2	2	2
	2520801	Pilot Orifice - Nat 51	2	2	2	2
	2520802	Pilot Orifice - Pro 30	2	2	2	2
	2520803	Pilot Orifice - Mfg Gas	2	2	2	2
28B	2550200	Pilot Bracket MST44	1	1	1	1
28C	2550201	Pilot Bracket - 25K Front	1	1	1	1
29	2528200	Burner Head	2	2	2	2
30	2528000	Front Burner Housing	1	1	1	1
31	2528100	Rear Burner Housing	1	1	1	1
32	2519200	Air Shutter	2	2	2	2
33	2341400	Pilot Tube -Front	1	1	1	1
	2341500	Pilot Tube -Rear	1	1	1	1
34	2200600	Thermocouple - 18" Front	1	1	1	1
	2200601	Thermocouple - 24" Rear	1	1	1	1
34A	2200200	High Tension Wire-48"	1	1	1	2
	2200201	High Tension Wire-36"	1	1		
	2200208	High Tension Wire-60"			1	
35	2188700	Orifice Support	1	1	1	1
36	G02486-44F	Orifice Fitting-Nat (N. America)	1	1	1	1
	G02486-54F	Orifice Fitting-Pro (N. America)	1	1	1	1
	G02486-45F	Orifice Fitting-Nat G20/G25 Europe-CE	1	1	1	1
	G02486-54F	Orifice Fitting-Pro G31 Europe-CE	1	1	1	1
	G02486-00	Orifice Fitting-Special (Spec. Gas/Dest.)	1	1	1	1
	M8-XX	Orifice - MFG Gas (Spec Gas/Dest)	1	1	1	1
37	2200600	Thermocouple-18"	1	1	1	1
37A	2200200	High Tension Wire-48"	1	1		1
	2200208	High Tension Wire-60"			1	
38	1340521	Pipe Nipple RR Gas 1" x 33" Lg	1	1	1	1
39	076029-183	Coupling-1 1/4" x 1"	1	1	1	1
40	2394599	Manifold Assy Std.	1	1	1	1
40A	2394598	Manifold Assy - RR Gas	1	1	1	1
41	G02251-1	Test Spigot	1	1	1	1
42	2200199	Valve-Flame Failure	2	2	2	2
	2595199	Valve/Adapter Assy.-Mfg. Gas	1	1	1	1
43	G7266-37F	Orifice Holder- Nat (N. America)	2	2	2	2
	G7266-1.8MM	Orifice Holder- Pro (N. America)	2	2	2	2
	G7266-44F	Orifice Holder- Nat G20/25 (Europe-CE)	2	2	2	2
	G7266-1.8MM	Orifice Holder- Pro G31 (Europe-CE)	2	2	2	2
	G7266-XX	Orifice Holder- (Special) (Spec Gas/Dest)	2	2	2	2
		M9-XX	Orifice- Mfg Gas ( Spec Gas/Dest)			

\* NOT ILLUSTRATED

#### **RECOMMENDED STOCK PARTS**

## GARLAND PARTS IDENTIFICATION

### Master Series

### Heavy Duty Griddle, (Even-Heat Hot Top) & Open Top Section

#### Models MST42-6RE, RCE, SE, TE

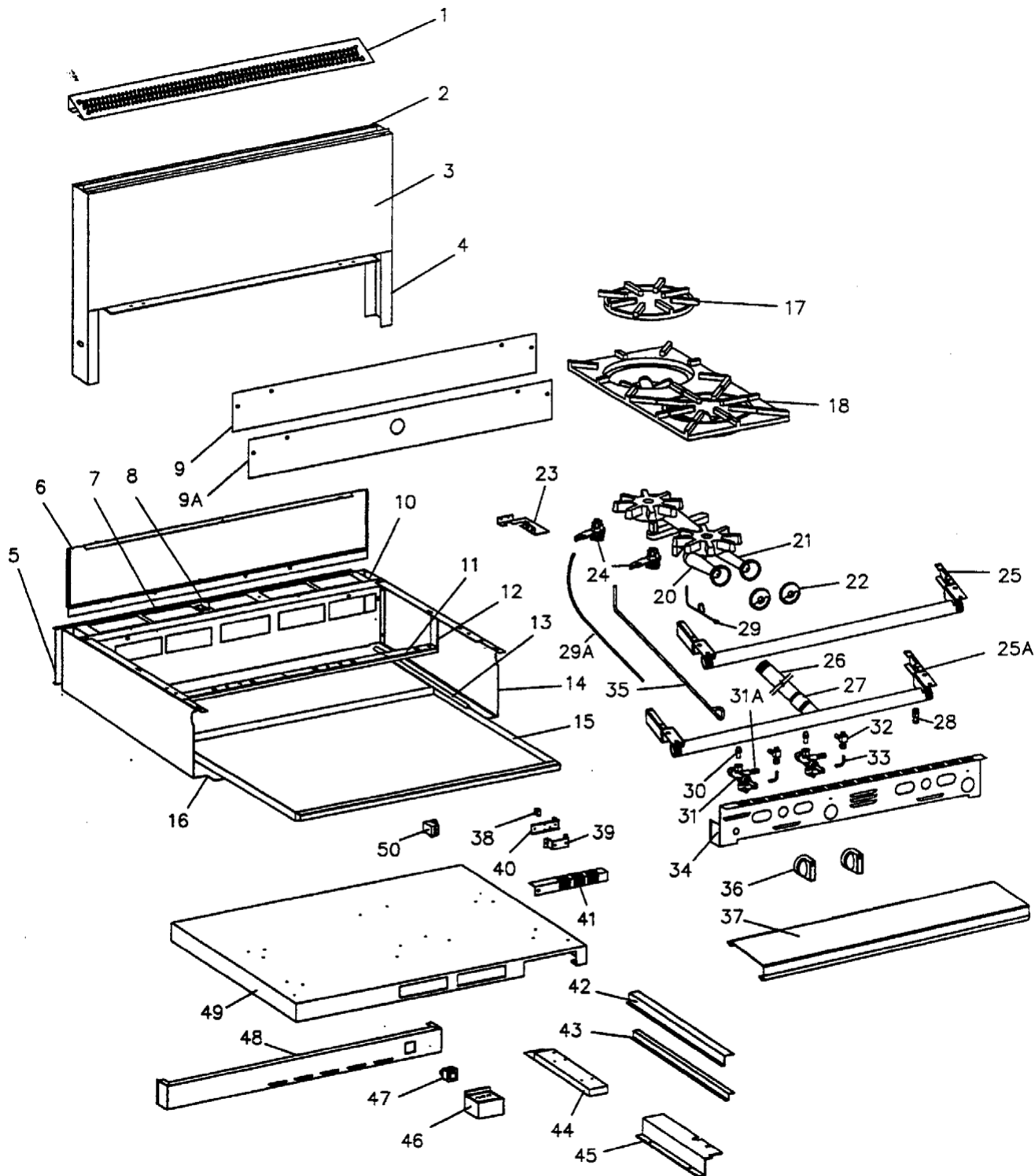
ITEM	PART #	DESCRIPTION	QUANTITY			
			MODEL			
			MST42-6RE	MST42-6RCE	MST42-6SE	MST42-6TE
44	2198102	Valve Connector Fitting-10mm	3	3	3	3
45	2519600	1/4 Tube Valve to Orifice	2	2	2	2
46	229300	Pilot Tube-3/16"	1	1	1	1
47	2229700	Tube-Valve to Orifice 1/4"	1	1	1	1
48	2200199	Flame Failure Valve 46/47	1	1	1	1
	2200195	FF Valve/Adapter Assy-Mfg Gas	1	1	1	1
48A	1086597	Gum Valve 3/16"	1	1	1	1
49	2552500	Valve Panel	1	1		
	2552501	Valve Panel			1	1
50	2522102	Knob	3	3	3	3
	2522106	Knob-Open Burner (Mfg. Gas)	2	2	2	2
	2522101	Knob-Oven Valve	1	1		
	2522107	Knob (FD Oven F)	1	1		
	2522103	Knob (FD Oven C)	1	1		
51A	2190699	Front Rail Assy	1	1	1	1
52	050069	Sectional Terminal Block				1
	050070	Sectional Terminal End				1
54	2336400	Mounting Bracket				1
54	2336300	Terminal Block Bracket				1
55	2336200	Terminal Block Enclosure				1
56	2247100	Wire Way				1
57	2336000	Insulation Retainer				1
58	2247300	Spark Modular Support				1
59	2247200	Spark Modular Enclosure				1
60	2144002	120 Volt Spark Generator				1
	2144000	240 Volt Spark Generator				1
61	2200300	Push Button Switch				1
62	2247702	Secondary Valve Panel				1
63	2247400	Secondary Burner Box Bottom	1	1	1	1
64	2193000	Grease Tray Handle				
65	2201499	Grease Container Assy				1
	2335699	Grease Tray Assy				1
66	2425600	Grease Tray Guide				1
67	2533200	EMI Filter				

\* NOT ILLUSTRATED

#### **RECOMMENDED STOCK PARTS**



## ***NOTES***



## GARLAND PARTS IDENTIFICATION

Master Series

Heavy Duty Range Open Top Section

Models MST43 R, RC, S, T

ITEM	PART #	DESCRIPTION	QUANTITY			
			MODEL			
			MST43R	MST43RC	MST43S	MST43T
1	1790601	LP BG Flue Cap 34"	1	1	1	1
2	1816407	LP BG Back 34" AZ	1	1	1	1
	1816408	LP BG Back 34" S/S	1	1	1	1
3	1817304	LP Front Panel 34"	1	1	1	1
4	1768599	LB BG Upright Assembly S/W	2	2	2	2
5	G7341-1-6	Rear Radiation Shield	1	1	1	1
	G7341-6 -6	Rear Radiation Shield - RR Gas	1	1	1	1
6	1806101	Burner Box Back	1	1	1	
	1806102	Burner Box Back RR Gas	1	1	1	
	2546400	Burner Box Back M43T				1
	2546411	Burner Box Back M43T RR Gas				1
7	2553000	Back Top MST40	1	1	1	1
8	2559000	Back Guard Spacer	1	1	1	1
9	2133200	Back Top Adapter 33"	1	1	1	1
9A	G0585-1-6	Back Top Baffle - Rear Gas	1	1	1	1
10	1768399	Shelf Mtg. Brkt. Assy LT	1	1	1	1
	1768398	Shelf Mtg. Brkt. Assy RT	1	1	1	1
11	2194200	Burner Rest	1	1	1	1
12	2519500	Burner Hanger	2	2	2	2
13	2505400	Drip Tray Guide RH	1	1	1	1
	2505401	Drip Tray Guide LH	1	1	1	1
14	1132804	Burner Box Side RT CRS	1	1	1	
	1132805	Burner Box Side RT S/S	1	1	1	
	1132806	Burner Box Side LT CRS	1	1	1	
	1132807	Burner Box Side LT S/S	1	1	1	
	2247600	Burner Box Side RT CRS				1
	2247601	Burner Box Side RT S/S				1
	2247602	Burner Box Side LT CRS				1
2247603	Burner Box Side LT S/S				1	
15	2342800	Drip Pan	1	1	1	1
16	2512600	Burner Box Bottom	1	1	1	
	2247000	Burner Box Bottom				1
17	G6214	Top Ring Grate	6	6	6	6
18	1758701	Top Grate 43-40 (24K)	3	3	3	3
20	2217302	Front Burner	3	3	3	3
21	2217304	Rear Burner	3	3	3	3
22	2519200	Air Shutter	6	6	6	6
23	2521100	Open Burner Pilot Bracket	3	3	3	3
24	2520800	Burner Pilot	6	6	6	6
	2520804	Sleeve 3/16" Comp.	6	6	6	6
	2200704	3/16" Comp Nut	6	6	6	6
	2200706	Nut Thermocouple Retaining	6	6	6	6
	2520801	Orifice Pilot (51) Nat.	6	6	6	6
	2520802	Orifice Pilot (30) Pro.	6	6	6	6

\* NOT ILLUSTRATED

### RECOMMENDED STOCK PARTS

## GARLAND PARTS IDENTIFICATION

### Master Series

### Heavy Duty Range Open Top Section

### Models MST43 R, RC, S, T

ITEM	PART #	DESCRIPTION	QUANTITY			
			MODEL			
			MST43R	MST43RC	MST43S	MST43T
24 Cont	2520803	Orifice Pilot Manuf	6	6	6	6
	2200707	Nut - Electrode				
	2200708	Electrode				
25	2394499	Manifold Assy	1	1	1	1
	2394498	Manifold Assy (Rear)	1	1	1	1
26	076029-184	Nipple 1-1/4" NPT x 29" LG Blk	1	1	1	1
27	076029-183	Coupling 1-1/4" NPT Blk	1	1	1	1
28	G02251-1	Test Spigot	1	1	1	1
29	2200600	18" Thermocouple	3	3	3	3
	2200602	24" Thermocouple	3	3	3	3
30	2198102	Valve Connector Fitting	6	6	6	6
31	2200199	FF Valve 46/48	6	6	6	6
31A	1086597	Gum Valve 3/16"	6	6	6	6
32	G7266-XX	Orifice Holder Special (Gas/Dest)	6	6	6	6
	G7266-1-2	Orifice Holder 1.2MM G31 Pro	6	6	6	6
	G7266-45F	Orifice Holder - #45 Nat.	6	6	6	6
	G7266-49F	Orifice Holder - #49 G20/G25 Nat.	6	6	6	6
	G7266-54F	Orifice Holder - #54	6	6	6	6
33	2519600	1/4 Tube Valve Orifice	6	6	6	6
34	2395700	Valve Panel	1	1		
	2395701	Valve Panel			1	1
35	2425800	Pilot Tube-3/16" Front Burner	3	3	3	3
	2425900	Pilot Tube-3/16" Rear Burner	3	3	3	3
35A*	1086597	Gum Valve 3/16" Pilot	6	6	6	6
36	2522102	Knob (Top FF PEL)	6	6	6	6
	2522101	Knob (Oven Valve)	1	1		
	2522105	Knob (FD Oven C)	1	1		
	2522107	Knob (FD Oven F)	1	1		
37	2190699	Front Rail Assy	1	1	1	1

\* NOT ILLUSTRATED

#### **RECOMMENDED STOCK PARTS**

## GARLAND PARTS IDENTIFICATION

### Master Series

### Heavy Duty Range Open Top Section

### Models MST43RE, RCE, SE, TE

ITEM	PART #	DESCRIPTION	QUANTITY			
			MODEL			
			MST43RE	MST43RCE	MST43SE	MST43TE
1	1790601	LP BG Flue Cap 34"	1	1	1	1
2	1816407	LP BG Back 34" AZ	1	1	1	1
	1816408	LP BG Back 34" S/S	1	1	1	1
3	1817304	LP Front Panel 34"	1	1	1	1
4	1768599	LB BG Upright Assembly S/W	2	2	2	2
5	G7341-1-6	Rear Radiation Shield	1	1	1	1
	G7341-6-6	Rear Radiation Shield - RR Gas	1	1	1	1
6	1806101	Burner Box Back	1	1	1	
	1806102	Burner Box Back RR Gas	1	1	1	
	2546400	Burner Box Back M43T				1
	2546411	Burner Box Back M43T RR Gas				1
7	2553000	Back Top MST40	1	1	1	1
8	2559000	Back Guard Spacer	1	1	1	1
9	2133200	Back Top Adapter 33"	1	1	1	1
9A	G0585-1-6	Back Top Baffle - Rear Gas	1	1	1	1
10	1768399	Shelf Mtg. Brkt. Assy LT	1	1	1	1
	1768398	Shelf Mtg. Brkt. Assy Rt	1	1	1	1
11	2194200	Burner Rest	1	1	1	1
12	2519500	Burner Hanger	2	2	2	2
13	2505400	Drip Tray Guide RH	1	1	1	1
	2505401	Drip Tray Guide LH	1	1	1	1
14	1132804	Burner Box Side RT CRS	1	1	1	
	1132805	Burner Box Side RT S/S	1	1	1	
	1132806	Burner Box Side LT CRS	1	1	1	
	1132807	Burner Box Side LT S/S	1	1	1	
	2247600	Burner Box Side RT CRS				1
	2247601	Burner Box Side RT S/S				1
	2247602	Burner Box Side LT CRS				1
2247603	Burner Box Side LT S/S				1	
15	2342800	Drip Pan	1	1	1	1
16	2512600	Burner Box Bottom	1	1	1	
	2247000	Burner Box Bottom				1
17	G6214	Top Ring Grate	6	6	6	6
18	1758701	Top Grate 43-40 (24K)	3	3	3	3
20	2217302	Front Burner	3	3	3	3
21	2217304	Rear Burner	3	3	3	3
22	2519200	Air Shutter	6	6	6	6
23	2521100	Open Burner Pilot Bracket	3	3	3	3
24	2520800	Burner Pilot	6	6	6	6
	2520804	Sleeve 3/16" Comp.	6	6	6	6
	2200704	3/16" Comp Nut	6	6	6	6
	2200706	Nut Thermocouple Retaining	6	6	6	6
	2520801	Orifice Pilot (51) Nat.	6	6	6	6
	2520802	Orifice Pilot (30) Pro.	6	6	6	6
	2520803	Orifice Pilot Manuf	6	6	6	6

\* NOT ILLUSTRATED

#### **RECOMMENDED STOCK PARTS**

## GARLAND PARTS IDENTIFICATION

### Master Series

### Heavy Duty Range Open Top Section

#### Models MST43RE, RCE, SE, TE

ITEM	PART #	DESCRIPTION	QUANTITY			
			MODEL			
			MST43RE	MST43RCE	MST43SE	MST43TE
24	2200707	Nut - Electrode	6	6		
Cont	2200900	Electrode	6	6		
25	2394499	Manifold Assy	1	1	1	1
	2394498	Manifold Assy (Rear)	1	1	1	1
26	076029-184	Nipple 1-1/4" NPT x 29" LG Blk	1	1	1	1
27	076029-183	Coupling 1-1/4" NPT Blk	1	1	1	1
28	G02251-1	Test Spigot	1	1	1	1
29	2200600	18" Thermocouple	3	3	3	3
	2200602	24" Thermocouple	3	3	3	3
30	2198102	Valve Connector Fitting	6	6	6	6
31	2200199	FF Valve 46/48	6	6	6	6
31A	1086597	Gum Valve 3/16"	6	6	6	6
32	G7266-XX	Orifice Holder Special (Gas/Dest)	6	6	6	6
	G7266-1-2	Orifice Holder 1.2MM G31 Pro	6	6	6	6
	G7266-45F	Orifice Holder - #45 Nat.	6	6	6	6
	G7266-49F	Orifice Holder - #49 G20/G25 Nat.	6	6	6	6
	G7266-54F	Orifice Holder - #54	6	6	6	6
33	2519600	1/4 Tube Valve Orifice	6	6	6	6
34	2395700	Valve Panel	1	1		
	2395701	Valve Panel			1	1
35	2425800	Pilot Tube-3/16" Front Burner	3	3	3	3
	2425900	Pilot Tube-3/16" Rear Burner	3	3	3	3
35A*	1086597	Gum Valve 3/16" Pilot	6	6	6	6
36	2522102	Knob (Top FF PEL)	6	6	6	6
	2522101	Knob (Oven Valve)	1	1		
	2522105	Knob (FD Oven C)	1	1		
	2522107	Knob (FD Oven F)	1	1		
37	2190699	Front Rail Assy	1	1	1	1
38	050059	Sectional Terminal Block	4	4	2	2
	050060	Sectional Terminal End	2	2	1	1
39	2336400	Mounting Bracket				1
40	2336300	Terminal Block Bracket				1
41	2336200	Terminal Block Enclosure				1
42	2247100	Wire Way				1
43	2336000	Insulation Retainer				1
44	2247300	Spark Modular Support				1
45	2247200	Spark Modular Enclosure				1
46	2144002	120V Spark Generator	2	2	2	2
	2144000	240V Spark Generator	2	2	2	2
47	2200300	Push Bottom Switch	1	1	1	1
48	2247700	Secondary Valve Panel				1
49	2247400	Secondary Burner Bottom				1

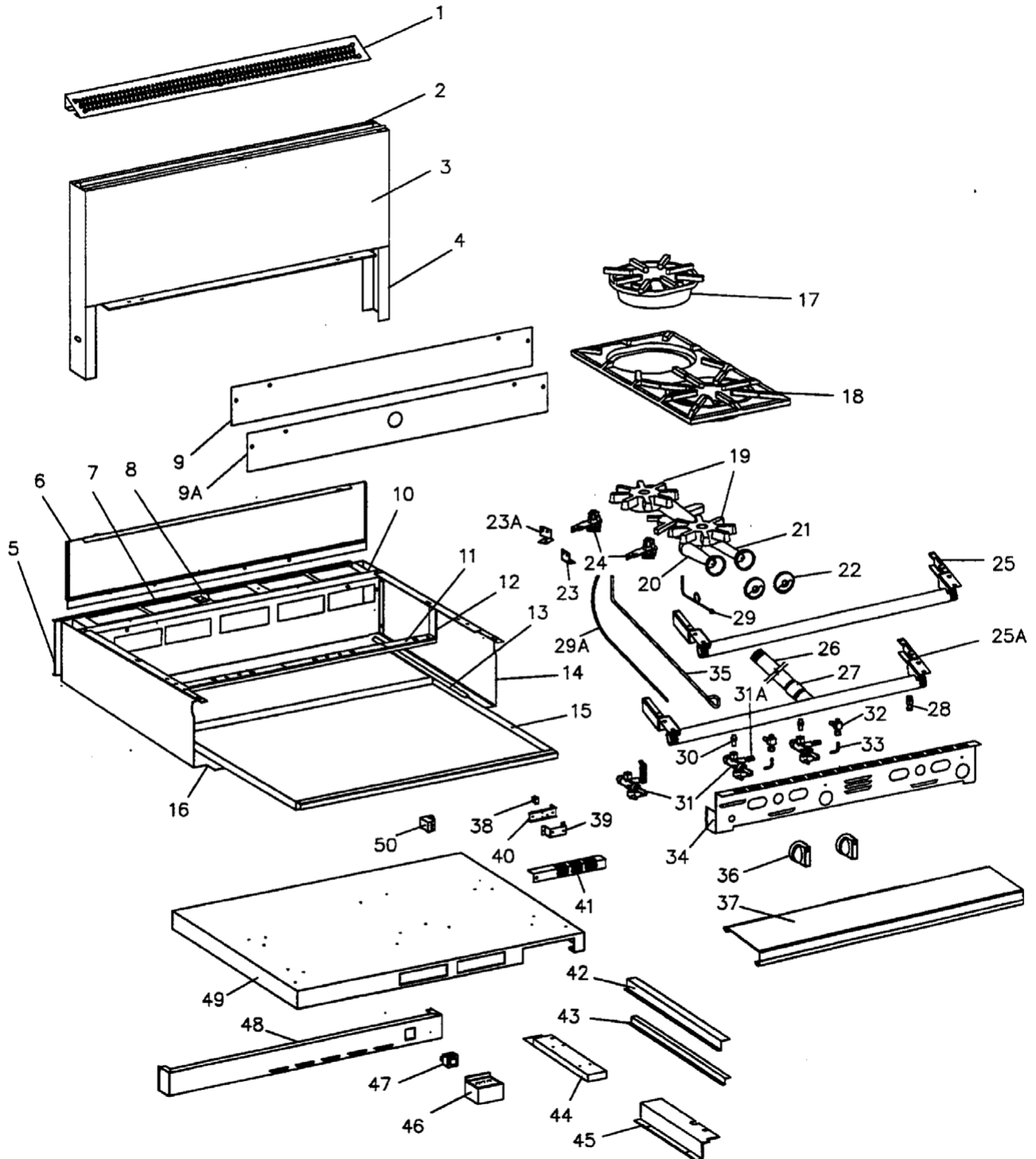
\* NOT ILLUSTRATED

#### **RECOMMENDED STOCK PARTS**

## **NOTES**



MASTER SERIES  
HEAVY DUTY RANGE OPEN TOP SECTION  
MODELS: MST44R,RC,S,T,RE,RCE,SE,TE;  
MST45,T,SE,TE





## GARLAND PARTS IDENTIFICATION

### Master Series

### Heavy Duty Range Open Top Section

Models: MST44R, RC, S, T

ITEM	PART #	DESCRIPTION	QUANTITY			
			MODEL			
			MST44R	MST44RC	MST44S	MST44T
1	1790602	LP BG Flue Cap 34"	1	1	1	1
2	1816407	LP BG Back 34" AZ	1	1	1	1
	1816408	LP BG Back 34" S/S	1	1	1	1
3	1817304	LP Front Panel (34" Use 2660103)	1	1	1	1
4	1768599	LP BG Upright Assembly S/W	2	2	2	2
5	G7341-1-6	Rear Radiation Shield	1	1	1	1
	G7341-6-6	Rear Radiation RR Gas	1	1	1	1
6	1806101	Burner Box Back	1	1	1	
	1806104	Burner Box Back RR Gas	1	1	1	
	2546400	Burner Box Back				1
	2546410	Burner Box Back Gas				1
7	2553000	Back Top MST40	1	1	1	1
8	2559000	Backguard Spacer	1	1	1	1
9	2133200	Back Top Baffle	1	1	1	1
9A	G0585-1-6	Back Top Baffle-Rear Gas	1	1	1	1
10	1768399	Shelf Mtg. Brkt. Assembly LT	1	1	1	1
	1768398	Shelf Mtg. Brkt. Assembly RT	1	1	1	1
11	2537300	Burner Rest	1	1	1	1
12	2537400	Burner Hanger	2	2	2	2
13	2505400	Drip Tray Guide RH	1	1	1	1
	2505401	Drip Tray Guide LH	1	1	1	1
14	1132804	Burner Box Side RT CRS	1	1	1	
	1132805	Burner Box Side RT S/S	1	1	1	
	1132806	Burner Box Side LT CRS	1	1	1	
	1132807	Burner Box Side LT S/S	1	1	1	
	2247600	Burner Box Side RT CRS				1
	2247601	Burner Box Side RT S/S				1
	2247602	Burner Box Side LT CRS				1
2247603	Burner Box Side LT S/S				1	
15	2342800	Drip Pan	1	1	1	1
16	2512600	Burner Box Bottom	1	1	1	
	2426900	Burner Box Bottom				1
17	1769101	Ring Grate/Bowl 35K	4	4	4	4
18	1769001	Top Grate 35K Burner	2	2	2	2
19	2528200	Burner Head 35K	4	4	4	4
20	2528000	Front Burner Housing 35K - Venturi (No Head)	2	2	2	2
21	2528100	Rear Burner Housing 35K - Venturi (No Head)	2	2	2	2
22	2519200	Air Shutter	4	4	4	4
	G4202-2	Air Shutter - Manufactured Gas	4	4	4	4
23	2550200	Pilot Bracket-MST44-Rear Burner	2	2	2	2
23A	2550201	Pilot Bracket-MST44-Front Burner	2	2	2	2
24	2520800	Burner Pilot	4	4	4	4
	2520804	Sleeve 3/16" Comp.	4	4	4	4
	2200704	3/16" Comp. Nut	4	4	4	4
	2200706	Nut Thermocouple Retaining	4	4	4	4

\* NOT ILLUSTRATED

#### **RECOMMENDED STOCK PARTS**

## GARLAND PARTS IDENTIFICATION

### Master Series

### Heavy Duty Range Open Top Section

Models: MST44R, RC, S, T

ITEM	PART #	DESCRIPTION	QUANTITY			
			MODEL			
			MST44R	MST44RC	MST44S	MST44T
24 Cont	2520801	Orifice Pilot - 51 Nat	4	4	4	4
	2520802	Orifice Pilot - 30 Pro	4	4	4	4
	2520803	Orifice Pilot - Manuft	4	4	4	4
	2200707	Nut-Electrode	4	4	4	4
	2200900	Electrode	1	1	1	1
25	2394598	Manifold Assy Std.	1	1	1	1
	2394599	Manifold Assy RR Gas	1	1	1	1
26	076029-184	Nipple 1-1/4" NPT Blk	1	1	1	1
27	076029-183	Coupling 1-1/4" NPT BLK	1	1	1	1
28	G02251-1	Test Spigot	2	2	2	2
29	2200600	18" Thermocouple	2	2	2	2
	2200602	24" Thermocouple	2	2	2	2
30	2198102	Valve Connector Fitting	4	4	4	4
31	2200199	FF Valve 46/47	4	4	4	4
	2595199	FF Valve/Adapter Assy-Mfg. Gas	4	4	4	4
31A*	1086597	Gum Valve 3/16"	4	4	4	4
32	G7266-XX	Orifice Holder Special (Gas/Dest.)	4	4	4	4
	G7266-39F	Orifice Holder #39 N. America	4	4	4	4
	G7266-50F	Orifice Holder #50 N. America	4	4	4	4
	G7266-44F	Orifice Holder #44 G20/G25 Nat. Europe-CE	4	4	4	4
	G7266-54F	Orifice Holder #54 G31 Pro Europe-CE	4	4	4	4
	M9-XX	Orifice-MFG Gas (Spec Gas/Dest)	4	4	4	4
33	2519600	1/4 Tube Valve to Orifice	2	2	2	2
34	2395800	Valve Panel	1	1		
	2395801	Valve Panel			1	1
36	2522101	Knob Oven Valve	1	1		
	2522102	Knob (Top FF PEL)	4	4	4	4
	2522106	Knob (Top FF PEL) MFg Gas	4	4	4	4
	2522103	Knob (FD Oven C)	1	1		
	2522107	Knob (FD Oven F)	1	1		
37	2190699	Front Rail Assy	1	1	1	1
48	2247703	Secondary Valve Panel				1
49	2247400	Secondary Burner Box Bottom				1

\* NOT ILLUSTRATED

#### **RECOMMENDED STOCK PARTS**

## GARLAND PARTS IDENTIFICATION

### Master Series

### Heavy Duty Range Open Top Section

**Models: MST44RE, RCE, SE, TE**

ITEM	PART #	DESCRIPTION	QUANTITY			
			MODEL			
			MST44RE	MST44RCE	MST44SE	MST44TE
1	1790601	LP BG Flue Cap 34"	1	1	1	1
2	1816407	LP BG Back 34" AZ	1	1	1	1
	1816408	LP BG Back 34" S/S	1	1	1	1
3	1817304	LP Front Panel (34" Use 2660103)	1	1	1	1
4	1768599	LP BG Upright Assembly S/W	2	2	2	2
5	G7341-1-6	Rear Radiation Shield	1	1	1	1
	G7341-6-6	Rear Radiation RR Gas	1	1	1	1
6	1806101	Burner Box Back	1	1	1	
	1806104	Burner Box Back RR Gas	1	1	1	
	2546400	Burner Box Back (M40T)				1
	2546410	Burner Box Back Gas				1
7	2553000	Back Top MST40	1	1	1	1
8	2559000	Backguard Spacer	1	1	1	1
9	2133200	Back Top Baffle	1	1	1	1
9A	G0585-1-6	Back Top Baffle-Rear Gas	1	1	1	1
10	1768399	Shelf Mtg. Brkt. Assembly LT	1	1	1	1
	1768398	Shelf Mtg. Brkt. Assembly RT	1	1	1	1
11	2537300	Burner Rest	1	1	1	1
12	2537400	Burner Hanger	2	2	2	2
13	2505400	Drip Tray Guide RH	1	1	1	1
	2505401	Drip Tray Guide LH	1	1	1	1
14	1132804	Burner Box Side RT CRS	1	1	1	
	1132805	Burner Box Side RT S/S	1	1	1	
	1132806	Burner Box Side LT CRS	1	1	1	
	1132807	Burner Box Side LT S/S	1	1	1	
	2247600	Burner Box Side RT CRS				1
	2247601	Burner Box Side RT S/S				1
	2247602	Burner Box Side LT CRS				1
2247603	Burner Box Side LT S/S				1	
15	2342800	Drip Pan	1	1	1	1
16	2512600	Burner Box Bottom	1	1	1	
	2426900	Burner Box Bottom				1
17	1769101	Ring Grate/Bowl 35K	4	4	4	4
18	1769001	Top Grate 35K Burner	2	2	2	2
19	2528200	Burner Head 35K	4	4	4	4
20	2528000	Front Burner Housing 35K - Venturi (No Head)	2	2	2	2
21	2528100	Rear Burner Housing 35K - Venturi (No Head)	2	2	2	2
22	2519200	Air Shutter	4	4	4	4
	G4202-2	Air Shutter - Manufactured Gas	4	4	4	4
23	2550200	Pilot Bracket-MST44-Rear Burner	2	2	2	2
23A	2550201	Pilot Bracket-MST44-Front Burner	2	2	2	2
24	2520800	Burner Pilot	4	4	4	4
	2520804	Sleeve 3/16" Comp.	4	4	4	4
	2200704	3/16" Comp. Nut	4	4	4	4
	2200706	Nut Thermocouple Retaining	4	4	4	4
	2520801	Orifice Pilot - 51 Nat	4	4	4	4

\* NOT ILLUSTRATED

### **RECOMMENDED STOCK PARTS**

## GARLAND PARTS IDENTIFICATION

### Master Series

### Heavy Duty Range Open Top Section

Models: MST44RE, RCE, SE, TE

ITEM	PART #	DESCRIPTION	QUANTITY			
			MODEL			
			MST44RE	MST44RCE	MST44SE	MST44TE
24 Cont	2520802	Orifice Pilot - 30 Pro	4	4	4	4
	2520803	Orifice Pilot - Manuft	4	4	4	4
	2200707	Nut-Electrode	4	4	4	4
	2200900	Electrode	1	1	1	1
25	2394598	Manifold Assy Std.	1	1	1	1
	2394599	Manifold Assy RR Gas	1	1	1	1
26	076029-184	Nipple 1-1/4" NPT Blk	1	1	1	1
27	076029-183	Coupling 1-1/4" NPT BLK	1	1	1	1
28	G02251-1	Test Spigot	1	1	1	1
29	2200600	18" Thermocouple	2	2	2	2
	2200602	24" Thermocouple	2	2	2	2
29A	2200201	36" HT Wire	1	1	1	1
	2200200	48" HT Wire	3	3	3	3
30	2198102	Valve Connector Fitting	4	4	4	4
31	2200199	FF Valve 46/47	4	4	4	4
	2595199	FF Valve/Adapter Assy-Mfg. Gas	4	4	4	4
31A*	1086597	Gum Valve 3/16"	4	4	4	4
32	G7266-XX	Orifice Holder Special (Gas/Dest.)	4	4	4	4
	G7266-39F	Orifice Holder #39 Nat N. America	4	4	4	4
	G7266-50F	Orifice Holder #50 Pro N. America	4	4	4	4
	G7266-44F	Orifice Holder #44 G20/G25 Nat. Europe-CE	4	4	4	4
	G7266-54F	Orifice Holder #54 G31 Pro Europe-CE	4	4	4	4
	M9-XX	Orifice-MFG Gas (Spec Gas/Dest)	4	4	4	4
33	2519600	1/4 Tube Valve to Orifice	4	4	4	4
34	2395800	Valve Panel	1	1		
	2395801	Valve Panel			1	1
36	2522101	Knob Oven Valve	1	1		
	2522102	Knob (Top FF PEL)	4	4	4	4
	2522106	Knob (Top FF PEL) MFg Gas	4	4	4	4
	2522103	Knob (FD Oven C)	1	1		
	2522107	Knob (FD Oven F)	1	1		
37	2190699	Front Rail Assy	1	1	1	1
38	050069	Sectional Terminal Block	4	4	2	2
	050070	Sectional Terminal End	2	2	1	1
39	2336400	Mounting Bracket				1
40	2336300	Terminal Block Bracket				1
41	2336200	Terminal Block Enclosure				1
42	2247100	Wire Way				1
43	2336300	Insulation Retainer				1
44	2247300	Spark Modular Support				1
45	2247200	Spark Modular Enclosure				1
46	2144000	240 Volt Spark Generator				1
	2144002	120Volt Spark Generator				1
47	2200300	Push Button Switch				1
48	2247703	Secondary Valve Panel				1
49	2247400	Secondary Burner Box Bottom				1

\* NOT ILLUSTRATED

### RECOMMENDED STOCK PARTS

## GARLAND PARTS IDENTIFICATION

### Master Series

### Heavy Duty Range Open Top Section

Models: MST4S, T, SE, TE

ITEM	PART #	DESCRIPTION	QUANTITY			
			MODEL			
			MST4S	MST4T	MST4SE	MST4TE
1	1790602	LP BG Flue Cap 17"	1	1	1	1
2	1816401	LP BG Back 17" AZ	1	1	1	1
	1816402	LP BG Back 17" SS	1	1	1	1
3	1817301	LP Front Panel 17"	1	1	1	1
4	1768559	LP BG Upright Assy S/W	2	2	2	2
5	2539000	Rear Radiation Shield	1	1	1	1
	2539001	Rear Radiation Shield RR Gas	1	1	1	1
6	2546701	Burner Box Back	1		1	
	2546401	Burner Box Back		1		1
	2546705	Burner Box Back - RR Gas	1		1	
	2546412	Burner Box Back - RR Gas		1		1
7	2584800	Back Top	1	1	1	1
8	255900	Backguard Spacer		1		1
10	1768398	Shelf Mtg. Brkt. Assy RT	1	1	1	1
	1768399	Shelf Mtg. Brkt. Assy LT	1	1	1	1
11	2538900	Burner Rest - M4	1	1	1	1
12	2537400	Burner Hanger	2	2	2	2
13	2505400	Drip Tray Guide RH	1	1	1	1
	2505401	Drip Tray Guide LH	1	1	1	1
14	1132804	Burner Box Side RH/CRS	1		1	
	1132805	Burner Box Side RH/SS	1		1	
	1132806	Burner Box Side LH/CRS	1		1	
	1132807	Burner Box Side LH/SS	1		1	
	2247600	Burner Box Side RH/CRS		1		1
	2247601	Burner Box Side RH/SS		1		1
	2247602	Burner Box Side LH/CRS		1		1
2247603	Burner Box Side LH/SS		1		1	
15	2342802	Drip Pan	1	1	1	1
16	2515200	Burner Box Bottom	1		1	
	2426900	Burner Box Bottom		1		1
17	1769101	Top Ring Grate/Bowl	2	2	2	2
18	1769001	Top Grate 35 K Burner	1	1	1	1
19	2528200	Burner Head 35K	2	2	2	2
20	2528000	Front Burner Housing	1	1	1	1
21	2528100	Rear Burner Housing	1	1	1	1
22	2519200	Air Shutter	2	2	2	2
	G4202-2	Air Shutter - Manufactured Gas	2	2	2	2
23	2550200	Pilot Bracket-MST44 Rear Burner	1	1	1	1
23A	2550201	Pilot Bracket-MST44 Front Burner	1	1	1	1
24	2520800	Burner Pilot	2	2	2	2
	2520804	Sleeve 3/16" Comp	2	2	2	2
	2200704	3/16" Comp Nut	2	2	2	2
	2200706	Nut Thermo. Retain	2	2	2	2
	2520801	Orifice Pilot-51 Nat	2	2	2	2
	2520802	Orifice Pilot-30 Pro	2	2	2	2
	2520803	Orifice Pilot-23 Mfg Gas	2	2	2	2
	2200707	Nut-Electrode			2	2
2200900	Electrode			2	2	

\* NOT ILLUSTRATED

#### **RECOMMENDED STOCK PARTS**

## GARLAND PARTS IDENTIFICATION

### Master Series

### Heavy Duty Range Open Top Section

Models: MST4S, T,SE,TE

ITEM	PART #	DESCRIPTION	QUANTITY			
			MODEL			
			MST4S	MST4T	MST4SE	MST4TE
25	2445899	Manifold Assy	1	1	1	1
	2445898	Manifold Assy-Rear Gas	1	1	1	1
28	076029-185	Nipple - 1" NPY x 29" Lg	1	1	1	1
29	2200600	18" Thermocouple	1	1	1	1
	2200602	24" Thermocouple	1	1	1	1
	2200201	36" HT Wire			2	2
30	2198102	Valve Connector Fitting	2	2	2	2
31	2200199	FF Valve 46/45	2	2	2	2
	2595199	FF Valve/Adapter Assy. Mfg. Gas	2	2	2	2
31A	1086597	Gum Valve	2	2	2	2
32	G7266-XX	Orifice Holder Special (Gas/Dest.)	2	2	2	2
	G7266-39F	Orifice Holder #39 Nat N. America	2	2	2	2
	G7266-50F	Orifice Holder #50 Pro N. America	2	2	2	2
	G7266-44F	Orifice Holder #44 G20/G25 Nat. Europe-CE	2	2	2	2
	G7266-54F	Orifice Holder #54 G31 Pro Europe-CE	2	2	2	2
	M9-XX	Orifice-MFG Gas (Spec Gas/Dest)	2	2	2	2
33	2519600	1/4 Tube Valve to Orifice	2	2	2	2
34	2445900	Valve Panel	1	1	1	1
36	2522102	Knob (Top FF PEL)	2	2	2	2
	2522106	Knob (Top FF PEL) Mfg. Gas	2	2	2	2
37	2426899	Front Rail Assy	1	1	1	1
38	050069	Sectional Terminal Block			1	1
	050070	Sectional Terminal Enclosure			1	1
39	2336400	Mounting Bracket				1
40	2336300	Terminal Block Bracket				1
41	2336200	Terminal Block Enclosure				1
42	2247100	Wire Way				1
43	2336000	Insulation Retainer				1
44	2247300	Spark Modular Support				1
45	2247200	Spark Modular Enclosure				1
46	2144000	240V Spark Generator				1
	2144002	120V Spark Generator				1
47	2200300	Push Button Switch				1
48	2427100	Secondary Valve Panel				1
	2427103	Secondary Valve Panel			1	
49	2427000	Secondary Burner Box Bottom			1	
	2427001	Secondary Burner Box Bottom				1

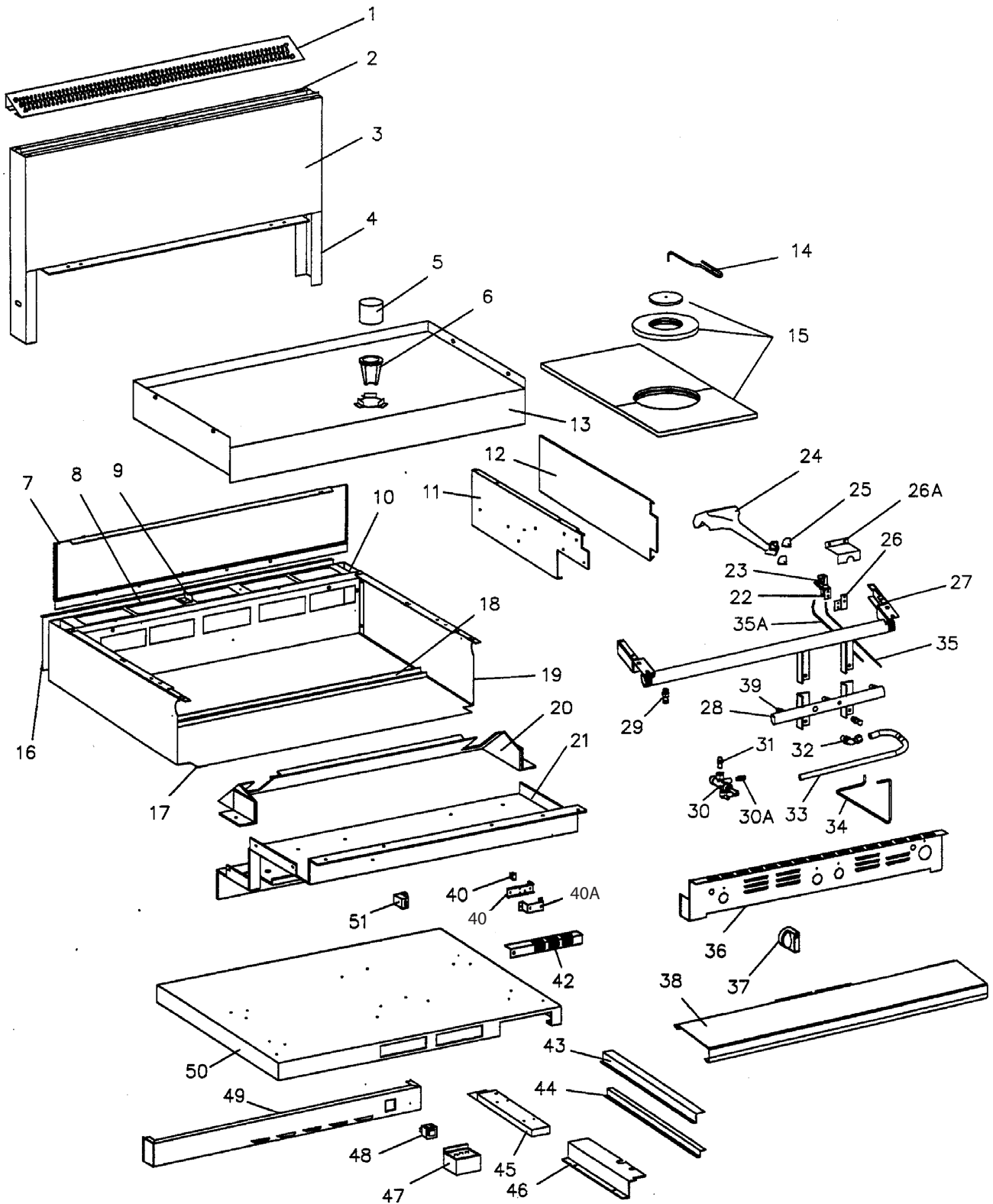
\* NOT ILLUSTRATED

#### **RECOMMENDED STOCK PARTS**

## **NOTES**



MASTER SERIES  
HEAVY DUTY RANGE FRONT-FIRED HOT TOP  
MODELS: MST45R,RC,S,T,RE,RCE,SE,TE;  
MST55,T,SE,TE





**GARLAND PARTS IDENTIFICATION**  
**Master Series**  
**Heavy Duty Range Front-Fired Hot Top**  
**Models: MST45R, RC,S,T**

ITEM	PART #	DESCRIPTION	QUANTITY			
			MODEL			
			MST45R	MST45RC	MST45S	MST45T
1	1790601	LP BG Flue Cap 34"	1	1	1	1
	1816407	LP BG Back 34" AZ	1	1	1	1
	1816408	LP BG Back 34" SS	1	1	1	1
3	1817304	LP Front Panel 34"	1	1	1	1
4	1768599	LP BG Upright Assy S/W	2	2	2	2
5	G01275-1	Alumdum Support	1	1	1	1
6	G02398-1	Brick Post Support	1	1	1	1
7	1806101	Burner Box Back	1	1	1	
	2546400	Burner Box Back				1
8	2553000	Back Top MST 40	1	1	1	1
9	2559000	Back Guard Spacer	1	1	1	1
10	1768399	Self Mtg Brkt. Assy LT	1	1	1	1
	1768398	Self Mtg Brkt. Assy RT	1	1	1	1
11	2548701	Side Radiation Shield LH	1	1	1	1
	2548700	Side Radiation Shield RH	1	1	1	1
12	G7338-1-6	Side Radiation Shield	2	2	2	2
13	G0450-01-6	Radiation Pan Assy	1	1	1	1
14	G6308-1-8	Lid Lifter	1	1	1	1
15	G6117-01	Key Plate Assy-Machined	2	2	2	2
16	G7341-1-6	Rear Radiation Shield	1	1	1	1
17	2512601	Burner Box Bottom	1	1	1	
	2546301	Burner Box Bottom M40T				1
18	G6307-1-5	Burner Box Brick Post Sup	1	1	1	1
19	1132804	Burner Box Side RT/CRS	1	1	1	
	1132805	Burner Box Side RT/SS	1	1	1	
	1132806	Burner Box Side LT/CRS	1	1	1	
	1132807	Burner Box Side LT/SS	1	1	1	
	2247602	Burner Box Side LT/CRS				1
	2247603	Burner Box Side RT/CRS				1
	2247600	Burner Box Side RT/SS				1
2247601	Burner Box Side LT/SS				1	
20	2207799	Burner Air Shield Assy	1	1	1	1
21	2209200	Top Burner Housing	1	1	1	1
22	2200700	Pilot Burner RH	2	2	2	2
23	2200702	Pilot Orifice # 32 Nat	2	2	2	2
	2200703	Pilot Orifice # 23 Pro	2	2	2	2
	2200709	Pilot Orifice # 40 MFG	2	2	2	2
	2200704	Compression Nut-2/16	2	2	2	2
	2200705	Olive Sleeve-3/16	2	2	2	2
	2200706	Nut-Thermocouple Retaining	2	2	2	2
24	G3575-32	Top Burner Natural	6	6	6	6
	G3575-36	Top Burner Propane	6	6	6	6
	G3575-40	Top Burner Manufactured	6	6	6	6
25	G4155	Air Shutter	12	12	12	12
26	2190700	Pilot Mtg Bracket	2	2	2	2

\* NOT ILLUSTRATED

**RECOMMENDED STOCK PARTS**

**GARLAND PARTS IDENTIFICATION**  
**Master Series**  
**Heavy Duty Range Front-Fired Hot Top**  
**Models: MST45R, RC,S,T**

ITEM	PART #	DESCRIPTION	QUANTITY			
			MODEL			
			MST45R	MST45RC	MST45S	MST45T
26A	2341600	Thermostat Heat Shield	1	1	1	1
27	2190999	Manifold Assy M45	1	1	1	1
28	2190499	Secondary Manifold Assy	1	1	1	1
29	G02251-1	Test Spigot	1	1	1	1
30	2180799	Flame Failure Valve	2	2	2	2
30A	1086597	Gum Valve - 3/16 Pilot	2	2	2	2
31	2198100	Valve Connector Fitting-12mm	2	2	2	2
32	076050-90	7/16CC x 1/4 NPT Elbow	1	1	1	1
33	2230100	Tube-7/16" Valve-Sec Manifold	2	2	2	2
34	2229000	Pilot Tube-LH	1	1	1	1
	2229100	Pilot Tube-RH	1	1	1	1
35	2200600	Thermocouple-18"	1	1	1	1
	2200601	Thermocouple-24"	1	1	1	1
37	2522106	Knob-Hot Top	2	2	2	2
	2522107	Knob (FD Oven F)	1	1		
	2522103	Knob (FD Oven C)	1	1		
38	2190699	Front Rail Assembly	1	1	1	1
39	2104552	Orifice- Natural (N. America)	6	6	6	6
	2104563	Orifice- Propane (N. America)	6	6	6	6
	2104554	Orifice- Nat G20/25 Europe-CE	6	6	6	6
	2104563	Orifice- Pro. G31 Europe-CE	6	6	6	6
	21045XX	Orifice- Special (Spec Gas/Dest)	6	6	6	6
49	2247702	Secondary Valve Panel				1
50	2247400	Secondary Burner Box Bottom				1

\* NOT ILLUSTRATED

**RECOMMENDED STOCK PARTS**

**GARLAND PARTS IDENTIFICATION**  
**Master Series**  
**Heavy Duty Range Front-Fired Hot Top**  
**Models: MST45RE, RCE, SE, TE**

ITEM	PART #	DESCRIPTION	QUANTITY			
			MODEL			
			MST45RE	MST45RCE	MST45SE	MST45TE
1	1790601	LP BG Flue Cap 34"	1	1	1	1
	1816407	LP BG Back 34" AZ	1	1	1	1
	1816408	LP BG Back 34" SS	1	1	1	1
3	1817304	LP Front Panel 34"	1	1	1	1
4	1768599	LP BG Upright Assy S/W	2	2	2	2
5	G01275-1	Alum dum Support	1	1	1	1
6	G02398-1	Brick Post Support	1	1	1	1
7	1806101	Burner Box Back	1	1	1	
	2546400	Burner Box Back				1
8	2553000	Back Top MST 40	1	1	1	1
9	2559000	Back Guard Spacer	1	1	1	1
10	1768399	Self Mtg Brkt. Assy LT	1	1	1	1
	1768398	Self Mtg Brkt. Assy RT	1	1	1	1
11	2548701	Side Radiation Shield LH	1	1	1	1
	2548700	Side Radiation Shield RH	1	1	1	1
12	G7338-1-6	Side Radiation Shield	2	2	2	2
13	G0450-01-6	Radiation Pan Assy	1	1	1	1
14	G6308-1-8	Lid Lifter	1	1	1	1
15	G6117-01	Key Plate Assy-Machined	2	2	2	2
16	G7341-1-6	Rear Radiation Shield	1	1	1	1
17	2512601	Burner Box Bottom	1	1	1	
	2546301	Burner Box Bottom M40T				1
18	G6307-1-5	Burner Box Brick Post Sup	1	1	1	1
19	1132804	Burner Box Side RT/CRS	1	1	1	
	1132805	Burner Box Side RT/SS	1	1	1	
	1132806	Burner Box Side LT/CRS	1	1	1	
	1132807	Burner Box Side LT/SS	1	1	1	
	2247602	Burner Box Side LT/CRS				1
	2247603	Burner Box Side RT/CRS				1
	2247600	Burner Box Side RT/SS				1
2247601	Burner Box Side LT/SS				1	
20	2207799	Burner Air Shield Assy	1	1	1	1
21	2209200	Top Burner Housing	1	1	1	1
22	2200700	Pilot Burner RH	2	2	2	2
23	2200702	Pilot Orifice # 32 Nat	2	2	2	2
	2200703	Pilot Orifice # 23 Pro	2	2	2	2
	2200709	Pilot Orifice # 40 MFG	2	2	2	2
	2200704	Compression Nut-2/16	2	2	2	2
	2200705	Olive Sleeve-3/16	2	2	2	2
	2200706	Nut-Thermocouple Retaining	2	2	2	2
	2200702	Nut-Electrode	2	2	2	2
	2200708	Electrode	2	2	2	2
24	G3575-32	Top Burner Natural	6	6	6	6
	G3575-36	Top Burner Propane	6	6	6	6
	G3575-40	Top Burner Manufactured	6	6	6	6

\* NOT ILLUSTRATED

**RECOMMENDED STOCK PARTS**

## GARLAND PARTS IDENTIFICATION

### Master Series

### Heavy Duty Range Front-Fired Hot Top

#### Models: MST45RE, RCE, SE, TE

ITEM	PART #	DESCRIPTION	QUANTITY			
			MODEL			
			MST45RE	MST45RCE	MST45SE	MST45TE
25	G4155	Air Shutter	12	12	12	12
26	2190700	Pilot Mtg Bracket	2	2	2	2
26A	2341600	Thermostat Heat Shield	1	1	1	1
27	2190999	Manifold Assy M45	1	1	1	1
28	2190499	Secondary Manifold Assy	1	1	1	1
29	G02251-1	Test Spigot	1	1	1	1
30	2180799	Flame Failure Valve	2	2	2	2
30A	1086597	Gum Valve - 3/16 Pilot	2	2	2	2
31	2198100	Valve Connector Fitting-12mm	2	2	2	2
32	076050-90	7/16CC x 1/4 NPT Elbow	1	1	1	1
33	2230100	Tube-7/16" Valve-Sec Manifold	2	2	2	2
34	2229000	Pilot Tube-LH	1	1	1	1
	2229100	Pilot Tube-RH	1	1	1	1
35	2200600	Thermocouple-18"	1	1	1	1
	2200601	Thermocouple-24"	1	1	1	1
35A	2200200	High Tension Wire-48"	1	1	1	1
	2200201	High Tension Wire-36"	1	1	1	1
37	2522106	Knob-Hot Top	2	2	2	2
	2522107	Knob (FD Oven F)	1	1		
	2522103	Knob (FD Oven C)	1	1		
38	2190699	Front Rail Assembly	1	1	1	1
39	2104552	Orifice- Natural (N. America)	6	6	6	6
	2104563	Orifice- Propane (N. America)	6	6	6	6
	2104554	Orifice- Nat G20/25 Europe-CE	6	6	6	6
	2104563	Orifice- Pro. G31 Europe-CE	6	6	6	6
	21045XX	Orifice- Special (Spec Gas/Dest)	6	6	6	6
40	050069	Sectional Terminal Block				1
	050070	Sectional Terminal End				1
40A	2336400	Mounting Bracket				1
41	2336300	Terminal Block Bracket				1
42	2336200	Terminal Block Enclosure				1
43	2247100	Wire Way				1
44	2336000	Insulation Retainer Secondary				1
45	2237300	Spark Modular Support				1
46	2247200	Spark Modular Enclosure				1
47	2144002	120V Spark Generator				1
	2144000	240V Spark Generator				1
48	2200300	Push Button Switch				1
49	2247702	Secondary Valve Panel				1
50	2247400	Secondary Burner Box Bottom				1
51	2533200	EMI Filter				1

\* NOT ILLUSTRATED

#### **RECOMMENDED STOCK PARTS**

**GARLAND PARTS IDENTIFICATION**  
**Master Series**  
**Heavy Duty Range Front-Fired Hot Top**  
**Models: MST5S, T**

ITEM	PART #	DESCRIPTION	QUANTITY	
			MODEL	
			MST5S	MST5T
1	1790602	LP BG Flue Cap 17"	1	1
2	1816401	LP BG Back 17" AZ	1	1
	1816402	LP BG Back 17" SS	1	1
3	1817301	LP Front Panel 17"	1	1
4	1768599	LP BG Upright Assy S/w	1	1
7	2546701	Burner Box Back 17"	1	
	2546401	Burner Box Back M40T 17"		1
8	2584800	Back Top-17"	1	1
10	1768399	Shelf Mfg. Brkt. Assy LT	1	1
	1768398	Shelf Mfg. Brkt. Assy RT	1	1
11	2565901	Side Radiation Shield LH	1	1
	2565900	Side Radiation Shield RH	1	1
12	G7338-1-6	Side Radiation Shield	2	2
13	2340699	Radiation Pan Assembly	1	1
14	G6308-1-8	Lid Lifter		
15	G61170-011	Key Plate Assy-Machined	1	1
16	2539000	Rear Radiation Shield 17"	1	1
17	2546303	Burner Box Bottom M40T 17"		1
	2575201	Burner Box Bottom	1	
19	1132804	Burner Box Side RT/CRS	1	
	1132805	Burner Box Side RT/SS	1	
	1132806	Burner Box Side LT/CRS	1	
	1132807	Burner Box Side LT/SS	1	
	2247602	Burner Box Side LT/CRS		1
	2247603	Burner Box Side RT/CRS		1
	2247600	Burner Box Side RT/SS		1
2247601	Burner Box Side LT/SS		1	
20	2554299	Burner Air Shield Assy		1
21	2341201	Top Burner Housing	1	1
22	2200700	Pilot Burner RH	1	1
23	2200702	Pilot Orifice #32 Nat	1	1
	2200703	Pilot Orifice #23 Pro	1	1
	2200709	Pilot Orifice #40 Mfg	1	1
	2200704	Compression Nut 3/16	1	1
	2200705	Olive Sleeve-3/16	1	1
	2200706	Nut-Thermocouple Retaining	1	1
24	G3575-32	Top Burner Natural	3	3
	G3575-36	Top Burner Propane	3	3
	G3575-40	Top Burner Manufactured	3	3
25	G4155	Air Shutter	6	6
26	2190700	Pilot Mtg. Bracket	1	1
27	2554499	Manifold Assy M5	1	1
	2554498	Manifold Assy M5-3/4RR Gas	1	1
28	2190499	Secondary Manifold Assy	1	1
29	G02251-1	Test Spigot	1	1
30	2187099	Flame Failure Valve	1	1
30A	1086597	Gum Valve-3/16 Pilot	1	1
31	2198100	Valve Connector Fitting-12mm	1	1

\* NOT ILLUSTRATED

**RECOMMENDED STOCK PARTS**

**GARLAND PARTS IDENTIFICATION**  
**Master Series**  
**Heavy Duty Range Front-Fired Hot Top**  
**Models: MST5S, T**

ITEM	PART #	DESCRIPTION	QUANTITY	
			MODEL	
			MST5S	MST5T
32	076050-90	7/16 CC x 1/4 NPT Elbow	1	1
33	2230100	Tube 7/16" Valve-Sec Manifold	1	1
34	2229100	Pilot Tube-RH	1	1
35	2200601	Thermocouple-24"	1	1
36	2565800	Valve Panel	1	1
37	2522106	Knob-Hot Top	1	1
38	2426899	Front Rail Assembly	1	1
39	2104553	Orifice-Nat (N. America)	3	3
	2104563	Orifice-Pro (N. America)	3	3
	2104554	Orifice-Nat G20/25 Europe-CE	3	3
	2104563	Orifice-Pro G31 Europe-CE	3	3
	21045XX	Orifice Special (Spec Gas/Dest)	3	3
49	2427100	Secondary Valve Panel	1	1
50	2427001	Secondary Burner Box Bottom	1	1

\* NOT ILLUSTRATED

**RECOMMENDED STOCK PARTS**

**GARLAND PARTS IDENTIFICATION**  
**Master Series**  
**Heavy Duty Range Front-Fired Hot Top**  
**Models: MST5SE, TE**

ITEM	PART #	DESCRIPTION	QUANTITY	
			MODEL	
			MST5SE	MST5TE
1	1790602	LP BG Flue Cap 17"	1	1
2	1816401	LP BG Back 17" AZ	1	1
	1816402	LP BG Back 17" SS	1	1
3	1817301	LP Front Panel 17"	1	1
4	1768599	LP BG Upright Assy S/w	1	1
7	2546701	Burner Box Back 17"	1	
	2546401	Burner Box Back M40T 17"		1
8	2584800	Back Top-17"	1	1
10	1768399	Shelf Mfg. Brkt. Assy LT	1	1
	1768398	Shelf Mfg. Brkt. Assy RT	1	1
11	2565901	Side Radiation Shield LH	1	1
	2565900	Side Radiation Shield RH	1	1
12	G7338-1-6	Side Radiation Shield	2	2
13	2340699	Radiation Pan Assembly	1	1
14	G6308-1-8	Lid Lifter		
15	G61170-011	Key Plate Assy-Machined	1	1
16	2539000	Rear Radiation Shield 17"	1	1
17	2546303	Burner Box Bottom M40T 17"		1
	2575201	Burner Box Bottom	1	
19	1132804	Burner Box Side RT/CRS	1	
	1132805	Burner Box Side RT/SS	1	
	1132806	Burner Box Side LT/CRS	1	
	1132807	Burner Box Side LT/SS	1	
	2247602	Burner Box Side LT/CRS		1
	2247603	Burner Box Side RT/CRS		1
	2247600	Burner Box Side RT/SS		1
20	2554299	Burner Air Shield Assy		1
21	2341201	Top Burner Housing	1	1
22	2200700	Pilot Burner RH	1	1
23	2200702	Pilot Orifice #32 Nat	1	1
	2200703	Pilot Orifice #23 Pro	1	1
	2200709	Pilot Orifice #40 Mfg	1	1
	2200704	Compression Nut 3/16	1	1
	2200705	Olive Sleeve-3/16	1	1
	2200706	Nut-Thermocouple Retaining	1	1
	2200707	Nut-Electrode	1	1
	2200708	Electrode	1	1
24	G3575-32	Top Burner Natural	3	3
	G3575-36	Top Burner Propane	3	3
	G3575-40	Top Burner Manufactured	3	3
25	G4155	Air Shutter	6	6
26	2190700	Pilot Mtg. Bracket	1	1
27	2554499	Manifold Assy M5	1	1
	2554498	Manifold Assy M5-3/4RR Gas	1	1
28	2190499	Secondary Manifold Assy	1	1
29	G02251-1	Test Spigot	1	1
30	2187099	Flame Failure Valve	1	1

\* NOT ILLUSTRATED

**RECOMMENDED STOCK PARTS**

**GARLAND PARTS IDENTIFICATION**  
**Master Series**  
**Heavy Duty Range Front-Fired Hot Top**  
**Models: MST5SE, TE**

ITEM	PART #	DESCRIPTION	QUANTITY	
			MODEL	
			MST5SE	MST5TE
30A	1086597	Gum Valve-3/16 Pilot	1	1
31	2198100	Valve Connector Fitting-12mm	1	1
32	076050-90	7/16 CC x 1/4 NPT Elbow	1	1
33	2230100	Tube 7/16" Valve-Sec Manifold	1	1
34	2229100	Pilot Tube-RH	1	1
35	2200601	Thermocouple-24"	1	1
	2200208	High Tension Wire-60"	1	
	2200200	High Tension Wire-48"		1
36	2565800	Valve Panel	1	1
37	2522106	Knob-Hot Top	1	1
38	2426899	Front Rail Assembly	1	1
39	2104553	Orifice-Nat (N. America)	3	3
	2104563	Orifice-Pro (N. America)	3	3
	2104554	Orifice-Nat G20/25 Europe-CE	3	3
	2104563	Orifice-Pro G31 Europe-CE	3	3
	21045XX	Orifice Special (Spec Gas/Dest)	3	3
40	050069	Sectional Terminal Block		1
	050070	Sectional Terminal End		1
40A	2336400	Mounting Bracket		1
41	2336300	Terminal Block Bracket		1
42	2336200	Terminal Block Enclosure		1
43	2247100	Wire Way		1
44	2336000	Insulation Retainer Secondary		1
45	2237300	Spark Modular Support		1
46	2247200	Spark Modular Enclosure		1
47	2144002	120V Spark Generator		1
	2144000	240V Spark Generator		1
48	2200300	Push Button Switch		1
49	2427100	Secondary Valve Panel		1
50	2427001	Secondary Burner Box Bottom		1
51	2533200	EMI Filter		1

\* NOT ILLUSTRATED

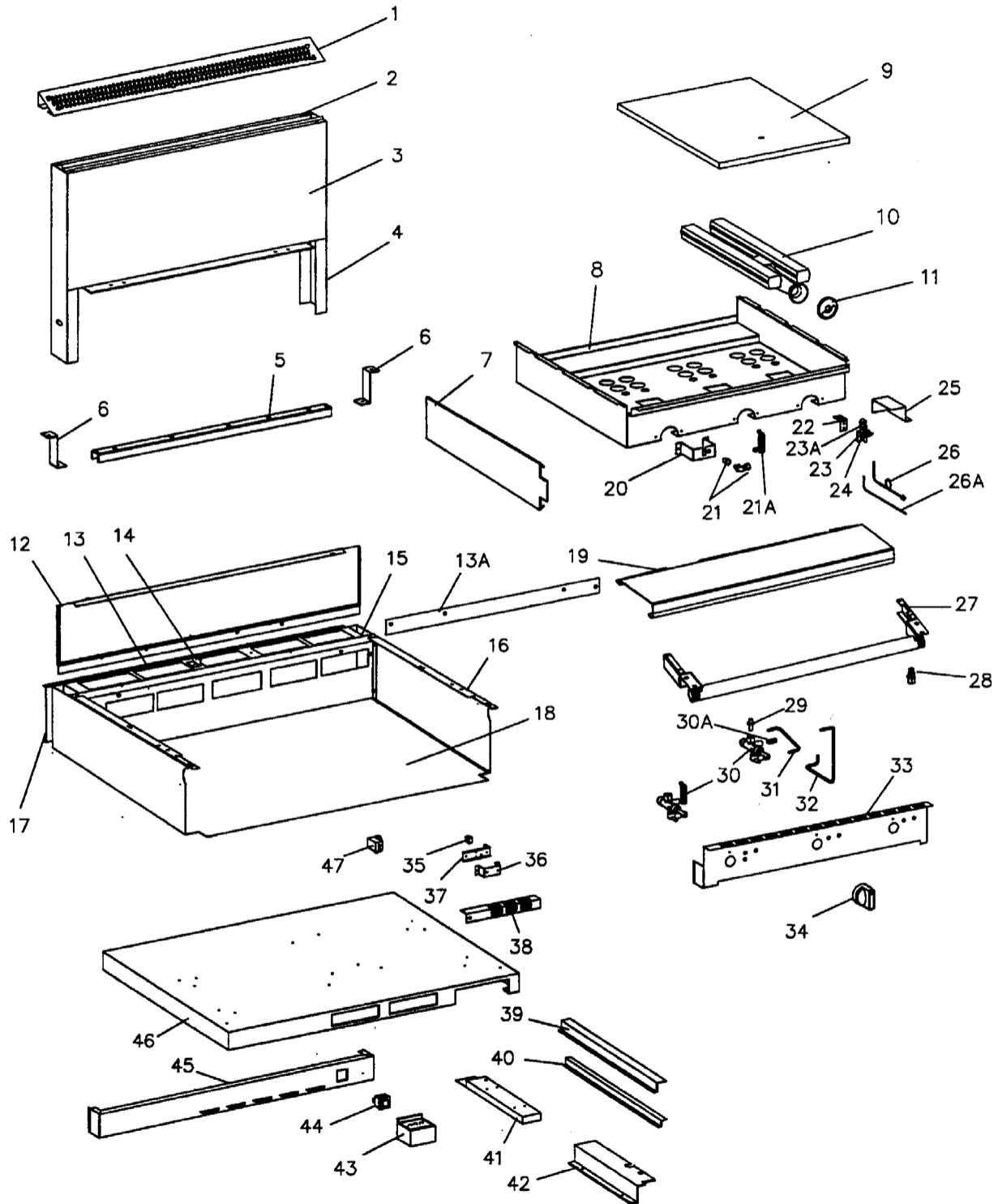
**RECOMMENDED STOCK PARTS**



## ***NOTES***



MASTER SERIES  
HEAVY DUTY RANGE EVEN HEAT HOT TOP  
MODELS: MST46R,RC,S,T,RE,RCE,SE,TE;  
MST6S,T,SE,TE



**GARLAND PARTS IDENTIFICATION**  
**Master Series**  
**Heavy Duty Range Even Heat Hot Top**  
**Models: MST46R, RC, S, T**

ITEM	PART #	DESCRIPTION	QUANTITY			
			MODEL			
			MST46R	MST46RC	MST46S	MST46T
1	1790601	LB BG Flue Cap 34"	1	1	1	1
2	1816407	LB BG Back 34" AZ	1	1	1	1
	1816408	LB BG Back 34" SS	1	1	1	1
3	1817304	LP Front Panel 34"	1	1	1	1
4	1568399	LP BG Upright Assy S/W	2	2	2	2
5	2552200	Burner Rest	1	1	1	1
6	2194300	Burner Hanger	2	2	2	2
7	G7338-1-6	Side Radiation Shield	2	2	2	2
8	2194899	Fire Box Assy	1	1	1	1
9	G0552-1	Hot Top	2	2	2	2
10	1014900	Griddle H Burner	3	3	3	3
11	1028002	Air Shutter	3	3	3	3
12	1806101	Burner Box Back	1	1	1	
	1806103	Burner Box Back RR Gas	1	1	1	
	2546400	Burner Box Back M40T				1
	2546405	Burner Box Back M40T RR Gas				1
13	2553000	Back Top	1	1	1	1
13A	2132200	Back Top Adapter	1	1	1	1
14	2559000	Backguard Spacer	1	1	1	1
15	1768299	Shelf Mtg Brkt Assy LT	1	1	1	1
	1768298	Shelf Mtg Brkt Assy RT	1	1	1	1
16	1132806	Burner Box Side RT CRS	1	1	1	
	1132804	Burner Box Side RT S/S	1	1	1	
	1132805	Burner Box Side LT CRS	1	1	1	
	1132806	Burner Box Side LT S/S	1	1	1	
	2247600	Burner Box Side RT CRS				1
	2247601	Burner Box Side RTS/S				1
	2247602	Burner Box Side LT CRS				1
2247603	Burner Box Side LT S/S				1	
17	G7341-1-6	Rear Radiation Shield	1	1	1	1
	G7341-4-6	Rear Radiation Shield RR Gas	1	1	1	1
18	2512601	Burner Box Bottom S/S	1	1	1	
	2247000	Burner Box Bottom				1
19	2190699	Front Rail Assy	1	1	1	1
20	2188700	Orifice Support	3	3	3	3
21	G02486-2.2mm	Orifice Fitting Nat N. American	3	3	3	3
	G02486-53	Orifice Fitting Pro N. American	3	3	3	3
	G02486-2.1	Orifice Fitting G20/G25 Nat Europe CE	3	3	3	3
	G02486-54F	Orifice Fitting - G31 Pro Europe CE	3	3	3	3
	G02486-00	Orifice Fitting Special (Specify Gas)	3	3	3	3
	M8-XX	Orifice -Mfg Gas ( Spec Gas/Dest)	3	3	3	3
22	2194100	H Burner Pilot Bracket	3	3	3	3
23	2200700	Pilot Burner RH	3	3	3	3

\* NOT ILLUSTRATED

**RECOMMENDED STOCK PARTS**

**GARLAND PARTS IDENTIFICATION**  
**Master Series**  
**Heavy Duty Range Even Heat Hot Top**  
**Models: MST46R, RC, S, T**

ITEM	PART #	DESCRIPTION	QUANTITY			
			MODEL			
			MST46R	MST46RC	MST46S	MST46T
23A	2200702	Pilot Orifice #32 Natural	3	3	3	3
	2200703	Pilot Orifice #23 Propane	3	3	3	3
	2200709	Pilot Orifice #40 Manufactured Gas	3	3	3	3
24	2200708	Electrode				
25	2270200	Pilot Shield	1	1	1	1
26	2200600	18" Thermocouple	3	3	3	3
27	2194799	Manifold Assy M47 Std.	1	1	1	1
	2194797	Manifold Assy Rear Gas	1	1	1	1
28	G02251-1	Test Spigot	1	1	1	1
29	2198102	Valve Connector Fitting	3	3	3	3
30	2200199	FF Valve	3	3	3	3
	2200195	FF Valve/Adapter Assy-Mfg. Gas	3	3	3	3
30A	1086597	Gum Valve - 3/16 Pilot	3	3	3	3
31	2229300	.187 Tube Valve Pilot	3	3	3	3
32	2229700	.250 Tube Valve Orifice	3	3	3	3
33	2563800	Valve Panel	1	1		
	2563801	Valve Panel			1	1
34	4512120	Knob (Top FF PEL)	3	3	3	3
45	2247701	Secondary Valve Panel				1
46	2247401	Secondary Burner Box Bottom				1

\* NOT ILLUSTRATED

**RECOMMENDED STOCK PARTS**

**GARLAND PARTS IDENTIFICATION**  
**Master Series**  
**Heavy Duty Range Even Heat Hot Top**  
**Models: MST46RE, RCE, SE, TE**

ITEM	PART #	DESCRIPTION	QUANTITY			
			MODEL			
			MST46RE	MST46RCE	MST46SE	MST46TE
1	1790601	LB BG Flue Cap 34"	1	1	1	1
2	1816407	LB BG Back 34" AZ	1	1	1	1
	1816408	LB BG Back 34" SS	1	1	1	1
3	1817304	LP Front Panel 34"	1	1	1	1
4	1568399	LP BG Upright Assy S/W	2	2	2	2
5	2552200	Burner Rest	1	1	1	1
6	2194300	Burner Hanger	2	2	2	2
7	G7338-1-6	Side Radiation Shield	2	2	2	2
8	2194899	Fire Box Assy	1	1	1	1
9	G0552-1	Hot Top	2	2	2	2
10	1014900	Griddle H Burner	3	3	3	3
11	1028002	Air Shutter	3	3	3	3
12	1806101	Burner Box Back	1	1	1	
	1806103	Burner Box Back RR Gas	1	1	1	
	2546400	Burner Box Back M40T				1
	2546405	Burner Box Back M40T RR Gas				1
13	2553000	Back Top	1	1	1	1
13A	2132200	Back Top Adapter	1	1	1	1
14	2559000	Backguard Spacer	1	1	1	1
15	1768299	Shelf Mtg Brkt Assy LT	1	1	1	1
	1768298	Shelf Mtg Brkt Assy RT	1	1	1	1
16	1132806	Burner Box Side RT CRS	1	1	1	
	1132804	Burner Box Side RT S/S	1	1	1	
	1132805	Burner Box Side LT CRS	1	1	1	
	1132806	Burner Box Side LT S/S	1	1	1	
	2247600	Burner Box Side RT CRS				1
	2247601	Burner Box Side RTS/S				1
	2247602	Burner Box Side LT CRS				1
2247603	Burner Box Side LT S/S				1	
17	G7341-1-6	Rear Radiation Shield	1	1	1	1
	G7341-4-6	Rear Radiation Shield RR Gas	1	1	1	1
18	2512601	Burner Box Bottom S/S	1	1	1	
	2247000	Burner Box Bottom				1
19	2190699	Front Rail Assy	1	1	1	1
20	2188700	Orifice Support	3	3	3	3
21	G02486-2.2mm	Orifice Fitting Nat N. American	3	3	3	3
	G02486-53m	Orifice Fitting Pro N. American	3	3	3	3
	G02486-2.1	Orifice Fitting G20/G25 Nat Europe CE	3	3	3	3
	G02486-54F	Orifice Fitting - G31 Pro Europe CE	3	3	3	3
	G02486-00	Orifice Fitting Special (Specify Gas)	3	3	3	3
	M8-XX	Orifice -Mfg. Gas ( Spec Gas/Dest)	3	3	3	3
22	2194100	H Burner Pilot Bracket	3	3	3	3
23	2200700	Pilot Burner RH	3	3	3	3

\* NOT ILLUSTRATED

**RECOMMENDED STOCK PARTS**

**GARLAND PARTS IDENTIFICATION**  
**Master Series**  
**Heavy Duty Range Even Heat Hot Top**  
**Models: MST46RE, RCE, SE, TE**

ITEM	PART #	DESCRIPTION	QUANTITY			
			MODEL			
			MST46RE	MST46RCE	MST46SE	MST46TE
23A	2200702	Pilot Orifice #32 Natural	3	3	3	3
	2200703	Pilot Orifice #23 Propane	3	3	3	3
	2200709	Pilot Orifice #40 Manufactured Gas	3	3	3	3
24	2200708	Electrode	3	3		
25	2270200	Pilot Shield	1	1	1	1
26	2200600	18" Thermocouple	3	3	3	3
26A	2200200	High Tension Wire-48"	2	2	1	2
	2200201	High Tension Wire-36"			1	1
	2200208	High Tension Wire-60"			1	
27	2194799	Manifold Assy M47 Std.	1	1	1	1
	2194797	Manifold Assy Rear Gas	1	1	1	1
28	G02251-1	Test Spigot	1	1	1	1
29	2198102	Valve Connector Fitting	3	3	3	3
30	2200199	FF Valve	3	3	3	3
	2200195	FF Valve/Adapter Assy-Mfg. Gas	3	3	3	3
30A	1086597	Gum Valve - 3/16 Pilot	3	3	3	3
31	2229300	.187 Tube Valve Pilot	3	3	3	3
32	2229700	.250 Tube Valve Orifice	3	3	3	3
33	2563800	Valve Panel	1	1		
	2563801	Valve Panel			1	1
34	252210	Knob (Top FF PEL)	3	3	3	3
35	050069	Sectional Terminal Block				2
	050070	Sectional Terminal End				1
36	2336400	Mounting Bracket				1
37	2336300	Terminal Block Bracket				1
38	2336200	Terminal Block Enclosure				1
39	2247100	Wire Way				1
40	2336000	Insulation Retainer Secondary				1
41	2237300	Spark Modular Support				1
42	2247200	Spark Modular Enclosure				1
43	2144002	120V Spark Generator				1
	2144000	240V Spark Generator				1
44	2200300	Push Button Switch				1
45	2247700	Secondary Valve Panel				1
46	2247400	Secondary Burner Box Bottom				1
47	2533200	EMI Filter				1

\* NOT ILLUSTRATED

**RECOMMENDED STOCK PARTS**

## GARLAND PARTS IDENTIFICATION

### Master Series

### Heavy Duty Range Even Heat Hot Top

Models: MST6S, T, SE, TE

ITEM	PART #	DESCRIPTION	QUANTITY			
			MODEL			
			MST6S	MST6T	MST6SE	MST6TE
1	1790602	LP BG Flue Cap 17"	1	1	1	1
2	1816401	LP BG Back 17" Az	1	1	1	1
	1816402	LP BG Back 17" SS	1	1	1	1
3	1817301	LP Front Panel 17"	1	1	1	1
4	1568599	LP BG Upright Assy S/N	2	2	2	2
5	2551400	Attach Burner Rest	1	1	1	1
6	2194300	Burner Hanger	2	2	2	2
7	G7338-1-6	Side Radiation Shield	2	2	2	2
8	2517399	Fire Box Assy	1	1	1	1
9	G0552-1	Hot Top	1	1	1	1
10	1014900	Griddle H Burner	1	1	1	1
11	1028002	Air Shutter	1	1	1	1
12	2546704	Burner Box Back RR Gas	1	1	1	1
	2546701	Burner Box Back	1	1	1	1
	2546401	Burner Box Back				1
	2546405	Burner Box Back RR Gas				1
13	2584800	Back Top	1	1	1	1
14	2559000	Back Guard Spacer	1	1	1	1
15	1768399	Shelf Mtg. Bracket Assy LT	1	1	1	1
	1768398	Shelf Mtg. Bracket Assy RT	1	1	1	1
16	1132806	Burner Box Side LT CRS	1		1	
	1132804	Burner Box Side RT CRS	1		1	
	1132805	Burner Box Side RT S/S	1		1	
	1132807	Burner Box Side LT S/S	1		1	
	2247600	Burner Box Side RT CRS		1		1
	2247601	Burner Box Side RT S/S		1		1
	2247602	Burner Box Side LT CRS		1		1
17	2539000	Rear Radiation Shield 17"	1	1	1	1
	2539002	Rear Radiation Shield	1	1	1	1
18	2515201	Burner Box Bottom	1		1	
	2426900	Burner Box Bottom		1		1
19	2426899	Front Rail Assy	1	1	1	1
20	2188700	Orifice Support	1	1	1	1
21	G02486-2.2mm	Orifice Fitting Nat N. American	1	1	1	1
	G02486-53F	Orifice Fitting Pro N. American	1	1	1	1
	G02486-2.1	Orifice Fitting G20/G25 Nat Europe CE	1	1	1	1
	G02486-54F	Orifice Fitting - G31 Pro Europe CE	1	1	1	1
	G02486-00	Orifice Fitting Special (Specify Gas)	1	1	1	1
	M8-XX	Orifice -Mfg Gas ( Spec Gas/Dest)	1	1	1	1
22	2194100	H Burner Pilot Bracket	1	1	1	1
23	2200700	Pilot Burner RH	1	1	1	1
24	2200708	Electrode			1	1
25	2270200	Pilot Shield	1	1	1	1
26	2200600	18" Thermocouple	1	1	1	1
26A	2200200	High Tension Wire-48"				1
	2200208	High Tension Wire-60"				1

\* NOT ILLUSTRATED

#### **RECOMMENDED STOCK PARTS**

**GARLAND PARTS IDENTIFICATION**  
**Master Series**  
**Heavy Duty Range Even Heat Hot Top**  
**Models: MST6S, T, SE, TE**

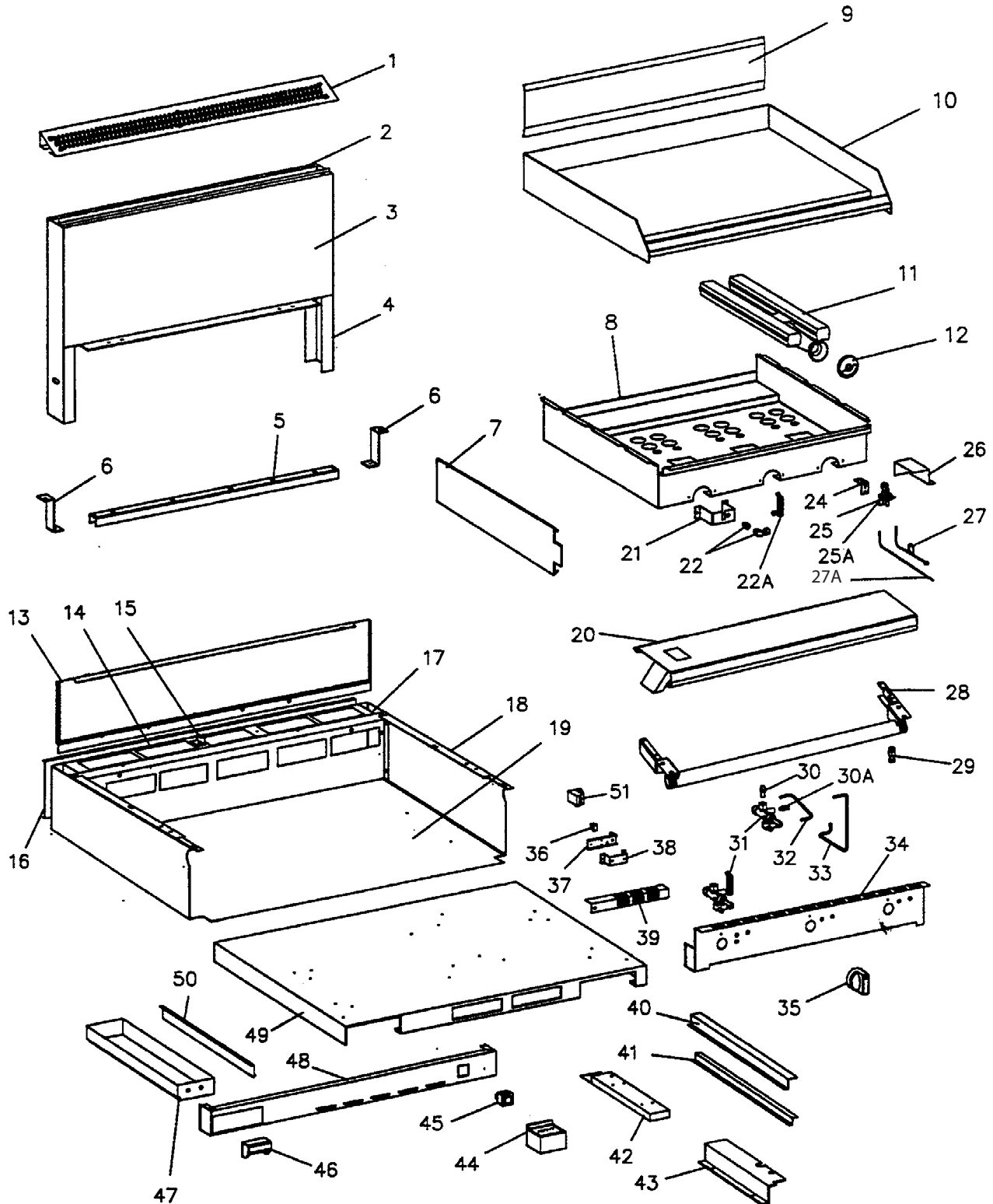
ITEM	PART #	DESCRIPTION	QUANTITY			
			MODEL			
			MST6S	MST6T	MST6SE	MST6TE
27	2445799	Manifold Assy M6/7 STD	1	1	1	1
	2445798	Manifold Assy M6/7 Rear Gas	1	1	1	1
28	G02251-1	Test Spigot	1	1	1	1
29	2198102	Valve Connector Fitting 10mm	1	1	1	1
30	2200199	FF Valve	1	1	1	1
	2200195	FF Valve/Adapter Assy. - Mfg Gas	1	1	1	1
30A	1086587	Gum Valve - 3/16 Pilot	1	1	1	1
31	2229300	.187 Tube Valve Pilot	1	1	1	1
32	2229700	.250 Tube Valve Orifice	1	1	1	1
33	2427200	Valve Panel	1	1	1	1
34	2522102	Knob (Top FF PEL)	1	1	1	1
35	050069	Sectional Terminal Block				1
	050070	Sectional Terminal End				1
36	2336400	Mounting Bracket				1
37	2336300	Terminal Block Bracket				1
38	2336200	Terminal Block Enclosure				1
39	2247100	Wire Way				1
40	2336000	Insulation Retainer Secondary				1
41	2237300	Spark Modular Support				1
42	2247200	Spark Modular Enclosure				1
43	2144002	120V Spark Generator				1
	2144000	240V Spark Generator				1
44	2200300	Push Button Switch				1
45	2427103	Secondary Valve Panel		1		1
46	2427001	Secondary Burner Box Bottom		1		1
47	2533200	EMI Filter				1

\* NOT ILLUSTRATED

**RECOMMENDED STOCK PARTS**



## **NOTES**



## GARLAND PARTS IDENTIFICATION

Master Series

Heavy Duty Griddle

Models: MST47R, RC, S, T

ITEM	PART #	DESCRIPTION	QUANTITY			
			MODEL			
			MST47R	MST47RC	MST47S	MST47T
1	1790601	LB BG Flue Cap 34"	1	1	1	1
2	1816407	LB BG Back 34" AZ	1	1	1	1
	1816408	LB BG Back 34" SS	1	1	1	1
3	1817304	LP Front Panel 34"	1	1	1	1
4	1568399	LP BG Upright Assy S/W	2	2	2	2
5	2552200	Burner Rest	1	1	1	1
6	2194300	Burner Hanger	2	2	2	2
7	G7338-1-6	Side Radiation Shield	2	2	2	2
8	2194899	Fire Box Assy	1	1	1	1
9	G044-034-9	Rear Splashguard Assy	1	1	1	1
10	1781487	Frytop Weld Assy 34"	1	1	1	1
	1781471	Grooved Griddle Weld Assy 34"	1	1	1	1
11	1014900	Griddle H Burner	3	3	3	3
12	1028002	Air Shutter	3	3	3	3
13	1806101	Burner Box Back	1	1	1	
	1806103	Burner Box Back- RR Gas	1	1	1	
	2546400	Burner Box Back				1
	2546405	Burner Box Back- RR Gas				1
14	2553000	Back Top-M47	1	1	1	1
	2553002	Back Top Rear Gas	1	1	1	1
15	2559000	Backguard Spacer	1	1	1	1
	G7341-1-6	Rear Radiation Shield	1	1	1	1
16	G7341-4-6	Rear Radiation Shield-RR Gas	1	1	1	1
	1768399	Shelf Mtg. Brkt Assy LT	1	1	1	1
17	1768398	Shelf Mtg. Brkt Assy RT	1	1	1	1
	18	1132806	Burner Box Side LT/CRS	1	1	1
1132804		Burner Box Side RT/CRS	1	1	1	
1132805		Burner Box Side RT/SS	1	1	1	
1132807		Burner Box Side LT/SS	1	1	1	
2247602		Burner Box Side RT/CRS				1
2247603		Burner Box Side RT/SS				1
2247600		Burner Box Side LT/CRS				1
2247601		Burner Box Side LT/SS				1
19	2512600	Burner Box Bottom	1	1	1	
	2247000	Burner Box Bottom				1
20	2190698	Front Rail Assembly	1	1	1	1
	2426898	Front Rail Assembly				
21	2188700	Orifice Support	3	3	3	3
22	G02486-2.2mm	Orifice Fitting Nat N. American	3	3	3	3
	G02486-53	Orifice Fitting Pro N. American	3	3	3	3
	G02486-2.1mm	Orifice Fitting G20/G25 Nat Europe CE	3	3	3	3
	G02486-54F	Orifice Fitting - G31 Pro Europe CE	3	3	3	3
	G02486-00	Orifice Fitting Special (Specify Gas)	3	3	3	3
	M8-XX	Orifice -Mfg Gas (Spec Gas/Dest)	3	3	3	3
24	2194100	H Burner Pilot Bracket	3	3	3	3

\* NOT ILLUSTRATED

### RECOMMENDED STOCK PARTS

## GARLAND PARTS IDENTIFICATION

Master Series

Heavy Duty Griddle

Models: MST47R, RC, S, T

ITEM	PART #	DESCRIPTION	QUANTITY			
			MODEL			
			MST47R	MST47RC	MST47S	MST47T
25	2200700	Pilot Burner RH	3	3	3	3
25A	2200702	Pilot Orifice #32 Natural	3	3	3	3
	2200703	Pilot Orifice #23 Propane	3	3	3	3
	2200709	Pilot Orifice #40 Manufactured Gas	3	3	3	3
	2200704	Compression Nut- 3/16	3	3	3	3
	2200705	Olive Sleeve-3/16	3	3	3	3
	2200706	Nut-Thermocouple Retaining	3	3	3	3
26	2270200	Pilot Shield	1	1	1	1
27	2200600	Thermocouple-18"	3	3	3	3
28	2194799	Manifold Assy	1	1	1	1
	2184797	Manifold Assy Rear Gas	1	1	1	1
29	G02251-1	Test Spigot	1	1	1	1
30	2198102	Valve Connector-10mm	3	3	3	3
30A	1086597	Gum Valve-3/16 Pilot	3	3	3	3
31	2200199	Valve-Flame Failure	3	3	3	3
	2200195	Valve/Adapter Assy-FF Mfg. Gas	3	3	3	3
32	2229300	.187 Tube Valve Pilot	3	3	3	3
33	2229700	.250 Tube Valve Orifice	3	3	3	3
34	2224600	Valve Panel	1	1		
	2224601	Valve Panel			1	1
35	2522102	Knob	3	3	3	3
	2522107	Knob (FD Oven F)	1	1		
	2522104	Knob (FD Oven C)	1	1		
46	2193000	Grease Tray Handle	1	1	1	1
47	2201499	Grease Container Assy	1	1	1	
	2335699	Grease Tray Assy				1
48	2247702	Secondary Valve Panel				1
49	2247400	Secondary Burner Box Bottom				1
50	2425600	Grease Tray Guide				1

\* NOT ILLUSTRATED

**RECOMMENDED STOCK PARTS**

## GARLAND PARTS IDENTIFICATION

Master Series

Heavy Duty Griddle

Models: MST47RE, RCE, SE, TE

ITEM	PART #	DESCRIPTION	QUANTITY			
			MODEL			
			MST47RE	MST47RCE	MST47SE	MST47TE
1	1790601	LB BG Flue Cap 34"	1	1	1	1
2	1816407	LB BG Back 34" AZ	1	1	1	1
	1816408	LB BG Back 34" SS	1	1	1	1
3	1817304	LP Front Panel 34"	1	1	1	1
4	1568399	LP BG Upright Assy S/W	2	2	2	2
5	2552200	Burner Rest	1	1	1	1
6	2194300	Burner Hanger	2	2	2	2
7	G7338-1-6	Side Radiation Shield	2	2	2	2
8	2194899	Fire Box Assy	1	1	1	1
9	G044-034-9	Rear Splashguard Assy	1	1	1	1
10	1781487	Frytop Weld Assy 34"	1	1	1	1
	1781471	Grooved Griddle Weld Assy 34"	1	1	1	1
11	1014900	Griddle H Burner	3	3	3	3
12	1028002	Air Shutter	3	3	3	3
13	1806101	Burner Box Back	1	1	1	
	1806103	Burner Box Back- RR Gas	1	1	1	
	2546400	Burner Box Back				1
	2546405	Burner Box Back- RR Gas				1
14	2553000	Back Top-M47	1	1	1	1
	2553002	Back Top Rear Gas	1	1	1	1
15	2559000	Backguard Spacer	1	1	1	1
16	G7341-1-6	Rear Radiation Shield	1	1	1	1
	G7341-4-6	Rear Radiation Shield-RR Gas	1	1	1	1
17	1768399	Shelf Mtg. Brkt Assy LT	1	1	1	1
	1768398	Shelf Mtg. Brkt Assy RT	1	1	1	1
18	1132806	Burner Box Side LT/CRS	1	1	1	
	1132804	Burner Box Side RT/CRS	1	1	1	
	1132805	Burner Box Side RT/SS	1	1	1	
	1132807	Burner Box Side LT/SS	1	1	1	
	2247602	Burner Box Side RT/CRS				1
	2247603	Burner Box Side RT/SS				1
	2247600	Burner Box Side LT/CRS				1
19	2512600	Burner Box Bottom	1	1	1	
	2247000	Burner Box Bottom				1
	2190698	Front Rail Assembly	1	1	1	1
20	2426898	Front Rail Assembly				
	2188700	Orifice Support	3	3	3	3
22	G02486-2.2mm	Orifice Fitting Nat N. American	3	3	3	3
	G02486-53	Orifice Fitting Pro N. American	3	3	3	3
	G02486-2.1mm	Orifice Fitting G20/G25 Nat Europe CE	3	3	3	3
	G02486-54F	Orifice Fitting - G31 Pro Europe CE	3	3	3	3
	G02486-00	Orifice Fitting Special (Specify Gas)	3	3	3	3
	M8-XX	Orifice -Mfg Gas (Spec Gas/Dest)	3	3	3	3

\* NOT ILLUSTRATED

### RECOMMENDED STOCK PARTS

## GARLAND PARTS IDENTIFICATION

Master Series

Heavy Duty Griddle

Models: MST47RE, RCE, SE, TE

ITEM	PART #	DESCRIPTION	QUANTITY			
			MODEL			
			MST47RE	MST47RCE	MST47SE	MST47TE
24	2194100	H Burner Pilot Bracket	3	3	3	3
25	2200700	Pilot Burner RH	3	3	3	3
25A	2200702	Pilot Orifice #32 Natural	3	3	3	3
	2200703	Pilot Orifice #23 Propane	3	3	3	3
	2200709	Pilot Orifice #40 Manufactured Gas	3	3	3	3
	2200704	Compression Nut- 3/16	3	3	3	3
	2200705	Olive Sleeve-3/16	3	3	3	3
	2200706	Nut-Thermocouple Retaining	3	3	3	3
	2200707	Nut-Electrode	3	3	3	3
	2200708	Electrode	3	3	3	3
26	2270200	Pilot Shield	1	1	1	1
27	2200600	Thermocouple-18"	3	3	3	3
27A	2200200	High Tension Wire-48"	2	2	1	2
	2200201	High Tension Wire-36"	1	1	1	1
	2200208	High Tension Wire-60"			1	
	G03883-8	Insulation Sleeve	3	3	3	3
28	2194799	Manifold Assy	1	1	1	1
	2184797	Manifold Assy Rear Gas	1	1	1	1
29	G02251-1	Test Spigot	1	1	1	1
30	2198102	Valve Connector-10mm	3	3	3	3
30A	1086597	Gum Valve-3/16 Pilot	3	3	3	3
31	2200199	Valve-Flame Failure	3	3	3	3
	2200195	Valve/Adapter Assy-FF Mfg. Gas	3	3	3	3
32	2229300	.187 Tube Valve Pilot	3	3	3	3
33	2229700	.250 Tube Valve Orifice	3	3	3	3
34	2224600	Valve Panel	1	1		
	2224601	Valve Panel			1	1
35	2522102	Knob	3	3	3	3
	2522107	Knob (FD Oven F)	1	1		
	2522104	Knob (FD Oven C)	1	1		
36	050069	Sectional Terminal Block				1
	050070	Sectional Terminal End				1
37	2336400	Mounting Bracket				1
38	2336300	Terminal Block Bracket				1
39	2336200	Terminal Block Enclosure				1
40	2247100	Wire Way				1
41	2336000	Insulation Retainer Secondary				1
42	2237300	Spark Modular Support				1
43	2247200	Spark Modular Enclosure				1
44	2144002	120V Spark Generator				1
	2144000	240V Spark Generator				1
45	2200300	Push Button Switch				1
46	2193000	Grease Tray Handle	1	1	1	1

\* NOT ILLUSTRATED

### RECOMMENDED STOCK PARTS

**GARLAND PARTS IDENTIFICATION**

**Master Series**

**Heavy Duty Griddle**

**Models: MST47RE, RCE, SE, TE**

ITEM	PART #	DESCRIPTION	QUANTITY			
			MODEL			
			MST47RE	MST47RCE	MST47SE	MST47TE
47	2193000	Grease Container Assy	1	1	1	
	2335699	Grease Tray Assy				1
48	2247702	Secondary Valve Panel				1
49	2247400	Secondary Burner Box Bottom				1
50	2425600	Grease Tray Guide				1
51	2533200	EMI Filter				1

\* NOT ILLUSTRATED

**RECOMMENDED STOCK PARTS**

## GARLAND PARTS IDENTIFICATION

Master Series

Heavy Duty Griddle

Models: MST47-51R, RC, S, T

ITEM	PART #	DESCRIPTION	QUANTITY			
			MODEL			
			MST47-51R	MST47-51RC	MST47-51S	MST47-51T
1	1790608	LP BG Flue Cap 51"	1	1	1	1
2	1816415	LP BG Back 51" AZ	1	1	1	1
	1815416	LP BG Back 51" SS	1	1	1	1
3	1817308	LP Front Panel 51"	1	1	1	1
4	1768599	LP BG Upright Assy S/W	2	2	2	2
5	2551400	Burner Rest M6/7/8	1	1	1	1
	2552200	Burner Rest M46/M47/48	1	1	1	1
6	2194300	Burner Hanger	4	4	4	4
7	G7338-1-6	Side Radiation Shield	2	2	2	2
8	2194899	Fire Box Body Assy 34"	1	1	1	1
	2517399	Fire Box Body Assy 17"	1	1	1	1
9	G0444-051-9	Rear Splashguard Assy	1	1	1	1
10	1781489	Fry Top Weld Assy 51"	1	1	1	1
	1781473	Grooved Grid Weld Assy	1	1	1	1
11	1014900	Griddle H Burner	4	4	4	4
12	1028002	Air Shutter	4	4	4	4
13	1806101	Burner Box Back	1	1	1	1
	2546400	Burner Box Back	1	1	1	1
	2546405	Burner Box Back	1	1	1	1
	2546401	Burner Box Back RR Gas	1	1	1	1
	2546403	Burner Box Back-17"	1	1	1	1
	1806103	Burner Box Back RR Gas	1	1	1	1
	2546701	Burner Box Back-17"	1	1	1	1
14	2553000	Back Top MST 40	1	1	1	1
	2584800	Back Top - 17"	1	1	1	1
15	2559000	Backguard Spacer	1	1	1	1
16	G7341-1-6	Rear Radiation Shield	1	1	1	1
	G7341-4-6	Rear Radiation Shield RR Gas	1	1	1	1
	2539000	Rear Radiation Shield - 17"	1	1	1	1
17	1768399	Shelf Mtg. Bracket Assy LT	1	1	1	1
	1768398	Shelf Mtg. Bracket Assy RT	1	1	1	1
18	1132806	Burner Box Side LT/CRS	1	1	1	
	1132807	Burner Box Side LT/SS	1	1	1	
	1132804	Burner Box Side RT/CRS	1	1	1	
	1132805	Burner Box Side RT/SS	1	1	1	
	2247602	Burner Box Side LT/CRS				1
	2247603	Burner Box Side LT/SS				1
	2247600	Burner Box Side RT/CRS				1
19	2512600	Burner Box Bottom	1	1	1	
	2515200	Burner Box Bottom-17"	1	1	1	
	2247000	Burner Box Bottom-M40T				1
	2426900	Burner Box Bottom-17"T				1
20	2551399	Front Rail Assy 51"	1	1	1	1
21	2188700	Orifice Support	4	4	4	4

\* NOT ILLUSTRATED

### RECOMMENDED STOCK PARTS



## GARLAND PARTS IDENTIFICATION

### Master Series

### Heavy Duty Griddle

**Models: MST47-51R, RC, S, T**

ITEM	PART #	DESCRIPTION	QUANTITY			
			MODEL			
			MST47-51R	MST47-51RC	MST47-51S	MST47-51T
22	G02486-2.2mm	Orifice Fitting Nat N. American	4	4	4	4
	G02486-53	Orifice Fitting Pro N. American	4	4	4	4
	G02486-2.1mm	Orifice Fitting G20/G25 Nat Europe CE	4	4	4	4
	G02486-54F	Orifice Fitting - G31 Pro Europe CE	4	4	4	4
	G02486-00	Orifice Fitting Special (Specify Gas)	4	4	4	4
	M8-XX	Orifice -Mfg Gas (Spec Gas/Dest)	4	4	4	4
24	2194100	H Burner Pilot Bracket	4	4	4	4
25	2200700	Pilot Burner RH	4	4	4	4
25A	2200702	Pilot Orifice #32 Natural	4	4	4	4
	2200703	Pilot Orifice #23 Propane	4	4	4	4
	2200709	Pilot Orifice #40 Manufactured Gas	4	4	4	4
	2200704	Compression Nut- 3/16	4	4	4	4
	2200705	Olive Sleeve-3/16	4	4	4	4
	2200706	Nut-Thermocouple Retaining	4	4	4	4
26	2270200	Pilot Shield	4	4	4	4
27	2200600	Thermocouple-18"	4	4	4	4
28	2194799	Manifold Assy-M47 Std	1	1	1	1
	2184797	Manifold Assy-47 Rear Gas	1	1	1	1
	2445799	Manifold Assy-M7 Std	1	1	1	1
29	G02251-1	Test Spigot	1	1	1	1
30	2198102	Valve Connector-10mm	4	4	4	4
30A	1086597	Gum Valve-3/16 Pilot	4	4	4	4
31	2200199	Valve-Flame Failure	4	4	4	4
	2200195	Valve/Adapter Assy-FF Mfg. Gas	4	4	4	4
32	2229300	.187 Tube Valve Pilot	4	4	4	4
33	2229700	.250 Tube Valve Orifice	4	4	4	4
34	2224600	Valve Panel-MST47R	1	1		
	2224601	Valve Panel-MST47S			1	1
	2427200	Valve Panel MST7S	1	1	1	1
35	2522102	Knob	4	4	4	4
	2522107	Knob (FD Oven F)	1	1		
	2522104	Knob (FD Oven C)	1	1		
46	2193000	Grease Tray Handle	1	1	1	1
47	2201499	Grease Container Assy	1	1	1	
	2335699	Grease Tray Assy				1
48	2247702	Secondary Valve Panel				1
	2427102	Secondary Valve Panel-17"				1
49	2247400	Secondary Burner Bottom - M40T				1
	2427000	Secondary Burner Bottom - 17"				1
50	2425600	Grease Tray Guide				1

\* NOT ILLUSTRATED

#### **RECOMMENDED STOCK PARTS**

## GARLAND PARTS IDENTIFICATION

Master Series

Heavy Duty Griddle

Models: MST47-51RE, RCE, SE, TE

ITEM	PART #	DESCRIPTION	QUANTITY			
			MODEL			
			MST47-51RE	MST47-51RCE	MST47-51SE	MST47-51TE
1	1790608	LP BG Flue Cap 51"	1	1	1	1
2	1816415	LP BG Back 51" AZ	1	1	1	1
	1815416	LP BG Back 51" SS	1	1	1	1
3	1817308	LP Front Panel 51"	1	1	1	1
4	1768599	LP BG Upright Assy S/W	2	2	2	2
5	2551400	Burner Rest M6/7/8	1	1	1	1
	2552200	Burner Rest M46/M47/48	1	1	1	1
6	2194300	Burner Hanger	4	4	4	4
7	G7338-1-6	Side Radiation Shield	2	2	2	2
8	2194899	Fire Box Body Assy 34"	1	1	1	1
	2517399	Fire Box Body Assy 17"	1	1	1	1
9	G0444-051-9	Rear Splashguard Assy	1	1	1	1
10	1781489	Fry Top Weld Assy 51"	1	1	1	1
	1781473	Grooved Grid Weld Assy	1	1	1	1
11	1014900	Griddle H Burner	4	4	4	4
12	1028002	Air Shutter	4	4	4	4
13	1806101	Burner Box Back	1	1	1	1
	2546400	Burner Box Back	1	1	1	1
	2546405	Burner Box Back	1	1	1	1
	2546401	Burner Box Back RR Gas	1	1	1	1
	2546403	Burner Box Back-17"	1	1	1	1
	1806103	Burner Box Back RR Gas	1	1	1	1
	2546701	Burner Box Back-17"	1	1	1	1
14	2553000	Back Top MST 40	1	1	1	1
	2584800	Back Top - 17"	1	1	1	1
15	2559000	Backguard Spacer	1	1	1	1
16	G7341-1-6	Rear Radiation Shield	1	1	1	1
	G7341-4-6	Rear Radiation Shield RR Gas	1	1	1	1
	2539000	Rear Radiation Shield - 17"	1	1	1	1
17	1768399	Shelf Mtg. Bracket Assy LT	1	1	1	1
	1768398	Shelf Mtg. Bracket Assy RT	1	1	1	1
18	1132806	Burner Box Side LT/CRS	1	1	1	
	1132807	Burner Box Side LT/SS	1	1	1	
	1132804	Burner Box Side RT/CRS	1	1	1	
	1132805	Burner Box Side RT/SS	1	1	1	
	2247602	Burner Box Side LT/CRS				1
	2247603	Burner Box Side LT/SS				1
	2247600	Burner Box Side RT/CRS				1
19	2512600	Burner Box Bottom	1	1	1	
	2515200	Burner Box Bottom-17"	1	1	1	
	2247000	Burner Box Bottom-M40T				1
	2426900	Burner Box Bottom-17"T				1
20	2551399	Front Rail Assy 51"	1	1	1	1
21	2188700	Orifice Support	4	4	4	4

\* NOT ILLUSTRATED

### RECOMMENDED STOCK PARTS

## GARLAND PARTS IDENTIFICATION

Master Series

Heavy Duty Griddle

Models: MST47-51RE, RCE, SE, TE

ITEM	PART #	DESCRIPTION	QUANTITY			
			MODEL			
			MST47-51RE	MST47-51RCE	MST47-51SE	MST47-51TE
22	G02486-2.2mm	Orifice Fitting Nat N. American	4	4	4	4
	G02486-53	Orifice Fitting Pro N. American	4	4	4	4
	G02486-2.1mm	Orifice Fitting G20/G25 Nat Europe CE	4	4	4	4
	G02486-54F	Orifice Fitting - G31 Pro Europe CE	4	4	4	4
	G02486-00	Orifice Fitting Special (Specify Gas)	4	4	4	4
	M8-XX	Orifice -Mfg Gas (Spec Gas/Dest)	4	4	4	4
24	2194100	H Burner Pilot Bracket	4	4	4	4
25	2200700	Pilot Burner RH	4	4	4	4
25A	2200702	Pilot Orifice #32 Natural	4	4	4	4
	2200703	Pilot Orifice #23 Propane	4	4	4	4
	2200709	Pilot Orifice #40 Manufactured Gas	4	4	4	4
	2200704	Compression Nut- 3/16	4	4	4	4
	2200705	Olive Sleeve-3/16	4	4	4	4
	2200706	Nut-Thermocouple Retaining	4	4	4	4
	2200707	Nut-Electrode	4	4	4	4
	2200708	Electrode	4	4	4	4
26	2270200	Pilot Shield	4	4	4	4
27	2200600	Thermocouple-18"	4	4	4	4
27A	2200200	High Tension Wire-48"	1	1	2	3
	2200201	High Tension Wire-36"	2	2	1	1
	2200208	High Tension Wire-60"	1	1	1	
	G02883-8	Insulating Sleeve	4	4	4	4
28	2194799	Manifold Assy-M47 Std	1	1	1	1
	2184797	Manifold Assy-47 Rear Gas	1	1	1	1
	2445799	Manifold Assy-M7 Std	1	1	1	1
29	G02251-1	Test Spigot	1	1	1	1
30	2198102	Valve Connector-10mm	4	4	4	4
30A	1086597	Gum Valve-3/16 Pilot	4	4	4	4
31	2200199	Valve-Flame Failure	4	4	4	4
	2200195	Valve/Adapter Assy-FF Mfg. Gas	4	4	4	4
32	2229300	.187 Tube Valve Pilot	4	4	4	4
33	2229700	.250 Tube Valve Orifice	4	4	4	4
34	2224600	Valve Panel-MST47R	1	1		
	2224601	Valve Panel-MST47S			1	1
	2427200	Vavle Panel MST7S	1	1	1	1
35	2522102	Knob	4	4	4	4
	2522107	Knob (FD Oven F)	1	1		
	2522104	Knob (FD Oven C)	1	1		
36	050069	Sectional Terminal Block				1
	050070	Sectional Terminal End				1
37	2336400	Mounting Bracket				1
38	2336300	Terminal Block Bracket				1
39	2336200	Terminal Block Enclosure				1
40	2247100	Wire Way				1
41	2336000	Insulation Retainer Secondary				1
42	2237300	Spark Modular Support				1
43	2247200	Spark Modular Enclosure				1
44	2144002	120V Spark Generator				1
	2144000	240V Spark Generator				1
45	2200300	Push Button Switch				1

\* NOT ILLUSTRATED

### RECOMMENDED STOCK PARTS

**GARLAND PARTS IDENTIFICATION**

**Master Series**

**Heavy Duty Griddle**

**Models: MST47-51RE, RCE, SE, TE**

ITEM	PART #	DESCRIPTION	QUANTITY			
			MODEL			
			MST47-51RE	MST47-51RCE	MST47-51SE	MST47-51TE
46	2193000	Grease Tray Handle	1	1	1	1
47	2201499	Grease Container Assy	1	1	1	
	2335699	Grease Tray Assy				1
	2515600	Grease Pan				
48	2247702	Secondary Valve Panel				
	2427102	Secondary Valve Panel				1
49	2247400	Secondary Burner Bottom				1
	2427000	Secondary Burner Bottom				
50	2425600	Grease Tray Guide				1
51	2533200	EMI Filter				1

\* NOT ILLUSTRATED

**RECOMMENDED STOCK PARTS**

## GARLAND PARTS IDENTIFICATION

### Master Series

### Heavy Duty Griddle

Models: MST47-68R, RC, S, T

ITEM	PART #	DESCRIPTION	QUANTITY			
			MODEL			
			MST47-68R	MST47-68RC	MST47-68S	MST47-68T
1	1790610	LP BG Flue Cap 68"	1	1	1	1
2	1816419	LP BG Back 68" AZ	1	1	1	1
	1816420	LP BG Back 68" SS	1	1	1	1
3	1817310	LP BG Upright Assy S/W	2	2	2	2
5	2552200	Burner Rest	2	2	2	2
6	2194300	Burner Hanger	4	4	4	4
7	G7338-1-6	Side Radiation Shield	4	4	4	4
8	2194899	Fire Box Body Assy	2	2	2	2
9	G0444-068-9	Rear Splashguard Assy	1	1	1	1
10	1781491	Fry Top Weld Assy 68"	1	1	1	1
	1781499	Grv. Griddle Weld Assy	1	1	1	1
11	1014900	Griddle H Burner	6	6	6	6
12	1028002	Air Shutter	6	6	6	6
13	1806101	Burner Box Back	2	2	2	2
	2546400	Burner Box Back				2
	2546405	Burner Box Back RR Gas				2
	1806103	Burner Box Back RR Gas	2	2	2	2
14	2553000	Back Top MST40	2	2	2	2
	2553002	Back Top MST46/47 RR	1	1	1	1
15	2559000	Backguard Spacer	2	2	2	2
16	G7341-1-6	Rear Radiation Shield	2	2	2	2
	G7341-4-6	Rear Radiation Shield RR Gas	1	1	1	1
17	1768399	Shelf Mtg Bracket Assy RT	2	2	2	2
	1768398	Shelf Mtg Bracket Assy LT	2	2	2	2
18	1132806	Burner Box Side LT/CRS	2	2	2	
	1132807	Burner Box Side LT/SS	2	2	2	
	1132804	Burner Box Side RT/CRS	2	2	2	
	1132805	Burner Box Side RT/SS	2	2	2	
	2247602	Burner Box Side LT/CRS				2
	2247603	Burner Box Side LT/SS				2
	2247600	Burner Box Side RT/CRS				2
2247601	Burner Box Side RT/SS				2	
19	2512600	Burner Box Bottom	2	2	2	2
20	2576398	Front Rail Assy 68"	1	1	1	1
21	2188700	Orifice Support	6	6	6	6
22	G02486-2.2mm	Orifice Fitting Nat N. American	6	6	6	6
	G02486-53	Orifice Fitting Pro N. American	6	6	6	6
	G02486-2.1	Orifice Fitting G20/G25 Nat Europe CE	6	6	6	6
	G02486-54F	Orifice Fitting - G31 Pro Europe CE	6	6	6	6
	G02486-00	Orifice Fitting Special (Specify Gas)	6	6	6	6
	M8-XX	Orifice -Mfg Gas (Spec Gas/Dest)	6	6	6	6
24	2194100	H Burner Pilot Bracket	6	6	6	6
25	2200700	Pilot Burner RH	6	6	6	6
25A	2200702	Pilot Orifice #32 Natural	6	6	6	6
	2200703	Pilot Orifice #23 Propane	6	6	6	6
	2200709	Pilot Orifice #40 Manufactured Gas	6	6	6	6
	2200704	Compression Nut- 3/16	2	2	2	2
	2200705	Olive Sleeve-3/16	6	6	6	6

\* NOT ILLUSTRATED

#### RECOMMENDED STOCK PARTS

## GARLAND PARTS IDENTIFICATION

Master Series

Heavy Duty Griddle

Models: MST47-68R, RC, S, T

ITEM	PART #	DESCRIPTION	QUANTITY			
			MODEL			
			MST47-68R	MST47-68RC	MST47-68S	MST47-68T
28	2194799	Manifold Assy-M47 Std	2	2	2	2
	2184797	Manifold Assy Rear Gas	2	2	2	2
29	G02251-1	Test Spigot	2	2	2	2
30	2198102	Valve Connector-10mm	6	6	6	6
30A	1086597	Gum Valve-3/16 Pilot	6	6	6	6
31	2200199	Valve-Flame Failure	6	6	6	6
	2200195	Valve/Adapter Assy-FF Mfg. Gas	6	6	6	6
32	2229300	.187 Tube Valve Pilot	6	6	6	6
33	2229700	.250 Tube Valve Orifice	6	6	6	6
34	1825501	Valve Panel-M47R	2	2		
	1825401	Valve Panel-M47S/T			2	2
	2427200	Valve Panel MST7S				
35	2522102	Knob	6	6	6	6
	2522107	Knob (FD Oven F)	2	2		
	2522111	Knob (FD Oven C)	2	2		
46	2193000	Grease Tray Handle	2	2	2	2
47	22001400	Grease Container Assy	2	2	2	
	2335699	Grease Tray Assy				2
48	2247702	Secondary Valve Panel				2
49	2247400	Secondary Burner Box Bottom				2
50	2425600	Grease Tray Guide				2

\* NOT ILLUSTRATED

**RECOMMENDED STOCK PARTS**

## GARLAND PARTS IDENTIFICATION

### Master Series

### Heavy Duty Griddle

**Models: MST47-68RE, RCE, SE, TE**

ITEM	PART #	DESCRIPTION	QUANTITY			
			MODEL			
			MST47-68RE	MST47-68RCE	MST47-68SE	MST47-68TE
1	1790610	LP BG Flue Cap 68"	1	1	1	1
2	1816419	LP BG Back 68" AZ	1	1	1	1
	1816420	LP BG Back 68" SS	1	1	1	1
3	1817310	LP BG Upright Assy S/W	2	2	2	2
5	2552200	Burner Rest	2	2	2	2
6	2194300	Burner Hanger	4	4	4	4
7	G7338-1-6	Side Radiation Shield	4	4	4	4
8	2194899	Fire Box Body Assy	2	2	2	2
9	G0444-068-9	Rear Splashguard Assy	1	1	1	1
10	1781491	Fry Top Weld Assy 68"	1	1	1	1
	1781499	Grv. Griddle Weld Assy	1	1	1	1
11	1014900	Griddle H Burner	6	6	6	6
12	1028002	Air Shutter	6	6	6	6
13	1806101	Burner Box Back	2	2	2	2
	2546400	Burner Box Back				2
	2546405	Burner Box Back RR Gas				2
	1806103	Burner Box Back RR Gas	2	2	2	2
14	2553000	Back Top MST40	2	2	2	2
	2553002	Back Top MST46/47 RR	1	1	1	1
15	2559000	Backguard Spacer	2	2	2	2
16	G7341-1-6	Rear Radiation Shield	2	2	2	2
	G7341-4-6	Rear Radiation Shield RR Gas	1	1	1	1
17	1768399	Shelf Mtg Bracket Assy RT	2	2	2	2
	1768398	Shelf Mtg Bracket Assy LT	2	2	2	2
18	1132806	Burner Box Side LT/CRS	2	2	2	
	1132807	Burner Box Side LT/SS	2	2	2	
	1132804	Burner Box Side RT/CRS	2	2	2	
	1132805	Burner Box Side RT/SS	2	2	2	
	2247602	Burner Box Side LT/CRS				2
	2247603	Burner Box Side LT/SS				2
	2247600	Burner Box Side RT/CRS				2
2247601	Burner Box Side RT/SS				2	
19	2512600	Burner Box Bottom	2	2	2	2
20	2576398	Front Rail Assy 68"	1	1	1	1
21	2188700	Orifice Support	6	6	6	6
22	G02486-2.2mm	Orifice Fitting Nat N. American	6	6	6	6
	G02486-53	Orifice Fitting Pro N. American	6	6	6	6
	G02486-2.1mm	Orifice Fitting G20/G25 Nat Europe CE	6	6	6	6
	G02486-54F	Orifice Fitting - G31 Pro Europe CE	6	6	6	6
	G02486-00	Orifice Fitting Special (Specify Gas)	6	6	6	6
	M8-XX	Orifice -Mfg Gas (Spec Gas/Dest)	6	6	6	6
24	2194100	H Burner Pilot Bracket	6	6	6	6
25	2200700	Pilot Burner RH	6	6	6	6
25A	2200702	Pilot Orifice #32 Natural	6	6	6	6
	2200703	Pilot Orifice #23 Propane	6	6	6	6
	2200709	Pilot Orifice #40 Manufactured Gas	6	6	6	6
	2200704	Compression Nut- 3/16	2	2	2	2
	2200705	Olive Sleeve-3/16	6	6	6	6

\* NOT ILLUSTRATED

#### **RECOMMENDED STOCK PARTS**

## GARLAND PARTS IDENTIFICATION

Master Series

Heavy Duty Griddle

Models: MST47-68RE, RCE, SE, TE

ITEM	PART #	DESCRIPTION	QUANTITY			
			MODEL			
			MST47-68RE	MST47-68RCE	MST47-68SE	MST47-68TE
25A Cont	2200706	Nut-Thermocouple Retaining	6	6	6	6
	2200707	Nut-Electrode	6	6	6	6
	2200708	Electrode	6	6	6	6
26	2270200	Pilot Shield	2	2	2	2
27	2200600	Thermocouple-18"	6	6	6	6
28	2194799	Manifold Assy-M47 Std	2	2	2	2
	2184797	Manifold Assy Rear Gas	2	2	2	2
29	G02251-1	Test Spigot	2	2	2	2
30	2198102	Valve Connector-10mm	6	6	6	6
30A	1086597	Gum Valve-3/16 Pilot	6	6	6	6
31	2200199	Valve-Flame Failure	6	6	6	6
	2200195	Valve/Adapter Assy-FF Mfg. Gas	6	6	6	6
32	2229300	.187 Tube Valve Pilot	6	6	6	6
33	2229700	.250 Tube Valve Orifice	6	6	6	6
34	1825501	Valve Panel-M47R	2	2		
	1825401	Valve Panel-M47S/T			2	2
	2427200	Valve Panel MST7S				
35	2522102	Knob	6	6	6	6
	2522107	Knob (FD Oven F)	2	2		
	2522111	Knob (FD Oven C)	2	2		
36	050069	Sectional Terminal Block				2
	050070	Sectional Terminal End				2
37	2336400	Mounting Bracket				2
38	2336300	Terminal Block Bracket				2
39	2336200	Terminal Block Enclosure				2
40	2247100	Wire Way				2
41	2336000	Insulation Retainer Secondary				2
42	2237300	Spark Modular Support	2	2	2	2
43	2247200	Spark Modular Enclosure	2	2	2	
44	2144002	120V Spark Generator				2
	2144000	240V Spark Generator				2
45	2200300	Push Button Switch				2
46	2193000	Grease Tray Handle				2
47	22001400	Grease Container Assy				2
	2335699	Grease Tray Assy				2
48	2247702	Secondary Valve Panel				2
49	2247400	Secondary Burner Box Bottom				2
50	2425600	Grease Tray Guide				2
51	2533200	EMI Filter				2

\* NOT ILLUSTRATED

**RECOMMENDED STOCK PARTS**



## GARLAND PARTS IDENTIFICATION

### Master Series

### Heavy Duty Griddle

### Models: MST7S, T

ITEM	PART #	DESCRIPTION	QUANTITY	
			MODEL	
			MST7S	MST7T
1	1790602	LB BG Flue Cap 17"	1	1
2	1816401	LP BG Back 17" AZ	1	1
	1816402	LP BG Back 17" SS	1	1
3	1817301	LP Front Panel 17"	1	1
4	1768599	LP BG Upright Assy S/W	2	2
5	2551400	Burner Rest	1	1
6	2194300	Burner Hanger	2	2
7	G7338-1-6	Side Radiation Shield	2	2
8	2517399	Fire Box Assy		
9	G0444-017-9	Rear Splashguard Assy	1	1
10	1781485	Frytop Weld Assy 17"		
	1781469	Grooved Griddle Weld Assy 17"	1	1
11	1014900	Griddle H Burner		
12	1028002	Air Shutter		
13	2546701	Burner Box Back 17"	1	
	2546704	Burner Box Back M7 RR Gas	1	
	2546401	Burner Box Back		1
	2546409	Burner Box Back RR Gas		1
14	2584800	Back Top	1	1
16	2539000	Rear Radiation Shield 17"	1	1
17	1768399	Shelf Mtg. Brkt, Assy LT	1	1
	1768398	Shelf Mtg. Brkt, Assy RT	1	1
18	1132806	Burner Box Side LT/CRS	1	
	1132804	Burner Box Side RT/CRS	1	
	1132805	Burner Box Side RT/SS	1	
	1132807	Burner Box Side LT/SS	1	
	2247602	Burner Box Side LT/CRS		1
	2247603	Burner Box Side RT/CRS		1
	2247600	Burner Box Side RT/SS		1
19	2426900	Burner Box Bottom		1
	2515200	Burner Box Bottom	1	
20	2426899	Front Rail Assembly	1	1
21	2188700	Orifice Support	1	1
22	G02486-2.2mm	Orifice Fitting Nat N. American	1	
	G02486-53	Orifice Fitting Pro N. American	1	1
	G02486-2.1mm	Orifice Fitting G20/G25 Nat Europe CE	1	1
	G02486-54F	Orifice Fitting - G31 Pro Europe CE	1	1
	G02486-00	Orifice Fitting Special (Specify Gas)	1	1
	M8-XX	Orifice -Mfg Gas (Spec Gas/Dest)	1	1
24	2194100	H Burner Pilot Bracket	1	1
25	2200700	Pilot Burner RH	1	1
25A	2200702	Pilot Orifice #32 Natural	1	1
	2200703	Pilot Orifice #23 Propane	1	1
	2200709	Pilot Orifice #40 Manufactured Gas	1	1
	2200704	Compression Nut- 3/16	1	1
	2200705	Olive Sleeve-3/16	1	1
	2200706	Nut-Thermocouple Retaining	1	1

\* NOT ILLUSTRATED

#### **RECOMMENDED STOCK PARTS**

## GARLAND PARTS IDENTIFICATION

Master Series

Heavy Duty Griddle

Models: MST7S, T

ITEM	PART #	DESCRIPTION	QUANTITY	
			MODEL	
			MST7S	MST7T
26	2270200	Pilot Shield	1	1
27	2200600	Thermocouple-18"	1	1
28	2445799	Manifold Assy	1	1
	2184798	Manifold Assy Rear Gas	1	1
29	G02251-1	Test Spigot	1	1
30	2198102	Valve Connector-10mm	1	1
30A	1086597	Gum Valve-3/16 Pilot	1	1
31	2200199	Valve-Flame Failure	1	1
	2200195	Valve/Adapter Assy-FF Mfg. Gas	1	1
32	2229300	.187 Tube Valve Pilot	1	1
33	2229700	.250 Tube Valve Orifice	1	1
34	2427200	Valve Panel	1	1
35	2522102	Knob	1	1
46	2193000	Grease Tray Handle		1
47	2335699	Grease Tray Assy		1
	2515600	Grease Pan	1	
48	2427102	Secondary Valve Panel		1
49	2427000	Secondary Burner Box Bottom		1
50	2425600	Grease Tray Guide		1

\* NOT ILLUSTRATED

**RECOMMENDED STOCK PARTS**

## GARLAND PARTS IDENTIFICATION

Master Series

Heavy Duty Griddle

Models: MST7SE, TE

ITEM	PART #	DESCRIPTION	QUANTITY	
			MODEL	
			MST7SE	MST7TE
1	1790602	LB BG Flue Cap 17"	1	1
2	1816401	LP BG Back 17" AZ	1	1
	1816402	LP BG Back 17" SS	1	1
3	1817301	LP Front Panel 17"	1	1
4	1768599	LP BG Upright Assy S/W	2	2
5	2551400	Burner Rest	1	1
6	2194300	Burner Hanger	2	2
7	G7338-1-6	Side Radiation Shield	2	2
8	2517399	Fire Box Assy	1	1
9	G0444-017-9	Rear Splashguard Assy	1	1
10	1781485	Frytop Weld Assy 17"	1	1
	1781469	Grooved Griddle Weld Assy 17"	1	1
11	1014900	Griddle H Burner	1	1
12	1028002	Air Shutter	1	1
13	2546701	Burner Box Back 17"	1	
	2546704	Burner Box Back M7 RR Gas	1	
	2546401	Burner Box Back		1
	2546409	Burner Box Back RR Gas		1
14	2584800	Back Top	1	1
16	2539000	Rear Radiation Shield 17"	1	1
17	1768399	Shelf Mtg. Brkt, Assy LT	1	1
	1768398	Shelf Mtg. Brkt, Assy RT	1	1
18	1132806	Burner Box Side LT/CRS	1	
	1132804	Burner Box Side RT/CRS	1	
	1132805	Burner Box Side RT/SS	1	
	1132807	Burner Box Side LT/SS	1	
	2247602	Burner Box Side LT/CRS		1
	2247603	Burner Box Side RT/CRS		1
	2247600	Burner Box Side RT/SS		1
19	2426900	Burner Box Bottom		1
	2515200	Burner Box Bottom	1	
20	2190698	Front Rail Assembly		
	2426898	Front Rail Assembly		1
	2426899	Front Rail Assembly	1	
21	2188700	Orifice Support	1	1
22	G02486-2.2mm	Orifice Fitting Nat N. American	1	
	G02486-53	Orifice Fitting Pro N. American	1	1
	G02486-2.1mm	Orifice Fitting G20/G25 Nat Europe CE	1	1
	G02486-54F	Orifice Fitting - G31 Pro Europe CE	1	1
	G02486-00	Orifice Fitting Special (Specify Gas)	1	1
	M8-XX	Orifice -Mfg Gas (Spec Gas/Dest)	1	1
24	2194100	H Burner Pilot Bracket	1	1
25	2200700	Pilot Burner RH	1	1

\* NOT ILLUSTRATED

### **RECOMMENDED STOCK PARTS**

## GARLAND PARTS IDENTIFICATION

Master Series

Heavy Duty Griddle

Models: MST7SE, TE

ITEM	PART #	DESCRIPTION	QUANTITY	
			MODEL	
			MST7SE	MST7TE
25A	2200702	Pilot Orifice #32 Natural	1	1
	2200703	Pilot Orifice #23 Propane	1	1
	2200709	Pilot Orifice #40 Manufactured Gas	1	1
	2200704	Compression Nut- 3/16	1	1
	2200705	Olive Sleeve-3/16	1	1
	2200706	Nut-Thermocouple Retaining	1	1
	2200707	Nut-Electrode	1	1
	2200708	Electrode	1	1
27	2200600	Thermocouple-18"	1	1
27A	2200201	High Tension Wire-36"	1	1
	G03883-8	Insulation Sleeve	1	1
28	2445799	Manifold Assy	1	1
	2184798	Manifold Assy Rear Gas	1	1
29	G02251-1	Test Spigot	1	1
30	2198102	Valve Connector-10mm	1	1
30A	1086597	Gum Valve-3/16 Pilot	1	1
31	2200199	Valve-Flame Failure	1	1
	2200195	Valve/Adapter Assy-FF Mfg. Gas	1	1
32	2229300	.187 Tube Valve Pilot	1	1
33	2229700	.250 Tube Valve Orifice	1	1
34	2427200	Valve Panel	1	1
35	2522102	Knob	1	1
36	050069	Sectional Terminal Block		1
	050070	Sectional Terminal End		1
37	2336400	Mounting Bracket		1
38	2336300	Terminal Block Bracket		1
39	2336200	Terminal Block Enclosure		1
40	2247100	Wire Way		1
41	2336000	Insulation Retainer Secondary		1
42	2237300	Spark Modular Support		1
43	2247200	Spark Modular Enclosure		1
44	2144002	120V Spark Generator		1
	2144000	240V Spark Generator		1
45	2200300	Push Button Switch		1
46	2193000	Grease Tray Handle		1
47	2335699	Grease Tray Assy		1
	2515600	Grease Pan	1	
48	2427102	Secondary Valve Panel		1
49	2427000	Secondary Burner Box Bottom		1
50	2425600	Grease Tray Guide		1
51	2533200	EMI Filter		1

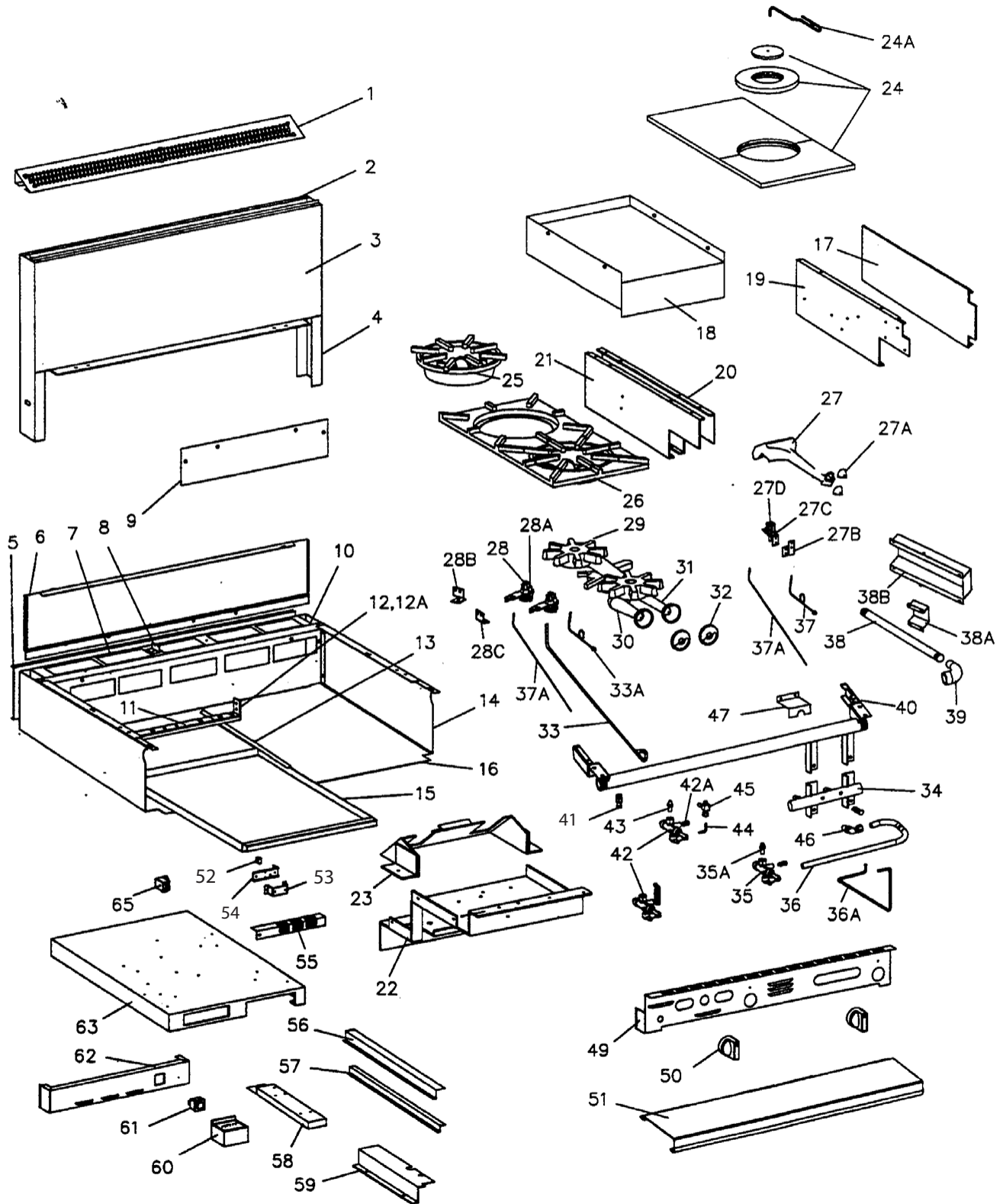
\* NOT ILLUSTRATED

### **RECOMMENDED STOCK PARTS**

## **NOTES**



MASTER SERIES  
HEAVY DUTY RANGE FRONT-FIRED  
HOT TOP & OPEN TOP SECTION  
MODELS: ST54R,RC,S,T,RE,RCE,SE,TE



## GARLAND PARTS IDENTIFICATION

### Master Series

### Heavy Duty Range Front-Fired Hot Top & Open Top Section

Models: MST54R, RC, S, T

ITEM	PART #	DESCRIPTION	QUANTITY			
			MODEL			
			MST54R	MST54RC	MST54S	MST54T
1	1790602	LP BG Flue Cap 34"	1	1	1	1
2	1816407	LP BG Back Guard 34" AZ	1	1	1	1
	1816408	LP BG Back Guard 34" SS	1	1	1	1
3	1817304	LP Front Panel 34"	1	1	1	1
4	1768599	LP BG Upright Assy S/W	2	2	2	2
5	G7341-1-6	Rear Radiation Shield	1	1	1	1
6	1806101	Burner Box Back	1	1	1	
	2546400	Burner Box Back				1
	1806104	Burner Box Back - RR Gas	1	1	1	
	2546410	Burner Box Back - RR Gas				1
7	2553000	Back Top MST 40	1	1	1	1
8	2559000	Backguard Spacer	1	1	1	1
9	2570900	Back Top Baffle	1	1	1	1
10	1768399	Shelf MTG. Brkt. Assy LT	1	1	1	1
	1768398	Shelf MTG. Brkt. Assy RT	1	1	1	1
11	2340300	Burner Rest	1	1	1	1
12	2431300	Burner Hanger-Side	1	1	1	1
	2537400	Burner Hanger-Centre	1	1	1	1
13	2505400	Drip Tray Guide RH	1	1	1	1
	2505401	Drip Tray Guide LH	1	1	1	1
14	1132804	Burner Box Side RH/CRS	1	1	1	
	1132805	Burner Box Side RH/SS	1	1	1	
	1132806	Burner Box Side LH/CRS	1	1	1	
	1132807	Burner Box Side LH/SS	1	1	1	
	2247600	Burner Box Side RH/CRS				1
	2247601	Burner Box Side RH/SS				1
	2247602	Burner Box Side LH/CRS				1
2247603	Burner Box Side LH/SS				1	
15	2342803	Drip Pan	1	1	1	1
16	2512601	Burner Box Bottom	1	1	1	
	2247001	Burner Box Bottom				1
17	G7338-1-6	Side Radiation Shield	1	1	1	1
18	2340699	Radiation Pan Assy	1	1	1	1
19	G0453-1-61	Side Radiation Shield-Hot Top Right	1	1	1	1
	G0453-1-62	Side Radiation Shield-Hot Top Left	1	1	1	1
20	2341000	Radiation Shield Support-Hot Top LT	1	1	1	1
	2341001	Radiation Shield Support-Hot Top RT	1	1	1	1
21	2341100	Side Rad. Shield Support-Hot Top LT	1	1	1	1
	2341101	Side Rad. Shield Support-Hot Top RT	1	1	1	1
22	2341200	Top Burner Housing-Hot Top LT	1	1	1	1
	2341201	Top Burner Housing-Hot Top RT	1	1	1	1
23	2554299	Burner Air Shield Assembly - Hot Top Right	1	1	1	1
	2340498	Burner Air Shield Assembly - Hot Top Left	1	1	1	1
24	G6117-01	Key Plate Assembly	1	1	1	1
24A	G6308-1-8	Lid Lifter	1	1	1	1

\* NOT ILLUSTRATED

#### **RECOMMENDED STOCK PARTS**

## GARLAND PARTS IDENTIFICATION

### Master Series

### Heavy Duty Range Front-Fired Hot Top & Open Top Section

#### Models: MST54R, RC, S, T

ITEM	PART #	DESCRIPTION	QUANTITY			
			MODEL			
			MST54R	MST54RC	MST54S	MST54T
25	1769101	Ring Grate-Bowl 35K	2	2	2	2
26	1769001	Top Grate 35K Burner	1	1	1	1
27	G3575-32	Top Burner- Natural Gas	3	3	3	3
	G2575-36	Top Burner- Propane	3	3	3	3
	G3575-40	Top Burner- Manufactured Gas	3	3	3	3
27A	G4155	Air Shutter	6	6	6	6
27B	2190700	Pilot Mounting Bracket	1	1	1	1
27C	2200701	Pilot Burner LH	1	1	1	1
27D	2200702	Pilot Orifice #32 Nat.	1	1	1	1
	2200703	Pilot Orifice #23 Pro	1	1	1	1
	2200709	Pilot Orifice #40 Mfg	1	1	1	1
	2200704	Compression Nut-3/16	1	1	1	1
	2200705	Olive Sleeve 3/16"	1	1	1	1
	2200706	Nut-Thermocouple Retaining	1	1	1	1
28	2520800	Pilot Burner	2	2	2	2
28A	2520804	Sleeve 3/16" Compression	2	2	2	2
	2200704	Compression Nut 3/16"	2	2	2	2
	2200706	Nut-Thermocouple Retaining	2	2	2	2
	2520801	Pilot Orifice- Nat. 51	2	2	2	2
	2520802	Pilot Orifice- Pro 30	2	2	2	2
	2520803	Pilot Orifice-Mfg Gas	2	2	2	2
28B	2550200	Pilot Bracket-35K Rear	1	1	1	1
28C	2550201	Pilot Bracket-35K Front	1	1	1	1
29	2528200	Burner Head	2	2	2	2
30	2528000	Front Burner Housing	1	1	1	1
31	2528100	Rear Burner Housing	1	1	1	1
32	2519200	Air Shutter	2	2	2	2
	G4202-2	Air Shutter- Manufactured Gas	2	2	2	2
33	2341400	Pilot Tube-Front	1	1	1	1
	2341500	Pilot Tube-Rear	1	1	1	1
33A	2200600	Thermocouple-18" Front	1	1	1	1
	2200602	Thermocouple-24" Rear	1	1	1	1
34	2190499	Secondary Manifold Pipe Assembly	1	1	1	1
35	2187099	Flame Failure Valve-Hot Top	1	1	1	1
35A	2198100	Valve Connector Fitting-12mm	1	1	1	1
36	2230100	Tube-Valve To Secondary Manifold	1	1	1	1
36A	2229000	Pilot Tube-Hot Top Left	1	1	1	1
	2229100	Pilot Tube-Hot Top Right	1	1	1	1
37	2200600	Thermocouple-18"	1	1	1	1
38	076029-182	Pipe Nipple RR Gas 3/4" x 33" Lg	1	1	1	1
38A	1823301	Tail Pipe Support-Rear Gas	1	1	1	1
38B	1823302	Side Gas Cover-Rear Gas	1	1	1	1
39A*	060295-6	Reducer Bushing 1-1/4" x 3/4" RR Gas	1	1	1	1
40	2340299	Manifold Assy Std. - Hot Top Right	1	1	1	1
	2340199	Manifold Assy Std. - Hot Top Left	1	1	1	1

\* NOT ILLUSTRATED

#### **RECOMMENDED STOCK PARTS**



## GARLAND PARTS IDENTIFICATION

### Master Series

### Heavy Duty Range Front-Fired Hot Top & Open Top Section

**Models: MST54R, RC, S, T**

ITEM	PART #	DESCRIPTION	QUANTITY			
			MODEL			
			MST54R	MST54RC	MST54S	MST54T
41	G02251-1	Test Spigot	1	1	1	1
42	2200199	Valve-Flame Failure Open Burner	2	2	2	2
	2591599	Valve/Adapter Assy-Open Brnr. Mfg. Gas	2	2	2	2
42A	1086597	Gum Valve-3/16"	2	2	2	2
43	2198102	Valve Connector Fitting-10mm	2	2	2	2
	2198100	Valve Connector Fitting-12mm Mfg. /gas	2	2	2	2
44	2519600	Tube-1/4" Valve To Orifice	2	2	2	2
45	G7266-37F	Orifice Holder-Nat (N. America)	2	2	2	2
	G7266-1.8mm	Orifice Holder-Pro (N. America)	2	2	2	2
	G7266-44F	Orifice Holder-Nat G20/25 (Europe-CE)	2	2	2	2
	G7266-54F	Orifice Holder-Pro G31 (Europe-CE)	2	2	2	2
	G7266-XX	Orifice Holder-Nat Less Hood (Special)	2	2	2	2
	M9-XX	Orifice Manufactured Gas(Special)	2	2	2	2
46	2104553	Orifice Fitting #53-Nat (N. America)	3	3	3	3
	2104563	Orifice Fitting #63-Pro (N. America)	3	3	3	3
	2104554	Orifice Fitting #54-Nat G20/25 (Europe-CE)	3	3	3	3
	2104563	Orifice Fitting #63-Pro G31 (Europe-CE)	3	3	3	3
	21045XX	Orifice Fitting -Special (Specify Gas/Dest)	3	3	3	3
	2104558	Orifice Fitting #53-Nat (N. America)	3	3	3	3
47	2341600	Thermostat Heat Shield	1	1		
49	2341700	Valve Panel-Hot Top Left	1	1		
	2341800	Valve Panel-Hot Top Right	1	1		
	2341701	Valve Panel-Hot Top Left			1	1
	2341801	Valve Panel-Hot Top Right			1	1
50	2522102	Knob-Open Burners	2	2	2	2
	2522106	Knob-Open Burners (Mfg Gas)	2	2	2	2
	2522106	Knob-Hot Top	1	1	1	1
	2522107	Knob (FD Oven F)	1	1		
	2522103	Knob (FD Oven C)	1	1		
51	2190699	Front Rail Assy	1	1	1	1
62	2247703	Secondary Valve Panel				1
63	2247401	Secondary Burner Box Bottom				1

\* NOT ILLUSTRATED

#### **RECOMMENDED STOCK PARTS**

## GARLAND PARTS IDENTIFICATION

### Master Series

### Heavy Duty Range Front-Fired Hot Top & Open Top Section

#### Models: MST54RE, RCE, SE, TE

ITEM	PART #	DESCRIPTION	QUANTITY			
			MODEL			
			MST54RE	MST54RCE	MST54SE	MST54TE
1	1790602	LP BG Flue Cap 34"	1	1	1	1
2	1816407	LP BG Back Guard 34" AZ	1	1	1	1
	1816408	LP BG Back Guard 34" SS	1	1	1	1
3	1817304	LP Front Panel 34"	1	1	1	1
4	1768599	LP BG Upright Assy S/W	2	2	2	2
5	G7341-1-6	Rear Radiation Shield	1	1	1	1
6	1806101	Burner Box Back	1	1	1	
	2546400	Burner Box Back				1
	1806104	Burner Box Back - RR Gas	1	1	1	
	2546410	Burner Box Back - RR Gas				1
7	2553000	Back Top MST 40	1	1	1	1
8	2559000	Backguard Spacer	1	1	1	1
9	2570900	Back Top Baffle	1	1	1	1
10	1768399	Shelf MTG. Brkt. Assy LT	1	1	1	1
	1768398	Shelf MTG. Brkt. Assy RT	1	1	1	1
11	2340300	Burner Rest	1	1	1	1
12	2431300	Burner Hanger-Side	1	1	1	1
	2537400	Burner Hanger-Centre	1	1	1	1
13	2505400	Drip Tray Guide RH	1	1	1	1
	2505401	Drip Tray Guide LH	1	1	1	1
14	1132804	Burner Box Side RH/CRS	1	1	1	
	1132805	Burner Box Side RH/SS	1	1	1	
	1132806	Burner Box Side LH/CRS	1	1	1	
	1132807	Burner Box Side LH/SS	1	1	1	
	2247600	Burner Box Side RH/CRS				1
	2247601	Burner Box Side RH/SS				1
	2247602	Burner Box Side LH/CRS				1
	2247603	Burner Box Side LH/SS				1
15	2342803	Drip Pan	1	1	1	1
16	2512601	Burner Box Bottom	1	1	1	
	2247001	Burner Box Bottom				1
17	G7338-1-6	Side Radiation Shield	1	1	1	1
18	2340699	Radiation Pan Assy	1	1	1	1
19	G0453-1-61	Side Radiation Shield-Hot Top Right	1	1	1	1
	G0453-1-62	Side Radiation Shield-Hot Top Left	1	1	1	1
20	2341000	Radiation Shield Support-Hot Top LT	1	1	1	1
	2341001	Radiation Shield Support-Hot Top RT	1	1	1	1
21	2341100	Side Rad. Shield Support-Hot Top LT	1	1	1	1
	2341101	Side Rad. Shield Support-Hot Top RT	1	1	1	1
22	2341200	Top Burner Housing-Hot Top LT	1	1	1	1
	2341201	Top Burner Housing-Hot Top RT	1	1	1	1
23	2554299	Burner Air Shield Assembly	1	1	1	1
24	G6117-01	Key Plate Assembly	1	1	1	1
24A	G6308-1-8	Lid Lifter	1	1	1	1

\* NOT ILLUSTRATED

#### **RECOMMENDED STOCK PARTS**

## GARLAND PARTS IDENTIFICATION

### Master Series

### Heavy Duty Range Front-Fired Hot Top & Open Top Section

**Models: MST54RE, RCE, SE, TE**

ITEM	PART #	DESCRIPTION	QUANTITY			
			MODEL			
			MST54RE	MST54RCE	MST54SE	MST54TE
25	1769101	Ring Grate/Bowl 35K	2	2	2	2
26	1769001	Top Grate 35K Burner	1	1	1	1
27	G3575-32	Top Burner- Natural Gas	3	3	3	3
	G2575-36	Top Burner- Propane	3	3	3	3
	G3575-40	Top Burner- Manufactured Gas	3	3	3	3
27A	G4155	Air Shutter	6	6	6	6
27B	2190700	Pilot Mounting Bracket	1	1	1	1
27C	2200701	Pilot Burner LH	1	1	1	1
27D	2200702	Pilot Orifice #32 Nat.	1	1	1	1
	2200703	Pilot Orifice #23 Pro	1	1	1	1
	2200709	Pilot Orifice #40 Mfg	1	1	1	1
	2200704	Compression Nut-3/16	1	1	1	1
	2200705	Olive Sleeve 3/16"	1	1	1	1
	2200706	Nut-Thermocouple Retaining	1	1	1	1
	2200707	Nut-Electrode	1	1	1	1
28	2520800	Pilot Burner	2	2	2	2
28A	2520804	Sleeve 3/16" Compression	2	2	2	2
	2200704	Compression Nut-3/16"	2	2	2	2
	2200706	Nut-Thermocouple Retaining	2	2	2	2
	2200707	Nut-Electrode	2	2	2	2
	2200708	Electrode	2	2	2	2
	2520801	Pilot Orifice- Nat. 51	2	2	2	2
	2520802	Pilot Orifice- Pro 30	2	2	2	2
2520803	Pilot Orifice-Mfg Gas	2	2	2	2	
28B	2550200	Pilot Bracket-35K Rear	1	1	1	1
28C	2550201	Pilot Bracket-35K Front	1	1	1	1
29	2528200	Burner Head	2	2	2	2
30	2528000	Front Burner Housing	1	1	1	1
31	2528100	Rear Burner Housing	1	1	1	1
32	2519200	Air Shutter	2	2	2	2
	G4202-2	Air Shutter- Manufactured Gas	2	2	2	2
33	2341400	Pilot Tube-Front	1	1	1	1
	2341500	Pilot Tube-Rear	1	1	1	1
33A	2200600	Thermocouple-18" Front	1	1	1	1
	2200602	Thermocouple-24" Rear	1	1	1	1
34	2190499	Secondary Manifold Pipe Assembly	1	1	1	1
35	2187099	Flame Failure Valve-Hot Top	1	1	1	1
35A	2198100	Valve Connector Fitting-12mm	1	1	1	1
36	2230100	Tube-Valve To Secondary Manifold	1	1	1	1
36A	2229000	Pilot Tube-Hot Top Left	1	1	1	1
	2229100	Pilot Tube-Hot Top Right	1	1	1	1
37	2200600	Thermocouple-18"	1	1	1	1

\* NOT ILLUSTRATED

#### **RECOMMENDED STOCK PARTS**

## GARLAND PARTS IDENTIFICATION

### Master Series

### Heavy Duty Range Front-Fired Hot Top & Open Top Section

#### Models: MST54RE, RCE, SE, TE

ITEM	PART #	DESCRIPTION	QUANTITY			
			MODEL			
			MST54RE	MST54RCE	MST54SE	MST54TE
37A	2200200	High Tension Wire-48"	1	1	1	1
	2200201	High Tension Wire-36"	2	2		2
	2200208	High Tension Wire-60"			2	
38	076029-182	Pipe Nipple RR Gas 3/4" x 33" Lg	1	1	1	1
38A	1823301	Tail Pipe Support-Rear Gas	1	1	1	1
38B	1823302	Side Gas Cover-Rear Gas	1	1	1	1
39A*	060295-6	Reducer Bushing 1-1/4" x 3/4" RR Gas	1	1	1	1
40	2340299	Manifold Assy Std. - Hot Top Right	1	1	1	1
	2340199	Manifold Assy Std. - Hot Top Left	1	1	1	1
41	G02251-1	Test Spigot	1	1	1	1
42	2200199	Valve-Flame Failure Open Burner	2	2	2	2
	2591599	Valve/Adapter Assy-Open Brnr. Mfg. Gas	2	2	2	2
42A	1086597	Gum Valve-3/16"	2	2	2	2
43	2198102	Valve Connector Fitting-10mm	2	2	2	2
	2198100	Valve Connector Fitting-12mm Mfg. /gas	2	2	2	2
44	2519600	Tube-1/4" Valve To Orifice	2	2	2	2
45	G7266-37F	Orifice Holder-Nat (N. America)	2	2	2	2
	G7266-1.8mm	Orifice Holder-Pro (N. America)	2	2	2	2
	G7266-44F	Orifice Holder-Nat G20/25 (Europe-CE)	2	2	2	2
	G7266-54F	Orifice Holder-Pro G31 (Europe-CE)	2	2	2	2
	G7266-XX	Orifice Holder-Nat Less Hood (Special)	2	2	2	2
	M9-XX	Orifice Manufactured Gas(Special)	2	2	2	2
46	2104553	Orifice Fitting #53-Nat (N. America)	3	3	3	3
	2104563	Orifice Fitting #63-Pro (N. America)	3	3	3	3
	2104554	Orifice Fitting #54-Nat G20/25 (Europe-CE)	3	3	3	3
	2104563	Orifice Fitting #63-Pro G31 (Europe-CE)	3	3	3	3
	21045XX	Orifice Fitting -Special (Specify Gas/Dest)	3	3	3	3
	2104558	Orifice Fitting #53-Nat (N. America)	3	3	3	3
47	2341600	Thermostat Heat Shield	1	1		
49	2341700	Valve Panel-Hot Top Left	1	1		
	2341800	Valve Panel-Hot Top Right	1	1		
	2341701	Valve Panel-Hot Top Left			1	1
	2341801	Valve Panel-Hot Top Right			1	1
50	2522102	Knob-Open Burners	2	2	2	2
	2522106	Knob-Open Burners (Mfg Gas)	2	2	2	2
	2522106	Knob-Hot Top	1	1	1	1
	2522107	Knob (FD Oven F)	1	1		
	2522103	Knob (FD Oven C)	1	1		
51	2190699	Front Rail Assy	1	1	1	1
52	050069	Sectional Terminal Block				1
	050070	Sectional Terminal End				1
53	2336400	Mounting Bracket				1
54	2336300	Terminal Block Bracket				1

\* NOT ILLUSTRATED

#### **RECOMMENDED STOCK PARTS**

## GARLAND PARTS IDENTIFICATION

### Master Series

### Heavy Duty Range Front-Fired Hot Top & Open Top Section

**Models: MST54RE, RCE, SE, TE**

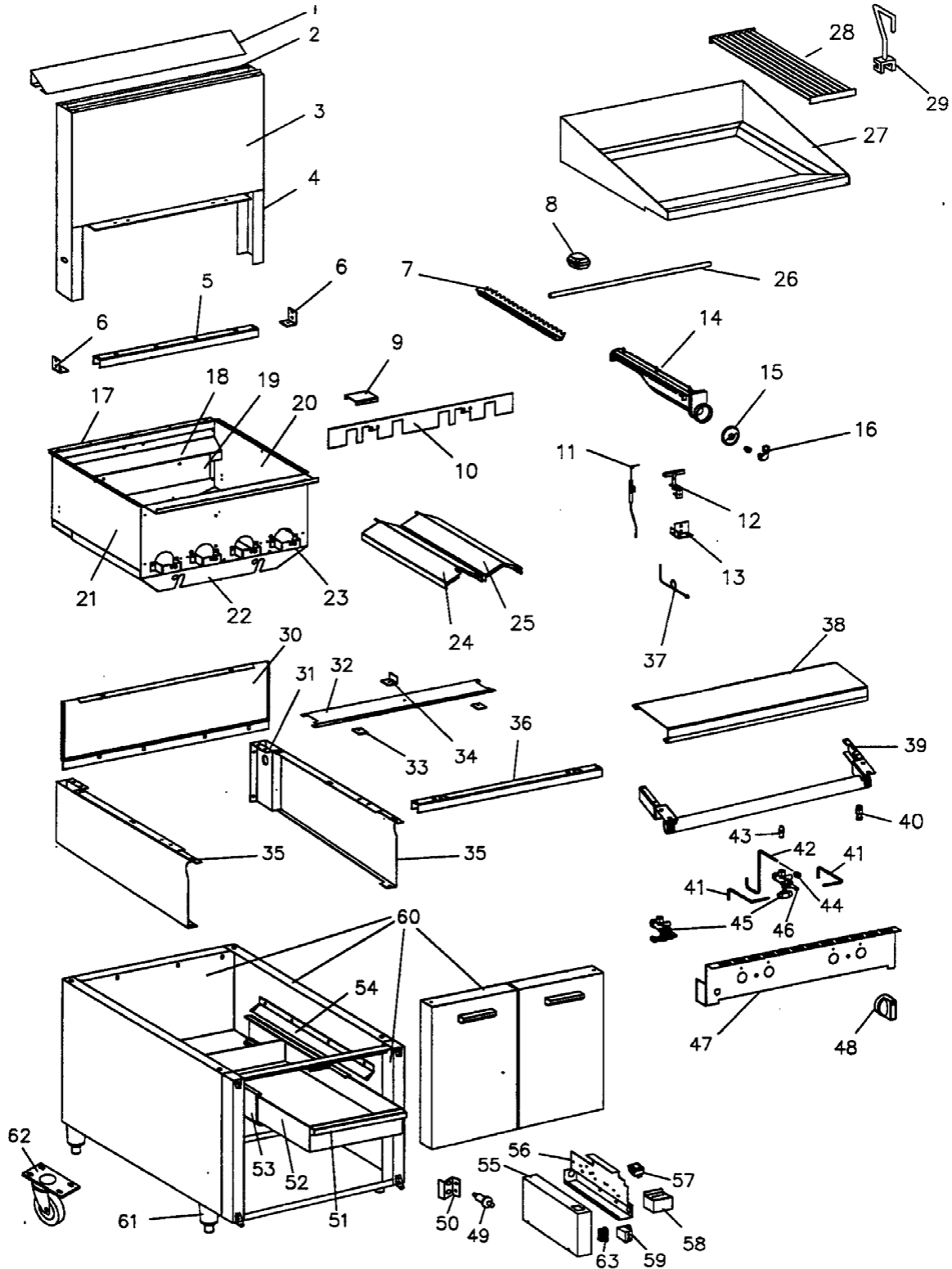
ITEM	PART #	DESCRIPTION	QUANTITY			
			MODEL			
			MST54RE	MST54RCE	MST54SE	MST54TE
55	2336200	Terminal Block Enclosure				1
56	2247100	Wire Way				1
57	2336000	Insulation Retainer				1
58	2247300	Spark Modular Support				1
59	2247200	Spark Modular Enclosure				1
60	2144002	120 Volt Spark Generator				1
	2144000	240 Volt Spark Generator				1
61	2200300	Push Button Switch				1
62	2247703	Secondary Valve Panel				1
63	2247401	Secondary Burner Box Bottom				1
64	2533200	EMI Filter	1	1	1	1

\* NOT ILLUSTRATED

**RECOMMENDED STOCK PARTS**



MASTER SERIES  
HEAVY DUTY GAS CHAR-BROILER  
MODELS: MST17B, MST24B, MST34B;  
MST17BE, MST24BE, MST34BE



## GARLAND PARTS IDENTIFICATION

Master Series

Heavy Duty Gas Char-Broiler

Models: MST17B, MST24B, MST34B, MST17BE, MST24BE, MST34BE

ITEM	PART #	DESCRIPTION	QUANTITY					
			MODEL					
			MST17B	MST24B	MST34B	MST17BE	MST24BE	MST34BE
1	2526000	LP BG Flue Cap 34"			1			1
	2526001	LP BG Flue Cap 24"		1			1	
	2526002	LP BG Flue Cap 17"	1			1		
2	1816401	LP BG Back 17" AZ	1			1		
	1816402	LP BG Back 17" S/S	1			1		
	1816403	LP BG Back 24" AZ		1			1	
	1816404	LP BG Back 24" S/S		1			1	
	1816407	LP BG Back 34" AZ			1			1
	1816408	LP BG Back 34" S/S			1			1
3	1817301	LP Front Panel 17"	1			1		
	1817302	LP Front Panel 24"		1			1	
	1817304	LP Front Panel 34"			1			1
4	1768599	LP BG Upright Assy S/W	2	2	2	2	2	2
5	G02638-5-6	Burner Rest	1			1		
	G02638-1-6	Burner Rest		1			1	
	G02638-4-6	Burner Rest			1			1
6	2532800	Burner Support Bracket	2			2		
	G026390-1-6	Burner Support Bracket		2	2		2	2
7	G02646-2-9	Porcelain Support	3	4	6	3	4	6
8	G02342-1	Briquettes-20 lb	1	1	1		1	1
9	2517800	Bracket Pilot Cover	2	2	3	2	2	3
10	2533600	Burner Shield	1			1		
	G02641-1-6	Burner Shield		1			1	
	G02642-1-6	Burner Shield			1			1
11	G03151-1	Piezo Electrode 16"	1	1	2	1	1	2
	G03151-5	Piezo Electrode 28"	1			1		
	G03151-6	Piezo Electrode 38"		1			1	
12	2206400	Pilot Burner (Natural)	2	2	3	2	2	3
	2206401	Pilot Burner (Propane)	2	2	3	2	2	3
13	2438800	Pilot Mounting Bracket	2	2	2	2	2	2
14	1090500	Burner	3	4	6	2	4	6
15	1028002	Air Shutter	3	4	6	2	4	6
16	G02486-52F	Orifice Fitting (Natural)	3	4	6	2	4	6
	G02486-51F	Orifice Fitting (Propane)	3	4	6	2	4	6
	G02486-XX	Orifice Fitting (Special - Specify Gas)	3	4	6	2	4	6
17	2286100	Back Liner	1			1		
	G02621-1-6	Back Liner		1			1	
	G02743-1-6	Back Liner			1			1
18	G02623-18-6	Back Spacer	1			1		
	G02623-24-6	Back Spacer		1			1	
	G02623-24-6	Back Spacer			1			1
19	2424700	Burner Hold Down	1			1		
	2424701	Burner Hold Down		1			1	
	2424704	Burner Hold Down			1			1
20	G02622-4-61	Side Liner R/H	1			1		
	G02622-1-61	Side Liner R/H		1	1		1	1

\* NOT ILLUSTRATED

### RECOMMENDED STOCK PARTS

## GARLAND PARTS IDENTIFICATION

Master Series

Heavy Duty Gas Char-Broiler

Models: MST17B, MST24B, MST34B, MST17BE, MST24BE, MST34BE

ITEM	PART #	DESCRIPTION	QUANTITY					
			MODEL					
			MST17B	MST24B	MST34B	MST17BE	MST24BE	MST34BE
21	G02622-4-62	Side Liner L/H	1			1		
	G02622-1-62	Side Liner L/H		1	1		1	1
22	2532300	Front Liner	1			1		
	2438600	Front Liner		1			1	
	2438700	Front Liner			1			1
23	G02640-1-6	Orifice Support	3	4	6	3	4	6
24/25	G02637-01-6	Centre Radiation Shield Assy	1	1	2	1	1	2
26	G03866-5-5	Steel Grate Bar 15"	14			14		
	G03866-1-6	Steel Grate Bar 21"		14			14	
	G03866-4-5	Steel Grate Bar 31.375"			14			14
27	2531299	Main Top Assy	1			1		
	2437999	Main Top Assy		1			1	
	2438099	Main Top Assy			1			1
28	G02647-01-5	Broiler Rack Assembly		4			4	
	G03484-01-5	Broiler Rack Assy Diamond		4			4	
	G03724-01-5	Broiler Rack Assembly	2		4	2		4
	G03983-01-5	Broiler Rack Assy Diamond	2		4	2		4
29	G02685-01-8	Rack Lifter Assembly	1	1	1	1	1	1
30	2532700	Burner Box Back	1			1		
	G6149-22-7	Burner Box Back		1			1	
	1896101	Burner Box Back			1			1
31	1768399	Shelf Mounting Bracket Assy LT	1	1	1	1	1	1
	1768398	Shelf Mounting Bracket Assy RT	1	1	1	1	1	1
32	2532600	Back Top 17	1			1		
	2532601	Back Top 24		1			1	
	2532602	Back Top 34			1			1
33	G03128-1-6	Main Top Spacer	2	2	2	2	2	2
35	2531303	Burner Box Side LT CRS	1			1		
	2531302	Burner Box Side RT CRS	1			1		
	2531301	Burner Box Side LT S/S	1			1		
	2531300	Burner Box Side RT S/S	1			1		
	2112903	Burner Box Side LT CRS		1	1		1	1
	2112902	Burner Box Side RT CRS		1	1		1	1
	2112900	Burner Box Side LT S/S		1	1		1	1
	2112901	Burner Box Side RT S/S		1	1		1	1
36	2533000	Attachment Burner Rest	1			1		
	2191400	Attachment Burner Rest		1			1	
	G6302-1-8	Attachment Burner Rest			1			1
37A	2321900	Thermocouple 6"	2	2	3	2	2	3
	2321901	Thermocouple 16"* Recommended to order item # 37B also						
37B	2155202	M8x1 Retaining Nut	4	4	6	4	4	6
38	2426899	Front Rail Assembly	1			1		
	2450199	Front Rail Assembly		1			1	
	2190699	Front Rail Assembly			1			1

\* NOT ILLUSTRATED

**RECOMMENDED STOCK PARTS**



## GARLAND PARTS IDENTIFICATION

### Master Series

### Heavy Duty Gas Char-Broiler

**Models: MST17B, MST24B, MST34B, MST17BE, MST24BE, MST34BE**

ITEM	PART #	DESCRIPTION	QUANTITY					
			MODEL					
			MST17B	MST24B	MST34B	MST17BE	MST24BE	MST34BE
39	2532499	Manifold Assembly	1			1		
	2526499	Manifold Assembly		1			1	
	2552999	Manifold Assembly			1			1
40	G02251-1	Test Spigot	1	1	1	1	1	1
41	2444600	1/4 Tube Orifice - Tee RT	2	2	3	2	2	3
	2444601	1/4 Tube Orifice - Tee LT	1	2	3	1	2	3
	2609900	1/4 Tube Orifice - RT (Mfg Gas)	2	2	3	2	2	3
	2609901	1/4 Tube Orifice - LT (Mfg Gas)	1	2	3	1	2	3
42	2444700	1/4 Tube Pilot - Elbow	2	2	3	2	2	3
43	1086597	Gum Valve - 3/16 Pilot	1	2	3	1	2	3
43A*	2198102	Valve Connector Fitting -10mm	1	2	3	1	2	3
	2198100	Valve Connector Fitting -12mm Mfg Gas	1	2	3	1	2	3
44	G03674-3	Valve Pilot 1/4" Angle	2	2	3	2	2	3
45	2333899	Tee 1/4 x 1.4 CC x MF Assy	2	2	3	2	2	3
46	2200196	Valve-Flame Failure	1	2	3	1	2	3
	2200199	Valve-Flame Failure (Right)	1			1		
	2187097	Valve Assy. FF Mfg Gas	1	2	3	1	2	3
	2187098	Valve Assy. FF Mfg Gas (Right)	1			1		
47	2533700	Valve Panel	1			1		
	2442800	Valve Panel		1			1	
	2442700	Valve Panel			1			1
48	2522102	Knob (Top FF PEL)	2	2	3	2	2	3
	2522106	Knob (Top FF Mfg. Gas)	2	2	3	2	2	3
49	1309201	Piezo Igniter				2	2	3
50	2525800	Piezo Support Bracket				1	1	2
52	2524902	Drip Tray 17B	1			1		
	2524901	Drip Tray 24B		1			1	
	2524900	Drip Tray 36B			1			1
53	G02635-1-7	Drip Tray Slide	2	2	2	2	2	2
54	G02745-1-6	Drip Chute	2	2	2	2	2	2
55	2193600	Electric Box Enclosure				1	1	1
56	2524600	Electric Connection Box				1	1	1
56A*	2543600	Enclosure Shield-Large				1	1	1
56B*	2543700	Enclosure Shield-Small				1	1	1
56C*	2442400	Wire Way				1	1	1
57	2200300	Push Button Switch				1	1	1
58	2144002	Spark Generator-120V				1	1	1
	2144000	Spark Generator-240V				1	1	1
59	050069	Terminal Block				2	2	2
	050070	Terminal Block End				1	1	1
59A*	G2840-1	Chord/Plug Set 3/14 Wire (120V Only)				1	1	1
60	G6196-1-8	Body Side (CRS) LT & RT	2	2	2	2	2	2
	G6196-1-9	Body Side (S/S) LT & RT	2	2	2	2	2	2
	2515300	Main Bottom 17"	1			1		
	2442600	Main Bottom 24"		1			1	
	G01031-1-7	Main Bottom 34"			1			1

\* NOT ILLUSTRATED

#### **RECOMMENDED STOCK PARTS**

## GARLAND PARTS IDENTIFICATION

### Master Series

### Heavy Duty Gas Char-Broiler

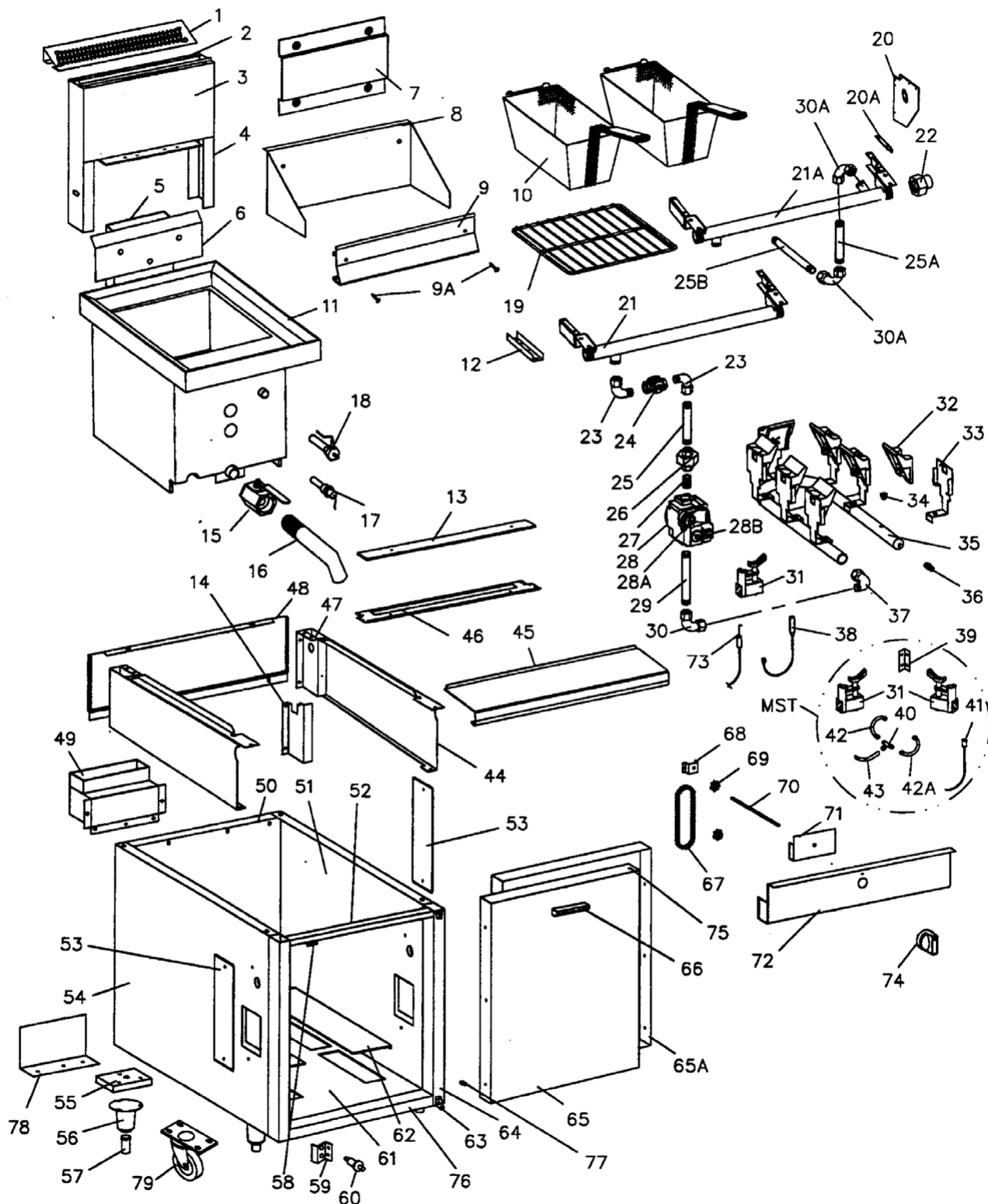
**Models: MST17B, MST24B, MST34B, MST17BE, MST24BE, MST34BE**

ITEM	PART #	DESCRIPTION	QUANTITY					
			MODEL					
			MST17B	MST24B	MST34B	MST17BE	MST24BE	MST34BE
60 Cont	2546500	Lower Front Channel Molding	1			1		
	2546501	Lower Front Channel Molding		1			1	
	2442500	Lower Front Channel Molding			1			1
	2514697	Front Frame Assy-17	1			1		
	2514699	Front Frame Assy-24		1			1	
	2514698	Front Frame Assy-34			1			1
	2524800	Main Back 17"	1			1		
	2524801	Main Back 24"		1			1	
	G6051-1-7	Main Back 34"			1			1
	2530102	Corner Column LT	1	1	1	1	1	1
	2530103	Corner Column RT	1	1	1	1	1	1
	2529900	Magnet Support Bracket	1	1	1	1	1	1
	2544200	Magnet Support Bracket (Double)	1	1	1	1	1	1
	078174-1	Magnetic Door Catch	1	1	1	1	1	1
	2514400	Inner Side RH	1	1	1	1	1	1
	2514401	Inner Side LH	1	1	1	1	1	1
	2194598	Door Hinge Assy LH	1	1	1	1	1	1
	2194599	Door Hinge Assy RH	1		2	1		2
	2193500	Door Panel		1			1	
	2431200	Door Panel	1		2	1		2
	2193900	Door Lining	1		2	1	1	2
	2431300	Door Lining		1			1	
	2192900	Storage Door Handle	1	1	2	1	1	2
	2327100	Door Stop Bumper	1	1	1	1	2	1
	2327200	Hinge Pin	2	2	4	2	4	4
	G02973-2	Plastic Hole Plug 1/2"	4	4	6	4	3	6
	2530900	Hole Plug 3/8"	3	3	6	3	2	6
	078056-5	Flange Bearing	2	2	4	2		4
	2526200	Cabinet Shelf	1			1	1	
	2515000	Cabinet Shelf		1				
2514500	Cabinet Shelf			1		4	1	
61	1027600	Leg Retainer Plate 6"	4	4	4	4	4	4
	1150502	Bullet Legs	4	4	4	4	4	4
	1542001	S/S Leg Assy	4	4	4	4	4	4
	1566400	Plate Leg Sub Assy (Opt)	4	4	4	4	4	4
62	1027800	Swivel Caster Less Brake	2	2	2	2	2	2
	10278011	Swivel Caster C/W Brake	2	2	2	2	2	2
63	1027801	EMI Filter				1		1

\* NOT ILLUSTRATED

#### **RECOMMENDED STOCK PARTS**

## **NOTES**



## GARLAND PARTS IDENTIFICATION

### Master Series

### Heavy Duty Gas Fryer

### Models: MST35SS

ITEM	PART #	DESCRIPTION	QUANTITY
			MODEL
			MST35SS
1	1790601	LP BAG Flue Cap 17"	1
2	1816401	LP BAG Back 17" AZ	1
	1816402	LP BAG Back 17" S/S	1
3	1817301	LP Front Panel 17"	1
4	1768599	LP BAG Upright Assay	2
5	2429199	Flue Riser Extension Assay	1
	1749999	Flue Riser Assay 17" BAG	1
6	G0562-2-6	Heat Shield	1
7	G0549-3-7	Back Guard Radiation Shield	1
8	1480600	Fry Pot Back-Splash	1
9	F826-1015	Basket Hanger Kit	1
9A	F8090171	Thumb Screw 1/4" x 1-3/8"	2
10	F042-1	Twin Basket	2
	F045-1	Large Single Basket	1
11	1600996	Fry Pot Assay Complete LP CRS	
	1600997	Fry Pot Assay Complete Nat CRS	
	1600998	Fry Pot Assay Complete LP S/S	
	1600999	Fry Pot Assay Complete Nat S/S	
	2566102	Fry Tank Assay CE (G20) Nat S/S	1
	2566103	Fry Tank Assay CE (G31) LP S/S	1
	2566104	Fry Pot - XJ2X - CE (G20/G25) FRA	1
	2566105	Fry Pot- XJ2X - CE (G31) FRA	1
12	2584400	Front Rail Support Brkt	2
13	2429700	Back Top Cover Plate	1
14	1550200	Rear Heat Shield RT	1
	1550201	Rear Heat Shield LT	1
15	F823-1363	Drain Valve 1-1/4" X 1"	1
	F810-0662	Handle Drain Valve C/W Lock Pin	1
16	F12-1227	Drain Extension 1"	1
17	F806-7541	Thermostat Opening	1
18	F826-1177	Thermostat Hi Limit	1
19	F803-0032	Basket Support Rack	1
20	2208002	End Enclosure RT	1
	2208003	End Enclosure LT	1
21	2445699	Manifold Assy	1
21A	2445696	Manifold Assy 3/4" NPT Rear Gas	1
	2445695	Manifold Assy 1-1/4" NPT Rear Gas	1
22	G7075	1-1/4" NPT Union	1
23	G01475-1	1/2" NPT Street Elbow	2
24	G01517-1	Valve-Swing Type Shut Off Gas	1
25	G01896-1	Nipple 1/2" NPT x 3"	1
25A	076029-190	Nipple 3/4" NPT x 15"	1
	076029-195	Nipple 1-1/4" NPT x 16"	1
25B	076029-192	Nipple 3/4" NPT x 29"	1
	076029-196	Nipple 1-1/4" NPT x 27"	1
26	G01739-1	1/2" NPT	1
27	G01477-10	1/2" NPT x 1-1/2"	1

\* NOT ILLUSTRATED

#### **RECOMMENDED STOCK PARTS**

## GARLAND PARTS IDENTIFICATION

### Master Series

### Heavy Duty Gas Fryer

### Models: MST35SS

ITEM	PART #	DESCRIPTION	QUANTITY
			MODEL
			MST35SS
28(1)	F807-2427	Valve Robertshaw Unitorl 1/2" Nat	1
28(2)	F807-2424	Valve Robertshaw Unitorl 1/2" LP	
28(3)	2577399	Honeywell Valve (G20) Nat	1
28(4)	2577398	Honeywell Valve (G31) LP	1
28A	F810-0187	Regulator Nat For Item 28(1)	
	F819-0099	Regulator LP For Item 28(2) - F817-0099	
	F807-1849	Regulator Nat For Item 28(3)	1
	F807-1846	Regulator LP For Item 28(4)	1
28B	F819-0109	Knob Gas Valve For Item 28 (1&2)	
29	G01896-2	Nipple 1/2" NPT x 3-1/2"	1
30	G01474-2	Elbow 1/2" NPT 90°	1
	G01474-5	Elbow 3/4" NPT 90°	2
	2536300	Elbow 1-1/4" NPT 90°	2
31	F810-0615	Pilot Burner	2
31A*	F810-0149	Pilot Orifice Nat	2
	F810-0148	Pilot Orifice LP	2
32	F806-4720	Deflector Single	9
33	F810-0152	Deflector Brkt	9
34	F810-0129	Orifice Main Burner Nat 51 F 1.70mm	9
	F810-0134	Orifice Main Burner Nat 59 F 1.05mm	9
35	F823-0106	Manifold Weld Assy	1
36	G02251-1	Pressure Test Spigot	1
37	G01916-1	3/4" to 1/2 Reduction Street Elbow	1
38	F810-0617-1	Thermopile (2 Wire Lead))	1
39	F900-1032	Pilot Mounting Brkt	1
40	G02569-1	1/4" Compression Tee	1
41	F810-0162	Thermopile (Third IN)	1
42	GM308	1/4" Pilot Tubing x 6"	1
42A	GM308	1/4" Pilot Tubing x 6"	1
43	F810-0703	1/4" Pilot Tubing x 17-1/2"	1
44	1824100	Burner Box Side RT CRS	1
	1824101	Burner Box Side LT CRS	1
	1824102	Burner Box Side RT S/S	1
	1824100	Burner Box Side LT S/S	1
45	24302299	Front Rail Assy	1
46	2429600	Back Top	1
47	1768399	Shelf Mounting Brkt LT	1
	1768398	Shelf Mounting Brkt RT	1
48	2580700	Burner Box Back	1
	2580701	Burner Box Back S/S	1
49	2429299	Flue Assembly	1
50	2524802	Main Back M35	1
	2524803	Main Back S/S M35	1
51	2575900	Inner Side RH M35	1
	2575901	Inner Side LH M36	1
52	2514697	Front Frame Assy 17"	1
53	1574000	Body Side Patch S/S	2
	1574001	Body Side Patch CRS	2

\* NOT ILLUSTRATED

#### **RECOMMENDED STOCK PARTS**

## GARLAND PARTS IDENTIFICATION

Master Series

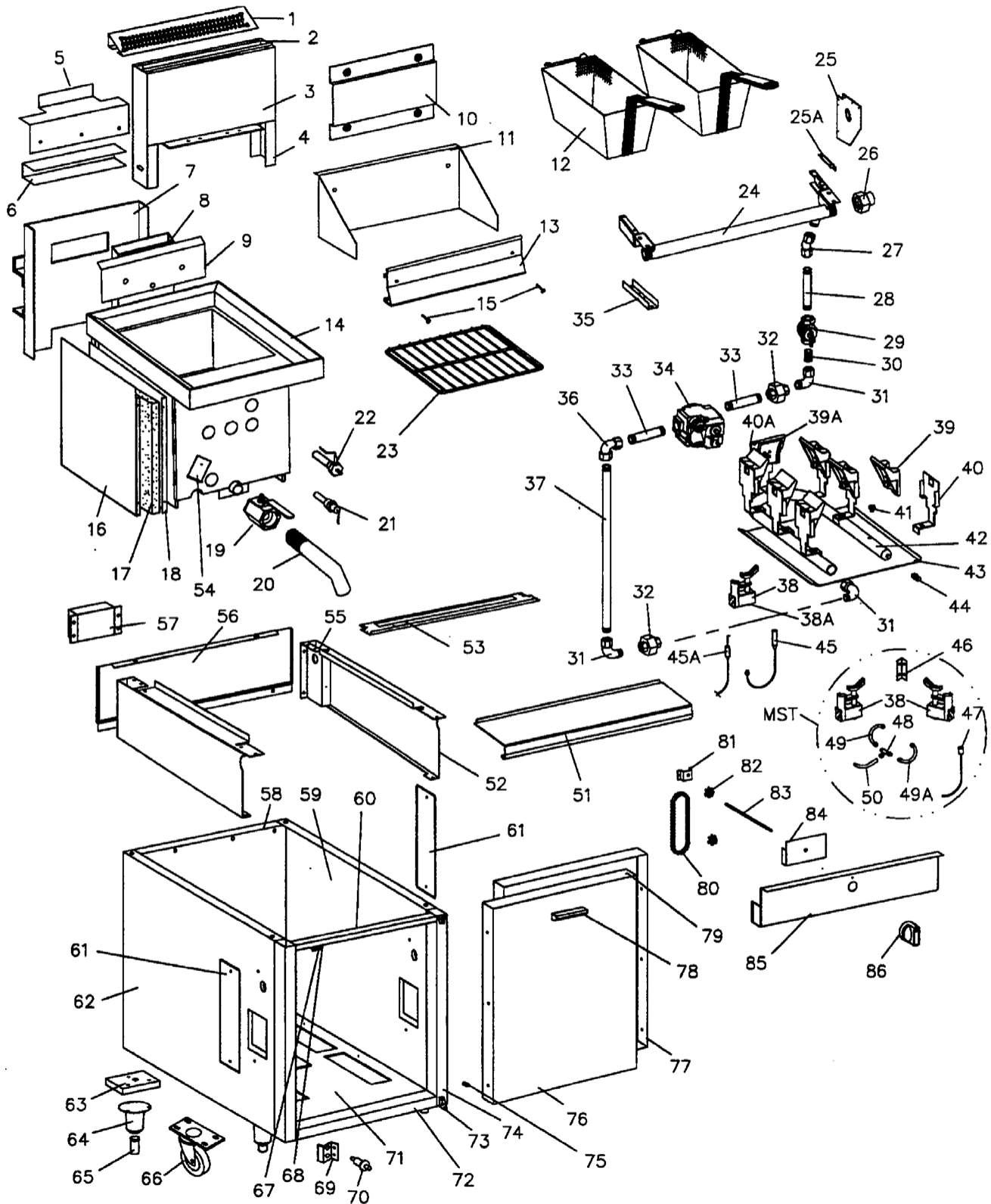
Heavy Duty Gas Fryer

Models: MST35SS

ITEM	PART #	DESCRIPTION	QUANTITY
			MODEL
			MST35SS
54	2575800	Body Side LT CRS M35	1
	2575801	Body Side LT S/S M35	1
	2575802	Body Side RT CRS M35	1
	2575803	Body Side RT S/S M35	1
55	216700	Base Corner	4
56	1027600	Leg Retainer Plated	4
57	1150502	Bullet Legs	4
58	2529900	Magnet Support Brkt	1
	078174-1	Magnetic Door Catch	1
59	2525800	Piezo Mounting Brkt	1
60	1309201	Piezo Igniter	1
61	2515301	Main Bottom	1
62	11290203	Shield Side RT/LT	2
63	2194598	Door Hinge Assy LT	1
	2194599	Door Hinge Assy RT	1
64	2530002	Corner Column LT	1
	2530003	Corner Column RT	1
65	2193500	Panel Door	1
65A	2193900	Door Liner Cabinet	1
66	2192900	Handle Storage Door	1
67	G066-5-8	Drive Chain #25	1
68	G0963-1-7	Connecting Rod Support	1
69	G02426-1	Gear (Boston)	2
70	1805199	Connecting Rod Assy	1
71	G0965-1-8	Dial Plate Support	1
72	2561905	Valve Panel M35	1
73	G03151-2	Piezo Electrode	1
74	2522105	Knob Fryer Thermostat F°	1
	2522112	Knob Fryer Thermostat C°	1
75	G02973-1	Hole Plug 1/2"	2
76	2546500	Lower Front Cannel Molding	1
77	2327100	Door Stop Bumper	1
78	1290204	Shield Rear	1
79	1027800	Casters Less Brake	2
	1027801	Caster C/W Brake	2

\* NOT ILLUSTRATED

### **RECOMMENDED STOCK PARTS**





## GARLAND PARTS IDENTIFICATION

### Master Series

### Heavy Duty Gas Fryer

### Model: MST70SS

ITEM	PART #	DESCRIPTION	QUANTITY
			MODEL
			MST70SS
1	1890603	LP BG Flue Cap 24"	1
2	1816403	LP BG Back 24" AZ	1
	1816404	LP BG Back 24" S/S	1
3	1817302	LP Front Panel 24"	1
4	1768599	LP BG Upright Assy	2
5	2430600	Flue Riser Stop	1
6	G02402-1-6	Spacer	1
7	G02409-01--6	Rear Enclosure Assy	1
8	2430799	Flue Riser Assy	1
9	G02400-1-6	Heat Shield	1
10	G0549-2-7	Back Guard Radiation Shield	1
11	F910-6470	Heat Shield	1
12	F043-1	Fryer Basket	2
	F046-1	Fryer Basket Large	1
13	F803-0029	Basket Hanger	1
14	G02418-01	Fry Pot Assy Complete Nat	1
	G02418-02	Fry Pot Assy Complete LP	1
	2575400	Fry Pot Assy Complete (G20) Nat	1
	2575401	Fry Pot Assy Complete G31) LP	1
	2575402	Fry Pot Assy Complete (G25) Nat FRA	1
	2575403	Fry Pot Assy Complete (G31) LP FRA	1
15	F809-0171	Basket Hanger Mount Screws	2
16	G02411-1-62	Outer Side Encl LT	1
	G02411-1-61	Outer Side Encl RT	1
17	F26-0861	Fry Pot Insulation Kit	1
18	G02410-1-6	Inner Side Encl RT/LT	2
19	F810-0204	Drain Valve	1
20	F813-0188	Drain Pipe	1
21	F826-1177	Thermostat Hi-Limit	1
22	F806-0183	Thermostat Operating	1
23	F803-0137	Basket Support Rack	1
24	2431899	Manifold Assy	1
25	2208002	End Enclosure RT	1
	2208003	End Enclosure LT	1
25A	2582800	End Enclosure Support Brkt RT	1
	2582801	End Enclosure Support Brkt LT	1
26	G7075	1-1/4" NPT Union	1
27	G02419-1	3/4" NPT 45 ° Elbow	1
28	G01738-5	Nipple 3/4" NPT x 6-1/2	1
29	G01518-1	Valve Swing Type Shut-Off Gas	1
30	G01538-9	Nipple 3/4" NPT x 1-1/2" Close	1
31	G01475-2	Elbow Street 3/4" NPT 90°	2
32	G01963-1	Union 3/4" NPT	2
33	G01738-11	Nipple 3/4" NPT x 3-1/2"	2
34	F807-2428	Robershaw Gas Valve Nat	
	F807-2425	Robertshaw Gas Valve LP (3/4")	
	2574499	Honeywell Gas Valve (G20) Nat	1
	2574498	Honeywell Gas Valve (G31) LP	1
35	2584400	Front Rail Support Brkt	1

\* NOT ILLUSTRATED

#### **RECOMMENDED STOCK PARTS**

## GARLAND PARTS IDENTIFICATION

### Master Series

### Heavy Duty Gas Fryer

### Model: MST70SS

ITEM	PART #	DESCRIPTION	QUANTITY
			MODEL MST70SS
36	G01474-5	Elbow 3/4" NPT 90°	1
37	G01738-5	Nipple 3/4" NPT x 6-1/2"	1
38	F810-0426	Pilot Burner Nat	2
	F810-0427	Pilot Burner LP	2
38A	F810-0149	Pilot Orifice Nat	2
	F810-0148	Pilot Orifice LP	2
39	F814-0034	Ceramic Target (Side Target)	10
	F810-0424	Ceramic Target (Wide Rear)	1
40	F910-0226	Deflector Brkt (Side)	10
	F910-1465	Deflector Brkt (Rear)	1
41	F810-0343	Orifice 1.24mm Nat	
	F810-0340	Orifice 0.86mm LP	
	F810-330	Orifice (G20) Nat	21
	F810-0906	Orifice (G31) LP	21
42	F823-0289	Burner Manifold	1
43	F383-0330	Burner Suspend Heat Shield	1
44	G02251-1	Pressure Test Spigot	1
45	F810-0162	Pilot Generator (Robertshaw)	
	F810-0617-1	Pilot Generator (2 Wire Lead)	1
45A	G03151-1	Piezo Igniter	1
46	F900-1032	Pilot Mounting Brkt	1
47	F807-0699	Thermocouple 20"	1
48	G02569-1	1/4" Compression Tee	1
49	F810-0700	1/4" Pilot Tubing x 8.85"	1
49A	F810-0700	1/4" Pilot Tubing x 8.85"	1
50	F810-0704	1/4" Pilot Tubing x 19-1/2"	1
51	2430399	Front Rail Assy	1
52	1335604	Burner Box Side CRS RT	1
	1335606	Burner Box Side CRS LT	1
	1335605	Burner Box Side S/S RT	1
	1335607	Burner Box Side S/S LT	1
53	2431100	Back Top	1
54	G02399-1-6	Pilot Entrance Cover	1
55	2584699	Shelf Mounting Bracket Assy LH	1
	2584698	Shelf Mounting Bracket Assy RH	1
56	2586000	Burner Box Back M70	1
	2586001	Burner Box Back S/S M70	1
57	G02407-1-6	Rear Burner Tile Enclosure	1
58	2424802	Main Back 24"	1
	2524804	Main Back S/S M70	1
59	2575900	Inner Side RH	1
	2575901	Inner Side LH	1
60	2514699	Front Frame Assy 24"	1
61	1574400	Body Side Patch S/S	1
	1574401	Body Side Patch CRS	1
62	2575800	Body Side LT CRS	1
	2575801	Body Side LT S/S	1
	2575802	Body Side RT CRS	1
	2575803	Body Side RT S/S	1

\* NOT ILLUSTRATED

#### **RECOMMENDED STOCK PARTS**

## GARLAND PARTS IDENTIFICATION

Master Series

Heavy Duty Gas Fryer

Model: MST70SS

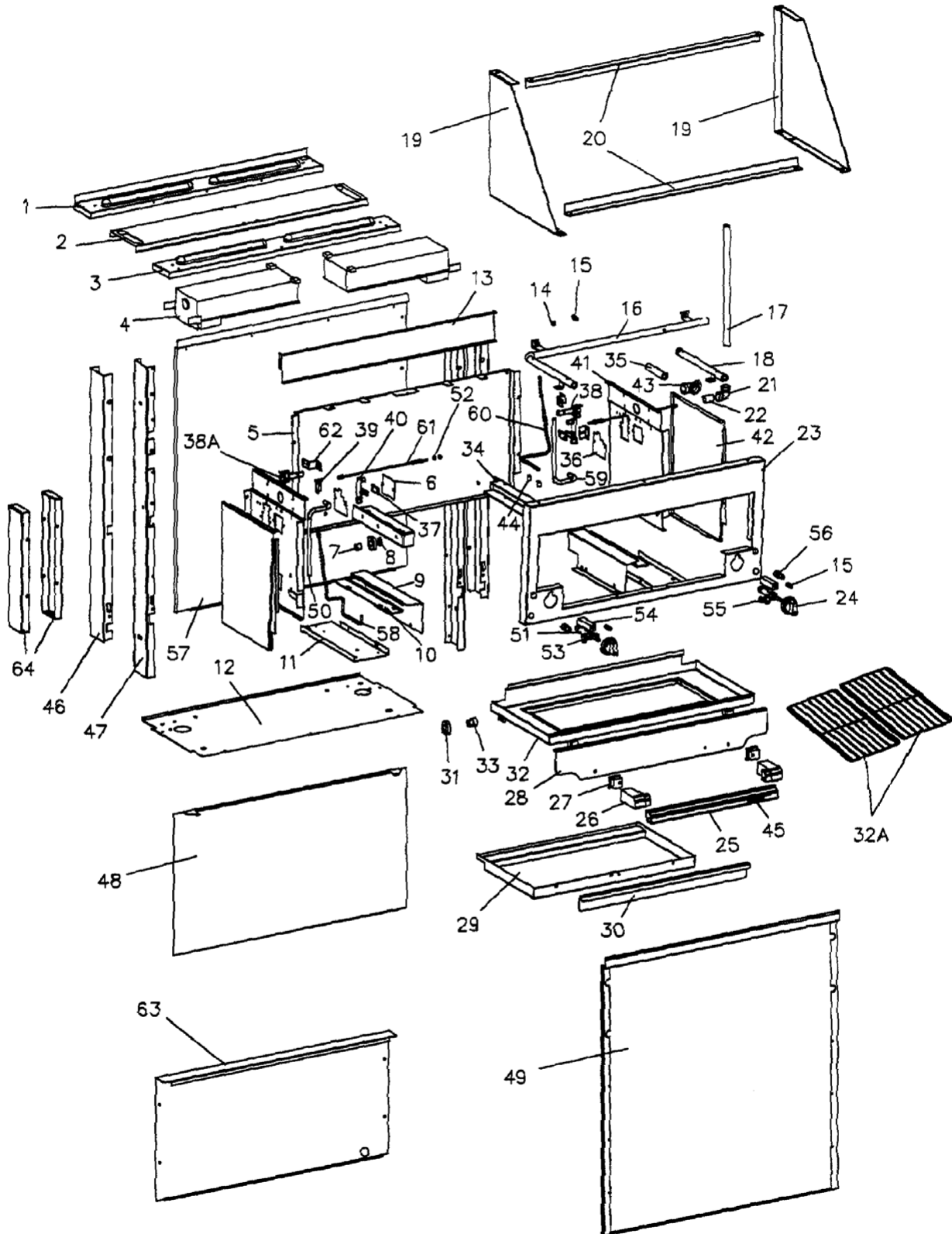
ITEM	PART #	DESCRIPTION	QUANTITY
			MODEL
			MST70SS
63	2167700	Base Corner	4
64	1027600	Leg Retainer Plated	4
65	1150502	Bullet Legs	4
66	1027800	Caster Less Brake	2
	1027801	Caster C/W Brake	2
67	78174-1	Magnetic Door Catch	1
68	2529900	Magnet Support Brkt	1
69	2525800	Piezo Support Brkt	1
70	1308201	Piezo Igniter	1
71	G02414-1-6	Main Bottom M70SS	1
72	2546500	Lower Front Channel Molding	1
73	2194598	Door Hinge Assy LT	1
	2194599	Door Hinge Assy RT	1
74	2530102	Corner Column LT	1
	2530103	Corner Column RT	1
75	2327100	Door Stop bumper	1
76	2421200	Door Panel	1
77	2421300	Door Lining	1
78	2192900	Storage Door Handle	1
79	G02973-1	Hole Plug 1/2"	2
80	G066-5-8	Drive Chain # 25	1
81	G0963-1-7	Connecting Rod Support	1
82	G02426-1	Gear Boston	2
83	1805199	Connecting Rod Assy	1
84	G0965-1-7	Dial Plate Support	1
85	2431701	Valve Panel	1
86	2522105	Knob Fryer Thermostat F°	1
	2522112	Knob Fryer Thermostat C°	1

\* NOT ILLUSTRATED

**RECOMMENDED STOCK PARTS**



MASTER SERIES  
HEAVY DUTY GAS INFRA-RED  
SALAMANDER BROILER  
MODELS: MSTSRC, MSTR16



**GARLAND PARTS IDENTIFICATION**  
**Master Series**  
**Heavy Duty Gas Infra-Red Salamander Broiler**  
**Model: MSTSRC, MSTSR16**

ITEM	PART #	DESCRIPTION	QUANTITY	
			MODEL	
			MSTSRC	MSTSR16
1	G01377-1-6	Main Top Back		1 (Std)
	G01377-1-9	Main Top Back	1	1 (Opt)
2	G01376-1-6	Main Top Centre		1 (Std)
	G01376-1-9	Main Top Centre	1	1 (Opt)
3	G01375-1-9	Main Top Front	1	1
4	2572100	Infra Red Burner	2	2
5	2564200	Flue Back	1	1
6	G01372-1-6	Orifice Fitting Cover	2	2
7	G01247-2	Front Bearing	2	2
8	G01247-1-8	Washer Bearing	2	2
9	2540398**	Valve Housing Assy LH	1	1
	2540399**	Valve Housing Assy RH	1	1
	2592798	Valve Housing Assy LH	1	1
	2592799	Valve Housing Assy RH	1	1
10	2576200	Valve Housing Retainer	2	2
11	2541998	Manifold Housing Bottom LH	1	1
	2541999	Manifold Housing Bottom RH	1	1
12	2540800	Bottom Cover	1	1
13	2580200	Front Brace	1	1
14	2203400	Cnt. Sunk 1/8" NPT Hex Plug	4	4
15	G02251-1	Pressure Test Spigot	3	3
16	2541799	Manifold Assembly	1	1
17	G01477-9	Nipple 1/2" NPT x 18" Long	1	1
18	2567999	Sub-Manifold Assembly	1	1
19	2582600	Wall Mount Bracket RH (Black)	1 (Std)	
	2582602	Wall Mount Bracket RH (S/S)	1 (Opt)	
	2582601	Wall Mount Bracket LH (Black)	1 (Std)	
	2582603	Wall Mount Bracket LH (S/S)	1 (Opt)	
20	G01467-1-5	Angle Bracket	2	
21	G01474-2	Elbow-1/2 NPT	1	1
22	G01477-10	Nipple 1/2" NPT x 1/2" Long	1	1
23	2564400**	Front Frame	1	1
	2593100	Front Frame	1	1
24	2522113	Knob	2	2
25	2193100**	Door Handle	1	1
	2193101	Door Handle	1	1
26	2559101	Door Handle End LT	1	1
	2559100	Door Handle End RT	1	1
27	2580600	Door Handle End Insert	2	2
28	2547600**	Rack Veneer	1	1
	2592600	Rack Veneer	1	1
29	2540600**	Grease Tray	1	1
	2601300	Grease Tray	1	1
30	2540700	Grease Tray Front	1	1
31	G01244-1	Bearing	4	4
32	2540199**	Rack Frame & Grease Chute Assy	1	1
	2593099	Rack Frame & Grease Chute Assy	1	1
32A	G02468-01-5	Half Round Rack	2	2

\* NOT ILLUSTRATED

**RECOMMENDED STOCK PARTS**

## GARLAND PARTS IDENTIFICATION

### Master Series

### Heavy Duty Gas Infra-Red Salamander Broiler

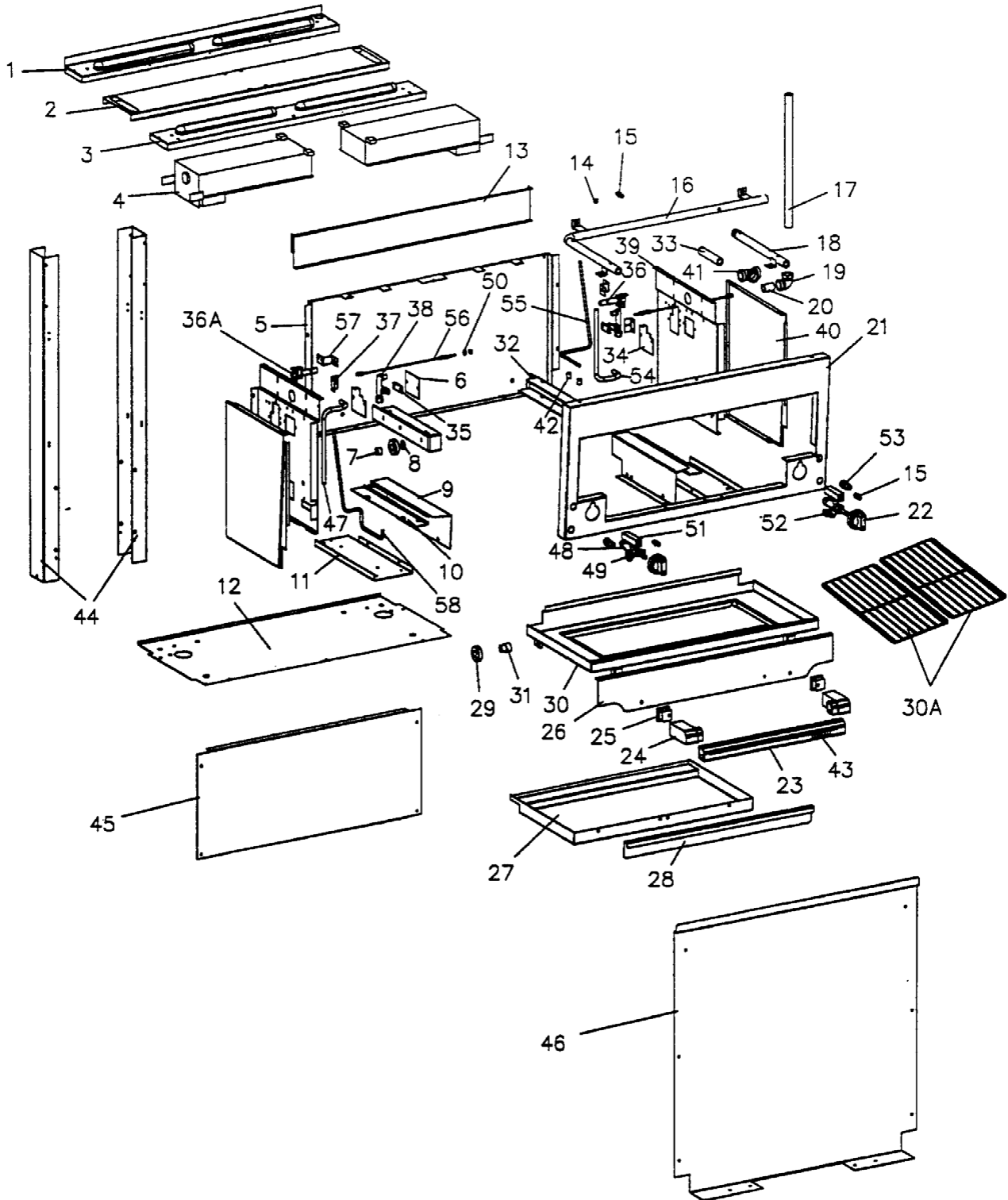
### Model: MSTSRC, MSTSR16

ITEM	PART #	DESCRIPTION	QUANTITY	
			MODEL	
			MSTSRC	MSTSR16
33	G01247-3	Rear Bushing	2	2
34	G0249-01-81	Roller Guide Assembly RH	1	1
	G0249-01-82	Roller Guide Assembly LH	1	1
35	G01477-2	Nipple 1/2" x 4-1/8" Long	1	
36	2554600	Cover Plate	2	2
37	2554800	Orifice Fitting Shim	2	2
38	G01267-5	Pilot Burner	2	2
38A	G01267-2	Pilot Orifice (Natural)	2	2
	G01267-3	Pilot Orifice (Propane)	2	2
39	G02649-1-6	Pilot Bracket	2	2
40	G01411-	Orifice Fitting Natural	2	2
	G10411-	Orifice Fitting Propane	2	2
41	2542100	Side Liner RH	1	1
	2542101	Side Liner LH	1	1
42	2567300	Main Side RH (Black)	1 (Std)	1 (Std)
	2567302	Main Side RH (S/S)	1 (Opt)	1 (Opt)
	2567301	Main Side LH (Black)	1 (Std)	1 (Std)
	2567303	Main Side LH (S/S)	1 (Opt)	1 (Opt)
43	G01476-1	Tee 1/2" NPT	1	1
44	G01989-1-8	Post Bearing 1/2" Dia x 1/2" Long	4	4
45	1592007**	Handle Overlay		1
	1799401	Handle Overlay		1
46	2567701	Upright Veneer LH		1
	2567700	Upright Veneer RH		1
47	2567698	Upright Assy LH		1
	2567699	Upright Assy RH		1
48	2567800	Front Panel		1
49	2580500	Veneer Back (Opt)		1
50	2541000	7/16 Dia Tubing Valve - Orifice LT	1	1
51	2200199	Flame Failure Valve	2	2
52	2155202	M8X1 Brass Nut-Thermocouple	4	4
53	2198102	Valve Connector Fitting 10mm	2	2
54	2542000	Valve Extension Block	2	2
55	G03674-3	Valve Pilot 1/4" 90°	2	2
56	G01243-1	Fitting - 7/16" CC X 1/4" NPT	2	2
57	2567500	Main Back		1
58	2361000	1/4" Dia Tubing Pilot-FF LT	1	1
59	2541200	7/16 Dia Tubing Valve - Orifice RT	1	1
60	2536000	1/4" Dia Tubing Pilot-FF RT	1	1
61	2321902	Thermocouple 23-1/2"	2	2
62	2554501	Thermocouple Support Bracket - LT	1	1
	2554500	Thermocouple Support Bracket - RT	1	1
63	2567200	Main Back (Black)	1 (Std)	
	2567201	Main Back (S/S)	1 (Opt)	
64	2567198	Support Bracket Assy (S/S)	2 (Std)	
	2567199	Support Bracket Assy (Black)	2 (Opt)	

\* NOT ILLUSTRATED

#### **RECOMMENDED STOCK PARTS**

## **NOTES**





## GARLAND PARTS IDENTIFICATION

### Master Series

### Gas Infra-Red Salamander Broiler

### Model: MSTSR16-280

ITEM	PART #	DESCRIPTION	QUANTITY
			MODEL
1	G01377-1-6	Main Top Back	1 (Std)
	G01377-1-9	Main Top Back	1 (Opt)
2	G01376-1-6	Main Top Centre	1 (Std)
	G01376-1-9	Main Top Centre	1 (Opt)
3	G01375-1-9	Main Top Front	1
4	2572100	Infra Red Burner	2
5	2564200	Flue Back	1
6	G01371-1-6	Orifice Fitting Cover	2
7	G01247-2	Front Bearing	2
8	G01247-1-8	Washer Bearing	2
9	2540398**	Valve Housing Assy LH	1
	2540399**	Valve Housing Assy RH	1
	2592798	Valve Housing Assy LH	1
	2592799	Valve Housing Assy RH	1
10	2576200	Valve Housing Retainer	2
11	2541998	Manifold Housing Bottom LH	1
	2541999	Manifold Housing Bottom RH	1
12	2540800	Bottom Cover	1 (Opt)
13	2580200	Front Brace	1
14	2203400	Cnt. Sunk 1/8" NPT Hex Plug	4
15	G02551-1	Pressure Test Spigot	3
16	2541799	Manifold Assembly	1
17	G01477-9	Nipple 1/2" NPT x 18" Long	1
18	2567999	Sub-Manifold Assembly	1
19	G01474-2	Elbow - 1/2 NPT	1
20	G01477-10	Nipple 1/2" NPT x 1-1/2" Long	1
21	2564400**	Front Frame	1
	2593100	Front Frame	1
22	2522113	Knob	2
23	2193100**	Door Handle	1
	2193100	Door Handle	1
24	2559101	Door Handle End LT	1
	2559100	Door Handle End RT	1
25	2580600	Door Handle End Insert	2
26	2547600**	Rack Veneer	1
	2592600	Rack Veneer	1
27	2540600**	Grease Tray	1
	2601300	Grease Tray	1
28	2540700	Grease Tray Front	1
29	G01244-1	Bearing	4
30	2540199**	Rack Frame & Grease Chute Assy	1
	2593099	Rack Frame & Grease Chute Assy	1
30A	G02468-01-5	Half Round Rack	2
31	G01247-3	Rear Bushing	2
32	G02469-01-81	Roller Guide Assembly RH	1
	G02469-01-82	Roller Guide Assembly LH	1
33	G01477-2	Nipple 1/2" NPT x 4-1/8" Long	2
34	2554600	Cover Plate	2
35	2554800	Orifice Fitting Shim	2

\* NOT ILLUSTRATED

#### **RECOMMENDED STOCK PARTS**

## GARLAND PARTS IDENTIFICATION

### Master Series

### Gas Infra-Red Salamander Broiler

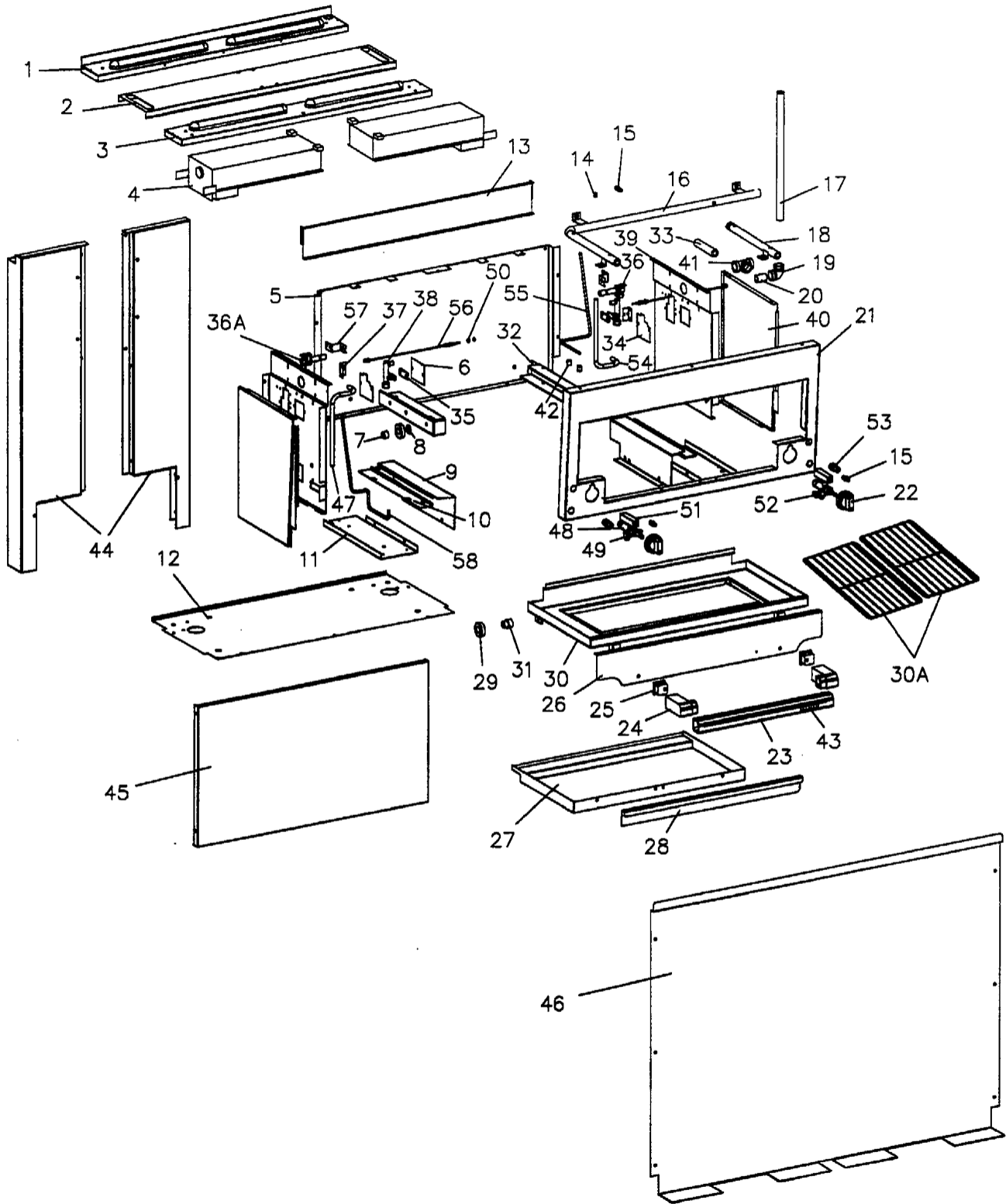
### Model: MSTSR16-280

ITEM	PART #	DESCRIPTION	QUANTITY
			MODEL
36	G01267-5	Pilot Burner	2
36A	G01267-2	Pilot Orifice (Natural)	2
	G01267-3	Pilot Orifice (Propane)	2
37	G02649-1-6	Pilot Bracket	2
38	G01411-55	Orifice Fitting Natural (N. America)	2
	G01411-1.2mm	Orifice Fitting Propane (N. America)	2
	G01411-XX	Orifice Fitting Natural (Export)	2
	G01411-XX	Orifice Fitting Propane (Export)	2
	G01411-XX	Orifice Fitting - Special (Gas/Destination)	2
39	2542100	Side Liner RH	1
	2542101	Side Liner LH	1
40	2567300	Main Side RH (Black)	1 (Std)
	2567302	Main Side RH (S/S)	1 (Opt)
	2567301	Main Side LH (Black)	1 (Std)
	2567303	Main Side LH (S/S)	1 (Opt)
41	G01476-1	Tee 1/2" NPT	1
42	G01989-1-8	Post Bearing 1/2" Dia x 1/2" Long	4
43	1592008**	Handle Overlay	1
	1799401	Handle Overlay	1
44	2567400	Bracket - SR Salamander (Black)	2 (Std)
	2567401	Bracket - SR Salamander (S/S)	2 (Opt)
45	2571800	Front Panel (Black)	1 (Std)
	2571801	Front Panel (S/S)	1 (Opt)
46	2571900	Main Back	1 (Std)
	2571901	Main Back (S/S)	1 (Opt)
47	2541000	7/16 Dia Tubing Valve - Orifice LT	1
48	2200199	Flame Failure Valve	2
49	2198102	Valve Connector Fitting 10mm	2
50	2155202	M8X1 Brass Nut -Thermocouple	4
51	2542000	Valve Extension Block	2
52	G03674-3	Valve-Pilot 1/4" 90°	2
53	G01243-1	Fitting-7-16" CC x 1/4" NPT	2
54	2541200	7/16" Dia Tubing Valve - Orifice RT	1
55	2536000	1/4" Dia Tubing Pilot - FF RT	1
56	2321902	Thermocouple 23-1/2"	2
57	2554501	Thermocouple Support Bracket - LT	1
	2554500	Thermocouple Support Bracket - RT	1
58	2536100	1/4" Dia Tubing Pilot - FF LT	1

\* NOT ILLUSTRATED

#### **RECOMMENDED STOCK PARTS**

## **NOTES**



## GARLAND PARTS IDENTIFICATION

### Master Series

### Gas Infra-Red Salamander Broiler

### Model: MSTSR16-288

ITEM	PART #	DESCRIPTION	QUANTITY
			MODEL
1	G01377-1-6	Main Top Back	1 (Std)
	G01377-1-9	Main Top Back	1 (Opt)
2	G01376-1-6	Main Top Centre	1 (Std)
	G01376-1-9	Main Top Centre	1 (Opt)
3	G01375-1-9	Main Top Front	1
4	2572100	Infra Red Burner	2
5	2564200	Flue Back	1
6	G01371-1-6	Orifice Fitting Cover	2
7	G012747-1	Front Bearing	2
8	G01247-1-8	Washer Bearing	2
9	2540398**	Valve Housing Assy LH	1
	2540398**	Valve Housing Assy RH	1
	2592798	Valve Housing Assy LH	1
	2592799	Valve Housing Assy RH	1
10	2576200	Valve Housing Retainer	2
11	2541998	Manifold Housing Bottom LH	1
	2541999	Manifold Housing Bottom RH	1
12	2540800	Bottom Cover	1 (Opt)
13	2580200	Front Brace	1
14	2203400	Cnt. Sunk 1/8" NPT Hex Plug	4
15	G02251-1	Pressure Test Spigot	2
16	241799	Manifold Assembly	1
17	G01477-9	Nipple 1/2" NPT x 18" Long	1
18	2567999	Sub-Manifold Assembly	1
19	G01474-2	Elbow - 1/2" NPT	1
20	G01477-10	Nipple 1/2" NPT x 1-1/2" Long	1
21	2564400**	Front Frame	1
	2593100	Front Frame	1
22	2522116	Knob	2
23	2193100**	Door Handle	1
	2193101	Door Handle	1
24	2559101	Door Handle End LT	1
	2559100	Door Handle End RT	1
25	2580600	Door Handle End Insert	2
26	2540600**	Rack Veneer	1
	2592600	Rack Veneer	1
27	2540600**	Grease Tray	1
	2601300	Grease Tray	1
28	2540700	Grease Tray Front	1
29	G01244-1	Bearing	4
30	2540199**	Rack Frame & Grease Chute Assy	1
	2590399	Rack Frame & Grease Chute Assy	1
30A	G02468-01-5	Half Round Rack	2
31	G01247-3	Rear Bushing	2
32	G02469-01-81	Roller Guide Assembly RH	1
	G02469-01-82	Roller Guide Assembly LH	1
33	G01477-2	Nipple 1/2" NPT x 4-1/8" Long	2
34	2554600	Cover Plate	2
35	2554800	Orifice Fitting Shim	2

\* NOT ILLUSTRATED

#### **RECOMMENDED STOCK PARTS**

## GARLAND PARTS IDENTIFICATION

### Master Series

### Gas Infra-Red Salamander Broiler

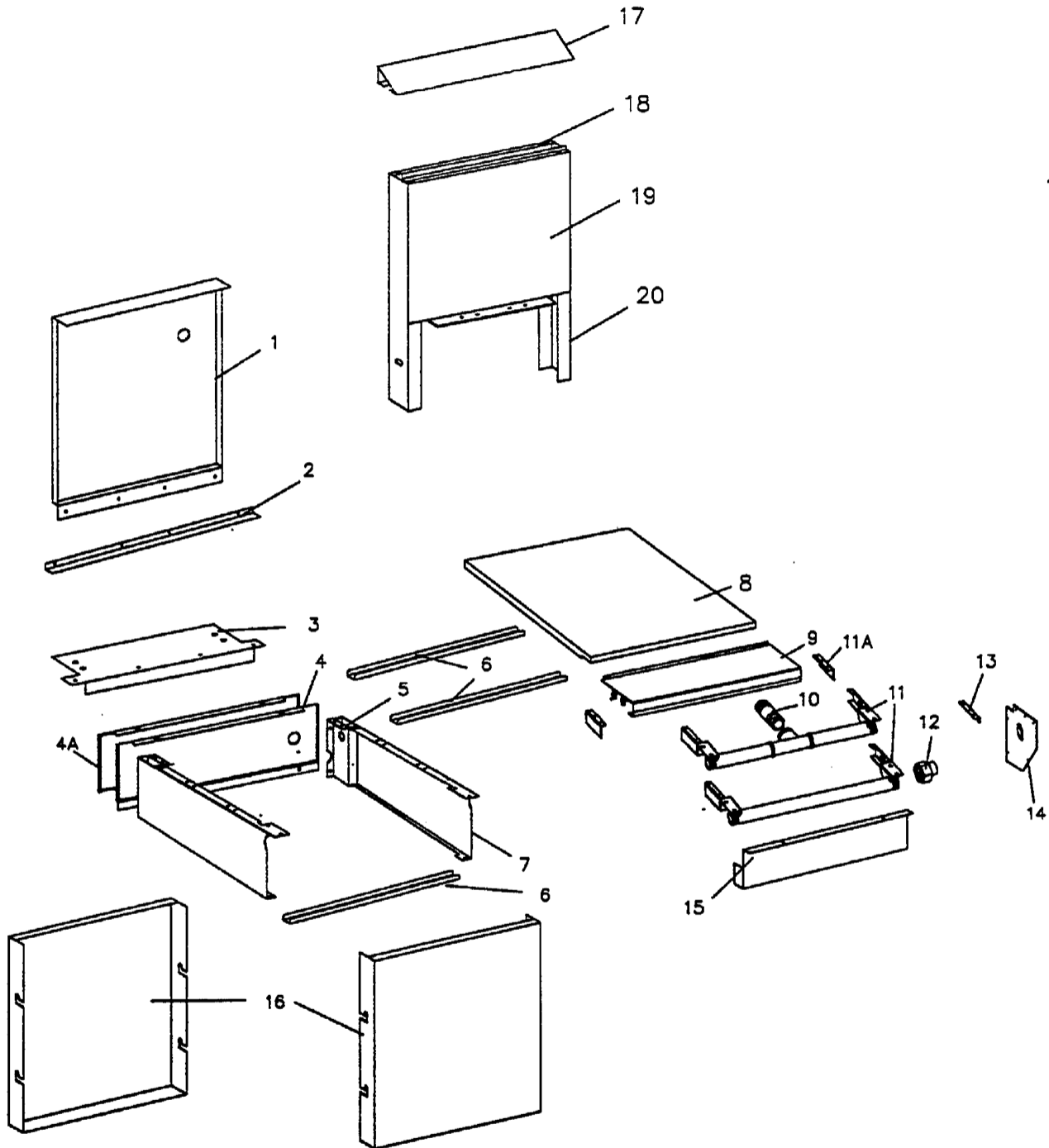
### Model: MSTSR16-288

ITEM	PART #	DESCRIPTION	QUANTITY
			MODEL
36	G01267-5	Pilot Burner	2
36A	G01267-2	Pilot Orifice (Natural)	2
	G01267-3	Pilot Orifice (Propane)	2
37	G01411-	Orifice Fitting- Natural	2
	G01411-	Orifice Fitting- Propane	2
39	2542100	Side Liner RH	1
	2542101	Side Liner LH	1
40	2567300	Main Side RH (Black)	1 (Std)
	2567302	Main Side RH (S/S)	1 (Opt)
	2567301	Main Side LH (Black)	1 (Std)
	2567303	Main Side LH (S/S)	1 (Opt)
41	G01476-1	Tee 1/2" NPT	1
42	G01989-1-8	Post Bearing 1/2" Dia x 1/2" Long	4
43	1592007**	Handle Overlay	1
	1799401	Handle Overlay	1
44	2571503	Left Bracket-Painted	1 (Std)
	2571502	Left Bracket-S/S	1 (Opt)
	2571500	Right Bracket - S/S	1 (Std)
	2571501	Right Bracket - Painted	1 (Opt)
45	2571600	Front Panel- Painted	1 (Std)
	2571601	Front Panel- Stainless	1 (Opt)
46	2571700	Main Back	1 (Std)
	2571701	Main Back - Stainless	1 (Opt)
47	2541000	7/16 Dia Tubing Valve - Orifice LT	1
48	2200199	Flame Failure Valve	2
49	2198102	Valve Connector Fitting 10 mm	2
50	2155202	M8X1 Brass Nut-Thermocouple	4
51	2544500	Valve Extension Block	2
52	G03674-3	Valve - Pilot 1.4" 90°	2
53	G01243-1	Fitting-7/16" CC X 1/4 NPT	2
54	2541200	7/16" Dia tubing Valve - Orifice RT	1
55	2536000	1/4" Dia Tubing Pilot - FF RT	1
56	2321902	Thermocouple 23-1/2"	2
57	26554501	Thermocouple Support Bracket - LT	1
	26554500	Thermocouple Support Bracket - RT	1
58	2536100	1/4" Dia Tubing Pilot - FF LT	

\* NOT ILLUSTRATED

#### **RECOMMENDED STOCK PARTS**

## ***NOTES***





## GARLAND PARTS IDENTIFICATION

### Master Series

### Spreaders

### Models: M6 / 9 / 17 / 34SP

ITEM	PART #	DESCRIPTION	QUANTITY			
			MODEL			
			M6SP	M9SP	M17SP	M34SP
1	G01867-6-9	Main Back Veneer	1			
	G01867-9-9	Main Back Veneer		1		
	2601400	Main Back Veneer			1	
	2601403	Main Back Veneer Rear Gas			1	
	G01867-34-9	Main Back Veneer				1
2	G01491-6-6	Veneer Support Angle	1			
	G01491-9-6	Veneer Support Angle		1		
	G01491-17-6	Veneer Support Angle			1	
	G01491-34-6	Veneer Support Angle				1
3	2433104	Back Top	1			
	2433102	Back Top 9"		1		
	2433100	Back Top 17"			1	
	2433103	Back Top 34"				1
4	2546404	Burner Box Back	1			
	2546413	Burner Box Back Rear Gas	1			
	2546403	Burner Box Back 9"		1		
	2546408	Burner Box Back 9" Rear Gas		1		
	2546401	Burner Box Back 17"			1	
	2546407	Burner Box Back 17" Rear Gas			1	
	2546400	Burner Box Back 34"				1
4A	G01780-6-9	Burner Box Back Veneer 6"	1			
	G01780-9-9	Burner Box Back Veneer 9"		1		
	G01780-17-9	Burner Box Back Veneer 17"			1	
	G01780-34-9	Burner Box Back Veneer 34"				1
5	1768398	Shelf Mtg Brkt LT	1	1	1	1
	1768399	Shelf Mtg Brkt RT	1	1	1	1
6	2433004	Spreader Plate Baffle	3			
	2433003	Spreader Plate Baffle 9"		3		
	2433001	Spreader Plate Baffle 17"			3	
	2433000	Spreader Plate Baffle 34"				3
7	1132804	Burner Box Side RT CRS	1	1	1	1
	1132803	Burner Box Side LT CRS	1	1	1	1
	1132801	Burner Box Side RT S/S	1	1	1	1
	1132800	Burner Box Side LT S/S	1	1	1	1
8	2542803	Spreader Plate M6SP	1			
	2542802	Spreader Plate M9SP		1		
	2542801	Spreader Plate M17SP			1	
	2542800	Spreader Plate M34SP				1
9	2570898	Front Rail Assy M6SP	1			
	2570899	Front Rail Assy M9SP		1		
	2426899	Front Rail Assy 17"			1	
	2190699	Front Rail Assy 34"				1
10	2539900	Nipple 2" NPT (Rear Gas)	1	1	1	1

\* NOT ILLUSTRATED

#### **RECOMMENDED STOCK PARTS**

## GARLAND PARTS IDENTIFICATION

Master Series

Spreaders

Models: M6 / 9 / 17 / 34SP

ITEM	PART #	DESCRIPTION	QUANTITY			
			MODEL			
			M6SP	M9SP	M17SP	M34SP
11	2543199	Manifold M6SP	1			
	2543198	Manifold M6SP Rear Gas	1			
	2530599	Manifold Assembly		1		
	2542698	Manifold Assy Rear Gas		1		
	2530699	Manifold Assy 17"			1	
	2542698	Manifold Assy Rear Gas			1	
	2530799	Manifold Assy 34"				1
11A	2542699	Manifold Assy Rear Gas				1
	2544100	Manifold Brkt Extension R/H	1	1	1	1
	2544101	Manifold Brkt Extension R/H	1	1	1	1
12	G7075	1-1/4" NPT Union	1	1	1	1
13	2207900	End Enclosure Supt Brk	2	2	2	2
14	2208000	End Enclosure RT	1	1	1	1
	2208001	End Enclosure LT	1	1	1	1
15	2561903	Valve Panel 6"	1			
	2561902	Valve Panel 9"		1		
	2561901	Valve Panel 17"			1	
	2561900	Valve Panel 34"				1
16	G1919-06-9	Front Enclosure Assy 6"	1			
	G1919-09-9	Front Enclosure Assy 9"		1		
	G1919-017-9	Front Enclosure Assy 17"			1	
	G1919-034-09	Front Enclosure Assy 34"				1
17	1790601	LP BG Flue Cap 34"				1
	1790602	LP BG Flue Cap 17"			1	
18	1816401	LP BG Back 17" AZ			1	
	1816402	LP BG Back 17" S/S			1	
	1816407	LP BG Back 34" AZ				1
	1816408	LP BG Back 34" S/S				1
19	1817301	LP Front Panel 17"			1	
	1817304	LP Front Panel 34"				1
20	1768599	LP BG Upright Assy S/W			2	2

\* NOT ILLUSTRATED

**RECOMMENDED STOCK PARTS**

## GARLAND PARTS IDENTIFICATION

### Master Series

### Spreaders

### Models: M6 / 9 / 17 / 34FE

ITEM	PART #	DESCRIPTION	QUANTITY			
			MODEL			
			M6FE	M9FE	M17FE	M34FE
1	G01867-6-9	Main Back Veneer	1			
	G01867-9-9	Main Back Veneer		1		
	2601400	Main Back Veneer			1	
	2601403	Main Back Veneer Rear Gas			1	
	G01867-34-9	Main Back Veneer				1
2	G01491-6-6	Veneer Support Angle	1			
	G01491-9-6	Veneer Support Angle		1		
	G01491-17-6	Veneer Support Angle			1	
	G01491-34-6	Veneer Support Angle				1
3	2433104	Back Top	1			
	2433102	Back Top 9"		1		
	2433100	Back Top 17"			1	
	2433103	Back Top 34"				1
4	2546404	Burner Box Back	1			
	2546413	Burner Box Back Rear Gas	1			
	2546403	Burner Box Back 9"		1		
	2546408	Burner Box Back 9" Rear Gas		1		
	2546401	Burner Box Back 17"			1	
	2546407	Burner Box Back 17" Rear Gas			1	
	2546400	Burner Box Back 34"				1
4A	2546406	Burner Box Back 34" Rear Gas				1
	G01780-6-9	Burner Box Back Veneer 6"	1			
	G01780-9-9	Burner Box Back Veneer 9"		1		
	G01780-17-9	Burner Box Back Veneer 17"			1	
5	G01780-34-9	Burner Box Back Veneer 34"				1
	1768398	Shelf Mtg Brkt LT	1	1	1	1
6	1768399	Shelf Mtg Brkt RT	1	1	1	1
	2433004	Spreader Plate Baffle	3			
	2433003	Spreader Plate Baffle 9"		3		
	2433001	Spreader Plate Baffle 17"			3	
7	2433000	Spreader Plate Baffle 34"				3
	1132804	Burner Box Side RT CRS	1	1	1	1
	1132803	Burner Box Side LT CRS	1	1	1	1
	1132801	Burner Box Side RT S/S	1	1	1	1
	1132800	Burner Box Side LT S/S	1	1	1	1
8	2542803	Spreader Plate M6SP	1			
	2542802	Spreader Plate M9SP		1		
	2542801	Spreader Plate M17SP			1	
	2542800	Spreader Plate M34SP				1
9	2570898	Front Rail Assy M6SP	1			
	2570899	Front Rail Assy M9SP		1		
	2426899	Front Rail Assy 17"			1	
	2190699	Front Rail Assy 34"				1
10	2539900	Nipple 2" NPT (Rear Gas)	1	1	1	1

\* NOT ILLUSTRATED

#### **RECOMMENDED STOCK PARTS**

## GARLAND PARTS IDENTIFICATION

Master Series

Spreaders

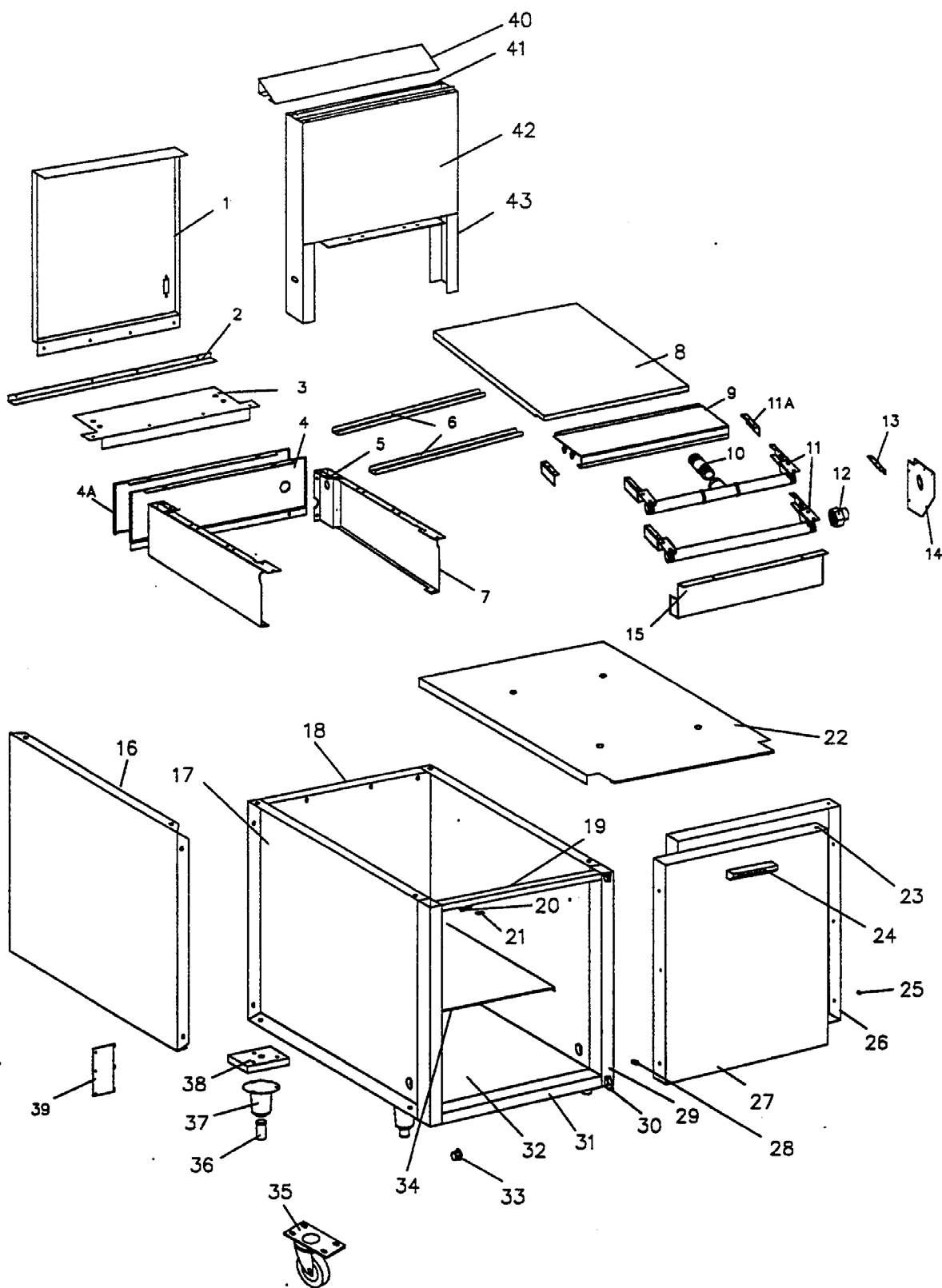
Models: M6 / 9 / 17 / 34FE

ITEM	PART #	DESCRIPTION	QUANTITY			
			MODEL			
			M6FE	M9FE	M17FE	M34FE
11	2543199	Manifold M6SP	1			
	2543198	Manifold M6SP Rear Gas	1			
	2530599	Manifold Assembly		1		
	2542698	Manifold Assy Rear Gas		1		
	2530699	Manifold Assy 17"			1	
	2542698	Manifold Assy Rear Gas			1	
	2530799	Manifold Assy 34"				1
11A	2544100	Manifold Brkt Extension R/H	1	1	1	1
	2544101	Manifold Brkt Extension R/H	1	1	1	1
12	G7075	1-1/4" NPT Union	1	1	1	1
13	2207900	End Enclosure Supt Brk	2	2	2	2
14	2208000	End Enclosure RT	1	1	1	1
	2208001	End Enclosure LT	1	1	1	1
15	2561903	Valve Panel 6"	1			
	2561902	Valve Panel 9"		1		
	2561901	Valve Panel 17"			1	
	2561900	Valve Panel 34"				1
16	G1919-06-9	Front Enclosure Assy 6"	2			
	G1919-09-9	Front Enclosure Assy 9"		2		
	G1919-017-9	Front Enclosure Assy 17"			2	
	G1919-03409	Front Enclosure Assy 34"				2
17	1790601	LP BG Flue Cap 34"				1
	1790602	LP BG Flue Cap 17"			1	
18	1816401	LP BG Back 17" AZ			1	
	1816402	LP BG Back 17" S/S			1	
	1816407	LP BG Back 34" AZ				1
	1816408	LP BG Back 34" S/S				1
19	1817301	LP Front Panel 17"			1	
	1817304	LP Front Panel 34"				1
20	1768599	LP BG Upright Assy S/W			2	2

\* NOT ILLUSTRATED

**RECOMMENDED STOCK PARTS**

## **NOTES**



## GARLAND PARTS IDENTIFICATION

### Master Series

### Storage Cabinets

### Models: M12ES, M17ES

ITEM	PART #	DESCRIPTION	QUANTITY	
			MODEL	
			M12ES	M17ES
1	2550300	Main Back Veneer M12	1	
	2601402	Main Back Veneer		1
2	G01491-17-6	Veneer Back Support Angle	1	
3	2433101	Back Top 12"	1	
	2433100	Back Top 17"		1
4	1788501	Burner Box Back M12	1	
	1788504	Burner Box Back 12" Rear Gas	1	
	2546701	Burner Box Back 17"		1
	2546703	Burner Box Back Rear Gas		1
5	1768398	Shelf Mtg Brkt RT	1	1
	1768399	Shelf Mtg Brkt LT	1	1
6	2433002	Spreader Plate Baffle 12"	3	
	2433001	Spreader Plate Baffle 17"		3
7	1132804	Burner Box Side RT CRS	1	1
	1132806	Burner Box Side LT CRS	1	1
	1132805	Burner Box Side RT S/S	1	1
	1132807	Burner Box Side LT S/S	1	1
8	2542804	Spreader Plate M12SP	1	
	2542801	Spreader Plate M17SP		1
9	2549699	Front Rail Assy M12	1	
	2426899	Front Rail Assy		1
10	2539900	Nipple 2" NPT	1	
11	2551299	Manifold Assy M12SP	1	
	2542696	Manifold Assy M12 Rear Gas	1	
	2530699	Manifold Assy 17"		1
	2530698	Manifold Assy Rear Gas 17"		1
11A	2544100	Manifold Extension Brkt RH	1	1
	2544101	Manifold Extension Brkt LH	1	1
12	G7075	1-1/4 NPT Union	1	1
13	2207900	End Enclosure Support Brkt	2	2
14	2208000	End Enclosure RT	1	1
	2208001	End Enclosure LT	1	1
15	2561904	Valve Panel 12"	1	
	2561901	Valve Panel 17"		1
16	G6196-1-8	Body Side	2	2
	G6196-1-9	Body Side S/S	2	2
17	2514400	Inner Side RH	1	1
	2514401	Inner Side LH	1	1
18	2549300	Main Back 12"	1	
	2524800	Main Back		1
19	2514696	Front Frame Assy	1	
	2514697	Front Frame Assy 17"		1
20	2529900	Magnet Support Bracket	1	1
21	078174-1	Magnetic Door Catch	1	1
22	2549200	Burner Box Bottom	1	
	2515200	Burner Box Bottom		1
23	G02973-2	Plastic Hole Plug 1/2"	2	2

\* NOT ILLUSTRATED

#### **RECOMMENDED STOCK PARTS**

## GARLAND PARTS IDENTIFICATION

### Master Series

### Storage Cabinets

### Models: M12ES, M17ES

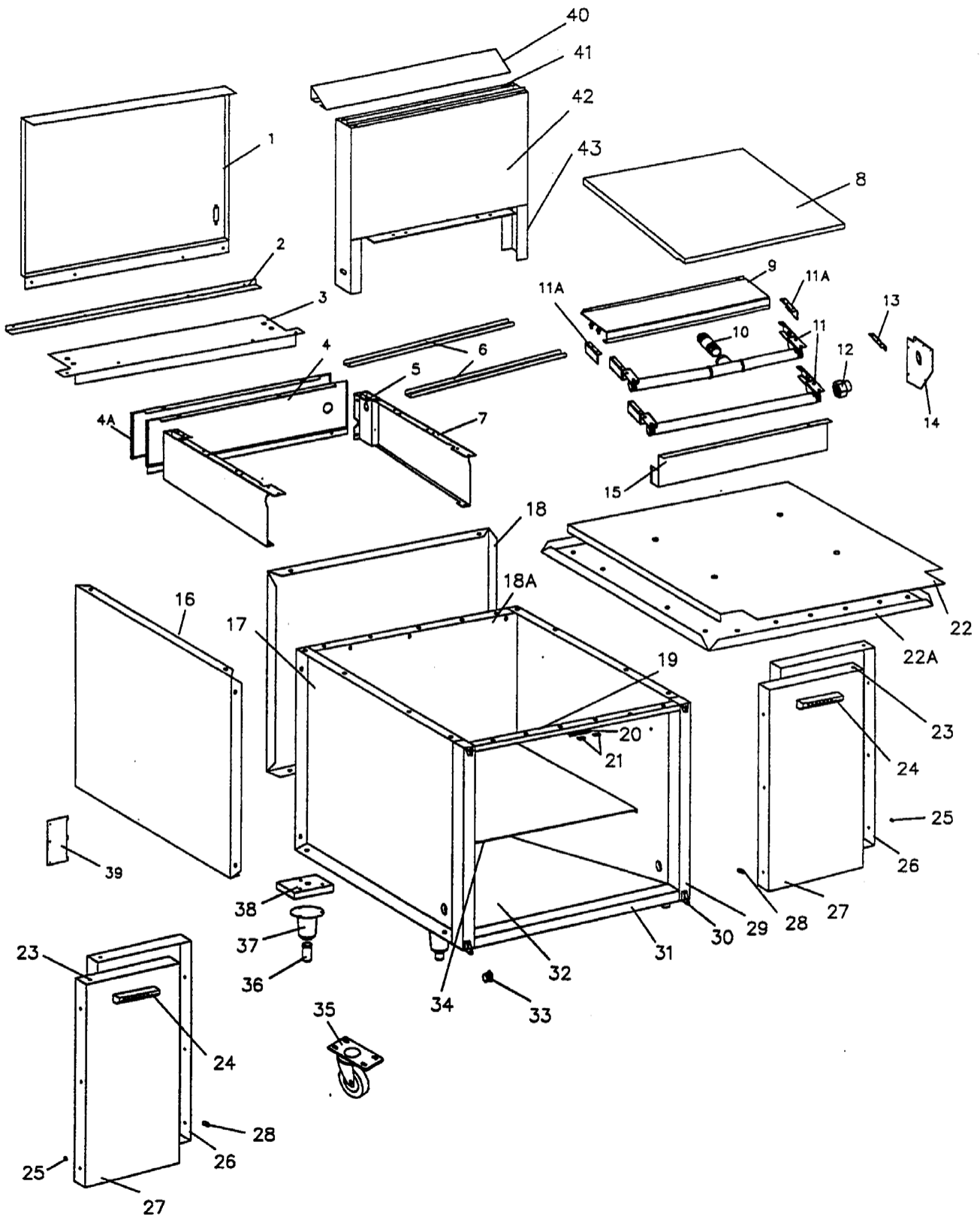
ITEM	PART #	DESCRIPTION	QUANTITY	
			MODEL	
			M12ES	M17ES
24	2192900	Storage Door Handle	1	1
25	2530900	3/8" Hole Plug	2	3
26	2549000	Door Liner (Up to 30-Jun-00 After 2549001	1	
	2193900	Door Lining		1
27	2548900	Door Panel	1	
	2193500	Door Panel		1
28	2327100	Door Stop Bumper	1	1
29	2530102	Corner Column LT	1	1
	2530103	Corner Column RT	1	1
30	2194598	Door Hinge Assy LH	1	1
	2194599	Door Hinge Assy LH	1	1
33	2530902	1.250 Hole Plug		2
34	2565700	Cabinet Shelf AZ		1
	2565701	Cabinet Shelf S/S		1
35	2063700	Swivel Caster Less Brake	2	2
	2063701	Swivel Caster With Brake	2	2
36	1150502	Bullet Legs	4	4
37	1027600	Leg Retainer Plated 6"	4	4
38	2167700	Base Corner	4	4
39	2143601	Wiring Access Cover	1	
40	1790602	LB BG Flue Cap 17"		1
41	1816401	LB BG Back 17"		1
	1816402	LB BG Back 17" S/S		1
42	1817301	LP Front Panel 17"		1
43	1768599	LP BG Upright Assy S/W		2

\* NOT ILLUSTRATED

#### **RECOMMENDED STOCK PARTS**



## ***NOTES***



## GARLAND PARTS IDENTIFICATION

### Master Series

### Spreader With Cabinet Doors

### Model: M34ES

ITEM	PART #	DESCRIPTION	QUANTITY
			MODEL
1	G01867-34-9	Main Back Veneer	1
2	G01491-34-6	Veneer Back Support Angle	1
3	2433103	Backtop 34"	1
4	1806101	Burner Box Back	1
	1806104	Burner Box Back Rear Gas	1
4A	G01870-34-9	Burner Box Back Veneer	1
5	1768398	Shelf Mounting Brkt RT	1
	1768399	Shelf Mounting Brkt LT	1
6	2433000	Spreader Plate Baffle 34"	3
7	1132804	Burner Box Side RT CRS	1
	1132805	Burner Box Side RT S/S	1
	1132806	Burner Box Side LT CRS	1
	1132807	Burner Box Side LT S/S	1
8	2542800	Spreader Plate 34"	1
9	2190699	Front Rail Assy	1
10	2539900	Nipple 2" NPT x 4"	1
11	2530799	Manifold Assy	1
	2542599	Manifold Assy Rear Gas	1
11A	2544100	Manifold Extension Brkt RT	1
	2544101	Manifold Extension Brkt LT	1
12	G7075	1-1/4" NPT Union	1
13	2207900	End Enclosure Brkt	2
14	2208000	End Enclosure RT	1
	2208001	End Enclosure LT	1
15	2561900	Valve Panel 34"	1
16	G6196-1-8	Body Side Black	2
	G6196-1-9	Body Side S/S	2
17	2513900	Cabinet Inner Side Lining RT	1
	2513901	Cabinet Inner Side Lining LT	
18	G6051-1-7	Main Back	1
18A	2514200	Storage Back Lining	1
19	2512898	Front Frame Assy	1
20	2544200	Magnetic Support Brkt Double	1
21	078174-1	Magnetic Door Catch	2
22	2512600	Burner Box Bottom	1
22A	2514100	Storage Top Lining	1
23	G02973-2	Plastic Hole Plug 1/2"	2
24	2192900	Storage Door Handle	2
25	2530900	3/8" Plastic Hole Plug	6
26	2193900	Door Lining Cabinet	2
27	2193500	Door Panel	2
28	2327100	Door Stop Bumper	2
29	2530002	Corner Column LT	1
	2530003	Corner Column RT	1
30	2194598	Door Hinge Assy LH	2
	2194599	Door Hinge Assy RH	2
31	2546502	Lower Front Channel Molding	1
32	G01031-1-7	Main Bottom	1

\* NOT ILLUSTRATED

#### **RECOMMENDED STOCK PARTS**

# GARLAND PARTS IDENTIFICATION

## Master Series

### Spreader With Cabinet Doors

Model: M34ES

ITEM	PART #	DESCRIPTION	QUANTITY
			MODEL
33	2530902	1-1/4" Hole Plug	2
34	2523000	Cabinet Shelf AZ	1
	2523001	Cabinet Shelf S/S	1
35	1027800	Caster Less Brake	2
	1027801	Caster C/W Brake	2
36	1150502	Bullet Legs	4
37	1027600	Leg Retainer Plated	4
38	2167700	Base Corner	4
39	2143601	Wire Access Cover	1
40	1790601	LP BG Flue Cap	1
41	1816407	LP BG Back 34" AZ	1
	1816408	LP BG Back 34" S/S	1
42	1817304	LP Front Panel 34"	1
43	1768599	LP BG Upright	2

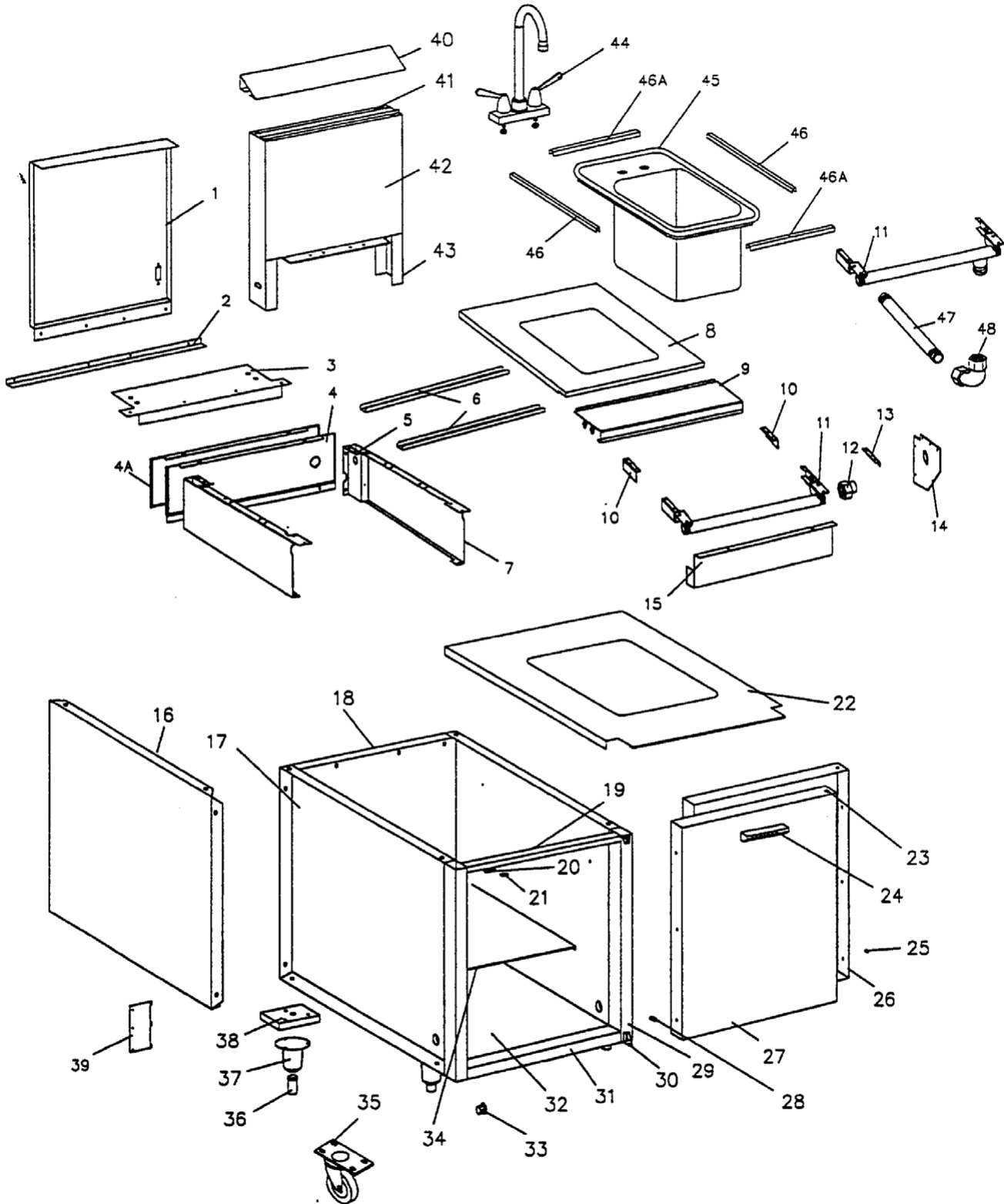
\* NOT ILLUSTRATED

#### **RECOMMENDED STOCK PARTS**

## **NOTES**



MASTER SERIES  
HEAVY DUTY SPREADER CABINET  
WITH SINK  
MODEL: M17ES-SINK



**GARLAND PARTS IDENTIFICATION**  
**Master Series**  
**Heavy Duty Spreader Cabinet With Sink**  
**Model: M17ES-SINK**

ITEM	PART #	DESCRIPTION	QUANTITY
			MODEL
1	26021400	Main Back Veneer	1
	26021401	Main Back Veneer (Rear Gas)	1
2	G01491-17-6	Veneer Back Support Angle	1
3	2433100	Back Top 17"	1
4	2546701	Burner Box Back 17"	1
	2546704	Burner Box Back Rear Gas (6)	2
5	1768398	Shelf Mtg Brkt RT	1
	1768399	Shelf Mtg Brkt RT	1
6	2433001	Spreader Plate Baffle 17"	1
7	1132804	Burner Box Side RT CRS	1
	1132806	Burner Box Side LT CRS	1
	1132805	Burner Box Side RT S/S	1
	1132807	Burner Box Side LT S/S	1
8	2578900	Spreader Plate M17ES Sink	1
9	2426899	Front Rail Assy	1
10	2544100	Manifold Brkt Extension RH	1
	2544101	Manifold Brkt Extension LH	1
11	2530697	Manifold Assy M17ES Sink	1
	2530698	Manifold Assy MFMA 40-RR Gas	1
12	G7075	1-1/4 NPT Union	1
13	2207900	End Enclosure Support Brkt	2
14	2208000	End Enclosure RT	1
	2208001	End Enclosure LT	
15	2561901	Valve Panel 17"	1
16	G6196-1-8	Body Side	2
	G6196-1-9	Body Side S/S	2
17	2514400	Inner Side RH	1
	2514401	Inner Side LH	1
19	2514697	Front Frame Assy 17"	1
20	2529900	Magnet Support Bracket	1
21	078174-1	Magnetic Door Catch	1
22	1059502	Burner Box Bottom	1
23	G02973-2	Plastic Hole Plug 1/2"	2
24	2192900	Storage Door Handle	1
25	2530900	3/8" Hole Plug	3
26	2193900	Door Lining	1
27	2193500	Door Panel	1
28	2327100	Door Stop Bumper	1
29	2530102	Corner Column LT	1
	2530103	Corner Column RT	1
30	2194598	Door Hinge Assy LH	1
	2194599	Door Hinge Assy RH	1
31	2546500	Lower Front Channel Molding	1
32	2515300	Main Bottom	1
33	2530902	1.250 Hole Plug	2
34	2565700	Cabinet Shelf AZ	1
	2565701	Cabinet Shelf S/S	1
35	2064700	Swivel Caster Less Brake	2
	2064701	Swivel Caster With Brake	2

\* NOT ILLUSTRATED

**RECOMMENDED STOCK PARTS**

**GARLAND PARTS IDENTIFICATION**  
**Master Series**  
**Heavy Duty Spreader Cabinet With Sink**  
**Model: M17ES-SINK**

ITEM	PART #	DESCRIPTION	QUANTITY
			MODEL
36	1150502	Bullet Legs	4
37	1027600	Leg Retainer Plated 6"	4
38	2167700	Base Corner	4
39	2143601	Wiring Access Cover	
40	1790602	LP BG Flue Cap 17"	1
41	1816401	LP BG Back 17"	1
	1816402	LP BG Back 17" S/S	1
42	1817301	LP Front Panel 17"	1
43	1768599	LP BG Upright Assy S/W	2
44	2578800	Faucet-Bar Sink	1
45	1818501	Sink 12-5/8 x 19	1
46	2579001	Bracket, Shink Hold Down Sides	2
46A	2579000	Bracket, Shink Hold Down Frt/Rr	2
47	076029-198	Nipple 1-1/4" NPT x 33" Long	1
48	2536300	1-1/4" 90 Degree Elbow	1

\* NOT ILLUSTRATED

**RECOMMENDED STOCK PARTS**



# GARLAND PARTS IDENTIFICATION

## Revision History

REV. #	PAGE #	ITEM #	NOTE	DATE
1	88	37B	New Part Added	Feb 23/07
2	8		New Drawing	Dec 04/09
	11	69	New Part Added	

## **NOTES**

## **NOTES**

 **Garland**<sup>®</sup>