



40/50 SERIES RANGES
(U.S. Built)

PARTS LIST

Toll Free Phone, (US & Canada): (800) 427-6668

Toll Free Fax, (US & Canada): (800) 361-7745

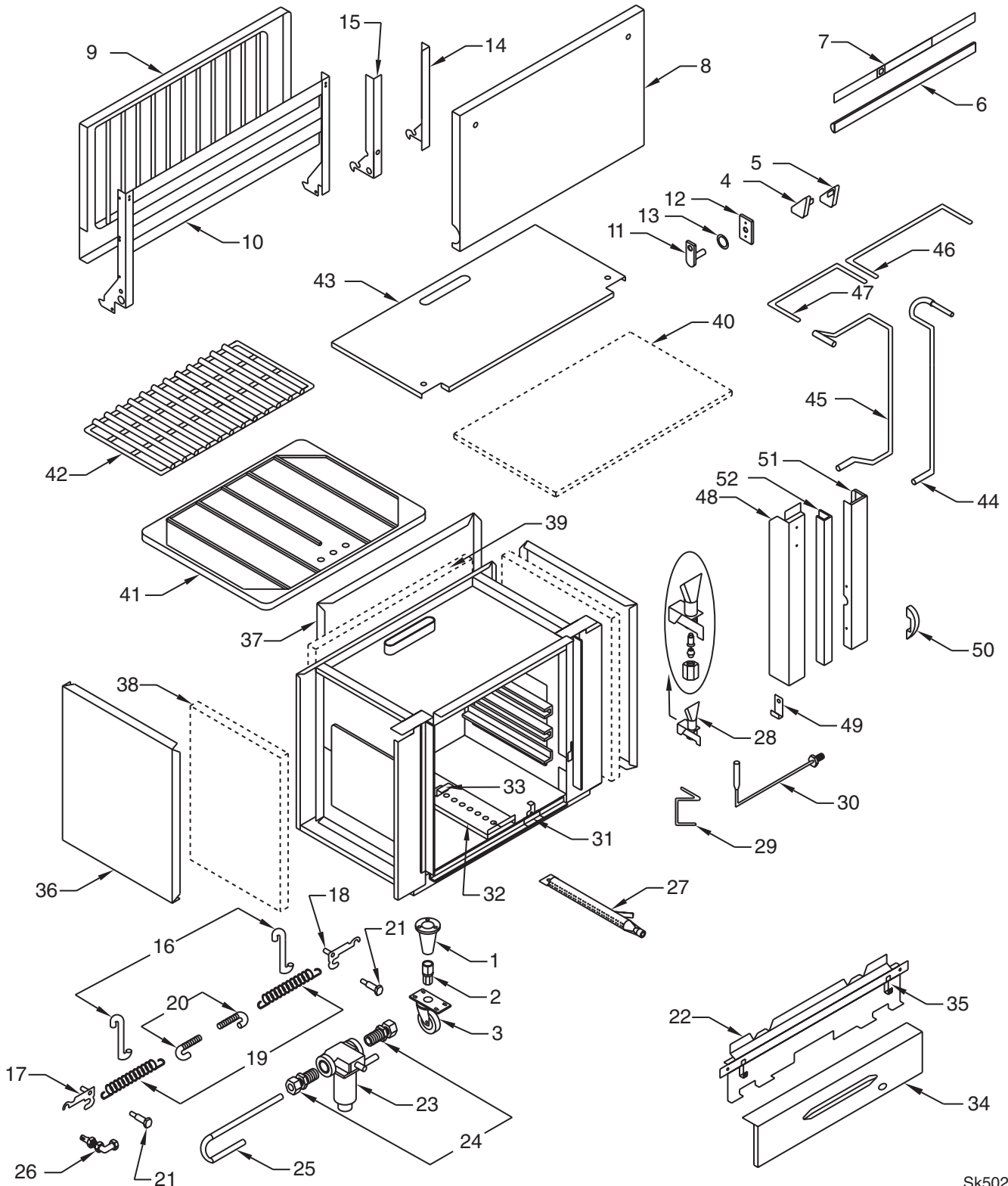
<http://www.garland-group.com>



40/50 SERIES RANGES ***(U.S. Built)***

Contents:

40/50 Series - Oven.....	Page 4
40/50 Series - Motor, RC Oven Parts	Page 8
40/50 Series - 43/40 Top	Page 10
40/50 Series - 44/40 Top Burner	Page 14
40/50 Series - 45/40 Top Burner.....	Page 16
40/50 Series - 46/47/48, 40 Top	Page 18



GARLAND PARTS IDENTIFICATION

40/50 Series Ranges

Oven

ITEM	PART #	DESCRIPTION	QUANTITY	FROM DATE	UP TO DATE
1	1027603	Leg Retainer	4		
2	1150501	Bullet Foot	4		
3	1027801	Caster W/Brake	2		
	1027800	Caster W/O Brake	2		
4	CK137	Oven Door Assy Complete S/S (Items 3 to 10)	1		
	9003701	Handle End Left (New Style Only)	1		
5	9003700	Handle End Right (New Style Only)	1		
	1594300	Hex HD Screw (New Style Only)	2		
6	1589100	Extruded Handle G/G (New Style Only)	1		
7	1592000	Handle Overlay (New Style Only)	1		
8	1080714	Door Panel S/S	1		
9	1439796	Door Lining GCE	1		
10	G03984-03-8	Door Insert	1		
11	1082500	Door Trunnion	2		
12	1083001	Trunnion Support	2		
13	1082700	Harness Ring	2		
14	G01014-1-81R	Door Hinge Right	1		
15	G01014-1-82R	Door Hinge Left	1		
16	1082802	Hinge Link	2		
17	1082198	Bell Crank Left	1		
18	1082199	Bell Crank Right	1		
19	1005800	Door Spring	2		
20	9004701	J-Bolt	2		
21	GF299	Bell Crank Bolt	2		
22	1082001	Lower Front Plate	1		
23	1415702	Baso Safety Valve (Used From SN 303233)	1	3/90	
	1027000	TS11 Safety Valve (OBS, AVAIL)	1	1958	1990
24	1095499	Straight Connector	2		
25	1392500	7/16 Cooper Tube Safety To Orifice	1		
26	1028981	Oven Orifice Assy Nat (1	3/90	
	M9-35	Orifice Hood Nat #35			
	1028984	Oven Orifice Assy LP	1	3/90	
	M9-52	Orifice Hood LP #52			
	1088286	Oven Orifice Assy Nat	1	1972	1990
	M9-30	Orifice Hood Nat #30			
26	1088298	Oven Orifice Assy LP	1	1972	1990
	M9-51	Orifice Hood LP #51			
27	1028197	Burner Only W/Air Shutter	1		
28	1028299	Oven Pilot Assy Nat	1	1972	
	F810-0126	Pilot Bell Nat			
	1028298	Oven Pilot Assy LP	1	1972	
	1028207	Pilot Bell LP			
	M245	Compression Nut 3/16"	1		
	M246	Ferrule 3/16"	1		
29	1028708	3/16 x 8 Aluminum Tubing	1		
30	1019418	Thermocouple	1	1972	
	1191300	Mini Pilot		1958	1972
31	1361000	Orifice Bracket	1	1990	
32	1361600	Burner Rest Support	1	1990	
33	1391400	Rear Burner Mounting Bracket	1		
34	1081401	Lower Front Panel S/S	1		
35	1363299	Lower Support Bracket	1		

* NOT ILLUSTRATED

RECOMMENDED STOCK PARTS

GARLAND PARTS IDENTIFICATION

40/50 Series Ranges

Oven

ITEM	PART #	DESCRIPTION	QUANTITY	FROM DATE	UP TO DATE
36	1131301	Body Side Left Painted	1		
	1131303	Body Side Left S/S	1		
	1131300	Body Side Right Painted	1		
	1131302	Body Side Right S/S	1		
37	G6051-1-7	Mainback	1		
38	GM2	Insulation (Side - 30 1/2"x22 1/2"x2 1/2")	2		
39	GM26	Insulation (Mainback - 28"x21"x1")	1		
40	1473205	Insulation (Top - 32x28"x2") "	1		
41	1438485	Oven Bottom Assy	1		
42	1132500	Oven Rack 25 1/2"x26"	1		
43	1132699	Burner Box Bottom	1		
44	1154800	Tubing from Stat to Safety (Models 42, 44, 45)	1		
45	1133800	Tubing from Stat to Safety (Models 43, 46, 47, 48)	1		
46	1156500	Tubing from Oven Valve to Stat (Models 42, 44, 45)	1		
47	1153300	Tubing from Oven Valve to Stat (Models 43, 46, 47, 48)	1		
48	1006197	Grease Container	1		
49	1159300	Grease Container Stop	1		
50	1083201	Handle	1		
51	1131403	Front Corner Column Left S/S (Except Models 47 & 48)	1		
	1131402	Front Corner Column Right S/S	1		
52	G6849-1-9	Corner Column S/S (Models 47 & 48 only)	1		
	1332600	Front Column Left S/S (Models 47 & 48 only)	1		

Optional Storage Base W/Doors *

*	1088088	Door Assy Right S/S	1		
	1080891	Door Assy Left S/S	1		
	G02163091	Door Strike (On Door)	2		
	2671600	Door Catch (On Frame)	2		
	1131594	Upper Door Support	1		
	1083798	Lower Door Support	1		

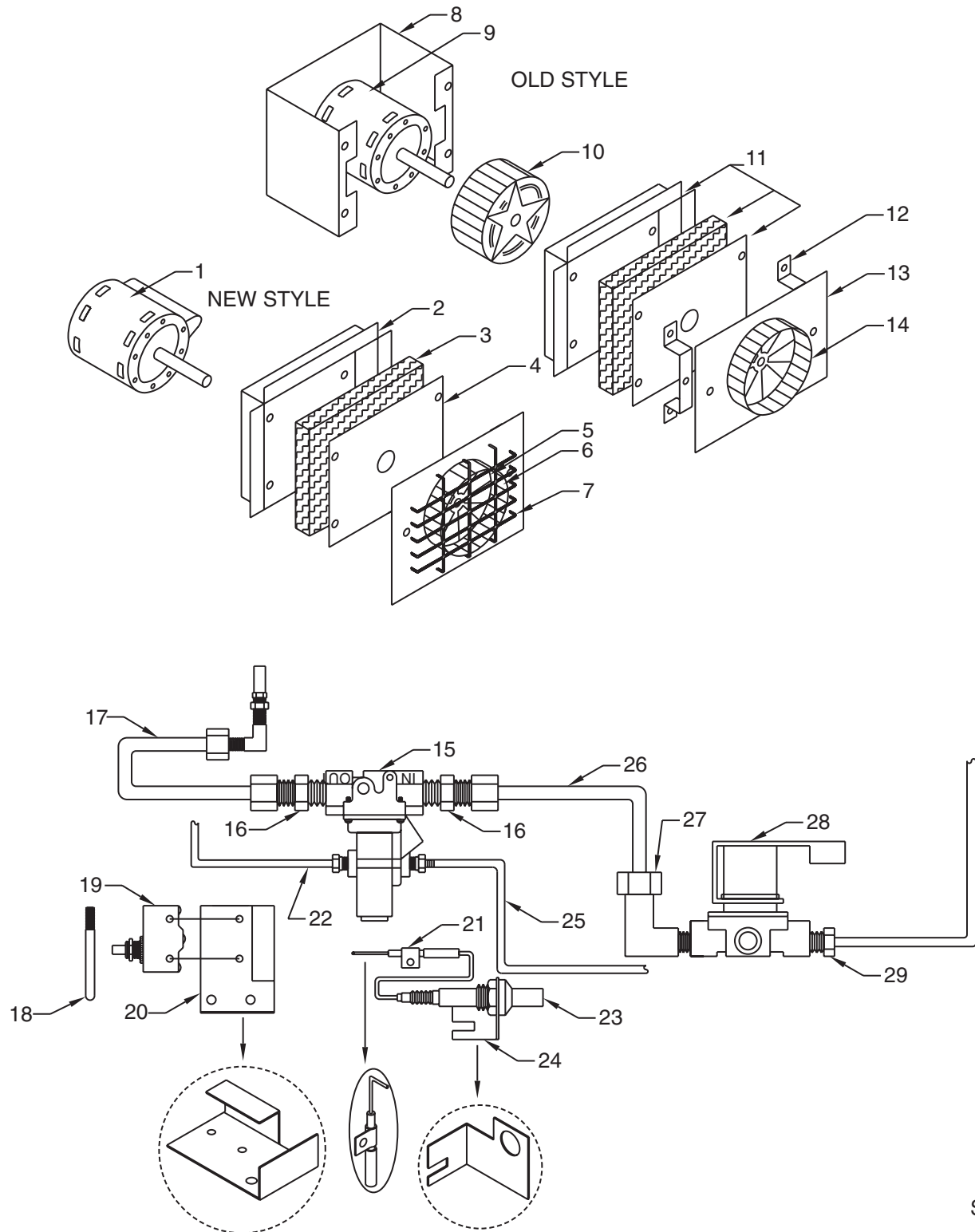
Optional Battery Finish Parts*

*	1183500	Manifold End Cap			
	1331801	Left Cover S/S			
	1331800	Right Cover S/S			
	1331802	Cover Mounting Bracket			
	1183901	Common Front Column Range to Range (Battery)			

* NOT ILLUSTRATED

RECOMMENDED STOCK PARTS

NOTES



Sk5021
REV 0
GPS99-4050-Motor, RC Oven Parts

GARLAND PARTS IDENTIFICATION

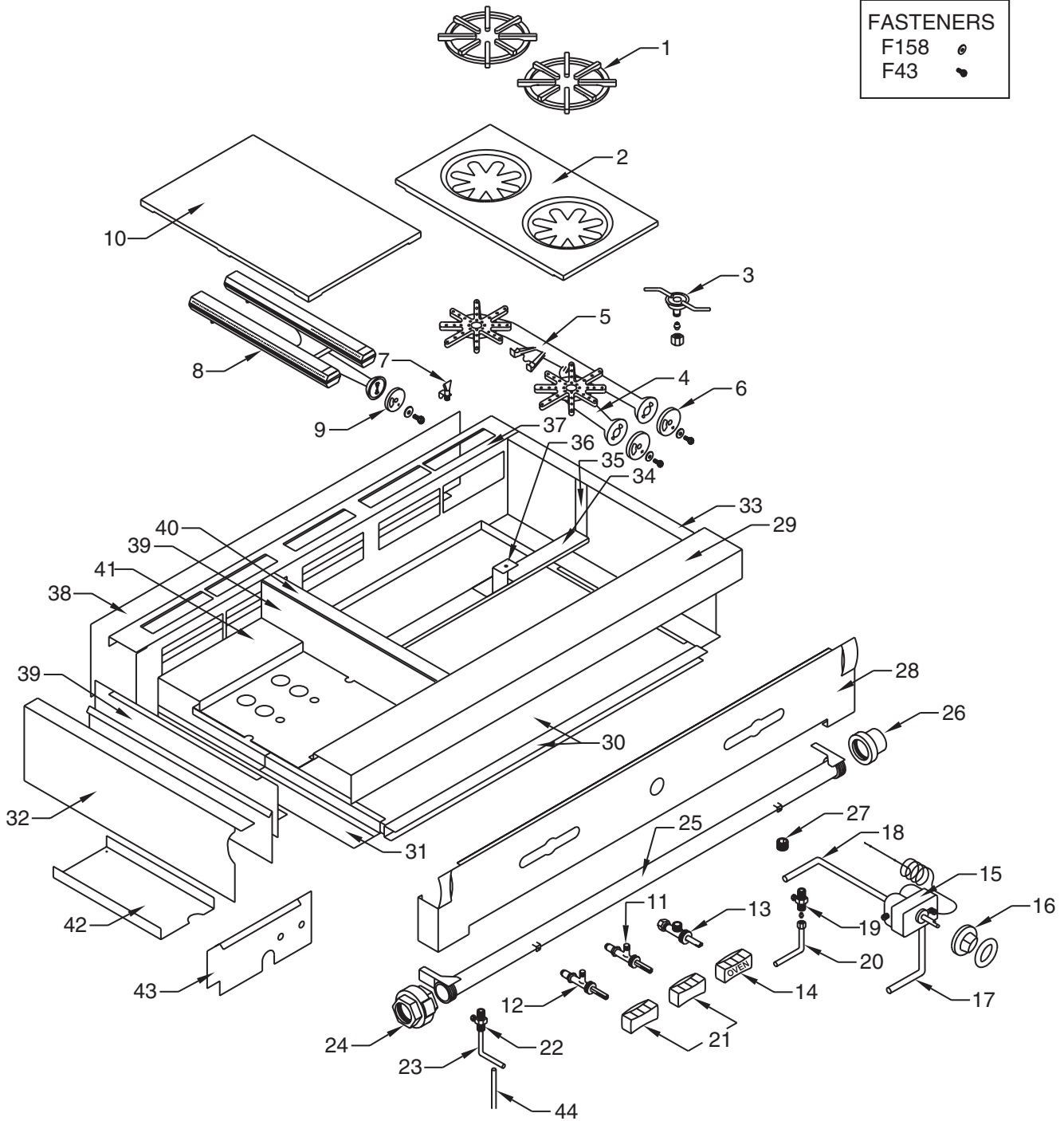
40/50 Series Ranges

Motor/RC Oven Top

ITEM	PART #	DESCRIPTION	QUANTITY	FROM DATE	UP TO DATE
Items 1 through 7 - New Style Motor Assy (Used from 10/16/90)					
1	2485801	Motor	1		
2	1311400	Motor Mount Pocket	1		
3	1309072	Pocket Insulation	1		
	1669100	Thermstop Heat Shield	1		
4	1311300	Motor Mount Plate	1		
5	1636900	Inlet Ring	1		
6	G02952-01P	Blower Wheel	1		
7	1014500	Inlet Cover Screen	1		
	1031901	Thumb Screws	2		
Items 8 through 14 - Old Style OBS/AVAIL (Used before 10/16/90)					
8	1321000	Motor Mount Bracket	1		
9	1003031	Motor	1	08-Oct-85	16-Oct-90
	1003021	Motor	1		08-Oct-90
10	1025360	Outer Blower Wheel	1		
11	1311399	Motor Mount Assy	1		
12	1361299	Air Baffle Support	2		
13	1313099	Air Baffle	1		
14	1270301	Inner Blower Wheel	1		
Standard RC Oven Parts					
15	1415702	Baso Safety Valve	1	16-Oct-90	
	1027000	TS11 Safety Valve	1		16-Oct-90
16	1095499	Straight Connect Assy 3/8x7/16 CC	2		
17	1028708	Alum. Tubing 3/16	1		
18	1120301	Activator Pin Weld Stud	1		
19	1019600	Micro Switch	1		
20	1386000	Micro Switch Mounting Bracket	1		
21	G03151-1	Electrode W/Wire	1		
	1399500	Electrode Mounting Bracket	1		
22	1392500	Pilot Tube	1		
23	1309201	Spark Ignitor	1		
24	1413200	Ignitor Bracket	1		
25	1019418	Thermocouple	1		
26	1312300	Tubing - Safety to Solenoid	1		
27	1027499	Connector	1		
28	G02965-1	Solenoid	1		
29	1095499	Straight Connector	1		
No Pictorial Listed for the following RC Oven Components*					
*	1032400	RC Oven Thermostat	1		
	G02716-1	Oven Dial	1		
	G02725-17	Oven Dial Insert	1		
	1314200	Dial Protector	1		
	1006496	Amber Pilot Light	1		
	1019207	Rocker Switch	1	16-Oct-90	
	1019203	Rocker Switch	1		16-Oct-90
	1029501	Power Cord	1		
	1311100	Rack Guide Left	1		
	1311101	Rack Guide Right	1		
	2301200	Oven Rack	3		
	1015799	Capillary Tube Guard	1		
	1312801	Corner Colum Right S/S	1		
	1312803	Corner Column Left S/S	1		

* NOT ILLUSTRATED

RECOMMENDED STOCK PARTS



FASTENERS	
F158	
F43	

Sk5022
REV. 0
GPS99-4050-43, 40 TOP

GARLAND PARTS IDENTIFICATION

40/50 Series Ranges

43/40 Top

ITEM	PART #	DESCRIPTION	QUANTITY		FROM DATE	UP TO DATE
			43-40R	-1 HOT TOP (OPTION)		
1	G6214	Ring Grate Cast Iron Std	6			
	G5429E	Ring Grate Black Porcelain (OBS, AVAIL.)	6			18-Oct-93
2	G6212	Top Grate Cast Iron Std	3		1-Nov-86	15-Oct-93
	1758701	Top Grate Cast (Opt 24k.)	3		18-Oct-93	
	1166502	Top Grate Black Porcelain (Obs, NLA. Must convert to cast G6212 C/W new rings G6214)	3			Oct-93
3	G7804-280	Top Burner Lighter Assy	3			
4	2217300	Top Burner - Front	3		18-Oct-93	
	1089200	Top Burner - Front		3		18-Oct-93
5	2217301	Top Burner - Rear	3		18-Oct-93	
	1089201	Top Burner - Front	3			18-Oct-93
6	1028000	Top Burner Air Shutter	6			
7	1415300	Hot Top Pilot Assy Nat		1		
	1028206	Pilot Bell Nat. 21				
	1415301	Hot Top Pilot Assy LP		1		
	1028207	LP Pilot Bell .011				
8	1014900	Hot Top Burner Assy		1		
9	1028002	Hot Top Burner Air Shutter				
10	G6272	Hot Top - Polished		1		
11	1046289	Hot Top Valve Nat		1		
	M8-36	Orifice Hood Nat #36				
	1046295	Hot Top Valve LP		1		
	M8-52	Orifice Hood LP #52				
12	1046295	Top Burner Valve Nat	6			
	M8-52	Orifice Hood Nat #52				
	G4447-57F	Top Burner Valve LP	6			
	M8-57	Orifice Hood LP #57				
13	1150399	Oven Valve Assy	1			
14	1089101	Valve Handle Oven	1			
15	G03145-048	FDO Stat W/Tube Nut	1			
	1017504	Tube Nut				
16	G02716-3	Oven Dial	1			
	G02725-16	Oven Dial Insert	1			
17	1133800	Tubing from T- Stat to Safety	1			
18	1153300	Tubing from Oven Valve to T- Stat	1			
19	1086199	Top Pilot Valve Assy	3			
20	1032617	Top Burner Pilot Tube	3			
21	1089100	Top Burner Valve Handle	3			
22	1086597	Pilot Adj. Valve Oven-Hot Top	1	2		
	M127	Nut 3/16"				
	M126	Ferrule 3/16"				
23	GM293	Pilot Tube 3/16" x 10" (Sold by the Foot)		1		
24	G7075	Pipe Union 1 1/4"	1			
25	1133297	Manifold Only	1			
26	1183500	Pipe Cap 1 1/4"	Opt			
27	2203400	Pipe Plug	1			
28	1153430	Valve Panel 43-40R	1			
	1153400	Valve Panel 43040T Only	Opt			
29	1006996	Front Top Assembly	1			
30	1153799	Drip Pan Assy Complete (Consists Of Parts Below)	1			
	1153800	Drip Pan Only 30-1/2" x 25-3/4"				
	1566100	Handle Pan Only				
31	1132699	Burner Box Bottom Assy	1			

NOTE: Parts for Hot Top Option Must Be Added As Required For Additional Tops

* NOT ILLUSTRATED

RECOMMENDED STOCK PARTS

GARLAND PARTS IDENTIFICATION
40/50 Series Ranges
43/40 Top

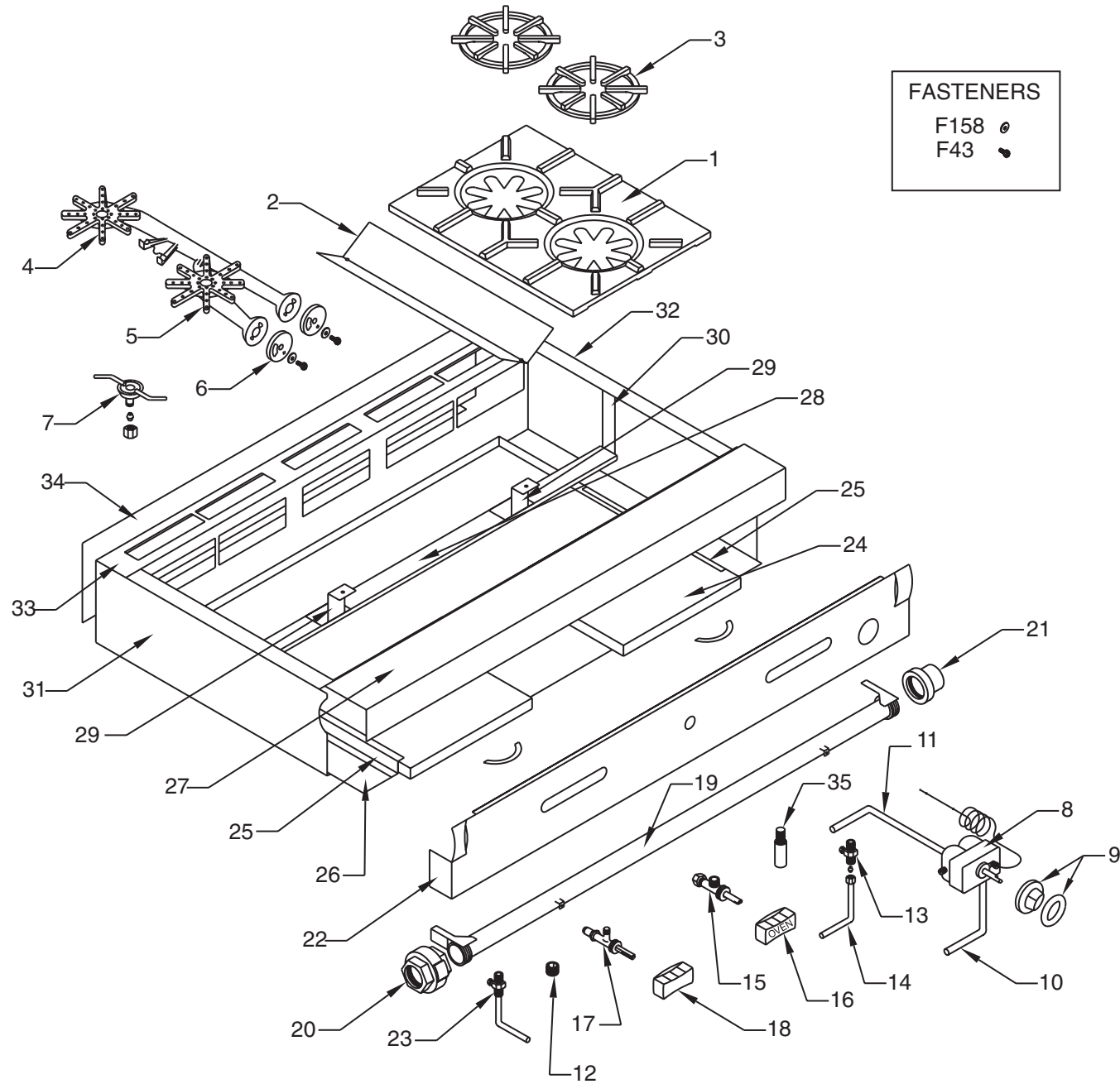
ITEM	PART #	DESCRIPTION	QUANTITY		FROM DATE	UP TO DATE
			43-40R	-1 HOT TOP (OPTION)		
32	1132806	Burner Box Side Lt. Black	1			
	1132807	Burner Box Side Lt. S/S	Opt			
33	1132804	Burner Box Side Rt. Black	1			
	1132805	Burner Box Side Rt. S/S	Opt			
34	1153200	Burner Rest	1			
35	G7340-1-8	Burner Rest Hanger	2			
36	1731501	Top Lighter Support	3		18-Oct-93	
	1388900	Top Lighter Support				18-Oct-93
37	1152403	Burner Box Back Top	1			
38	1132900	Burner Box Back	1			
39	1058201	Radiation Shield		2		
40	1166505	Top Grate Support	2	1		
41	1058400	Bottom Aeration Shield		1		
42	1058300	Center Aeration Shield used on - 2 Only				
43	1058500	Front Radiation Shield - 1 Only	1			
	1058502	Front Radiation Shield - 2 Only				
	1159000	Front Radiation Shield - 3 Only				
44	GM293	Oven Pilot Tubing 3/16" x 48" (Order by the Foot)		1		

NOTE: Parts for Hot Top Option Must Be Added As Required For Additional Tops

* NOT ILLUSTRATED

RECOMMENDED STOCK PARTS

NOTES



Sk5023
 REC.0
 GPS99-450-44, 50 Top Burner

GARLAND PARTS IDENTIFICATION

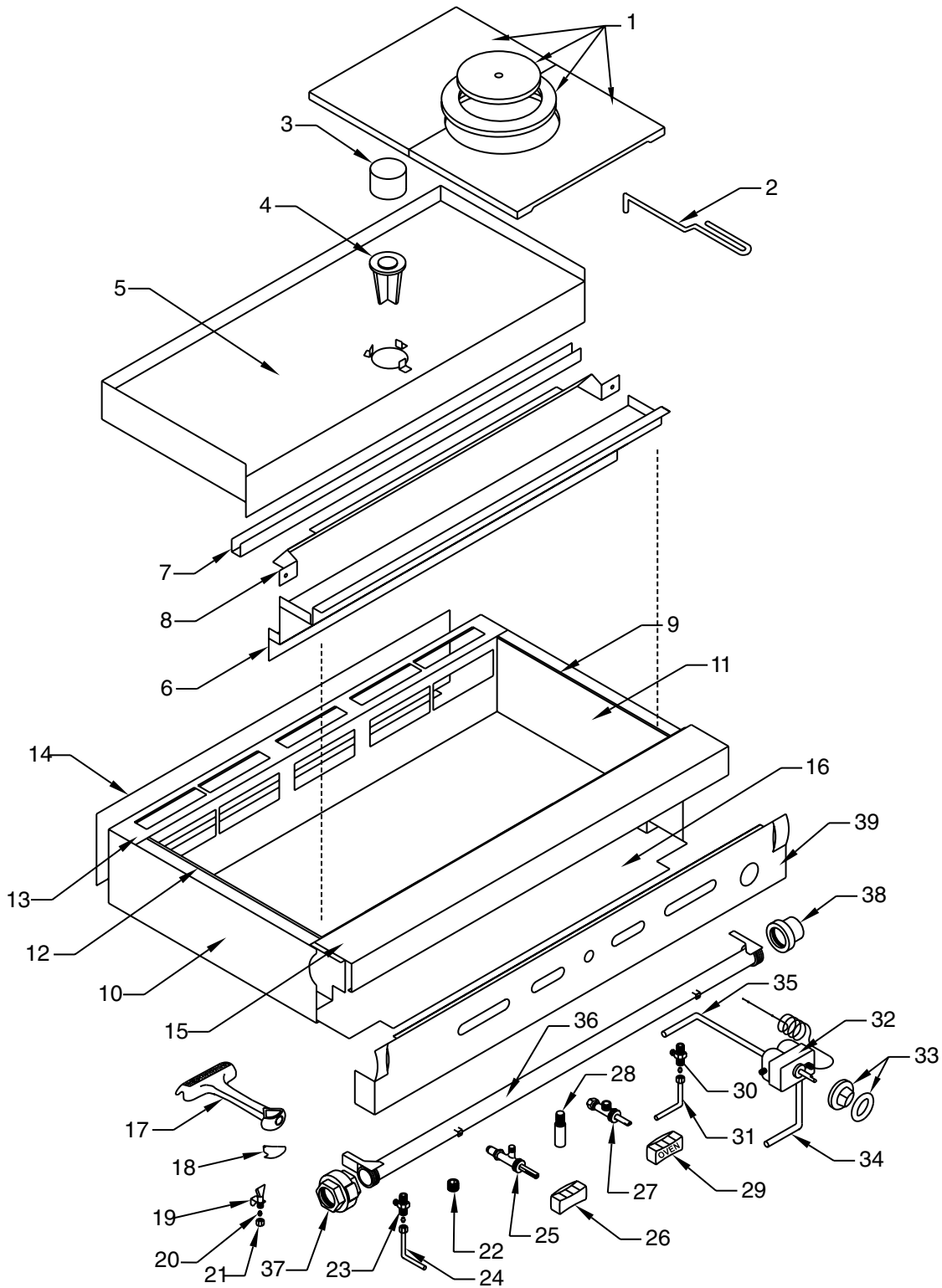
40/50 Series Ranges

44/40 Top Burner

ITEM	PART #	DESCRIPTION	QUANTITY	FROM DATE	UP TO DATE
1	G0595-1	Top Grate Std	2		
	1554200	Top Grate 30K BTU Only	Opt		
2	1154900	Drip Shield	1		
3	G0594-1	Ring Grate Std	4		
4	G6113	Rear Burner Std	2		
	1553900	Rear Burner 30K BTU	Opt	19-Oct-93	
5	G6107	Front Burner Std	2		
	1554000	Front Burner 30K BTU	Opt	19-Oct-93	
6	1028002	Top Burner Air Shutter	4		
7	G7804-44	Top Burner Lighter Assy	2		
8	G03145-048	FDO T-Stat	1		
	1017504	Tube Nut 7/16"x3/8"	2		
9	G02716-3	FDO Dial	1		
	G02725-16	Dial Insert	1		
10	1154800	Tubing from FDO to Safety	1		
11	1156500	Tubing from Oven Valve to T-Stat	1		
12	2203400	Pipe Plug	1		
13	1086199	Top Burner Pilot Valve	2		
14	1032617	Top Burner Pilot Tube	2		
15	1150399	Oven Valve Assy	1		
16	1089101	Oven Handle	1		
17	1046295	Top Burner Valve Nat	4		
	M8-52	Orifice Hood #52 Drill			
	1553499	Top Burner Valve Nat 30K BTU	Opt		
	1037741	Orifice Hood #41 Drill 30K			
	G4447-57F	Top Burner Valve LP	4		
	M8-57	Orifice Hood #57 Drill			
	1553498	Top Burner Valve LP 30K BTU	Opt		
18	1089100	Top Burner Handle	4		
19	1133296	Manifold Pipe Only	1		
20	G7075	Pipe Union 1 1/4"	1		
21	1183500	Manifold End Cap	Opt		
22	1155000	Valve Panel	1		
23	1086597	Oven Pilot Adj. Valve	1		
	GM293	Oven Pilot Tubing 3/16"	1		
24	1155699	Drip Pan Assy	2		31-Mar-92
	1155900	Drip Pan Front	2		31-Mar-92
	1083201	Drip Pan Handle	2		31-Mar-92
	1656900	Drip Pan	1	31-Mar-92	
	1656601	Drip Pan Handle	2	31-Mar-92	
25	1133000	Drip Pan Slide	4		
26	1132699	Burner Box Bottom	1		
27	1006996	Front Top Assy	1		
28	G6302-1-8	Burner Rest	1		
29	1388900	Top Lighter Support	2		
30	1154500	Burner Rest Support Std.	1		
	1553600	Burner Rest Support 30K	Opt		
31	1132806	Burner Box Left Black	1		
	1132807	Burner Box Left S/S	Opt		
32	1132804	Burner Box Right Black	1		
	1132805	Burner Box Right S/S	1		
33	1152403	Burner Box Top	1		
34	1132900	Burner Box Back	1		
35	1133600	Burner Valve Adapter	1		

* NOT ILLUSTRATED

RECOMMENDED STOCK PARTS



GARLAND PARTS IDENTIFICATION

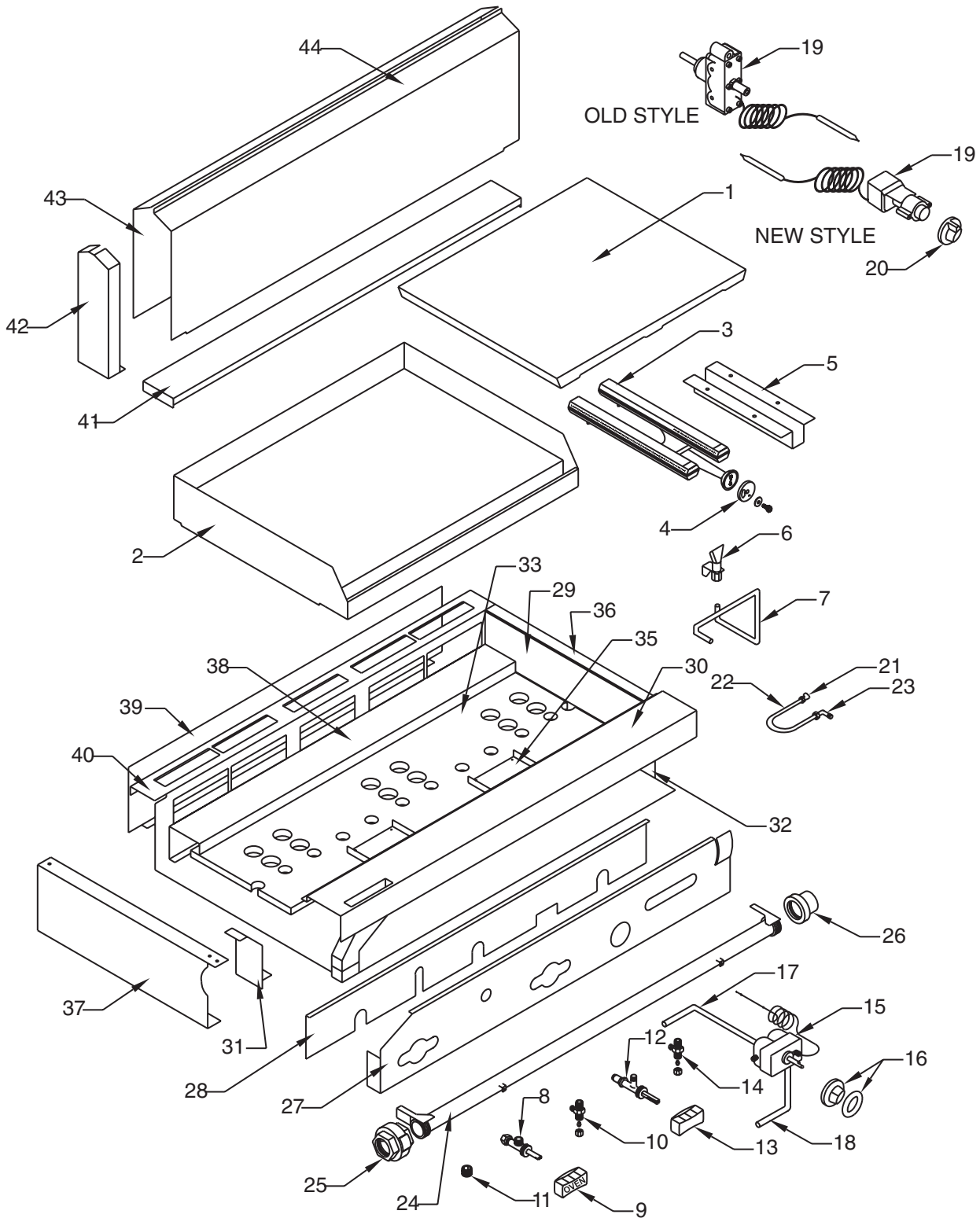
40/50 Series Ranges

45/40 Hot Top

ITEM	PART #	DESCRIPTION	QUANTITY	FROM DATE	UP TO DATE
1	G6117-01	Key Plate Set (Consists Of 4 Parts Not Sold Separately)	2		
	1152500	Back Top Cover 50 Series Only (Opt)*.	1		
	G0450-01-6	Fire Brick W/Hole			
2	1157700	Lid Lifter	1		
3	G01275-1	Key Plate Support Direct Replacement	1	Jun-90	
4	G02398-1	Post Support (OBS.)			Jun-90
5	G0450-01-6	Radiation Pan Assy	1		
	2340699	Radiation Pan Assy Opt 17" Unit Only			
6	2057400	Top Burner Housing	1		
	1156701	Top Burner Housing Opt 17" Only			
7	1156300	Burner Box Brick Post Support	1		
8	G0455-01-8	Top Burner Air Shield W/A	1		
9	1132804	Burner Box Side Rt. Black Std	1		
	1132805	Burner Box Side Rt. S/S Opt			
10	1132806	Burner Box Side Lt. Black Std	1		
	1132807	Burner Box Side Lt. S/S Opt			
11	1156699	Side Radiation Shield Rt.	1		
12	1156698	Side Radiation Shield Lt.	1		
13	1152403	Burner Box Back Top Black	1		
14	1132900	Burner Box Back Black	1		
15	1006996	Top Assy	1		
16	1132699	Burner Box Bottom	1		
17	G3575-36	Burner Assy W/Air Shutter	6		
18	1157500	Burner Air Shutter	6		
19	1415300	Burner Pilot Assy Nat	4		
	1028206	Pilot Bell Nat			
	1028207	Pilot Bell LP			
	1415301	Burner Pilot Assy LP	4		
20	M246	Ferrule 3/16" (Used on Pilot)			
21	M245	Nut (Used on Pilot)			
22	2203400	Pipe Plug	1		
23	1086597	Oven Pilot Adj. Valve	1		
24	GM293	Oven Pilot Tube 3/16"x48" (Order by the foot)	1		
25	1046287	Burner Valve Assy Nat	6		
	M8-51	Orifice Hood #51			
	G4447-63F	Burner Valve Assy LP	6		
	M8-63	Orifice Hood #63			
26	1089100	Top Burner Valve Handle	6		
27	1150399	Oven Valve Assy	1		
28	1133600	Oven Valve Adapter	1	1971	
29	1089101	Oven Valve Handle	1		
30	1086597	Pilot Adj. Valve	4		
31	1249300	Pilot Tube 3/16"x9 5/16"	4		
32	G03145-048	FDO T-Stat W/Tube Nut	1		
	1017504	Tube Nut 7/16ccx3/8" NPT	2		
33	G02716-3	Oven Stat Knob	1		
	G02725-16	Oven Stat Knob Insert	1		
34	1154800	Tubing from FDO to Safety	1		
35	1156500	Tubing from FDO to Oven Valve	1		
36	G0524-01	Manifold Pipe Only	1		
37	G7075	Pipe Union 1 1/4"	1		
38	1183500	Pipe Cap 1 1/4"	1		
39	1158300	Valve Panel 45-40R Only	1		

* NOT ILLUSTRATED

RECOMMENDED STOCK PARTS



Sk5025
REV.0

GPS99-4050-46-47-48, 40 Top

GARLAND PARTS IDENTIFICATION

40/50 Series Ranges

46/47/48, 40 Top

ITEM	PART #	DESCRIPTION	QUANTITY / EA UNIT			FROM DATE	UP TO DATE
			46	47	48		
1	G0552-1	Even Heat Top Polished	2				
2	1325086	Fry Top 34"		1			
	1325096	Fry Top 34"			1		
	1325489	Grease Chute*					
3	1014900	Griddle/Hot Top Burner	3	3	3		
4	1028002	Air Shutter	3	3	3		
5	1325600	Bulb Shield Inner			3		
	1325601	Bulb Shield Outer			3		
6	1415300	Pilot Burner Assy Nat	3	3	3		
	1028206	Pilot Orifice Bell .021					
	1415301	Pilot Burner Assy LP	3	3	3		
	1028207	Pilot Orifice Bell .011					
7	1676301	Pilot Tubing	3	3			
	1676302	Pilot Tubing			3		
8	1150399	Oven Valve Assy	1	1	1		
9	1089101	Oven Valve Handle	1	1	1		
10	1086597	Oven Pilot Adj.	1	1	1		
	GM293	Oven Pilot Tubing (Order By The Foot)	1	1	1		
11	2203400	Pipe Plug	1	1	1		
12	1046289	Griddle/Hot Top Valve Nat	3	3			
	M8-41	Orifice Hood #41					
	1046295	Griddle/Hot Top Valve LP	3	3	3		
	M8-52	Orifice Hood #52					
13	1089100	Knob	3	3			
14	1086597	Pilot Adj. Valve	3	3	3		
15	G03145-048	FDO Stat W/Tube Nuts	1	1	1		
16	G02716-3	Dial	1	1	1		
	G02725-16	Dial Insert 150-500 Degrees	1	1	1		
17	1153300	Tubing - Oven Valve to FDO T-stat	1	1	1		
18	1133800	Tubing - Stat to Safety	1	1	1		
19	1360200	BJWA - 3-1-C Stat (Used from Serial #247583)			3	Nov-86	
	1092197	UN Stat Nat (OBS, AVAIL.)			3		Nov-86
	1092196	UN Stat LP (OBS, AVAIL.)			3		Nov-86
20	1360201	BJWA Dial			3	Nov-86	
	G02716-2	Dial			3		Nov-86
	1314127	Insert			3		Nov-86
21	1028983	Burner Orifice Fitting for BJWA			3		
	M9-42	Orifice #42 Only					
	1028982	Burner Orifice Fitting for BJWA			3		
	M9-52	Orifice #52 Only					
22	1360500	Thermostat Tubing			3		
23	1027499	90 Degree Elbow			3		
24	1158689	Manifold Only			1		
	1158699	Manifold Only	1	1			
25	G7075	Pipe Union 1 1/4"	1	1	1		
26	1183500	End Cap	Opt	Opt	Opt		
27	1000100	Valve Panel	1				
	1000104	Valve Panel		1			
	1000005	Valve Panel			1		
28	1159000	Front Radiation Shield	1	1	1		
29	1318010	Lt. & Rt. Inner Insulation Pocket			2		
30	1006996	Front Top Assy	1				
31	1159201	Lt. Radiation Shield	1	1	1		
32	1159200	Rt. Radiation Shield	1	1	1		

* NOT ILLUSTRATED

RECOMMENDED STOCK PARTS

GARLAND PARTS IDENTIFICATION

40/50 Series Ranges

46/47/48, 40 Top

ITEM	PART #	DESCRIPTION	QUANTITY / EA UNIT			FROM DATE	UP TO DATE
			46	47	48		
33	G7326-3-6	Rear Radiation Shield	1	1	1		
35	1158800	Center Aeration Shield	3	3	3		
36	1132804	Black Burner Box Side Rt.	1	1	1		
	1132805	Burner Box Side Rt. S/S	Opt	Opt	Opt		
37	1132806	Black Burner Box Side Lt.	1	1	1		
	1132807	Burner Box Side Lt. S/S	Opt	Opt	Opt		
38	1158900	Burner Stop	1	1	1		
39	1132900	Burner Box Back	1	1	1		
40	1152403	Burner Box Back Top	1	1	1		
41	1152500	Back Top Cover Plate (50 Series Only)	Opt	Opt	Opt		

Note: Item # 30 - Part # 1325498 - Top Assy W/Grease Chute W/A - Front is Used On Models 47 & 48

34" Wide Backguard Assy (BGA)

42	1548403	Backguard Bracket Lt. & Rt.	2	2	2		Oct-89
43	1549620	Backguard Back 34" (BG)	1	1	1		Oct-89
44	1549221	Backguard Front S/S 34" (BG)	1	1	1		Oct-89

34" WIDE LOW PROFILE BACKGUARD (LPBG)

42	1548401	Backguard Bracket Lt. & Rt. (LPBG)	2	2	2	Oct-89	
43	1549604	Backguard Back	1	1	1	Oct-89	
44	1549205	Backguard Front S/S 34" (LPBG)	1	1	1	Oct-89	

34" Single Deck High Shelf 34 SDA*

	PART #	DESCRIPTION	QUANTITY	FROM DATE	UP TO DATE
*	1551099	High Shelf Bracket Rt. S/S	1	Oct-89	
	1551098	High Shelf Bracket Lt. S/S	1	Oct-89	
	1553010	Lower Front Panel S/S	1	Oct-89	
	1550802	SDHS Top Panel S/S	1	Oct-89	
	1549635	SDHS Back AZ 34"	1	Oct-89	

34" Double Deck High Shelf 34 DD-A *

*	1552310	High Shelf Bottom S/S	1	Oct-89	
	1552610	Upper Front Panel S/S	1	Oct-89	
	1553010	Lower Front Panel S/S	1	Oct-89	
	1552110	Hi Shelf Top S/S	1	Oct-89	
	1551900	Hi Shelf Side Enclosure Lt. S/S	1	Oct-89	
	1551901	Hi Shelf Side Enclosure Rt. S/S	1	Oct-89	
	1063600	Hi Shelf Bracket Veneer Rt. S/S	1	Oct-89	
	1063601	Hi Shelf Bracket Veneer Lt. S/S	1	Oct-89	
	1549652	Hi Shelf Back AZ	1	Oct-89	

Heavy Duty Optional Regulators*

*	1019013	Pressure Regulator Nat 1 1/4"			
	1019014	Pressure Regulator LP 1 1/4"			

* NOT ILLUSTRATED

RECOMMENDED STOCK PARTS

NOTES

NOTES

NOTES

 **GARLAND**[®]