



***MASTER SERIES***  
***XG36-JIB XPRESS GRILL GAS***

**PARTS LIST**

Toll Free Phone, (US & Canada): (800) 427-6668

Toll Free Fax, (US & Canada): (800) 361-7745

<http://www.garland-group.com>



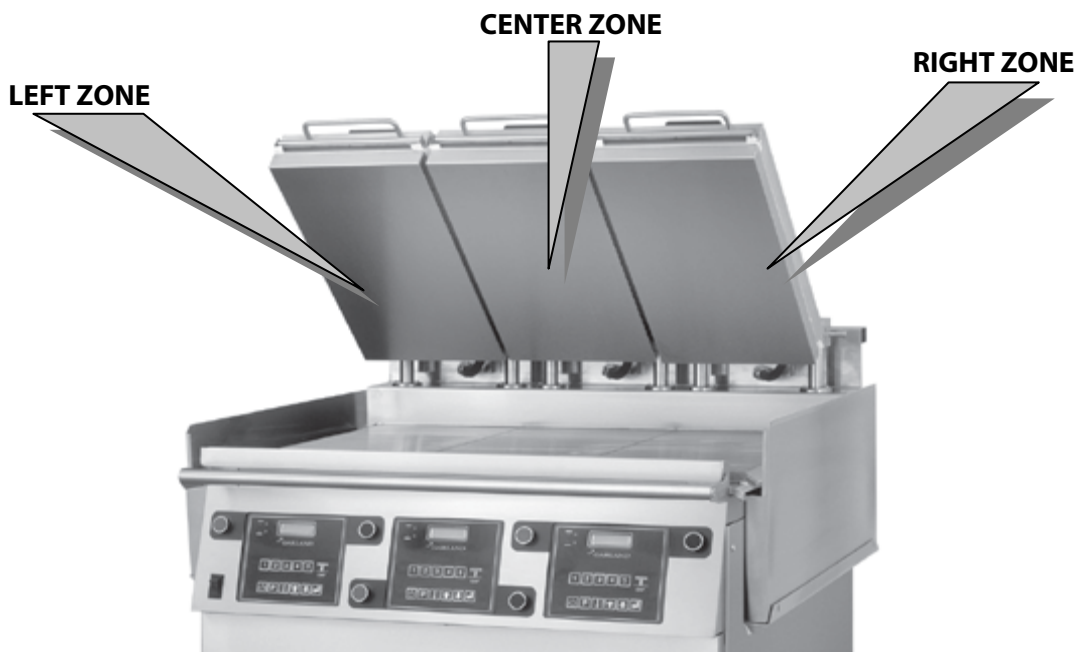


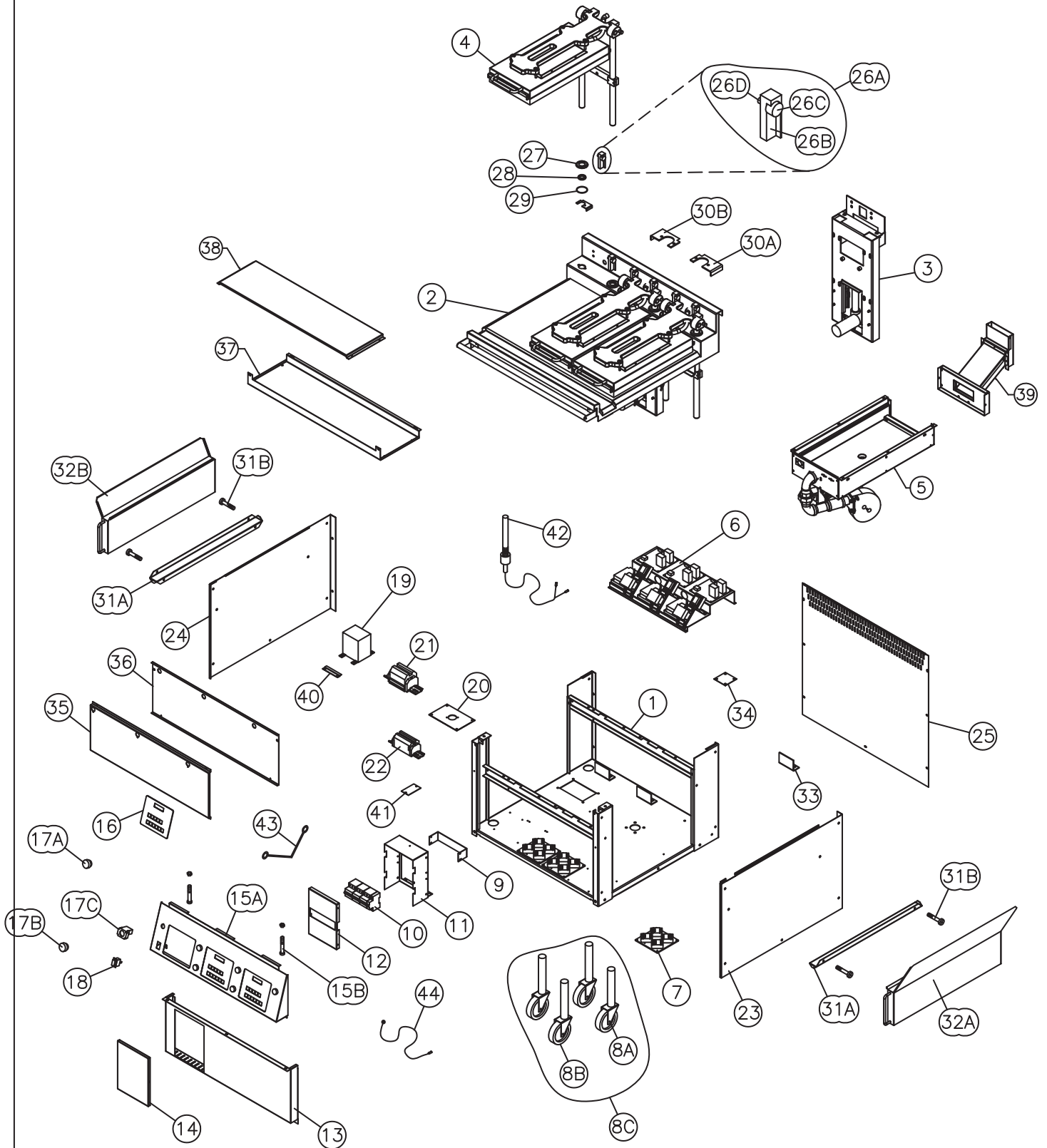
# **MASTER SERIES**

## **XG36-JIB XPRESS GRILL GAS**

### **Contents:**

Gas Xpress Grill Complete View .....	Page 4
Actuator Assembly .....	Page 8
Platen Assembly .....	Page 10
Buner Assembly .....	Page 12
Component Bracket Assembly .....	Page 14
Heat Sink Assembly .....	Page 16
Wiring Harness And Description Where Used .....	Page 18
Accessories And Tools .....	Page 19
Gas Tubing .....	Page 20
Revision History .....	Page 21





XG36 - JIB#1

## GARLAND PARTS IDENTIFICATION

### Gas - Xpress Grill Complete Exploded View - Model: XG36-JIB

ITEM	PART #	DESCRIPTION	QUANTITY	CRITICAL
1	4516058	Body Base Weld Assembly	1	
2	4517657	Plate Weld Assembly	1	
3	Page 8	Actuator Assembly	2	
4	Page 10	Platen Assembly	2	
5	Page 12	Burner Assembly	1 per zone	
6	Page 14	Component Bracket Assembly	1 per zone	
7	Page 16	Heat Sink Assembly	1 per zone	
8A	4516978	Caster, Nonlocking	2	
8B	4517563	Caster, Locking	2	
8C	4520678	Caster Kit - Locking & Nonlocking	1	
9	4516113	Circuit Support	1	
10	<b>4517814</b>	<b>Circuit Brkr, 3 Pole</b>	1	C
11	4516111	Circuit Box	1	
12	4516112	Circuit Cover	1	
13	4516109	Front Panel Lower	1	
14	4516110	Access Door	1	
15A	4516108	Front Panel Upper	1	
15B	8003219	MSCR-PH-PHIL 8-32 X ½ STL ZP	4	
	8001203	Nut - Hex - STL 8-32	4	
	8000202	LKWSH R - SPL-STL 8X1 9/64X3/64	4	
16	<b>4524590</b>	<b>Control</b>	1 per zone	C
17A	1859604	Push Button (Black)	1 per zone	
17B	1859605	Push Button (Green)	1 per zone	
17C	<b>1859606</b>	<b>Contact Block</b>	2 per zone	C
18	<b>1872404</b>	<b>Power Switch</b>	1	C
19	<b>1864001</b>	<b>Main Transformer</b>	1	C
20	1868904	Power Cord Plate (JIB)	1	
21	<b>4525397</b>	<b>Terminal Block, 10Mm</b>	1	C
22	<b>4516981</b>	<b>Terminal Block, 120V</b>	1	C
23	4516105	Body Side, Right	1	
24	4516106	Body Side, Left	1	
25	4517658	Back	1	
26A	4520463	Arm Pivot Block Assembly	2 per zone	
26B	1856802	Arm Pivot Block	2 per zone	
26C	1854902	Cam Follower	2 per zone	
26D	1854903	Jam Nut	2 per zone	
27	4516098	Seal Cap	2 per zone	
28	<b>4524292</b>	<b>Wiper Seal</b>	2 per zone	
29	<b>4525256</b>	<b>O-Ring</b>	2 per zone	
30A	4520408	Seal Cap Bracket Lt	1 per zone	
30B	4520407	Seal Cap Bracket Rt	1 per zone	
31A	4516976	Grease Bucket Support	2	
31B	8000213	Lock Washer - SPL #10X0.334X.047 SS	4	
	8000338	Washer-FLT, 7/32 X 1/2, SS	4	
	8003143	MSCR-TH-PHIL 10-24 X 1-1/4 18-8	4	
32A	4524822	Grease Bucket BA Rt	1	
32B	5424823	Grease Bucket BA Lt	1	
33	4516977	Actuator Base Brace	1 per zone	
34	4517394	Gas Inlet	1	
35	4517593	Front Heat Shield, Outer	1	
36	4517594	Front Heat Shield, Inner	1	
37	4517654	Burner Heat Shield, Lower	1	
38	4517655	Burner Heat Shield, Upper	1	

\* NOT ILLUSTRATED

#### RECOMMENDED STOCK PARTS

## GARLAND PARTS IDENTIFICATION

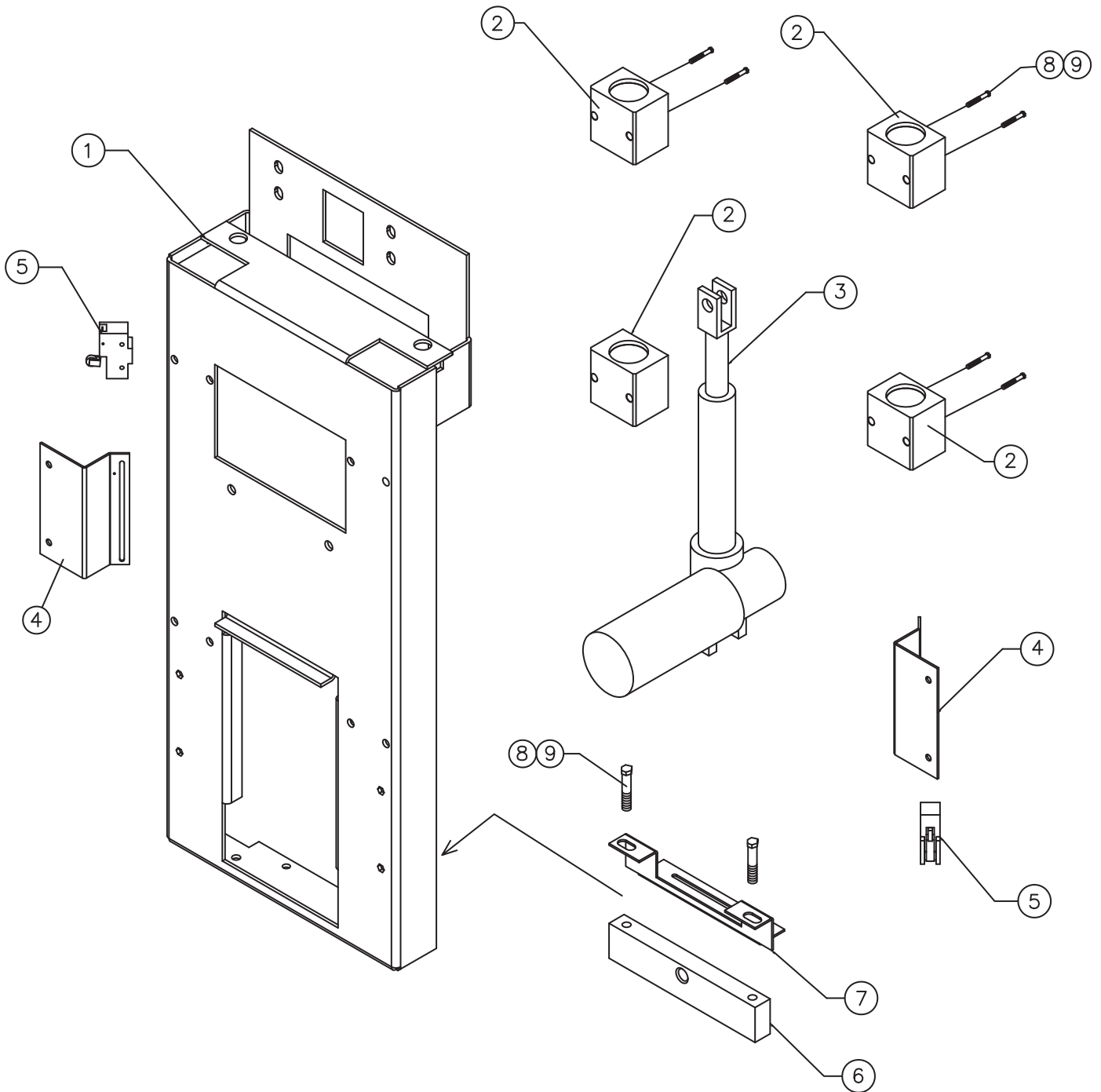
### Gas - Xpress Grill Complete Exploded View - Model: XG36-JIB

ITEM	PART #	DESCRIPTION	QUANTITY	CRITICAL
39	Page 12	Flue Assembly	1 per zone	
40	1869301	Transformer Bracket	1	
41	4516114	Circuit Brace	1	
42	<b>4520578</b>	<b>Grill Plate Thermocouple</b>	1 per zone	C
43	1866103	Strain Relief Wire 12.5"	2	
44	1866101	Ground Wire 24"	1	

\* NOT ILLUSTRATED

**RECOMMENDED STOCK PARTS**

## **NOTES**



XG36-JIB#2

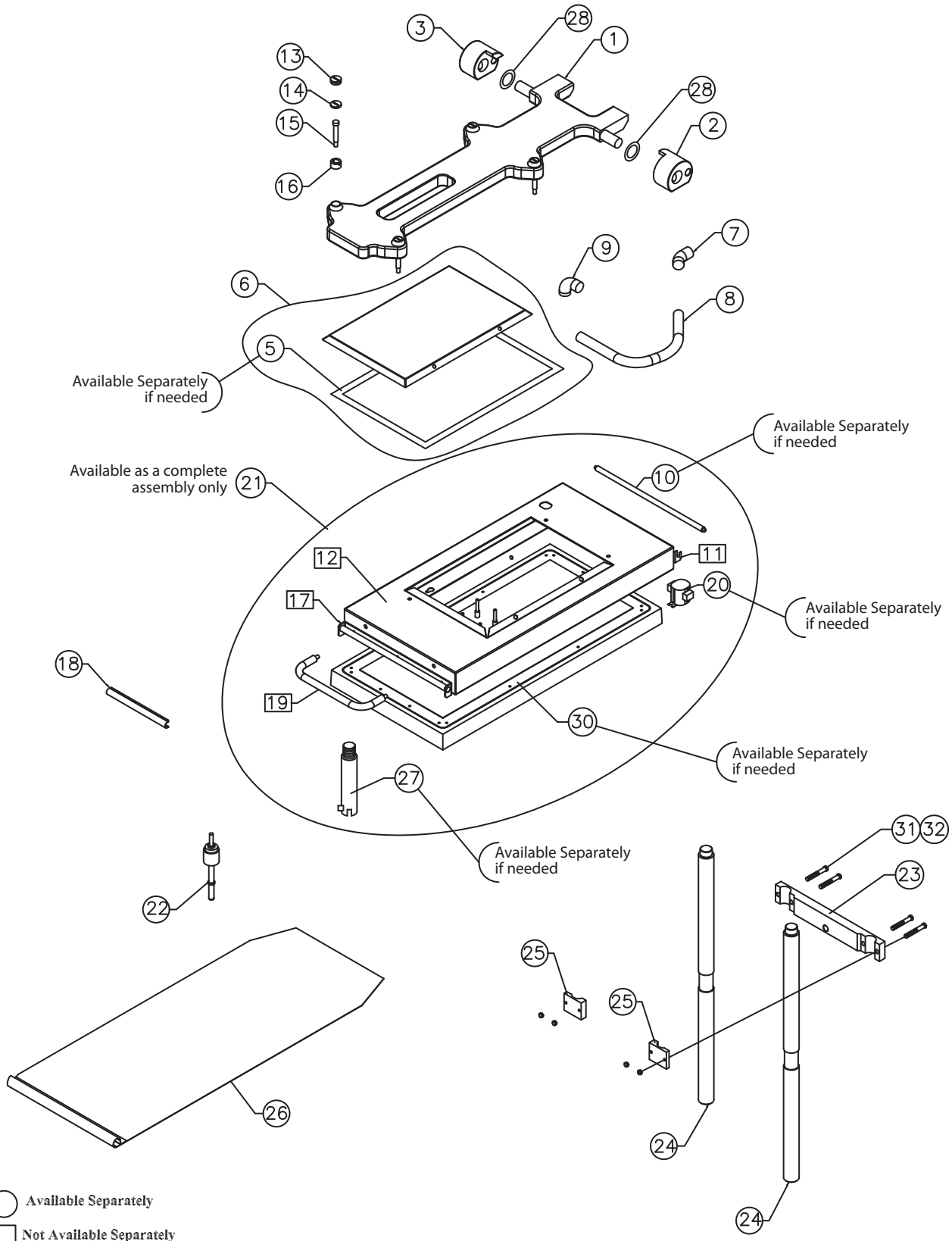


**GARLAND PARTS IDENTIFICATION**  
**GAS - XPRESS GRILL ACTUATOR ASSEMBLY VIEW - MODEL: XG36-JIB**

ITEM	PART #	DESCRIPTION	QUANTITY	CRITICAL
1	4516080	Actuator Frame Wa	1	
2	4518156	Pillow Block Assembly	4	
3	<b>4525541</b>	<b>Linear Actuator</b>	1	C
4	1857601	Switch Bracket	2	
5	<b>1855601</b>	<b>Upper/Lower Platen Limit Switch</b>	2	C
6	4518787	Actuator Mount Block (Painted)	1	
7	4516097	Actuator Base Bracket	1	
8	8003424	1/4" - 20 X 2.250" Shoulder Bolts	8	
9	8000306	1/4" Lock Washer	8	

\* NOT ILLUSTRATED

**RECOMMENDED STOCK PARTS**



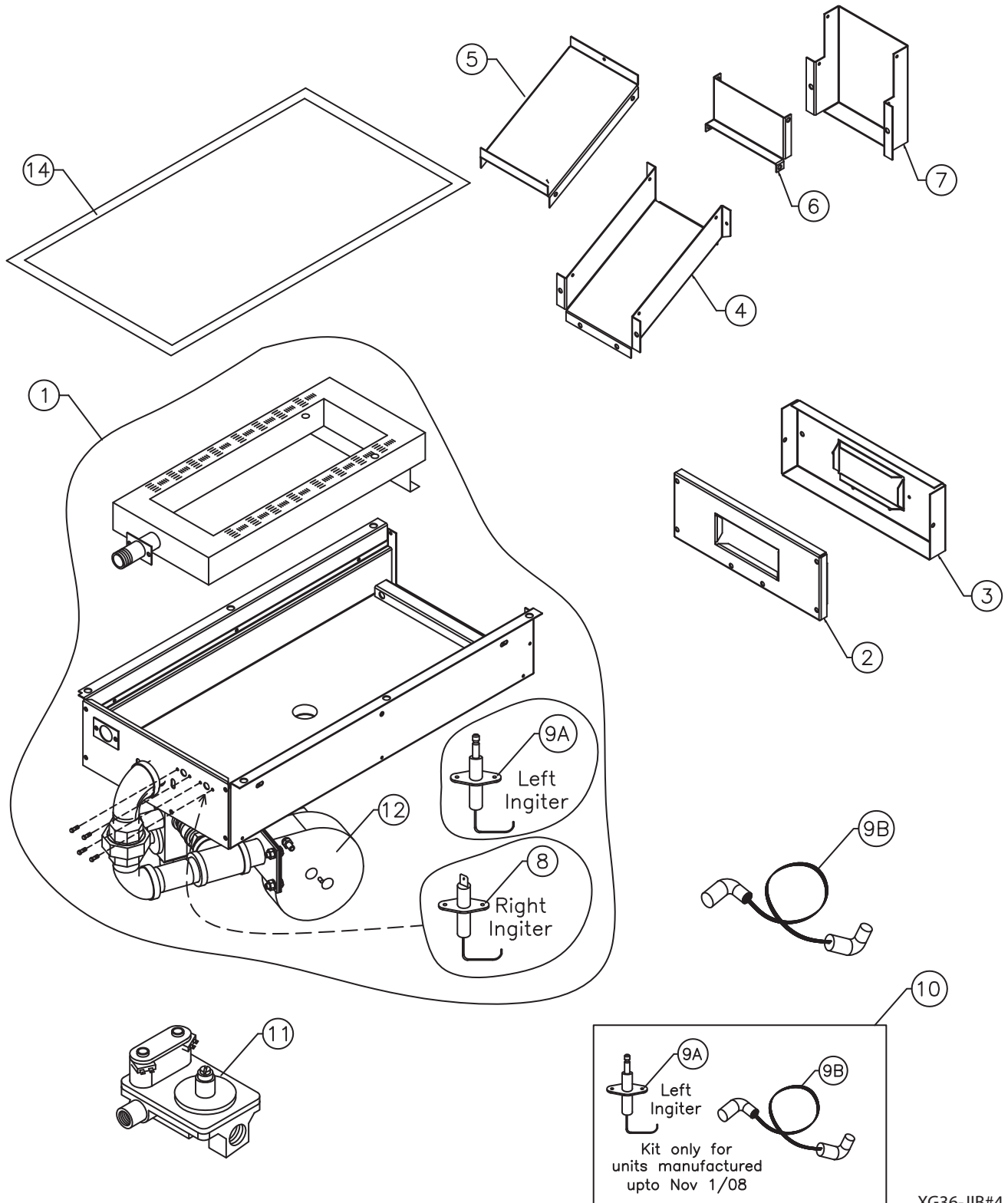
## GARLAND PARTS IDENTIFICATION

### Gas - Xpress Grill Platen Assembly View - Model: XG36-JIB

ITEM	PART #	DESCRIPTION	QUANTITY	CRITICAL
1	4516085	Platen Arm	1	
2	4520422	Carriage Block, Assembly, Rt	1	
3	4520423	Carriage Block, Assembly, Lt	1	
5	4522581	1/16 TH Silicone Gasket	3.5 Ft	
6	4516092	Platen Lid	1	
7	4517021	3/8 Connector, 45 Deg	1	
8	<b>4517022</b>	<b>Platen Conduit</b>	1	
9	4517020	3/8 Connector, 90 Deg	1	
10	4517008	Teflon Bar, Rear	1	
11	4516094	Teflon Holder, Rear (Not Available Separately) Note: Not Field Replaceable	1	
12	4516091	Platen Cowl (Not Available Separately)	1	
13	<b>1859102</b>	<b>Platen Adjuster Cap</b>	4	
14	<b>1859103</b>	<b>Platen Lock Nut</b>	4	
15	<b>8005401</b>	<b>Shoulder Bolt</b>	4	
16	<b>1859101</b>	<b>Platen Adjuster Nut</b>	4	
17	4516093	Teflon Holder, Front (Not Available Separately) Note: Not Field Replaceable	1	
18	<b>1851301</b>	<b>Teflon Clip</b>	1	C
19	1859501	Upper Platen Handle (Not Available Separately)	1	
20	<b>1781301</b>	<b>Hi Limit - Auto Reset</b>	1	C
21	<b>4519752</b>	<b>Platen Assembly Complete 208V</b>	1	C
	<b>4519755</b>	<b>Platen Assembly Complete 240V</b>	1	C
22	<b>1859401</b>	<b>Platen Thermocouple</b>	1	C
23	4516089	Cross Member	1	
24	4516084	Actuator Shaft	2	
25	4516090	Cross Member Bracket	2	
26	<b>1799303</b>	<b>Teflon Sheet</b>	2	C
27	1859402	Grill Plate/Platen Bayonet Adapter	1	
28	1855903	Teflon Washer Small	2	
30	1937701	Goretex GSKT Tape .75W .065T	5.5 Ft.	
31	8003423	Mscr-HH-Grd5 1/4-20x1-1/4Stl 2 (to attach #23 & #25)	4	
32	8000203	Lkwshr - SPL 1/4 x 1/2 x 1/16 Stl 2P (to attach #23 & #25)	4	

\* NOT ILLUSTRATED

**RECOMMENDED STOCK PARTS**



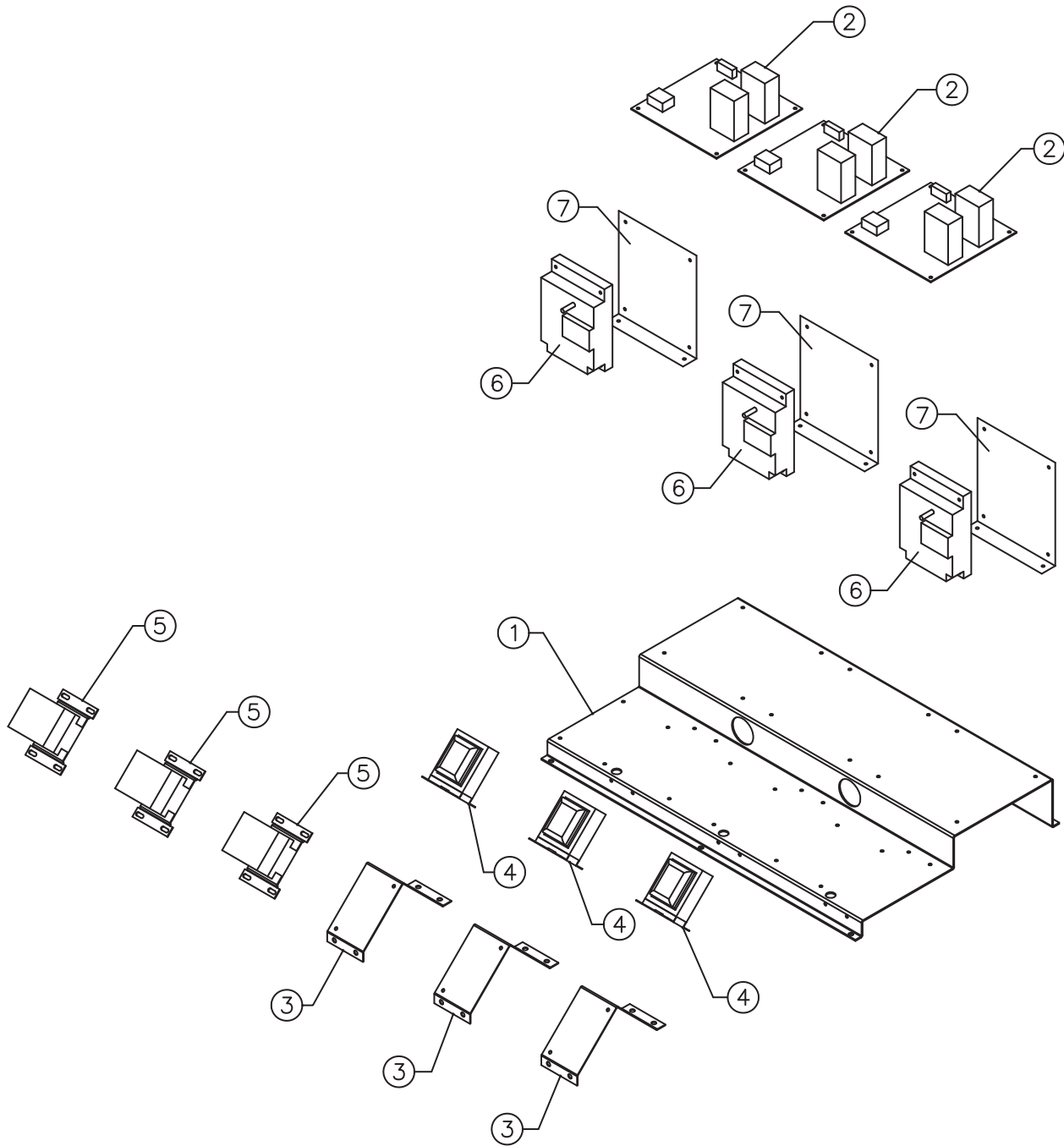
## GARLAND PARTS IDENTIFICATION

### Gas - Xpress Grill Burner Assembly View - Model: XG36-JIB

ITEM	PART #	DESCRIPTION	QUANTITY	UP TO	FROM	CRITICAL
1	4517403	Burner Assembly, Lp	1			C
	4517462	Burner Assembly, Nat	1			
2	4517396	Flue Box, Inner	1			
3	4517397	Flue Box, Outer	1			
4	4517398	Flue Bottom	1			
5	4517399	Flue Top	1			
6	4517401	Flue Riser, Inner	1			
7	4517400	Flue Riser, Outer	1			
8	4524066	<b>Igniter</b>	2 (See Note)	1-Nov-08		C
			1		2-Nov-08	
		<b>Note: If left igniter needs replacement - order kit item# 10</b>				
9A	4525537	<b>Electrode Igniter - Rajah</b>	1		2-Nov-08	C
9B	1864803	<b>Ignition Cable</b>	1		2-Nov-08	C
10	4525538	<b>Service Kit Igniter &amp; Igniter Cable - Spark Plug Type Included item # 9A &amp; 9B Units Manufactured Up To Nov 1/08 will required Kit</b>	1	1-Nov-08		
11	1864701	<b>Gas Valve - Nat</b>	1			C
12	4525845	Blower / Motor 120V	1			
14	WFT125750	1/8 x 3/4 Woven FG Tape W/PSA	5.5 Ft			

\* NOT ILLUSTRATED

**RECOMMENDED STOCK PARTS**



XG36 - JIB#5

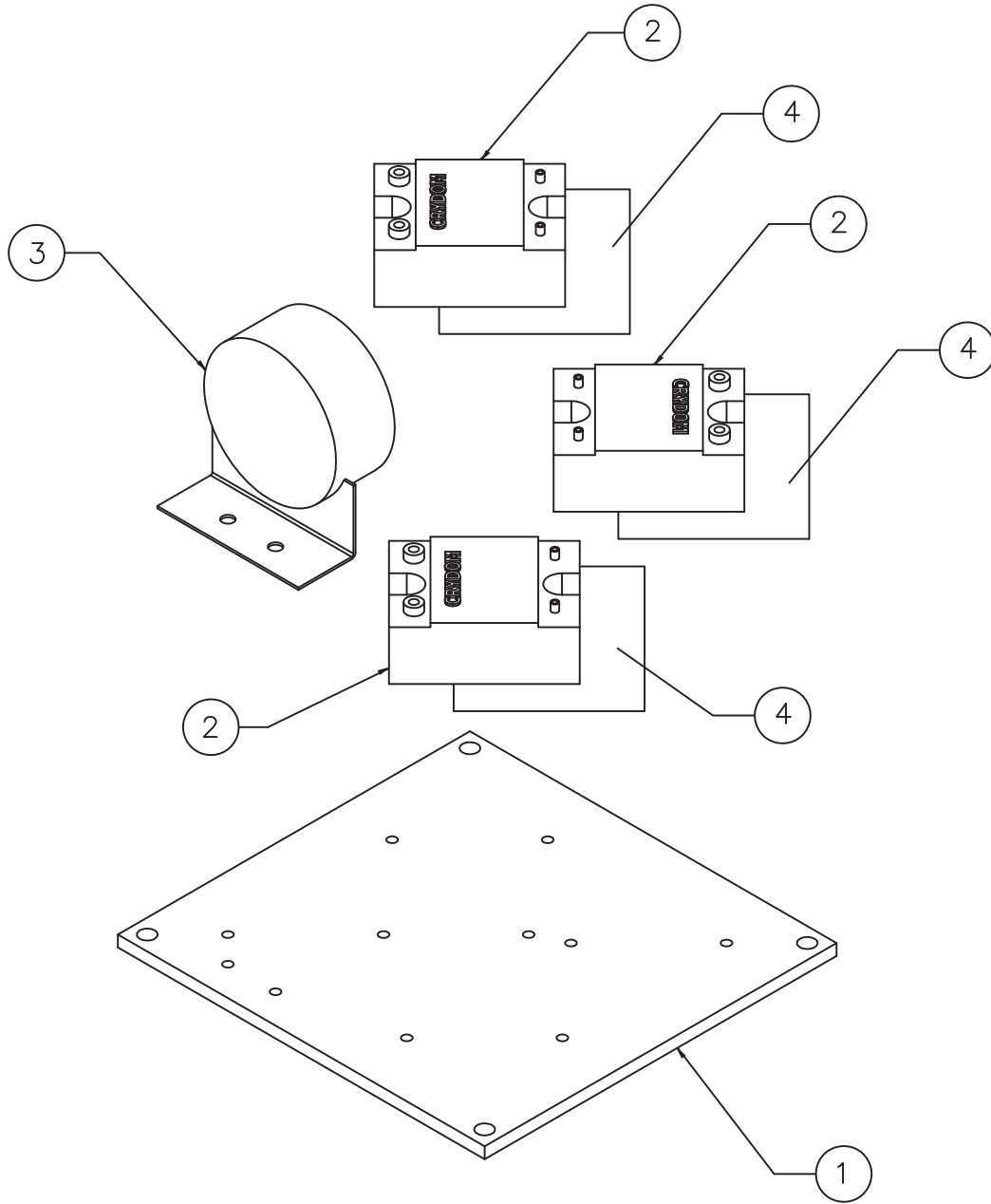
## GARLAND PARTS IDENTIFICATION

### Gas - Xpress Grill Component Bracket Assembly View - Model: XG36-JIB

ITEM	PART #	DESCRIPTION	QUANTITY	CRITICAL
1	4516078	Component Mounting Bracket	1	
2	<b>4516989</b>	<b>Motor Speed Control</b>	3	C
3	4516079	Contactactor Bracket	3	
4	<b>1269800</b>	<b>24 Volt Transformer</b>	3	C
5	<b>1637001</b>	<b>Contactactor</b>	3	C
6	1864901	Ignition Module	3	
7	1865901	Ignition Module Bracket	3	

\* NOT ILLUSTRATED

**RECOMMENDED STOCK PARTS**



XG36-JIB#6



## GARLAND PARTS IDENTIFICATION

### Gas - Xpress Grill Heat Sink Assembly View - Model: XG36-JIB

ITEM	PART #	DESCRIPTION	QUANTITY	CRITICAL
1	4516116	Heat Sink	1 Per Zone	
2	<b>4516988</b>	<b>Relay</b>	3	C
3	4517392	Pressure Switch	1	
4	1811903	Thermal Interface MAT	3	

\* NOT ILLUSTRATED

**RECOMMENDED STOCK PARTS**

## GARLAND PARTS IDENTIFICATION

### Gas - Xpress Grill Wire Harness And Description Where Used - Model: XG36-JIB

ITEM	PART #	DESCRIPTION & LOCATION	QUANTITY	CRITICAL
1*	1859850	<b>Description:</b> 120V Harness <b>Location:</b> Motor Speed Control, 120 volt side of 120/24 volts transformer, Power to Actuator, 120 volts terminal block.	1	C
2*	1859851	<b>Description:</b> CB Contactor Harness <b>Location:</b> Circuit Breakers, Contactors, high Voltage side of SSR's for Platens, 120 volt terminal block.	1	C
3*	1859852	<b>Description:</b> XMFR Harness <b>Location:</b> Main Power Circuit Breaker, Main Power Switch, 240/1 20 volt Transformer, 120 volt Terminal Block, Main Terminal block	1	C
4*	1859853	<b>Description:</b> Control Harness <b>Location:</b> Low Voltage side of SSR's, 24 volt out put on 120/24 volt transformer, encoder, upper/lower Limit Switches, Main Control, Motor Speed Control, Green and Black push Buttons	3	C
5*	1859854	<b>Description:</b> Ignition Harness <b>Location:</b> Pressure Switch, Ignition Module, Gas Valve, Main Control, Blower Motor, 120 volt Terminal Block.	1	C
6A*	1859855	<b>Description:</b> Platen Harness P1 Connector to the Platen Elements.	3	C
6B*	0007500FS	Fibreglass Sleeving Must replace with item 6A	3	C
7*	1859860	<b>Description:</b> Switch Harness Green and Black button Harness one per zone.	3	C
8*	1859829	<b>Description:</b> Contactor Jumper Harness Straight leads from terminal Block to Circuit Breakers	1	C
9*	1859810	<b>Description:</b> Power Switch Harness <b>Location:</b> Main Power Switch to Connector S3.	1	C
10*	4525505	Cord and Plug Assy, NEMA 15-50	1	

\* NOT ILLUSTRATED

**RECOMMENDED STOCK PARTS**

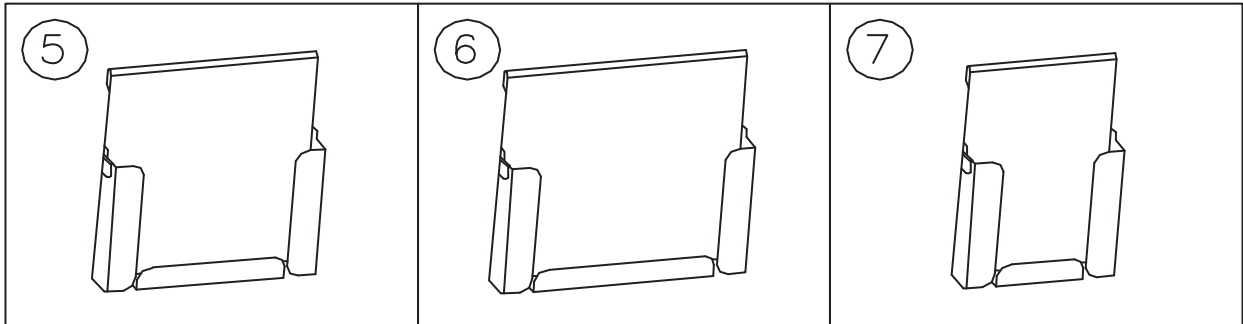
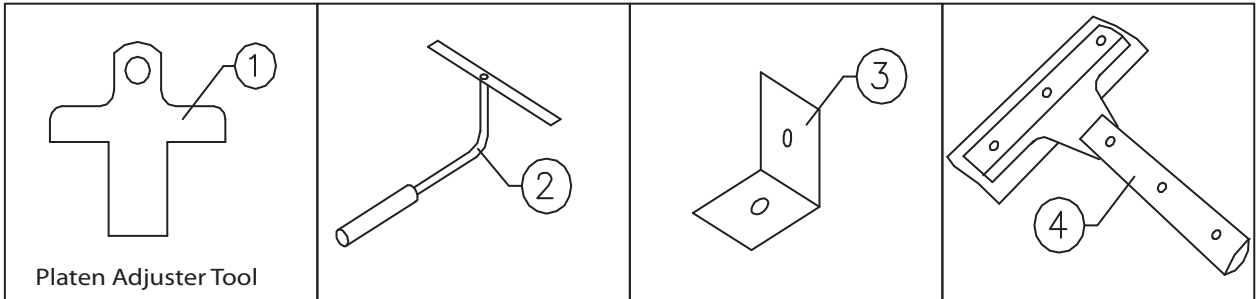
## GARLAND PARTS IDENTIFICATION

### Gas - Xpress Grill Accessories And Tools - Model: XG36-JIB

ITEM	PART #	DESCRIPTION	QUANTITY	CRITICAL
1	4523323	Platen Adjuster Tool		
2	4525560	Teflon Tool		
3	1838701	Platen Leveling Tool CK		
4	1868201	Grill Wiper		
5	4526114	Tool Holder for Scraper		
6	4526115	Tool Holder for Wiper		
7	4526113	Tool Holder for Spatula		

\* NOT ILLUSTRATED

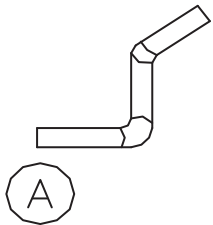
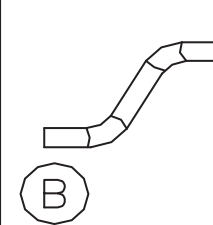
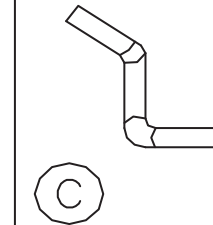
#### **RECOMMENDED STOCK PARTS**

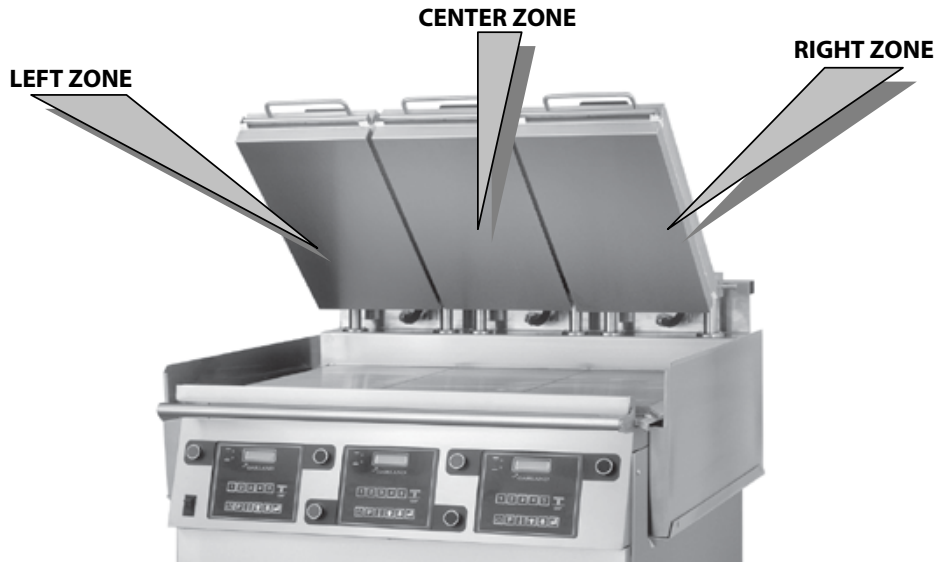


Gas - Xpress Grill Gas Tubing - Model: XG36-JIB				
ITEM	PART #	DESCRIPTION	QUANTITY	CRITICAL
A	4517378	Tubing, Left - (Location, left zone)	1	
B	4517377	Tubing, Center - (Location, center zone)	1	
C	4517376	Tubing, Right - (Location, right zone)	1	

\* NOT ILLUSTRATED

**RECOMMENDED STOCK PARTS**

Left Zone	Center Zone	Right Zone
		



## GARLAND PARTS IDENTIFICATION

### Revision History

REV. #	PAGE #	ITEM #	NOTE	DATE
			Parts List Book Released	Oct 27/08
1	4		New Drawing	Nov 24/08
	5	3,4,5	Quantity Changed – Was 2 All Three	
		26A	Quantity Changed – Was 1 Per Zone	
		26B, 26C	Part # Changed 26B Was 1856801, 26C Was 1354902, Quantity Changed - Was 6	
		26D	Quantity Changed - Was 2	
		43	Description Changed - Was Ground Wire 12-1/2" (Strain Relief) - Quantity Changed, Was 1	
		44	New Part Number Added	
	9	2	Quantity Changed - Was 4 Per Zone	
		3	Part Number Changed - Was 1812401, Description Changed - Was Actuator	
	10		New Drawing	
	11	5	Description Changed - Was Silicone Gasket	
			Quantity Changed - Was 1	
		21	Part # Deleted - Was 4519753 Platen Assembly Complete 220V	
		26	Quantity Changed - Was 1	
		30	New Part Number	
			Item 33 Moved to Page 18	
		28	Quantity Changed Was 2 Per Zone	
		31,32	Quantity Changed Was 4 Per Zone	
	12		New Drawing	
13	10	Part Number Changed - Was 4517967		
	14	New Part Number Added		
18		New Page With Wiring Harness		
19		New Page – Accessories And Tubing Transferred To This Page		
2	5	28	Part number changed - was 4517006	Dec 11/08
	12		New Drawing	
	13		Up To & From Columns Added	
		8	Note Added Under Description And Dates	
		9A	Item Number Changed - Was 9	
		9B	Item Number Changed - Was 10	
		10	New Part Number Added	
		13	Item # Removed - Was 13511 (Screw, Hxsltcsr 8-32 X .312) Qty: 4	
	14		New Drawing	
	15	7	New Part Number Added	
19	2	Part Number Changed - Was 4525561		
3	10		New Drawing	Feb 6/09
	11	11,17	Note Added	
	19	4,5,6,7	Part Number Added	
	20		New Page Added – Content was on Page 19	
	3		Index Updated, Gas Tubing, Page 20 Added	

## **NOTES**

## **NOTES**

