



Designer Series Gas Hot Plate

Item: _____
 Quantity: _____
 Project: _____
 Approval: _____
 Date: _____

Designer Series Gas Hot Plate

Models:

- GD-152H GD-152HFF GD-304H GD-304HFF



Model GD-152H

Standard Features:

- Stainless steel front and sides
- 4" (102mm) Sanitary legs
- Easy clean design
- 18" (457mm) deep cooking surface
- Piezo spark ignition
- Rear gas connection w/pressure regulator
- Natural or propane gas
- 15" (381mm) or 30" (762mm) widths
- Two or four open burners, one valve per open burner
- 14,800 BTU per burner
- "CE" approved models are equipped with Flame-Failure protection and have suffix "FF"

Optional Features:

- Stainless steel back and bottom

Note : Stands are available see form # CS24/CSD

Specifications:

Gas designer series hot plates, 15" (381mm) Wide, GD-152H, two open burners and 30" Wide (762mm) GD-304H, four open burners. Designed as free standing or to be banked with other GD series equipment. 24" (610mm) deep x 11-1/4" (286mm) high, easy clean design with stainless steel front and sides. Piezo spark ignition, natural or propane gas, 14,800 BTU input per burner. "CE" approved models are equipped with Flame-Failure protection and have suffix "FF".



Garland Commercial Ranges Ltd.
 1177 Kamato Road,
 Mississauga, Ontario
 L4W 1X4 CANADA

General Inquires 1-905-624-0260
 USA Sales, Parts and Service 1-800-424-2411
 Canadian Sales 1-888-442-7526
 Canada or USA Parts/Service 1-800-427-6668



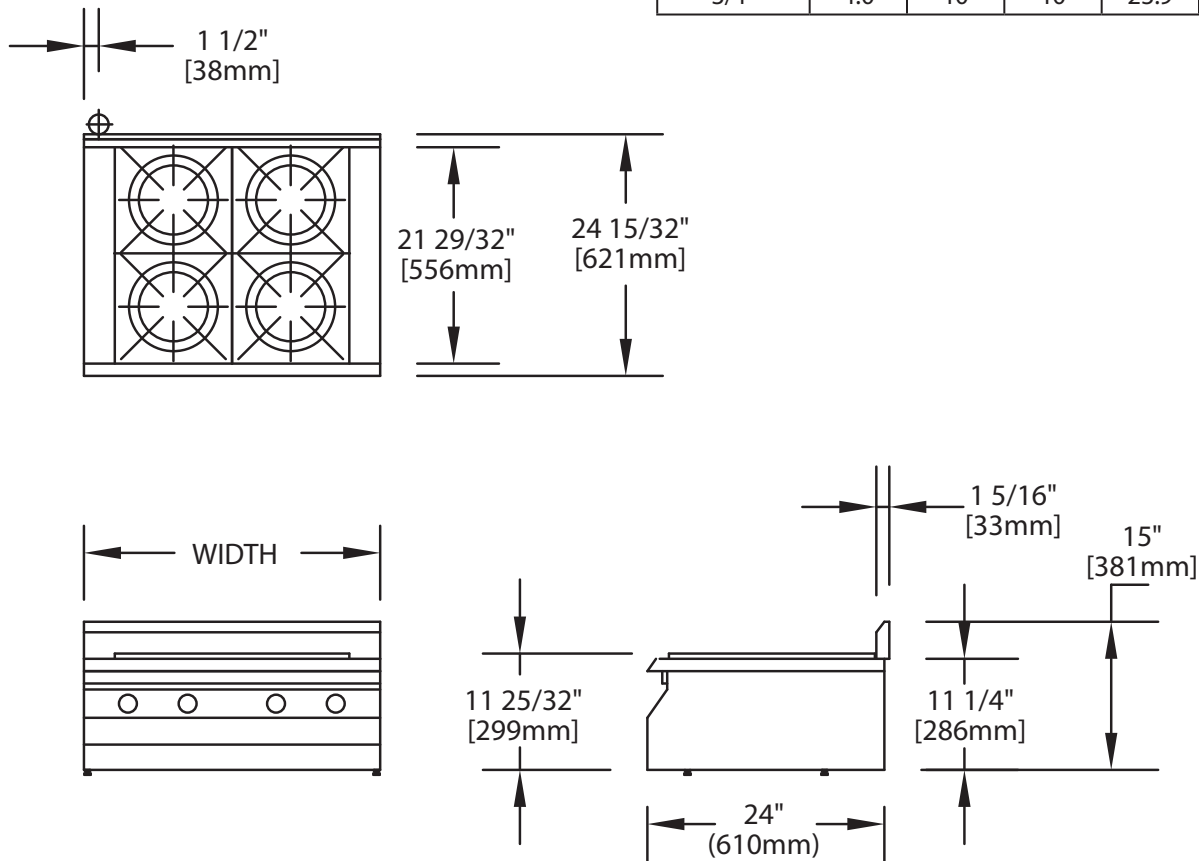
| MODEL | No Burners | Overall Dimensions | | | Total Input BTU/Kw | Cu. FT. | Ship Wt Lb/kg |
|--------------|------------|--------------------|-----------------|-------------|--------------------|---------|---------------|
| | | Width | Height | Depth | | | |
| GD-15H (FF) | 2 | 15" (381mm) | 11-1/4" (286mm) | 24" (610mm) | 29,600/8.67 | 5 | 70/32 |
| GD-304H (FF) | 4 | 30" (761mm) | 11-1/4" (286mm) | 24" (610mm) | 59,200/17.34 | 9 | 125/57 |

Gas Input ratings shown here are for installations up to 2,000 ft. (610m) above sea level. Specify altitudes over 2,000 ft.

Garland products are not approved or authorized for home or residential use, but are intended for commercial applications only. Garland will not provide service, warranty, maintenance or support of any kind other than in commercial applications.

| Clearances To Combustible Wall | | Type of Floor or Base |
|--------------------------------|------------|-----------------------|
| Sides | Back | |
| 6" (152mm) | 6" (152mm) | Combustible |

| Manifold Inlet Size NPT | Manifold Operating Pressure | | | |
|-------------------------|-----------------------------|------|---------|------|
| | Natural | | Propane | |
| | "WC | mbar | "WC | mbar |
| 3/4" | 4.0 | 10 | 10 | 23.9 |



Form# GD152HGD304H (08/23/11)