



# G24 Series Heavy Duty Gas Hot Plate

Item: G24-15H

Quantity: \_\_\_\_\_

Project: \_\_\_\_\_

Approval: \_\_\_\_\_

Date: \_\_\_\_\_

G24 Series Heavy Duty Gas Hot Plate

Models:

G24-15H



Model G24-15H

### Standard Features

- Stainless steel front
- Black power coat epoxy sides.
- 4" (102mm) stainless steel legs
- Heavy-duty porcelain enamel ring and top rates
- Gas input - 29,000 BTUs

### Options & Accessories

- Stainless steel sides
- Stainless steel back

Note : Stands are available see form # CS24/CSD

### Specifications:

Garland has designed this heavy-duty hot plate to give you the features for high-volume operations. 15" (381mm) wide x 11-1/8" (283mm) high x 30-3/4" (781mm) deep, heavy-duty porcelain enamel rings and top, stainless steel front with black coat epoxy sides. Individual valves for better flexibility control each burner.



Garland Commercial Industries, LLC  
 185 East South Street  
 Freeland, PA 18224  
 Phone: (570) 636-1000  
 Fax: (570) 636-3903

Garland Commercial Ranges Ltd  
 1177 Kamato Road,  
 Mississauga, Ontario  
 L4W 1X4 CANADA  
 Phone: 905-624-0260  
 Fax: 905-624-5669



Dimensions				
Model	Description			
	Controls	Height	Width	Depth
G24-15H	2 Valves	11-1/8" (293mm)	15" (381mm)	30-3/4" (781mm)

Supply Operating Pressure		Manifold Operating Pressure		Input Rating
				BTU/Hr
Natural Gas	Propane	Natural Gas	Propane	Natural
7" WC (17.5 mbar)	11" WC (27.5 mbar)	4" WC (10 mbar)	10" WC (24 mbar)	29,000

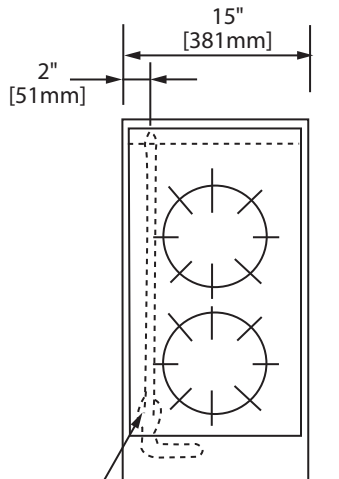
Note: For use with Natural & L.P Gas only

Ratings shown are for natural gas installations up to 2000 feet (610m) above sea level. BTU input ratings must be de-rated for high altitude installations. Specify altitude of product if over 2000 feet (610m)

NOTE: Many local codes exist, and it is the responsibility of the Owner and the Installer to comply with those codes.

Combustible Wall Clearances		
Sides	Back	Base
6" (152mm)	6" (152mm)	Non-combustible

NOTE: Installation clearance reductions are applicable only where local codes permit

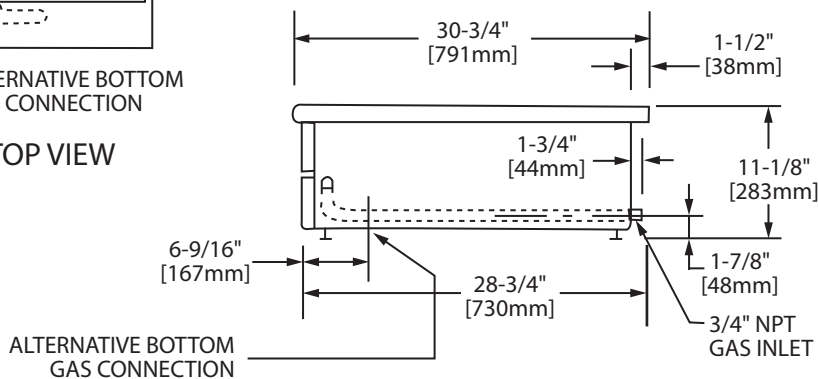


ALTERNATIVE BOTTOM GAS CONNECTION

TOP VIEW

Garland products are not approved or authorized for home or residential use, but are intended for commercial applications only. Garland will not provide service, warranty, maintenance or support of any kind other than in commercial applications. Garland reserves the right to change or improve our specifications without notification.

NOTE:  
Add 3" to 4-3/8" [76mm to 111mm] to height if Sanitary legs are used.



SIDE VIEW

Form# G24-15H (07/08/09)