



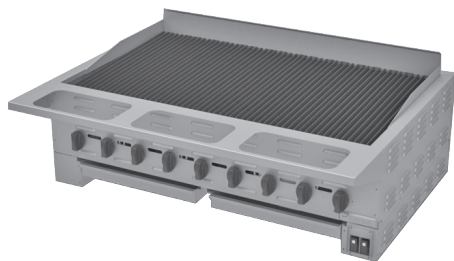
High Efficiency HEEG Radiant Char-Broiler

Item: _____
 Quantity: _____
 Project: _____
 Approval: _____
 Date: _____

High Efficiency HEEG Radiant Char-Broiler

Models:

- HEEG-24CL HEEG-36CL HEEG-48CL HEEG-60CL



Model HEEG-48CL



Model HEEG-36CL

Standard Features:

- Stainless steel exterior and front rail with cut outs to hold 1/3 size food pans (pans not included)
- Heavy duty removable cast iron grates, reversible with wide brand edge on one side & fine edge on the other.
- Large capacity, removable drip pans/water pans
- Cast iron energy efficient burners with each burner having a cast iron radiant
- Complete system on/off power switch(s), which operate main gas burner ignition & main burner shut down: HEEG-24CL & 36CL models have one switch HEEG-48CL and 60CL have two
- Each burner, rated 13,500 BTU for natural gas, is individually

controlled by a two position hi-lo valve

- 3/4" gas regulator
- 6' cord & NEMA 5-15P plug
- Wire broiler rack cleaning brush

Optional Features:

- 1/9 food pan cut outs, 5 3/8" solid, or 2 1/2" stub solid front rail in lieu of front rail with 1/3 food pan cut outs, N/C
- Single sided heavy duty removable cast iron grate in lieu of standard broiler grates, N/C
- Fajita pan rack holder in lieu of two broiler rack sections, N/C

NOTE: Broiler may be required to be silicone sealed onto noncombustible work surfaces for NSF requirements to meet local agency approvals. Stands are available see form HEST.

Specifications:

Shall be Garland High Efficiency (HE) Char-Broiler, Model _____ with total BTU/hr rating of _____ when used with natural gas. Finish is to be stainless steel exterior and front rail with 1/3 size food pan cut outs. Available in 24" (610mm) [HEEG-24CL], 34" (864mm) [HEEG-36CL], 48" (1219mm) [HEEG-48CL] and 58" (1473mm) [HEEG-60CL] widths.



Model #	Dimensions: In. (mm)			No. Of Burners	Total BTU*		Shipping
	Width	Depth	Height		Natural	Propane	Weight Lbs/Kg
HEEG-24CL	24 (610)	38-1/16 (967)	18-1/16 (458)	4	54,000	48,000	338/153
HEEG-36CL	34 (864)	38-1/16 (967)	18-1/16 (458)	6	81,000	72,000	391/177
HEEG-48CL	48 (1219)	38-1/16(967)	18-1/16 (458)	9	121,500	108,000	505/229
HEEG-60CL	58 (1473)	38-1/16 (967)	18-1/16 (458)	11	148,500	132,000	620/281

* Manifold operating pressure as per table shown below

Gas Manifold 3/4" NPT on all models

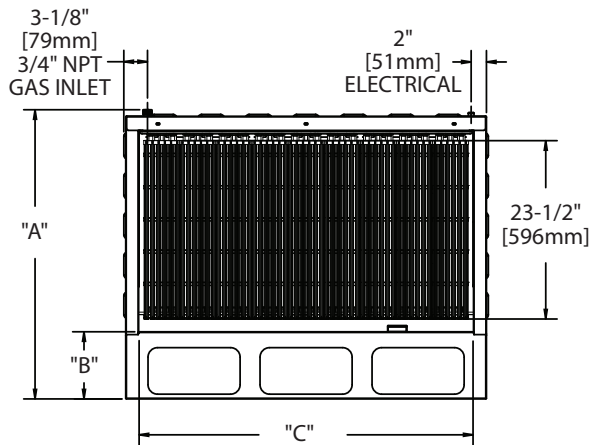
Gas Input ratings shown here are for installations up to 2000 ft. (610m)

Models	Manifold Operating Pressure		Minimum Supply Pressure		Clearance	
	"w.c.(Mbar)		"w.c.(Mbar)		Non Combustible Material	
	Natural Gas	Propane	Natural Gas	Propane	Rear	Sides
All Models	4.5 (11.2)	10.0 (25)	7.0(17.4)	11 (27.5)	0"	0"

Garland/U.S. Range products are not approved or authorized for home or residential use, but are intended for commercial applications only. Garland / U.S. Range will not provide service, warranty, maintenance, or support of any kind other than in commercial applications.

Many local codes exist and it is the responsibility of the owner and installer to comply with those codes.

Depth Measurements all models In (mm)		
Front Rail Option	Over All "A"	Rail "B"
With/ 1/3 Pan Cutouts	38-1/16 (967)	8-7/8 (225)
With/1/9 Pan Cutouts	35-5/8 (905)	6-3/8 (162)
Std. Rail (No Cutouts)	34-5/8 (879)	5-3/8 (137)
Stub Rail (No Cutouts)	31-3/4 (806)	2-1/2 (64)

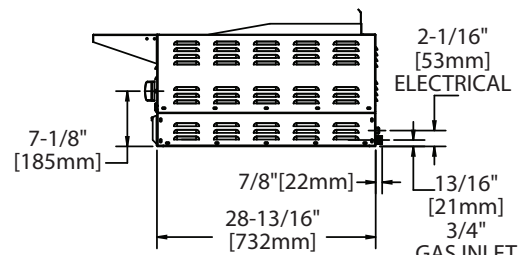
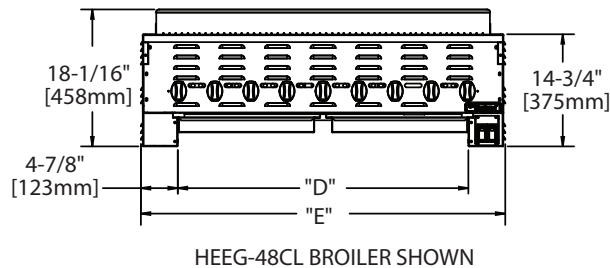


Width Measurements In (mm)			
Model	Broiler Grid "C"	"D"	Over All "E"
HEEG-24CL	20 (507)	14-1/4 (362)	24 (610)
HEEG-36CL	30 (761)	24-1/4 (616)	34 (864)
HEEG-48CL	44 (1117)	36-1/4 (972)	48 (1219)
HEEG-60CL	54 (1371)	48-1/4 (1226)	58 (1473)

Electrical : 120V, 60 Hz, 1A

Provided with NEMA 5-15P Power Cord Supply

NOTE: Wiring Diagram is located in left side of broiler's leg section.



Form# HEEG-24-36-48-60 (08/16/11)